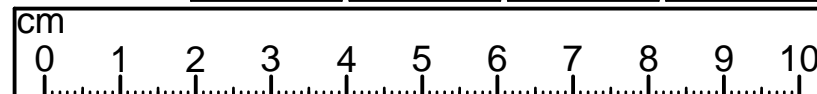
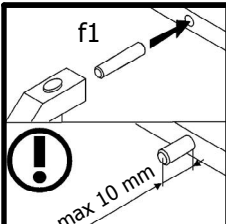
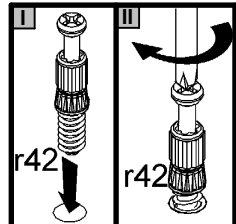
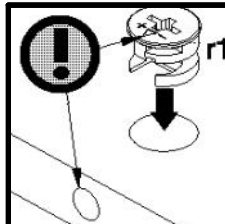
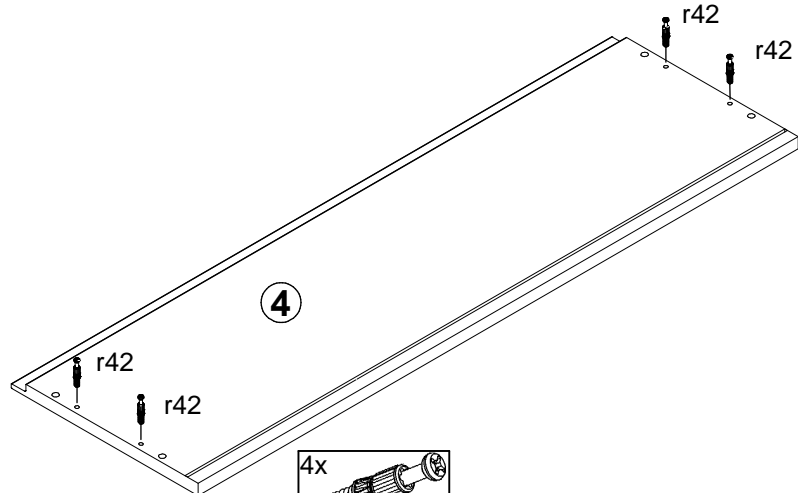
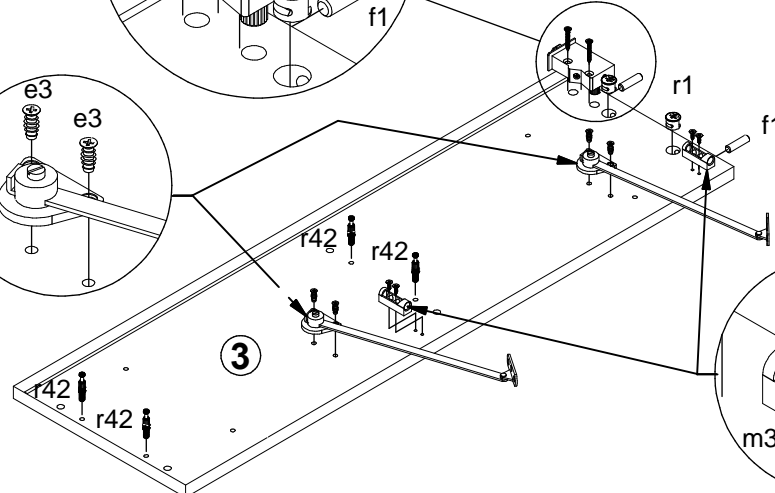
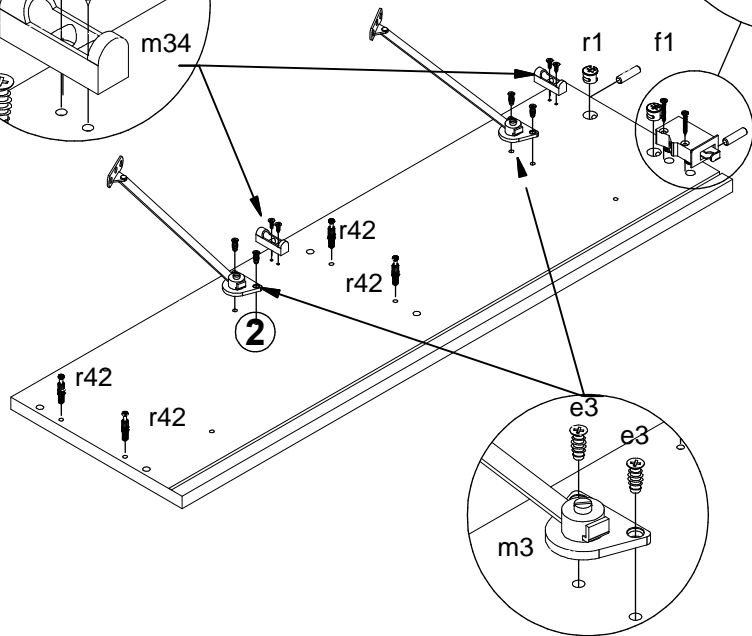
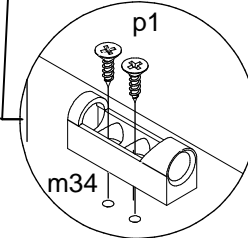
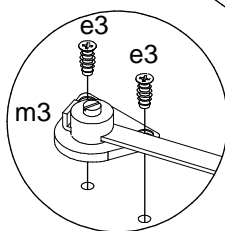
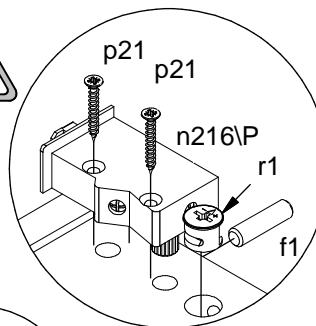
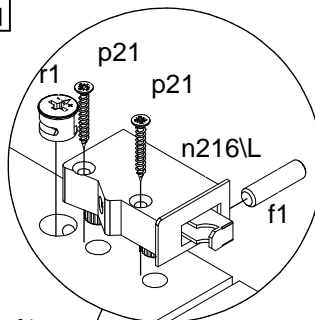
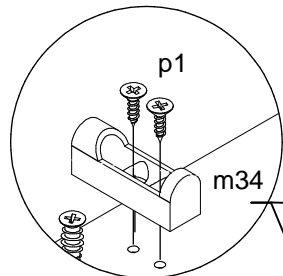
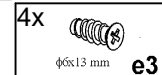
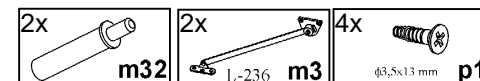
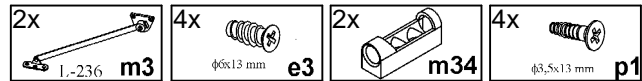
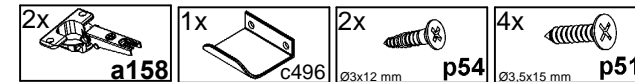
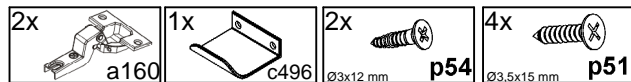
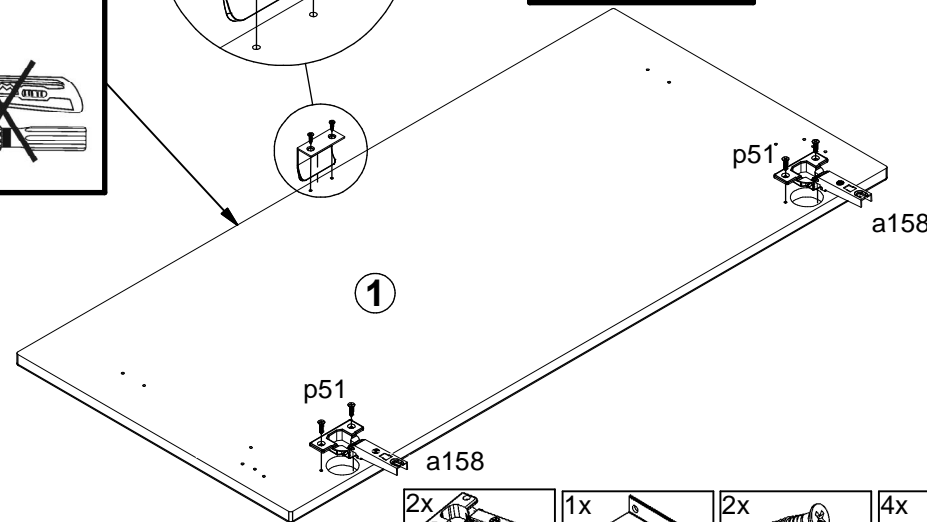
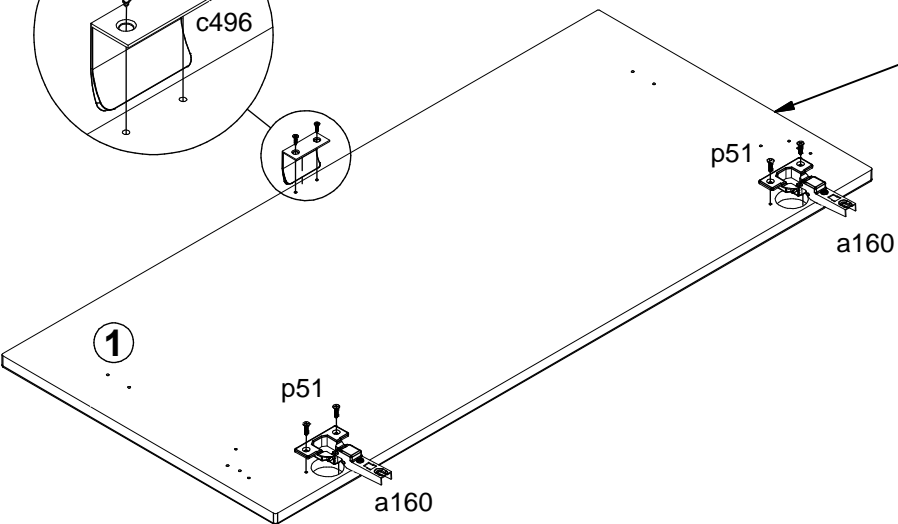
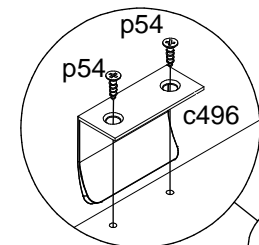
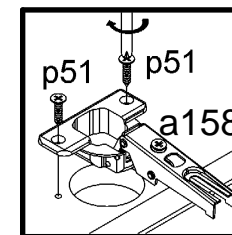
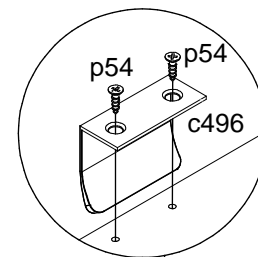
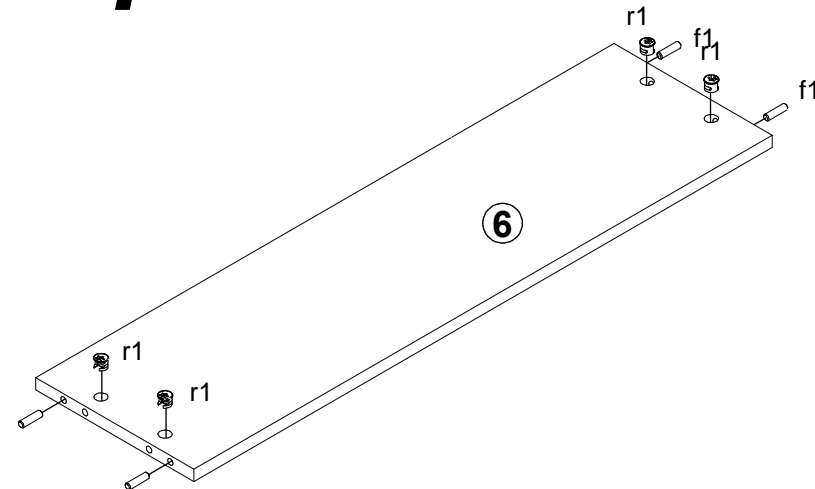
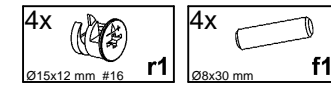
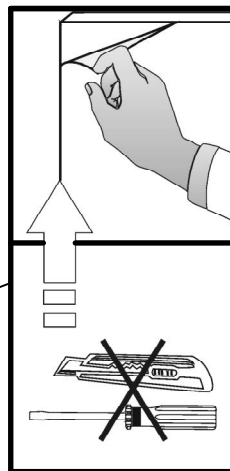
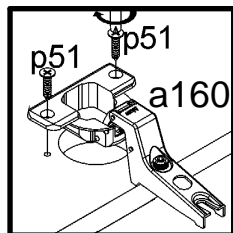
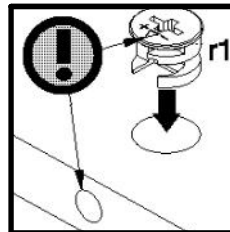
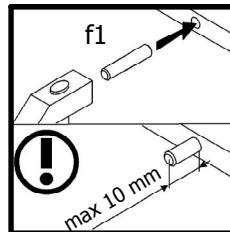
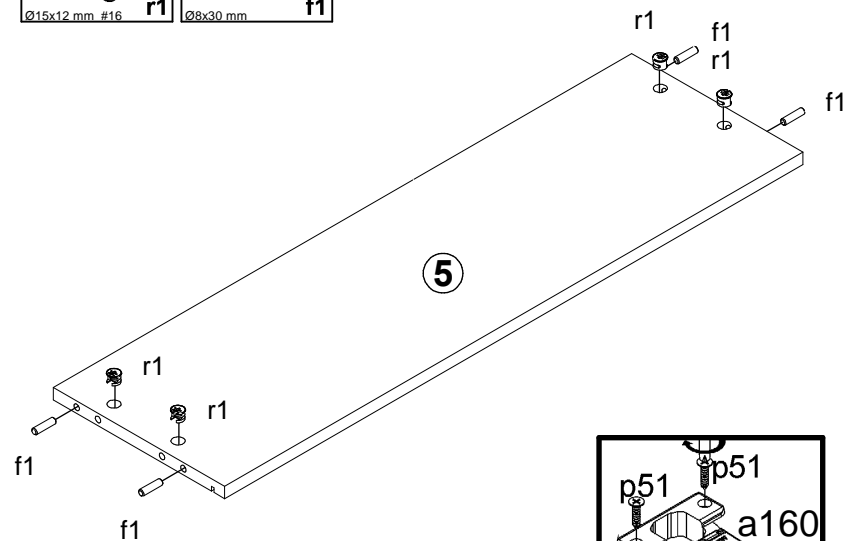
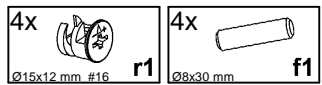


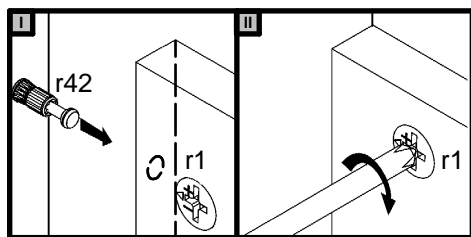
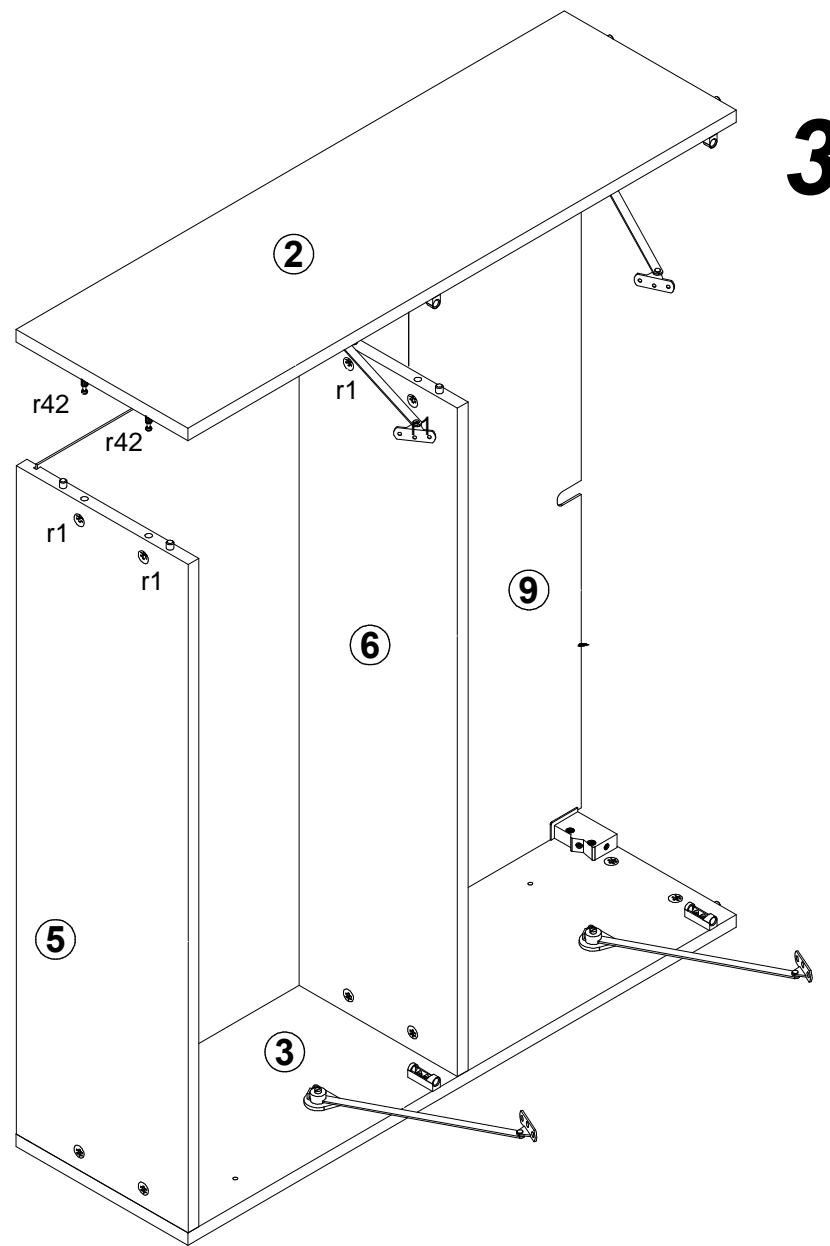
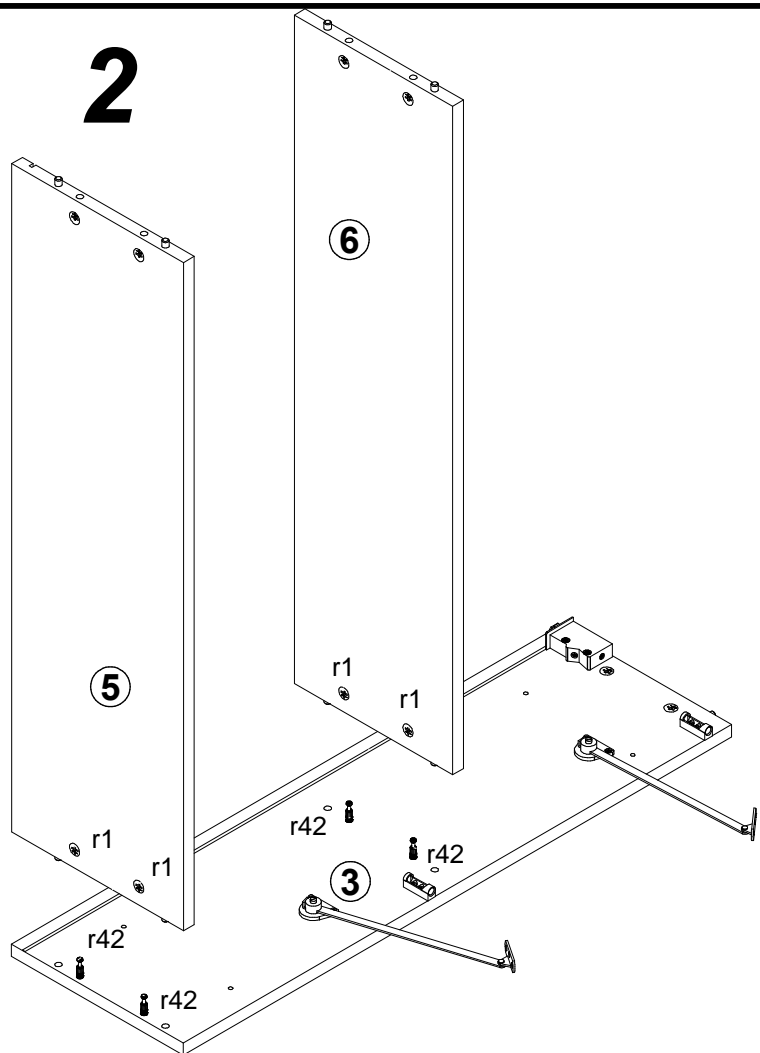
A	B	C1	C2	C3	D
1	M245-0004	412	896	16	1/1
2	M245-1006	824	257	16	1/1
3	M245-1007	824	257	16	1/1
4	M245-2003	900	280	16	1/1
5	M245-3011	867	257	16	1/1
6	M245-3012	867	237.0	16	1/1
7	M245-4071	810	88	9	1/1
8	M245-4072	810	138	9	1/1
9	M245-9303	817	877	2.5	1/1
10	m30\L				1/1
11	m30\P				1/1

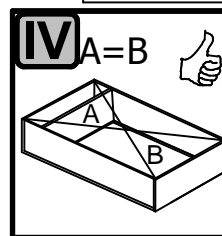
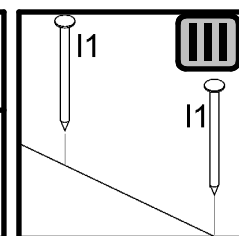
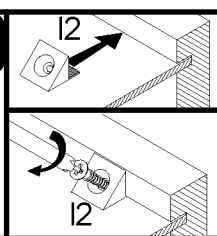
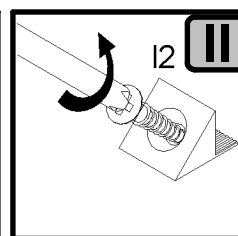
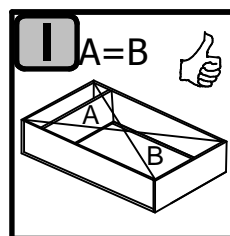
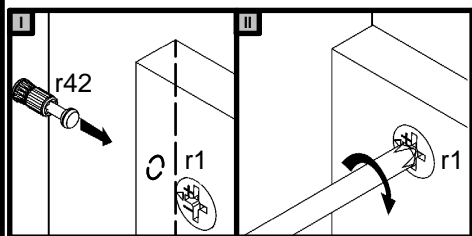
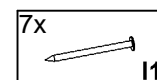
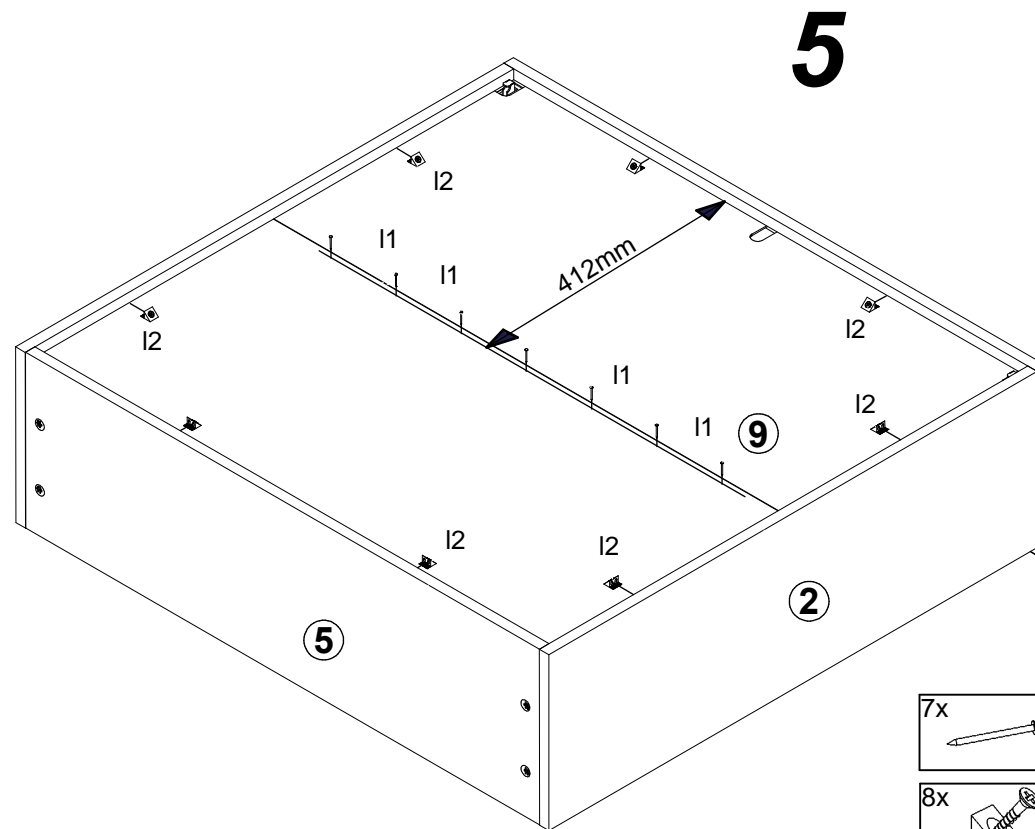
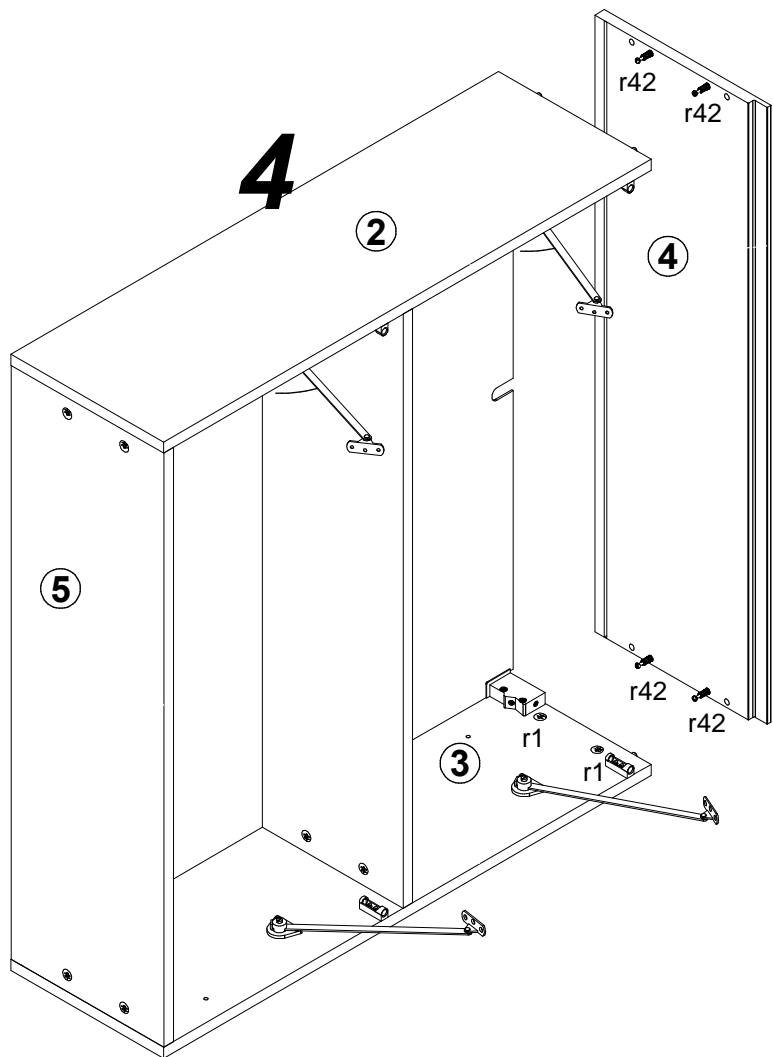
- 2x a158
- 2x a160
- 4x b83
- 2x c496
- 8x e3 $\phi 6 \times 13$ mm
- 12x f1 $\phi 8 \times 30$ mm
- 7x l1
- 8x l2
- 4x m3 L-236
- 4x m32
- 4x m34
- 1x n216\L
- 1x n216\P
- 20x p1 $\phi 3,5 \times 13$ mm
- 4x p21 $\phi 4 \times 30$ mm
- 12x p38 $\phi 3,5 \times 16$ mm
- 8x p51 $\phi 3,5 \times 15$ mm
- 4x p54 $\phi 3 \times 12$ mm
- 12x r1 $\phi 15 \times 12$ mm #16
- 12x r42 $\phi 20 \times 11$
- 12x s2 $\phi 16$
- 12x p15 $\phi 2,5 \times 13$ mm
- 4x j3 $M4 \times 12$ mm
- 2x j45\I2
- 4x f35 $\phi 10 \times 50$ mm
- 2x n217
- 4x p17 $\phi 5 \times 60$ mm
- 1x f35 $\phi 10 \times 50$ mm
- 1x n14\I2 $86 \times 21 \times 15 \times 1,5$
- 1x p17 $\phi 5 \times 60$ mm
- 2x p38 $\phi 3,5 \times 16$ mm



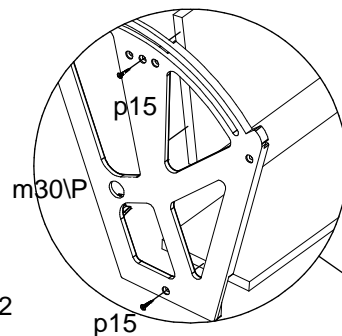
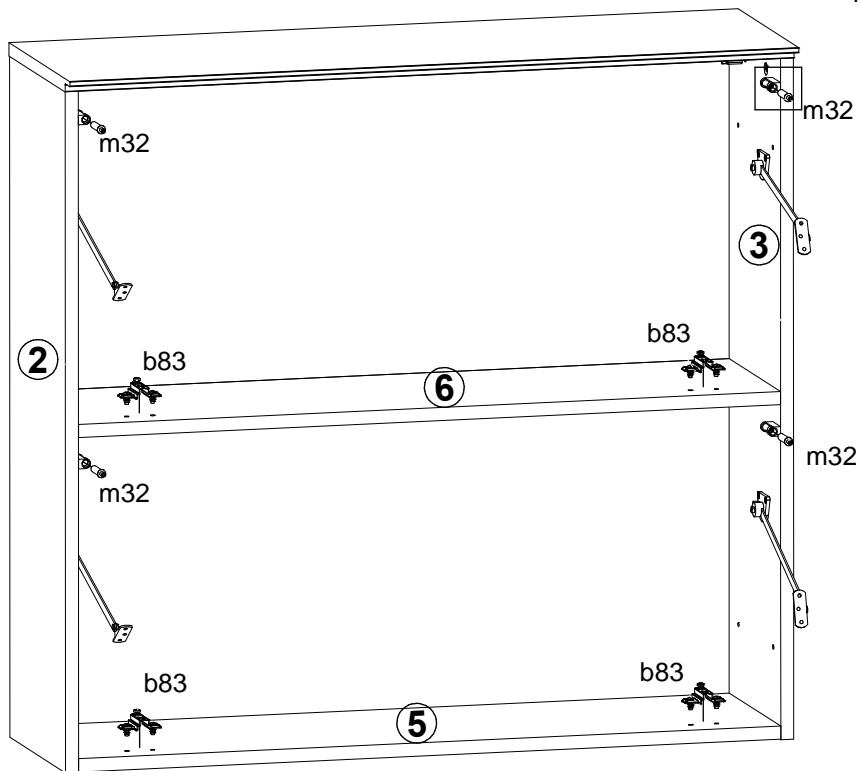




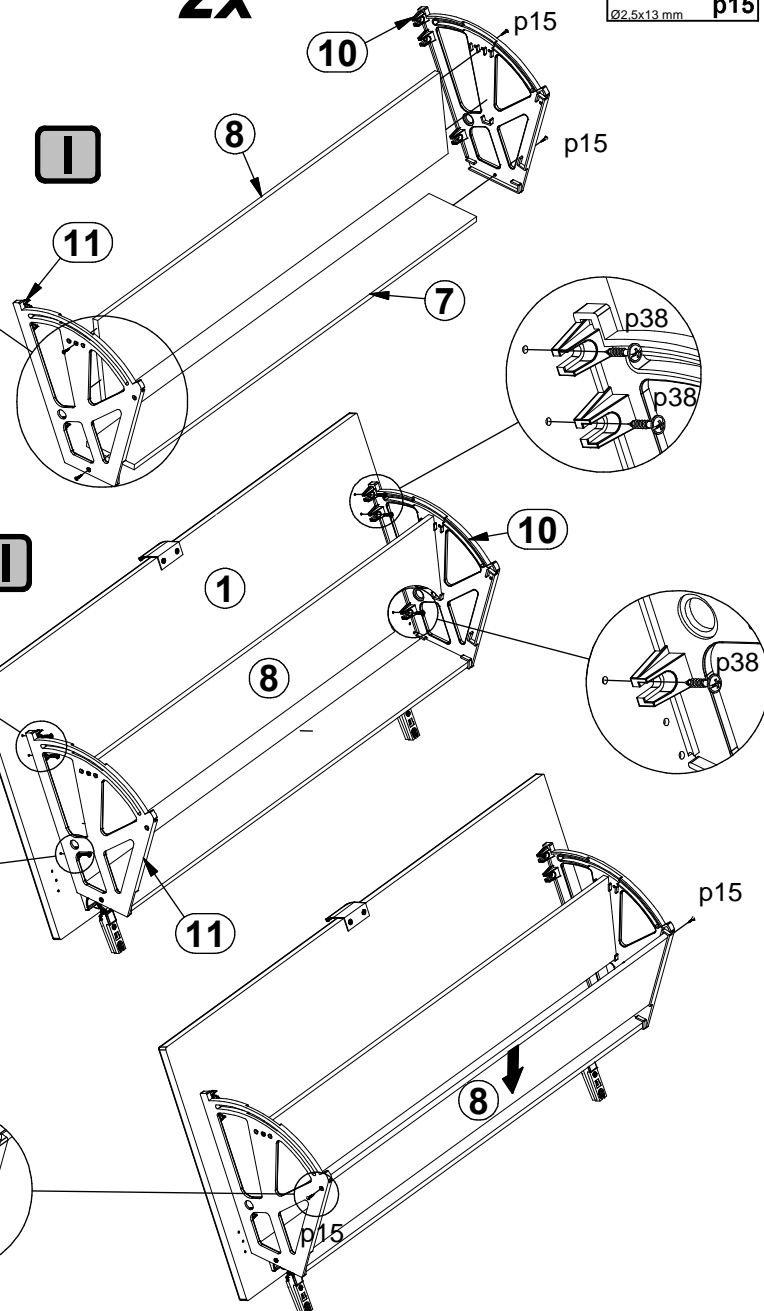






6

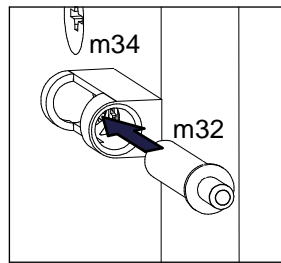
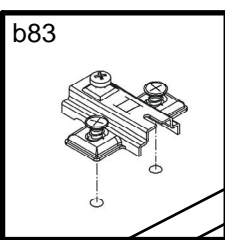


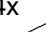
7 2x





4x  p15
 Ø2,5x13 mm

6x  p38
 Ø3,5x16 mm

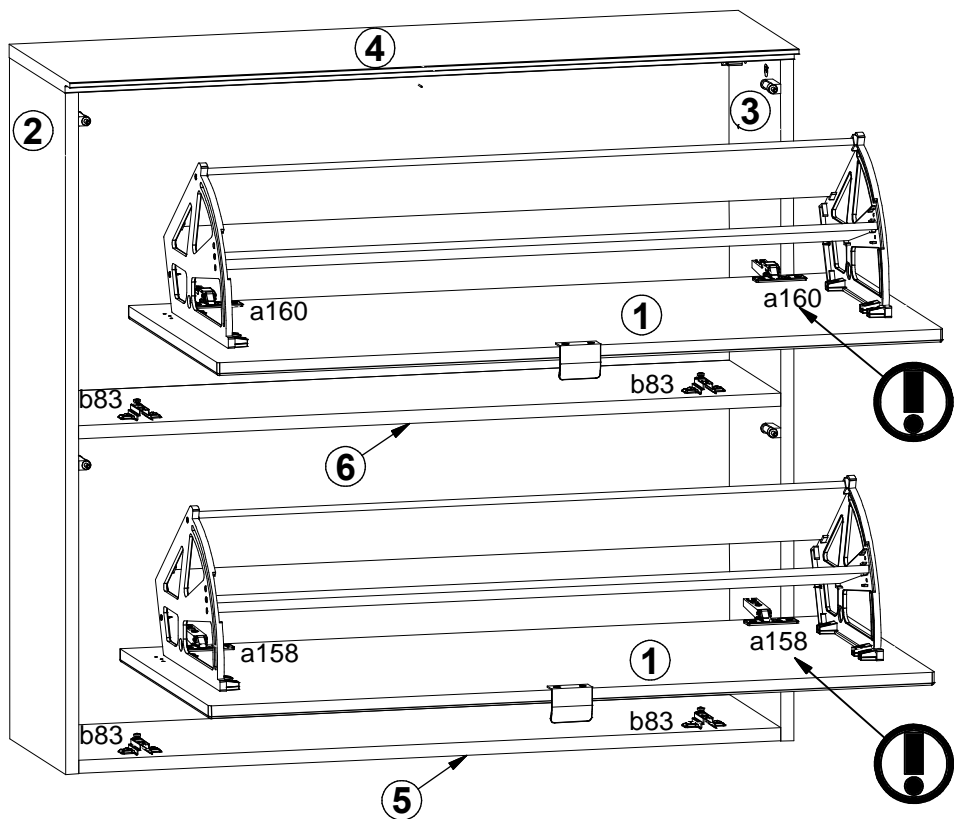


4x  m32

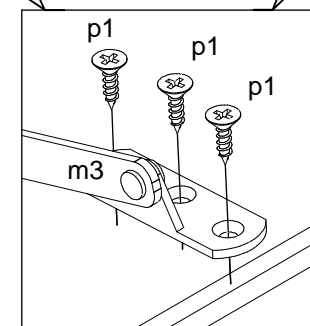
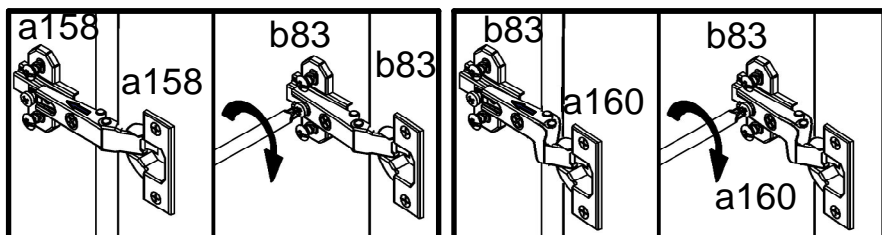
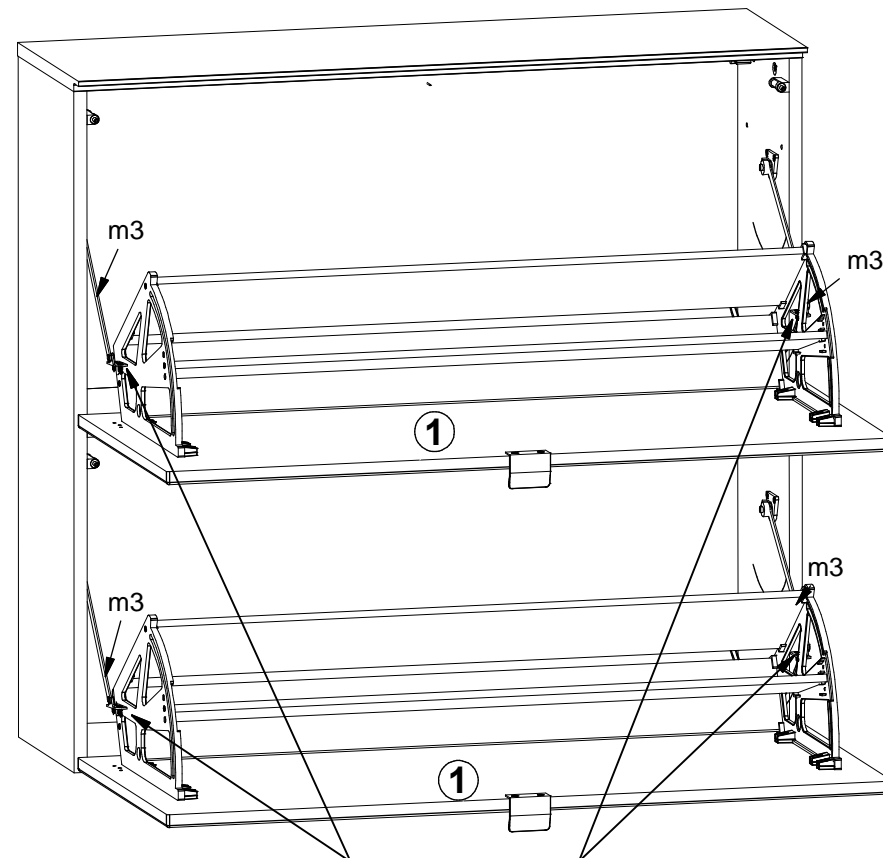
4x  b83


2x  p15
 Ø2,5x13 mm

8

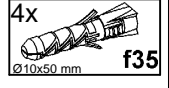
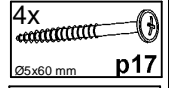
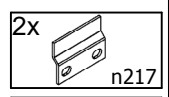
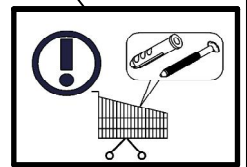
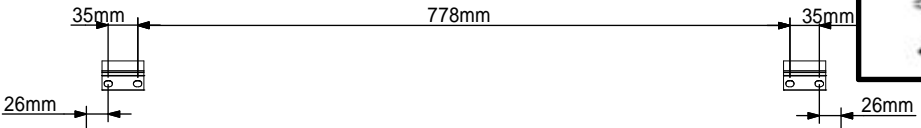
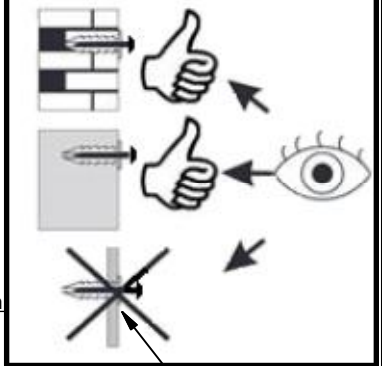
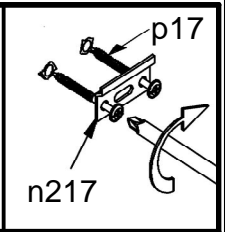
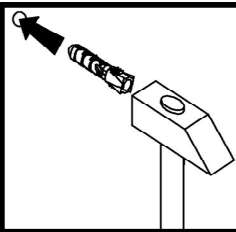
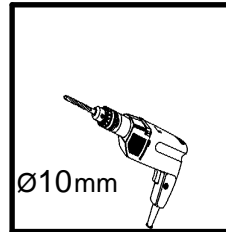
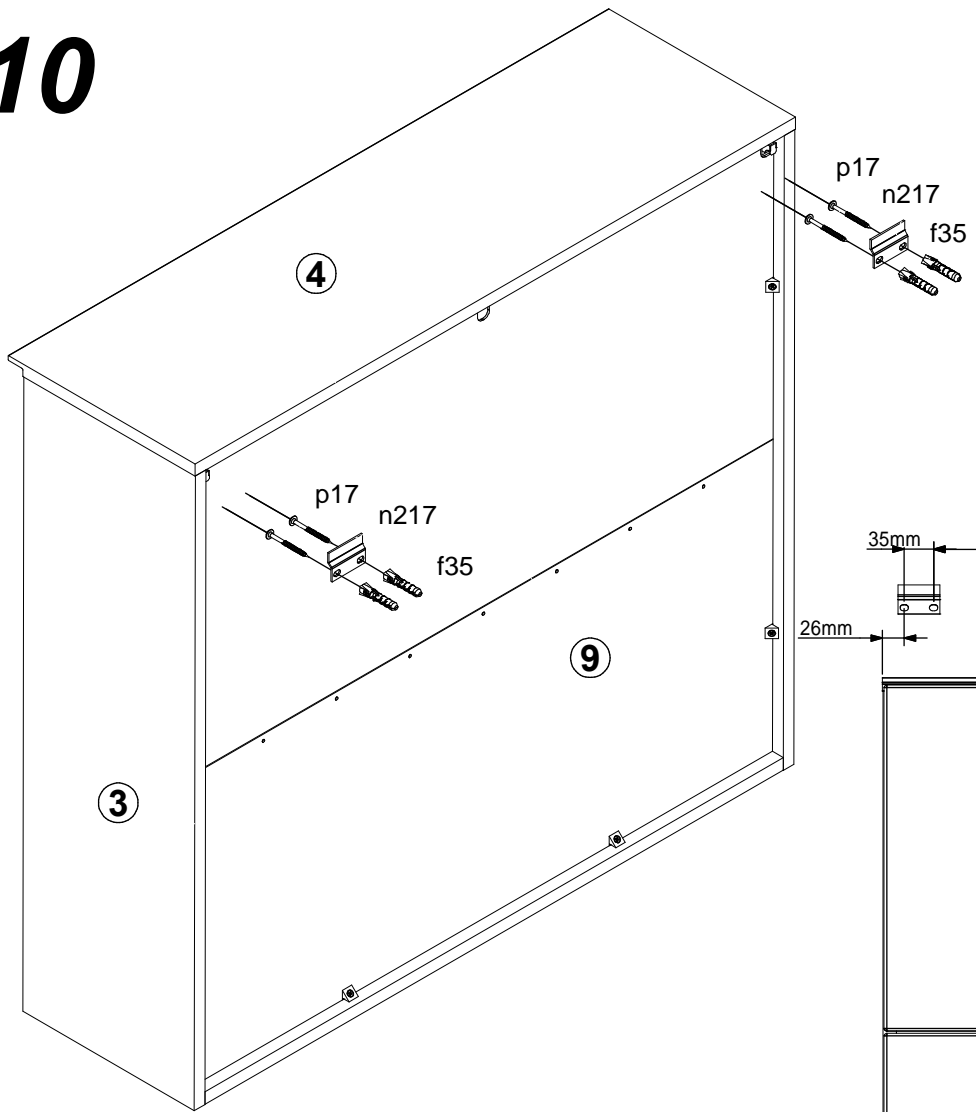


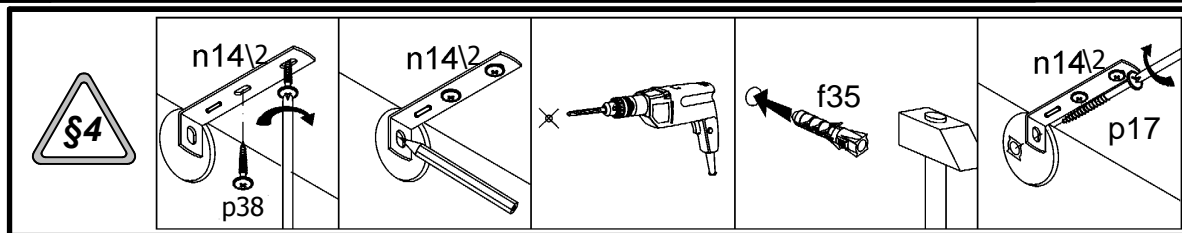
9



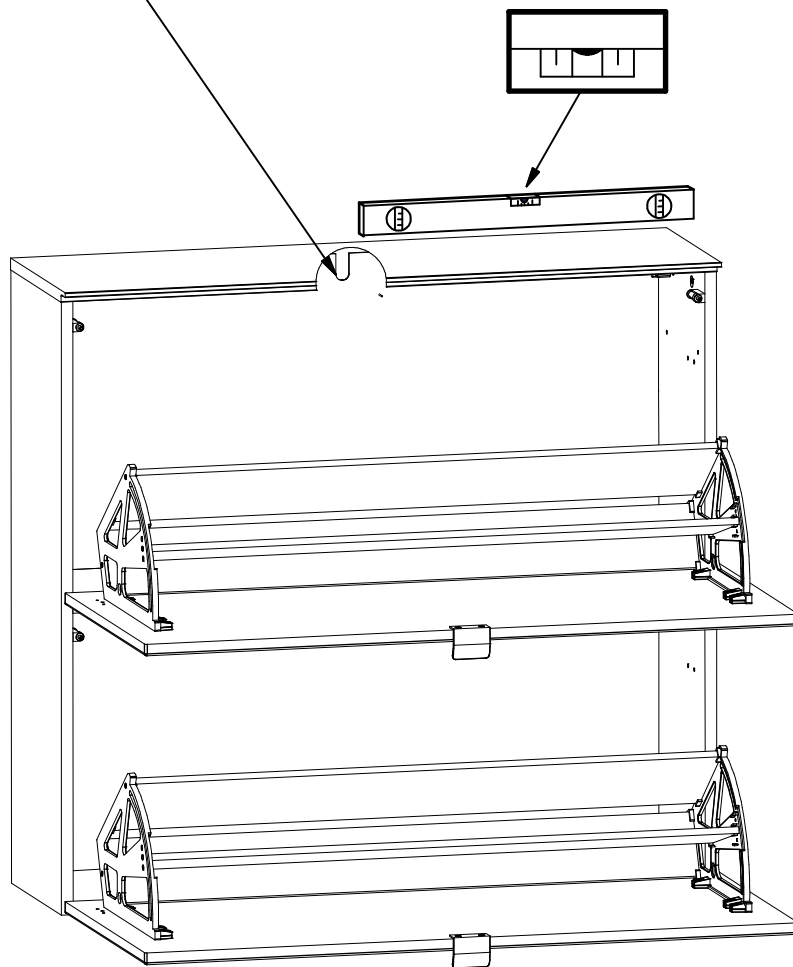
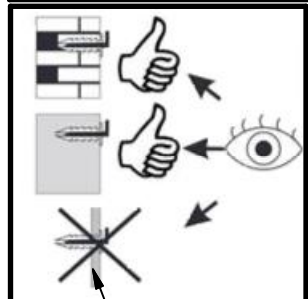
12x  p1
 ø3,5x13 mm

10





11



- 2x
Ø3.5x16 mm p38
- 1x
Ø10x50 mm f35
- 1x
88x21x151,5 n14/2
- 1x
Ø5x60 mm p17

