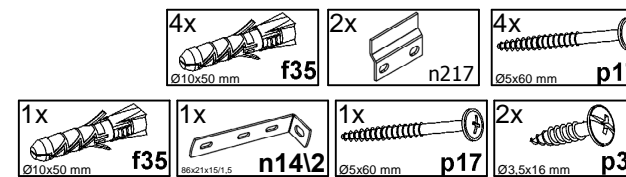
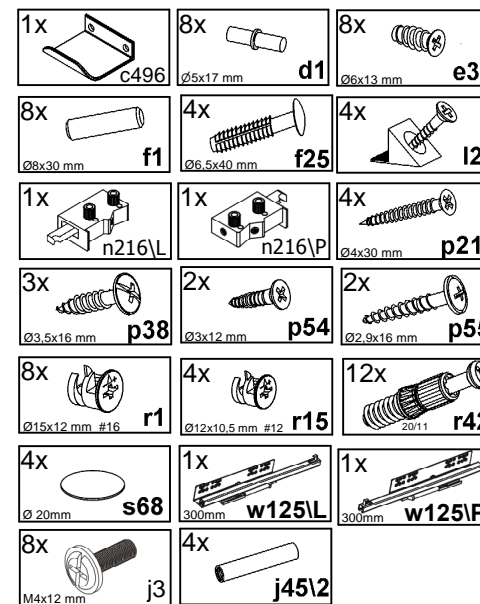
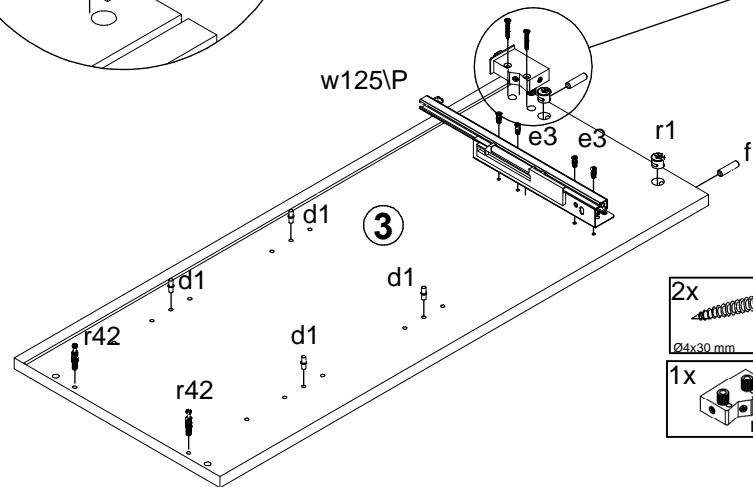
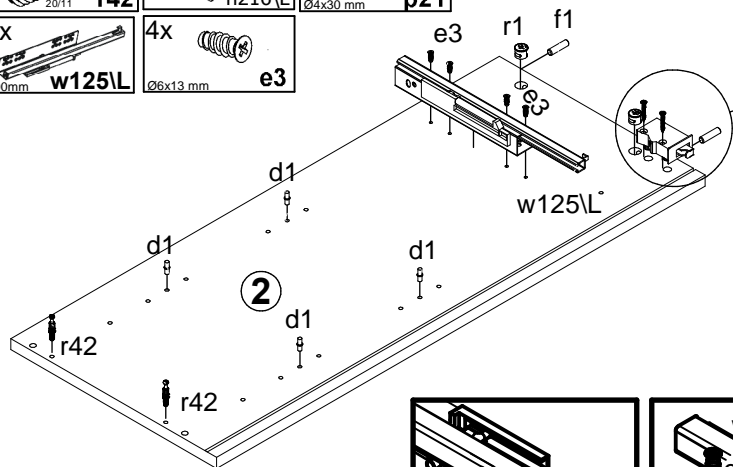
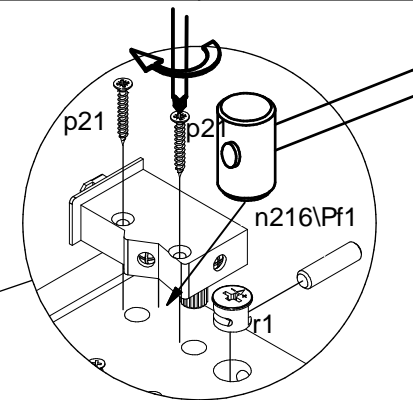
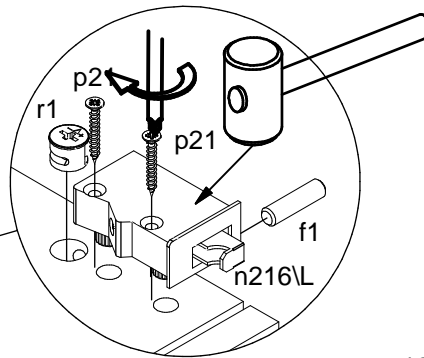


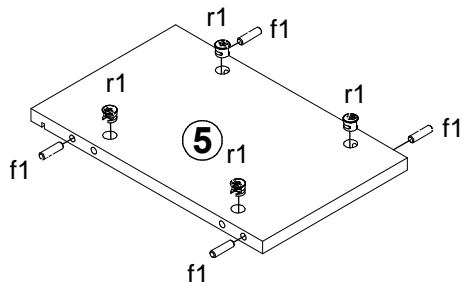
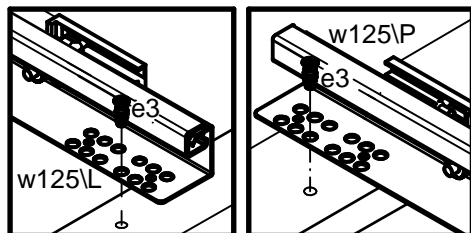
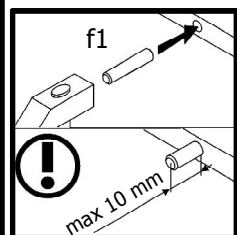
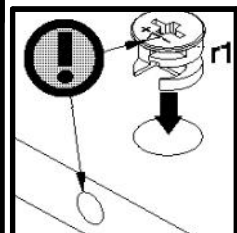
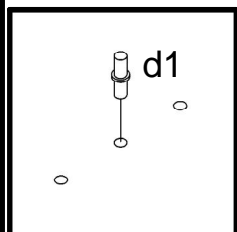
A	B	C1	C2	C3	D
1	M245-0051	206	246	16	1/1
2	M245-1051	824	347	16	1/1
3	M245-1052	824	347	16	1/1
4	M245-2051	250	370	16	1/1
5	M245-3053	217,	347	16	1/1
6	M245-3054	217,	325	16	1/1
7	M245-9051	817	227	2,5	1/1
8	WSP-9283	908,	358	2,5	1/1
9	ZQ6-5082	177	97	15	1/1
10	ZQ6-517	300	110	12	1/1
11	ZQ6-518	300	110	12	1/1



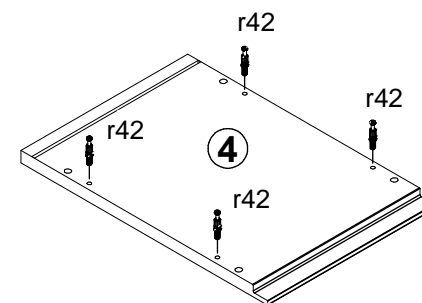
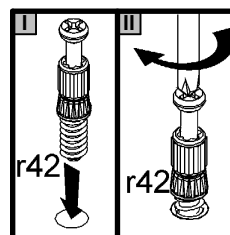
- 4x $\varnothing 5 \times 17$ mm d1
- 2x $\varnothing 15 \times 12$ mm #16 r1
- 2x $\varnothing 8 \times 30$ mm f1
- 2x 20/11 r42
- 1x n216\L
- 2x $\varnothing 4 \times 30$ mm p21
- 1x 300mm w125\L
- 4x $\varnothing 6 \times 13$ mm e3



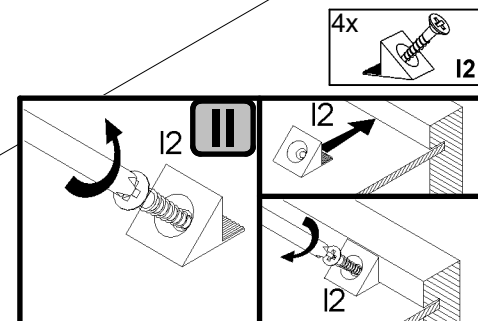
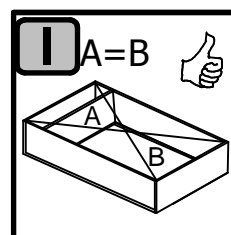
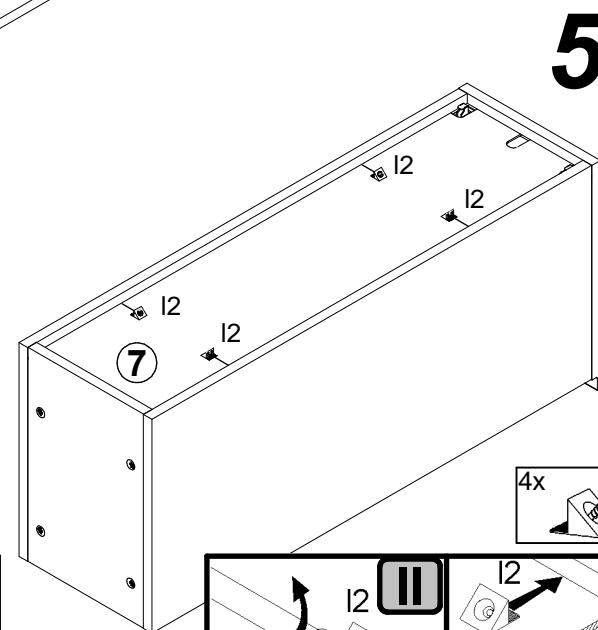
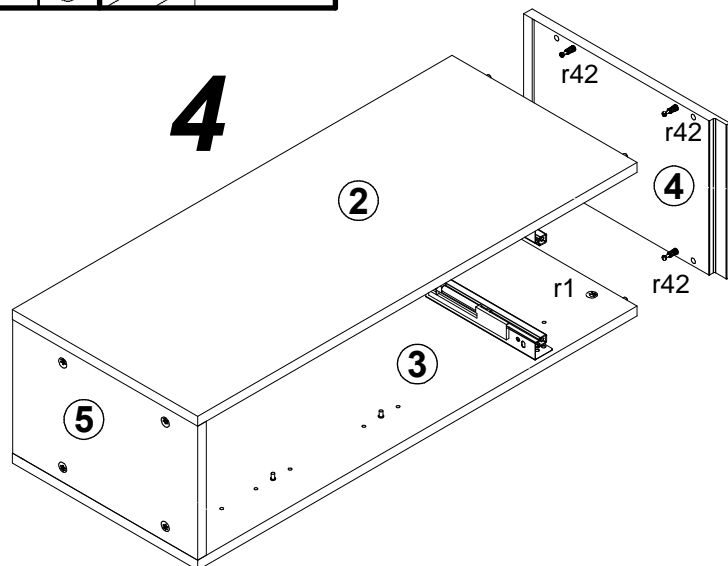
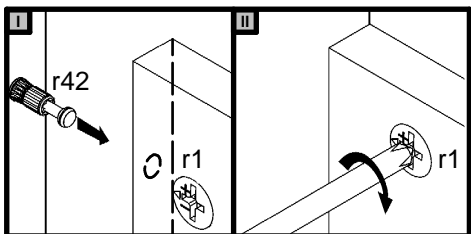
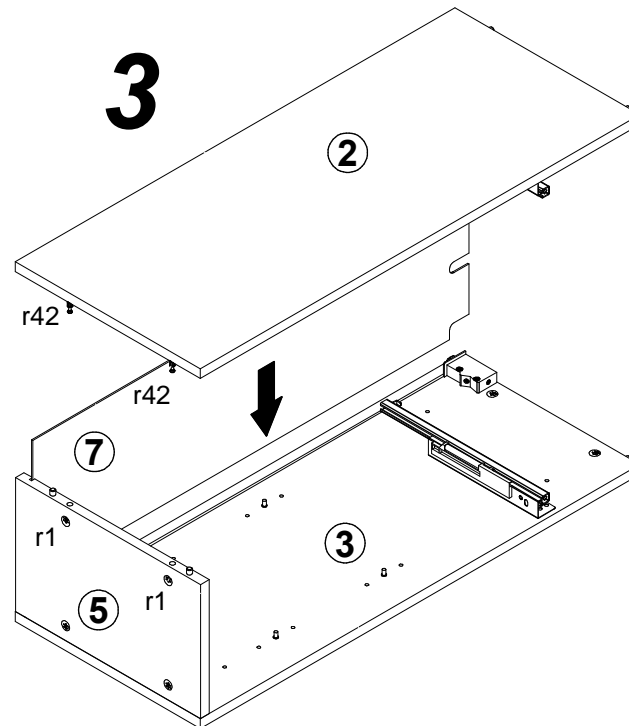
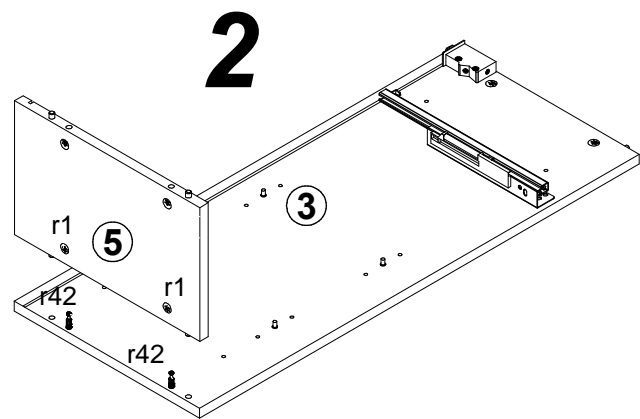
- 4x $\varnothing 6 \times 13$ mm e3
- 1x 300mm w125\P
- 2x $\varnothing 4 \times 30$ mm p21
- 2x $\varnothing 8 \times 30$ mm f1
- 2x 20/11 r42
- 1x n216\P
- 4x $\varnothing 5 \times 17$ mm d1
- 2x $\varnothing 15 \times 12$ mm #16 r1



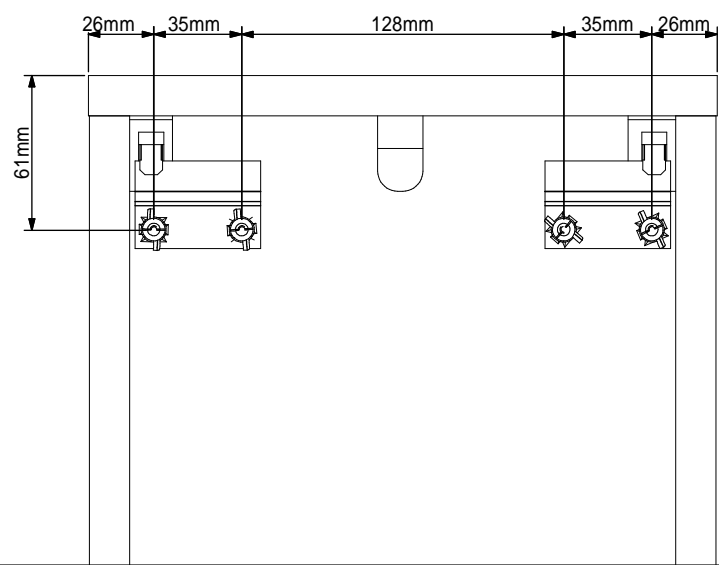
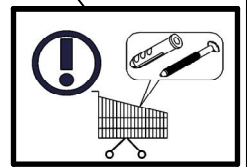
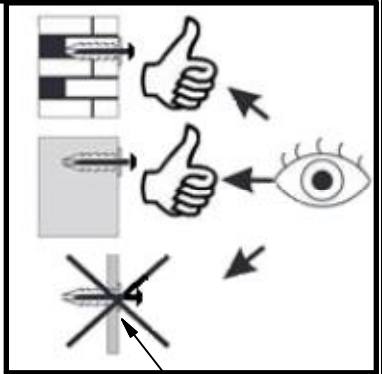
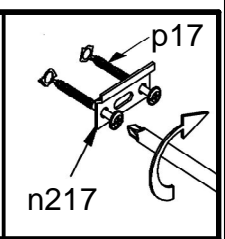
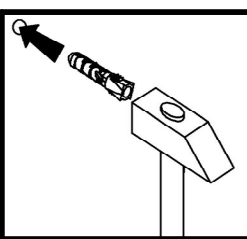
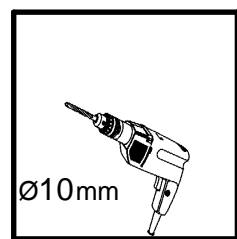
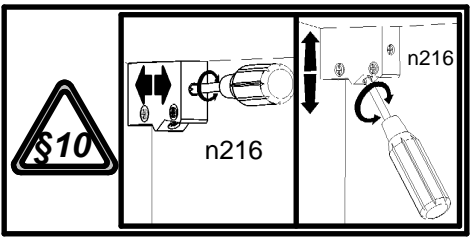
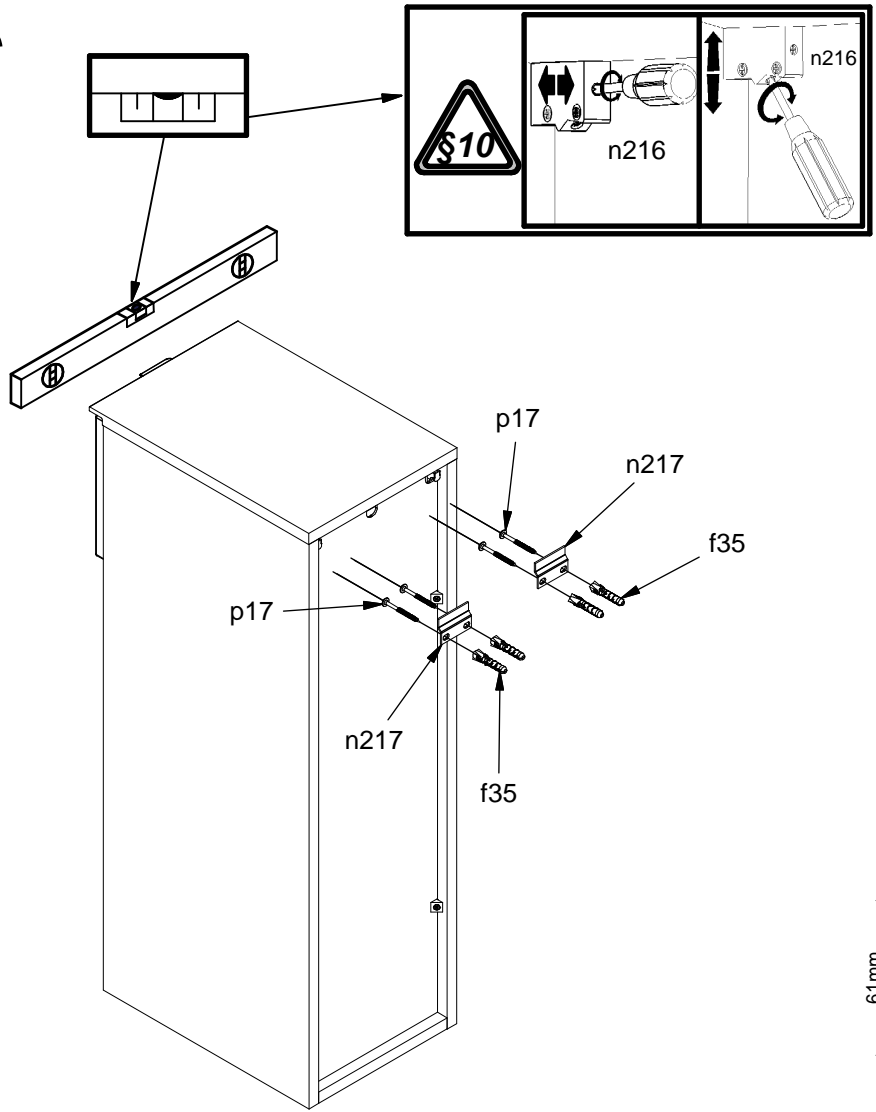
- 4x $\varnothing 8 \times 30$ mm f1
- 4x $\varnothing 15 \times 12$ mm #16 r1

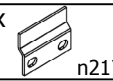
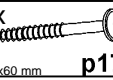
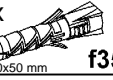


- 4x 20/11 r42



6



- 2x  n217
- 4x  p17
Ø5x60 mm
- 4x  f35
Ø10x50 mm

A

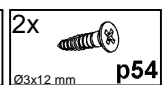
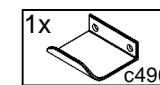
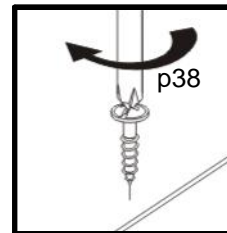
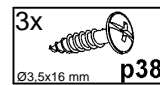
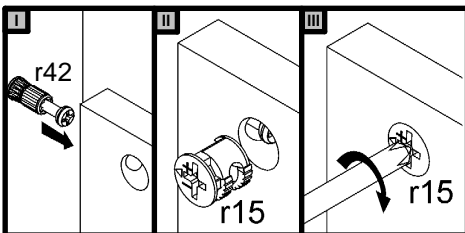
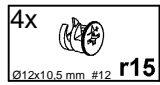
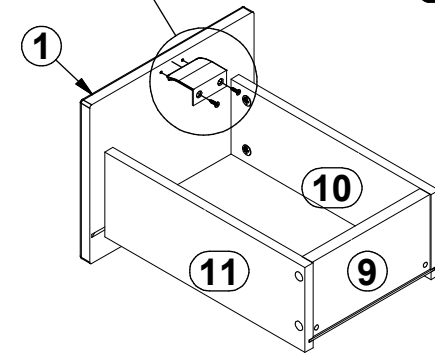
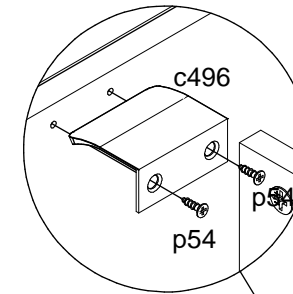
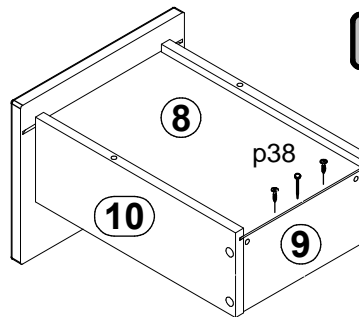
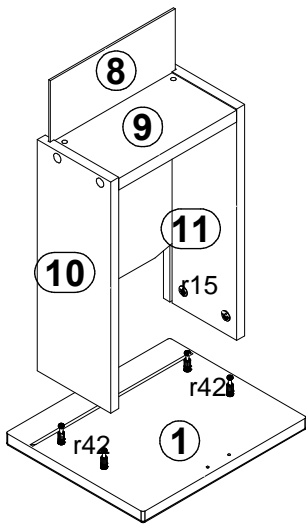
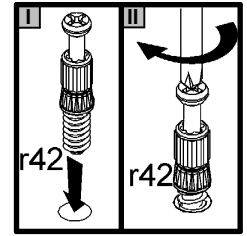
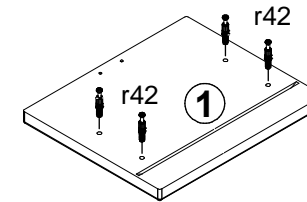
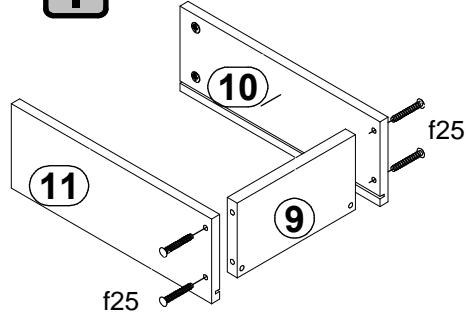
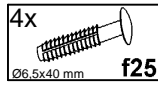
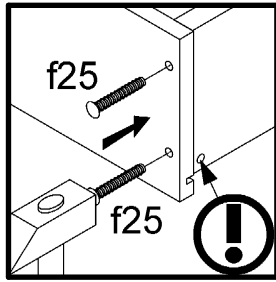
M245-SFW1S/8/3

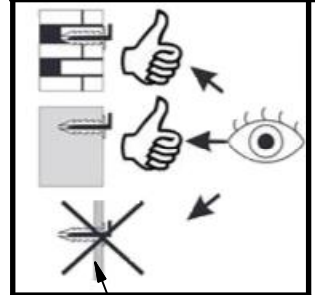
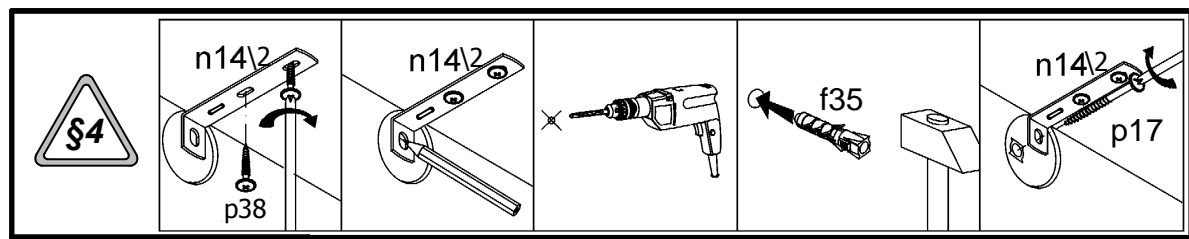
30 B9 99 21,22,23,24,25

6 / 7

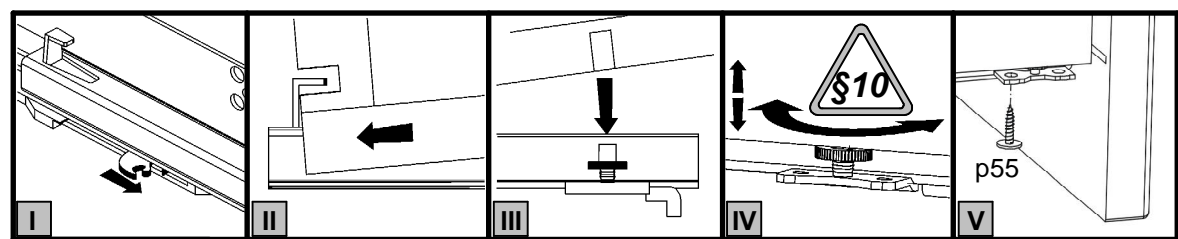


7





8



9

