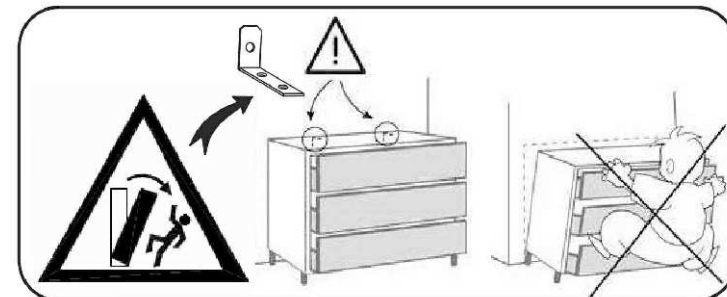
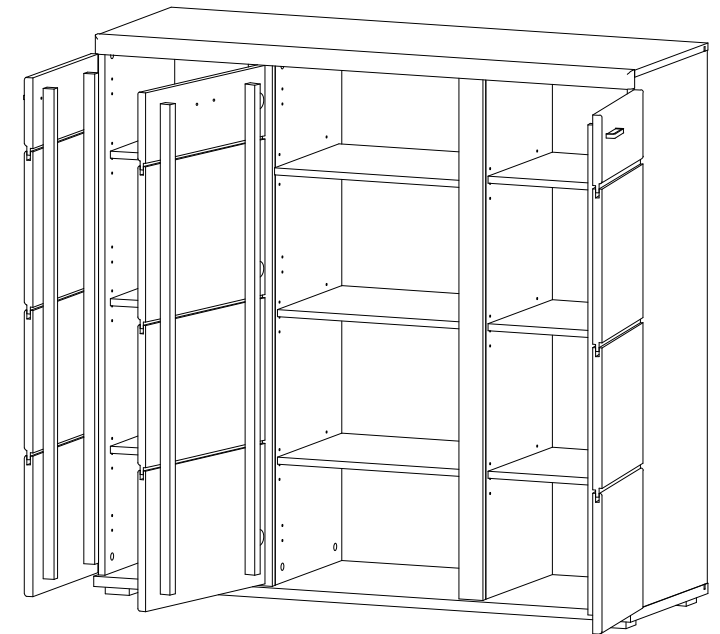
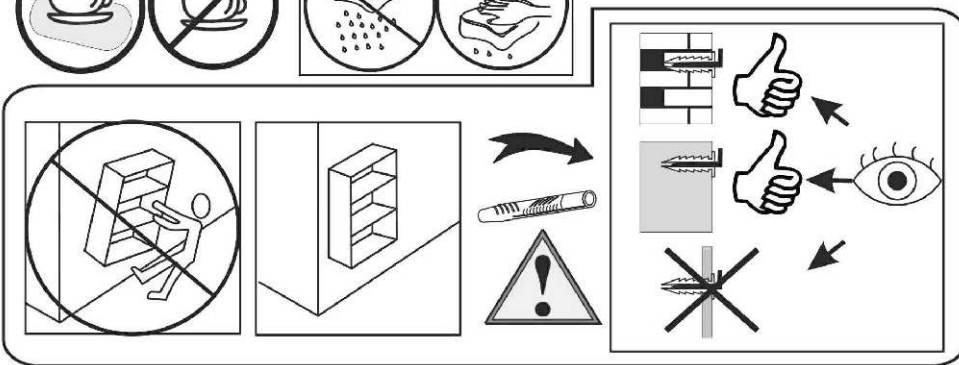
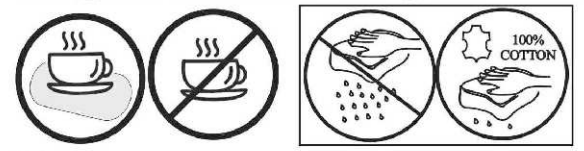
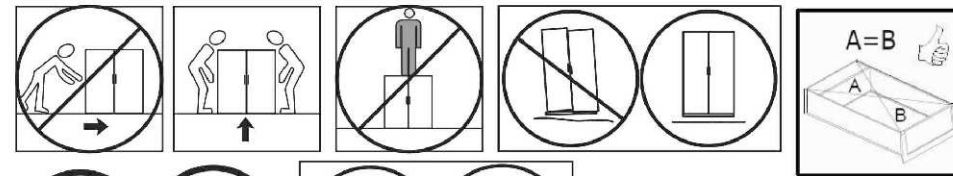
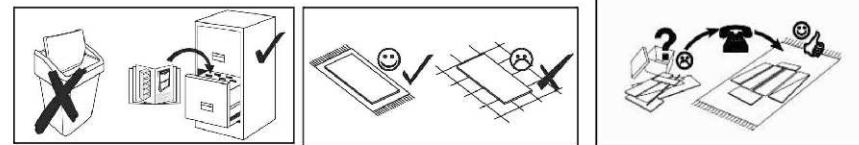
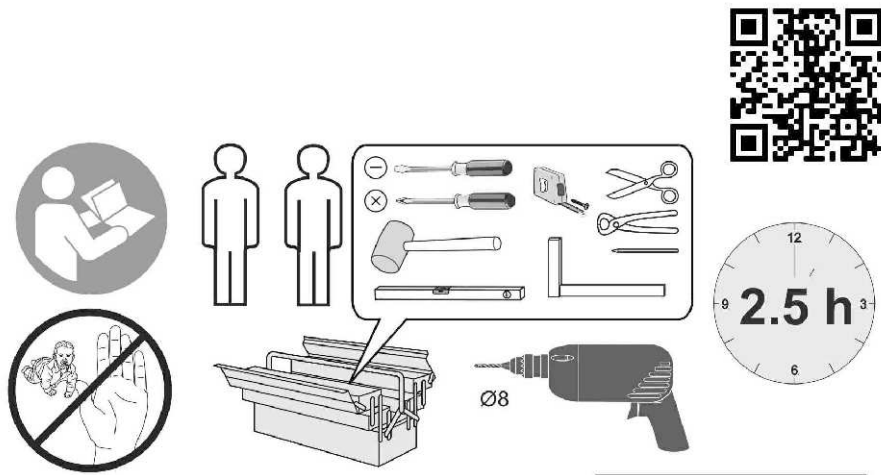
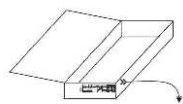
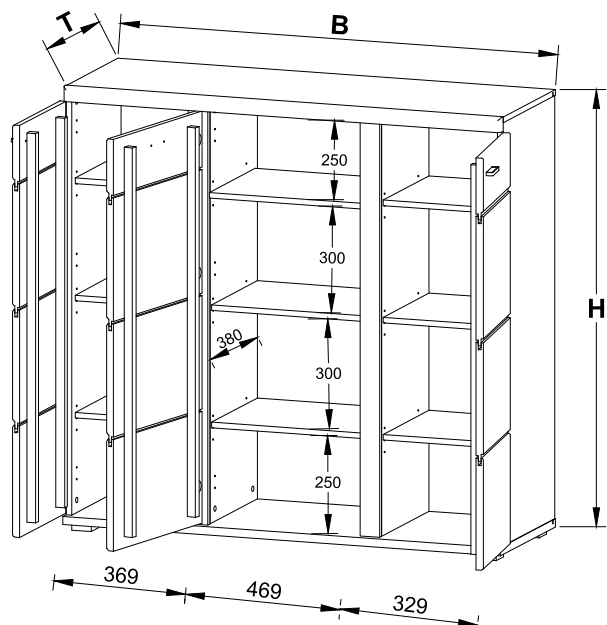


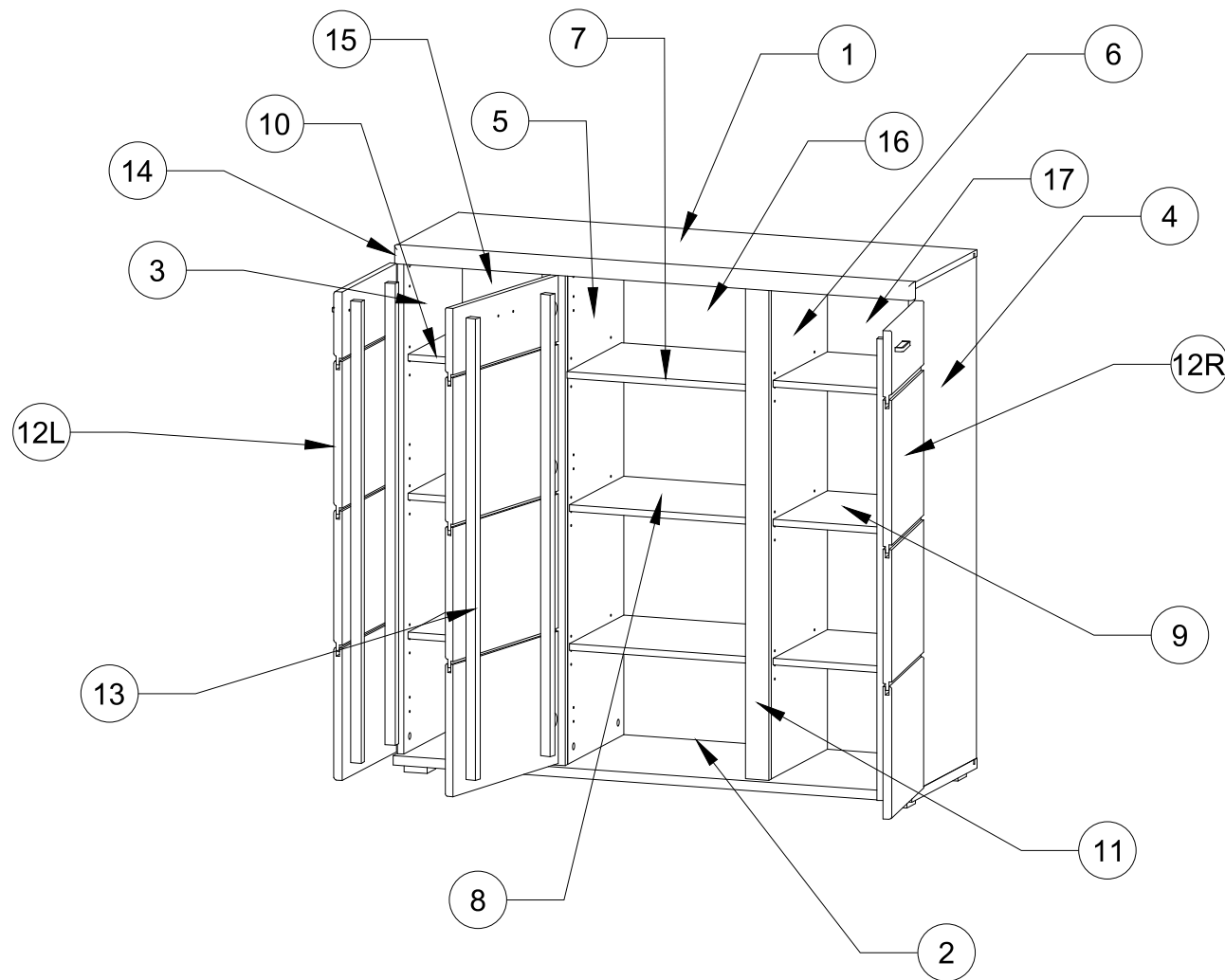
SONOS 5X-03-HU-26





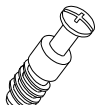
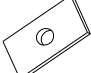
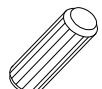
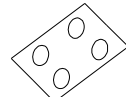
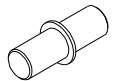
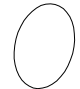
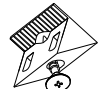
SONOS 5X-03-HU-26

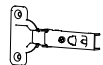
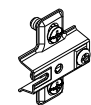



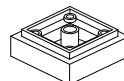

1	1230x398	1	3
2	1230x420	1	3
3	1142x398	1	3
4	1142x398	1	3
5	1142x362	1	1
6	1142x362	1	1
7	463x340	1	1
8	464x340	2	1
9	329x340	3	1
10	369x340	3	1
11	1142x55	2	3
12L	350x1112	1	2
12R	350x1112	1	2
13	450x1112	1	2
14	1232x40	1	3
15	1153x382	1	3
16	1153x478	1	3
17	1153x342	1	3

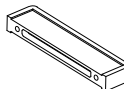





SONOS 5X-03-HU-26

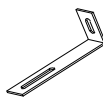


	
A x26	I1 x10
	
C x26	I x10
	
D x24	P x1
	
E x32	G x22
	
H x16	

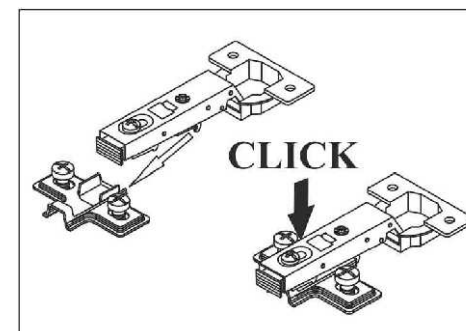
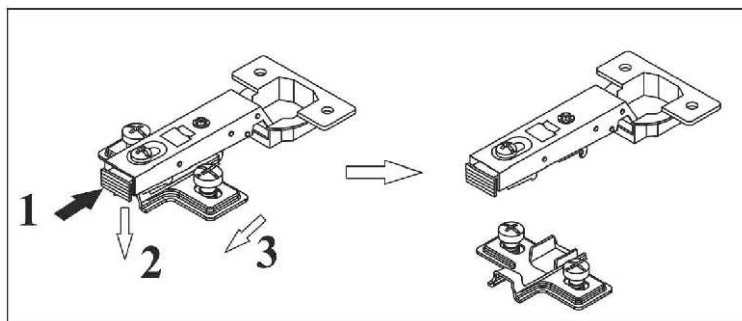

K x9

K2 x9

K1 x18


M x6

M1 x24


L x3

L1 x6


O x8

O1 x32


N x2

N1 x2

N2 x4



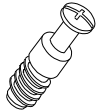
SONOS 5X-03-HU-26

1

Ø15x12mm

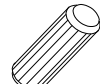


A x10

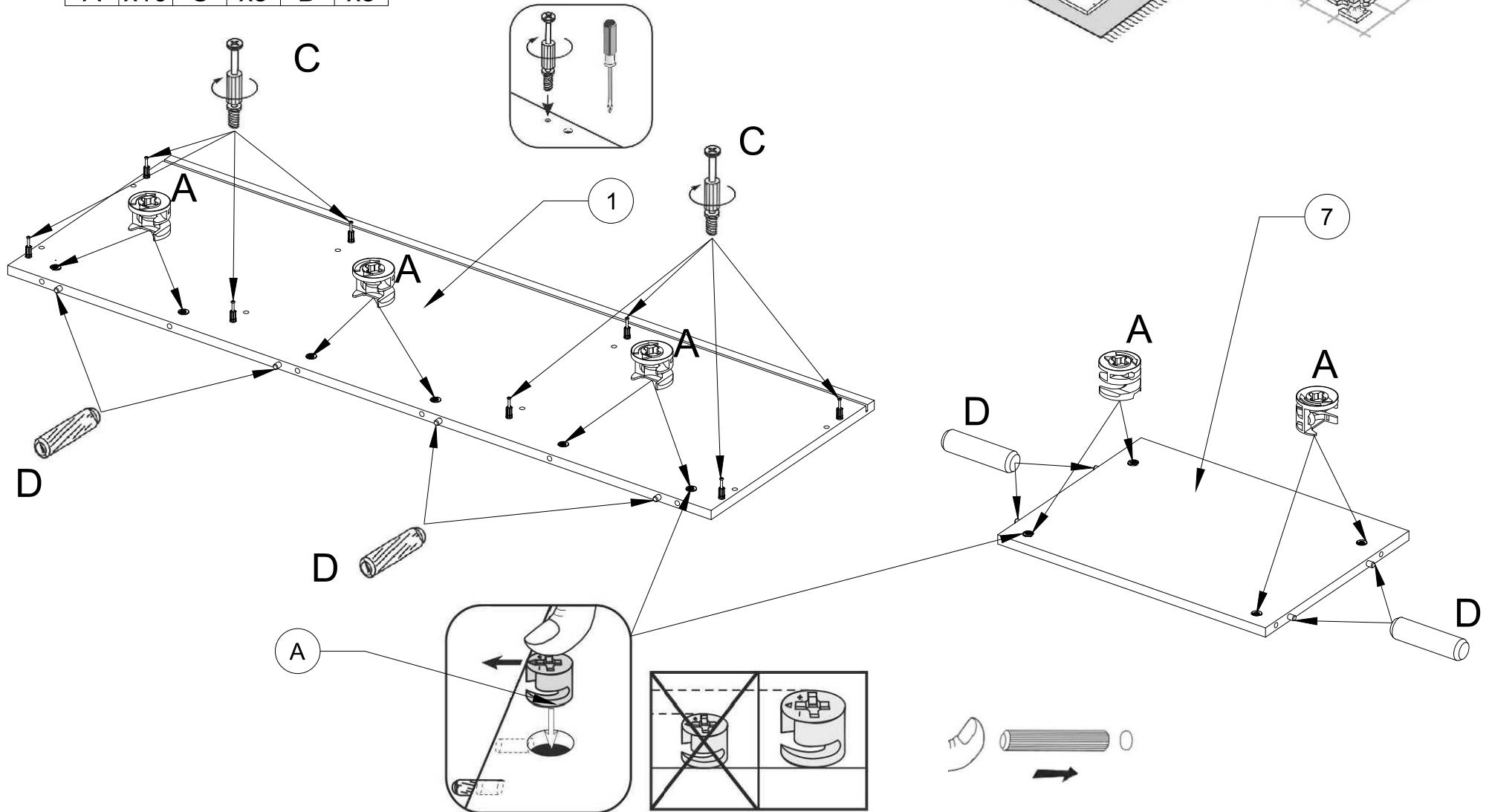
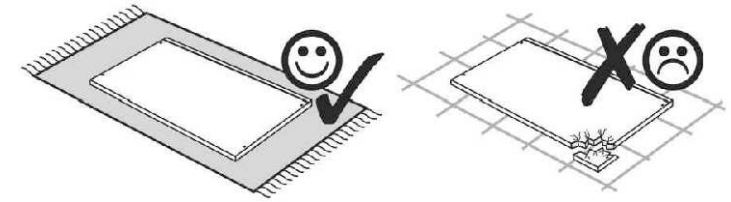


C x8

Ø8x30mm

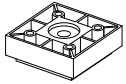

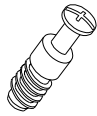


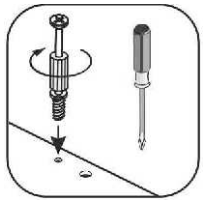
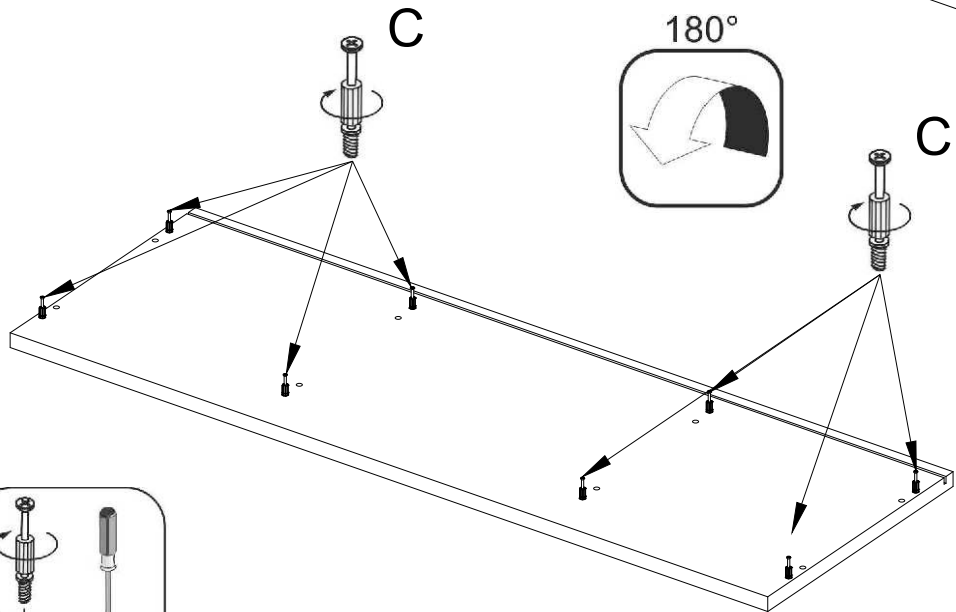
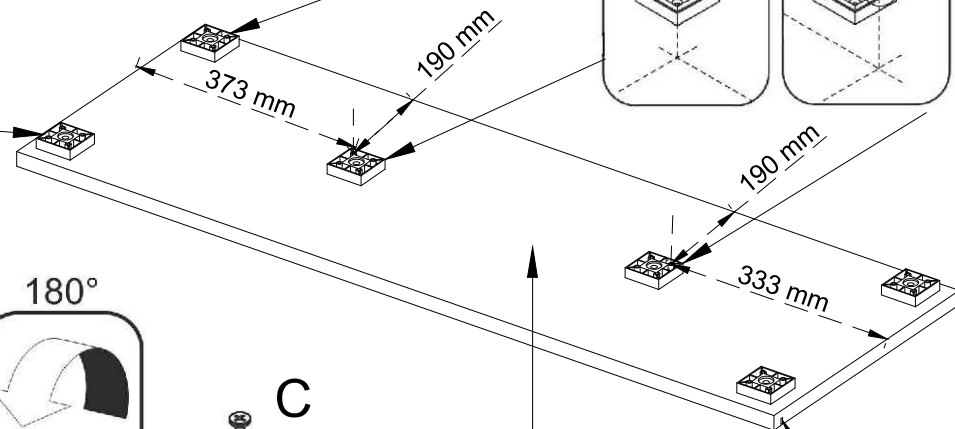
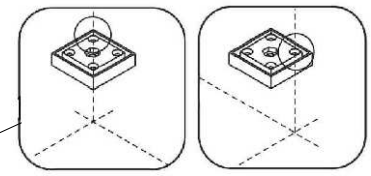
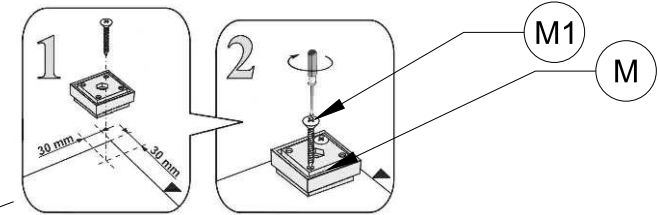
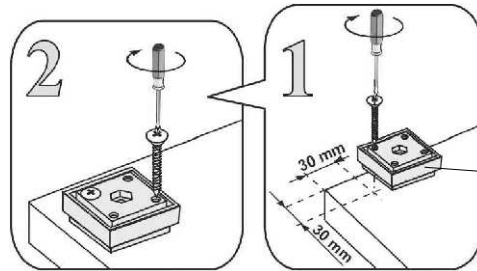
D x8



SONOS 5X-03-HU-26

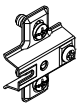

2

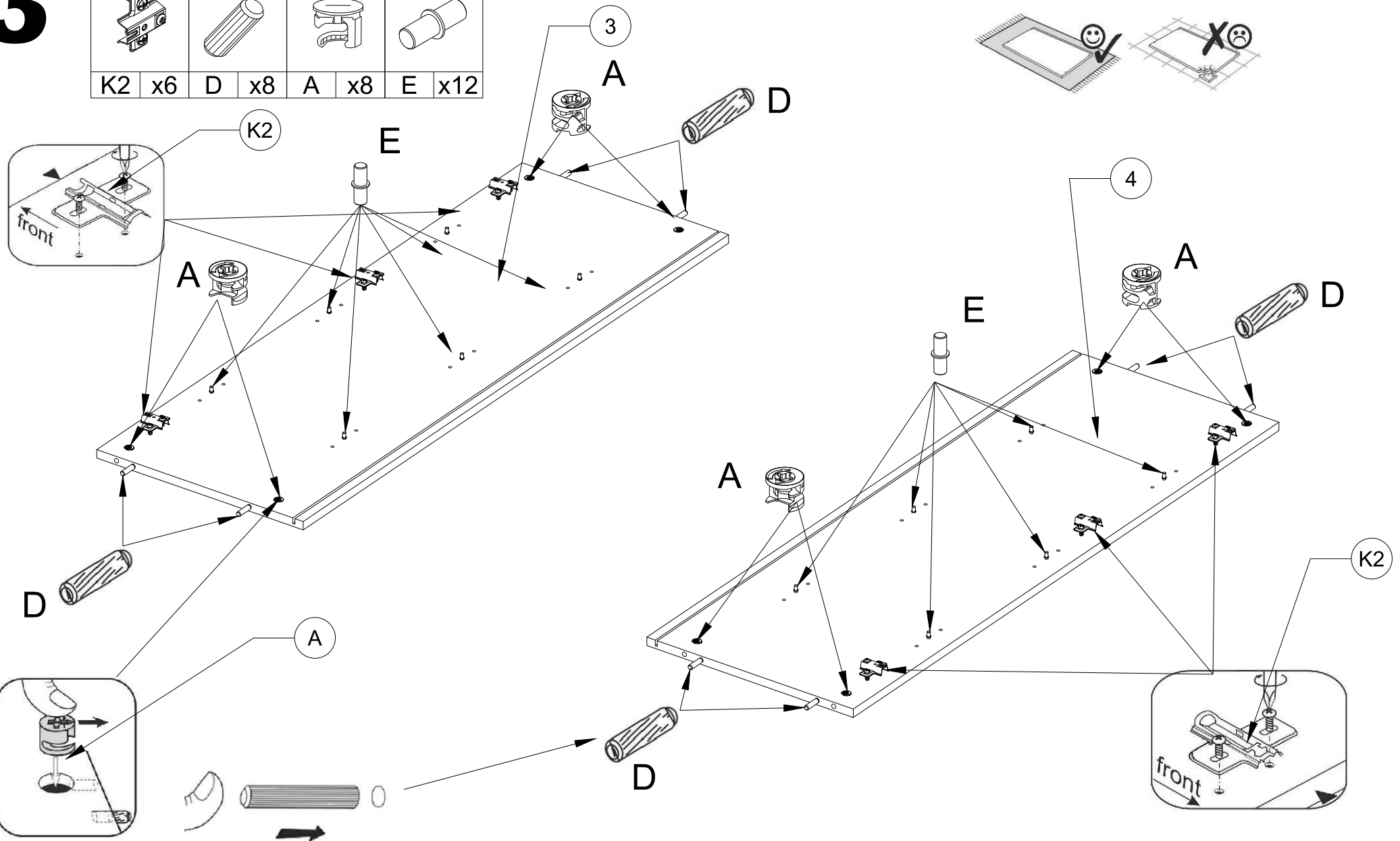
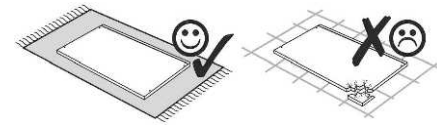
55x55x20	Ø4x30mm	
		
M x6	M1 x24	C x8



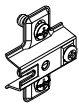
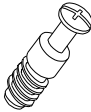
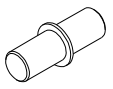
2

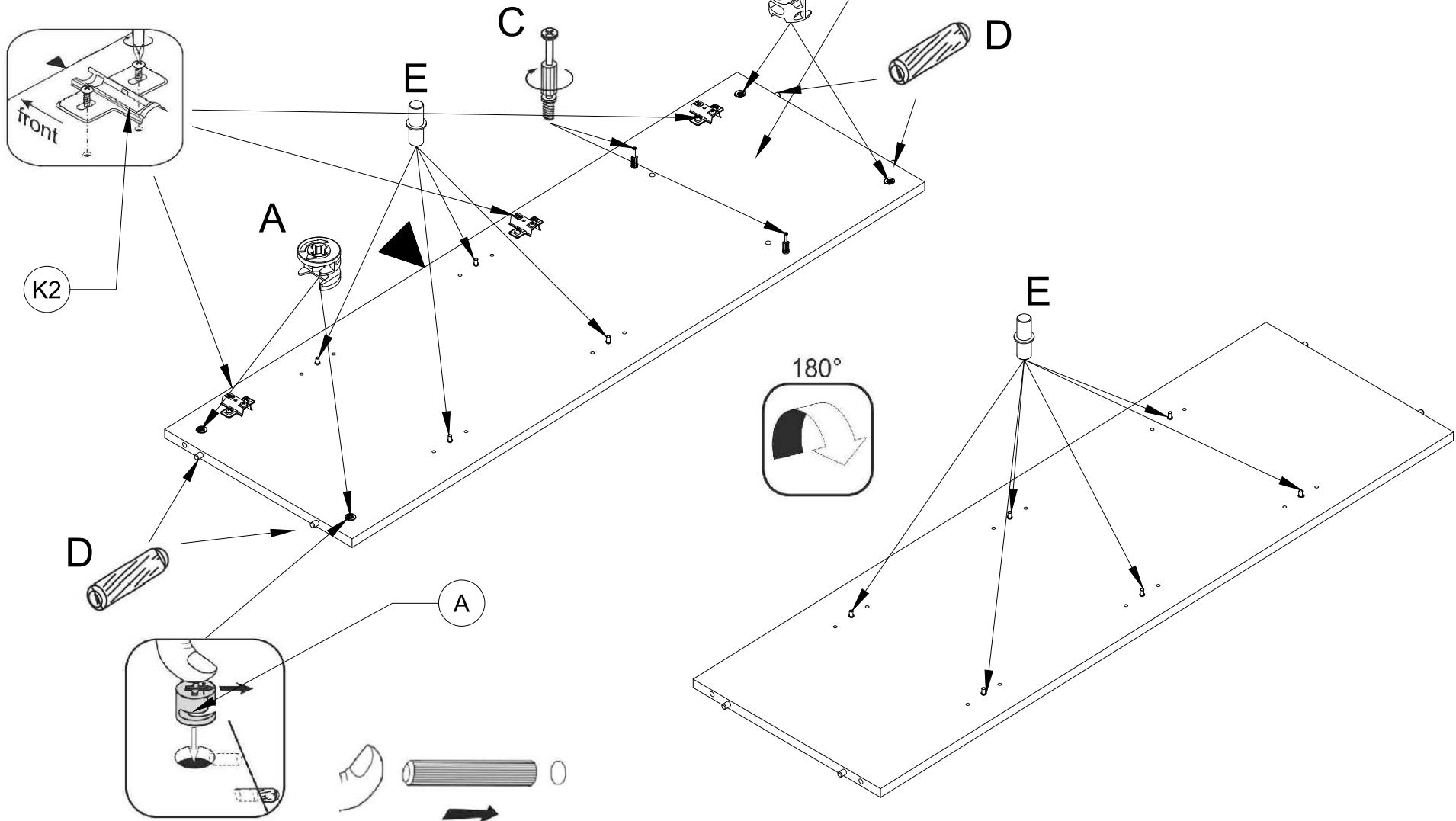
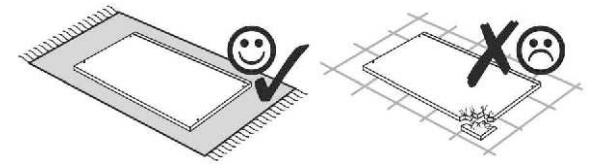
3

	Ø8x30mm	Ø15x12mm	
K2 x6	D x8	A x8	E x12



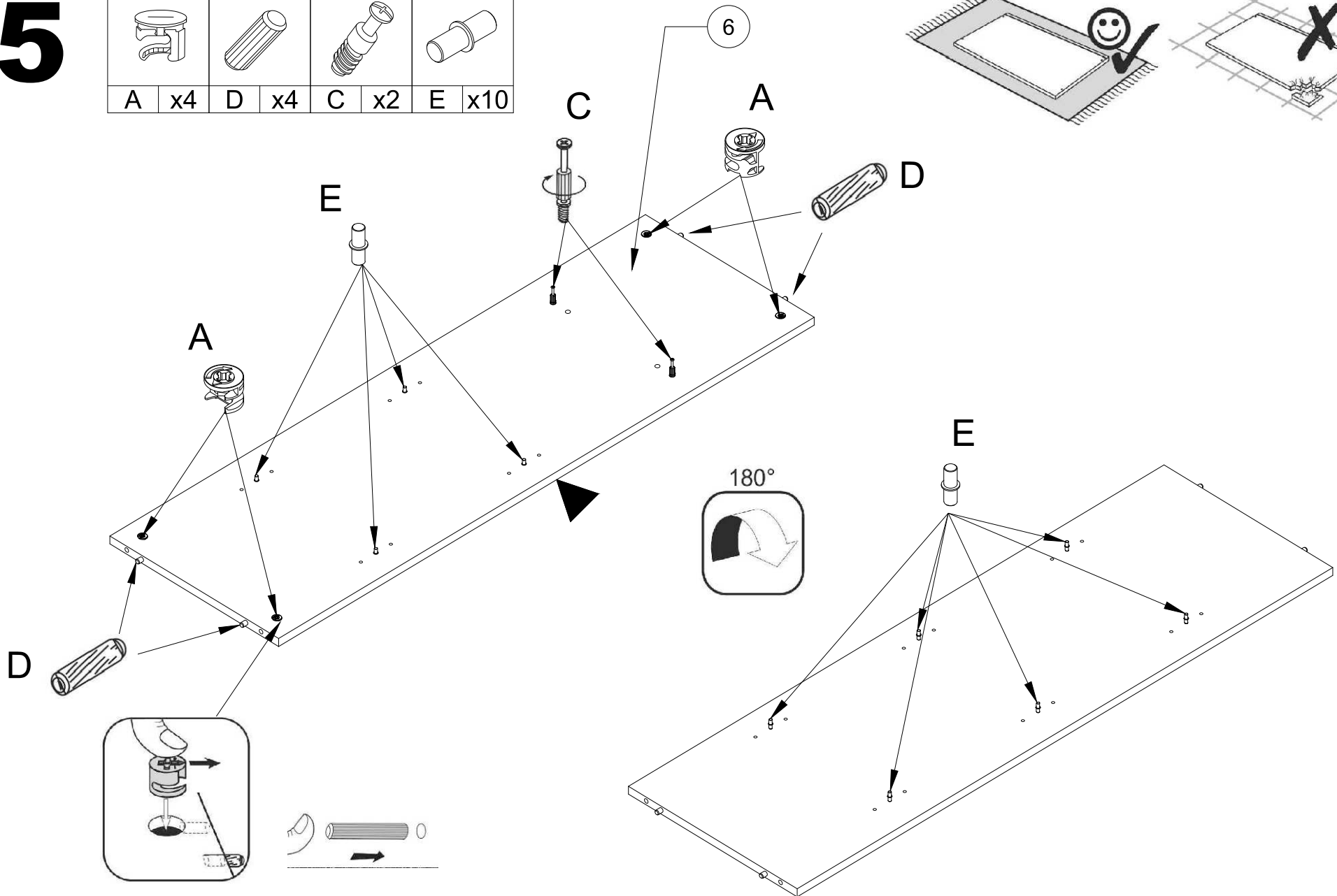
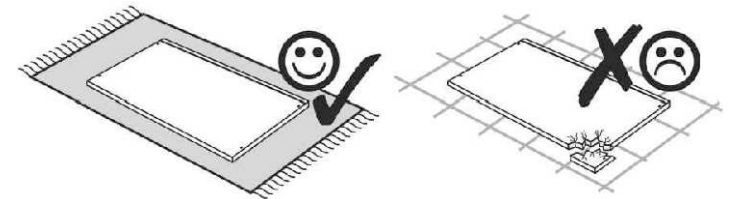
4

	Ø15x12mm	Ø8x30mm		
K2 x3	A x4	D x4	C x2	E x10

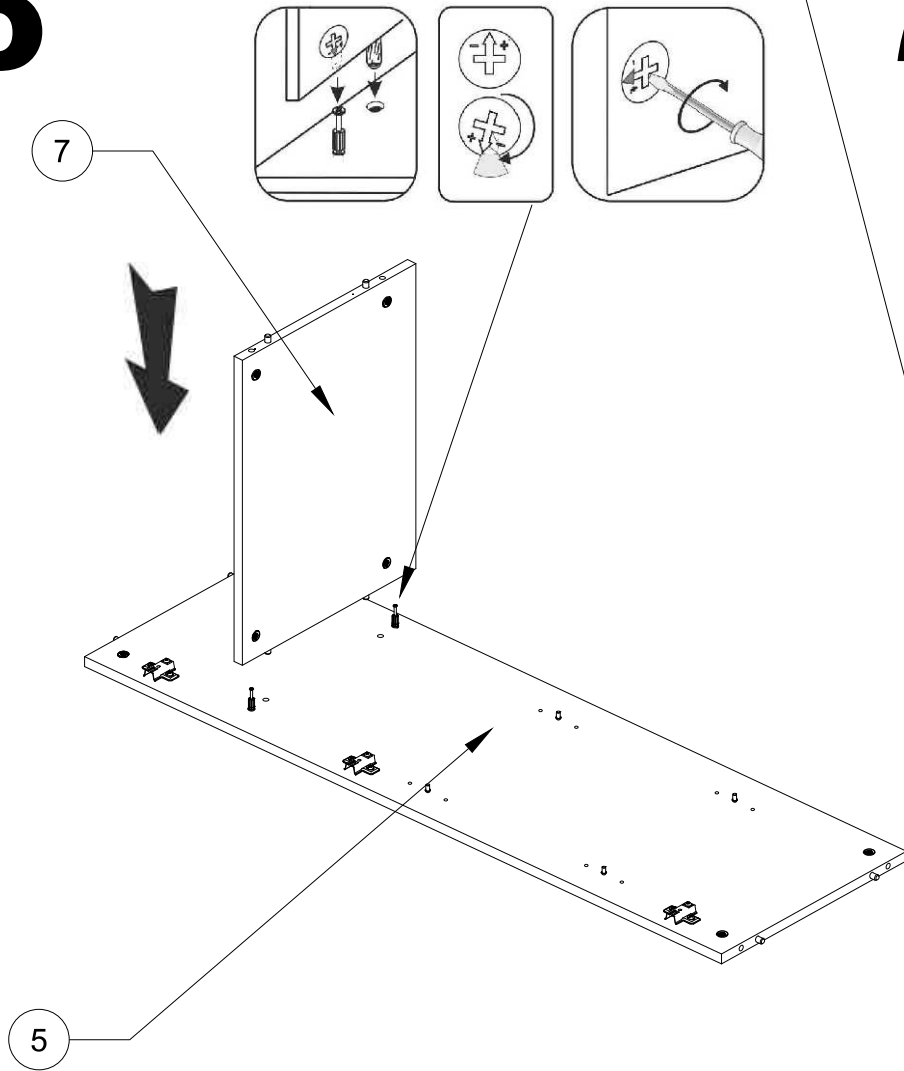


5

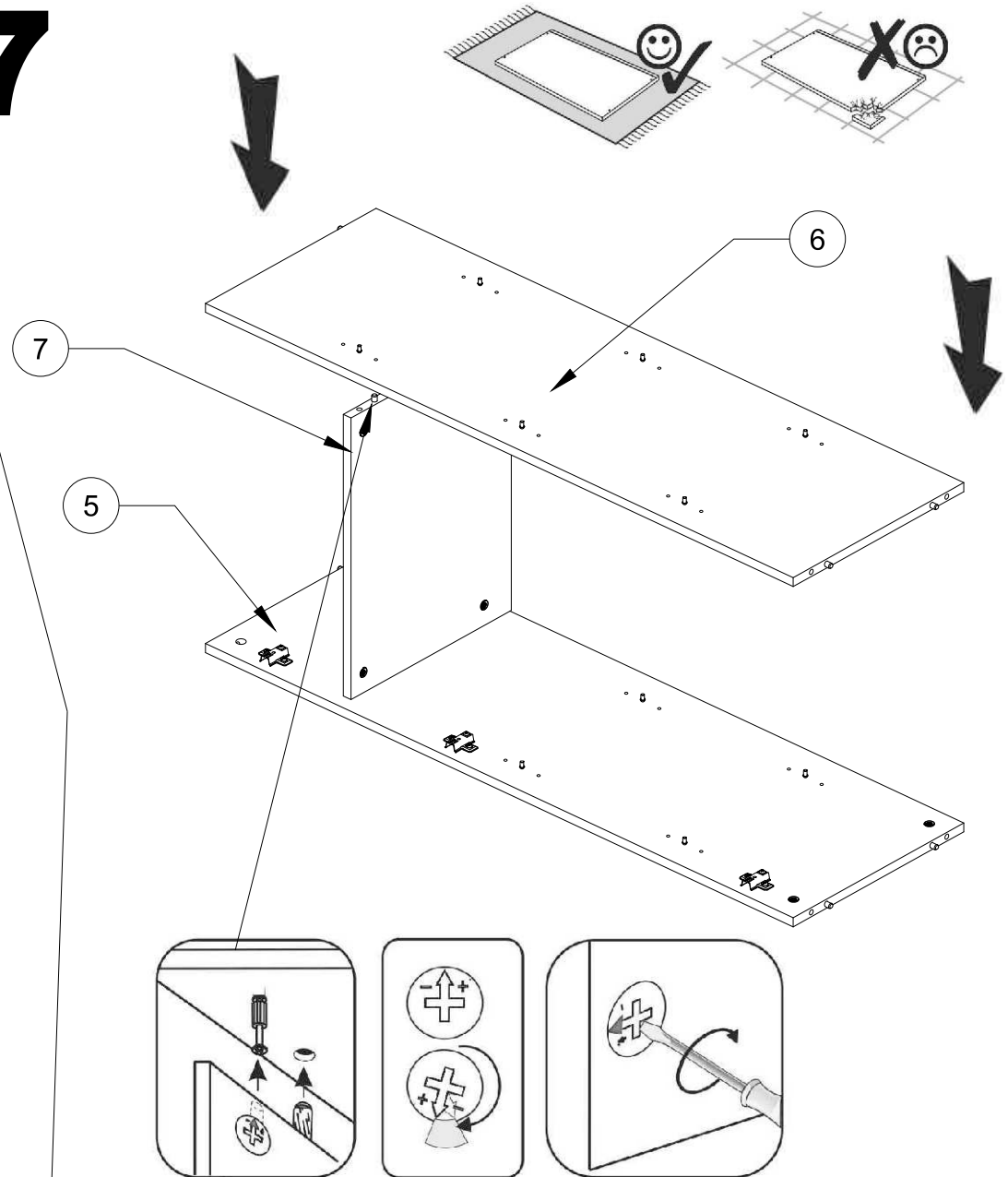
Ø15x12mm	Ø8x30mm		
A x4	D x4	C x2	E x10



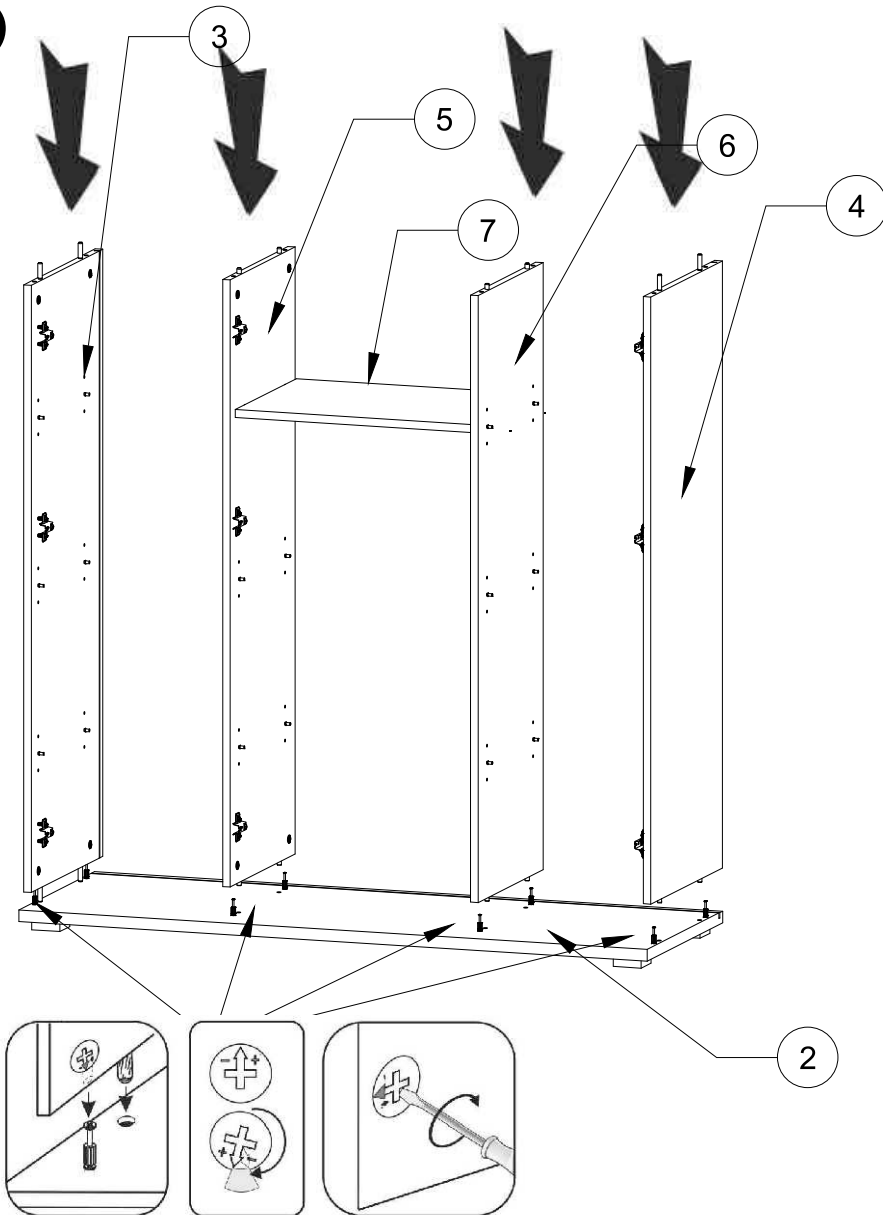
6



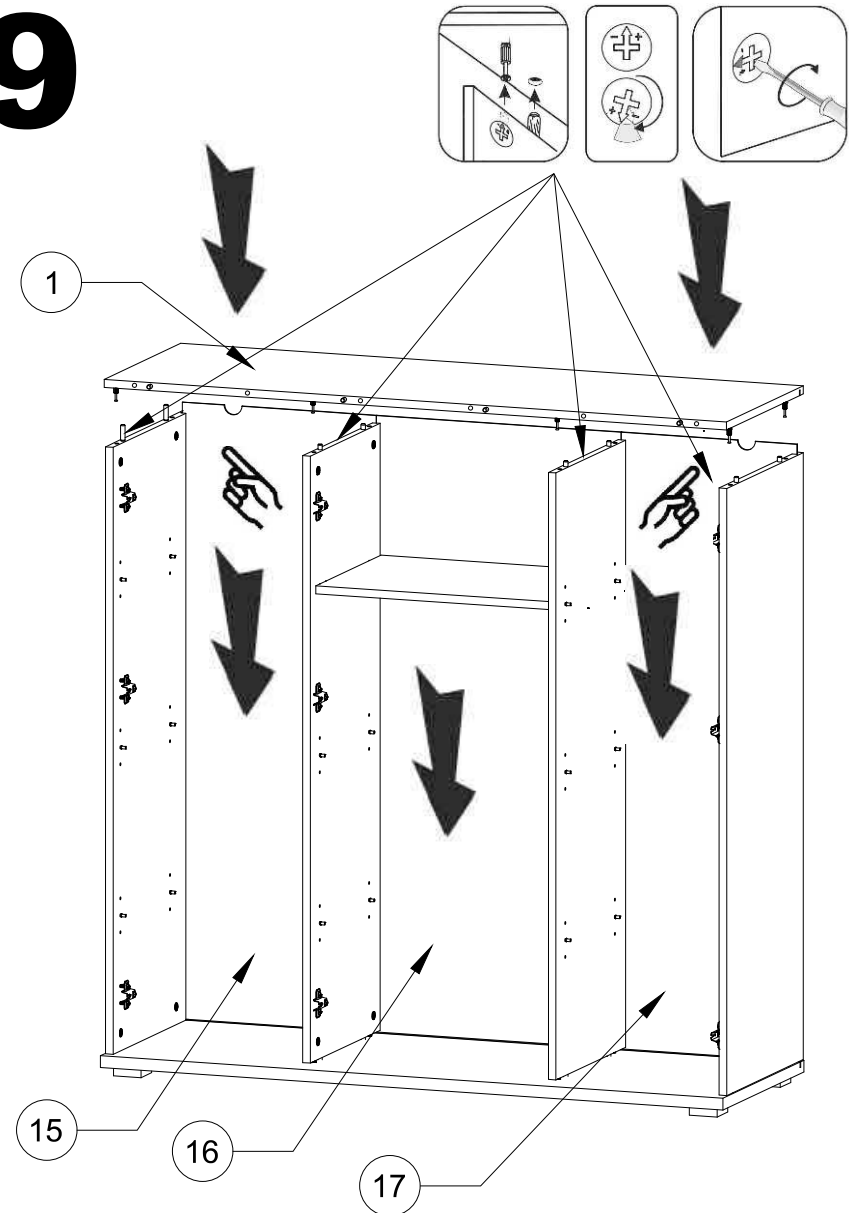
7



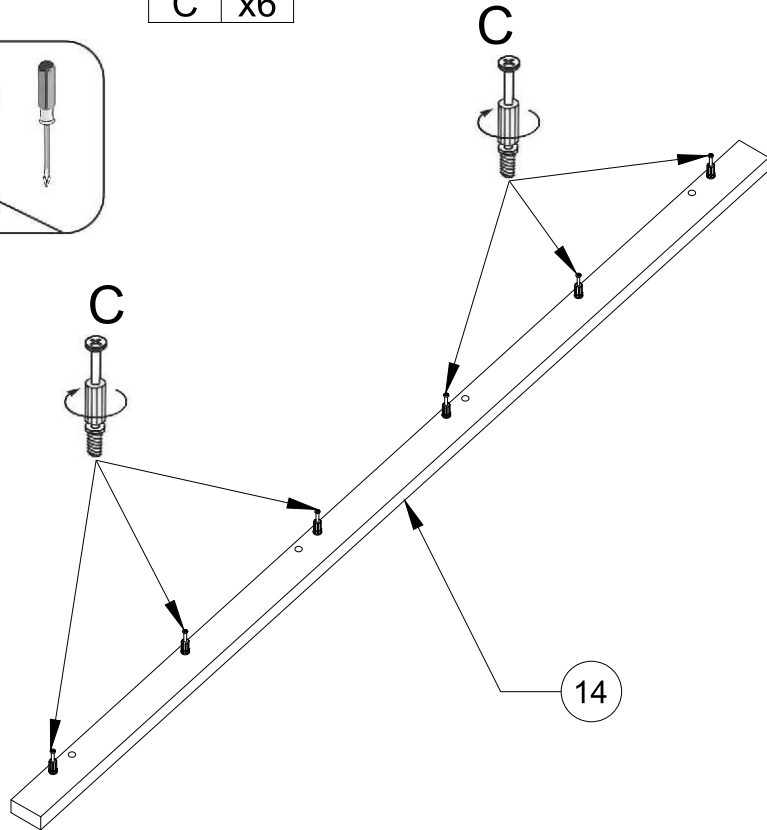
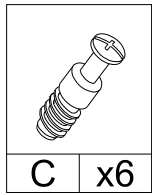
8



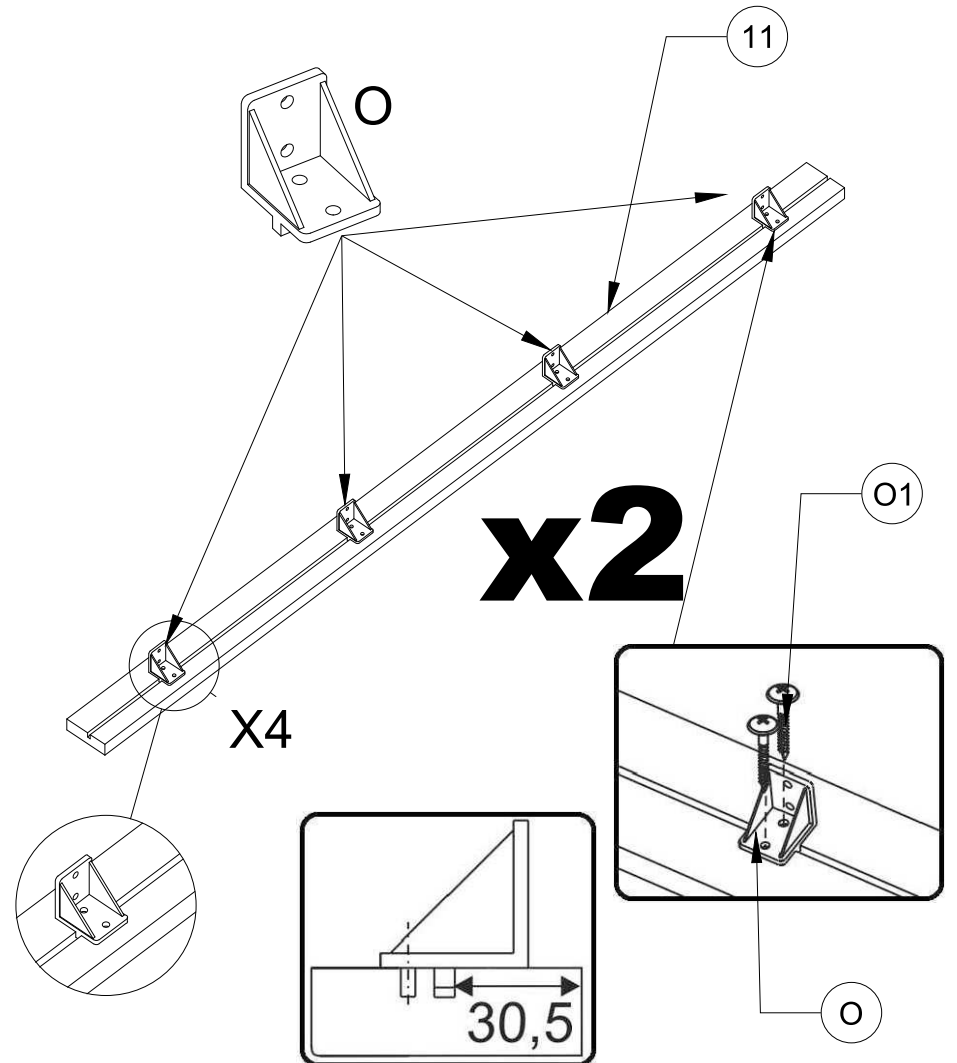
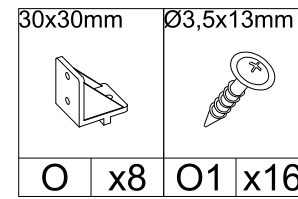
9



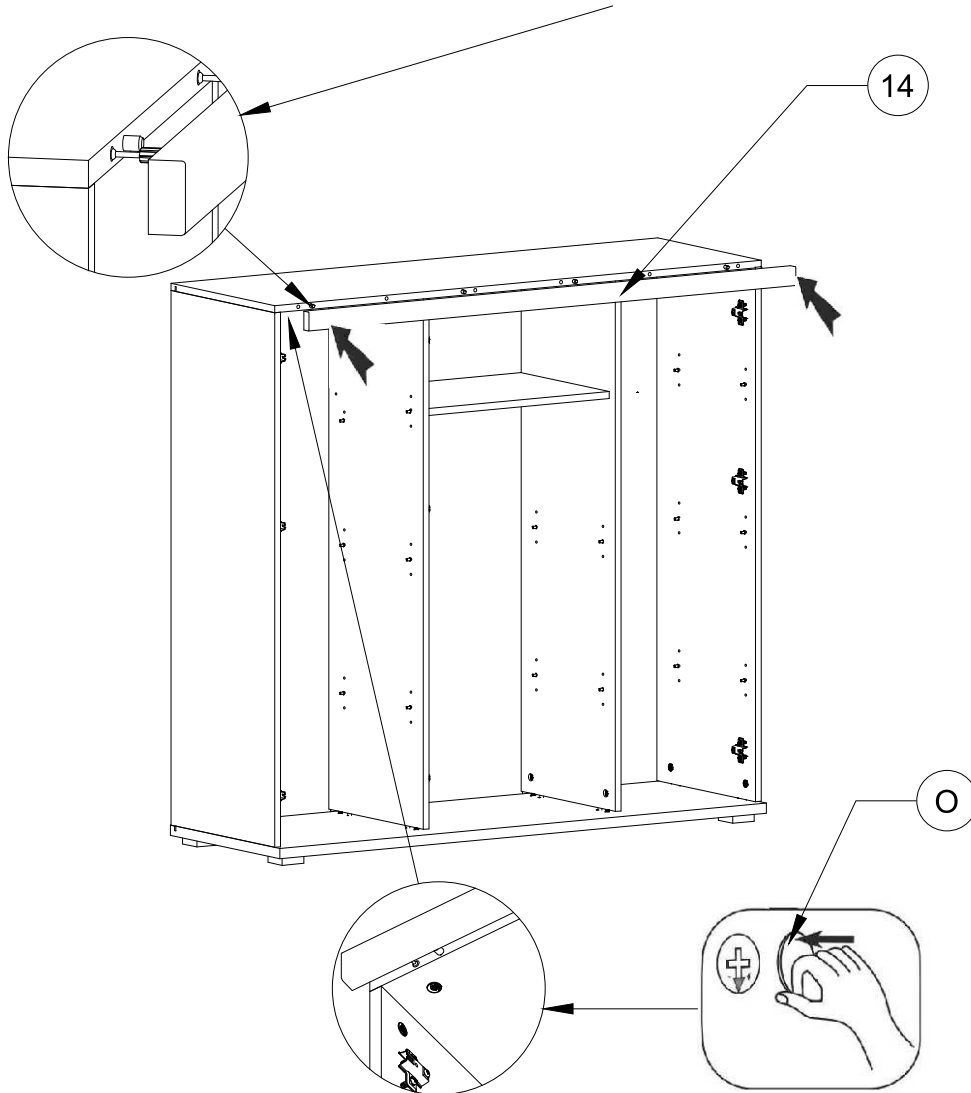
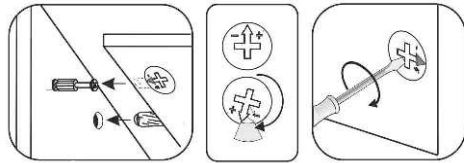
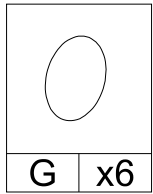
10



11



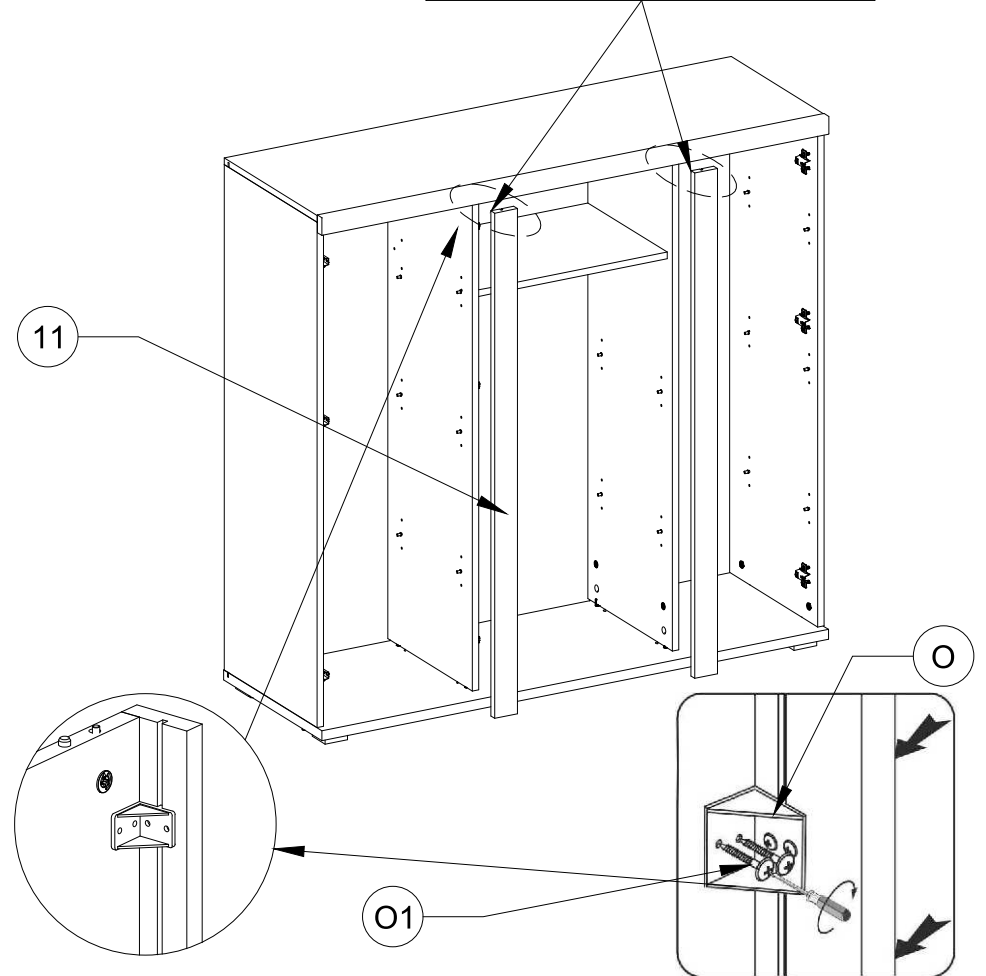
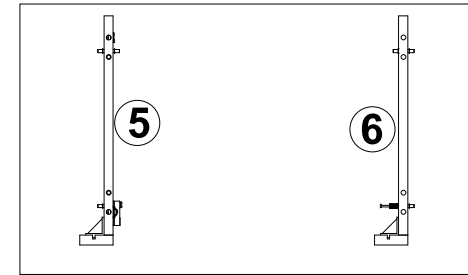
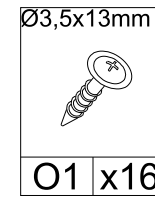
12



14

O

13

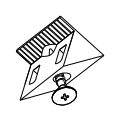

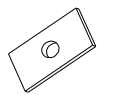


11

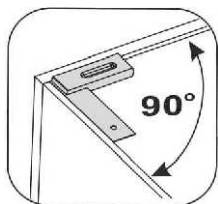
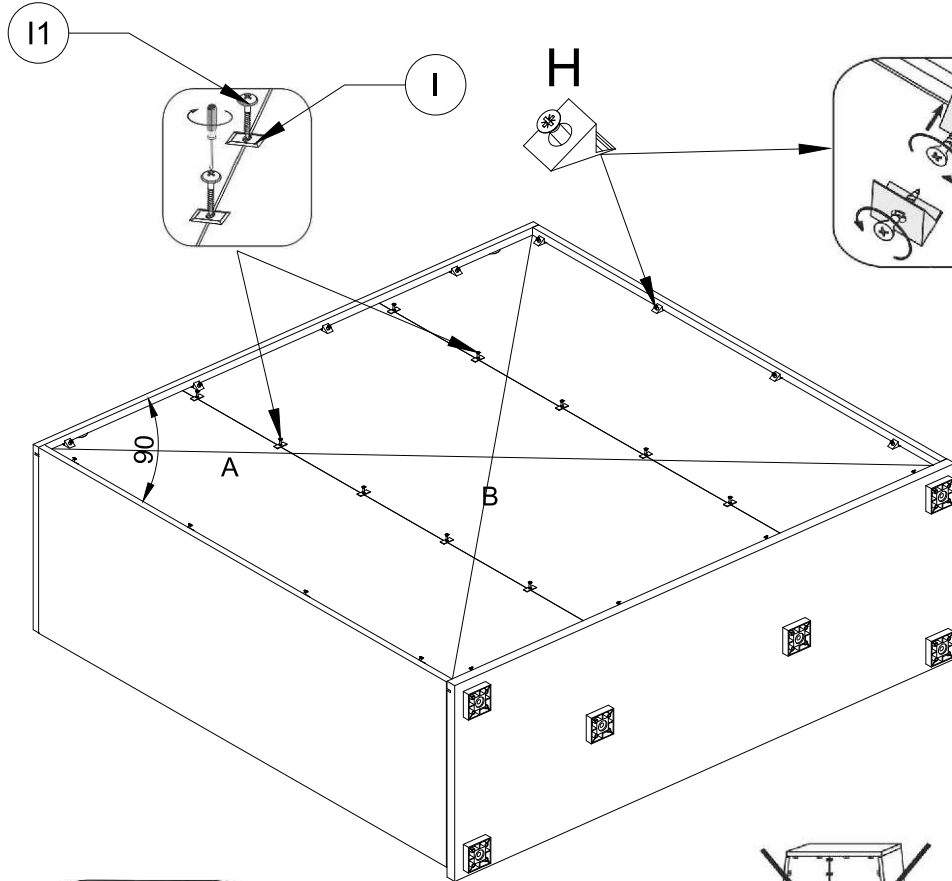
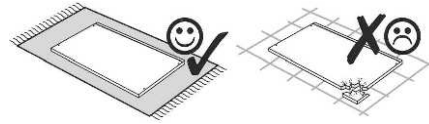
O1

O

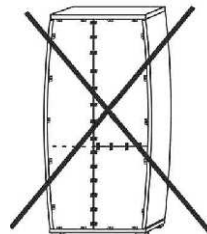
14

		
H x16	I1 x10	I x10




Ø3x16mm



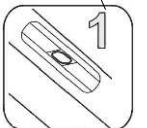
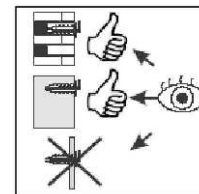
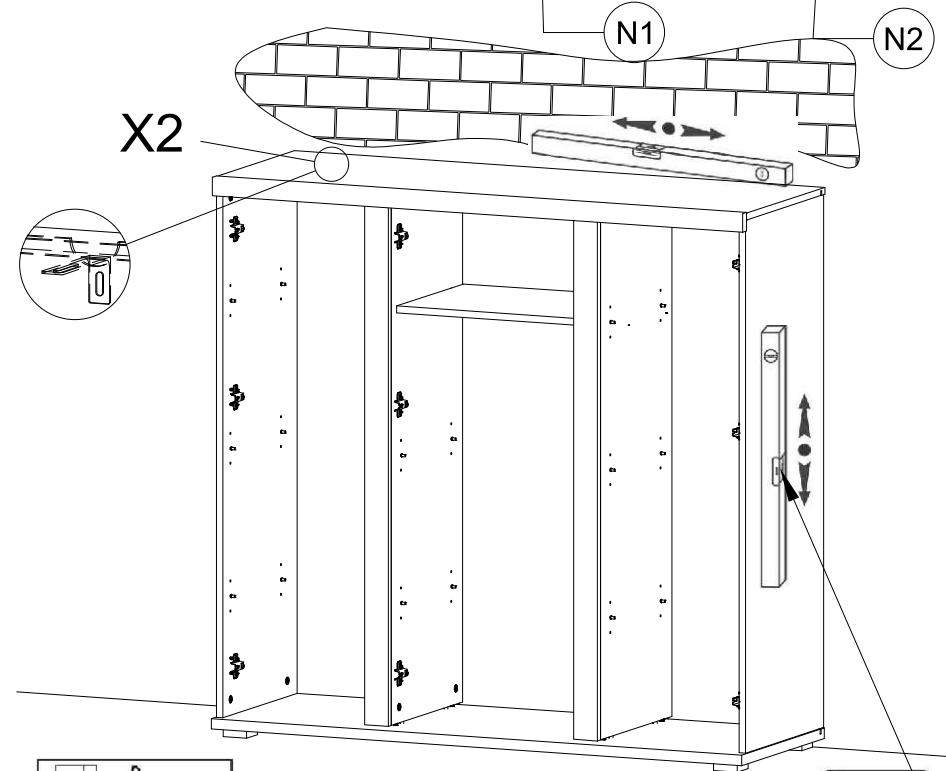
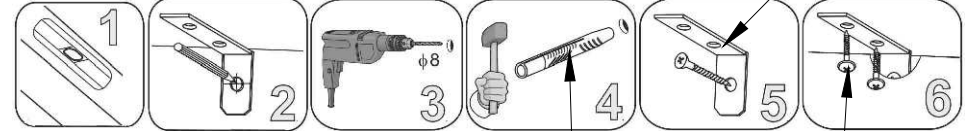
A=B



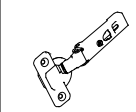
15

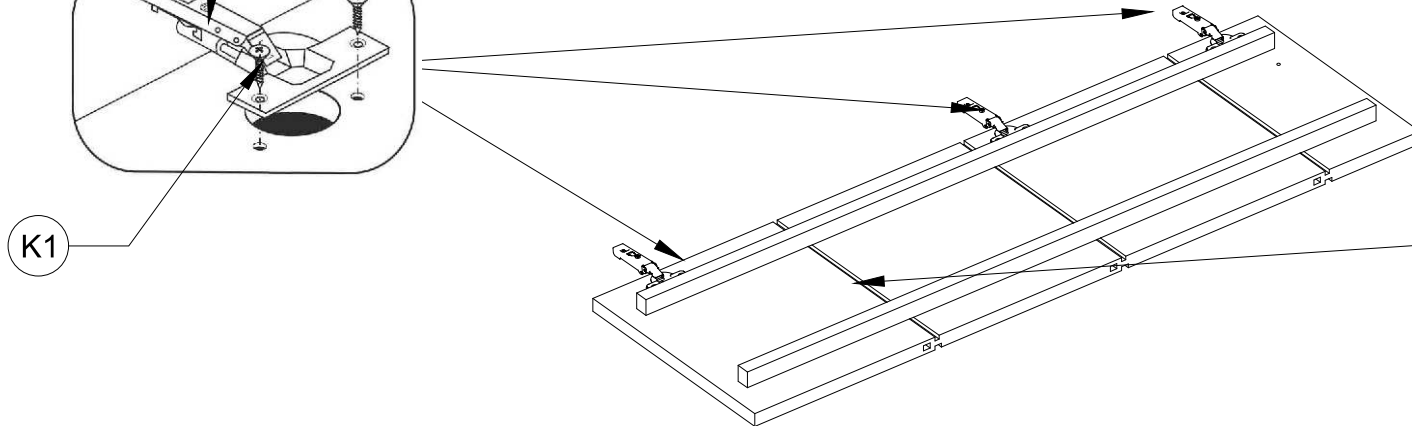
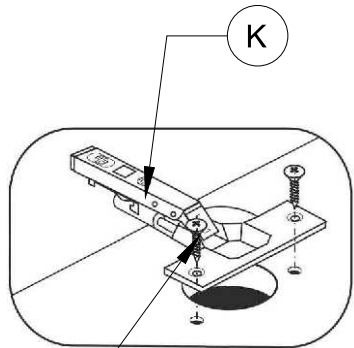
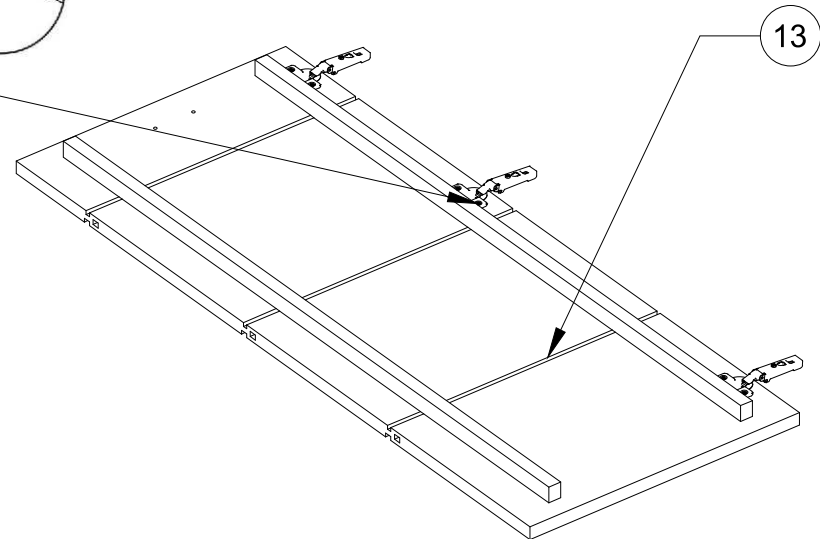
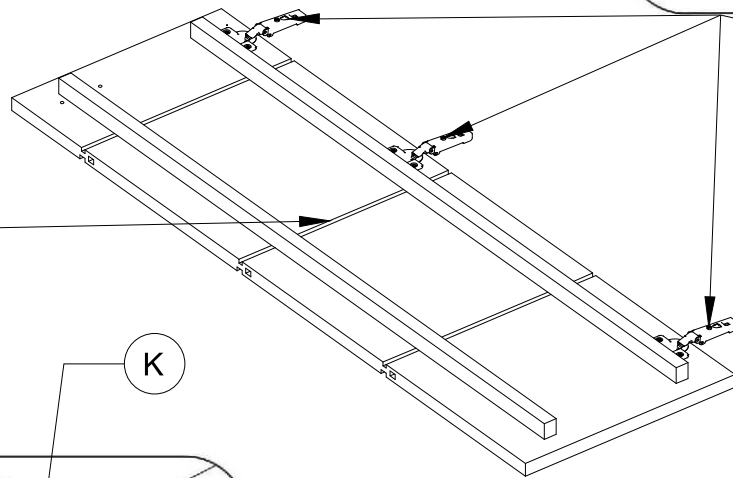
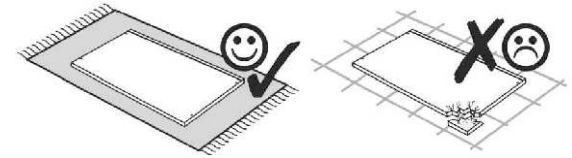
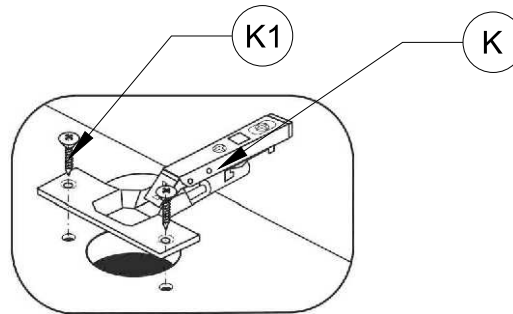
		
N x2	N1 x2	N2 x4

Ø3,5x13mm

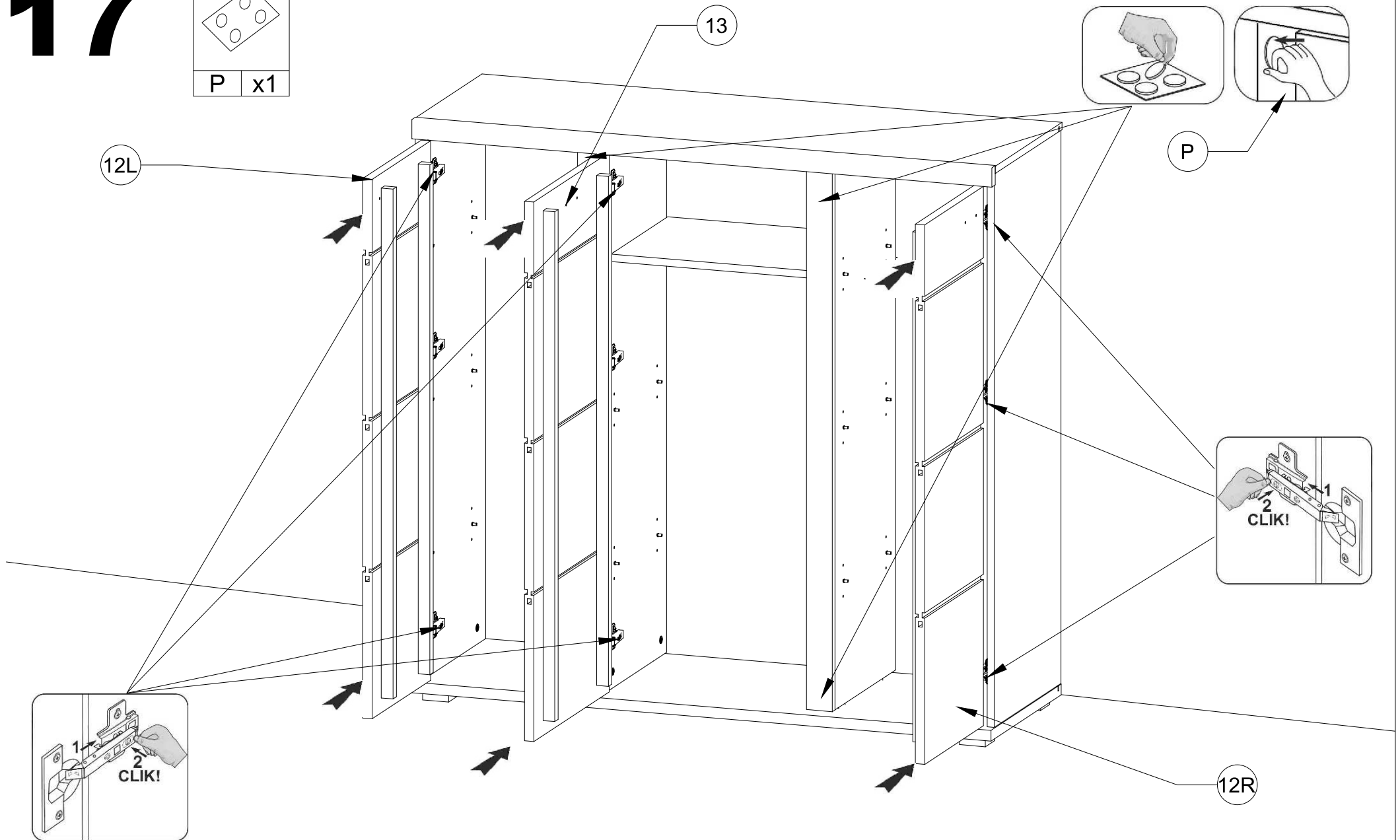
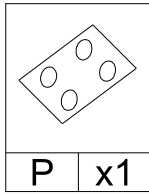


16

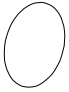


	$\varnothing 3,5 \times 13 \text{mm}$
K x9	K1 x18

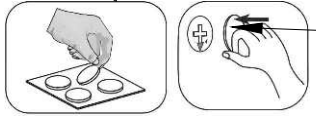
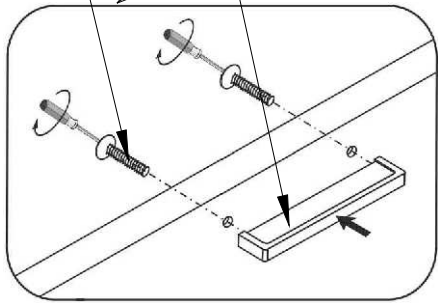
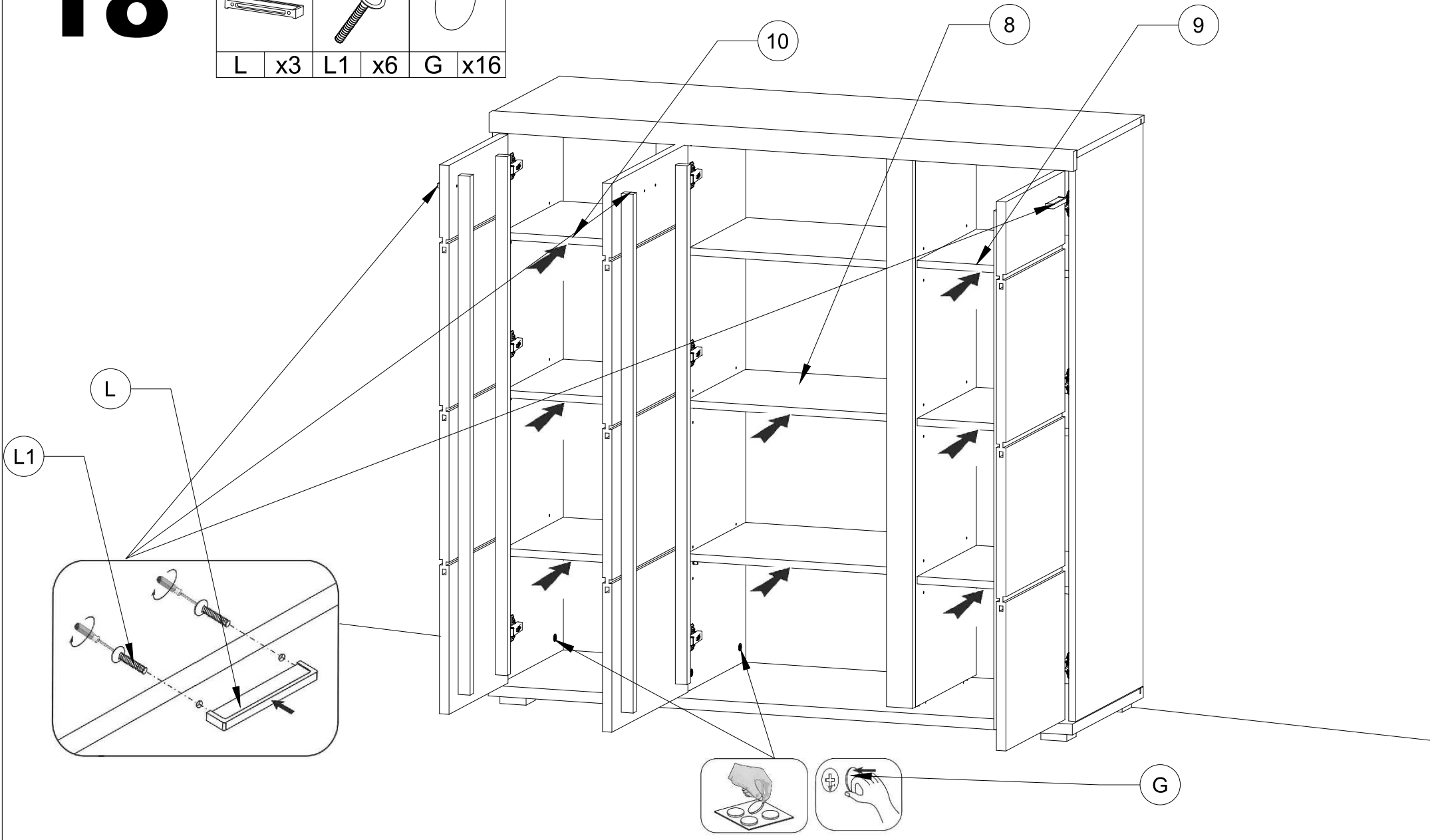


17



18

L-80mm		M4x25mm			
					
L	x3	L1	x6	G	x16



19

