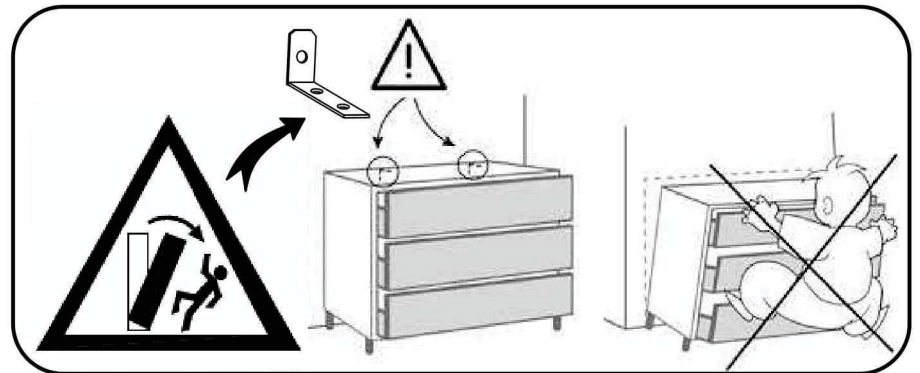
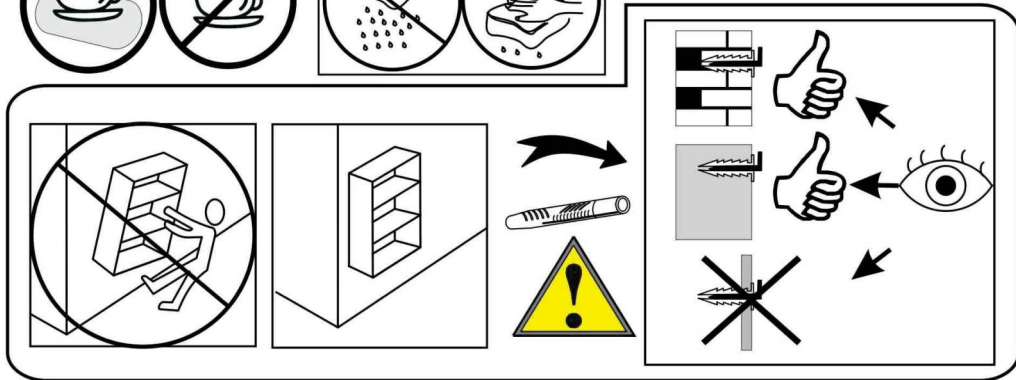
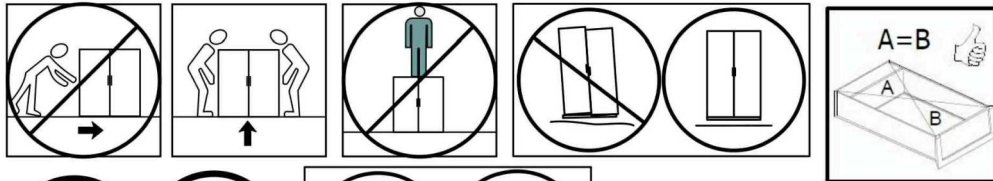
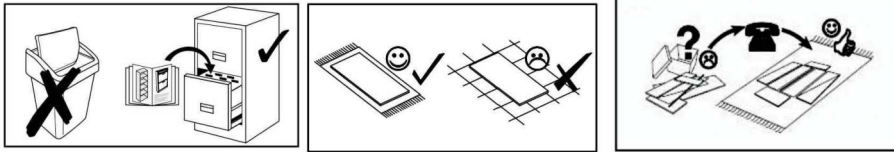
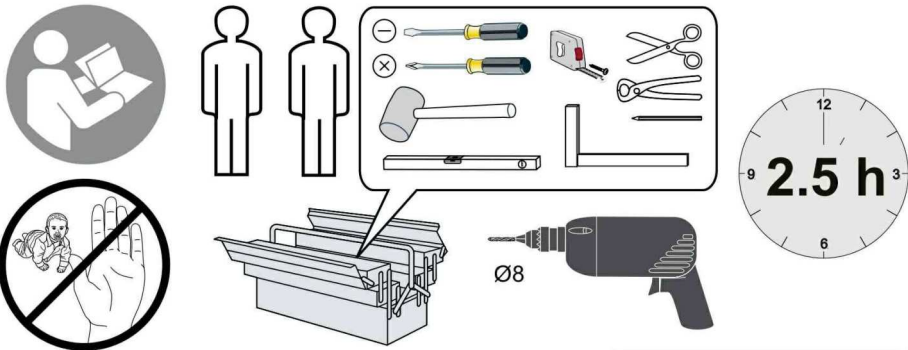
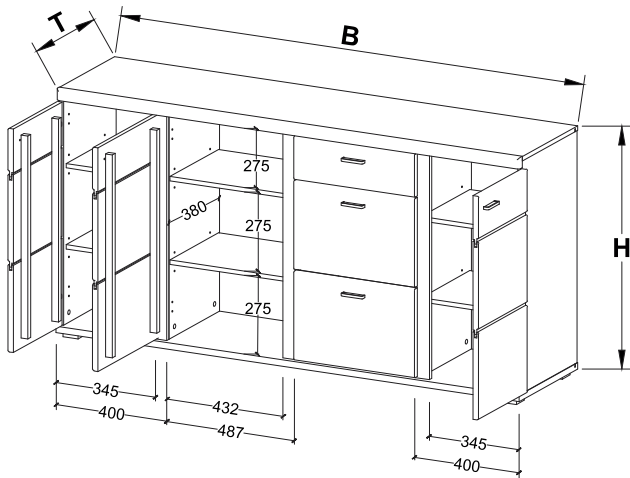


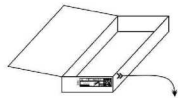
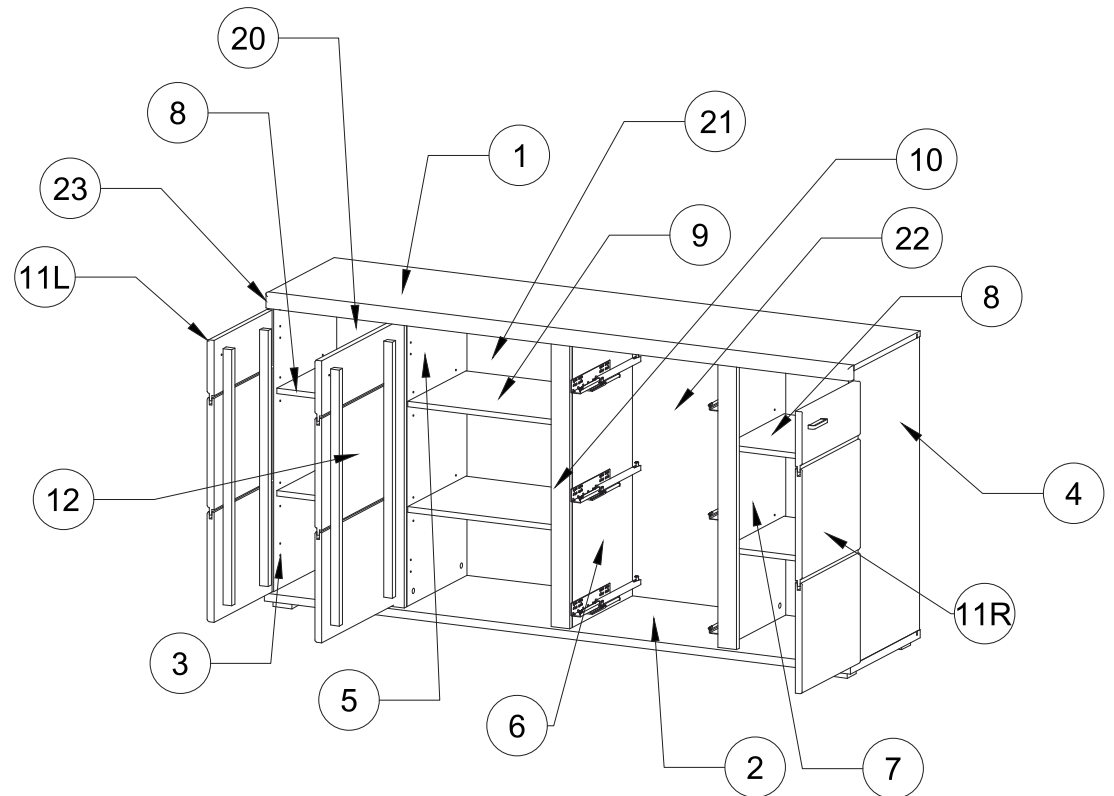
SONOS 5X 03 HU 25



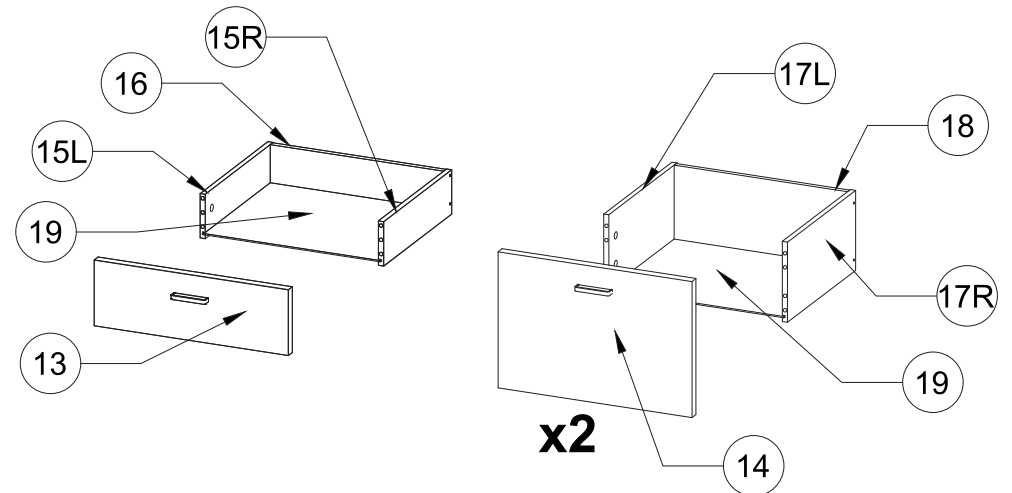
SONOS 5X 03 HU 25





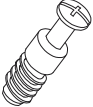
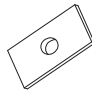
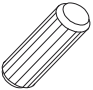
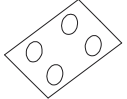
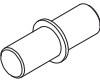

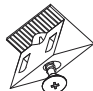

B- 1724 mm
H- 861 mm
T- 420 mm

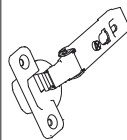
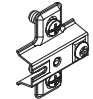



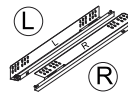




1	1722	398	1	3
2	1722	420	1	3
3,4	802	398	2	3
5	802	362	1	2
6,7	802	362	2	2
8	365	340	4	1
9	467	340	2	1
10	802	55	3	1
11L,11R	350	772	2	2
12	450	772	1	1
13	450	148	1	1
14	450	308	2	1
15L,15R	355	100	2	1
16	400	100	1	1
17L,17R	355	180	4	1
18	400	180	2	1
19	411	347	3	1
20	813	378	2	3
21	813	482	1	1
22	813	454	1	1
23	1724	40	1	3

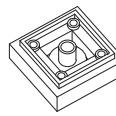



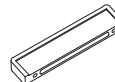

SONOS 5X 03 HU 25

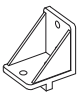

	
A x26	I1 x15
	
C x36	I x15
	
D x46	P x2
	
E x24	G x26
	
H x20	G1 x10

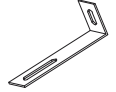



K x6

K2 x6

K1 x12

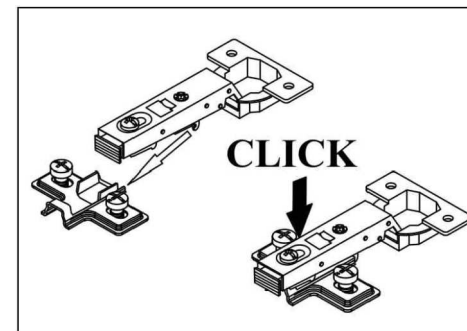
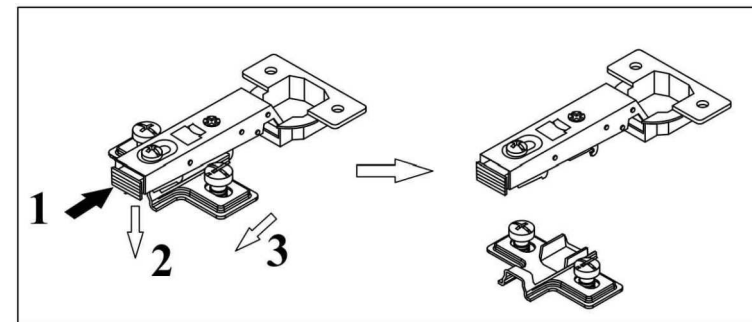

J x3

J1 x12

J2 x12

B x10

F x12


M x7

M1 x28

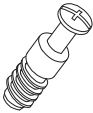


L x6

L1 x12

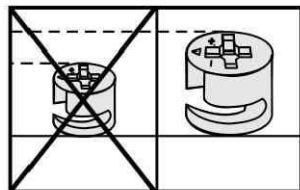
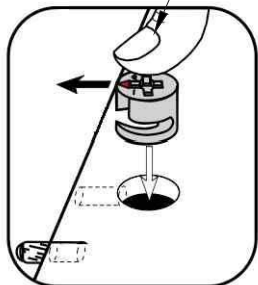
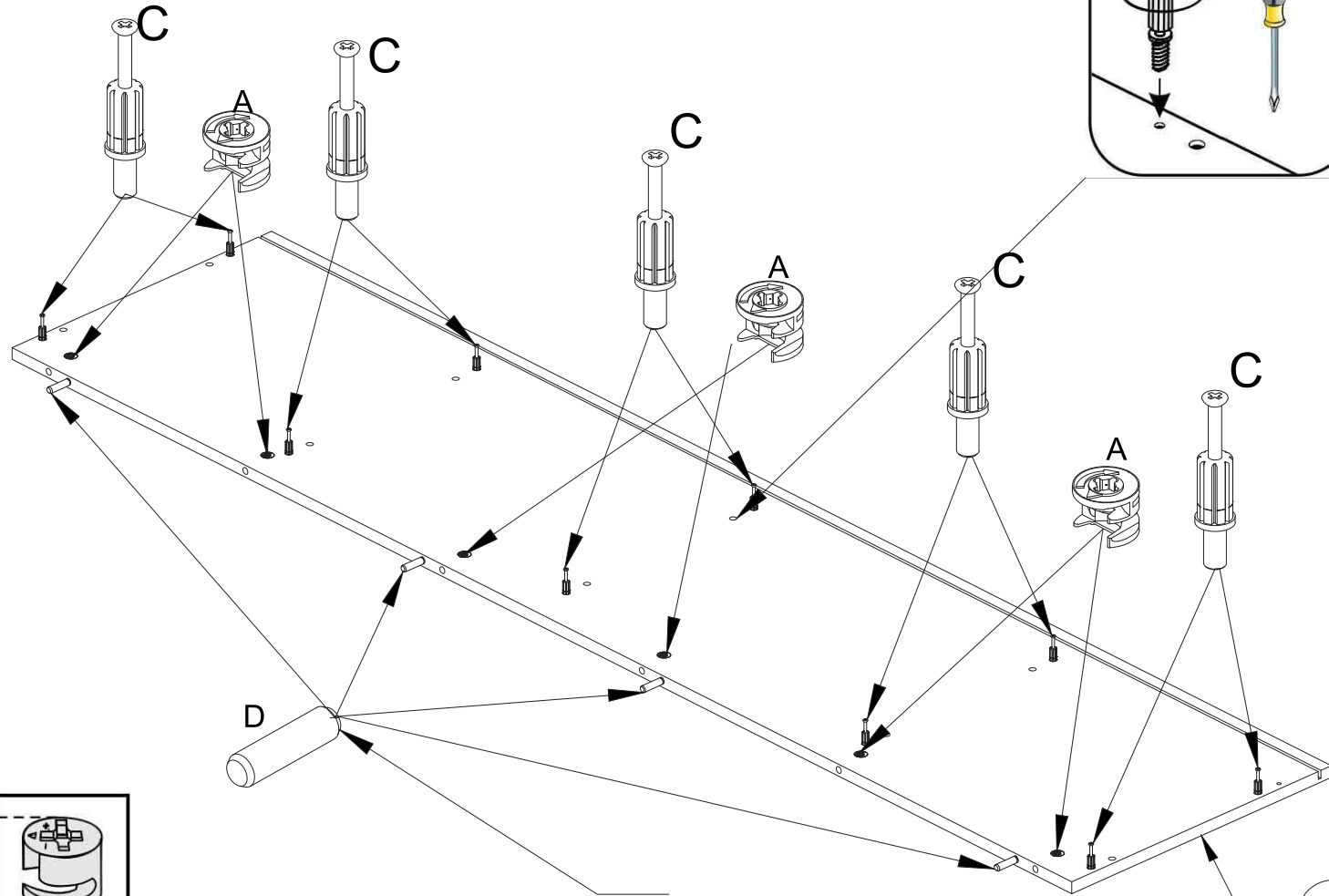
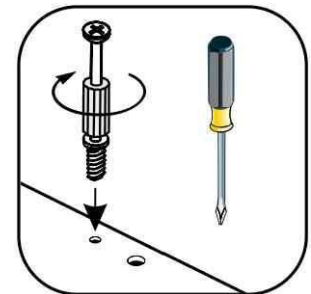
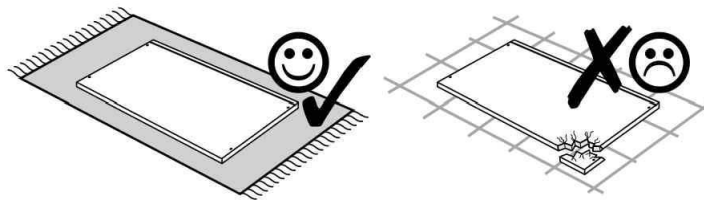

O x9

O1 x36


N x2

N1 x2

N2 x4



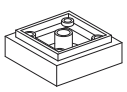

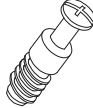
1

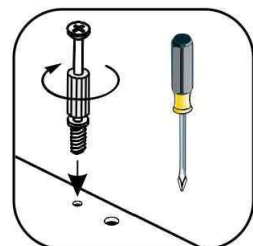
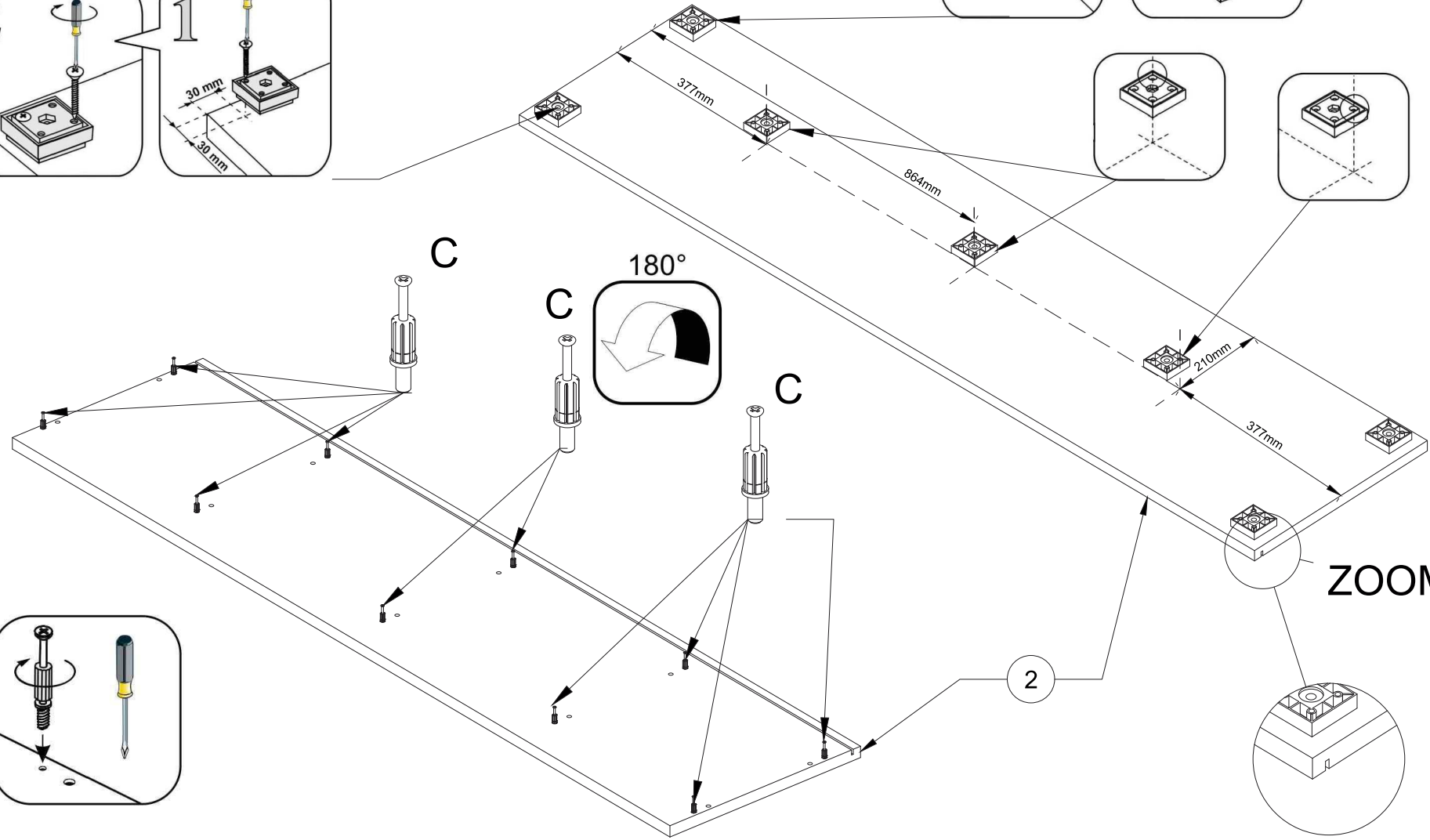
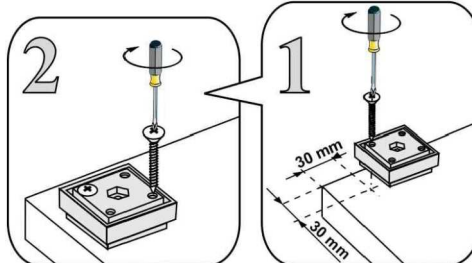
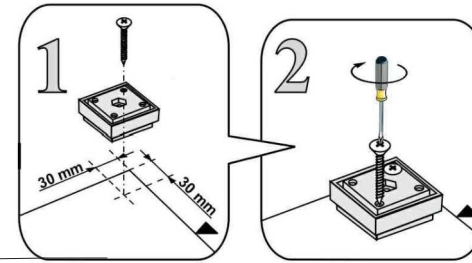
	Ø15x12mm	Ø8x30mm
		
C x10	A x6	D x4



1

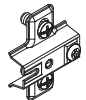

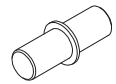

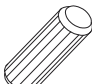
2

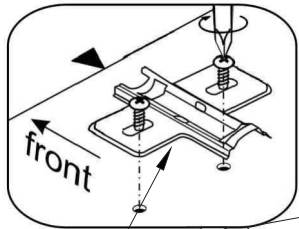
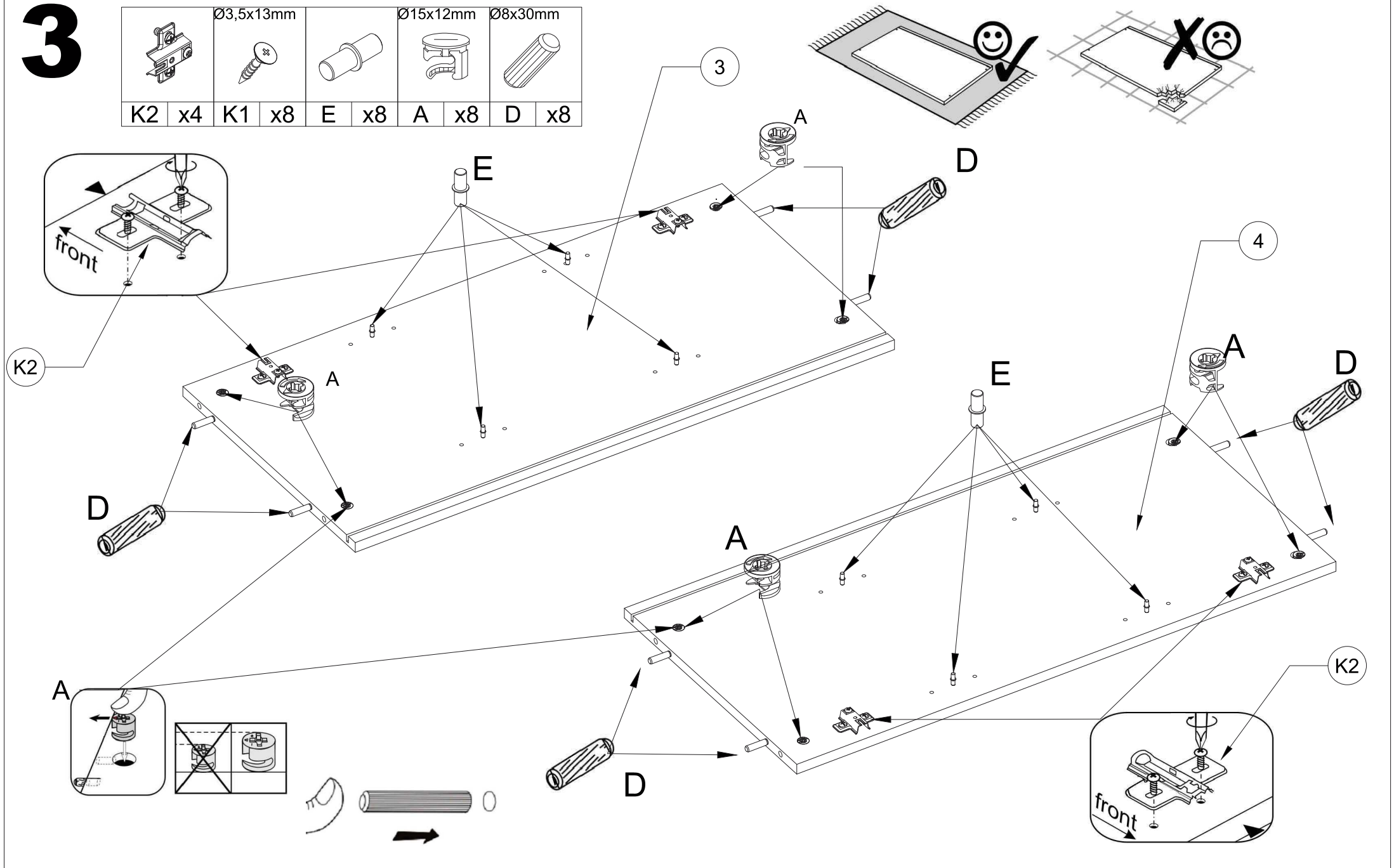
55x55x20	Ø4x30mm	
		
M x7	M1 x28	C x10



ZOOM

3

				
Ø3,5x13mm			Ø15x12mm	Ø8x30mm
K2 x4	K1 x8	E x8	A x8	D x8

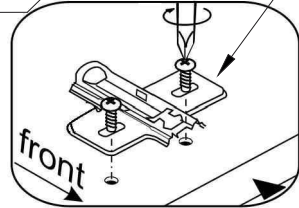
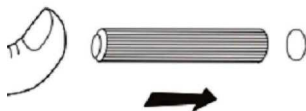
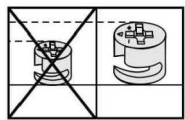
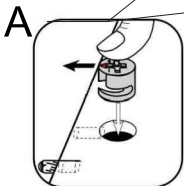


K2

3

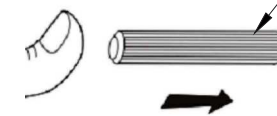
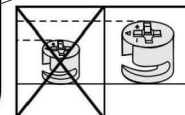
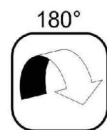
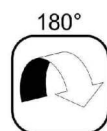
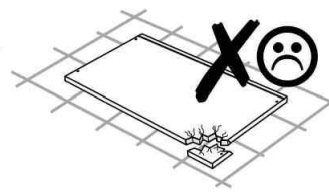
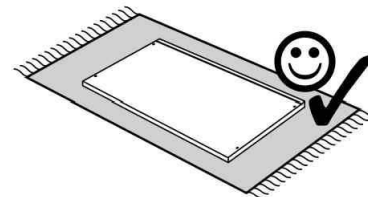
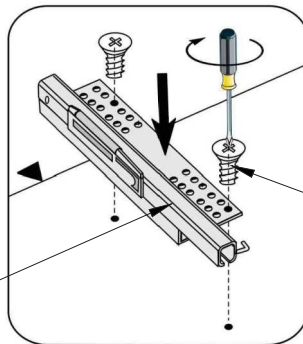
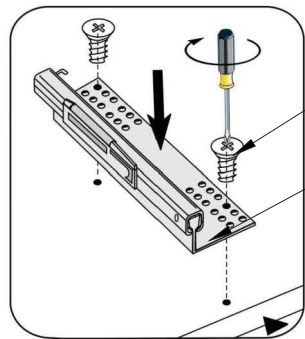
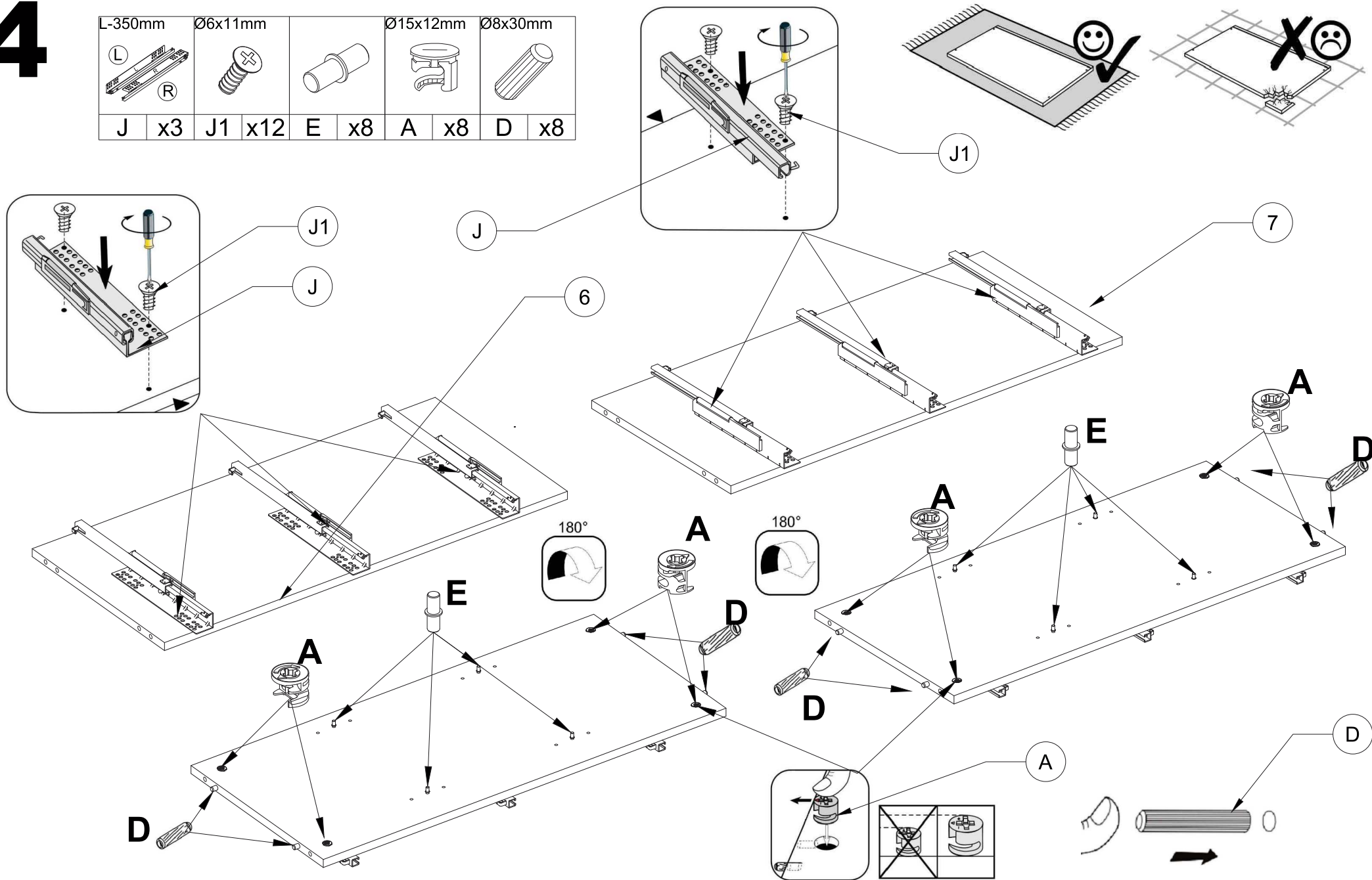
4

K2

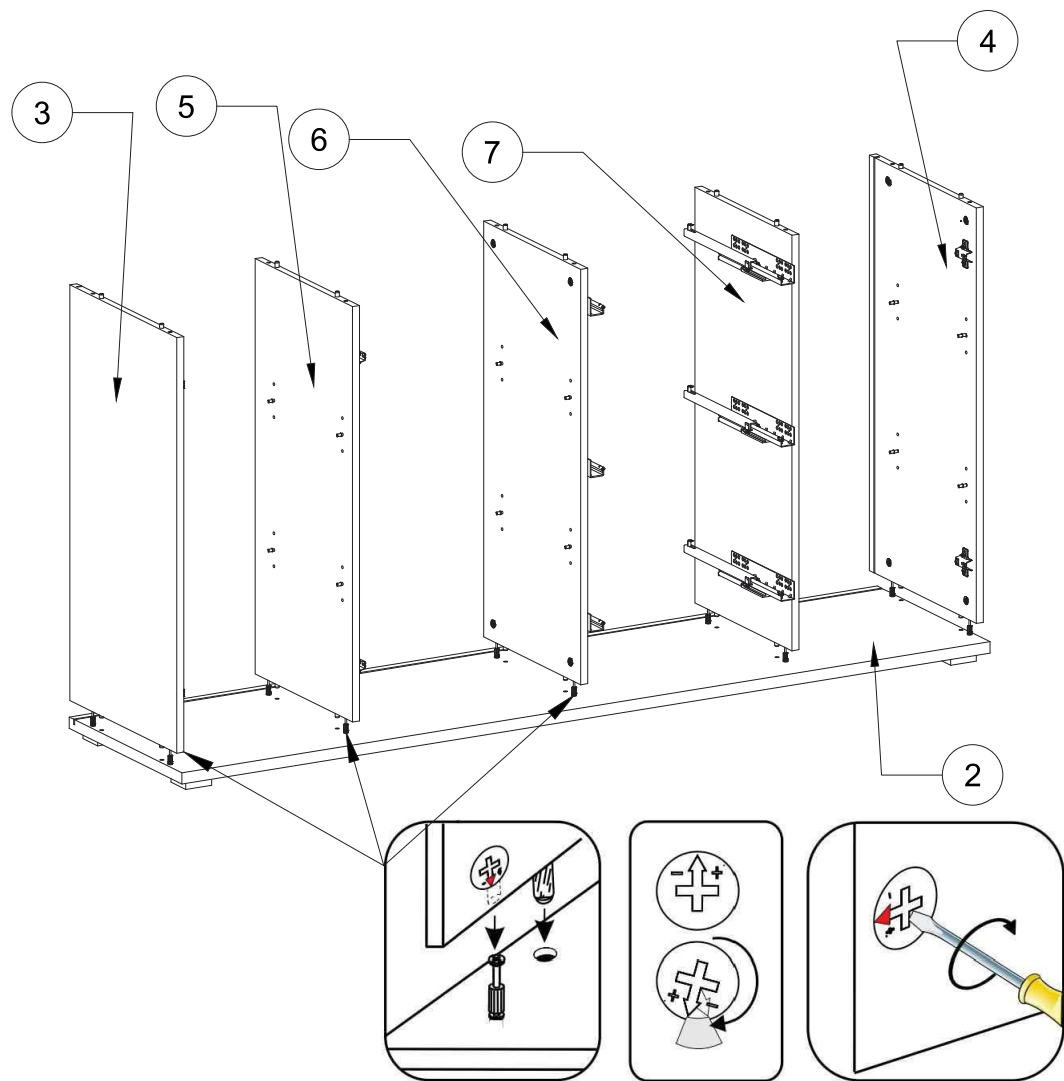


4

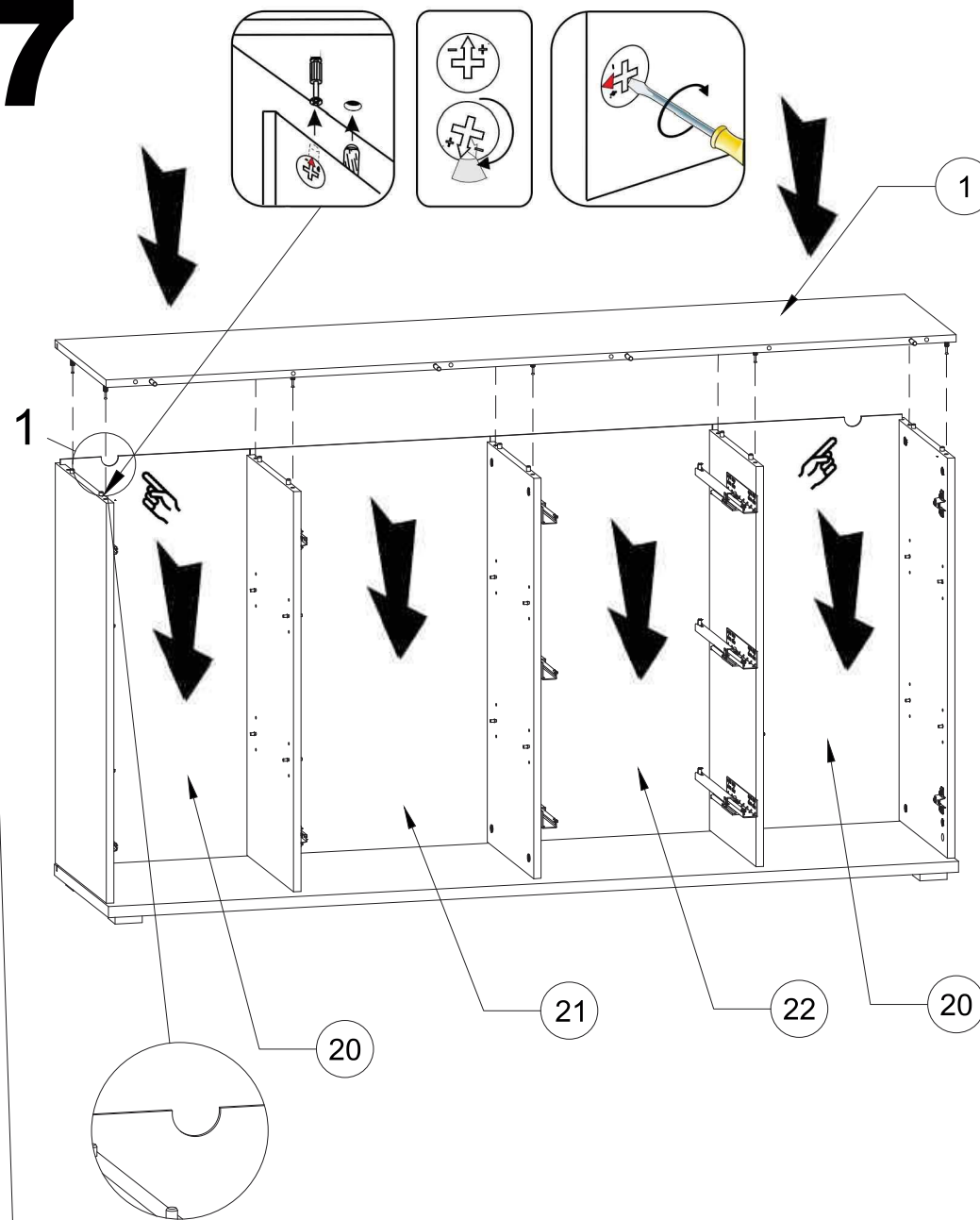
L-350mm	Ø6x11mm		Ø15x12mm	Ø8x30mm
J x3	J1 x12	E x8	A x8	D x8



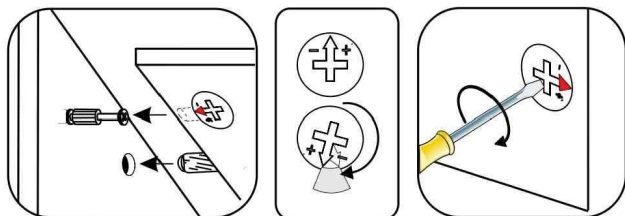
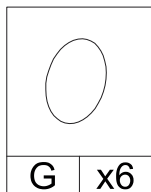
6



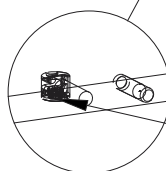
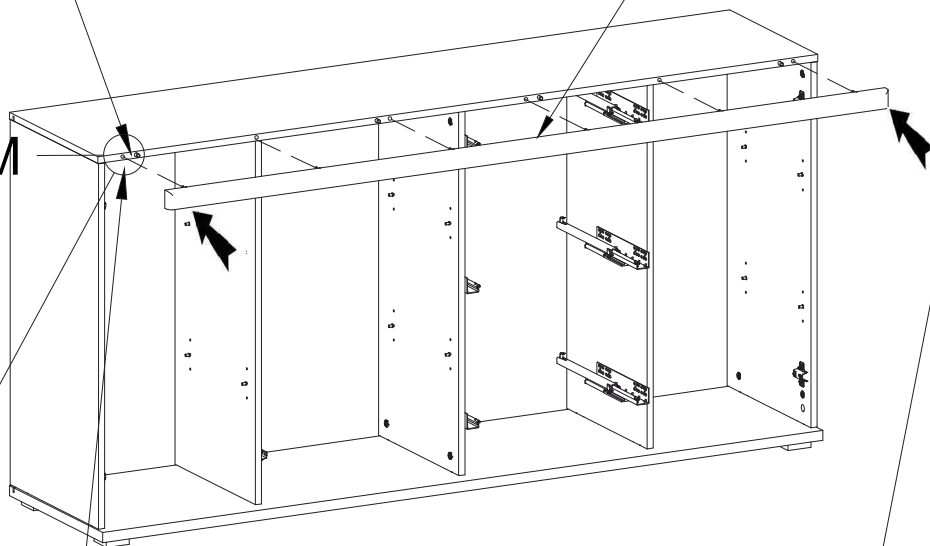
7



10



ZOOM



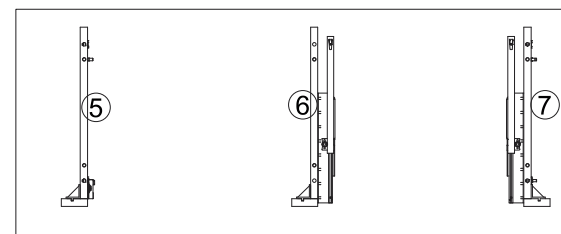
G

11

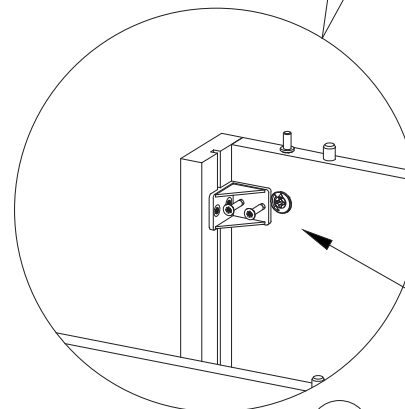
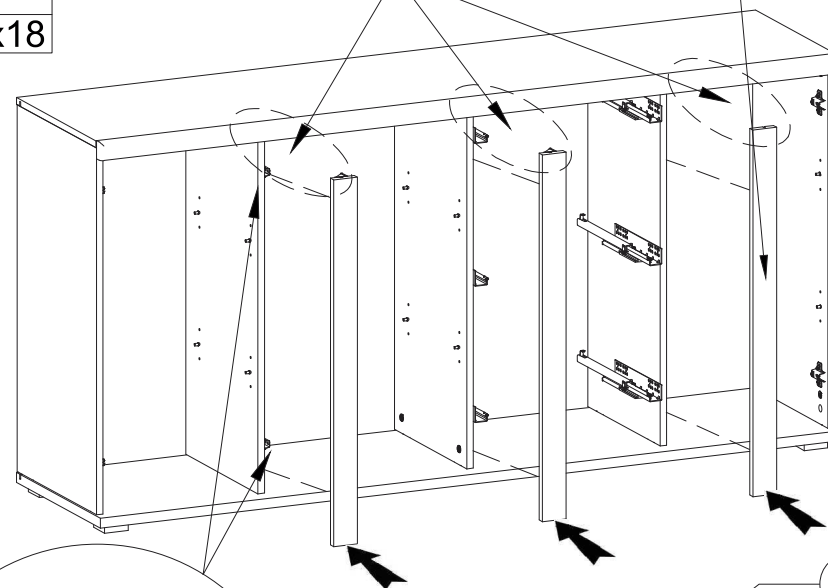
Ø3,5x13mm



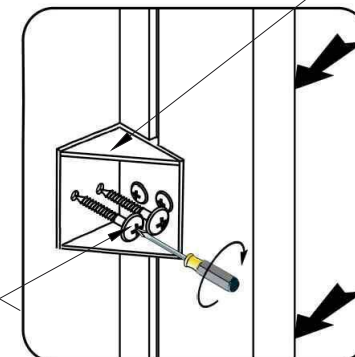
O1 x18



10



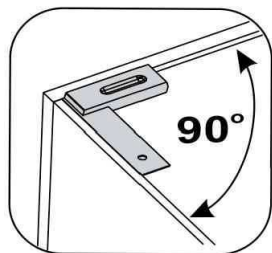
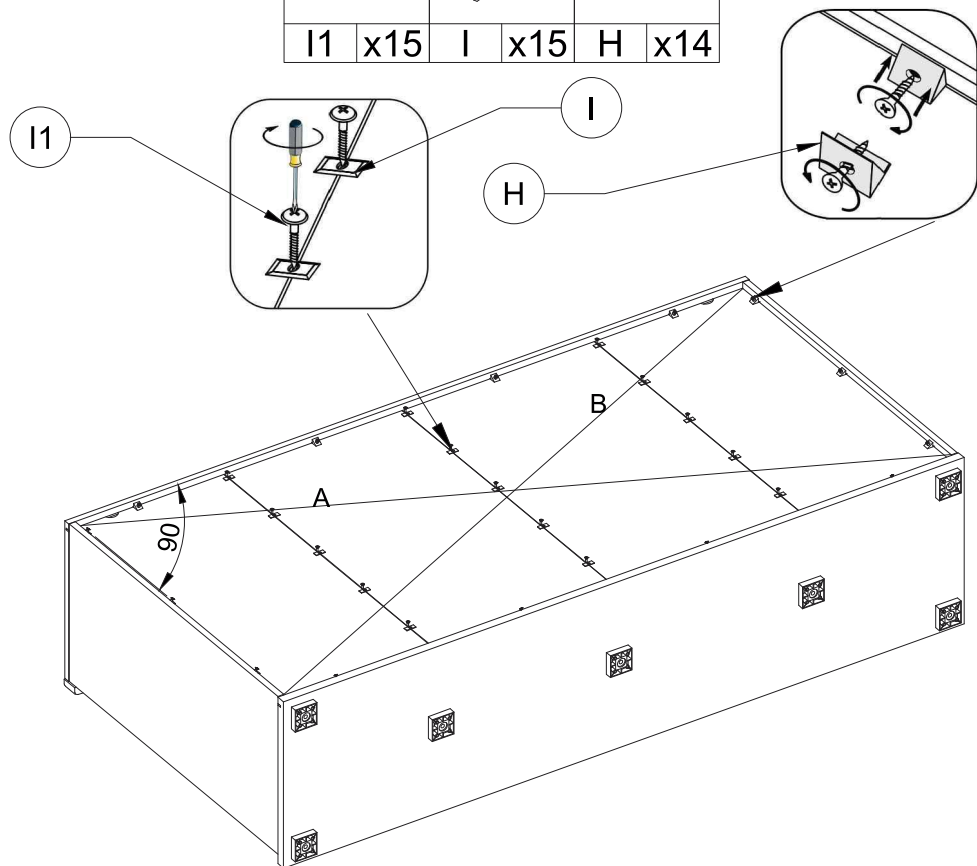
O1



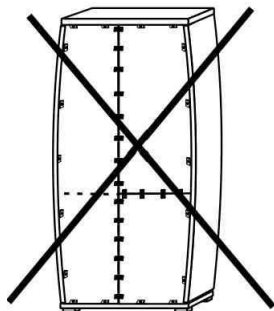
O

12

Ø3x16mm		
I1 x15	I x15	H x14

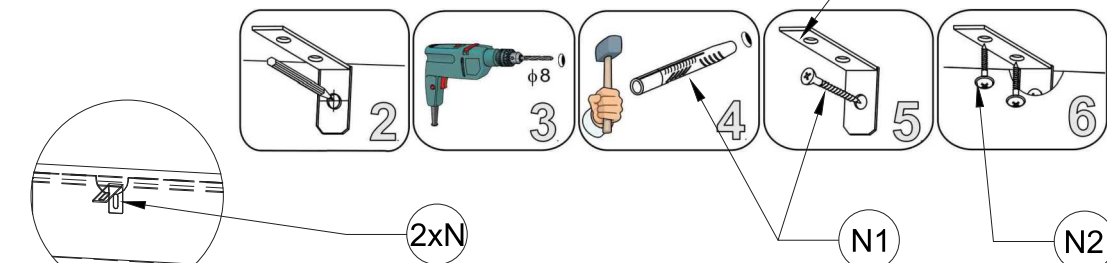


A=B

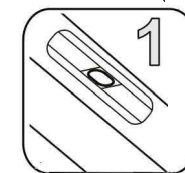
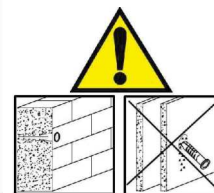
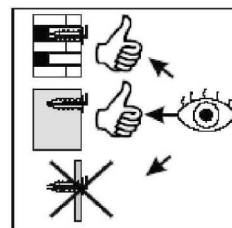
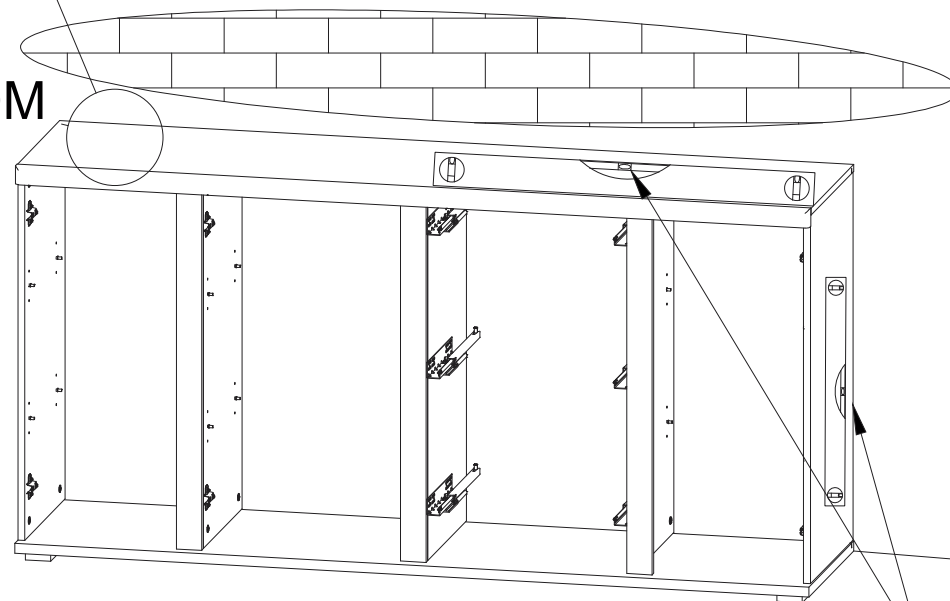


13

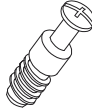
Ø3,5x13mm		
N x2	N1 x2	N2 x4




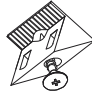
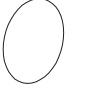
ZOOM

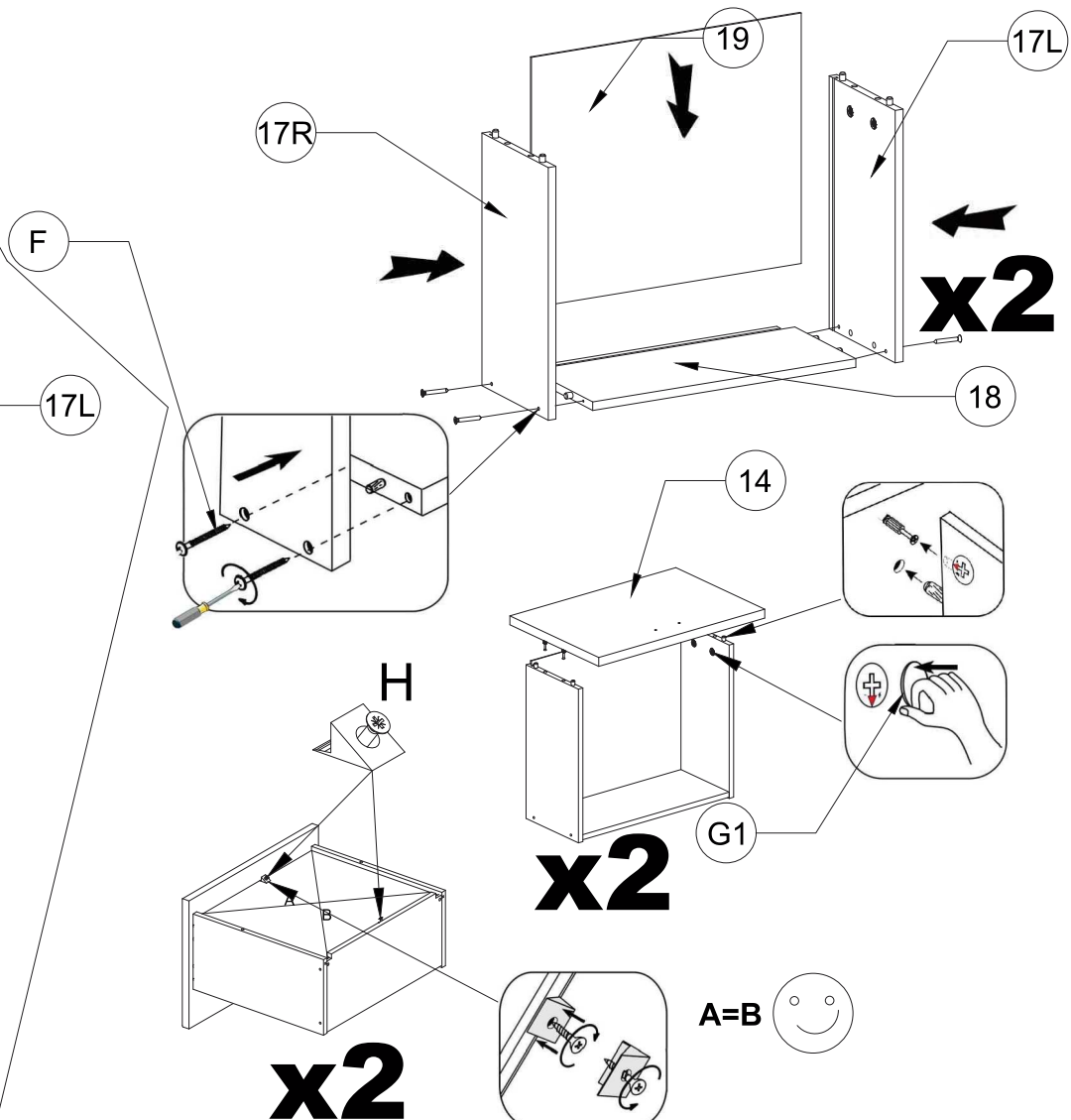
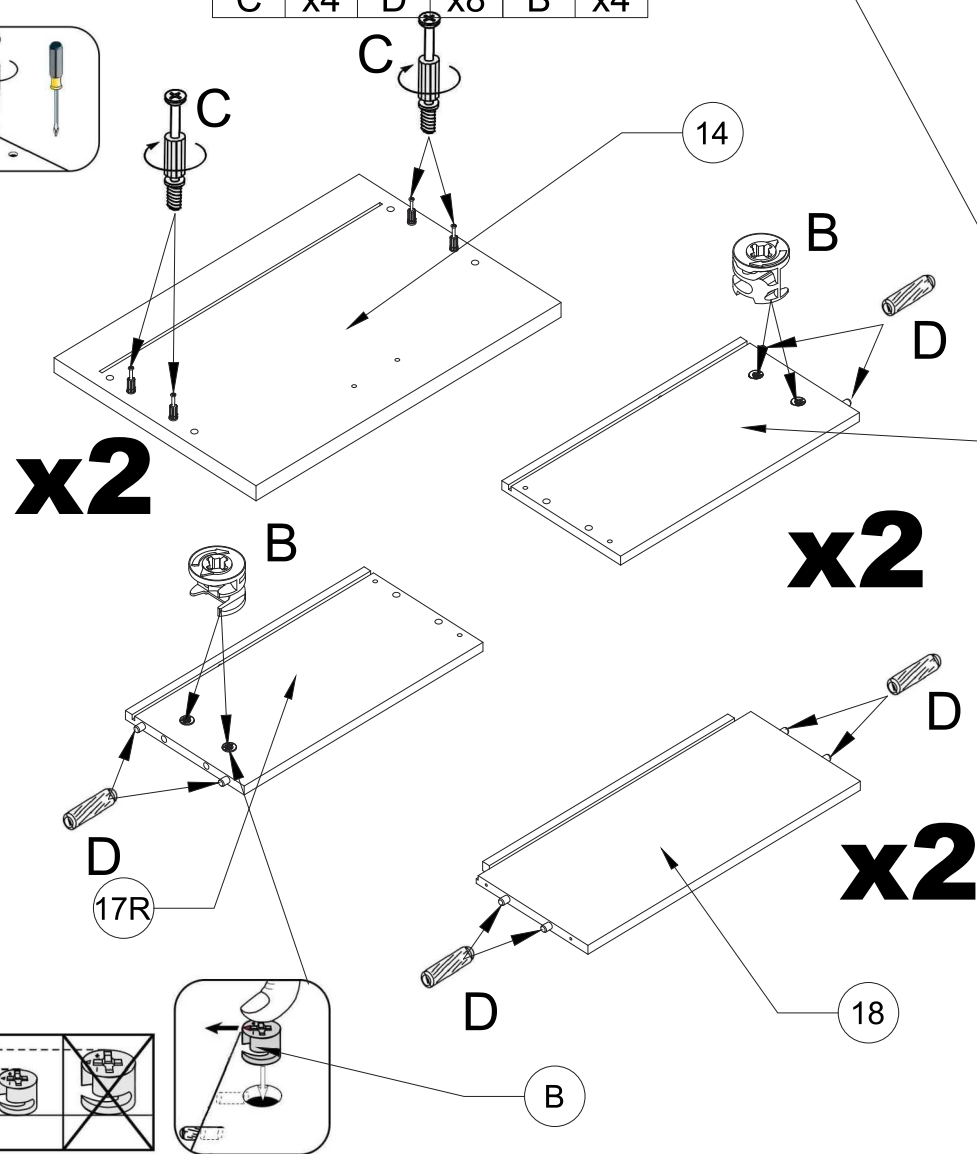
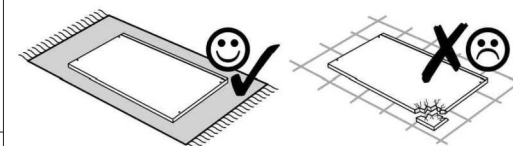


14

	$\varnothing 8 \times 30 \text{mm}$	$\varnothing 15 \times 10 \text{mm}$
C	x4	D
		B
		x4

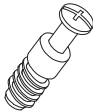
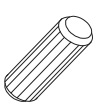

15

	$\varnothing 3,5 \times 30 \text{mm}$		
F	x8	H	x4
		G1	x8


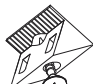



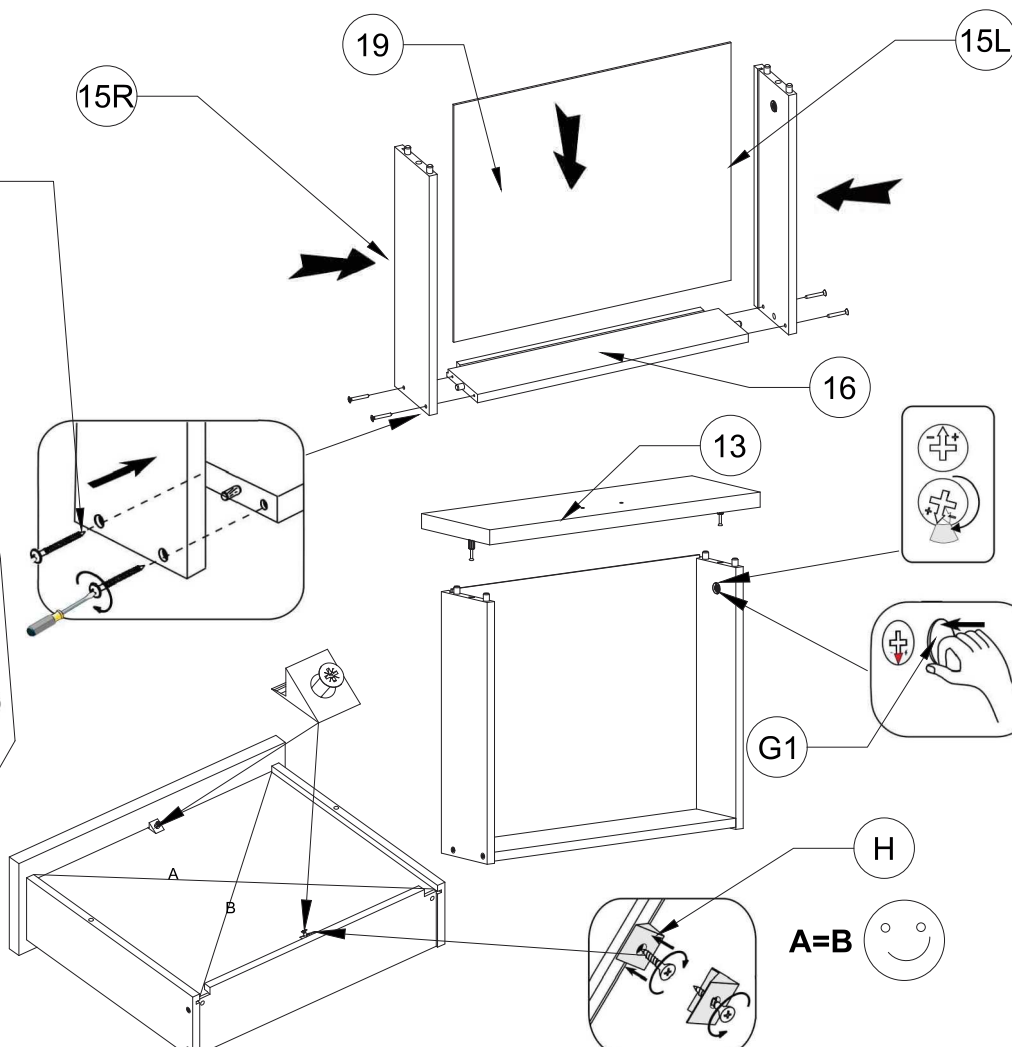
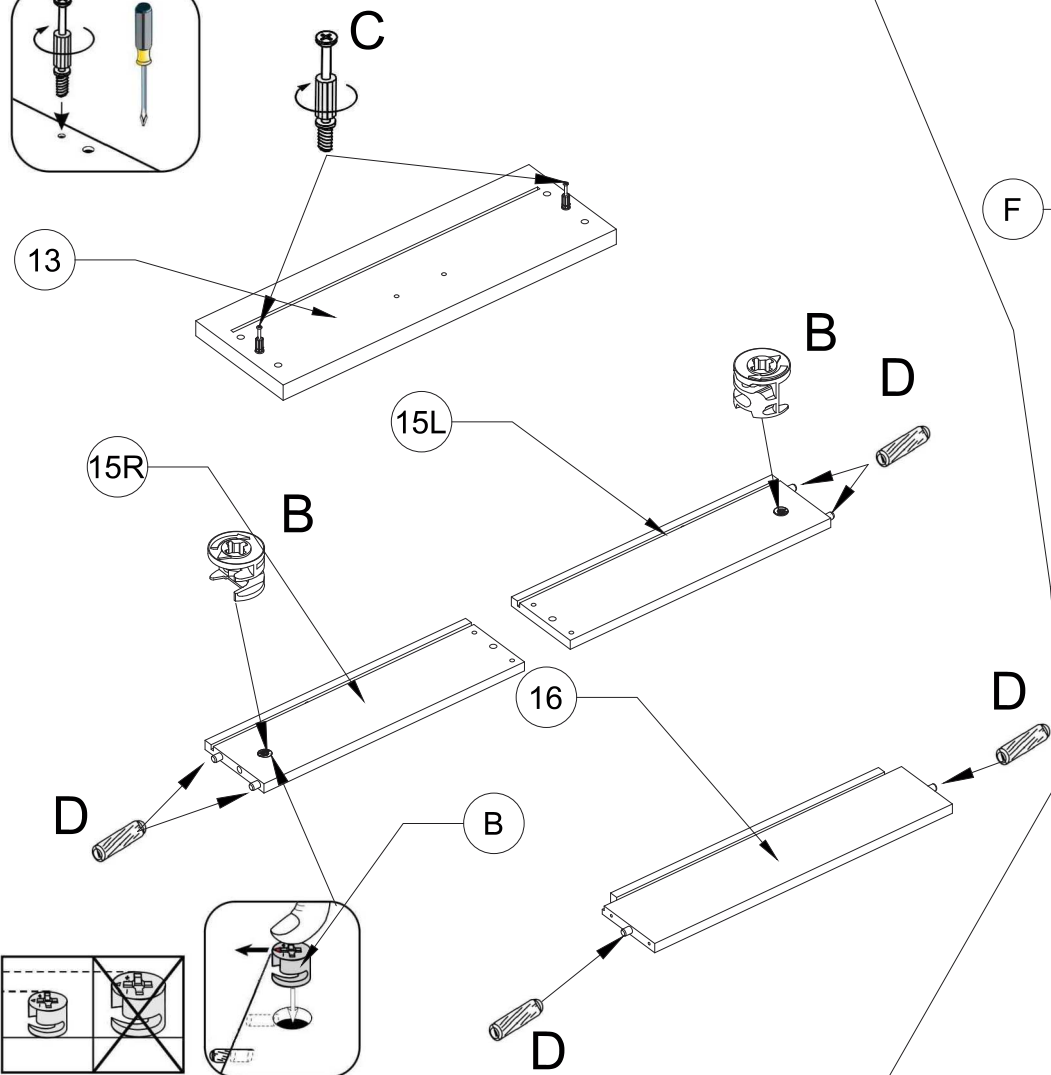
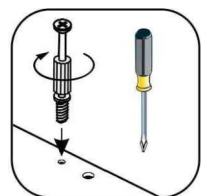
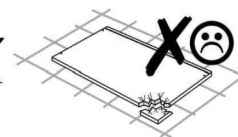
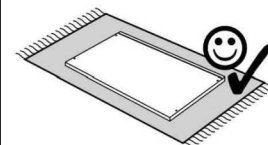
A=B ☺

16

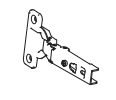

	Ø8x30mm		Ø15x10mm	
C	x2	D	x6	B
				x2

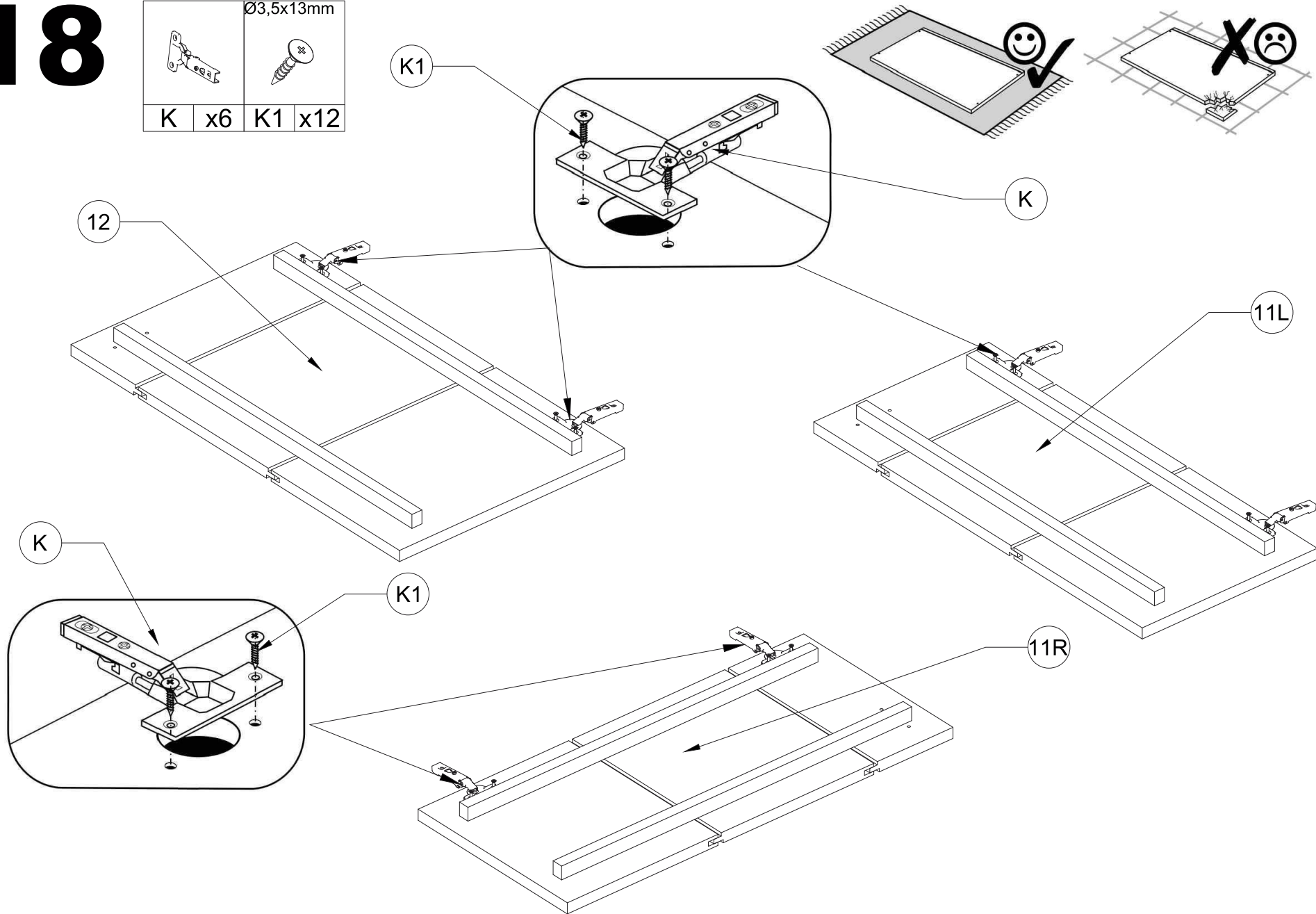
17

	Ø3,5x30mm		
F	x4	H	x2
		G1	x2


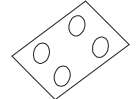


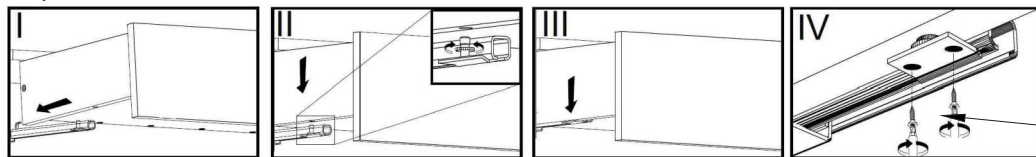
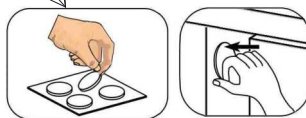
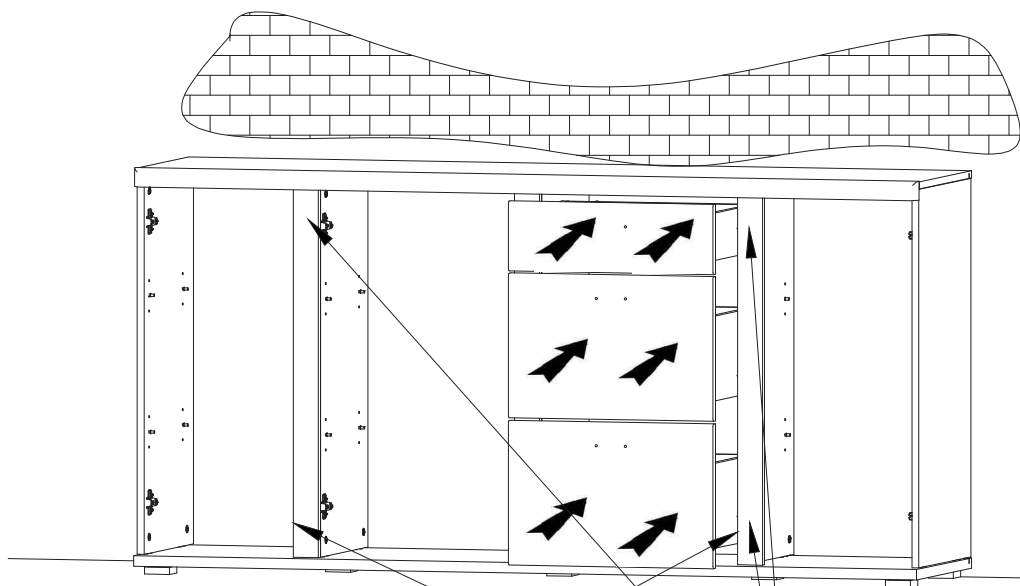
18

	
Ø3,5x13mm	
K x6	K1 x12

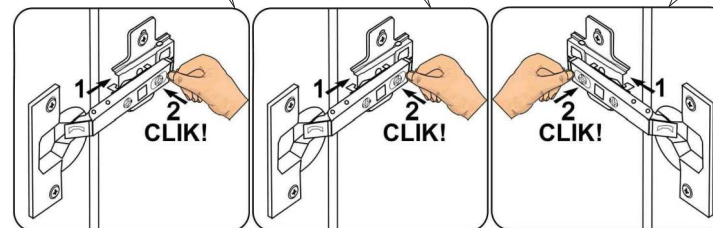
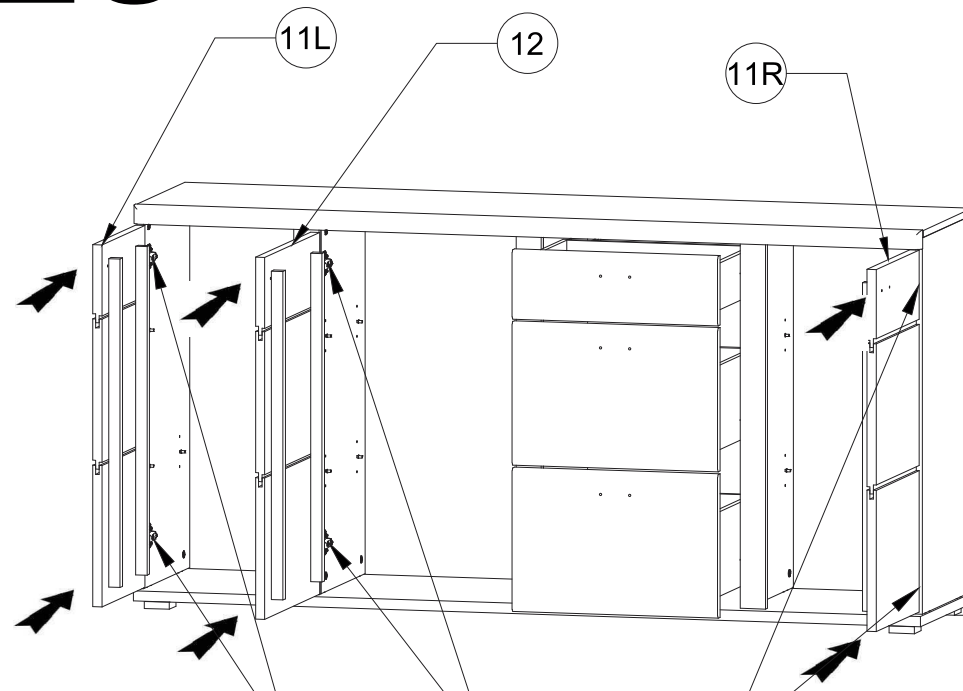


19

Ø3,5x13mm			
			
J2	x12	P	x2

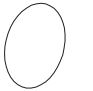




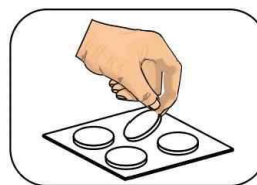
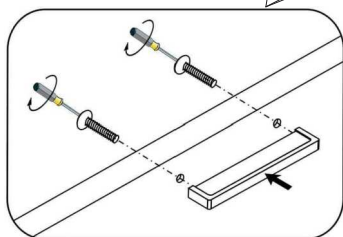
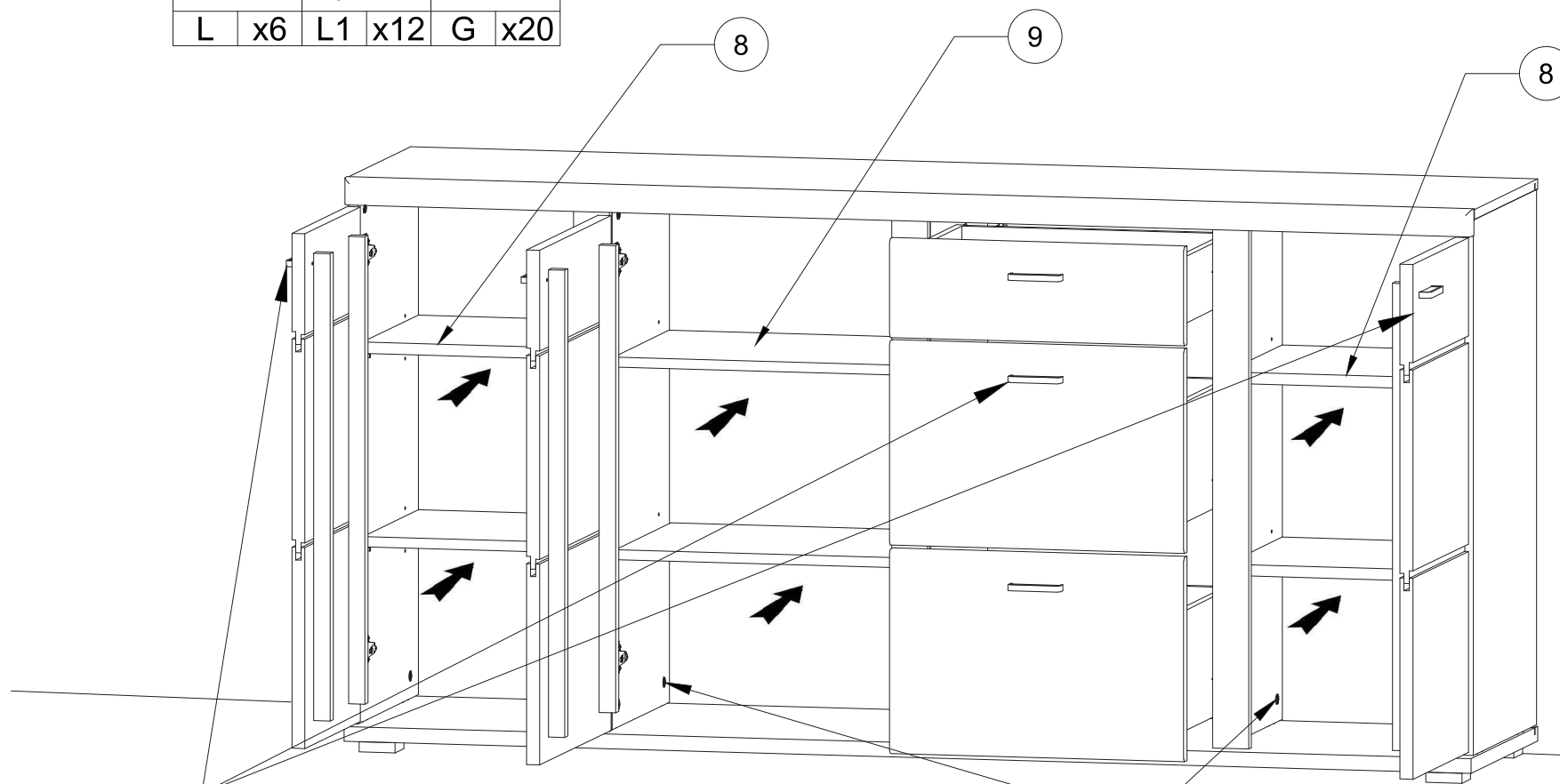
20



J2

21

L-80mm		M4x25mm			
					
L	x6	L1	x12	G	x20



22

