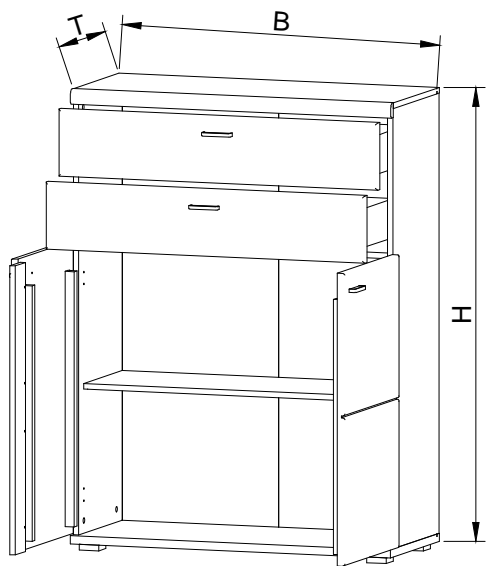
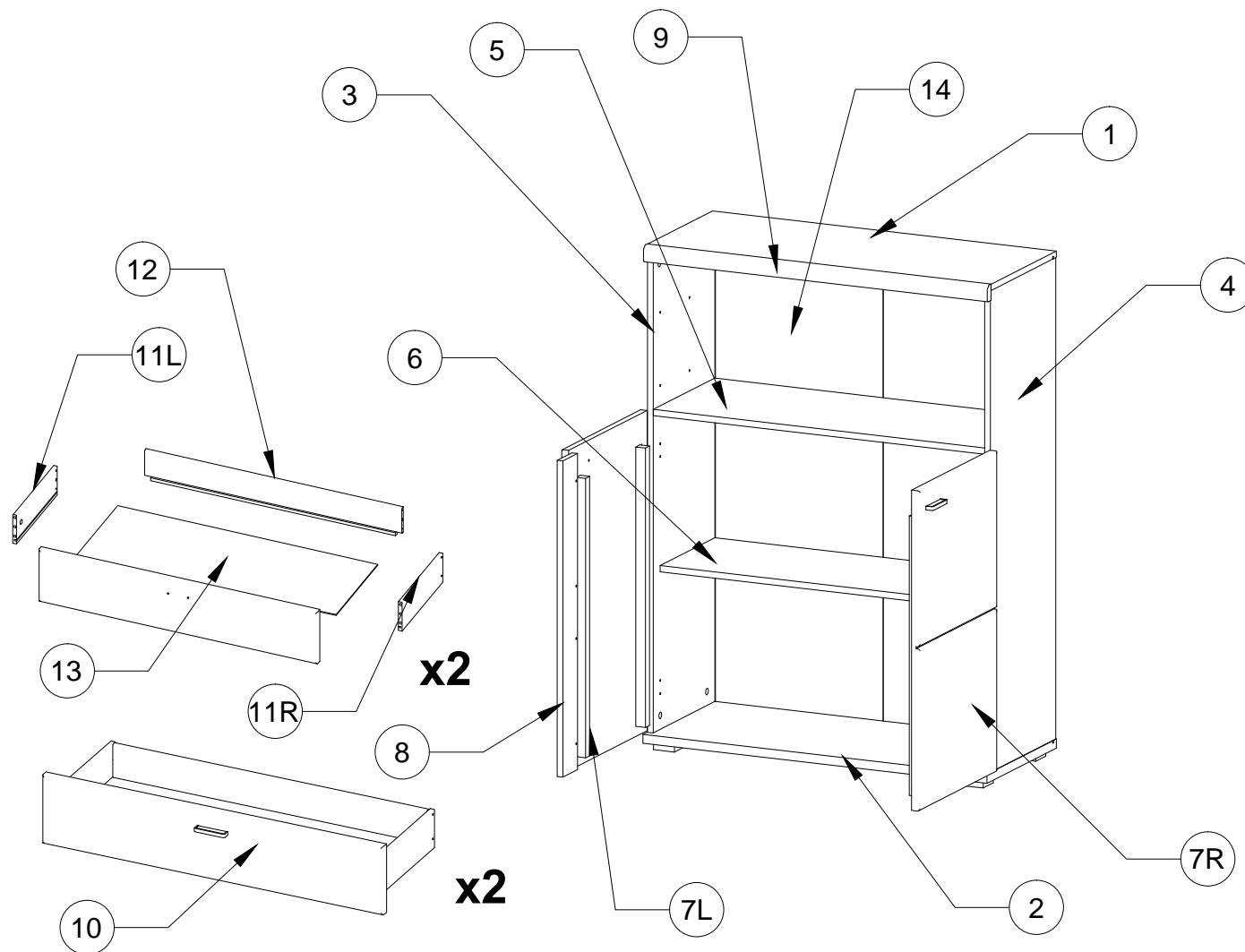


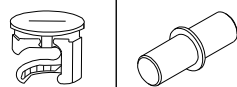
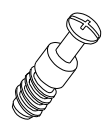
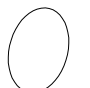
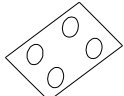
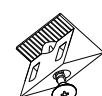
SONOS Büroschrank 52-02-HU-12

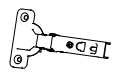
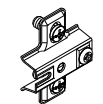



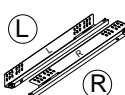



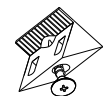
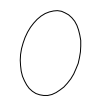
B - 433 mm
H - 1230 mm
T - 380 mm





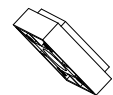

1	900	358	15	1
2	900	380	22	1
3	1173	358	15	1
4	1173	358	15	1
5	868	337	15	1
6	868	300	15	1
7L	780	429	20	1
7R	780	429	20	1
8	770	80	15	1
9	900	40	20	2
10	896	180	20	2
11L	302	100	12	2
11R	302	100	12	2
12	827	100	12	2
13	837	312	3	2
14	1183	439	3	2




Ø15x12mm			
A	x15	E	x4
			
C	x19	G	x15
Ø8x30mm			
D	x26	P	x1
		Ø4x25mm	
H	x14	O	x4

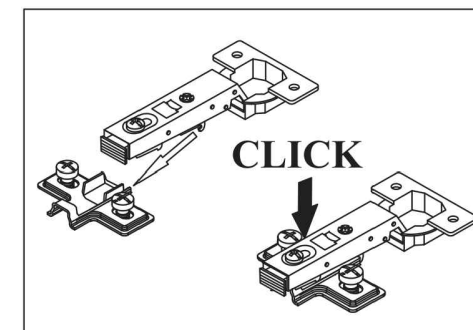
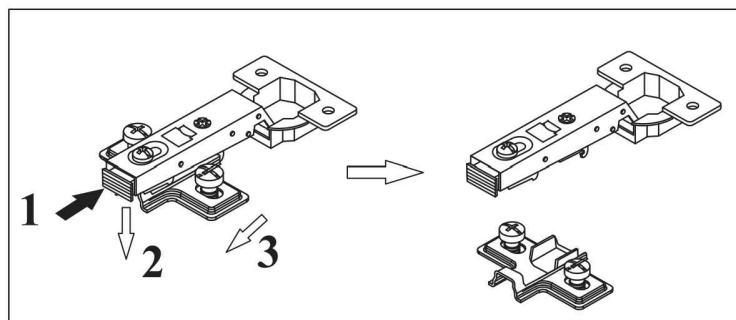
	
K	x4
	
K2	x4
Ø3,5x13mm	
	
K1	x8


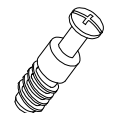
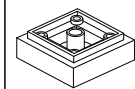

L-300mm		L-288mm	
			
J	x2	P	x4
Ø6x11mm		Ø3,5x13mm	
			
J1	x8	J2	x16
Ø15x10mm			
B	x4	H	x4
Ø3,5x30mm			
F	x8	G1	x4

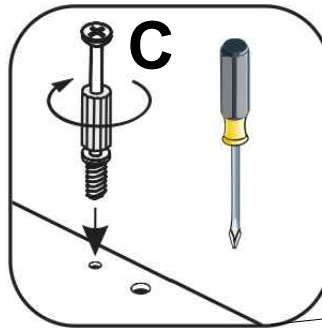
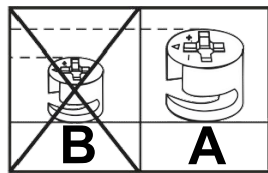
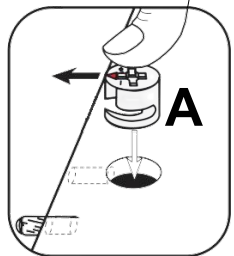
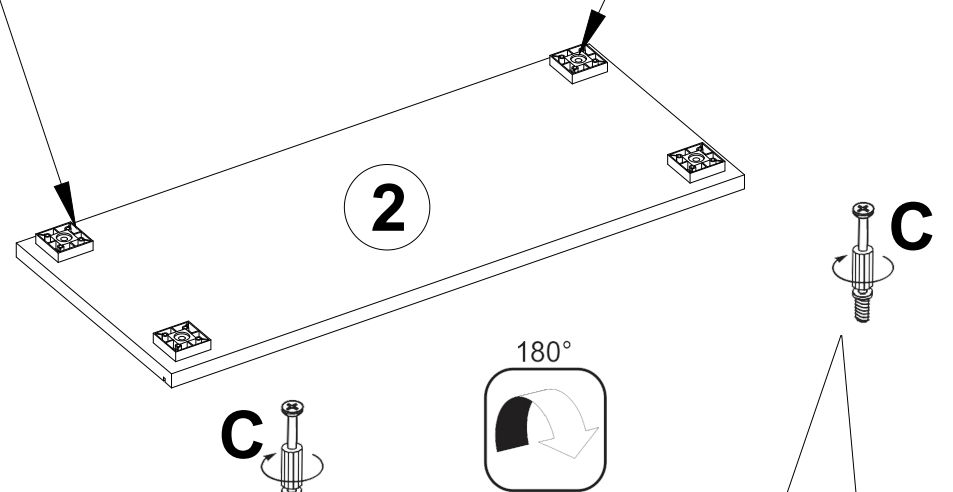
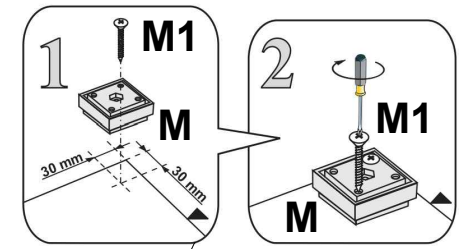
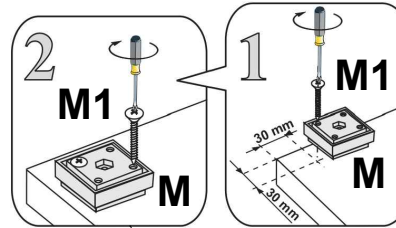
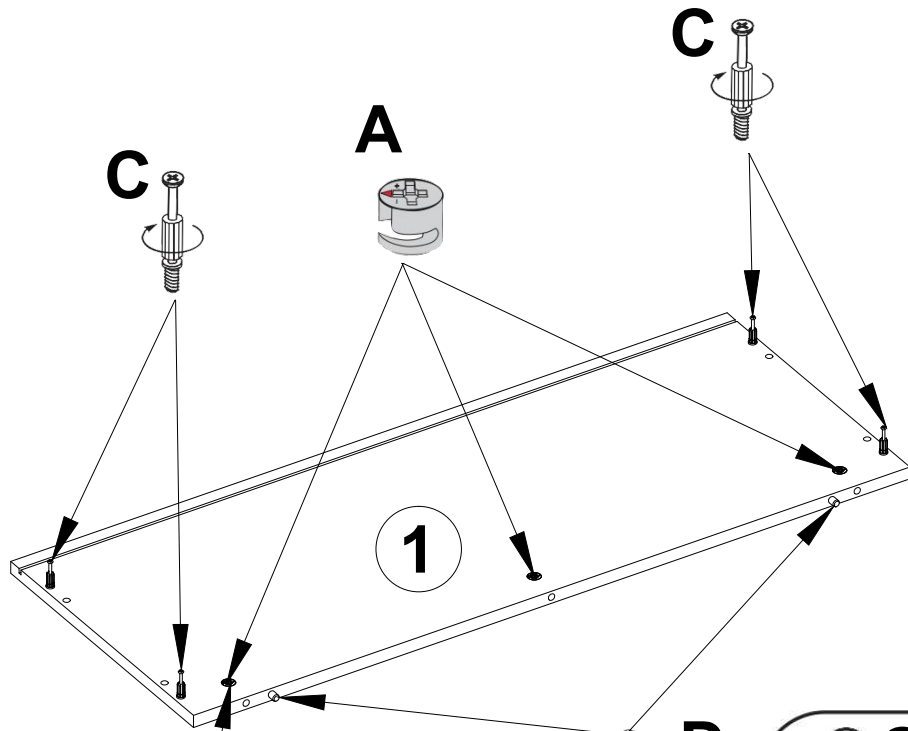
L-80mm	
	
L	x4
M4x25mm	
	
L1	x8

55x55x20	
	
M	x4
Ø4x30mm	
	
M1	x16

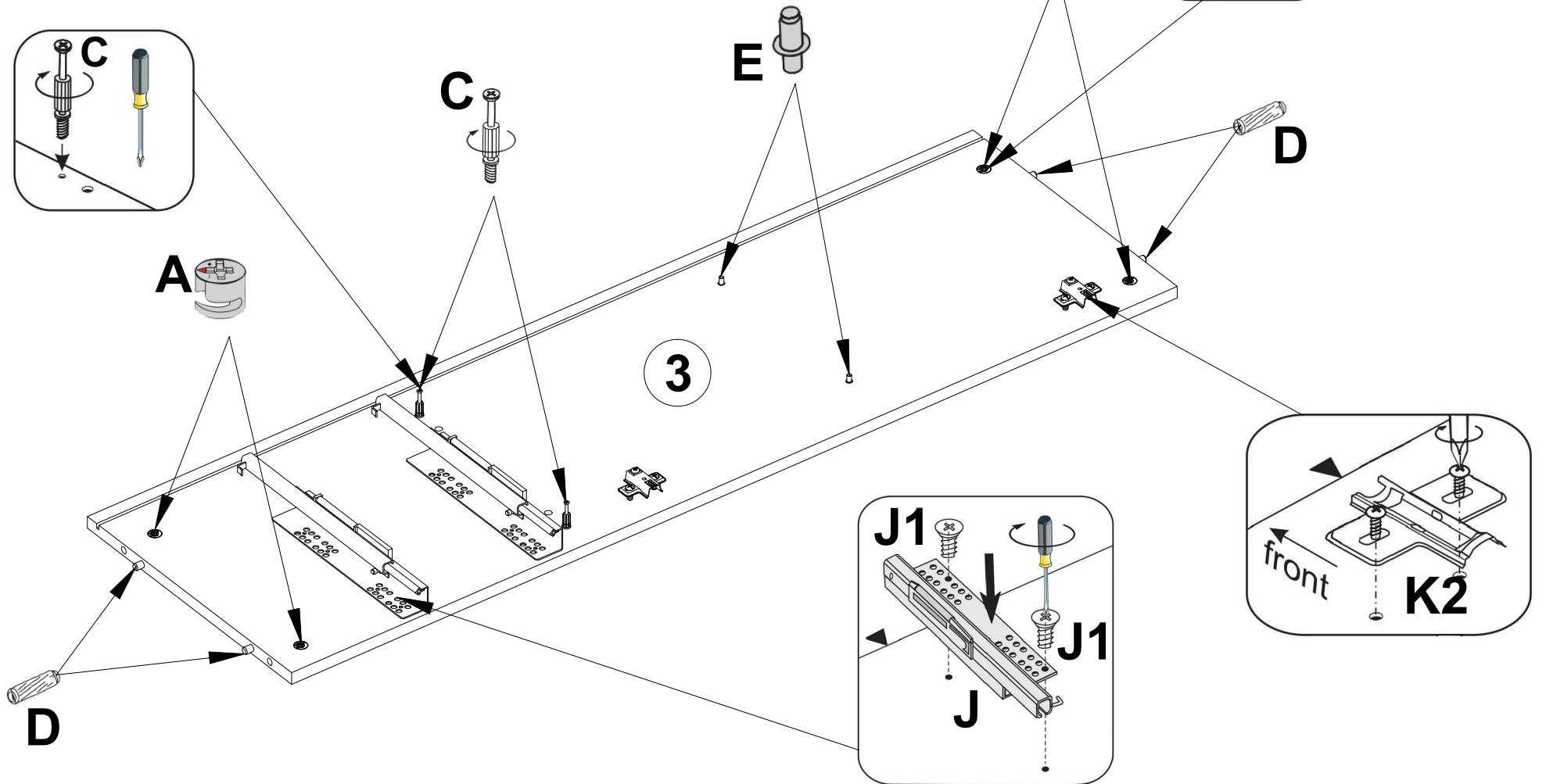
	
N	x1
	
N1	x1
Ø3,5x13mm	
	
N2	x2



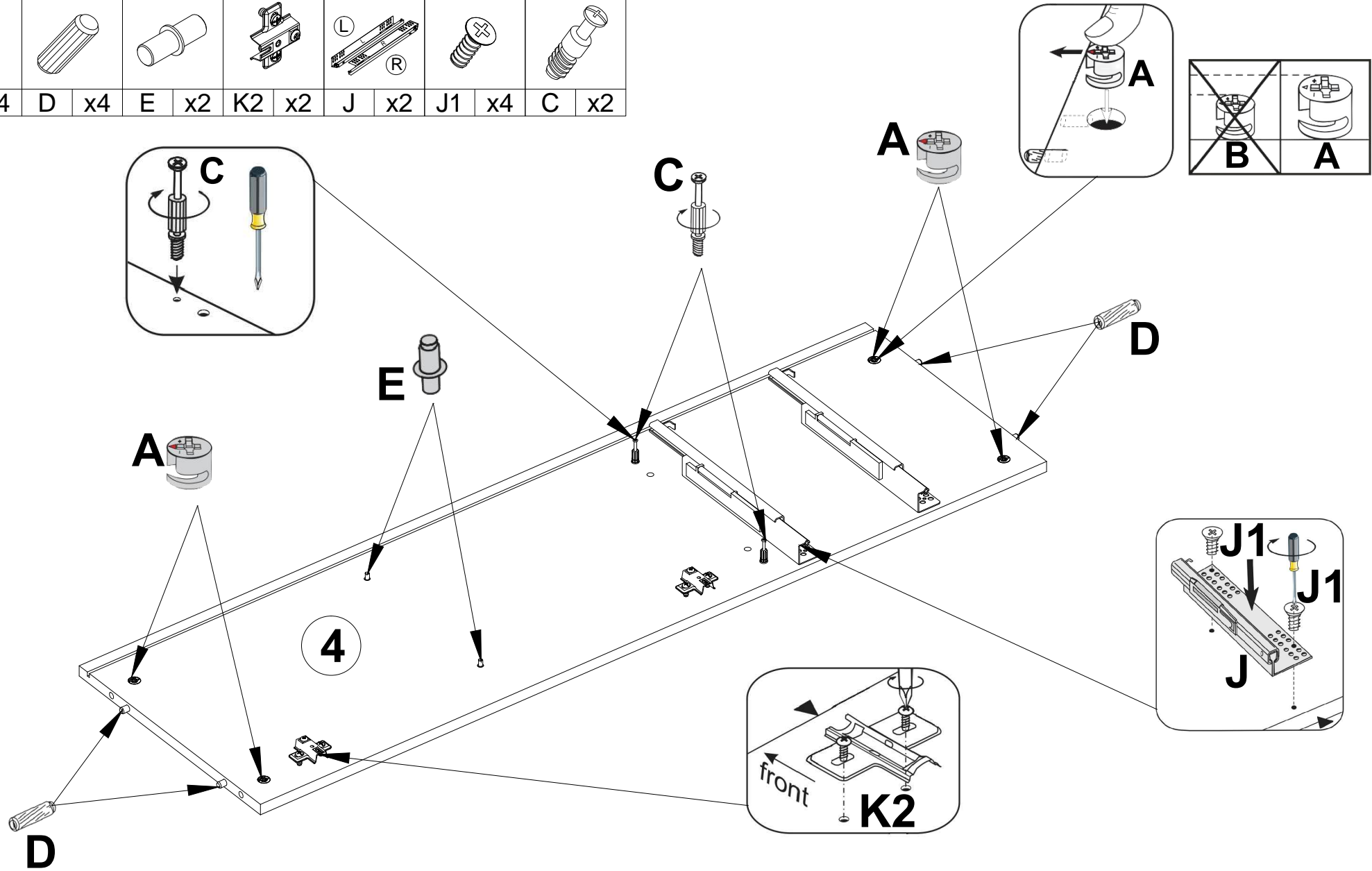
Ø15x12mm	Ø8x30mm	55x55x20	Ø4x16mm
			
A x3	C x8	M x4	M1 x16

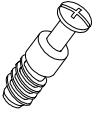



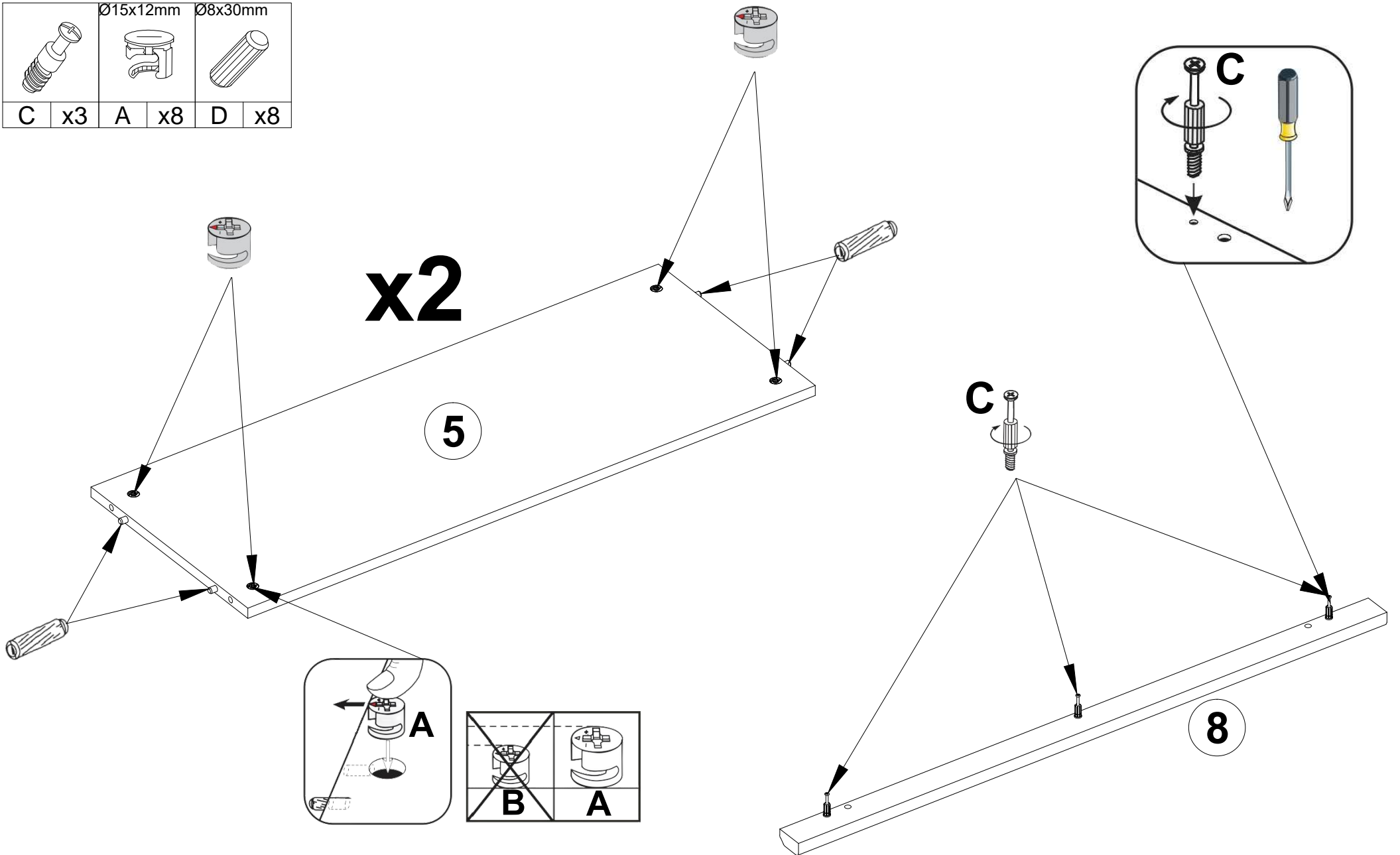
Ø15x12mm	Ø8x30mm			L-300mm	Ø6x11mm	
A x4	D x4	E x2	K2 x2	J x2	J1 x4	C x2

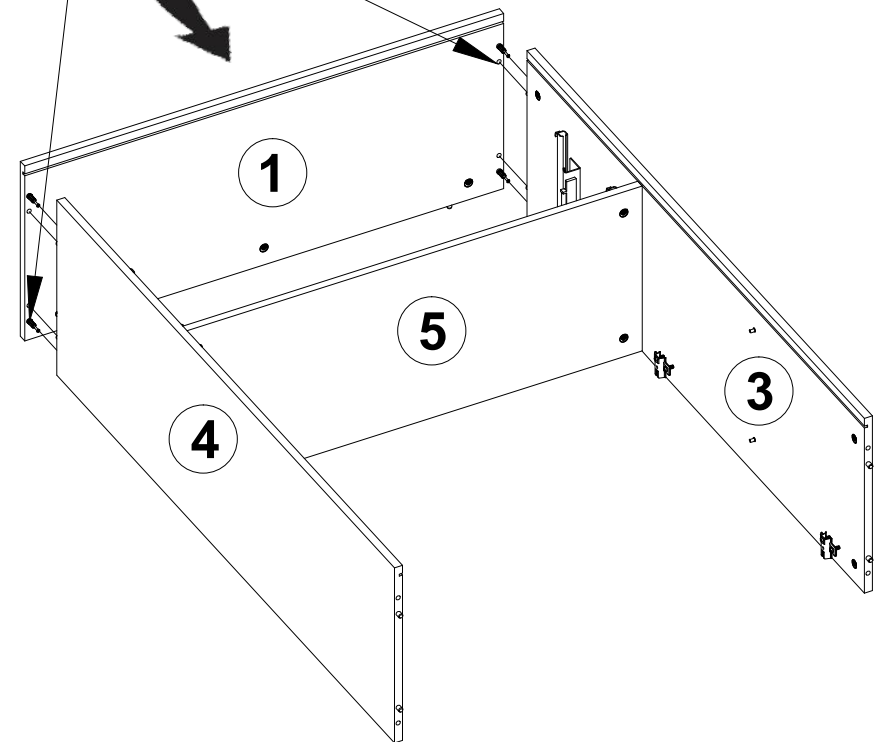
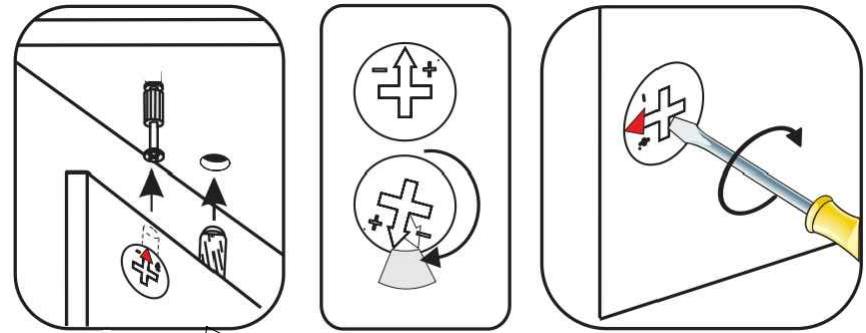
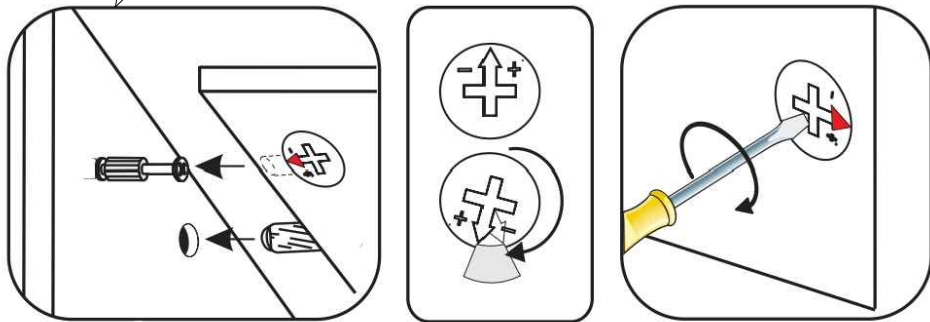
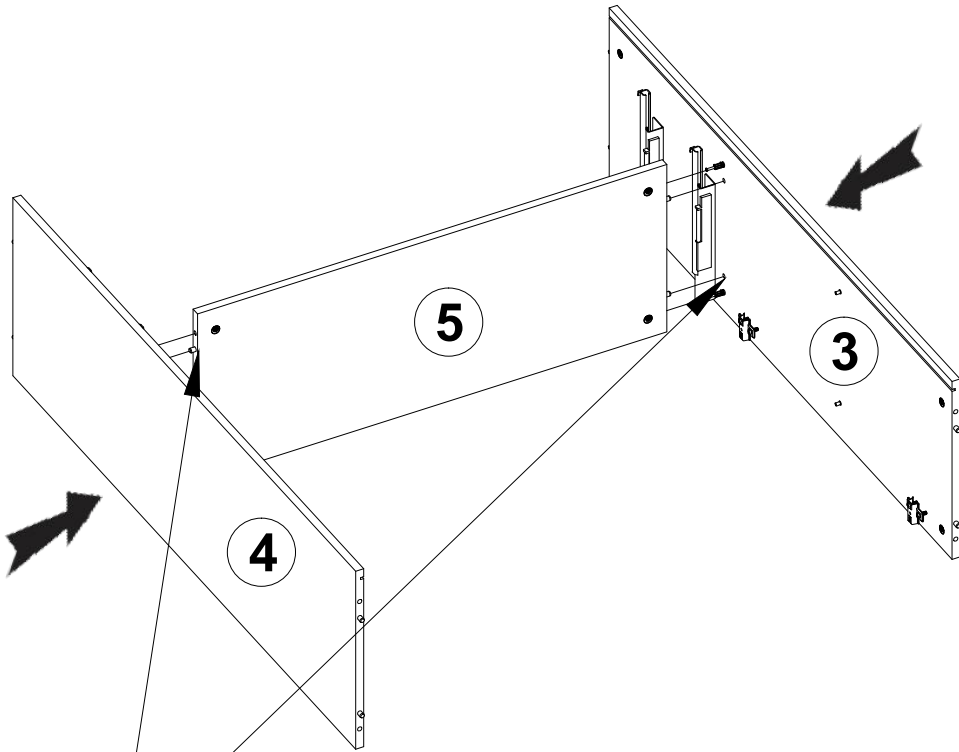


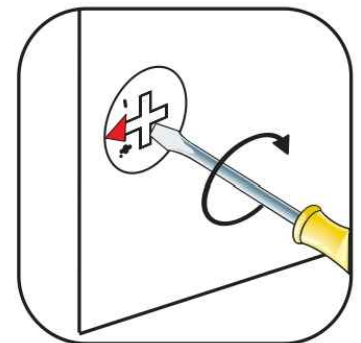
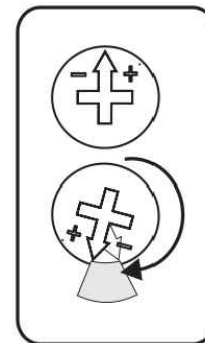
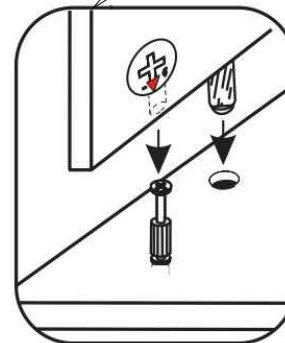
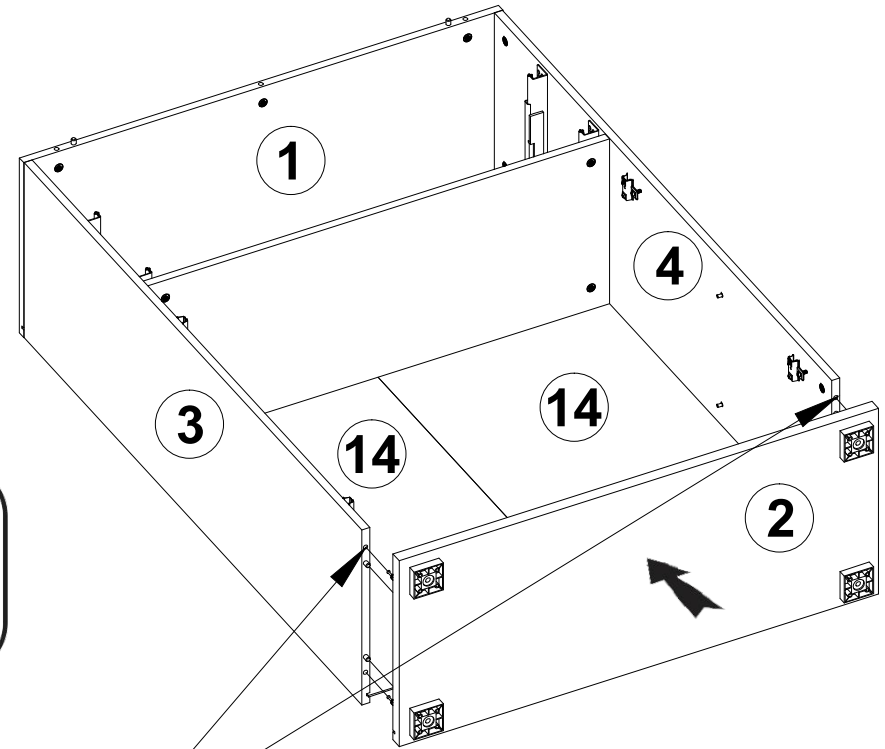
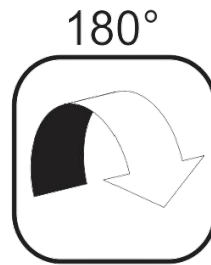
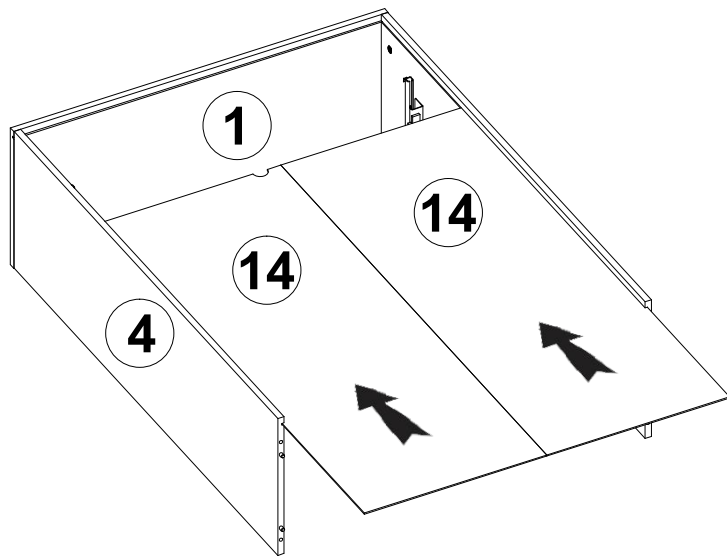
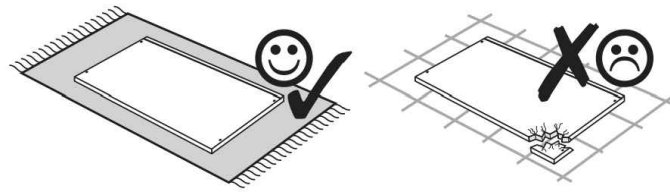
Ø15x12mm	Ø8x30mm			L-300mm	Ø6x11mm	
A x4	D x4	E x2	K2 x2	J x2	J1 x4	C x2

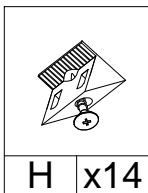


	Ø15x12mm		Ø8x30mm
C	x3	A	x8
		D	x8

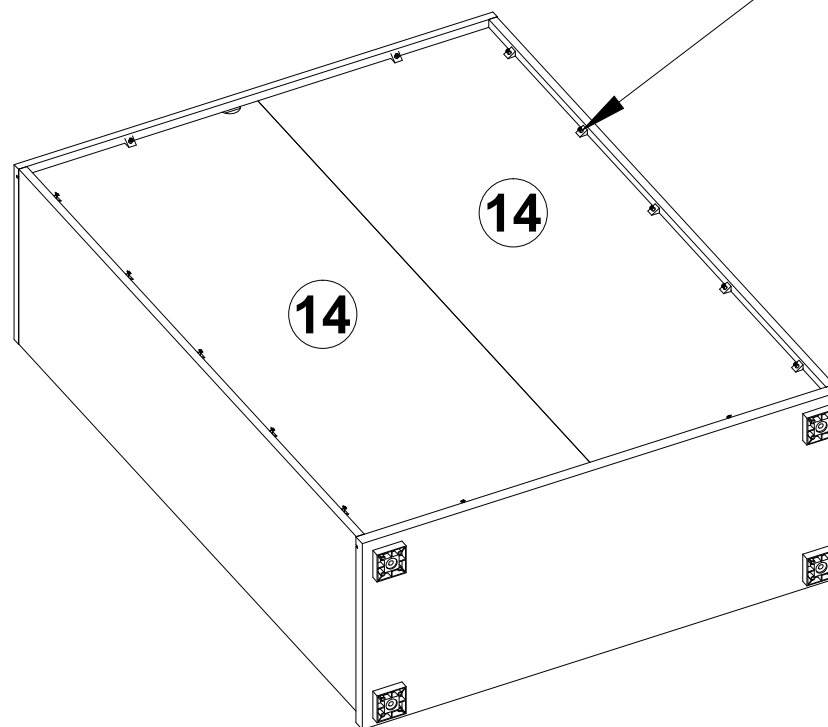
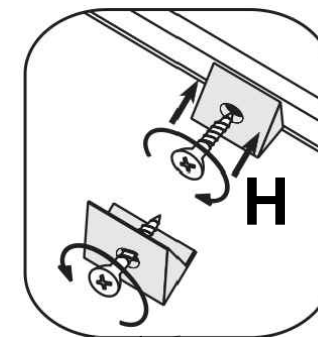
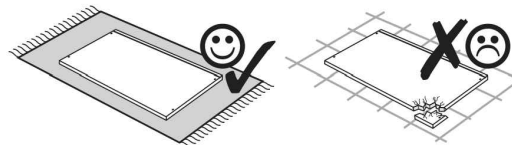
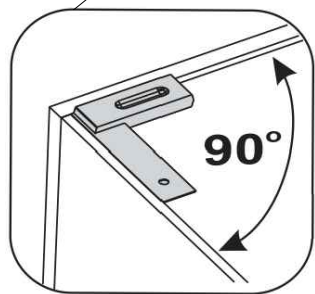
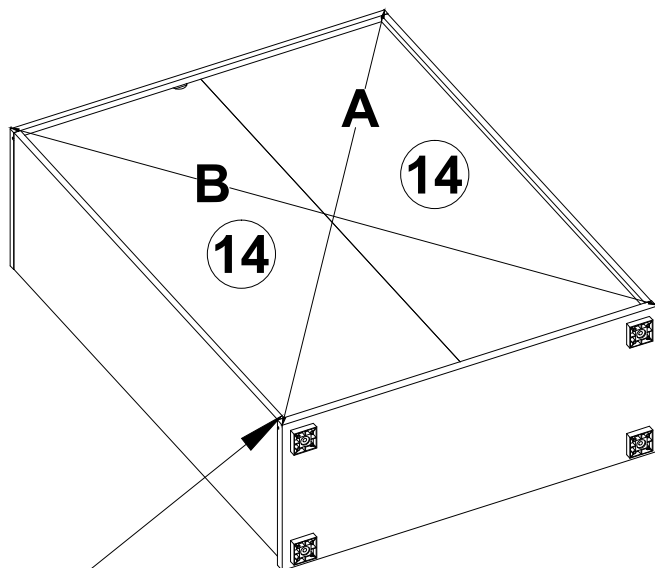


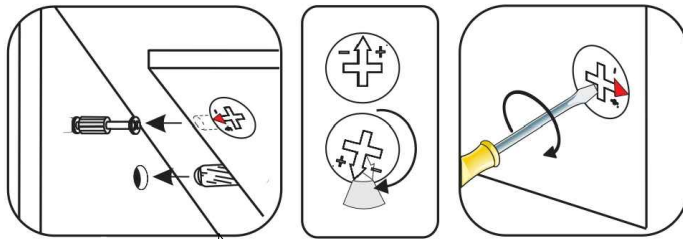






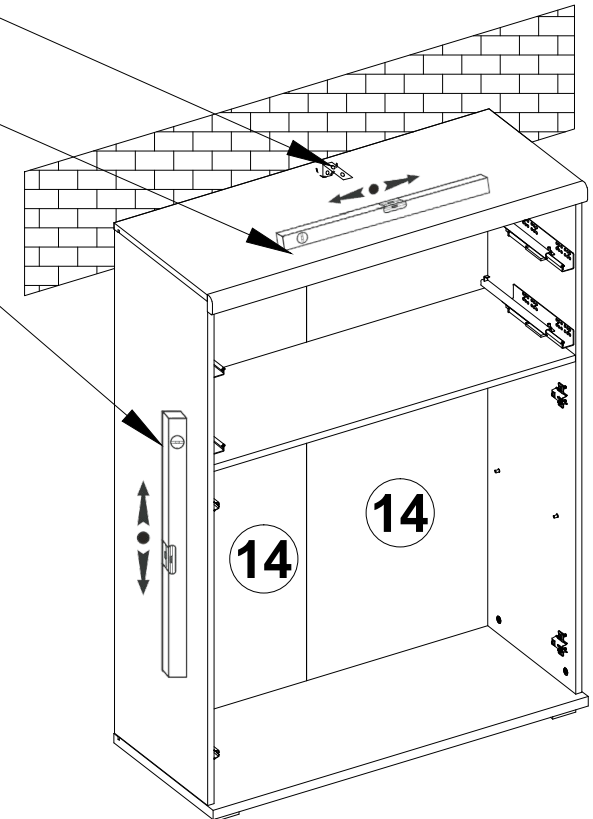
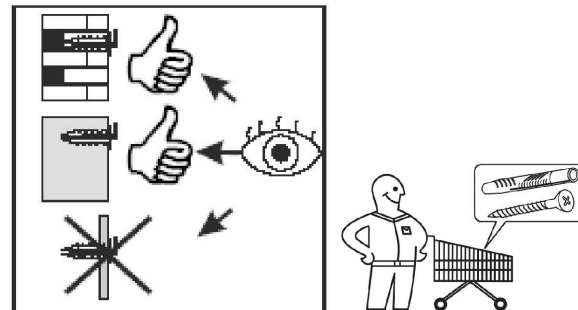
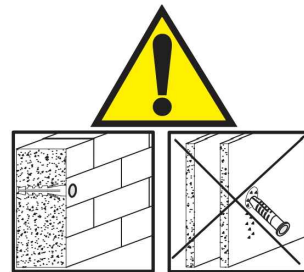
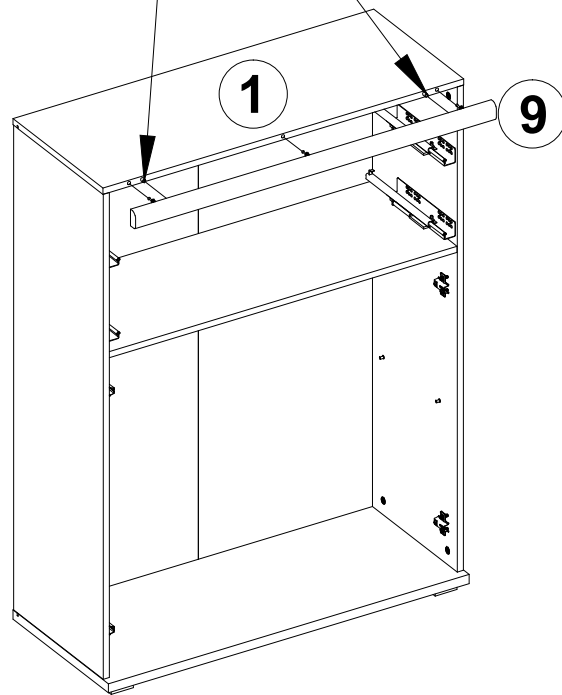
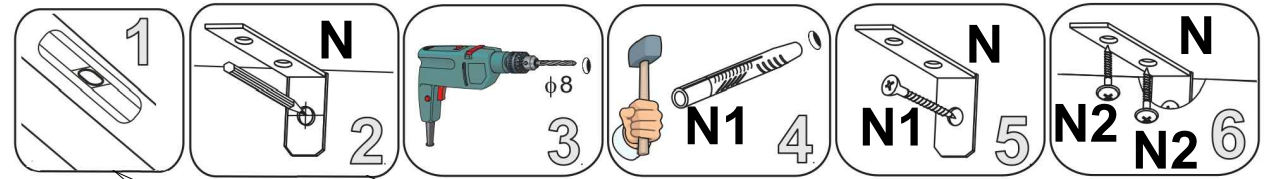
A=B

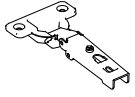


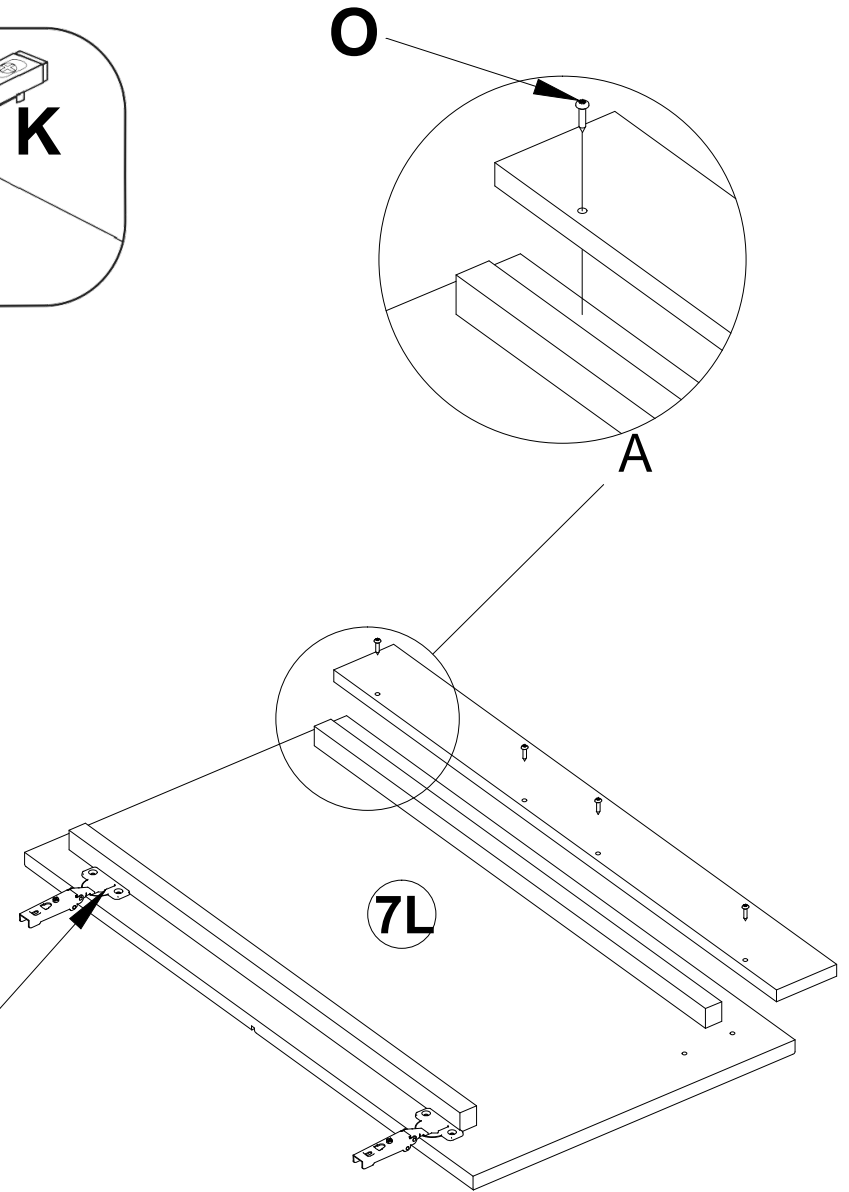
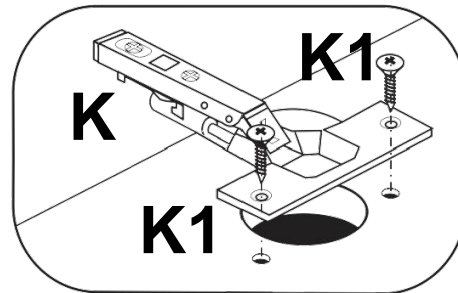
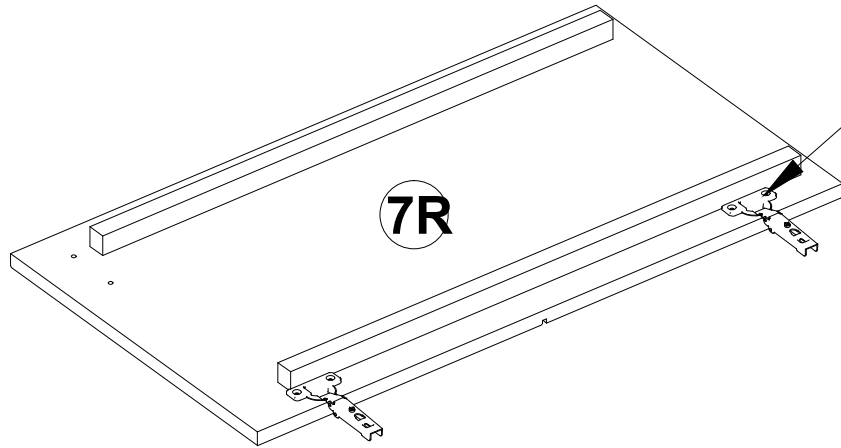
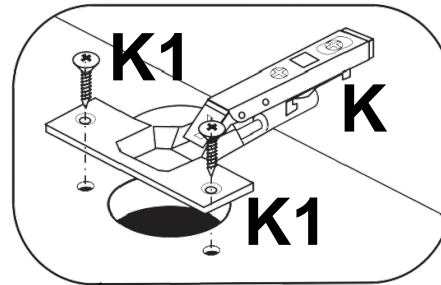


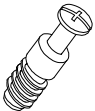
N	x1	N1
		x1
		N2
		x2

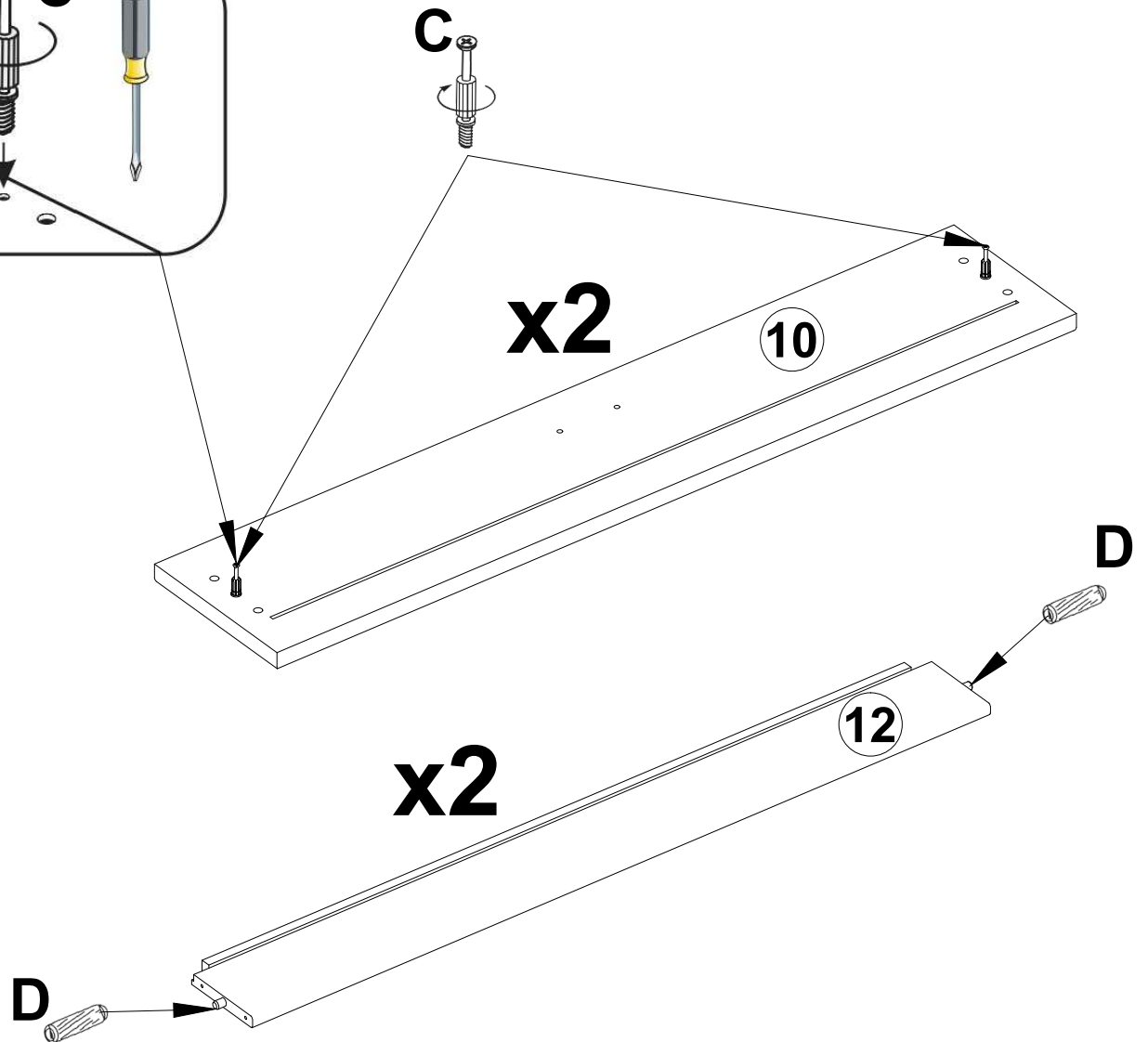
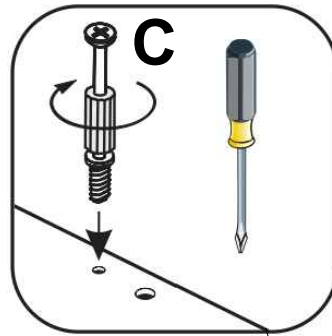
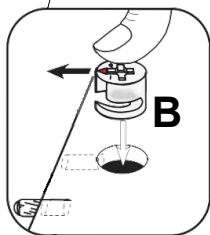
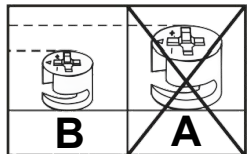
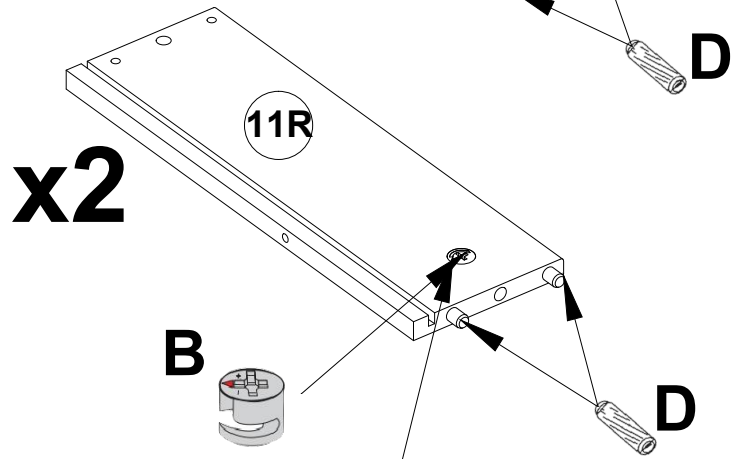
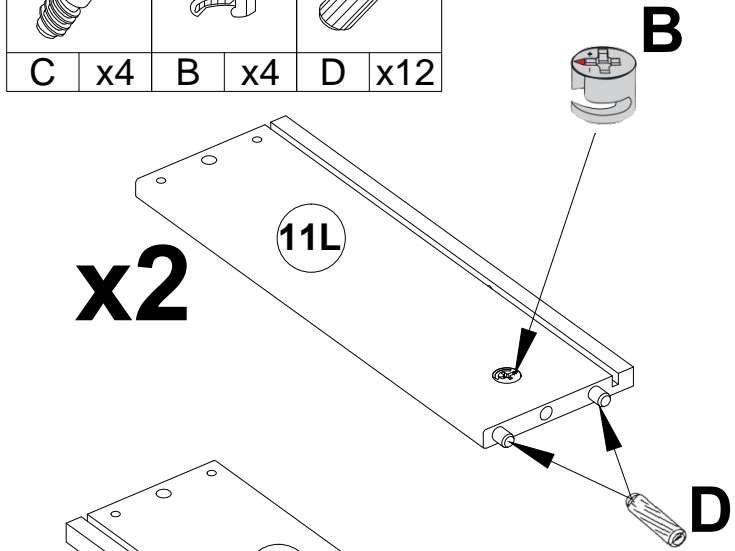
Ø3,5x13mm



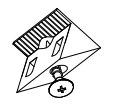



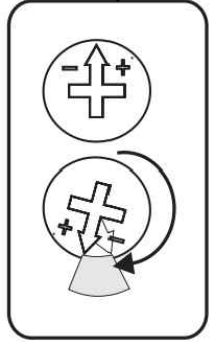
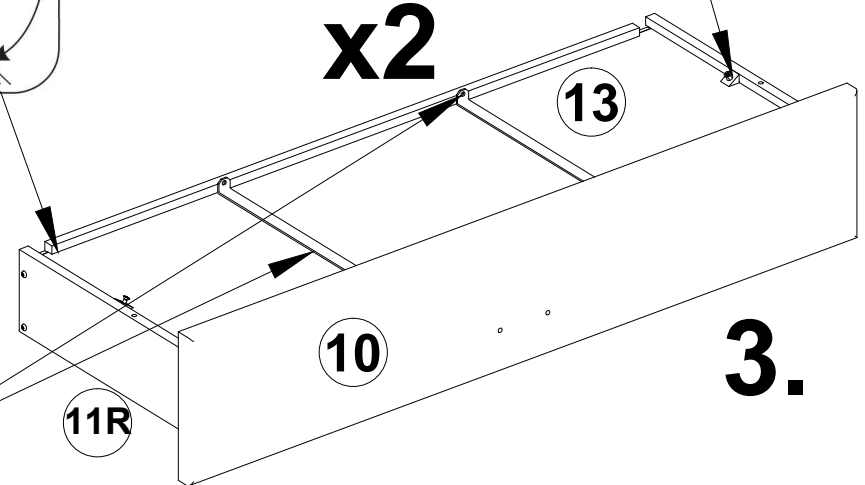
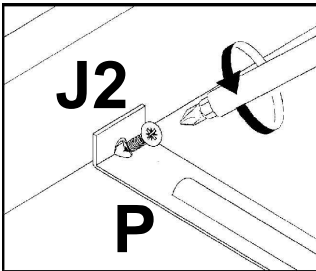
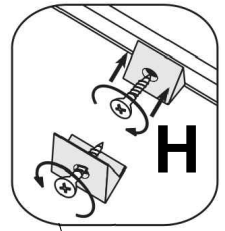
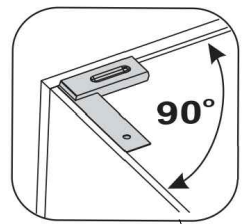
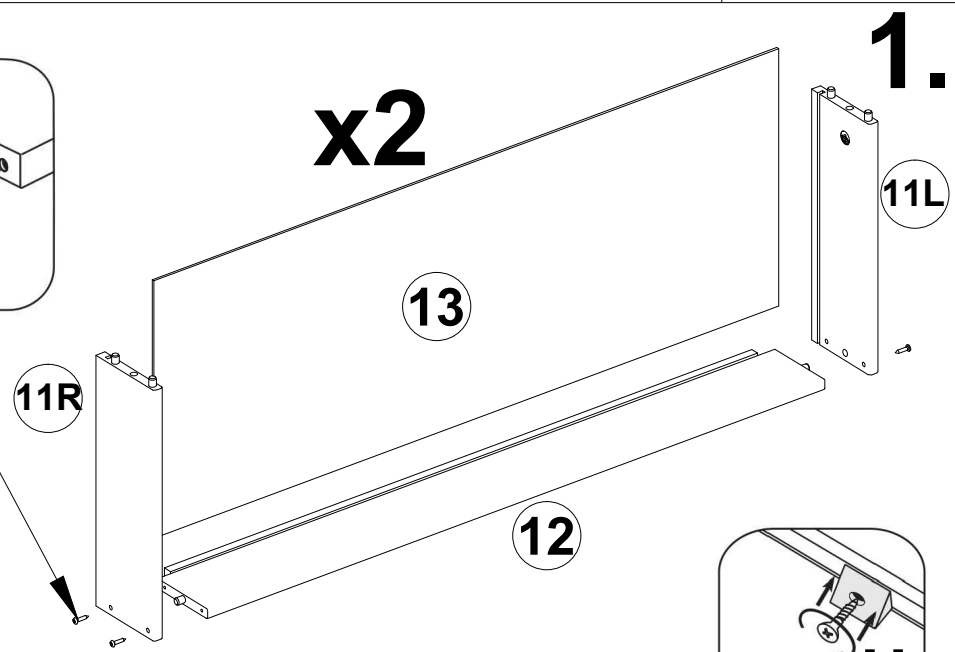
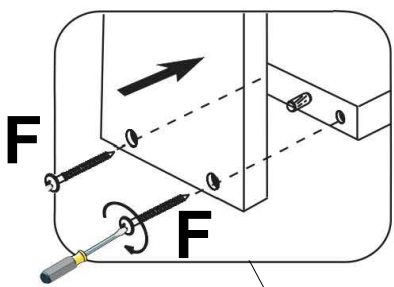
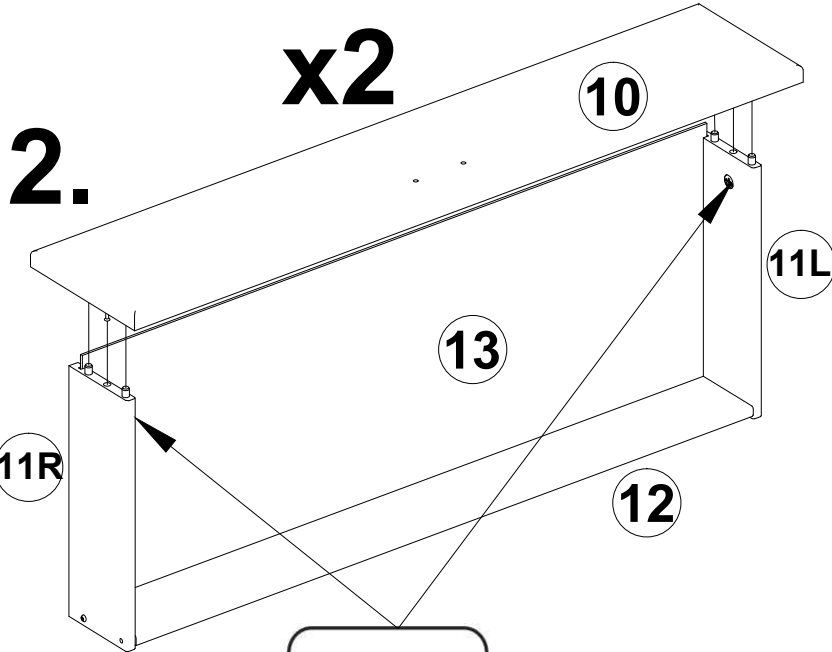
	Ø3,5x13mm	Ø4x25mm
K	x4	K1
	x8	O
		x4



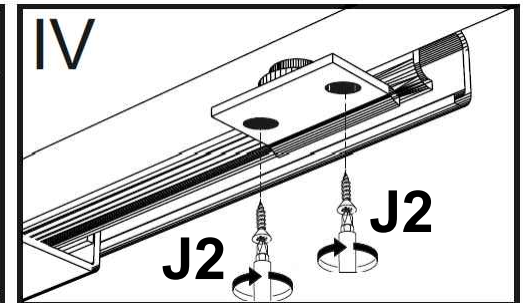
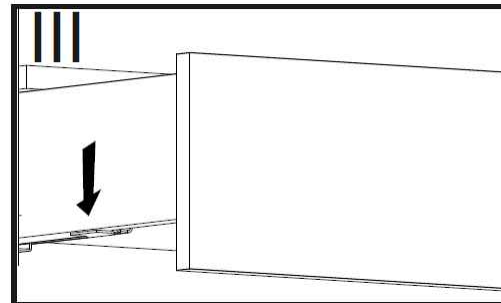
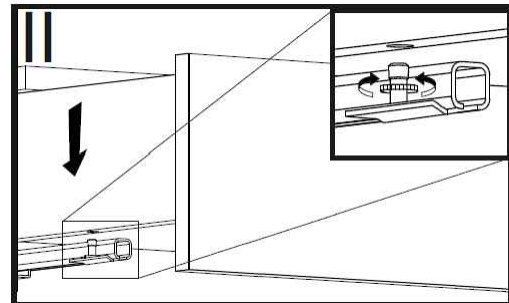
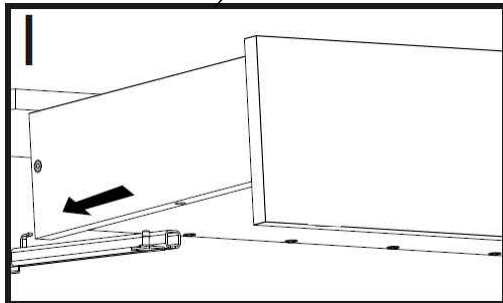
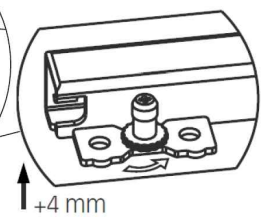
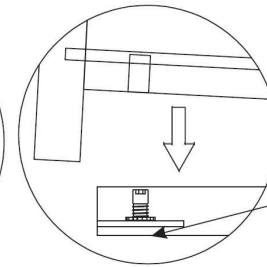
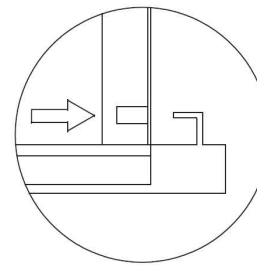
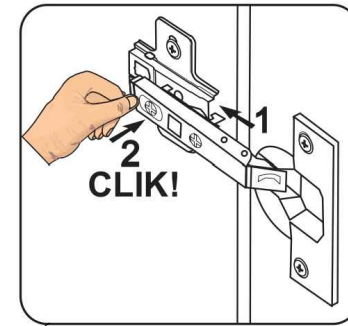
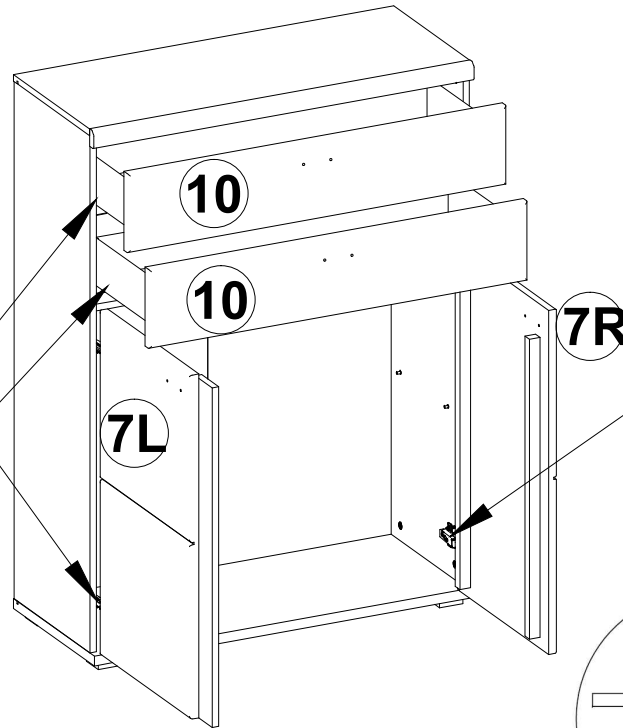
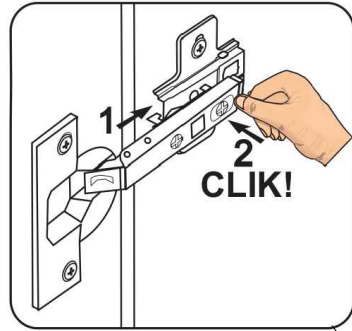
	Ø15x10mm	Ø8x30mm
C	x4	x12



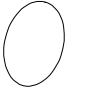
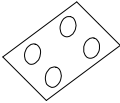



L-288mm 	Ø3,5x13mm 		Ø3,5x30mm 
P x4	J2 x8	H x4	F x8



Ø3,5x13mm
J2 x8



L-80mm		M4x25mm				
						
L	x4	L1	x8	G	x15	P
				P	x1	G1
						x4

