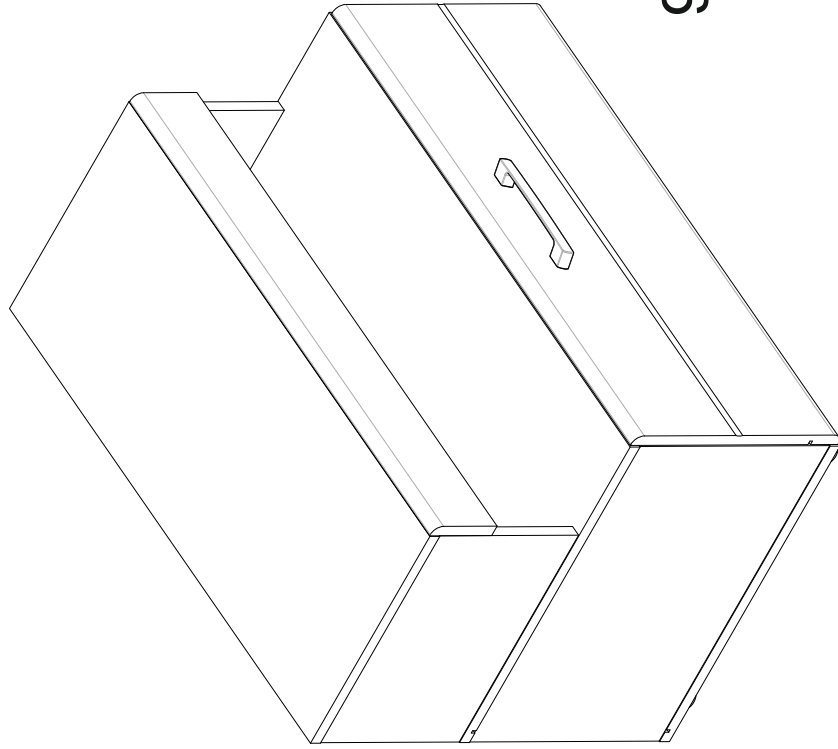
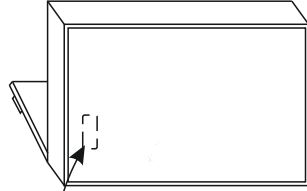
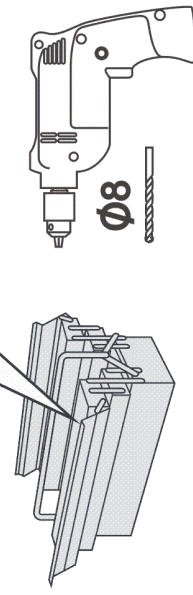
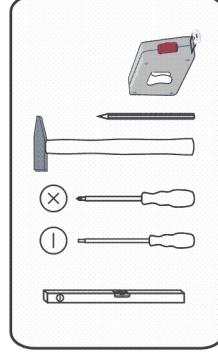
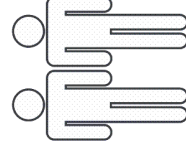
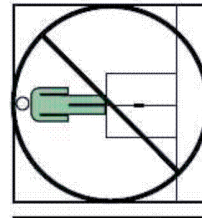
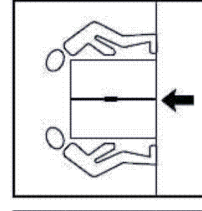
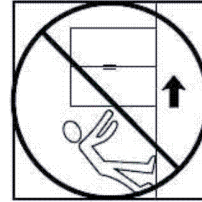
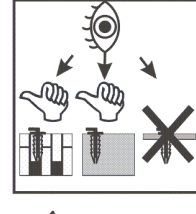
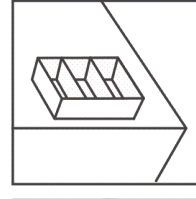
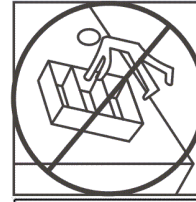
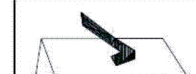
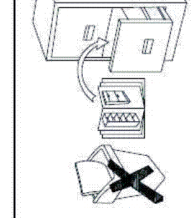
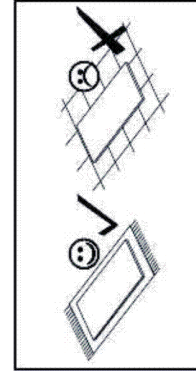


SONATE TV-UNTERTEIL S30

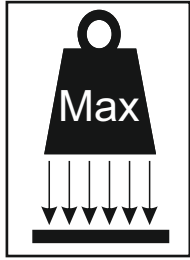
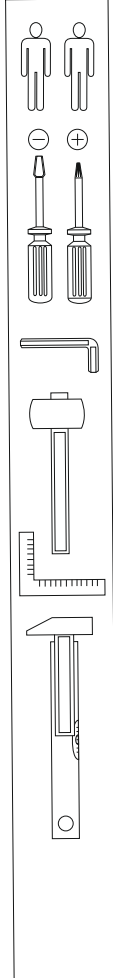
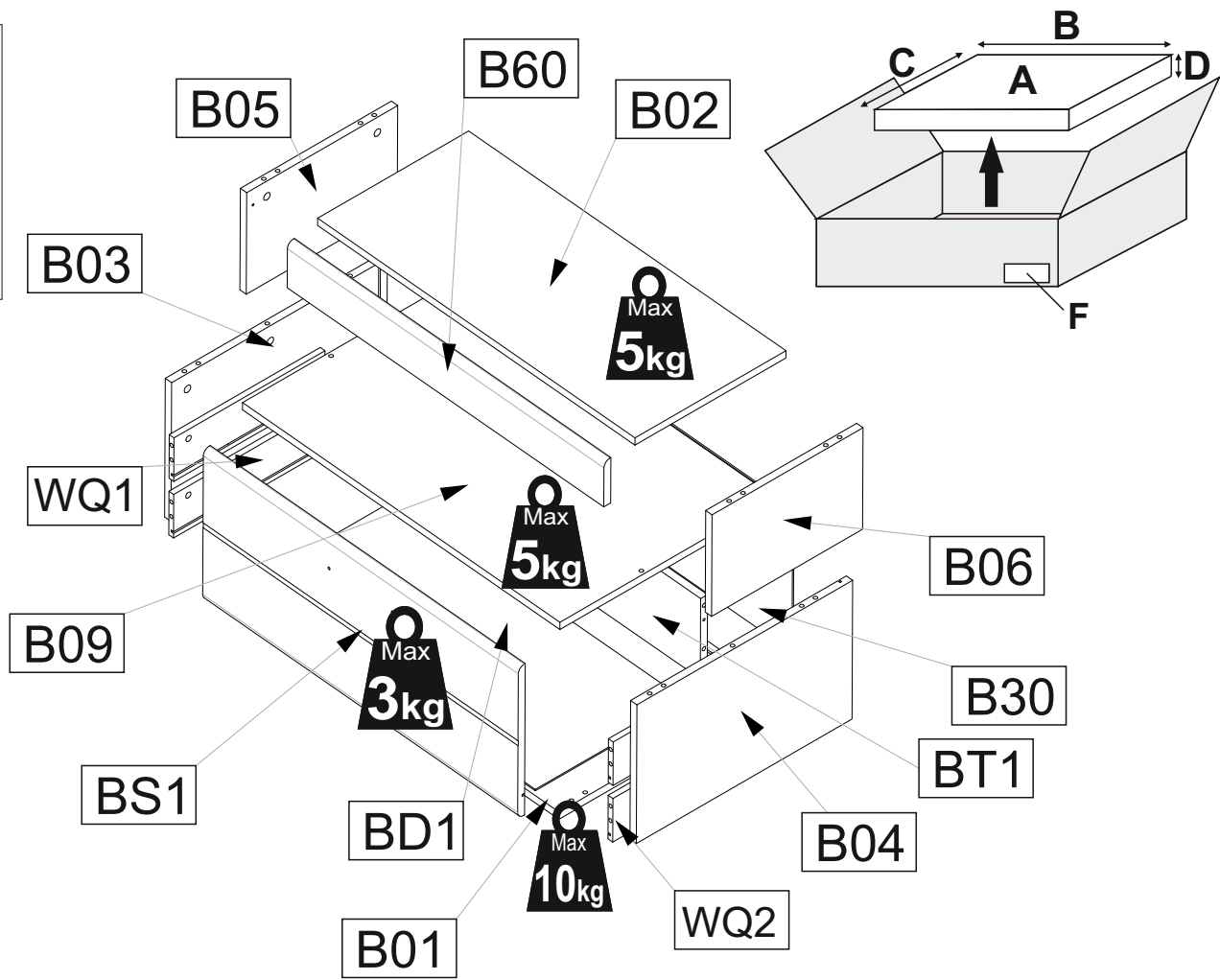
.....
 XXXXXXXXXXXX serie: xxx
 Hergestellt für:



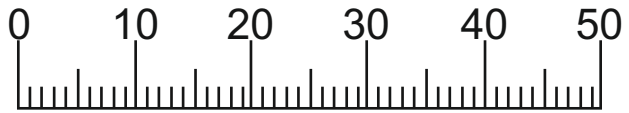
90 min



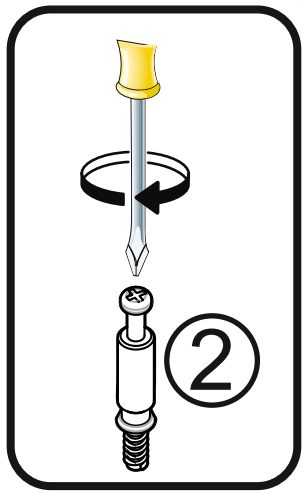
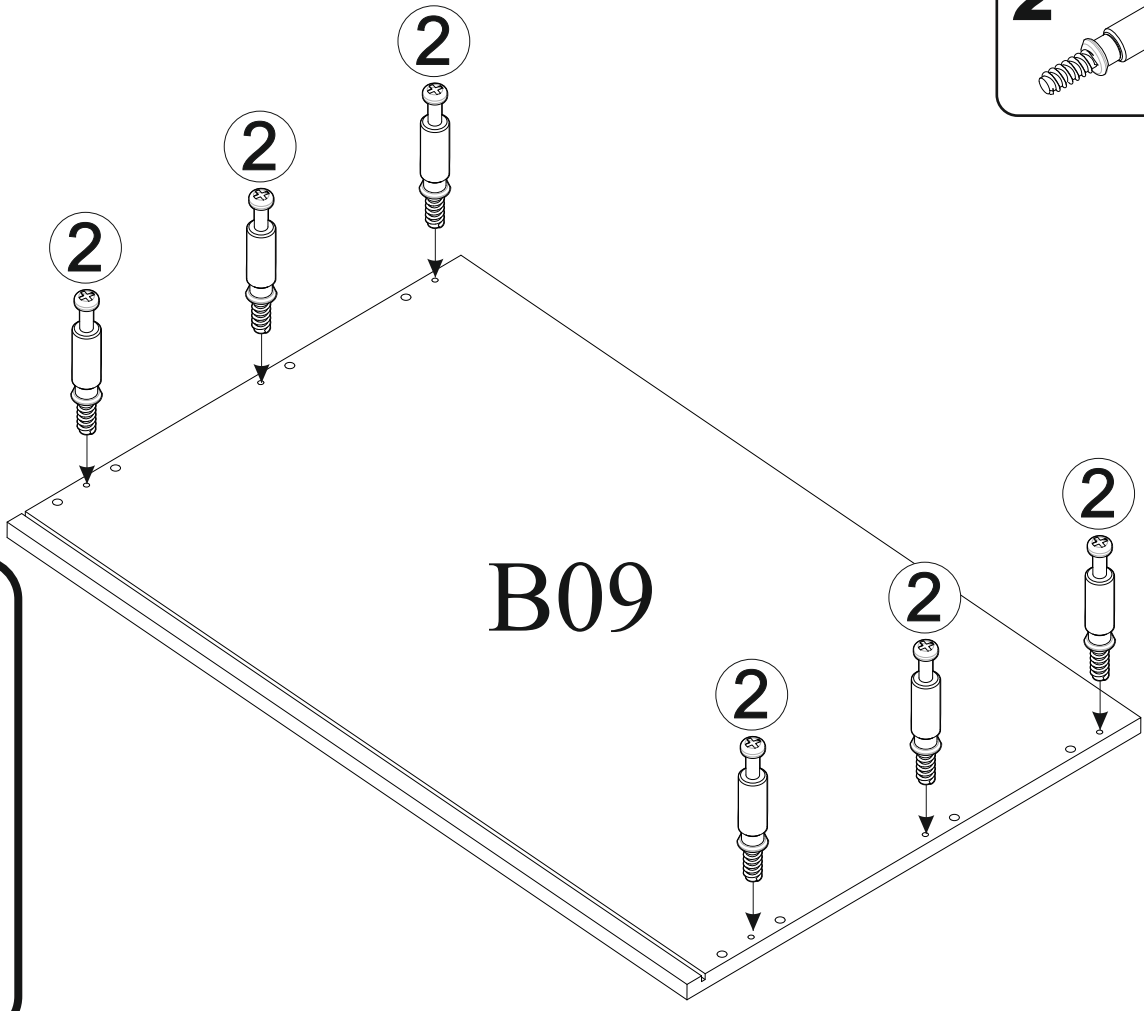
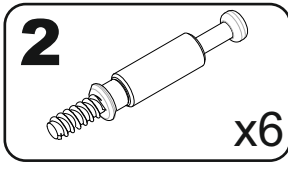
B



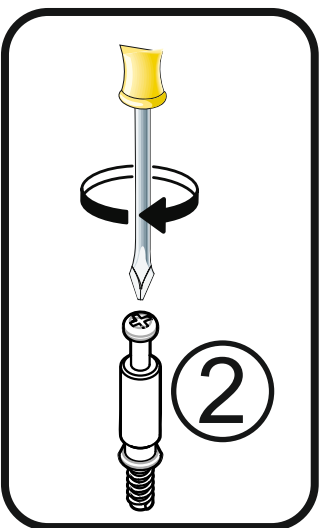
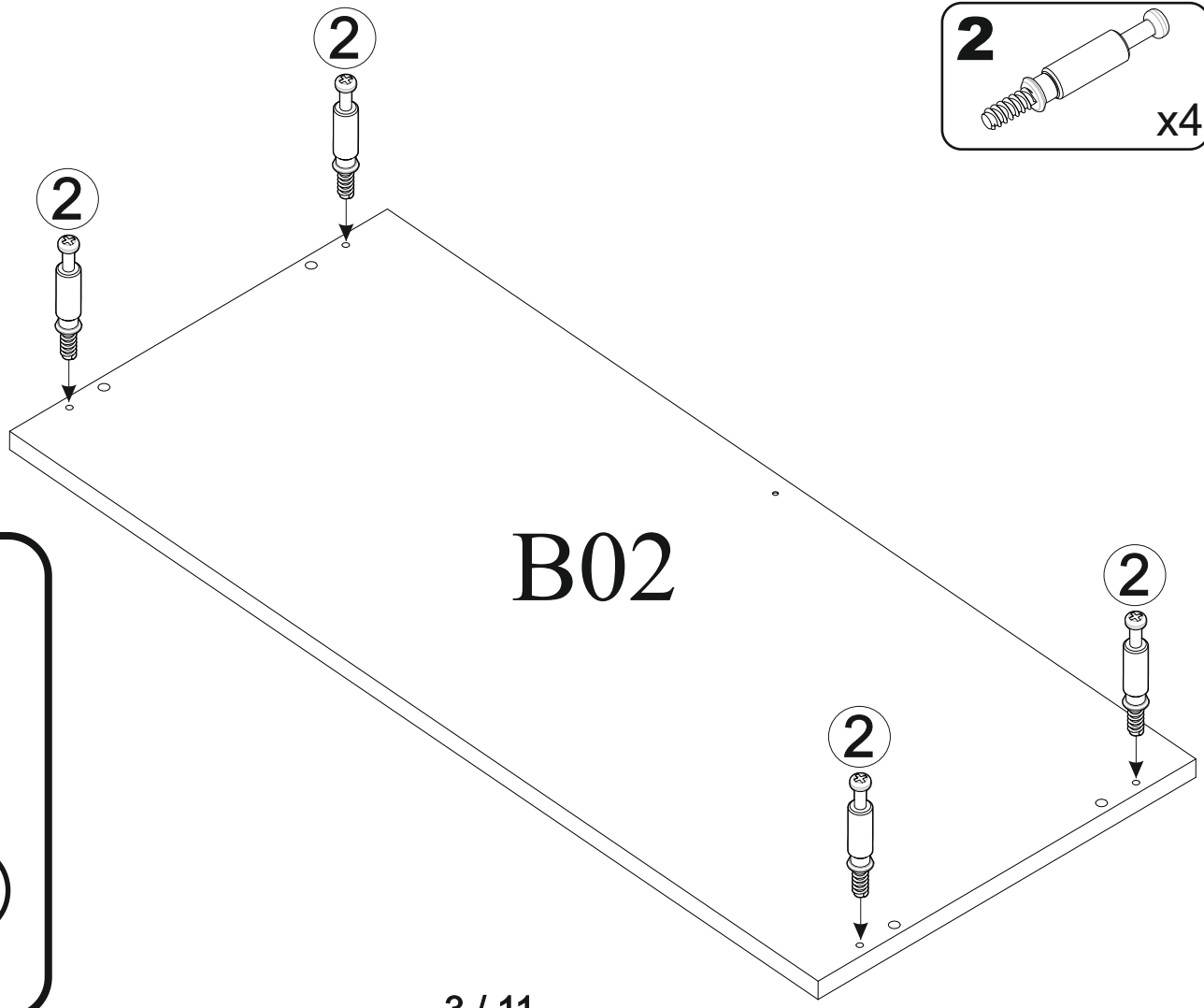
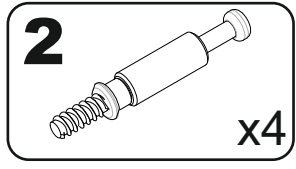
	A	B_(mm)	C_(mm)	D_(mm)	E	F
B01		802	500	16	x1	1 1
B02		802	350	16	x1	1 1
B03		306	500	16	x1	1 1
B04		306	500	16	x1	1 1
B05		224	350	16	x1	1 1
B06		224	350	16	x1	1 1
B09		802	500	16	x1	1 1
B30		316	778	3	x1	1 1
BS1		796	334	18	x1	1 1
B60		800	100	18	x1	1 1
BD1		738	353	3	x1	1 1
BT1		728	177	16	x1	1 1
WQ1		350	96	12	x2	1 1
WQ2		350	96	12	x2	1 1



1

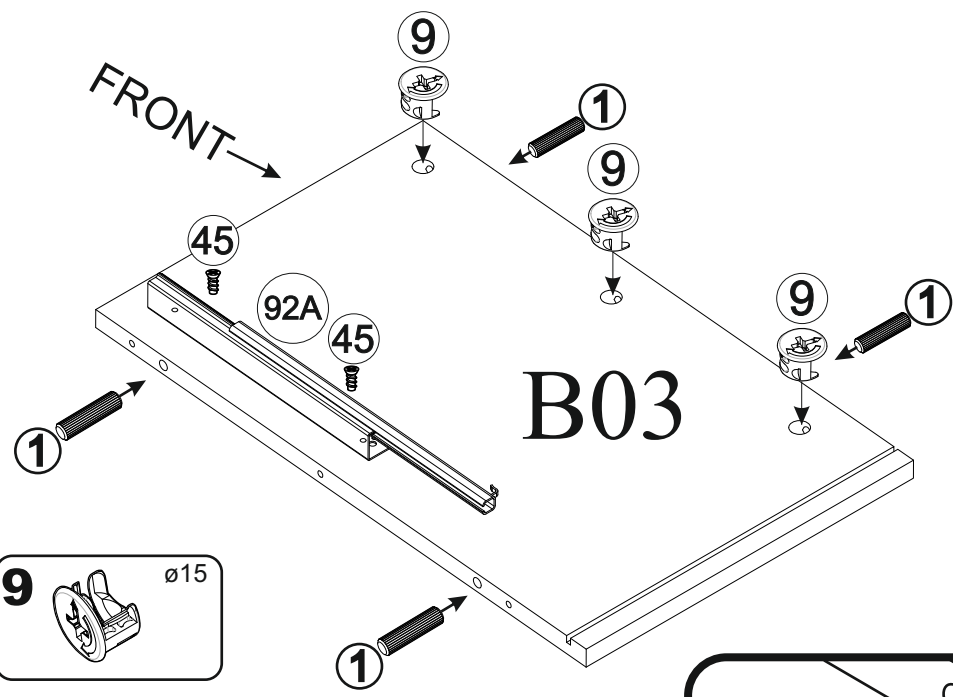


2

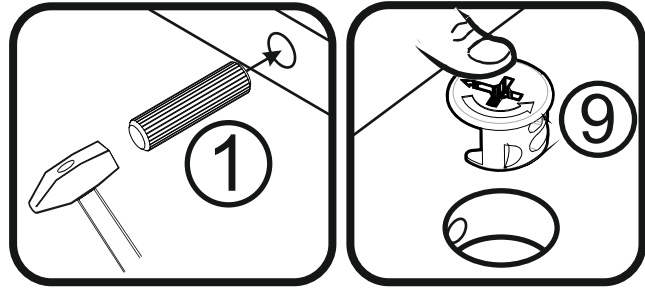
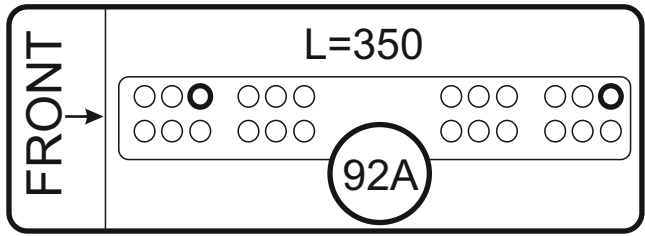


3

- 1**
x4
- 9**
ø15 x3
- 45**
6,3x13 x2
- 92A**
x1

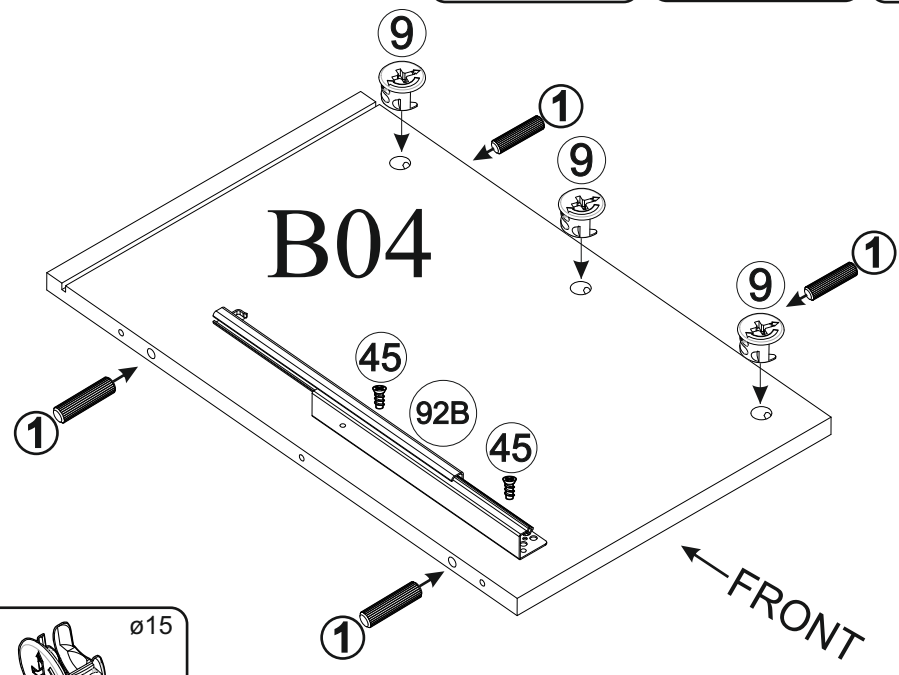


- ~~24~~
ø12
- 9**
ø15

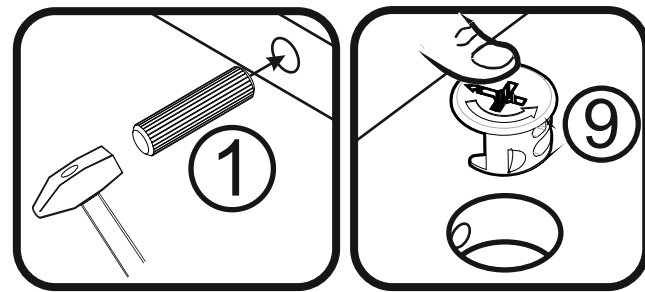
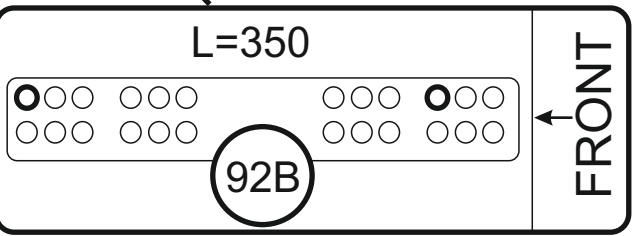


4

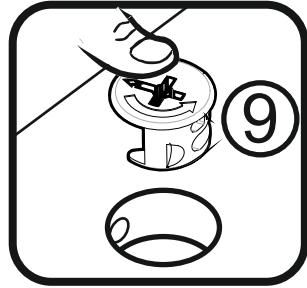
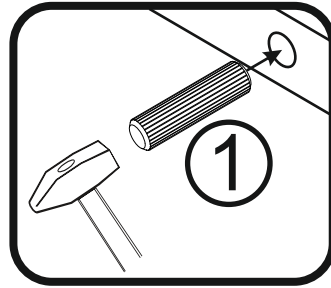
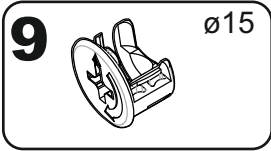
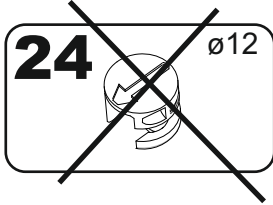
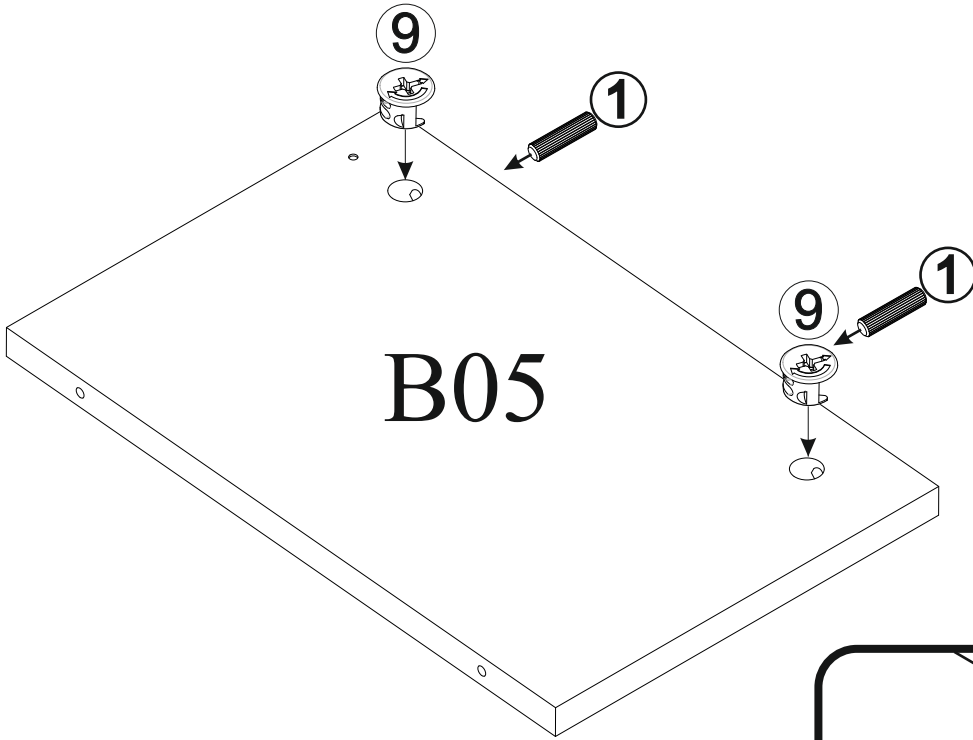
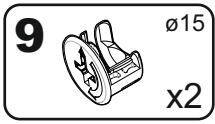
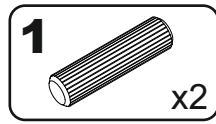
- 1**
x4
- 9**
ø15 x3
- 45**
6,3x13 x2
- 92B**
x1



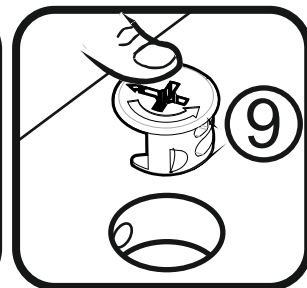
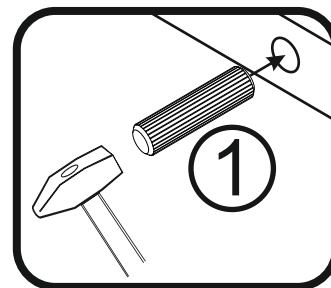
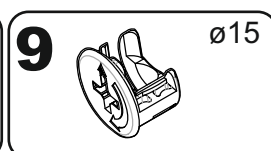
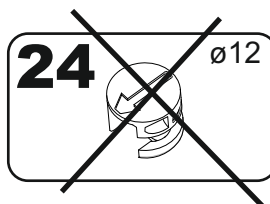
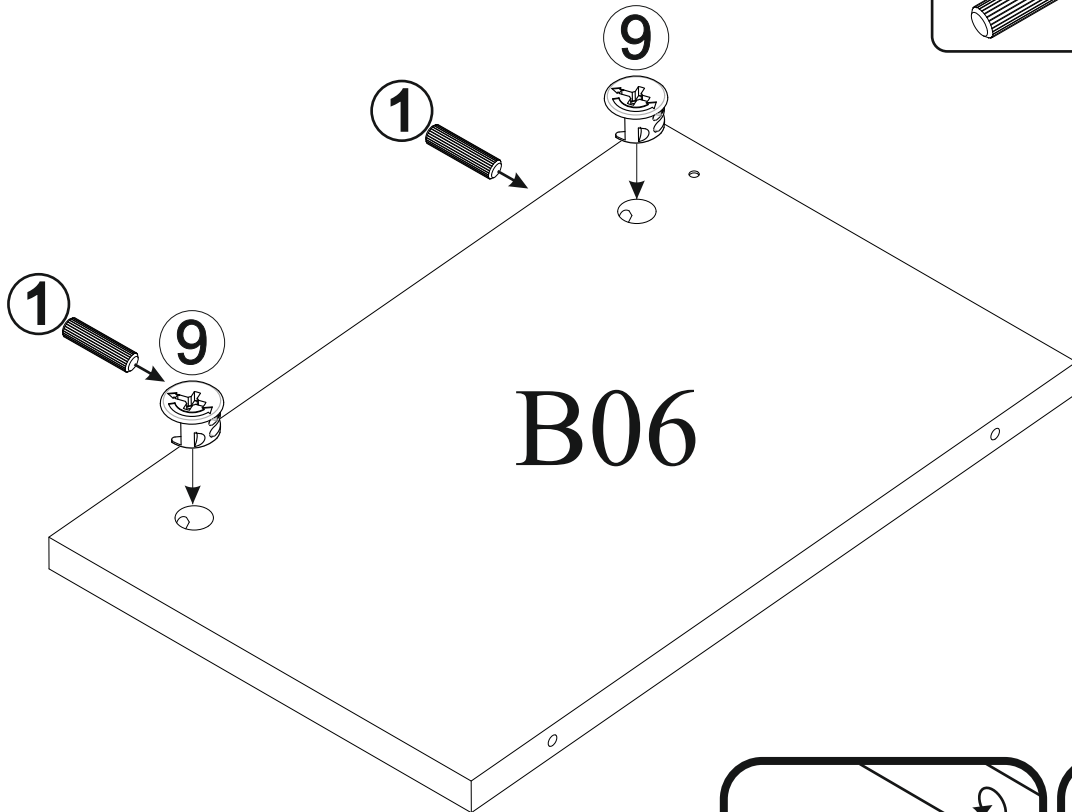
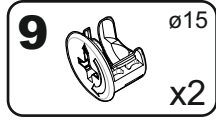
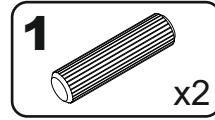
- ~~24~~
ø12
- 9**
ø15



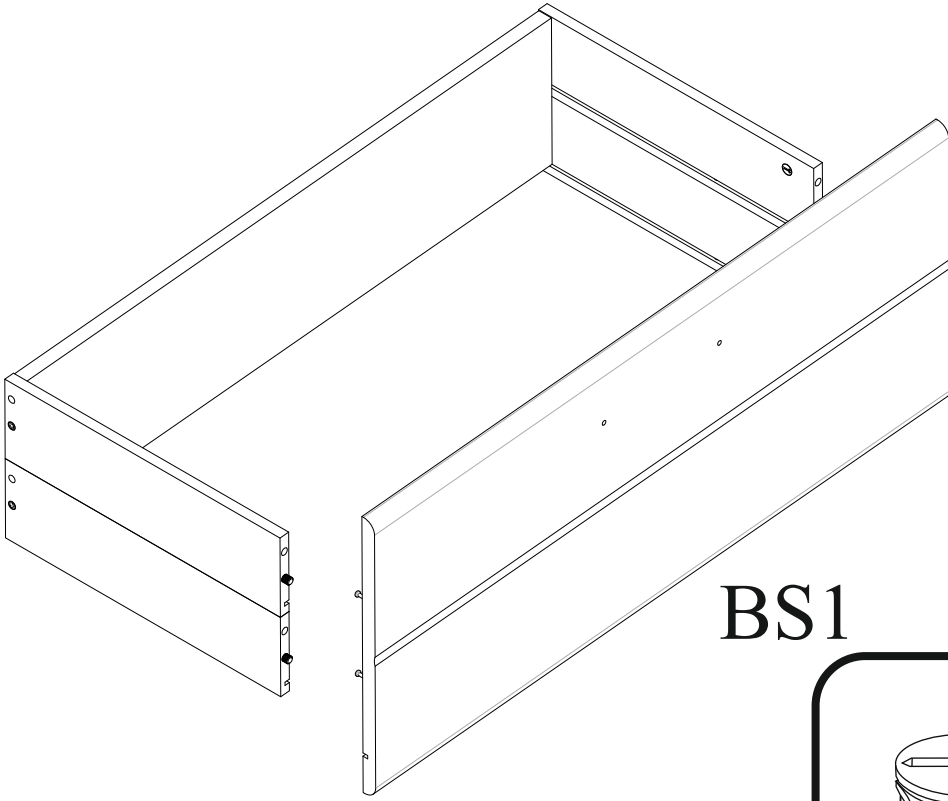
5



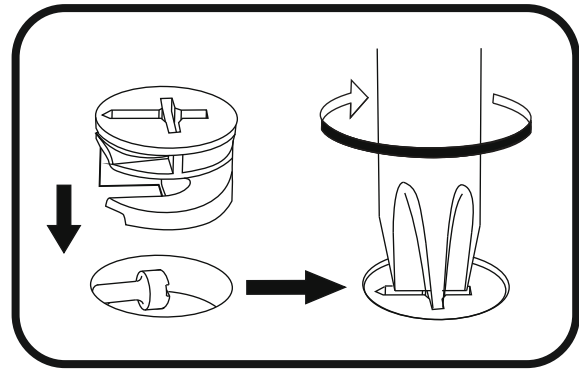
6



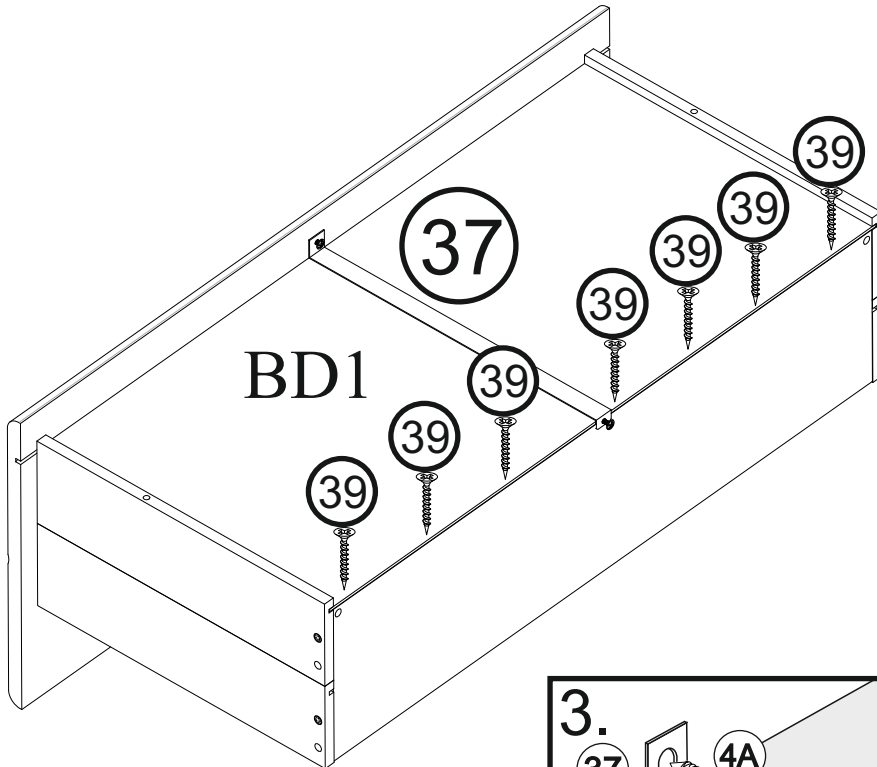
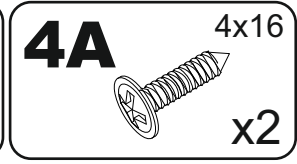
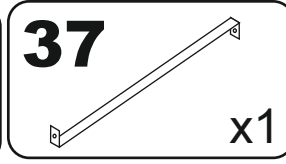
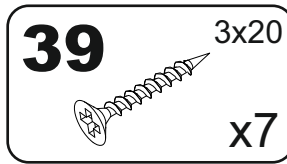
7



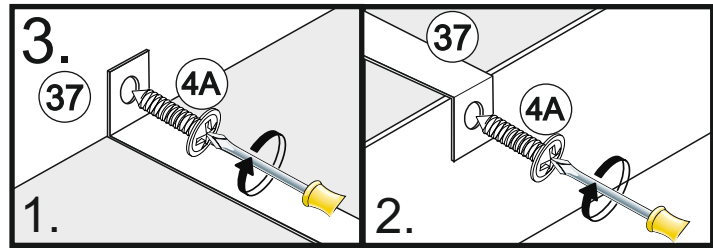
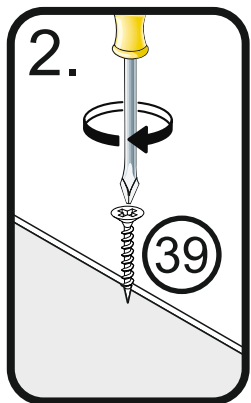
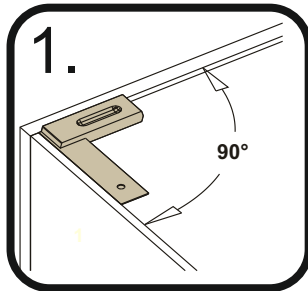
BS1



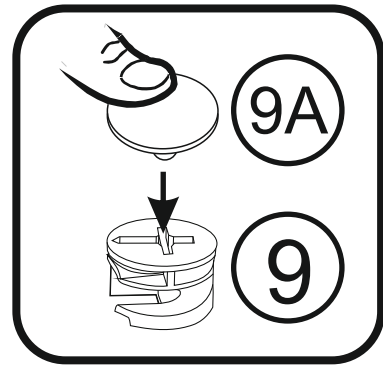
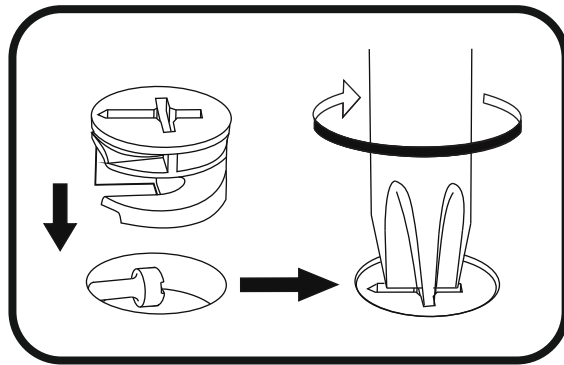
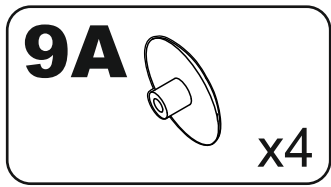
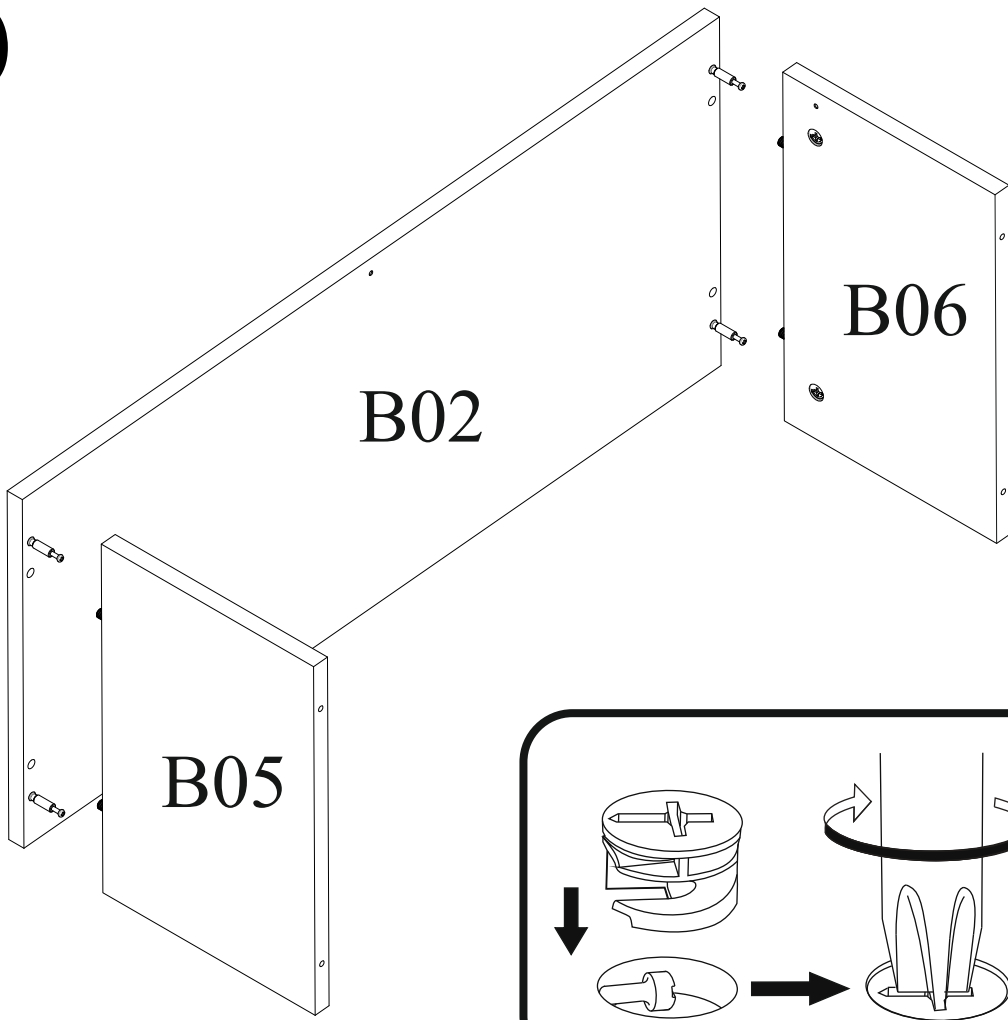
8



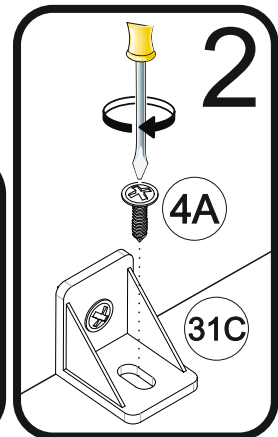
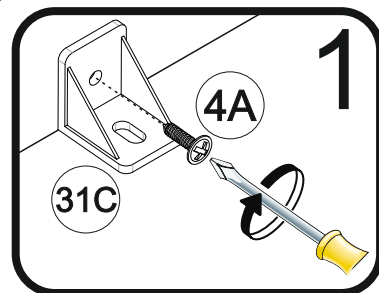
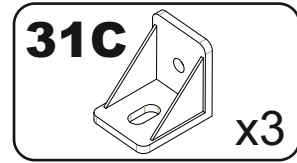
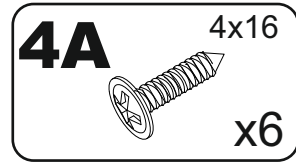
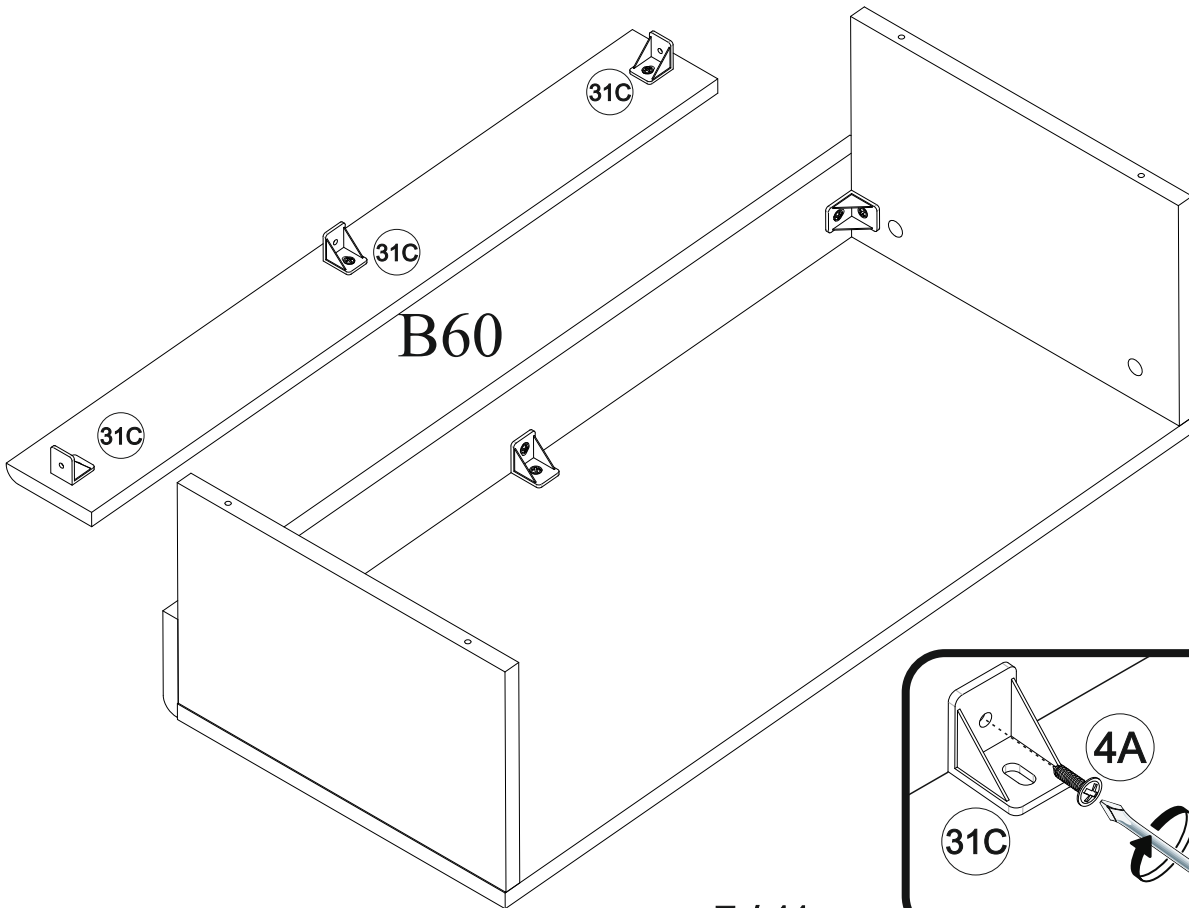
BD1



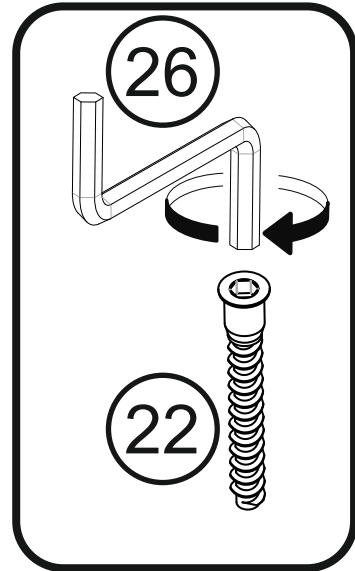
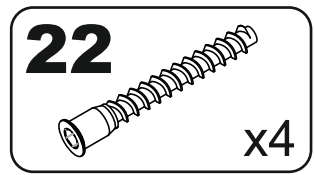
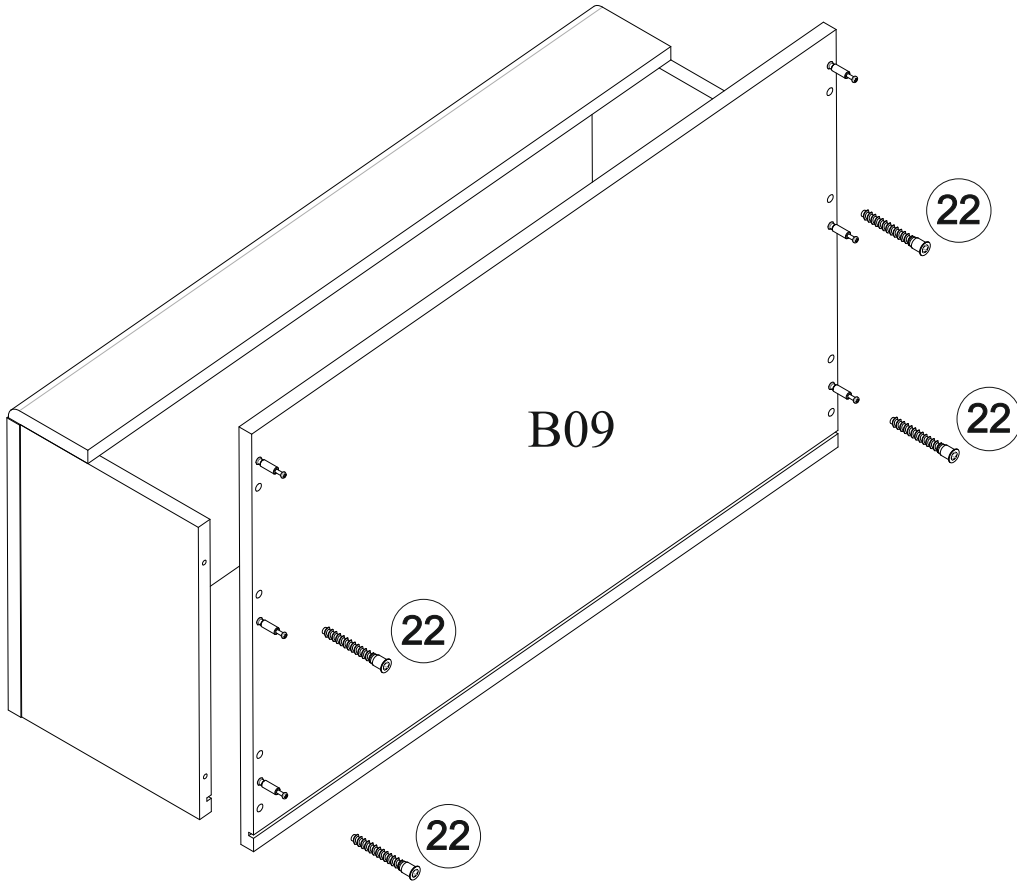
9



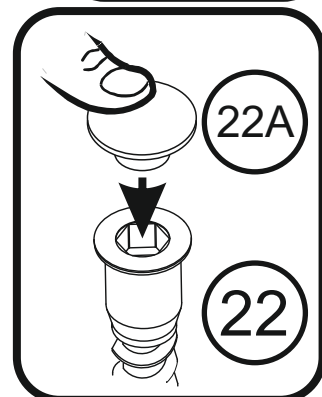
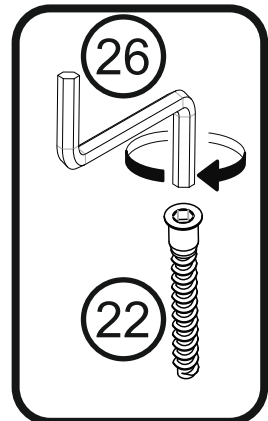
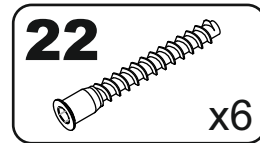
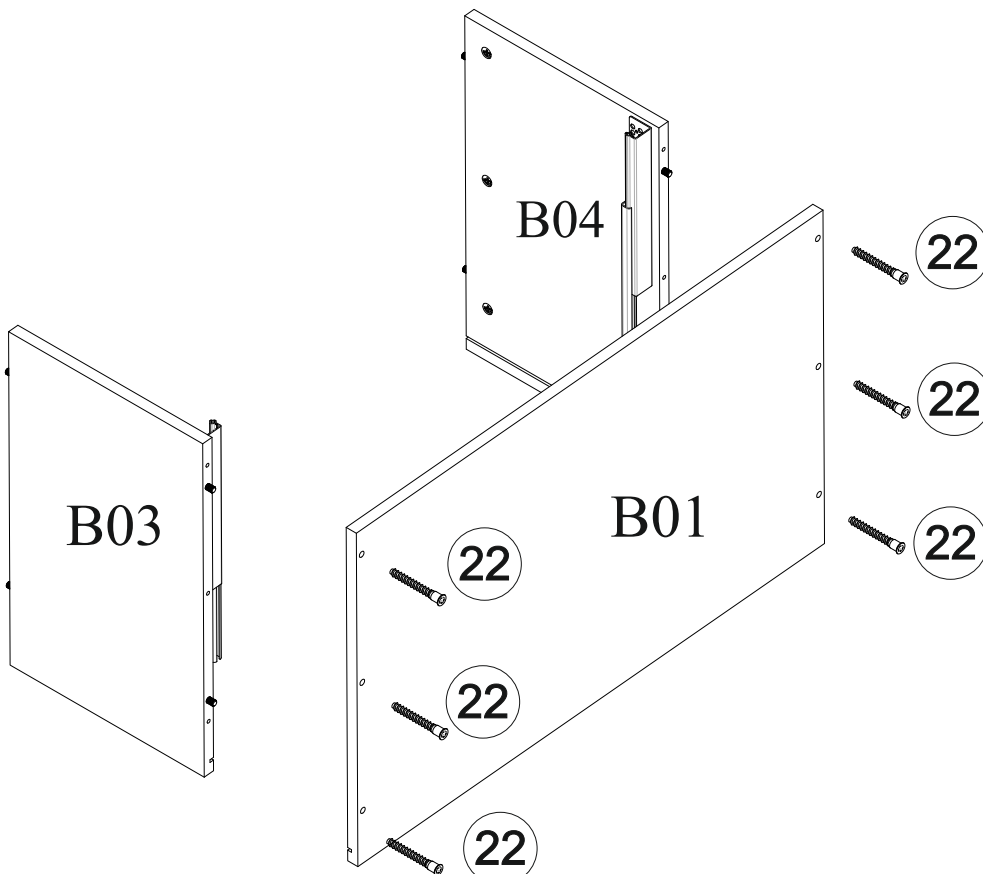
10



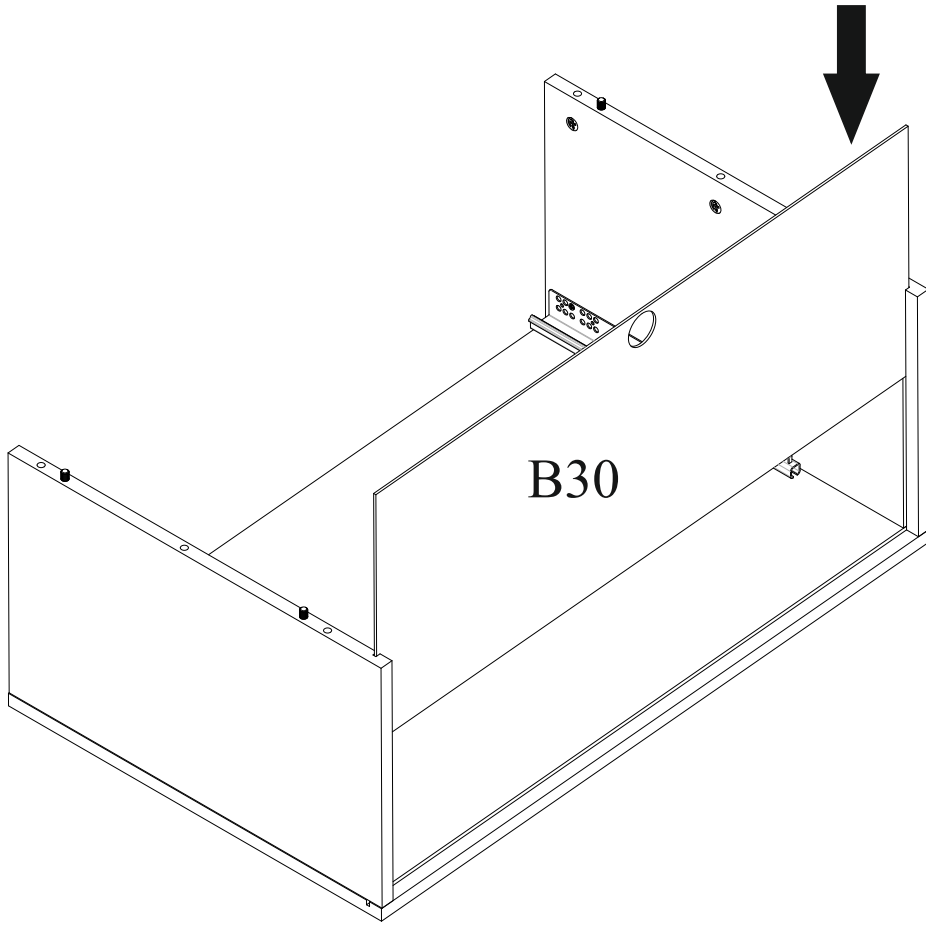
11



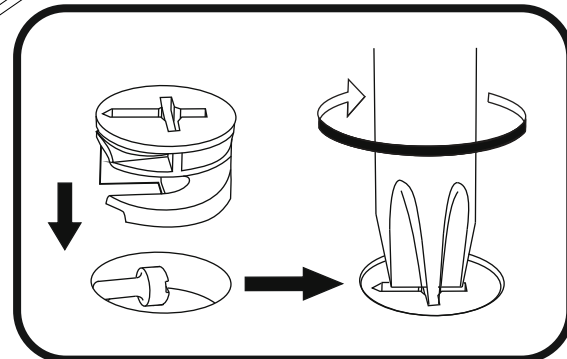
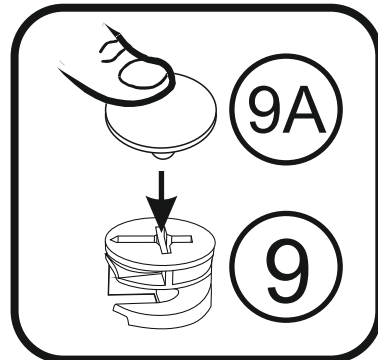
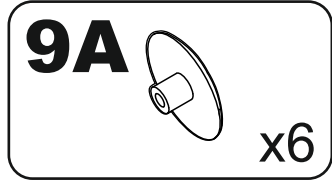
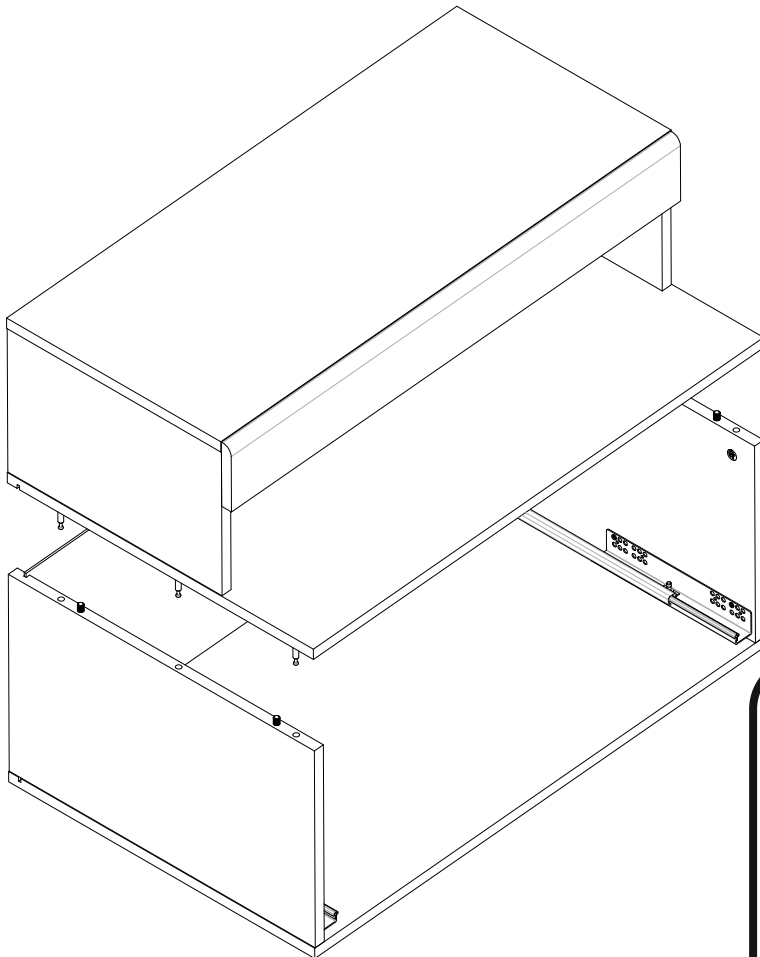
12



13

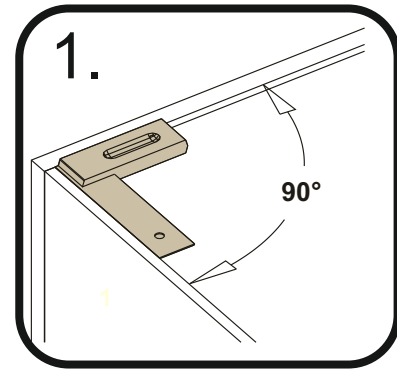
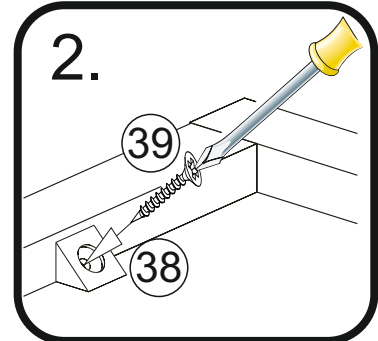
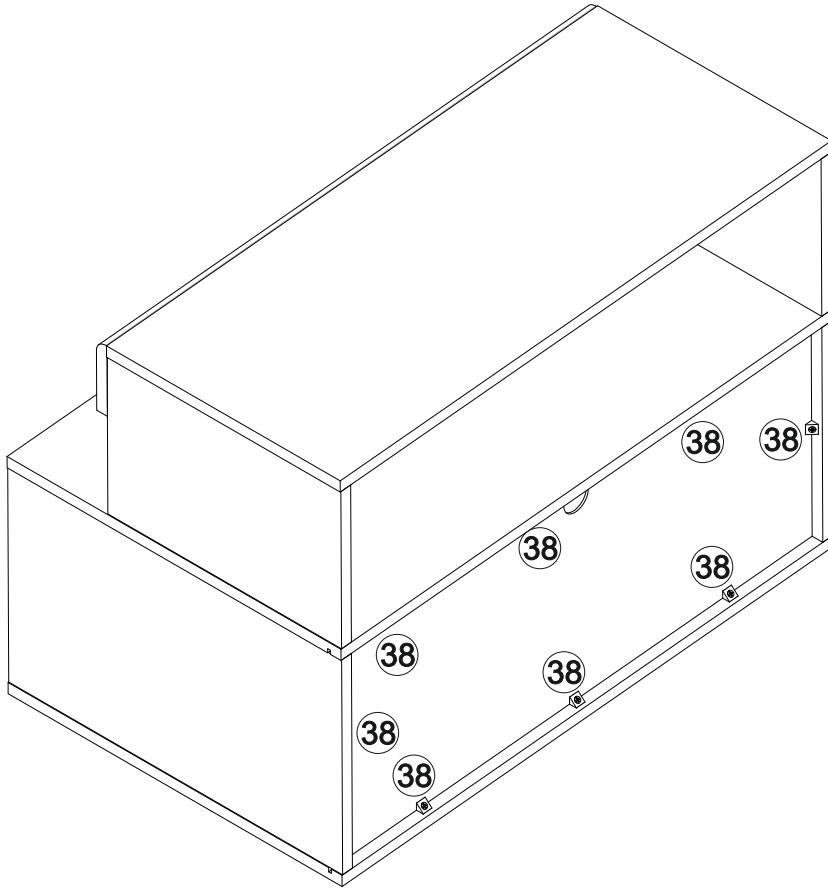
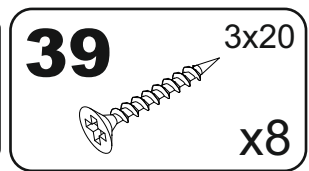
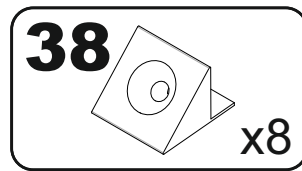


14

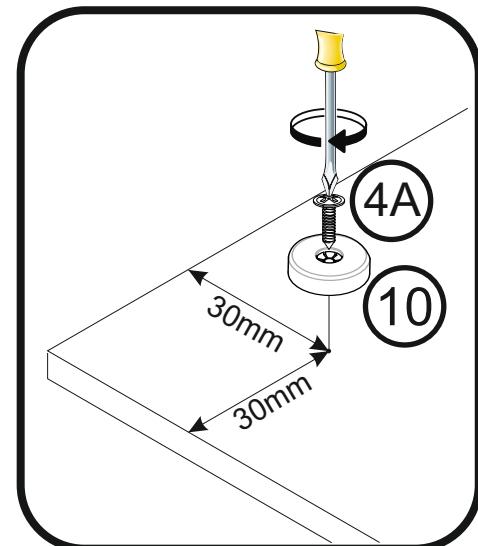
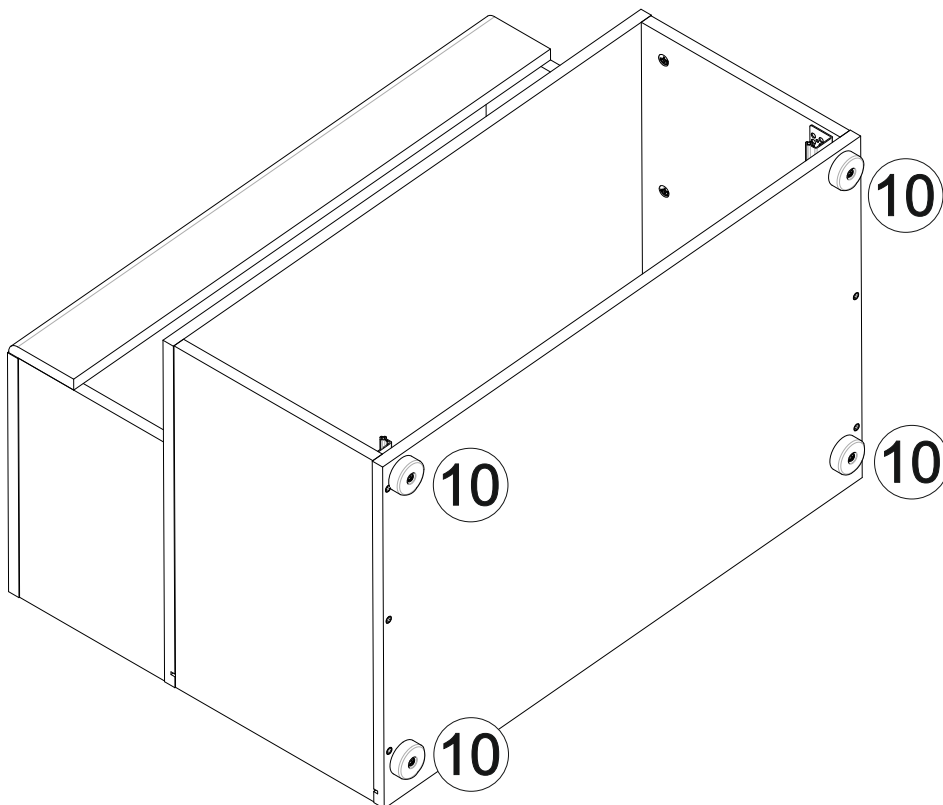
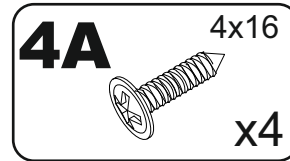
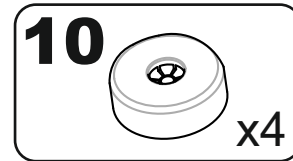


9 / 11

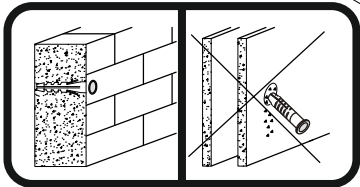
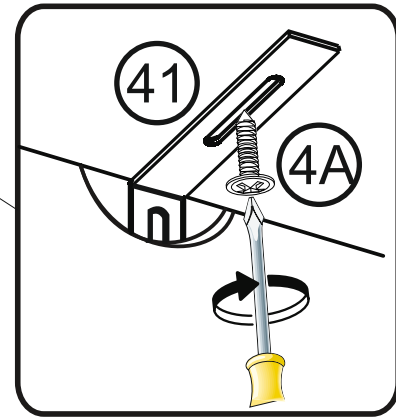
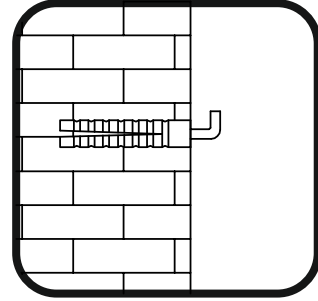
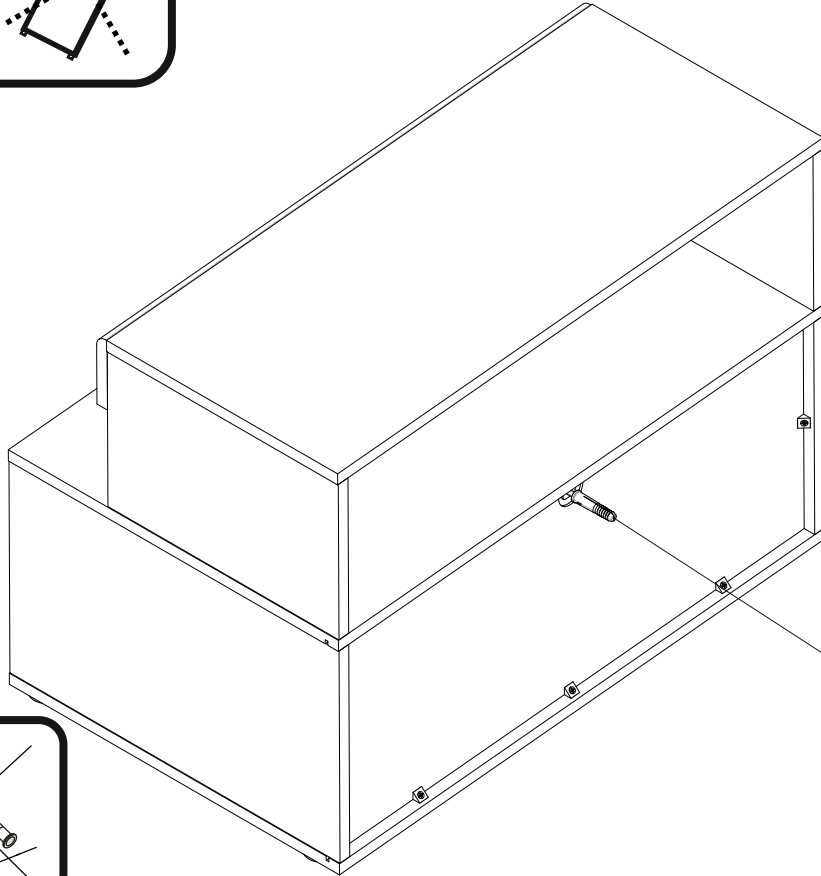
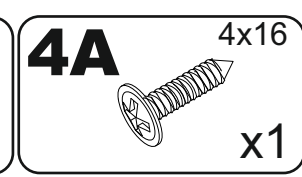
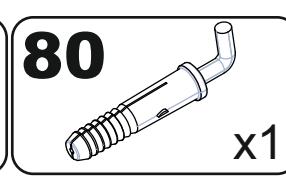
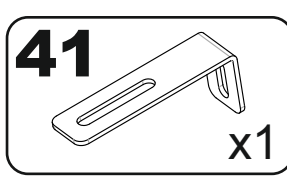
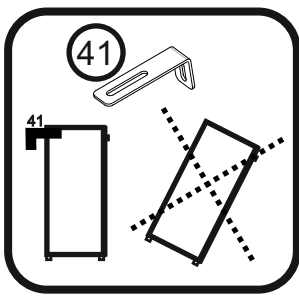
15



16



17



18

