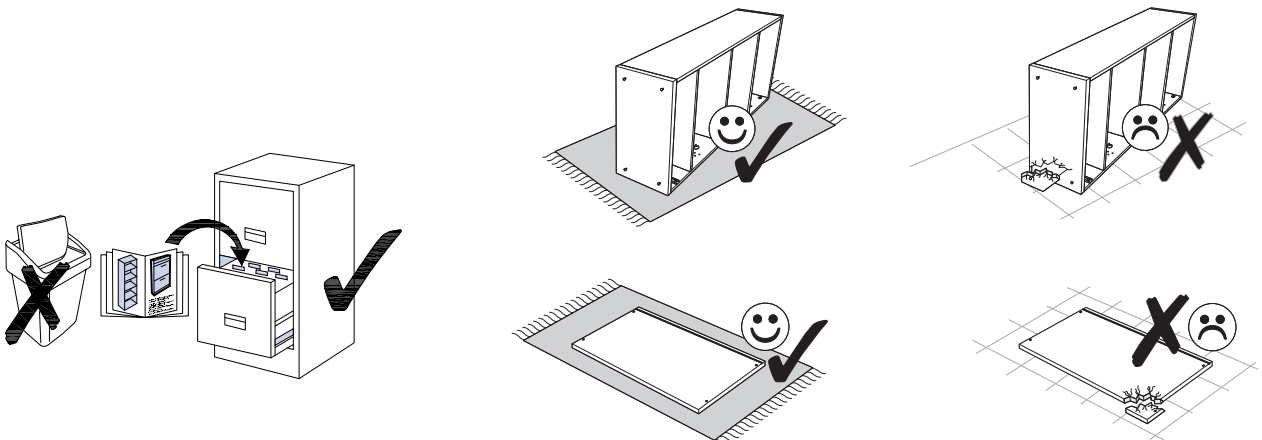
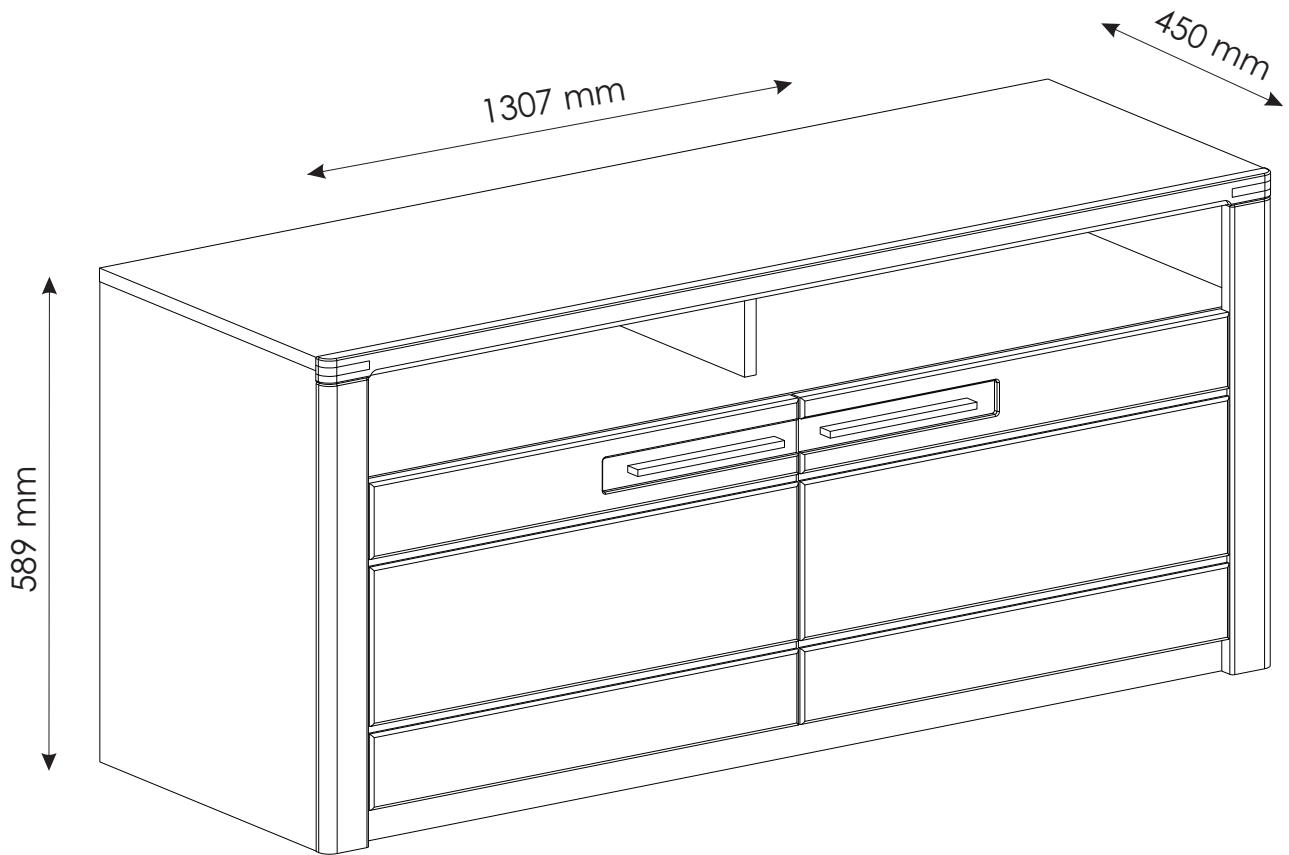
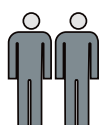
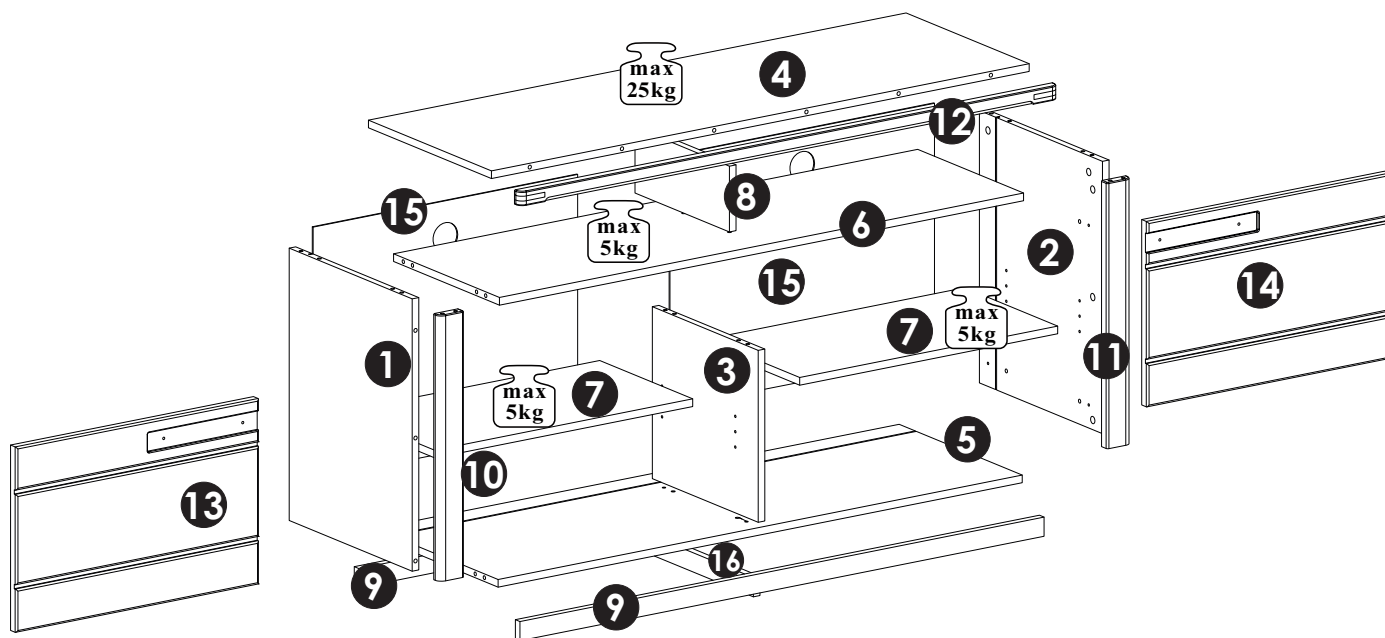
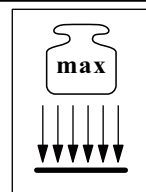


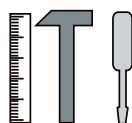
Nature One 12 18 FF 30



Nature One 12 18 FF 30

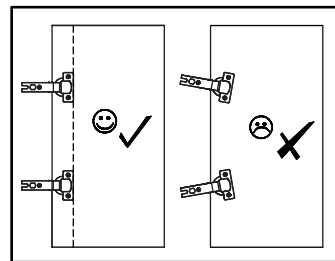
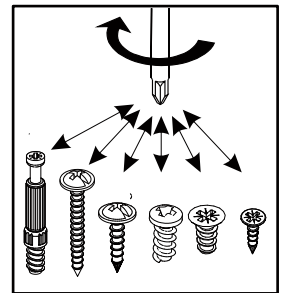
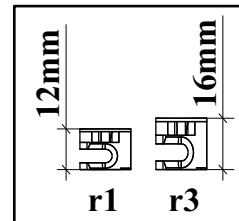
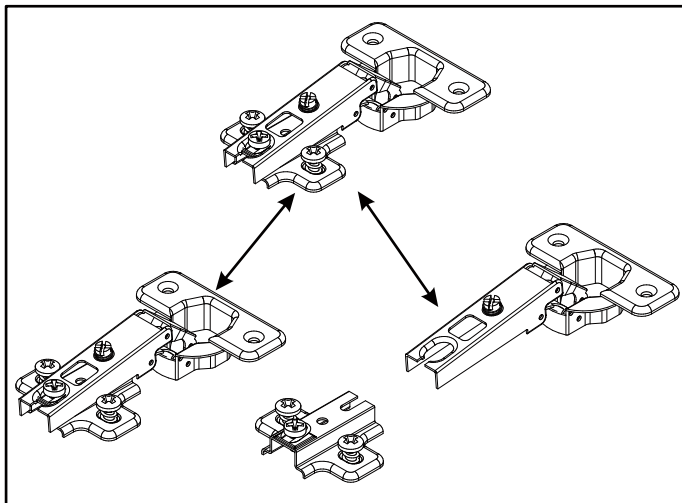
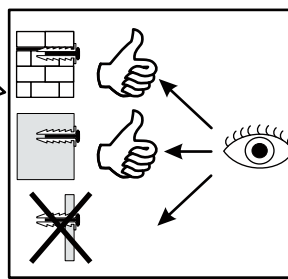
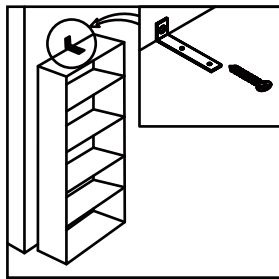
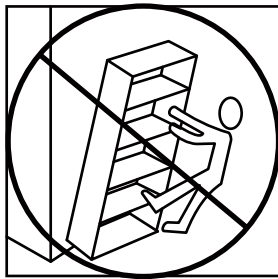
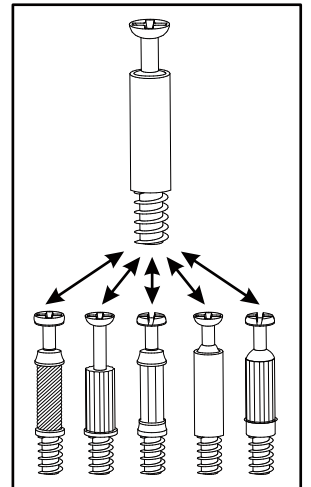
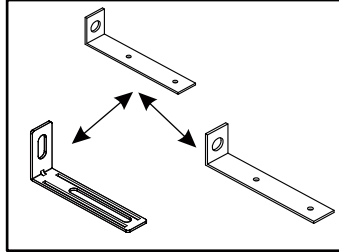
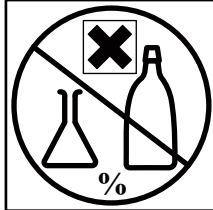
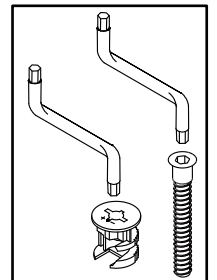
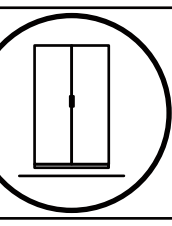
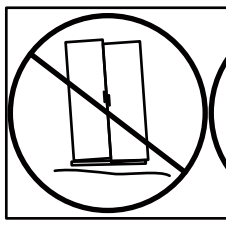
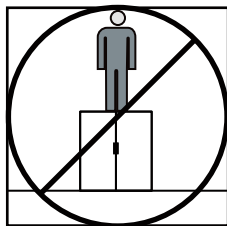
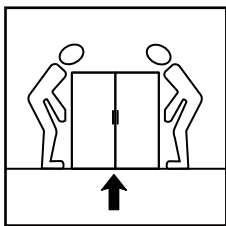
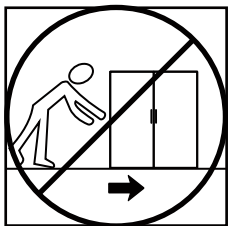
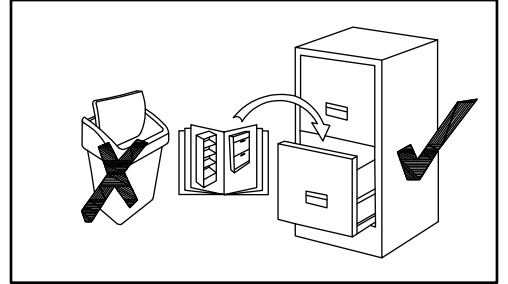
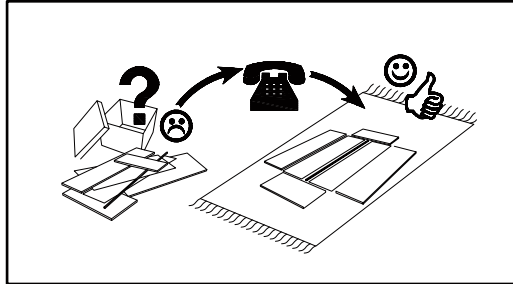
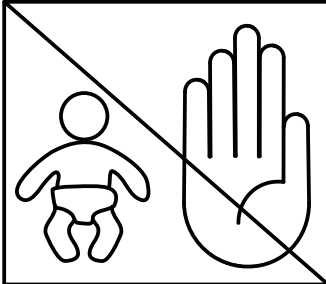
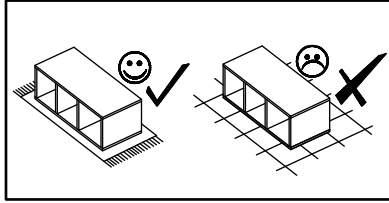
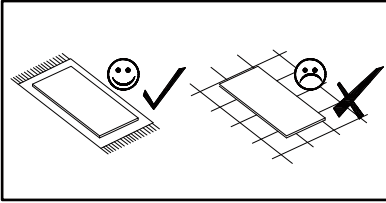
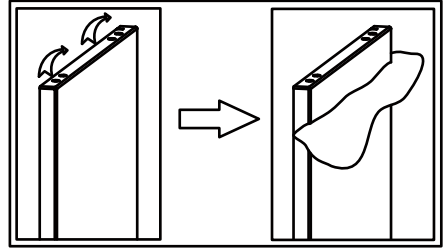


90 min




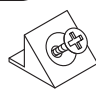





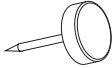

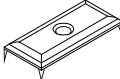

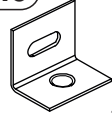
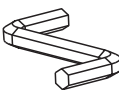
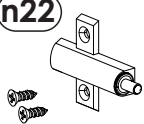



NO	Dim.(mm)			Col.-No	Qty
1	567	430	16	2/3	1
2	567	430	16	2/3	1
3	358	370	16	2/3	1
4	1306	430	16	1/3	1
5	1273	430	16	1/3	1
6	1273	370	16	1/3	1
7	626,5	325	16	2/3	2
8	137	330	16	2/3	1
9	1273	40	16	1/3	2
10	554	60	20	1/3	1
11	554	60	20	1/3	1
12	1308	30	20	1/3	1
13	590	386	20	3/3	1


NO	Dim.(mm)			Col.-No	Qty
14	590	386	20	3/3	1
15	525	642,5	3	2/3	2
16	396	40	16	1/3	1
A				2/3	2




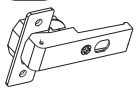
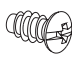
A1

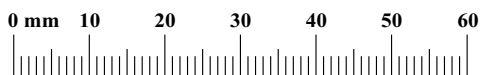
<p>f1</p>  <p>φ8x30 mm x24</p>	<p>r16</p>  <p>x26</p>	<p>o21</p>  <p>x2</p>	<p>l2</p>  <p>x10</p>	<p>s2</p>  <p>x26</p>	<p>p1</p>  <p>φ3.5x13 mm x36</p>	<p>j2</p>  <p>M4x20 mm x4</p>
<p>r1</p>  <p>x26</p>	<p>e1</p>  <p>φ6.5x50 mm x2</p>	<p>k1</p>  <p>x6</p>	<p>p4</p>  <p>φ3.5x16 mm x7</p>	<p>l9</p>  <p>x3</p>	<p>d1</p>  <p>φ5x17 mm x8</p>	<p>n6</p>  <p>x14</p>
<p>z1</p>  <p>x1</p>	<p>n22</p>  <p>x2</p>	<p>s3</p>  <p>x2</p>				

A2

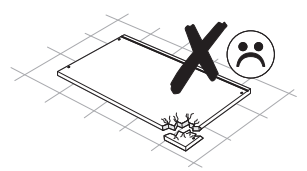
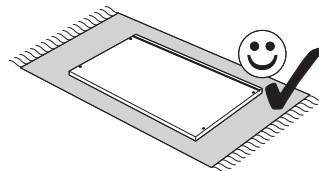
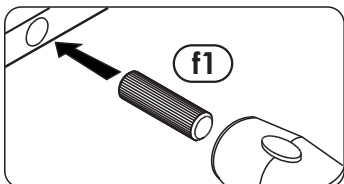
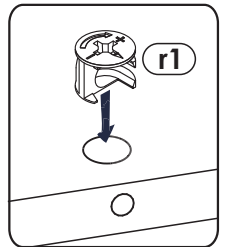
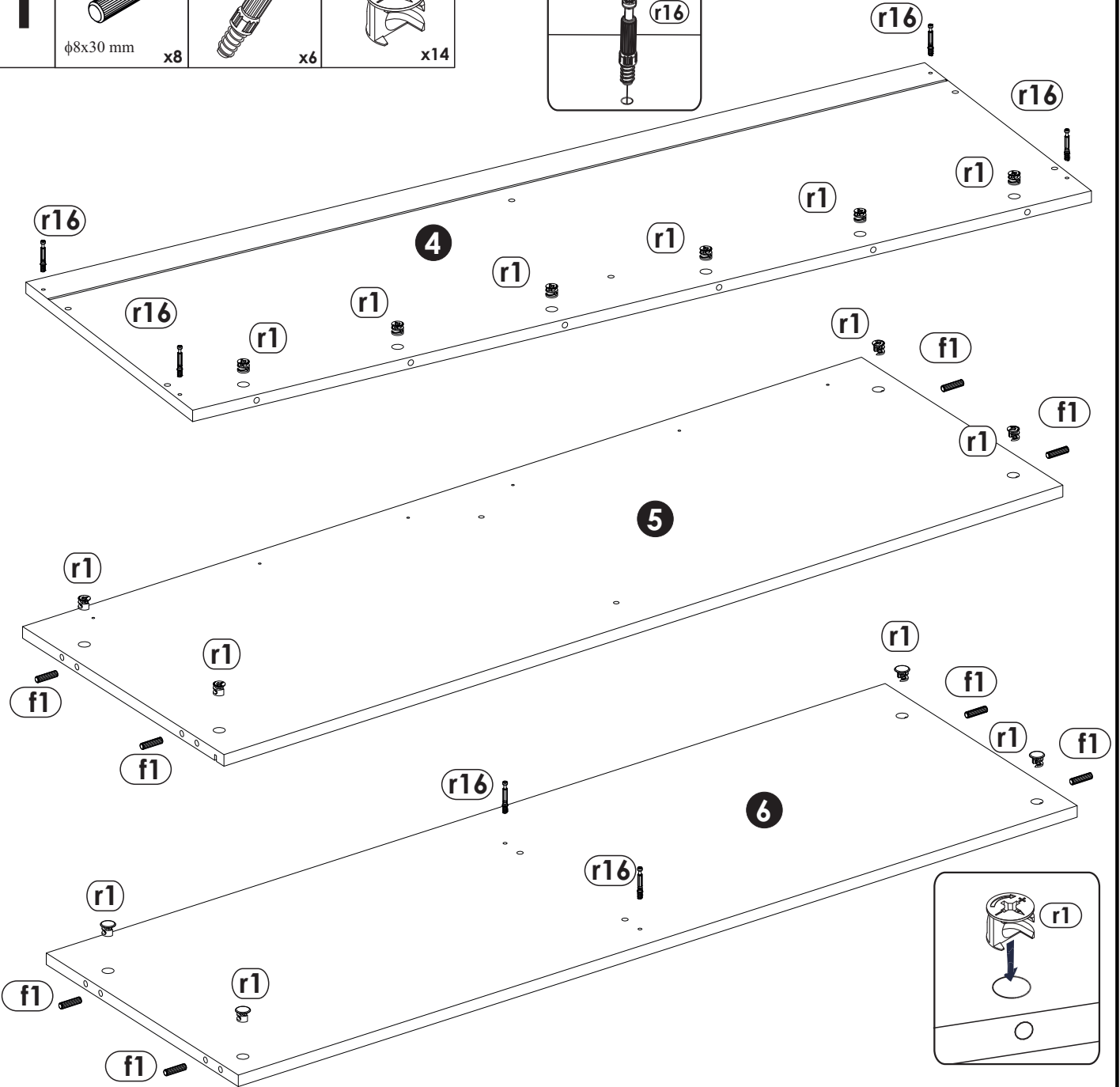
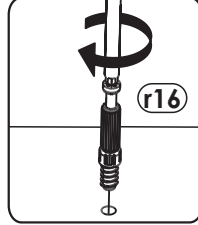
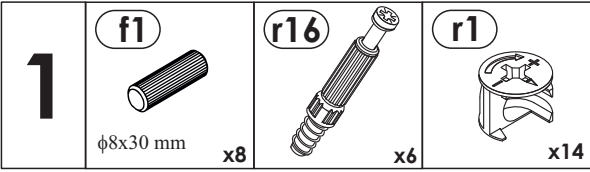
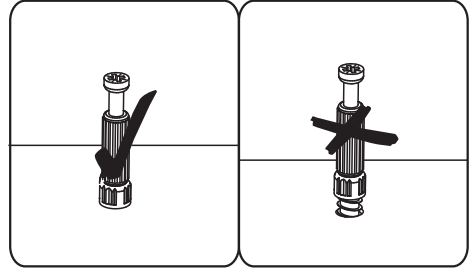
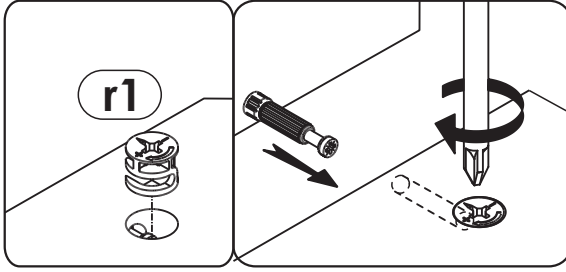
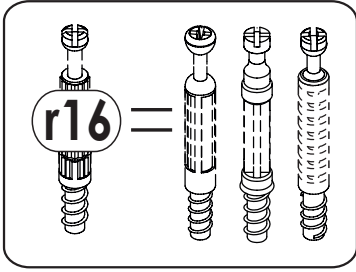
<p>c28</p>  <p>192 mm x2</p>
--

A3



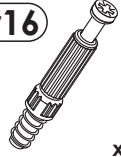
<p>b6</p>  <p>x4</p>	<p>a6</p>  <p>φ35 mm x4</p>	<p>e2</p>  <p>φ6.3x13 mm x8</p>
---	--	--

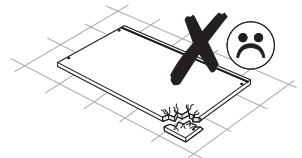
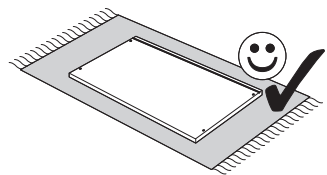
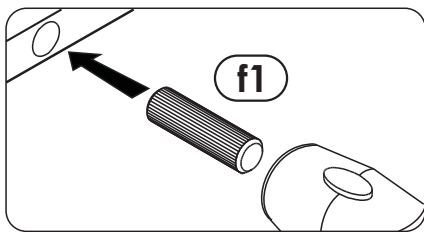
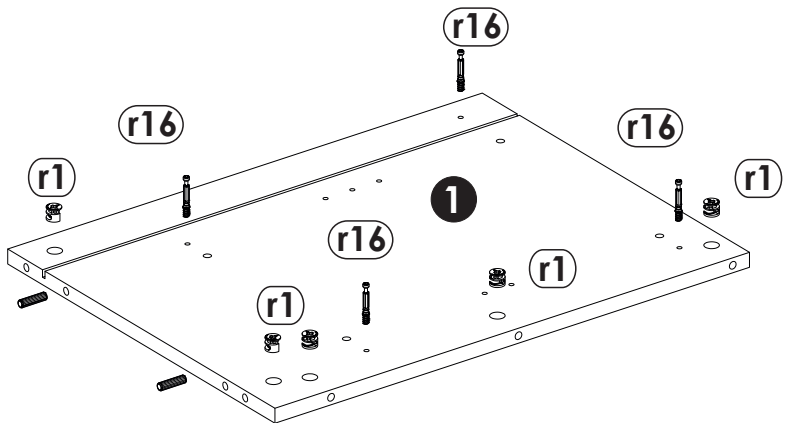
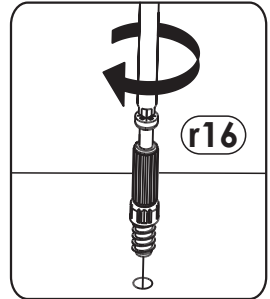
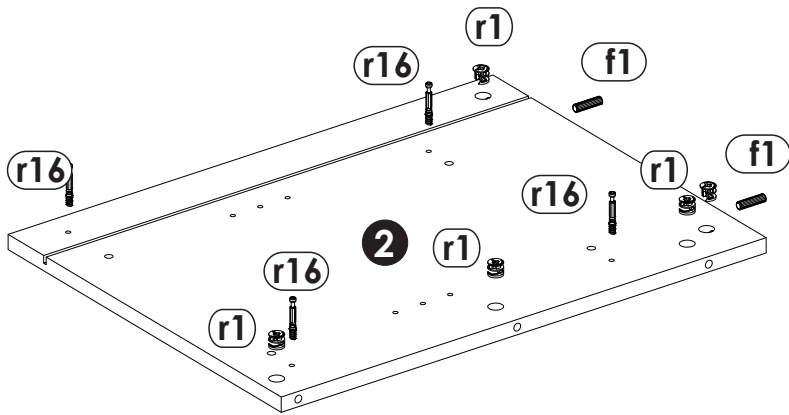
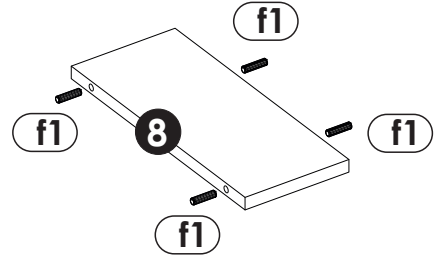
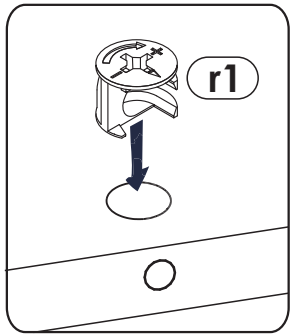
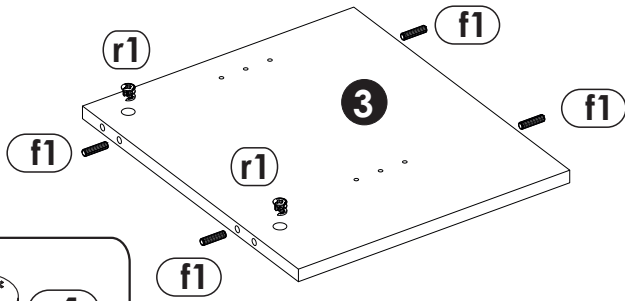
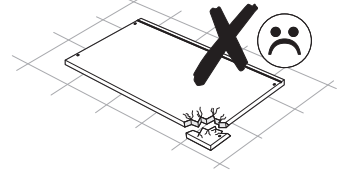
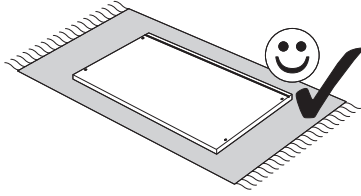


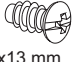
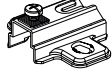
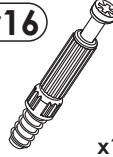
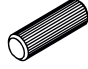
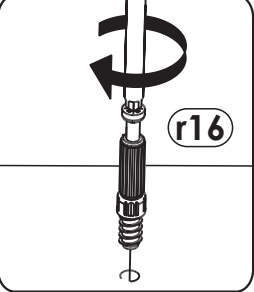
Nature One 12 18 FF 30

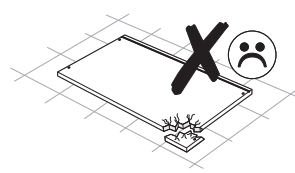
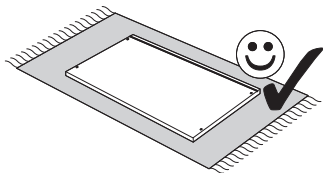
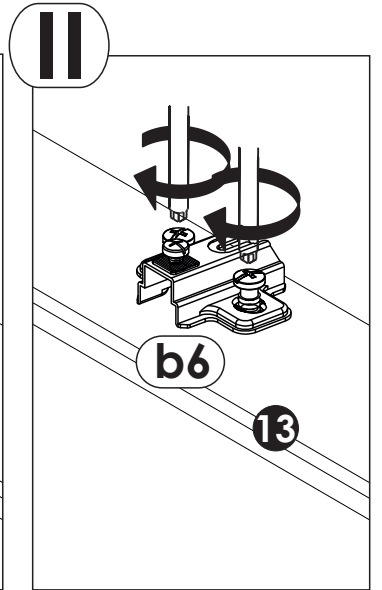
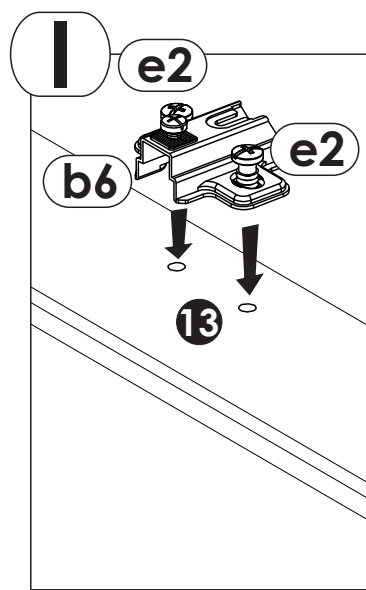
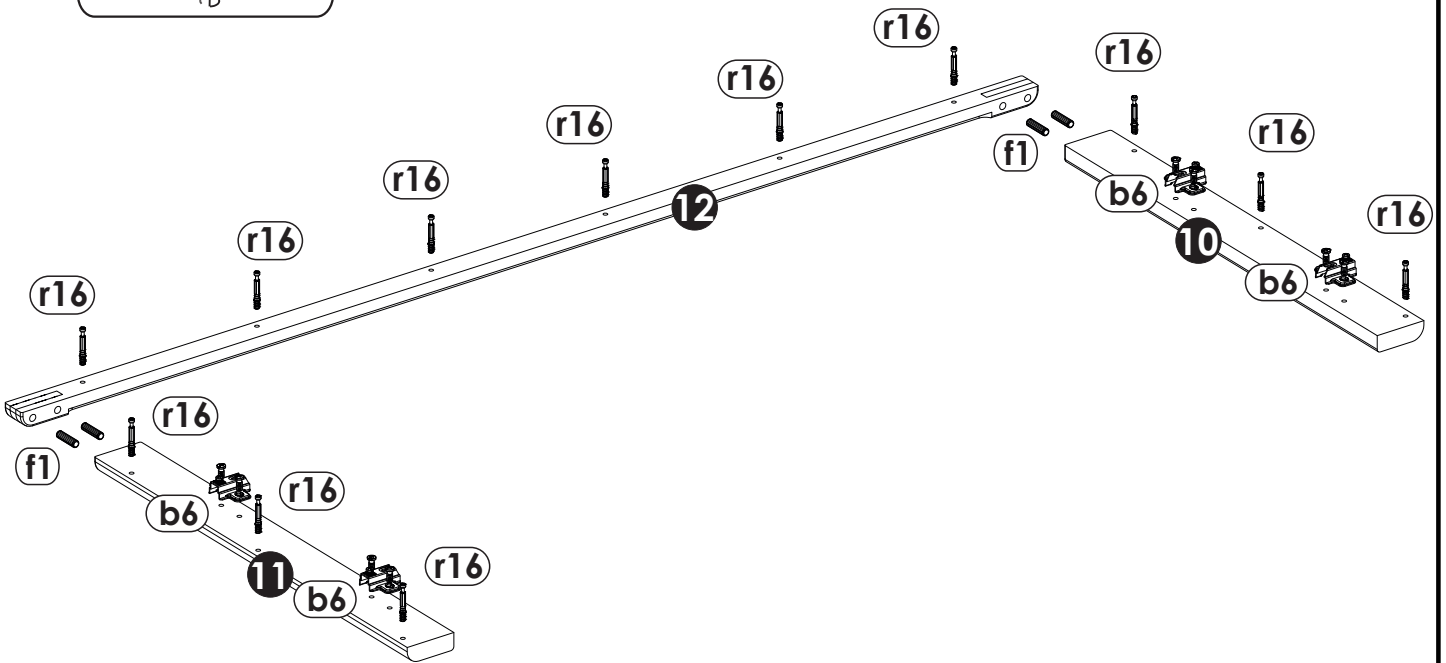
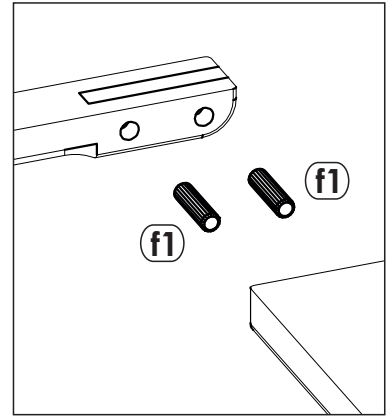


Nature One 12 18 FF 30


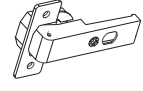
2	 f1 φ8x30 mm x12	 r1 x12	 r16 x8
----------	--	---	---

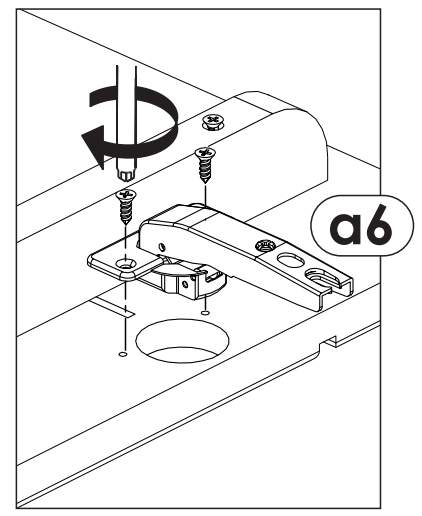
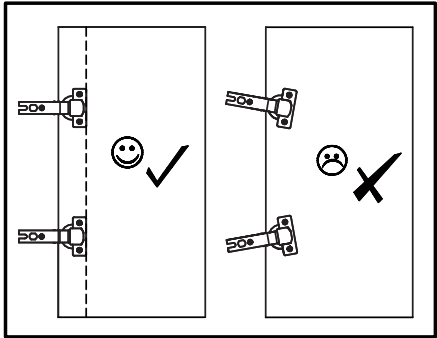
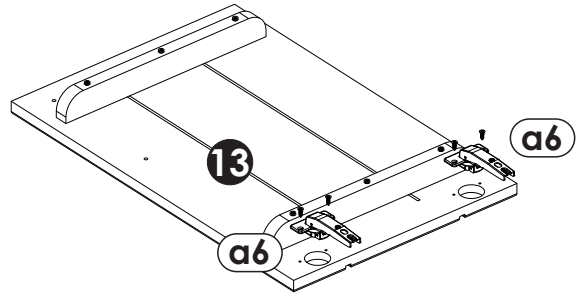
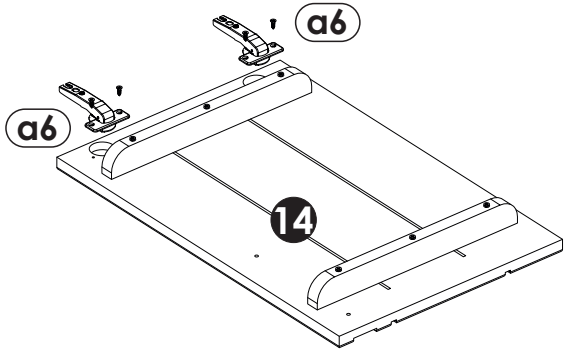
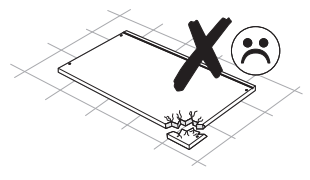
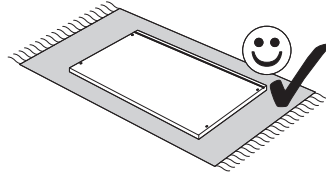


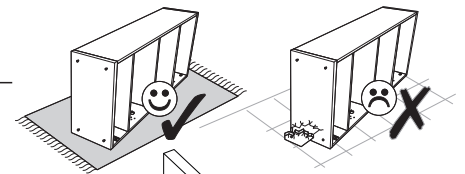
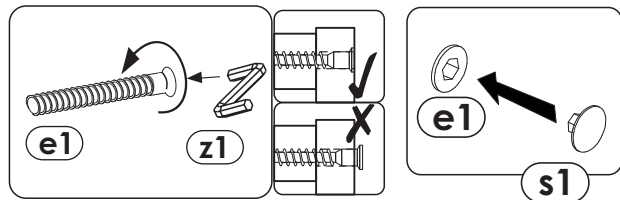
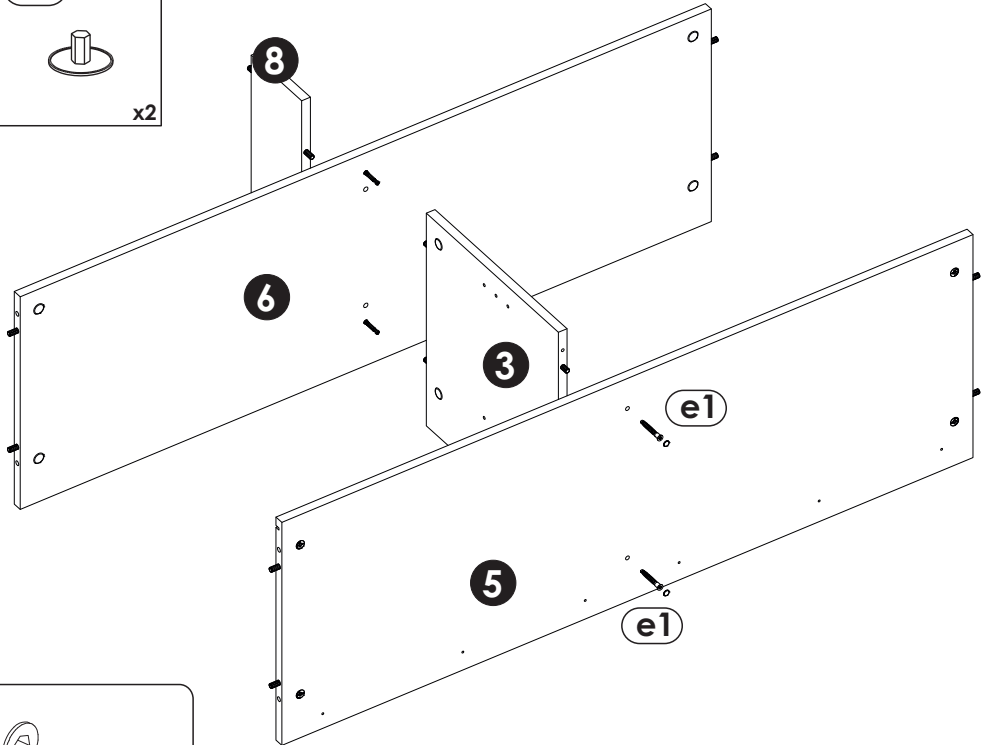
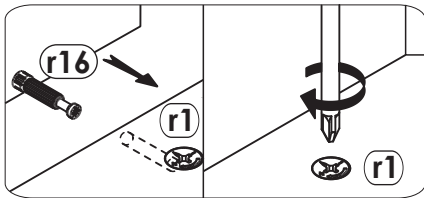
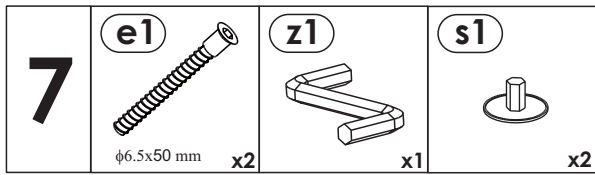
3	e2  φ6.3x13 mm x8	b6  x4	r16  x12	f1  φ8x30 mm x4
				



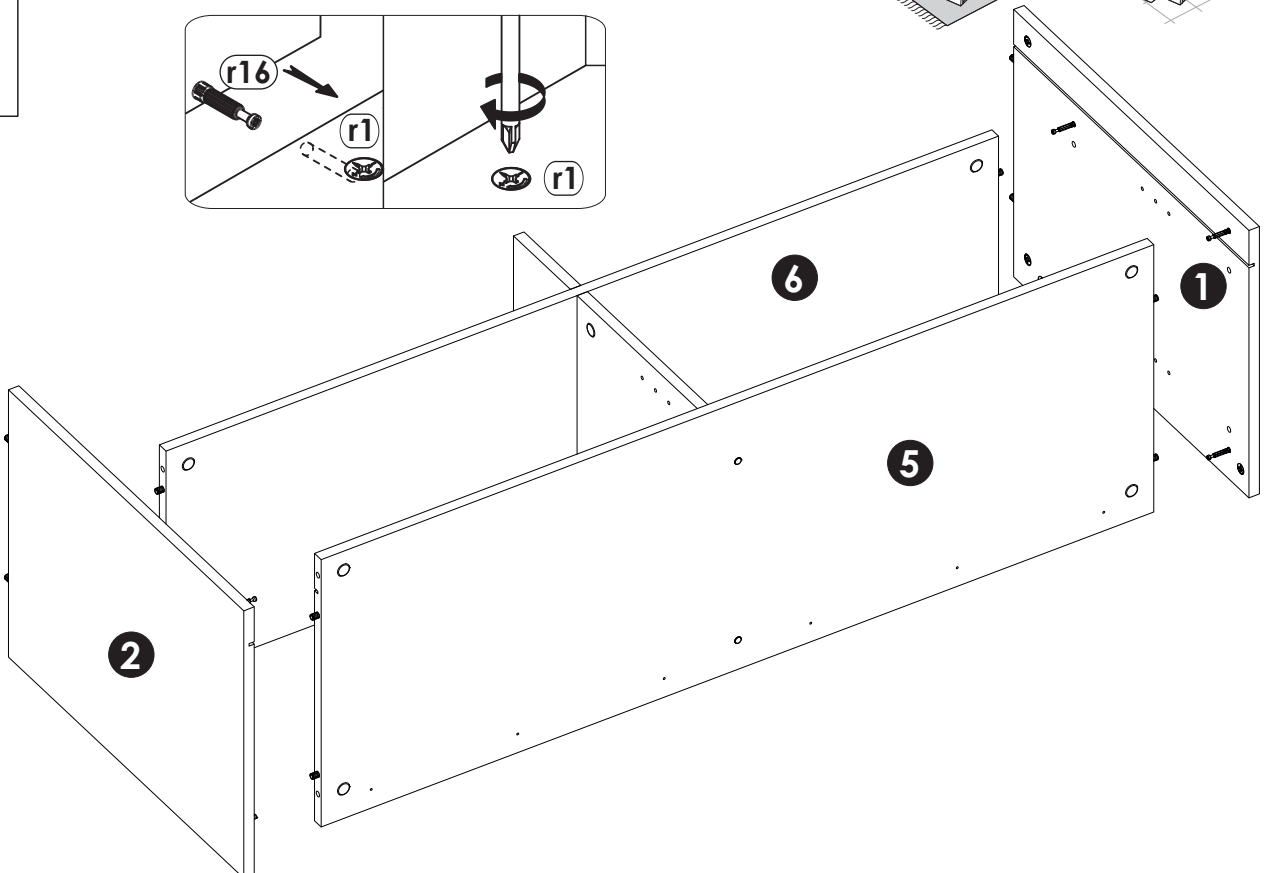
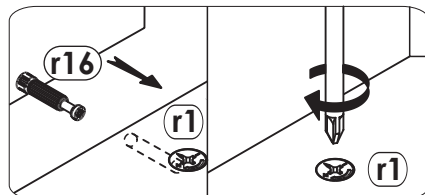
Nature One 12 18 FF 30

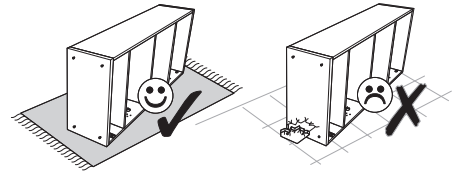
4	p1  φ3.5x13 mm	a6 
	x8	x4



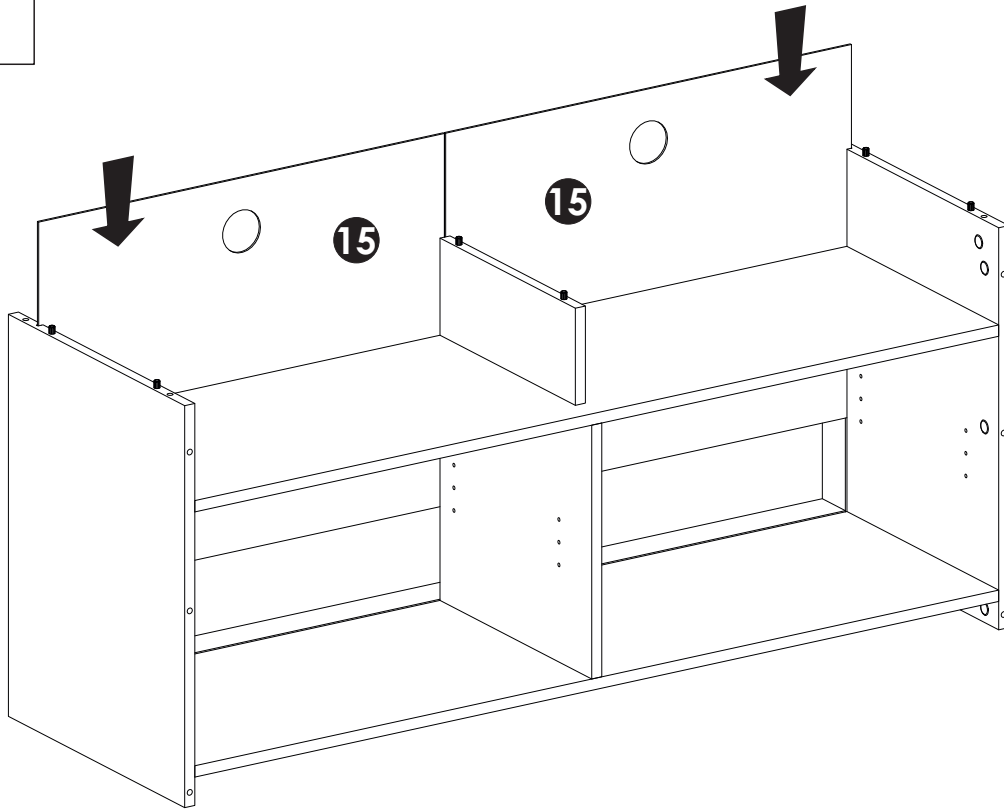


8

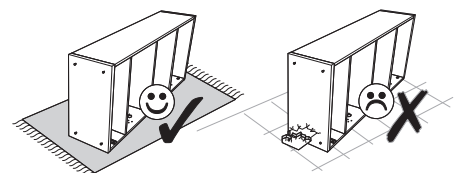
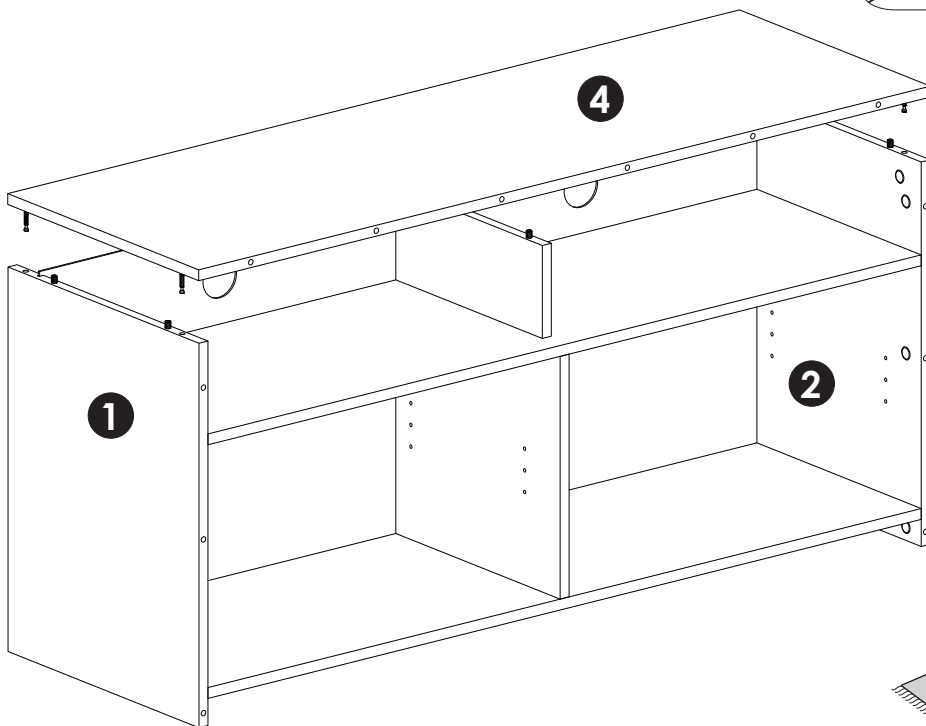
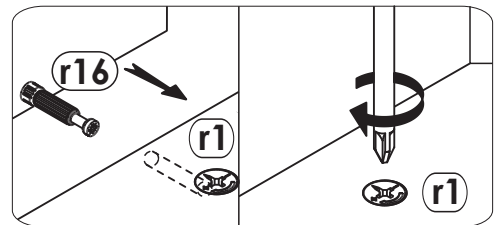




9



10



Nature One 12 18 FF 30

11

