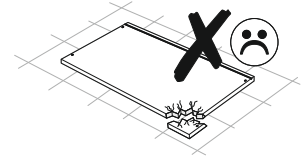
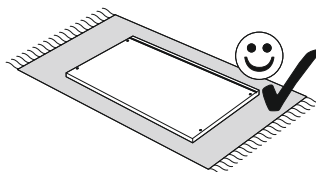
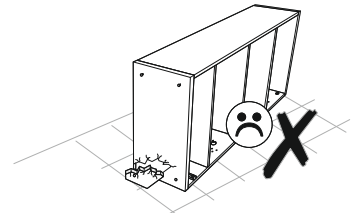
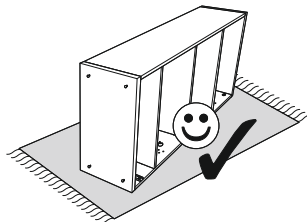
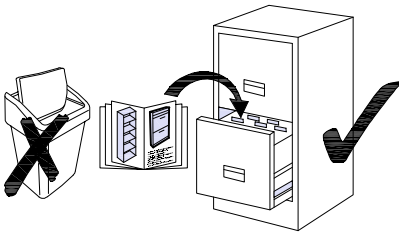
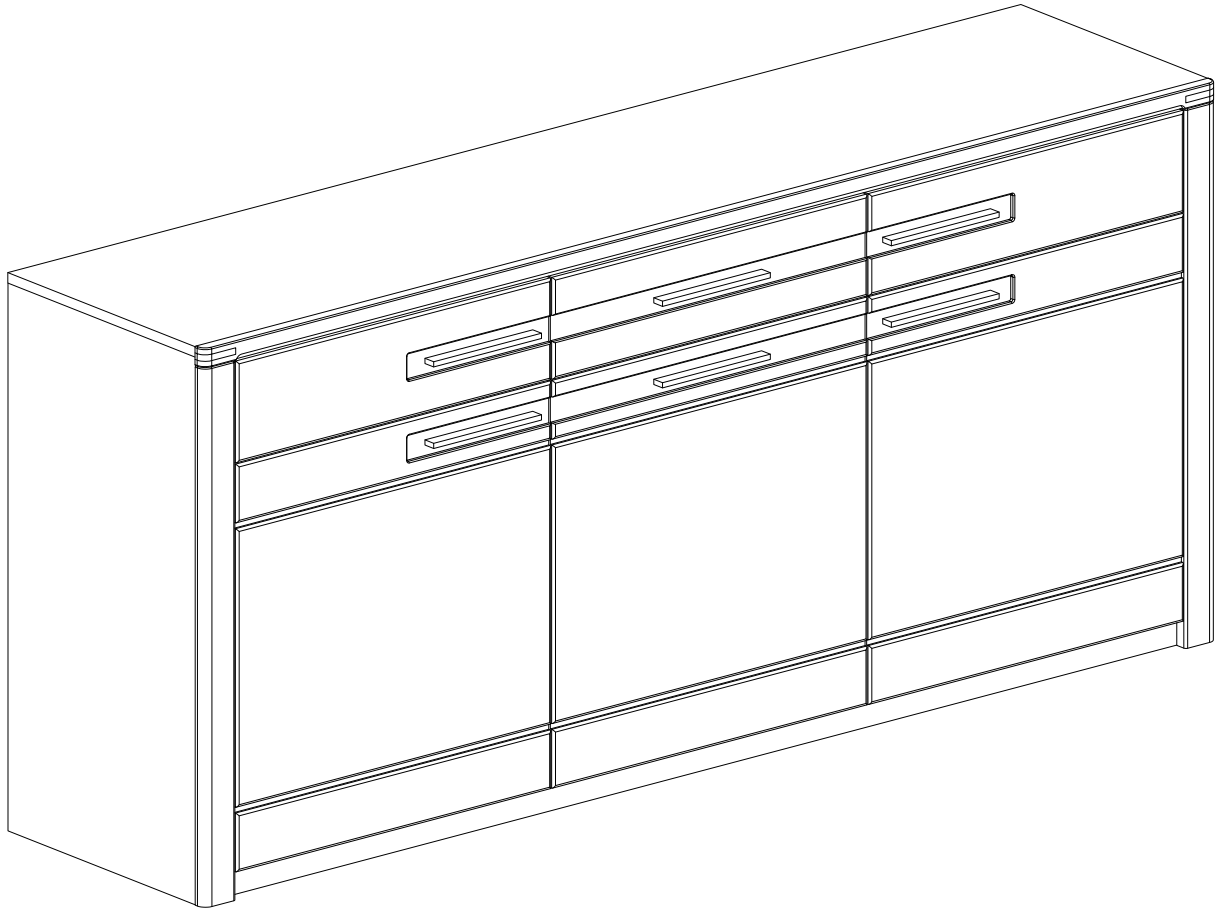
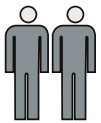
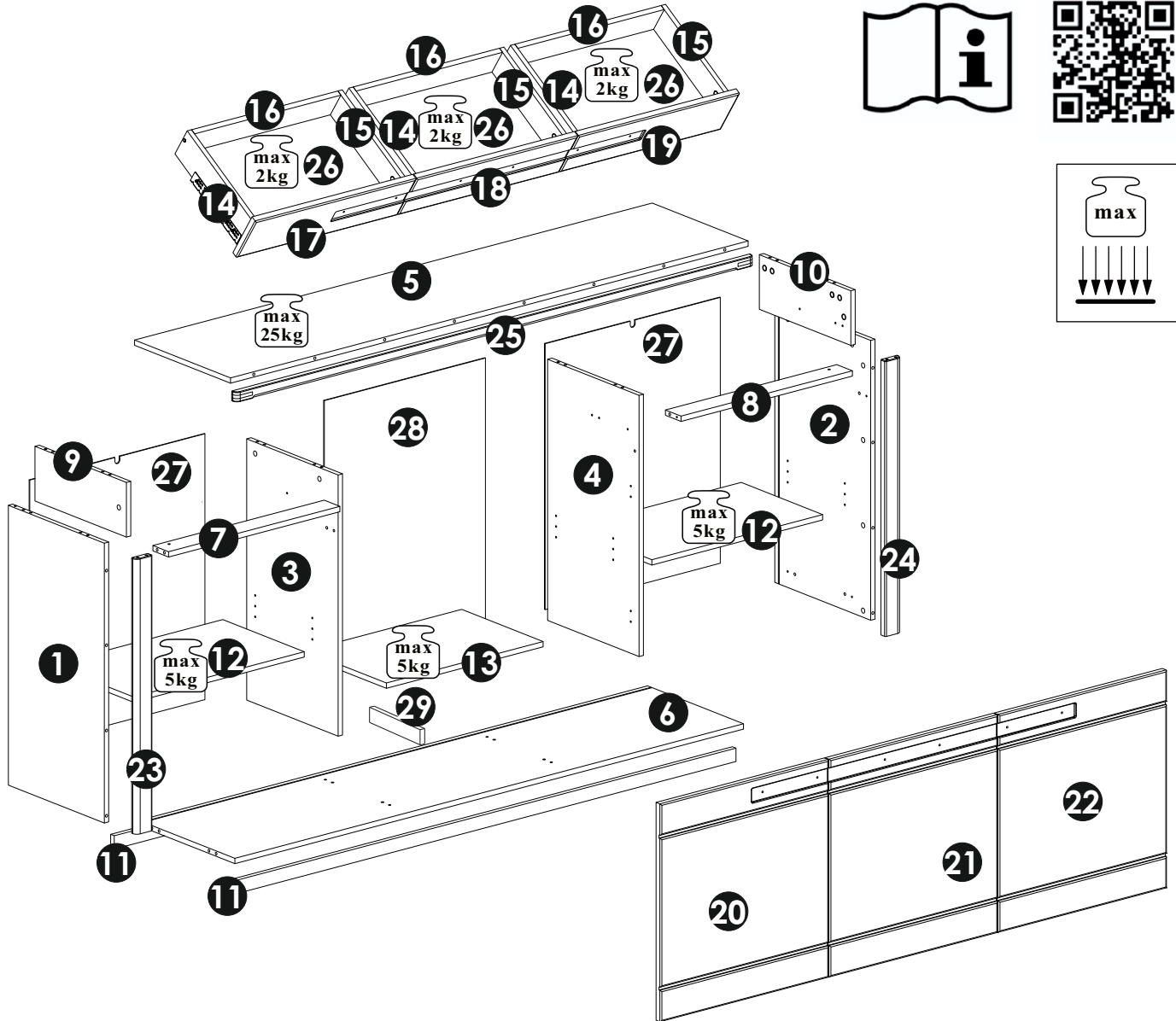
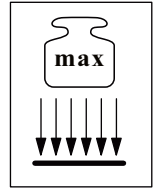


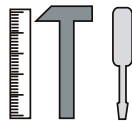
Nature One 12 18 FF 20



Nature One 12 18 FF 20



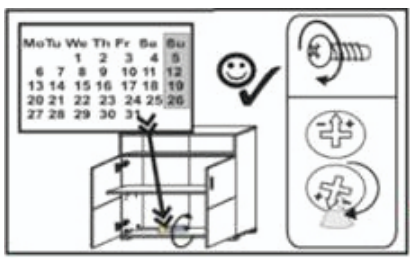
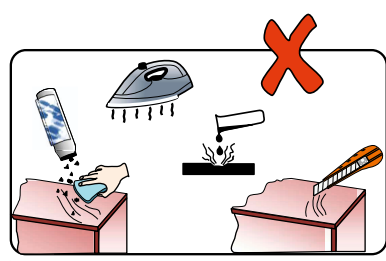
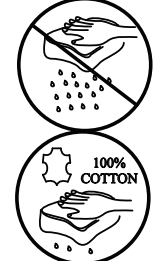
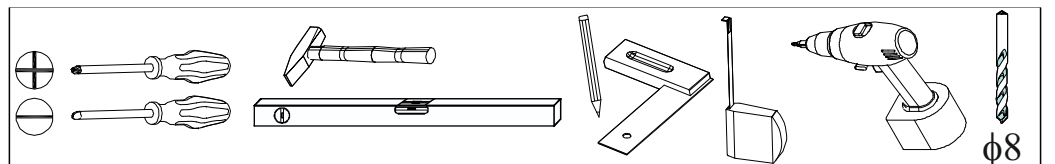
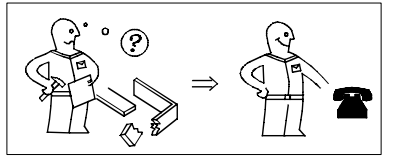
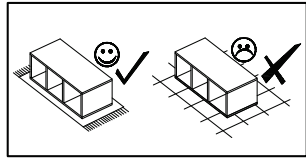
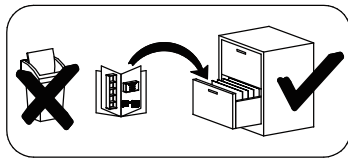
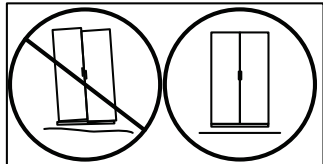
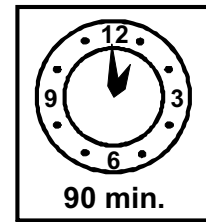
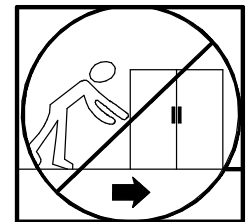
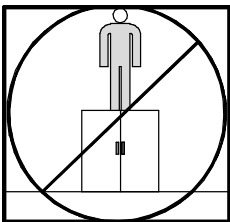
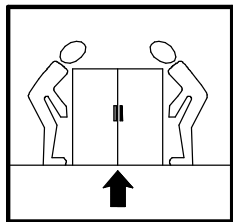
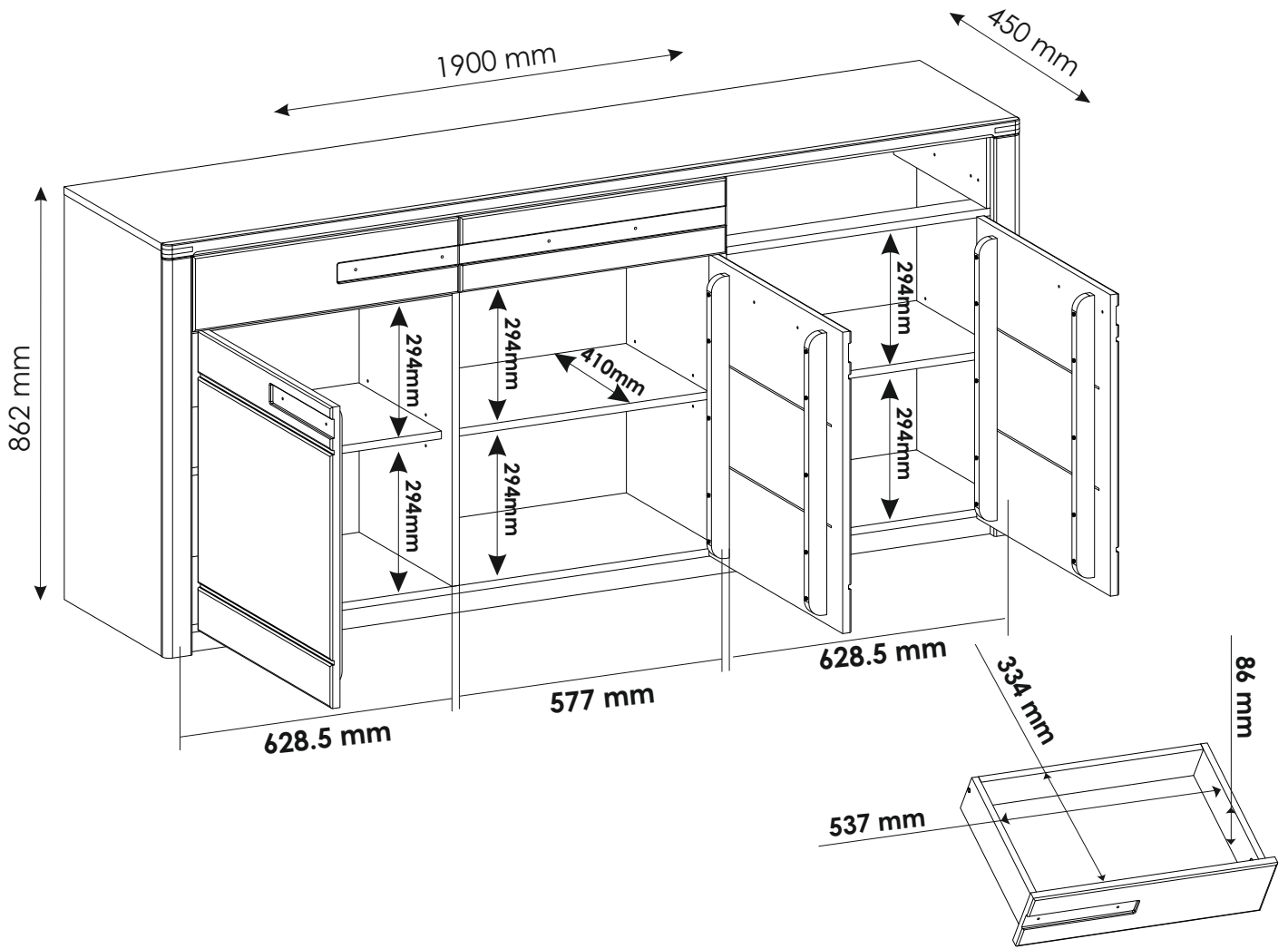
135 min

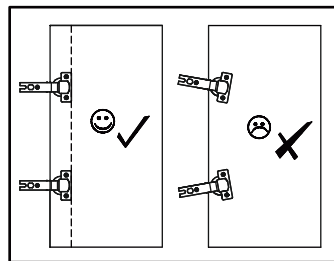
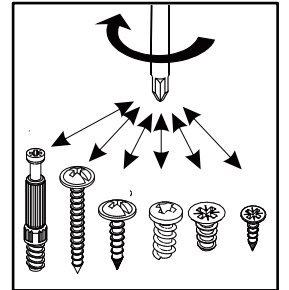
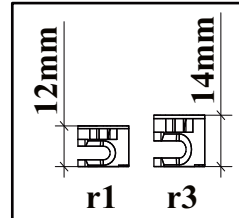
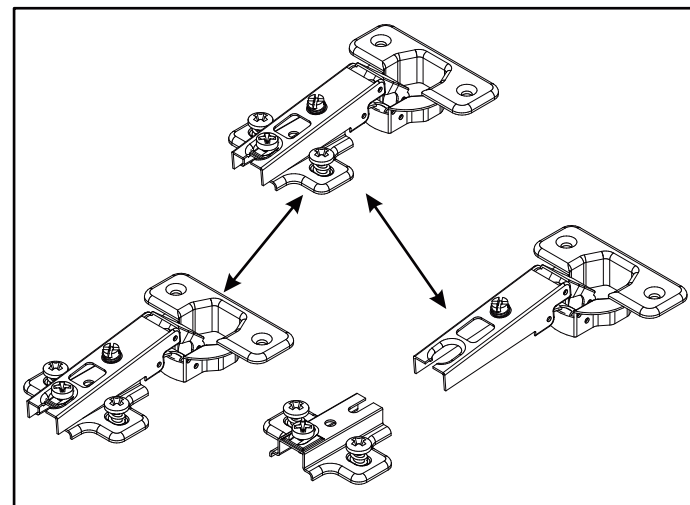
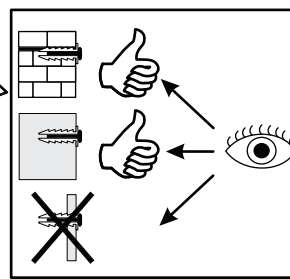
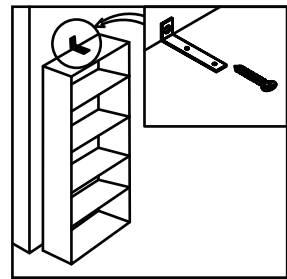
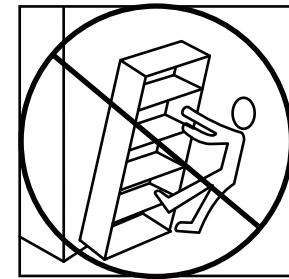
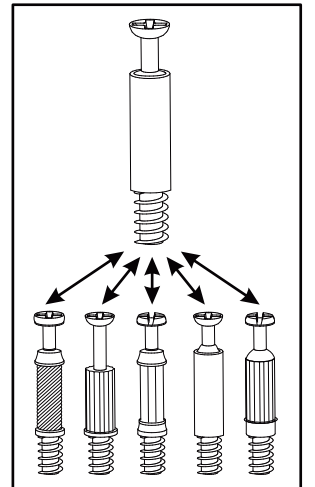
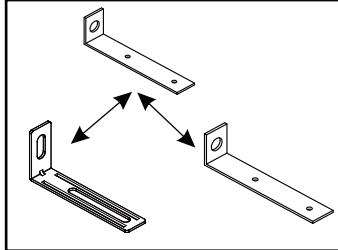
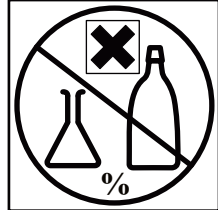
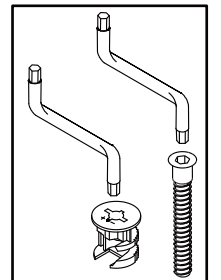
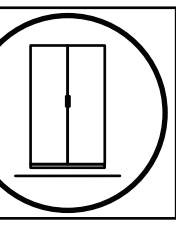
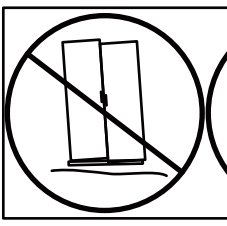
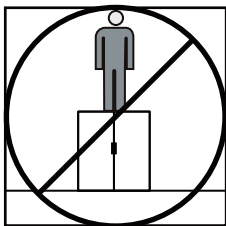
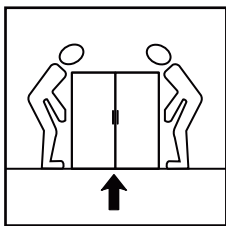
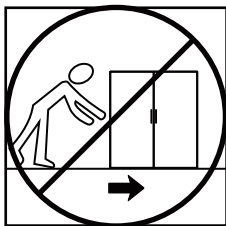
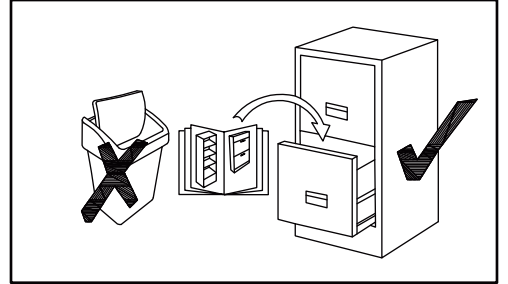
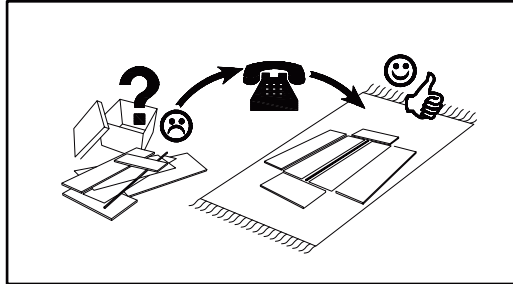
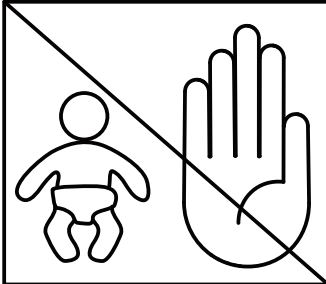
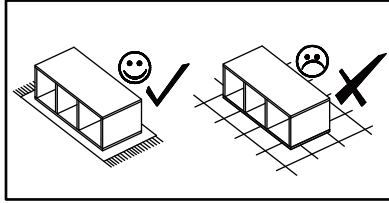
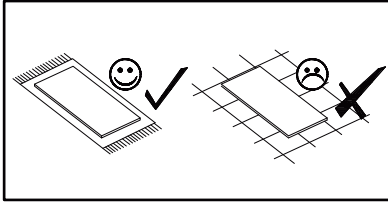
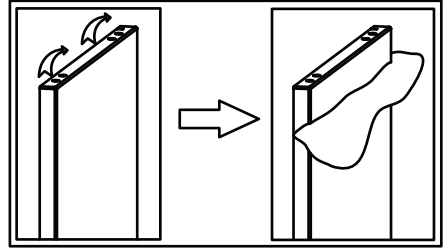


NO	Dim.(mm)			Col.-No	Qty
1	840	430	16	2/3	1
2	840	430	16	2/3	1
3	784	410	16	2/3	1
4	784	410	16	2/3	1
5	1899	430	16	1/3	1
6	1866	430	16	1/3	1
7	628.5	70	16	1/3	1
8	628.5	70	16	1/3	1
9	410	164	16	1/3	1
10	410	164	16	1/3	1
11	1866	40	16	1/3	2
12	626.5	365	16	2/3	2
13	575	365	16	1/3	1

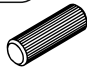
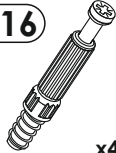



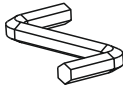


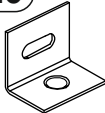
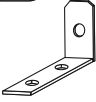
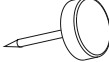




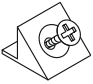
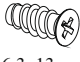
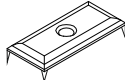
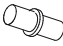
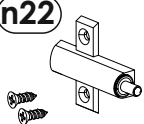
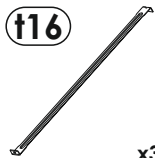
NO	Dim.(mm)			Col.-No	Qty
14	350	100	16	1/3	3
15	350	100	16	1/3	3
16	537	86	16	1/3	3
17	590	156	20	3/3	1
18	590	156	20	3/3	1
19	590	156	20	3/3	1
20	590	625	20	3/3	1
21	590	625	20	3/3	1
22	590	625	20	3/3	1
23	827	60	20	1/3	1
24	827	60	20	1/3	1
25	1901	30	20	1/3	1
26	547	353	3	2/3	3
27	798	642	3	2/3	2
28	798	591	3	2/3	1
29	396	40	16	1/3	1
A				2/3	1

Nature One 12 18 FF 20

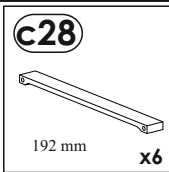




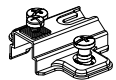


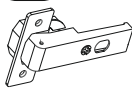
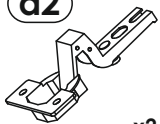
A1

<p>f1</p>  <p>φ8x30 mm x40</p>	<p>r16</p>  <p>x40</p>	<p>r1</p>  <p>x40</p>	<p>e1</p>  <p>φ6.5x50 mm x14</p>	<p>t17</p>  <p>φ8x50 mm x2</p>	<p>z1</p>  <p>x1</p>	<p>s1</p>  <p>x10</p>
<p>s2</p>  <p>x40</p>	<p>n6</p>  <p>x18</p>	<p>n14</p>  <p>x2</p>	<p>k1</p>  <p>x8</p>	<p>p4</p>  <p>φ3.5x16 mm x26</p>	<p>p1</p>  <p>φ3.5x13 mm x52</p>	<p>j2</p>  <p>M4x20 mm x12</p>
<p>o21</p>  <p>x9</p>	<p>l2</p>  <p>x22</p>	<p>e3</p>  <p>φ6.3x13 mm x18</p>	<p>l9</p>  <p>x8</p>	<p>d1</p>  <p>φ5x17 mm x12</p>	<p>n22</p>  <p>x3</p>	<p>t16</p>  <p>x3</p>

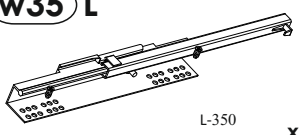
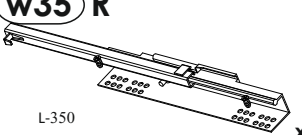
A2



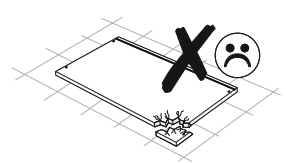
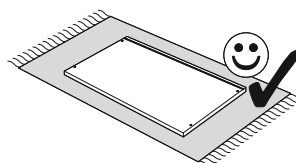
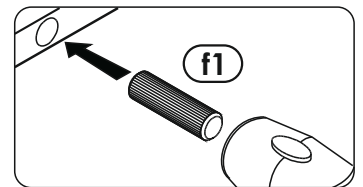
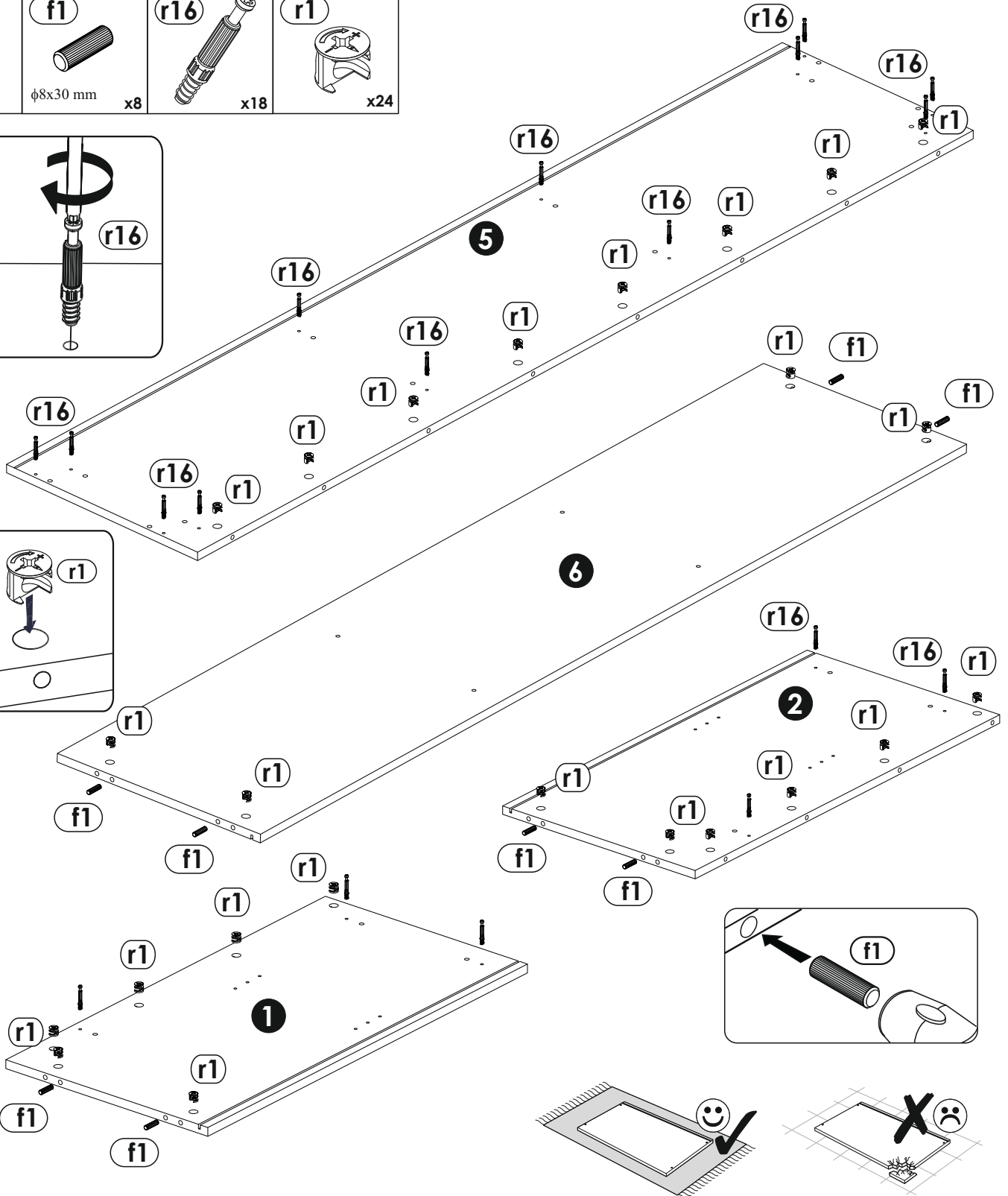
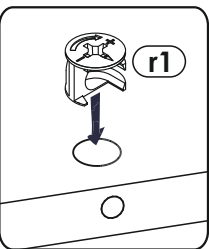
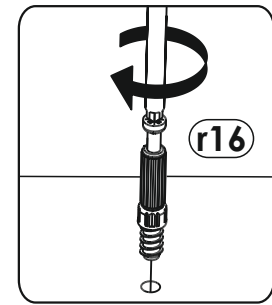
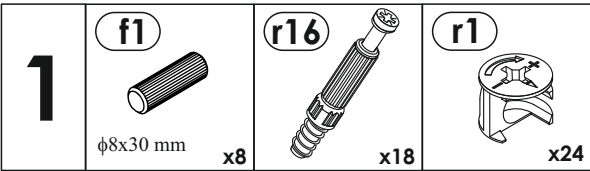
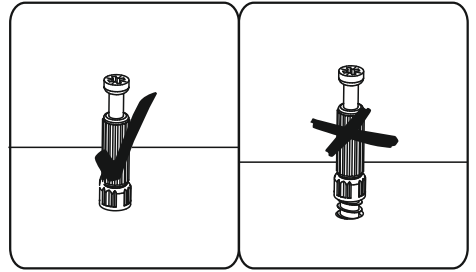
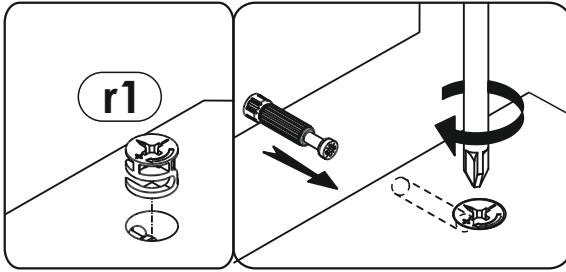
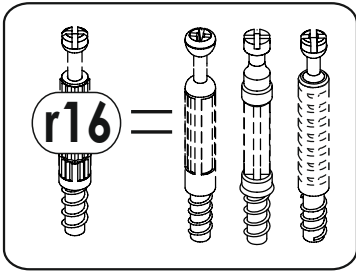
A3

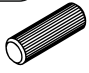

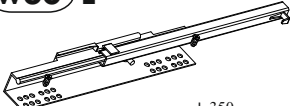
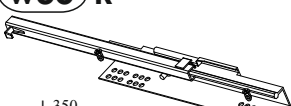
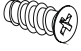
<p>b6</p>  <p>x4</p>	<p>b2</p>  <p>x2</p>	<p>e2</p>  <p>φ6.3x13 mm x12</p>
<p>a6</p>  <p>φ35 mm x4</p>	<p>a2</p>  <p>x2</p>	

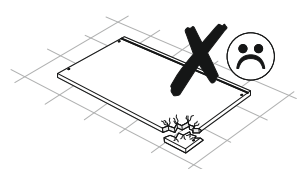
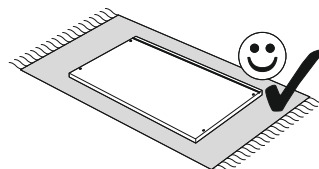
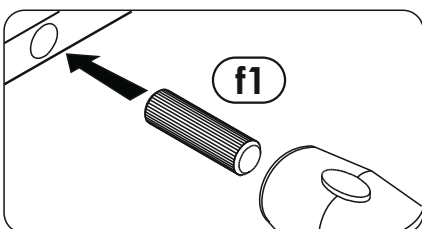
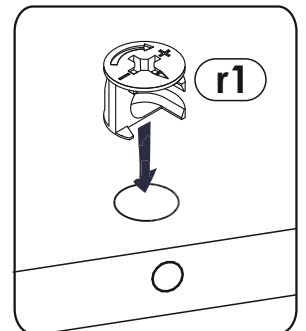
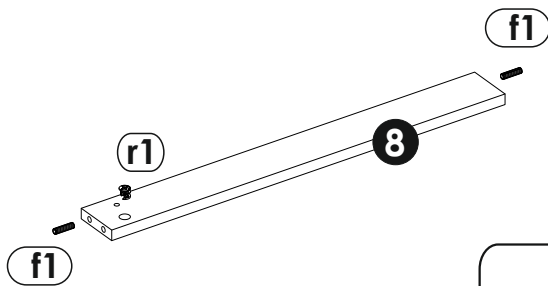
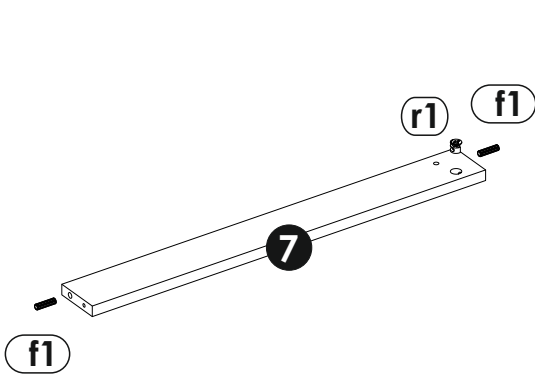
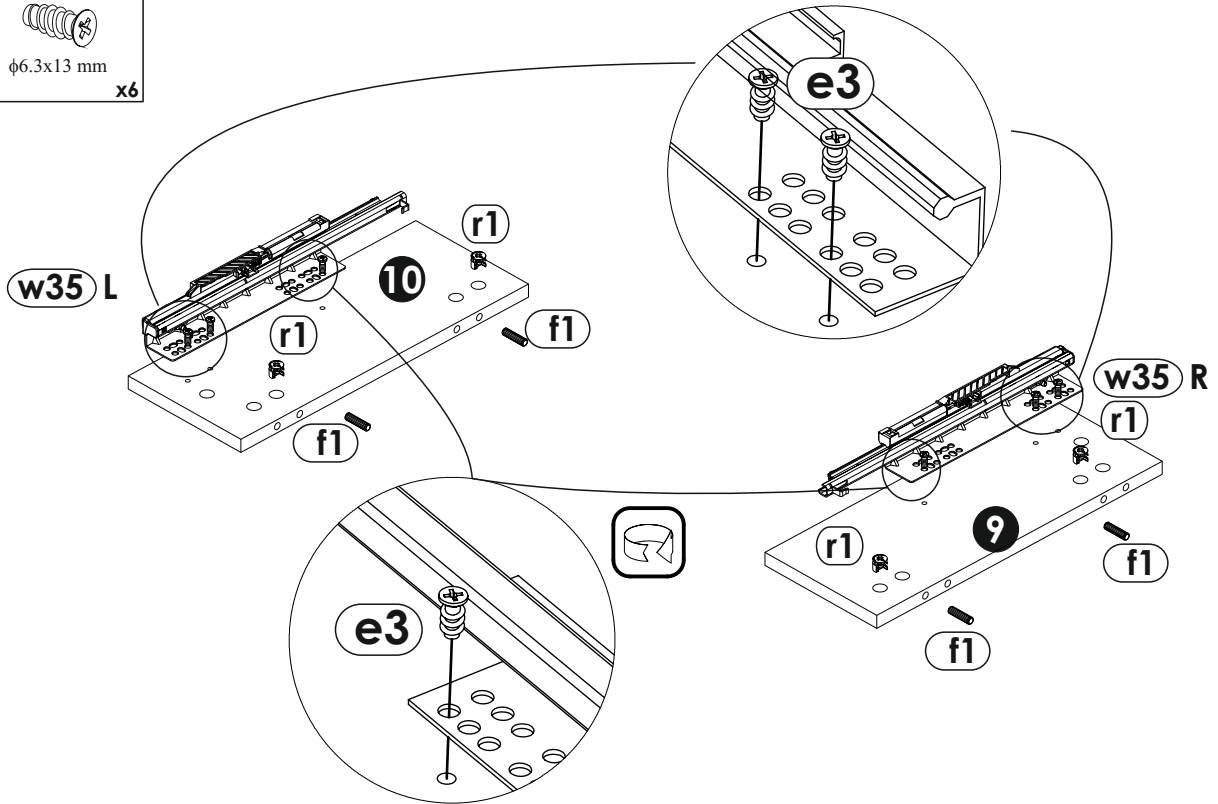
A4

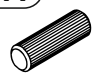

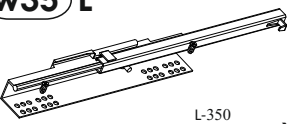
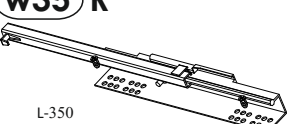
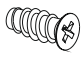
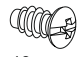

<p>w35 L</p>  <p>L-350 x3</p>	<p>w35 R</p>  <p>L-350 x3</p>
---	---

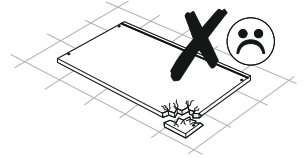
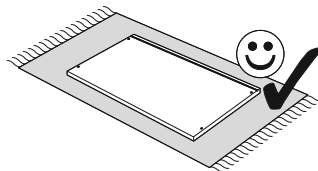
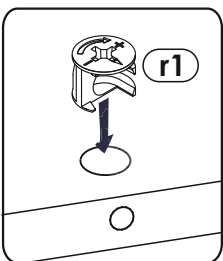
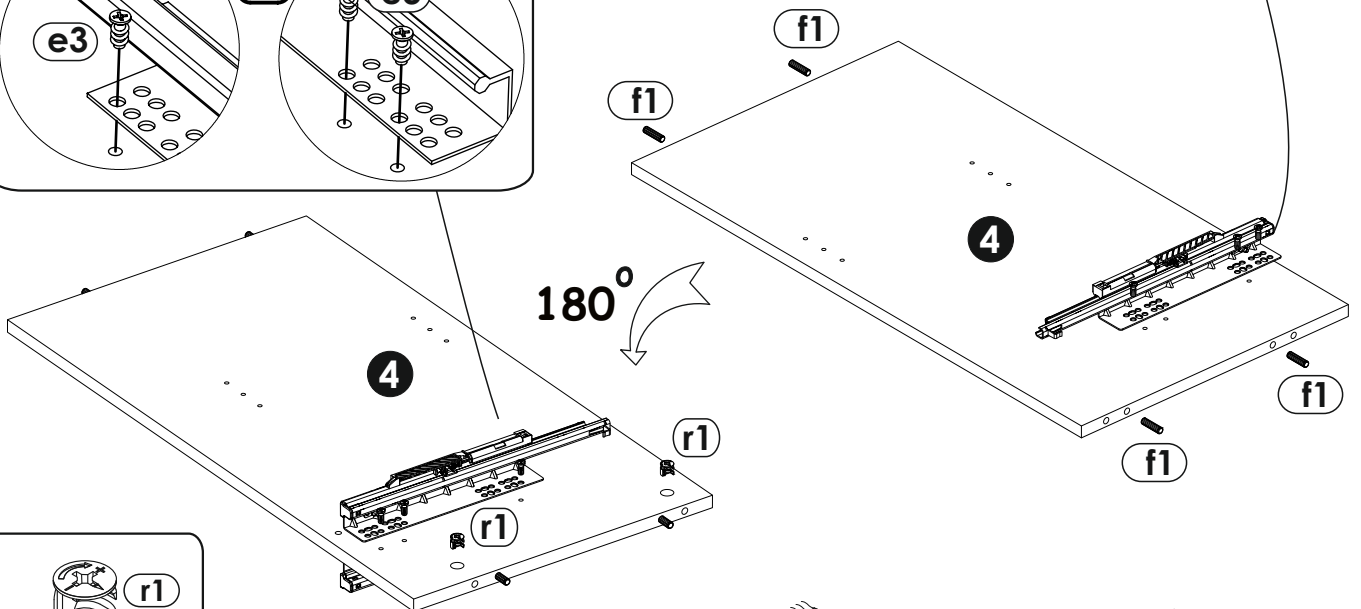
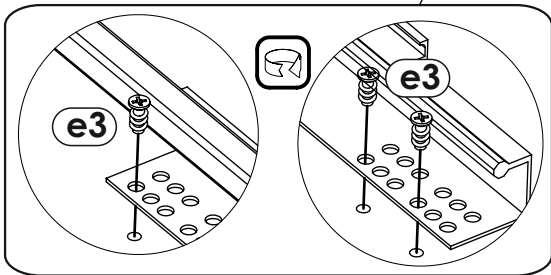
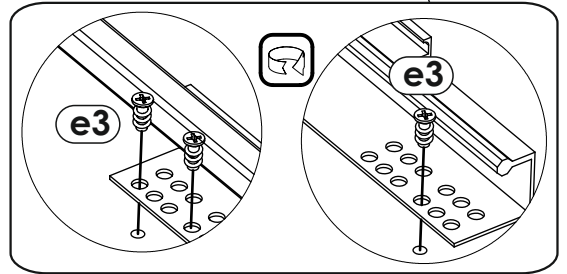
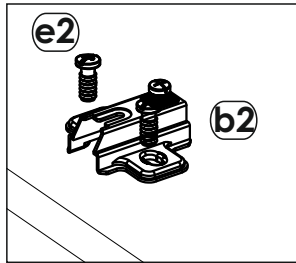
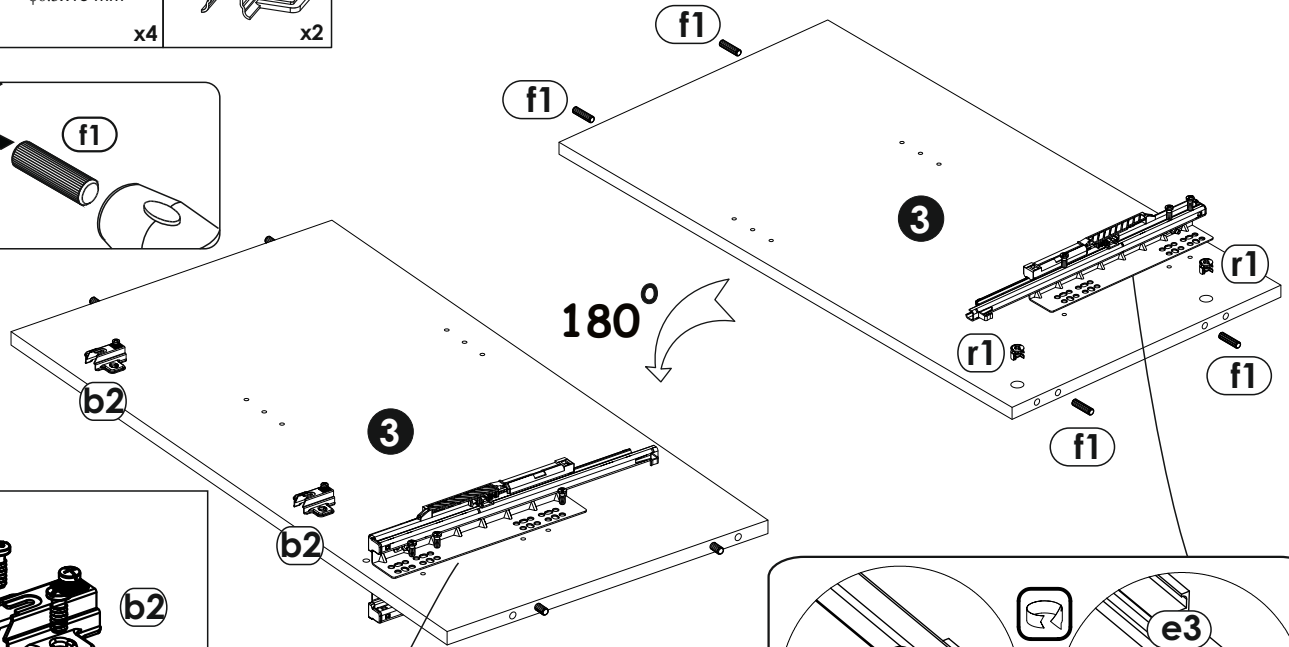
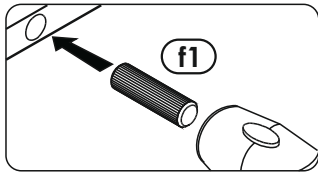




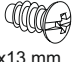
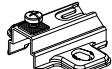
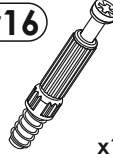
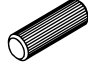
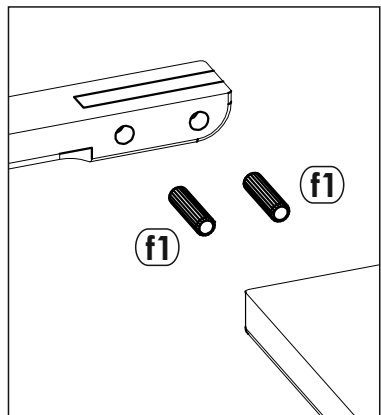
2	f1  φ8x30 mm x8	r1  x6	w35 L  L-350 x1	w35 R  L-350 x1
	e3  φ6.3x13 mm x6			

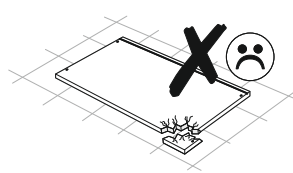
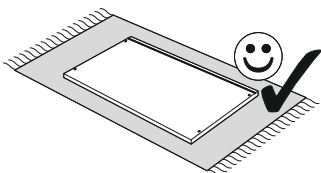
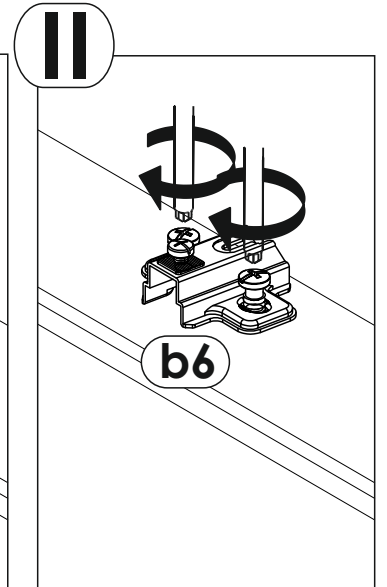
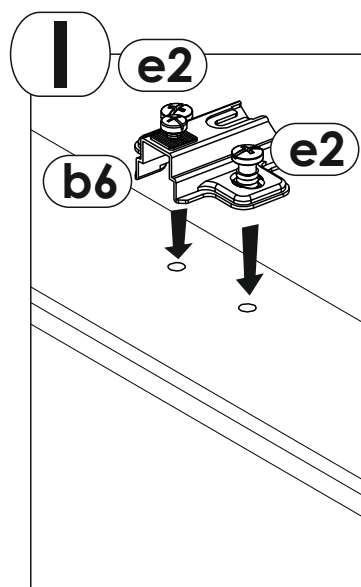
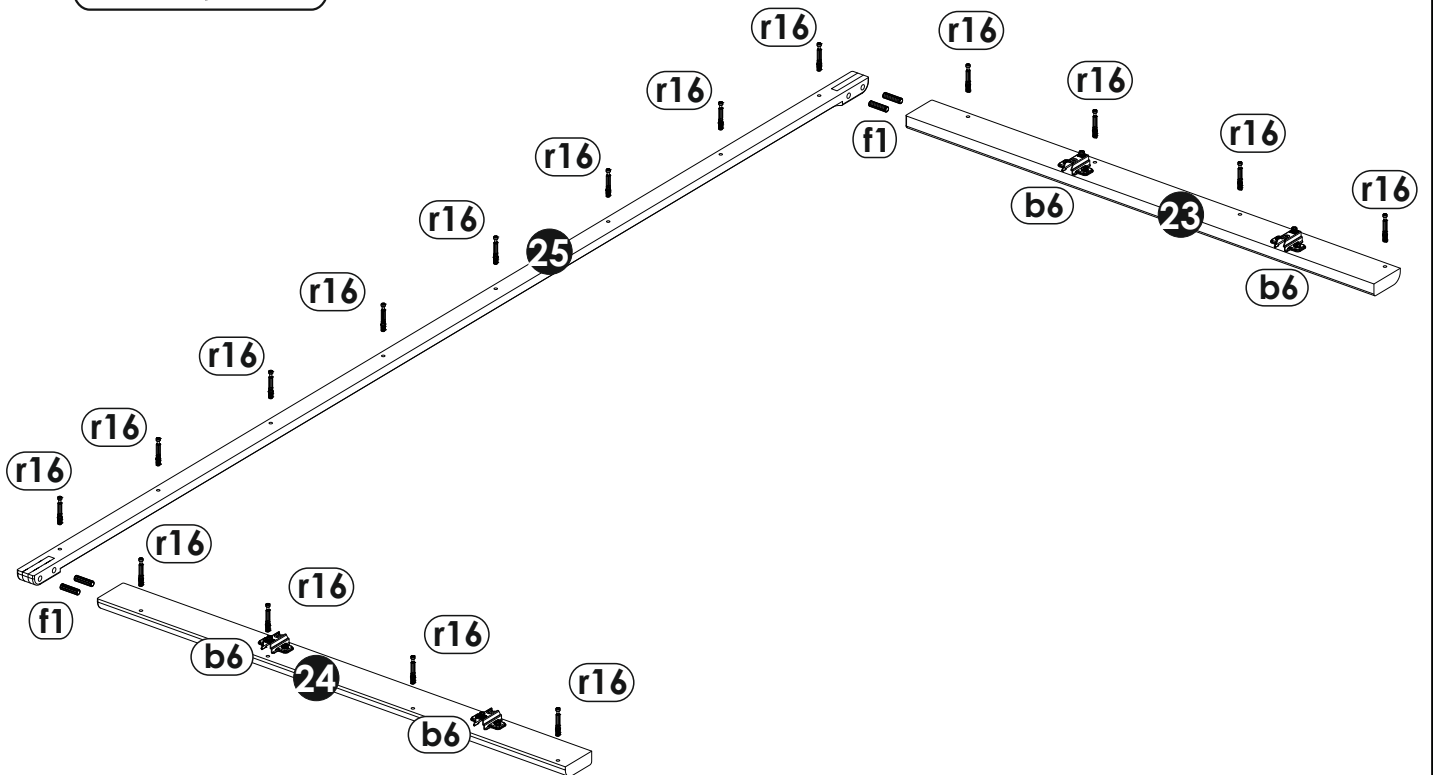
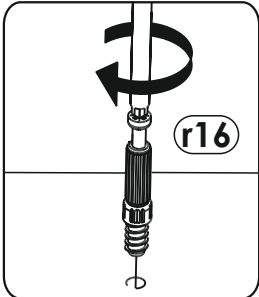



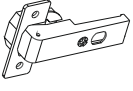
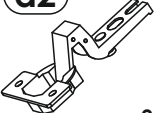
<p>3</p>	<p>f1</p>  <p>φ8x30 mm x8</p>	<p>r1</p>  <p>x4</p>	<p>w35 L</p>  <p>L-350 x2</p>	<p>w35 R</p>  <p>L-350 x2</p>	<p>e3</p>  <p>φ6.3x13 mm x12</p>
	<p>e2</p>  <p>φ6.3x13 mm x4</p>	<p>b2</p>  <p>x2</p>			

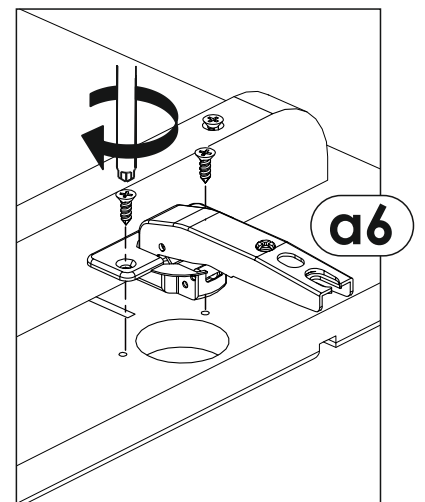
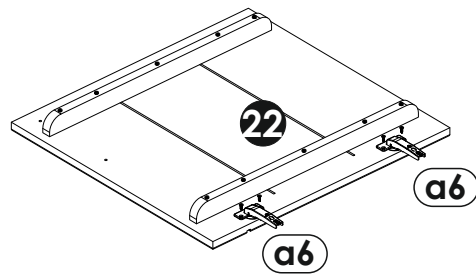
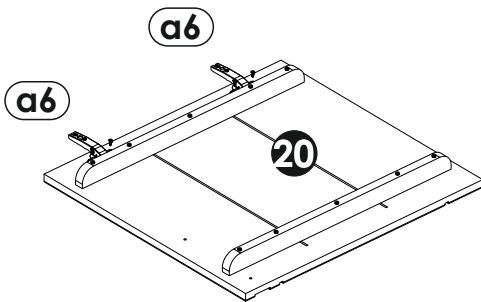
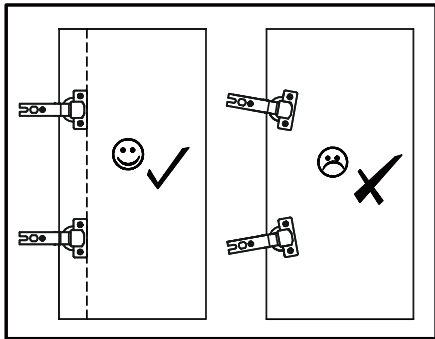
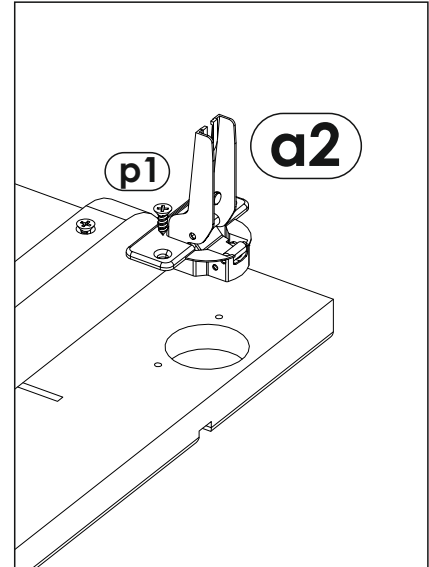
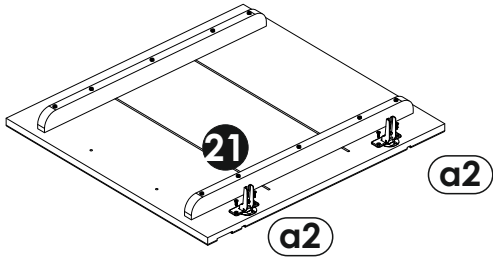
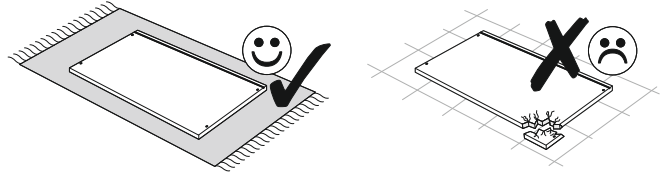


Nature One 12 18 FF 20

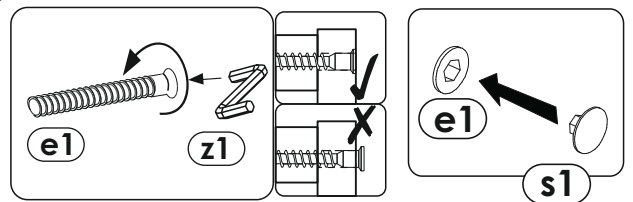
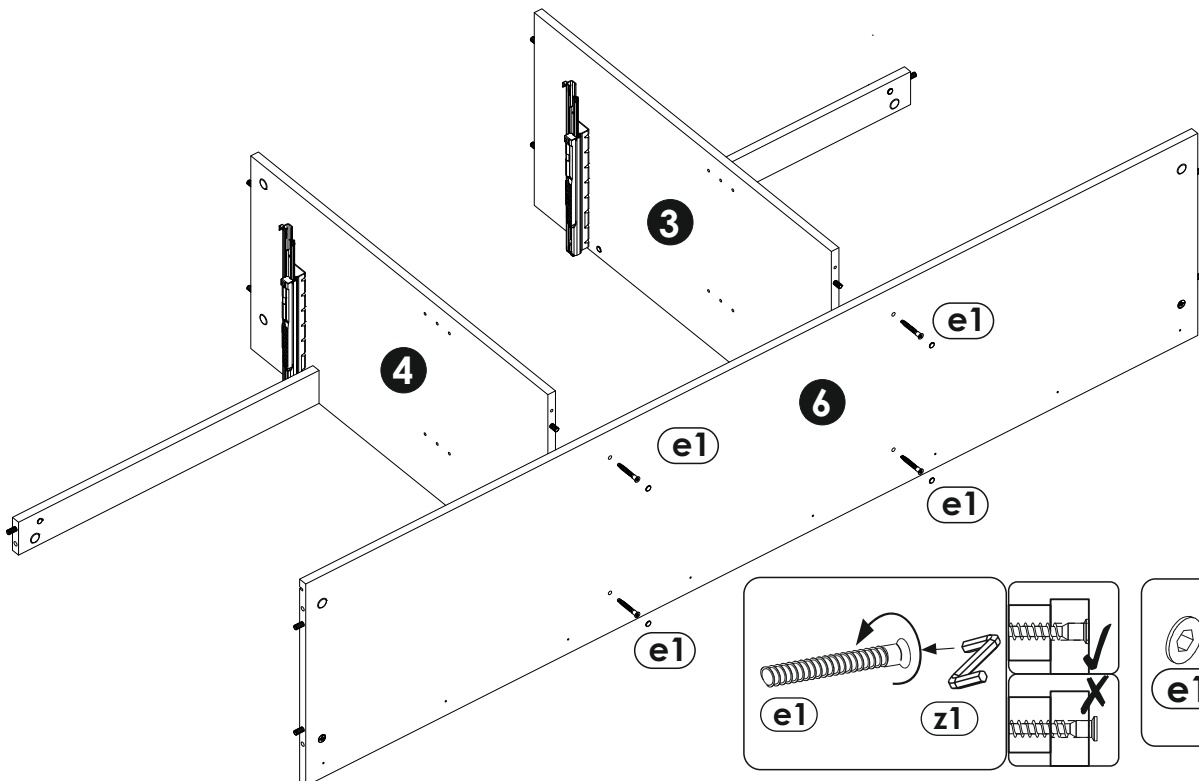
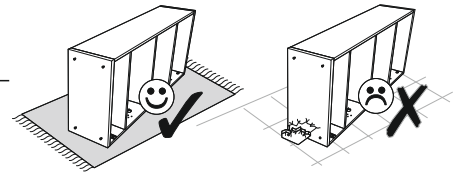
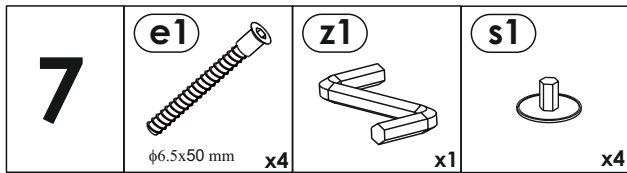
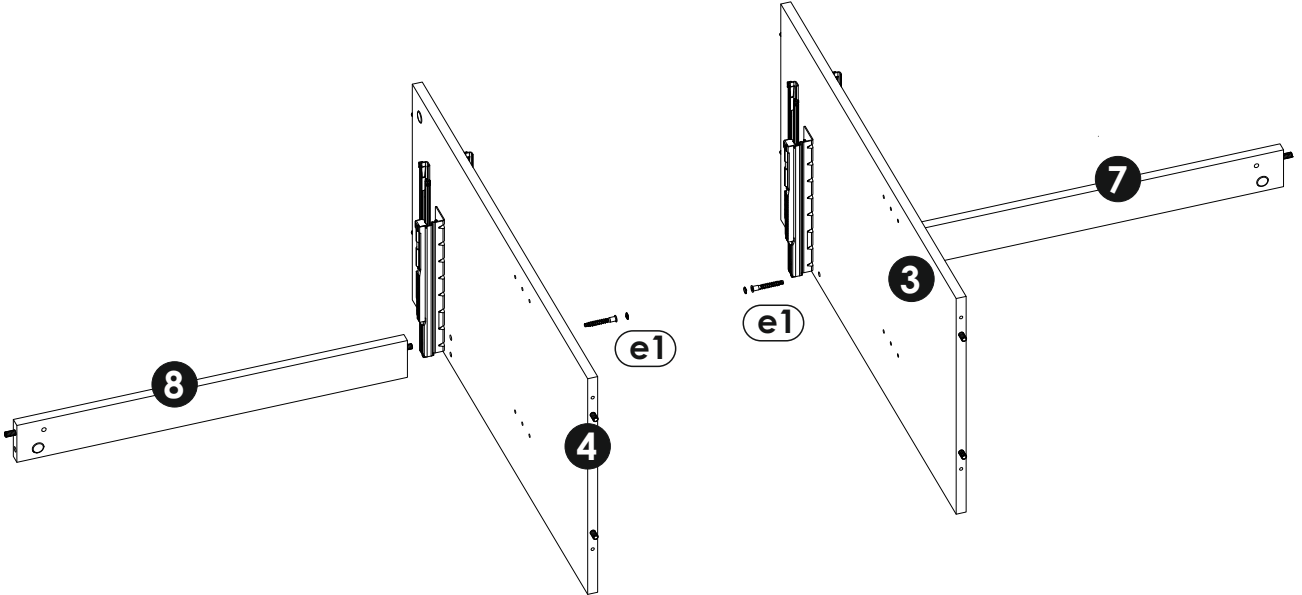
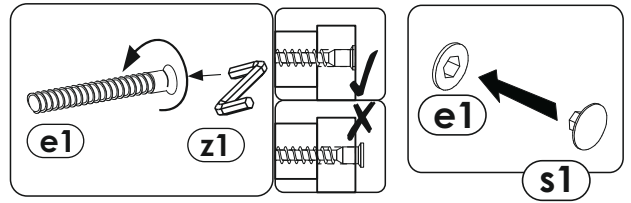
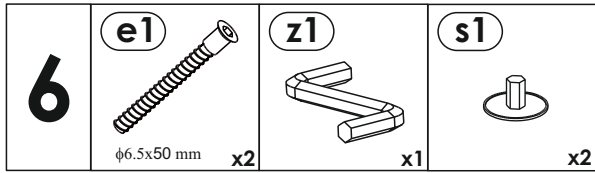
4	e2  φ6.3x13 mm x8	b6  x4	r16  x16	f1  φ8x30 mm x4
				



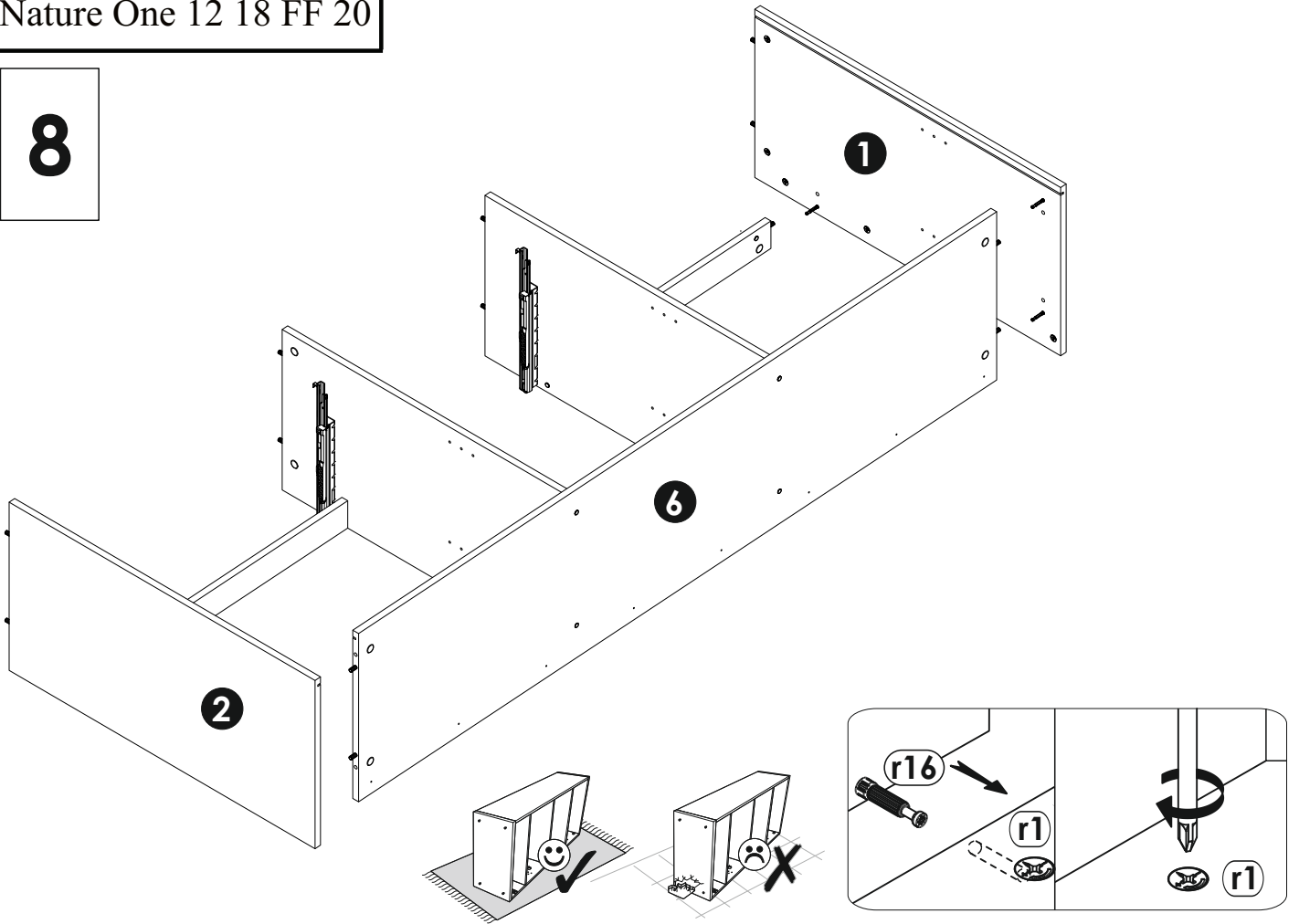
5	<p>p1</p>  <p>φ3.5x13 mm x12</p>	<p>a6</p>  <p>x4</p>	<p>a2</p>  <p>x2</p>
----------	--	--	--



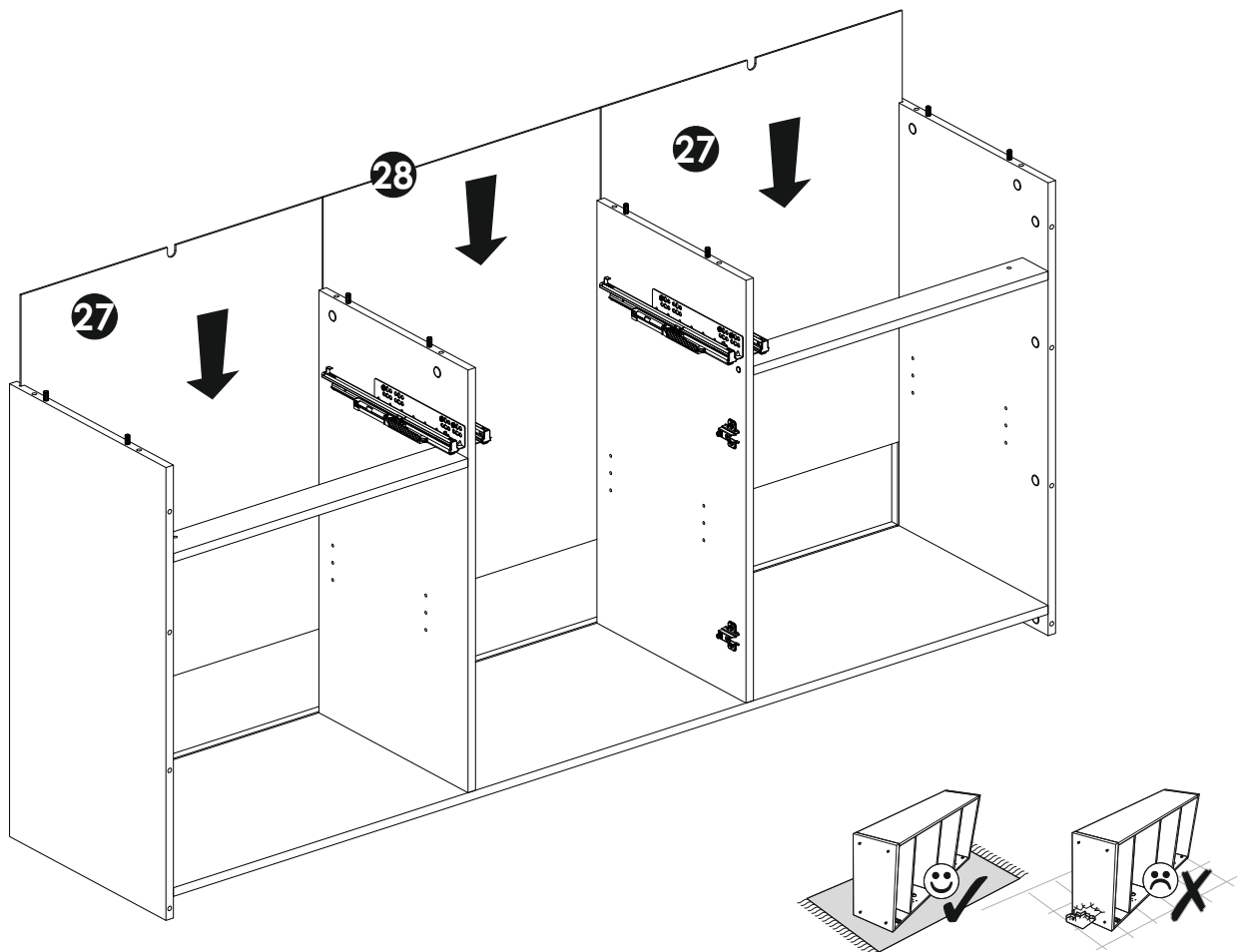
Nature One 12 18 FF 20



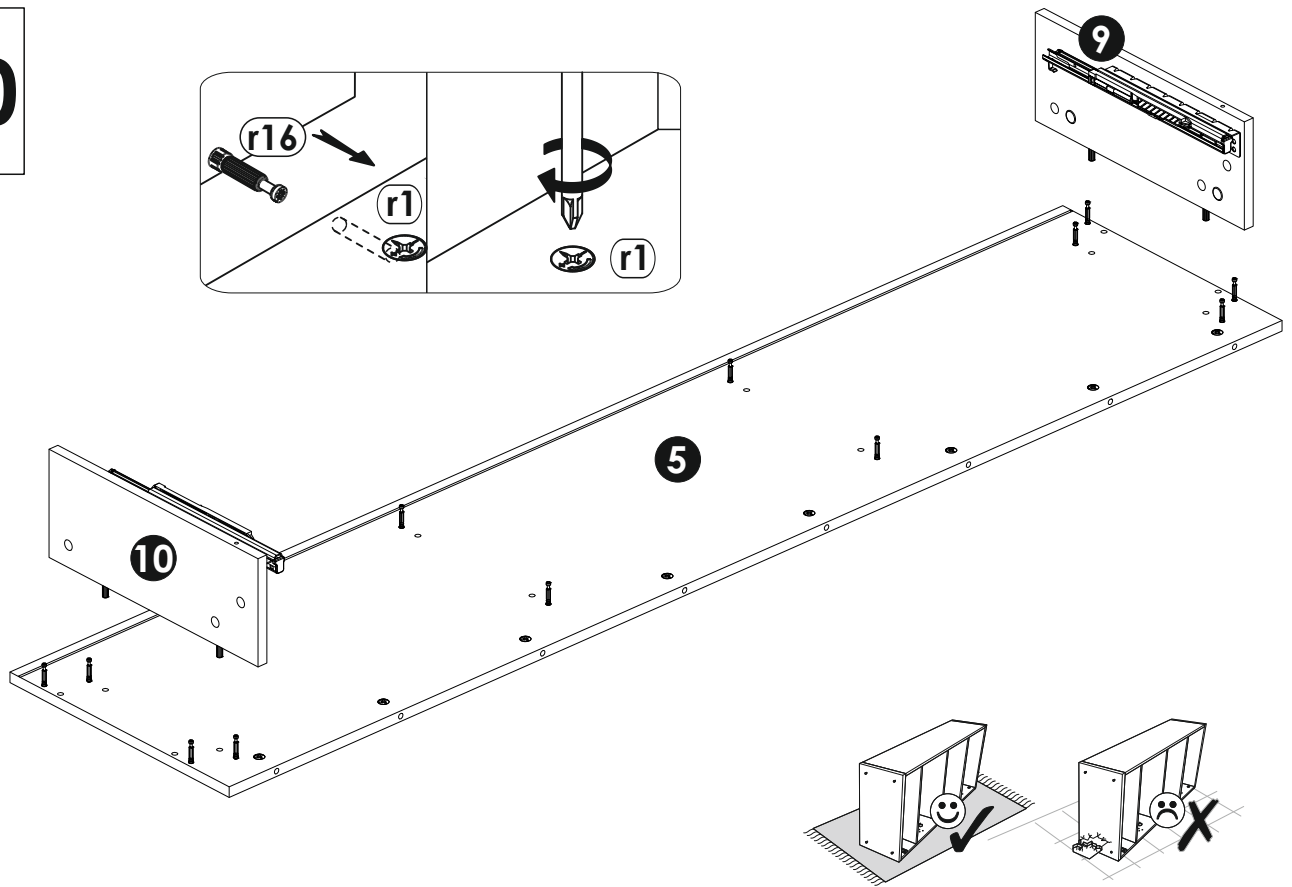
8



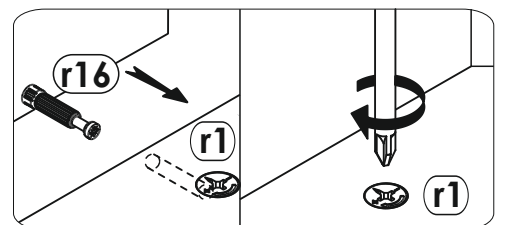
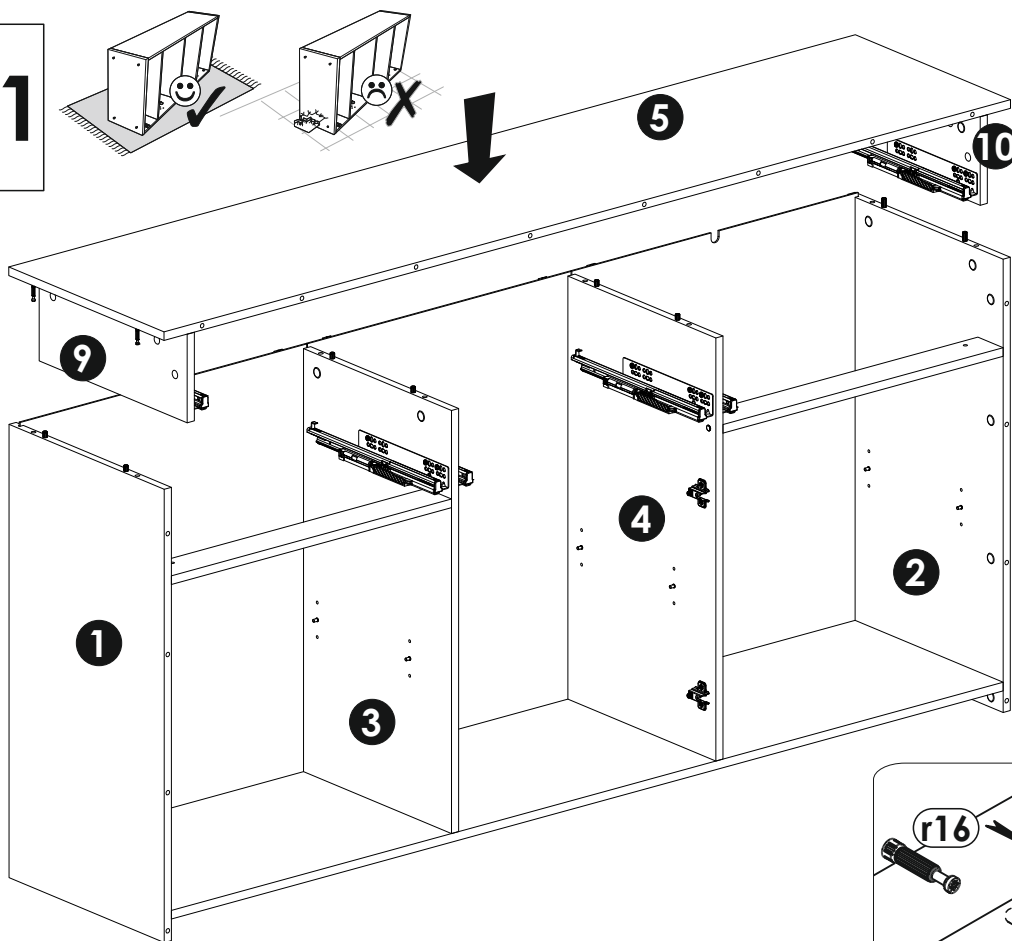
9

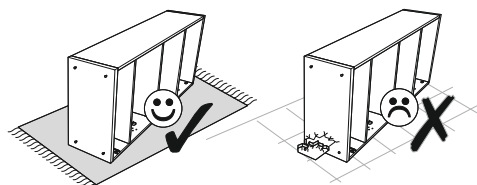
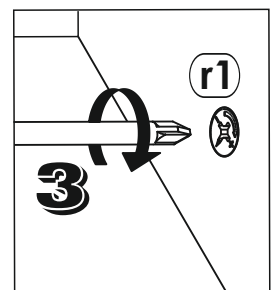
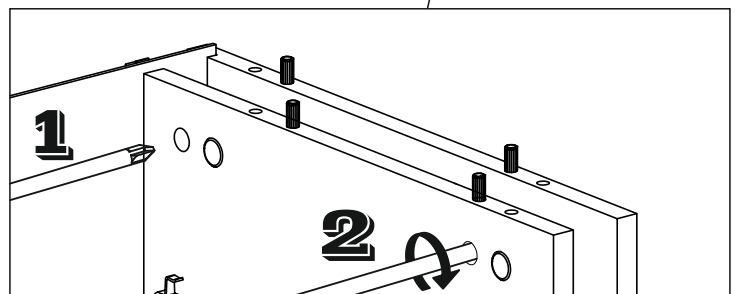
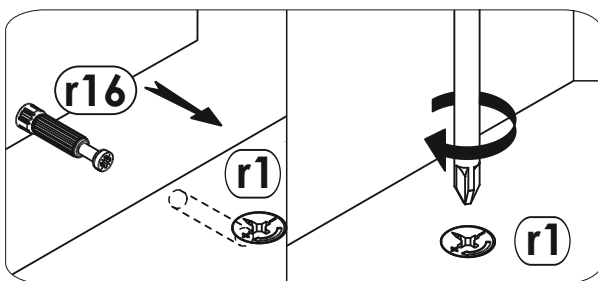
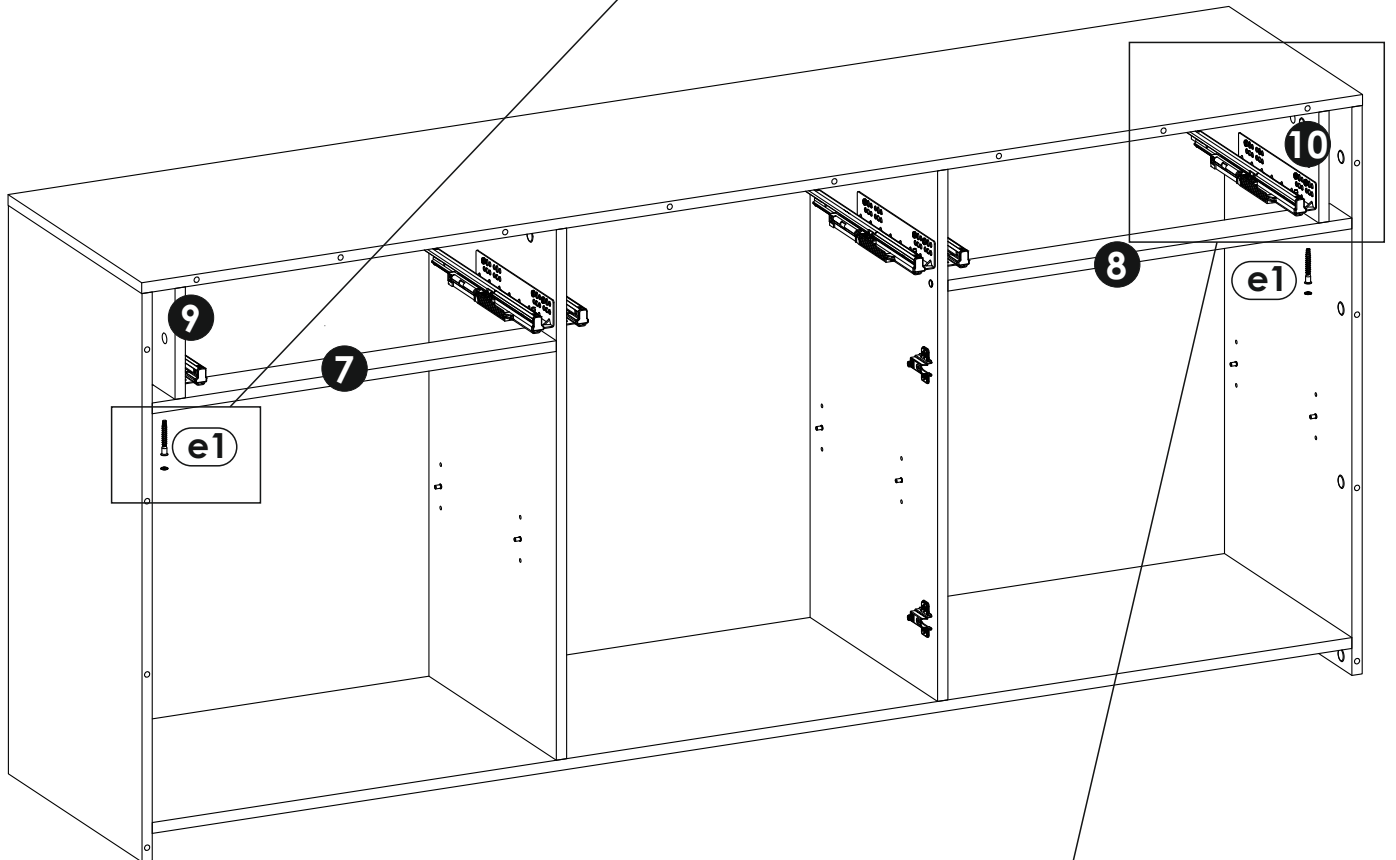
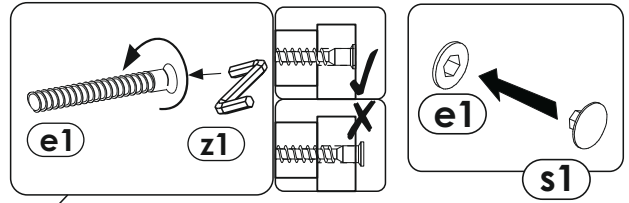
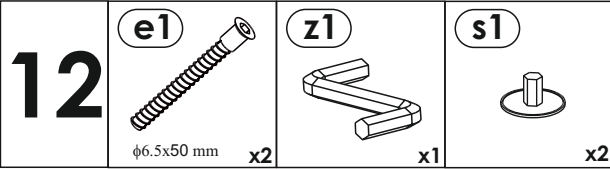


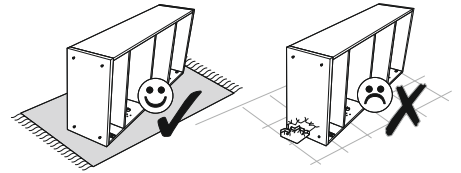
10



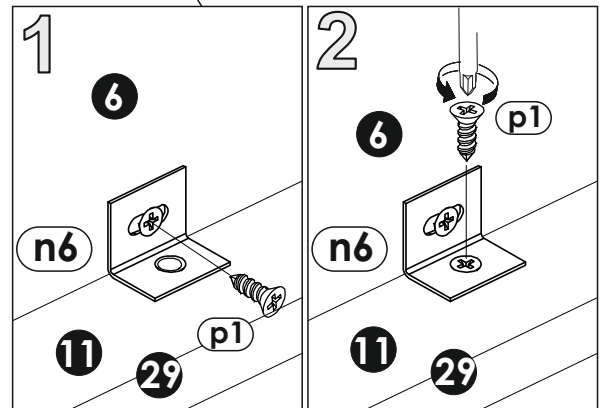
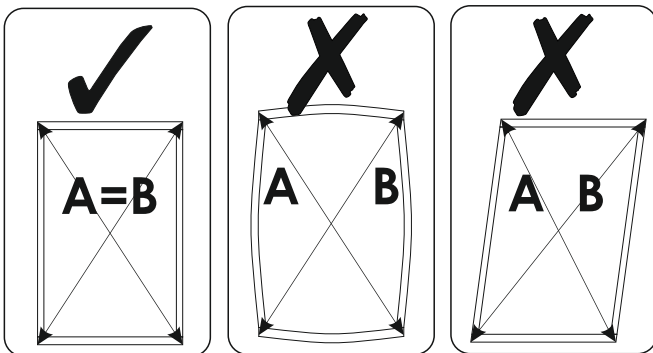
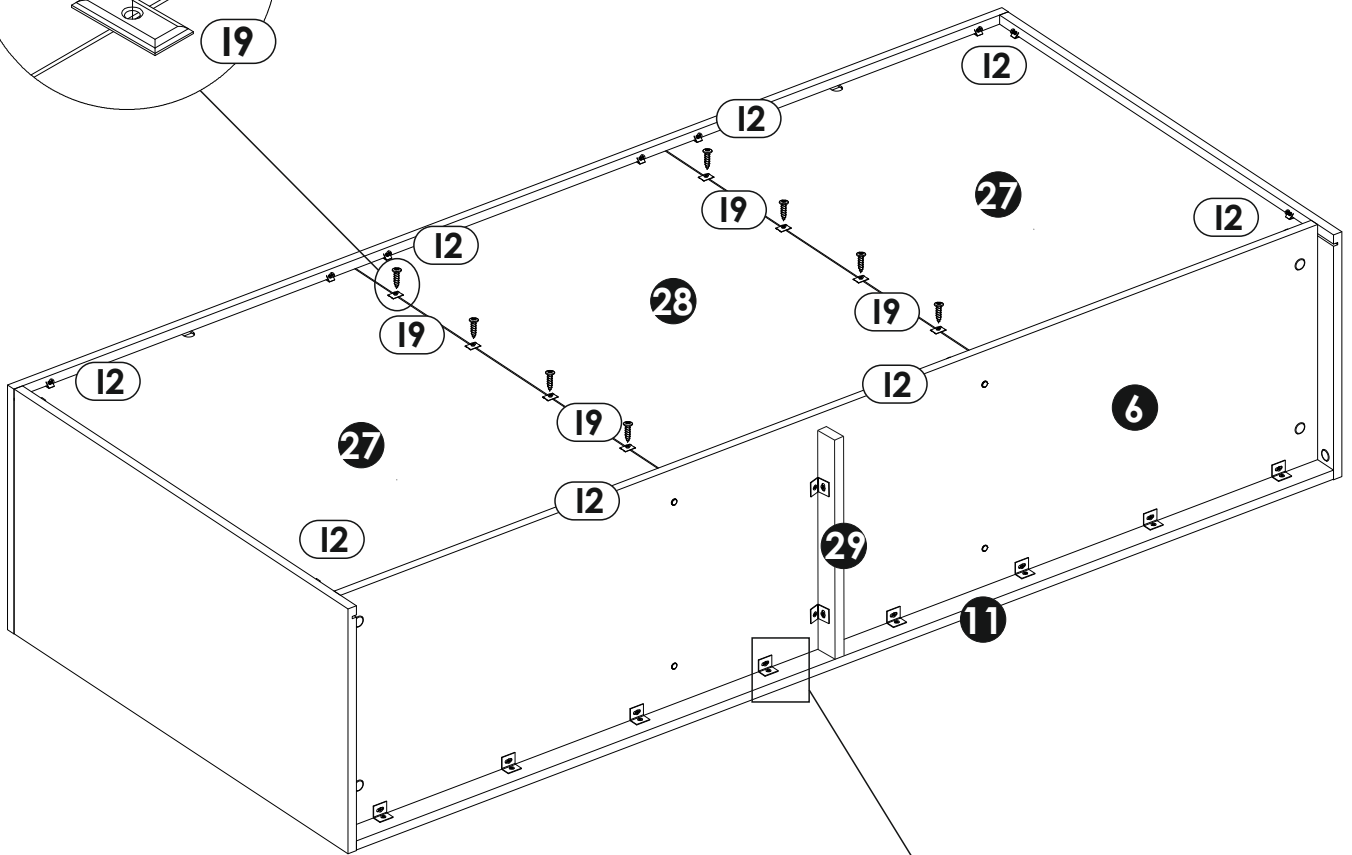
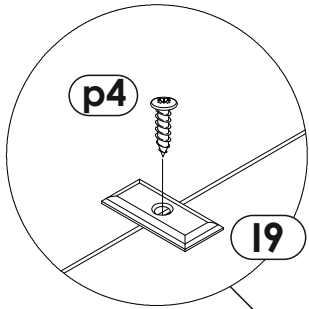
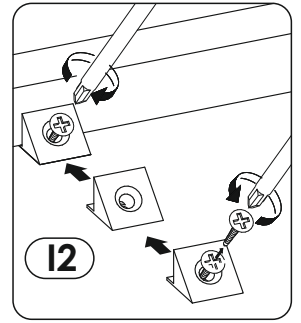
11

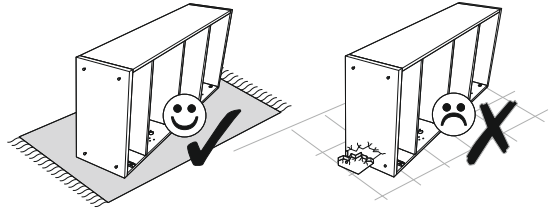



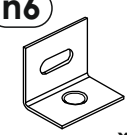



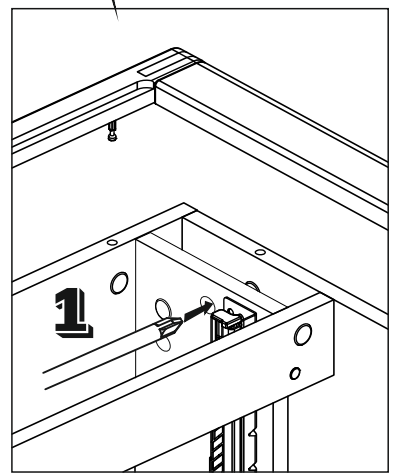
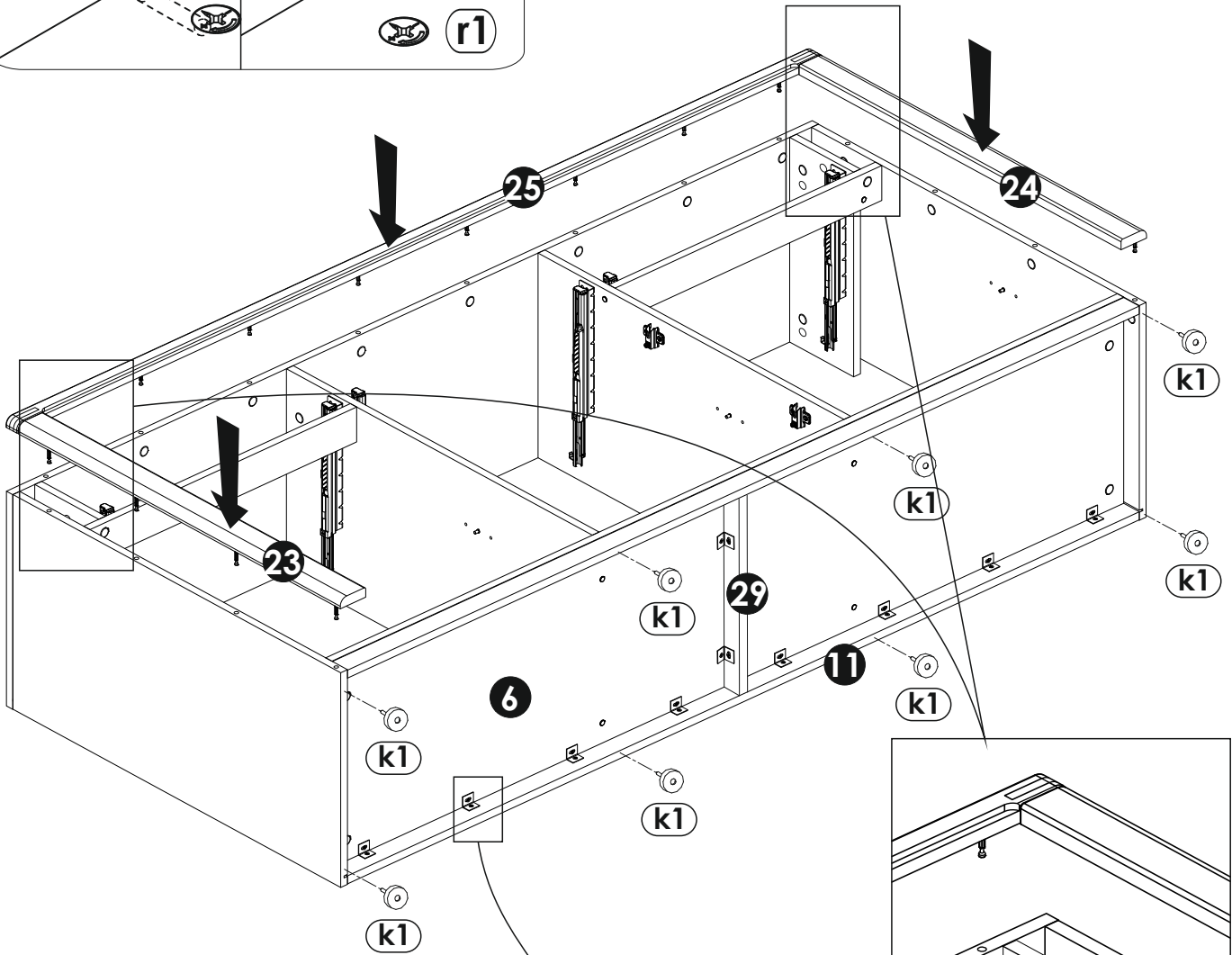
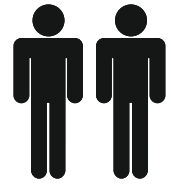
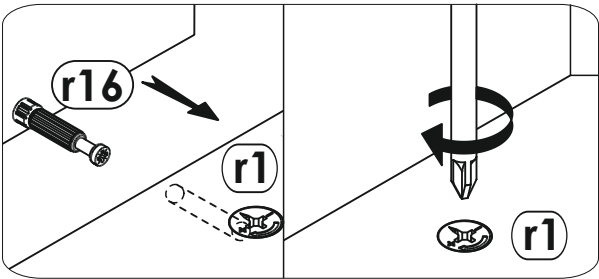


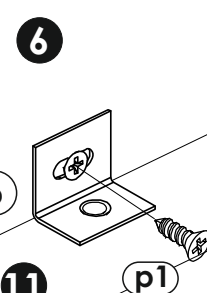
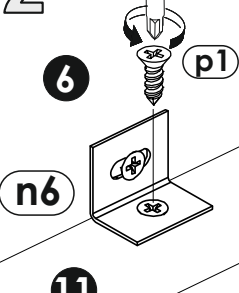
13	(I2) x16	(p1) φ3.5x13 mm x20	(n6) x10
	(p4) φ3.5x16 mm x8	(I9) x8	

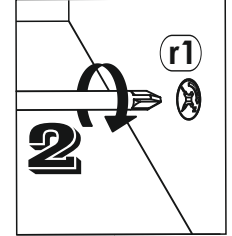
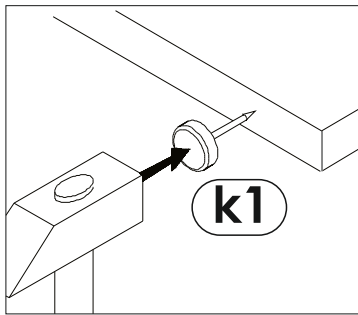




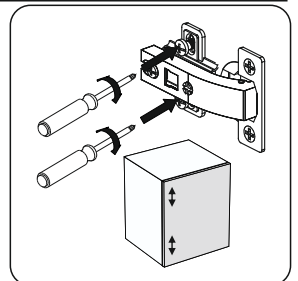
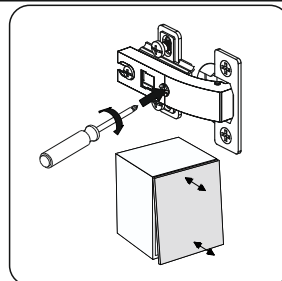
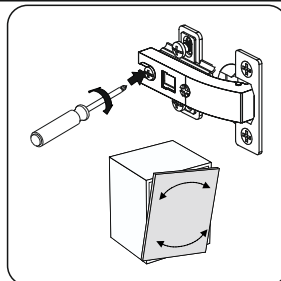
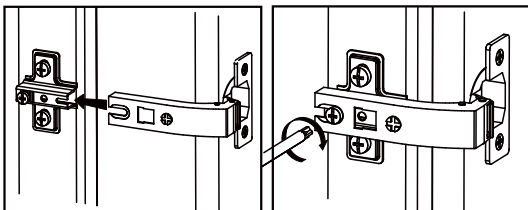
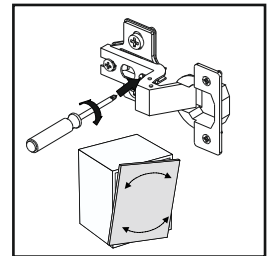
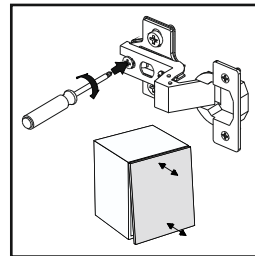
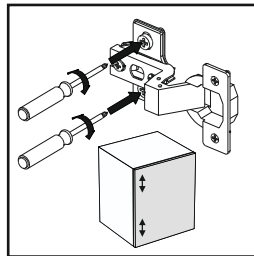
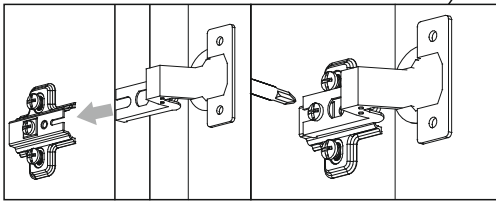
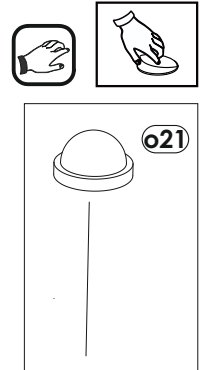
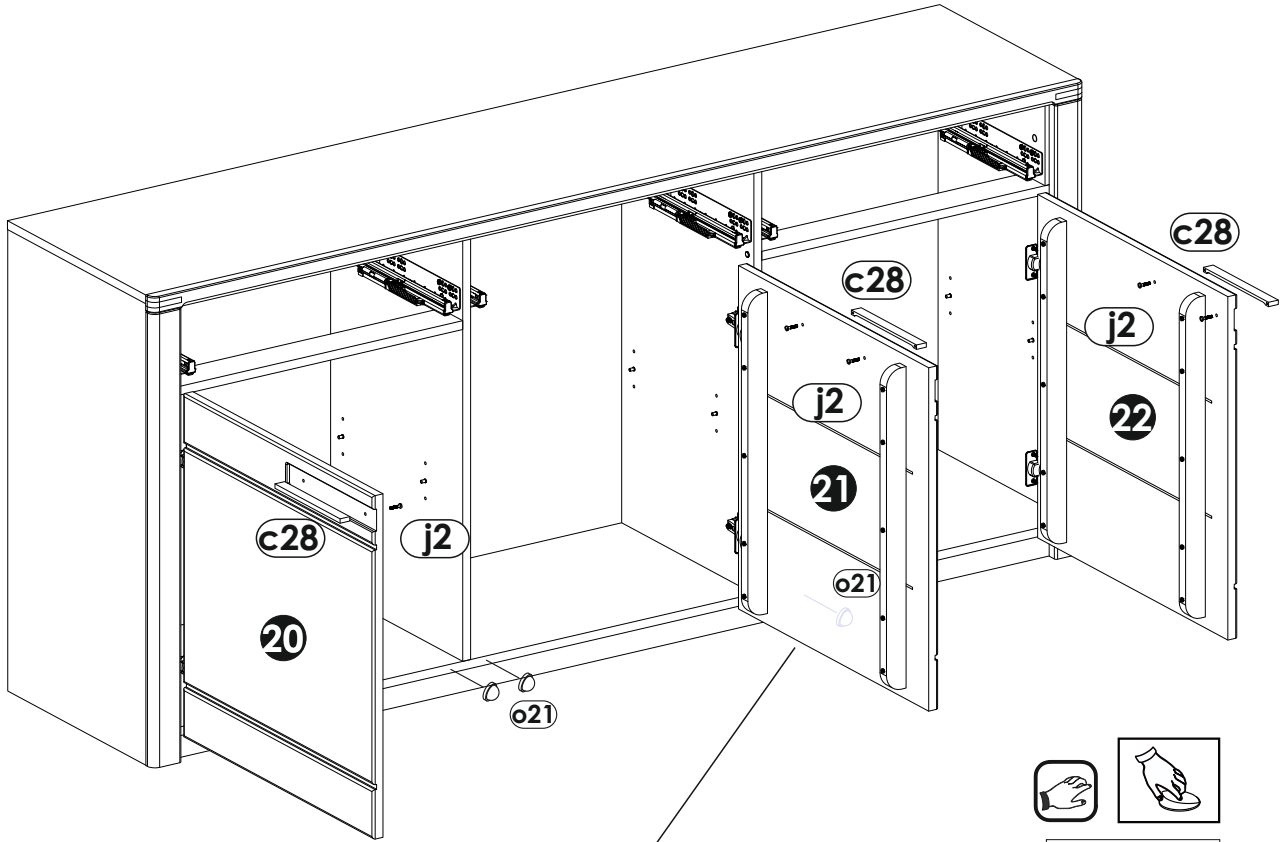
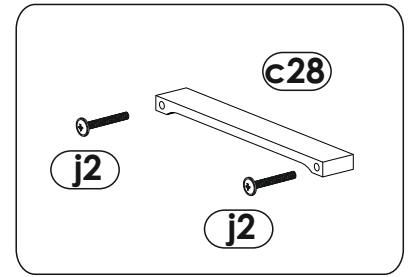
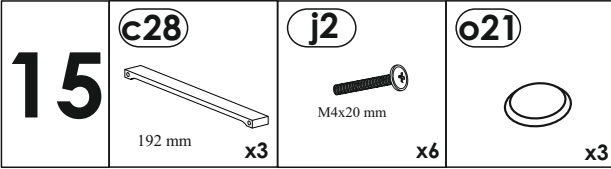
14	p1  φ3.5x13 mm x16	n6  x8	k1  x8

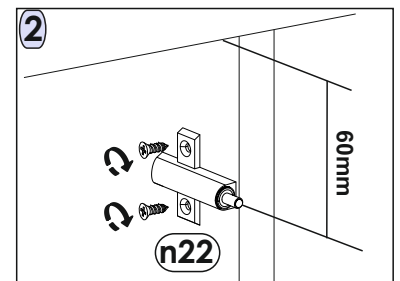
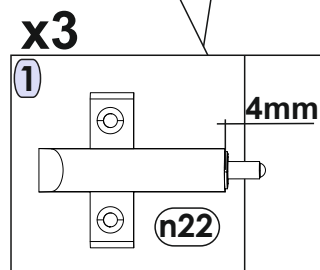
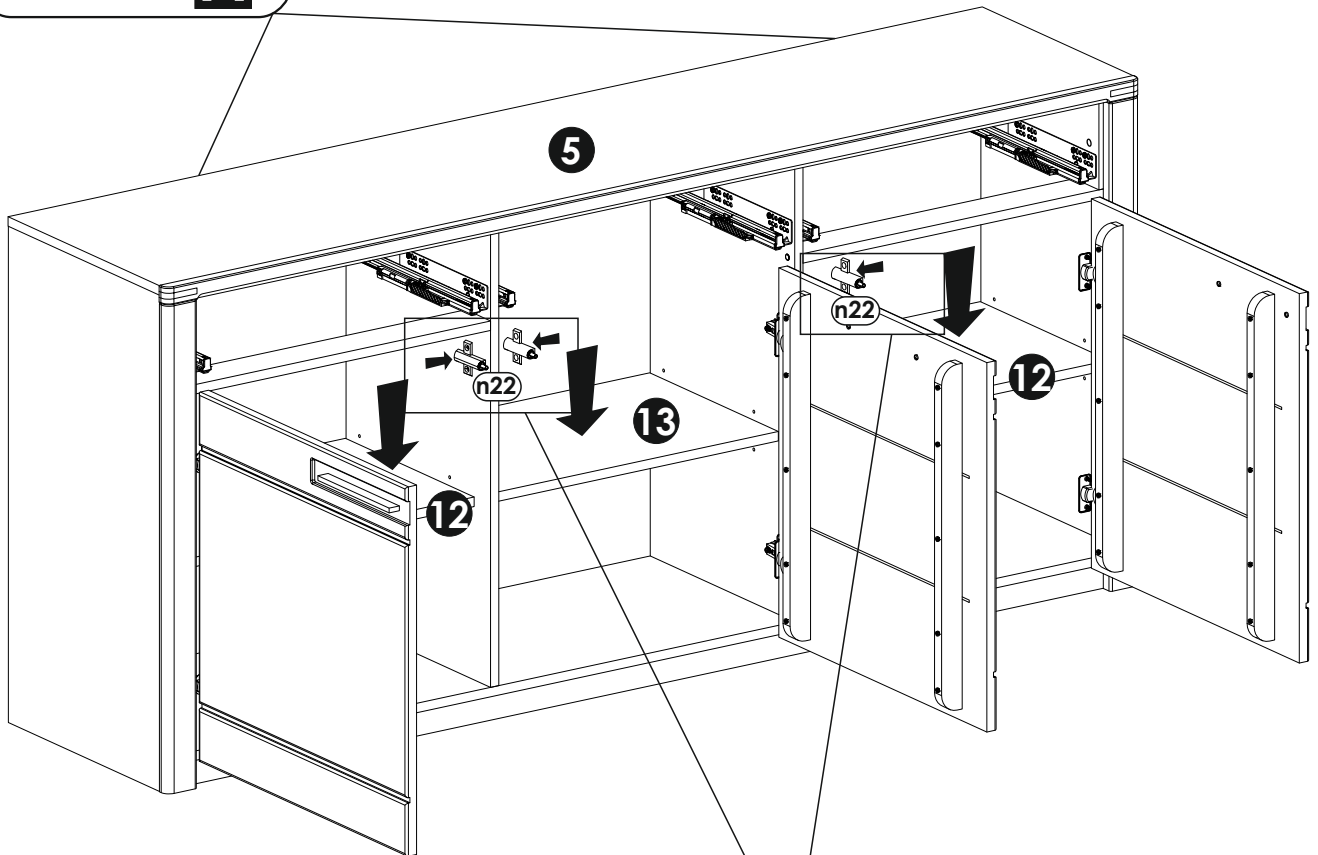
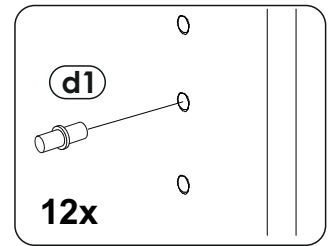
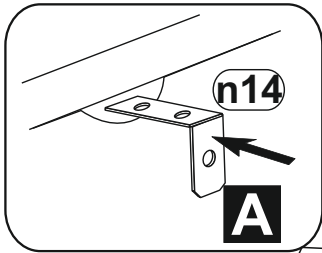
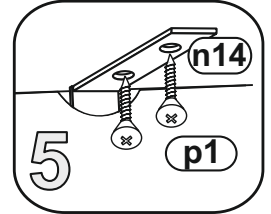
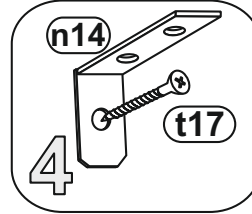
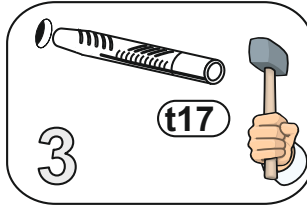
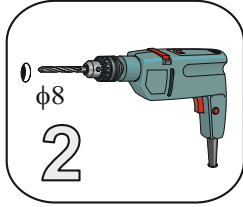
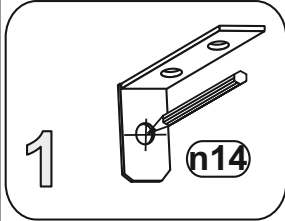
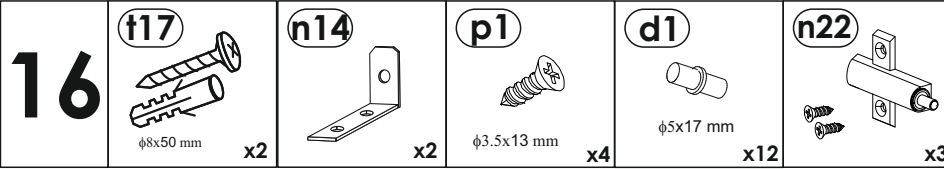


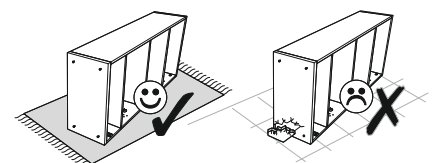
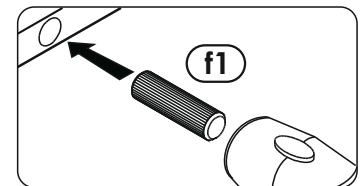
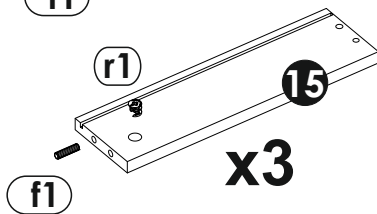
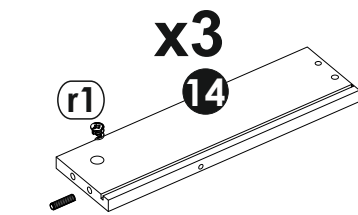
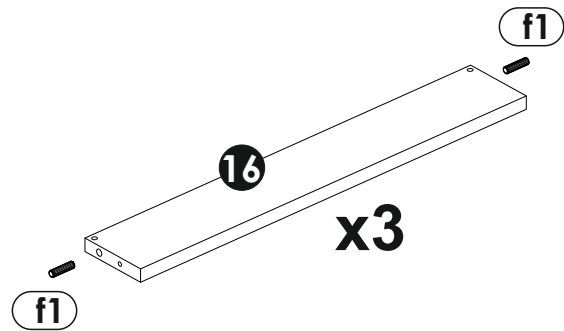
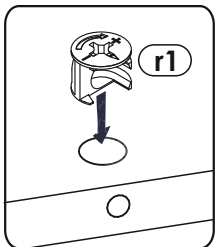
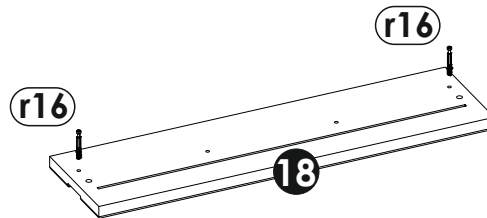
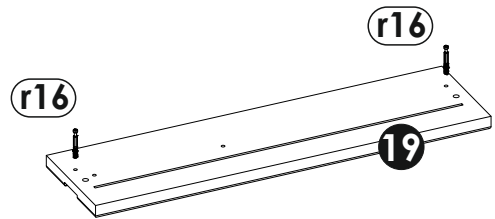
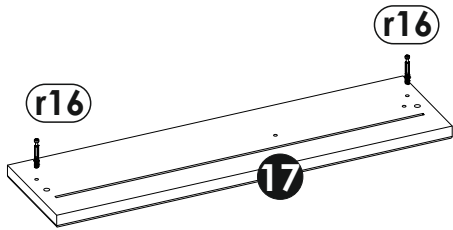
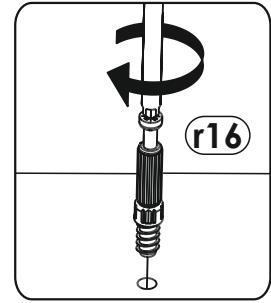
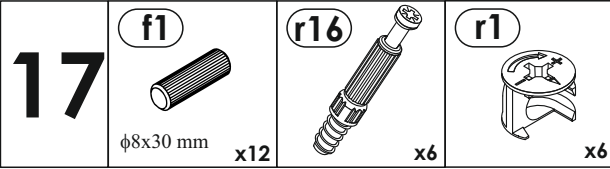
1  n6 11 p1	2  n6 11 p1
---	---



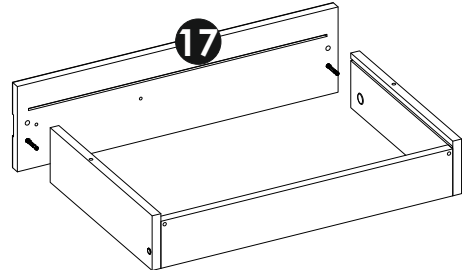
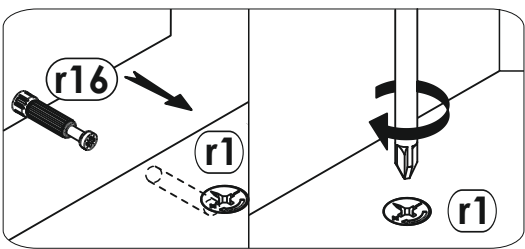
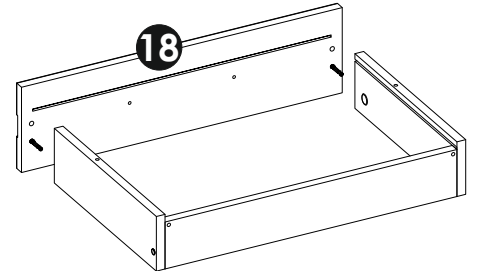
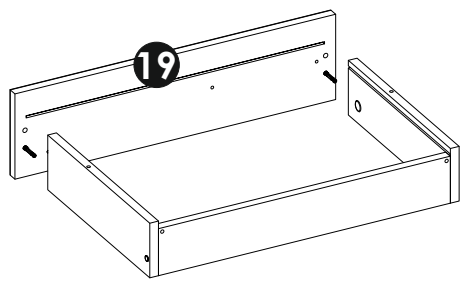
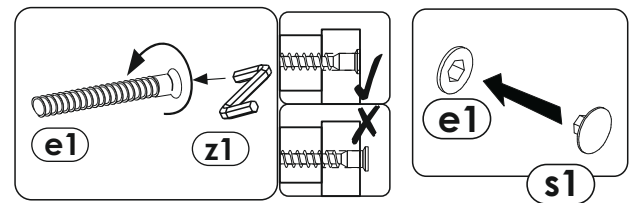
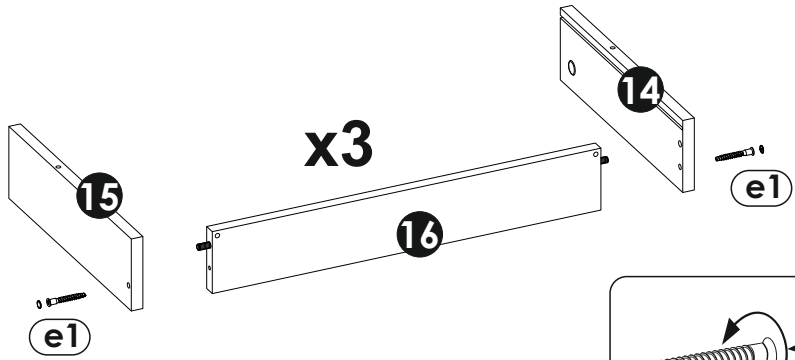
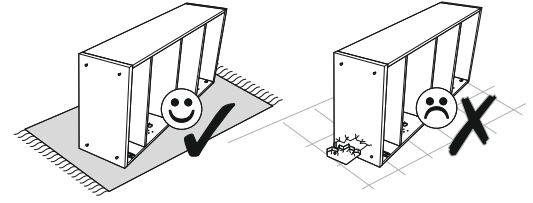
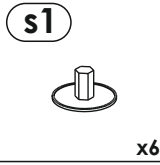
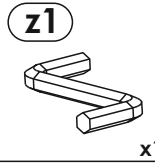
Nature One 12 18 FF 20



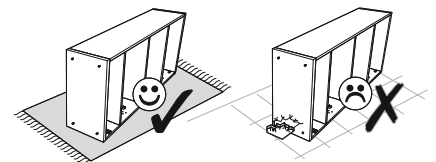
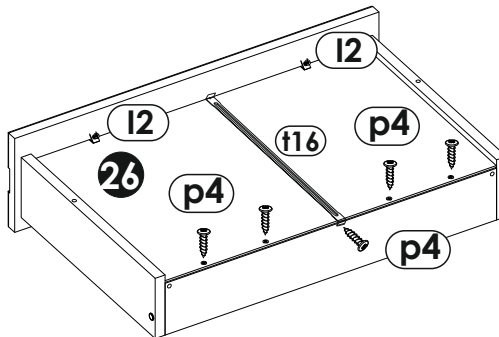
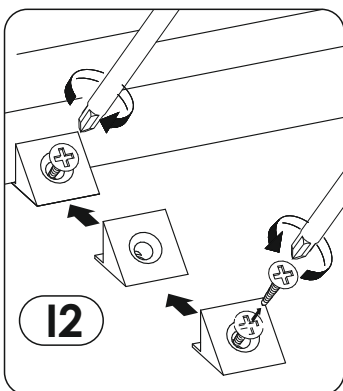
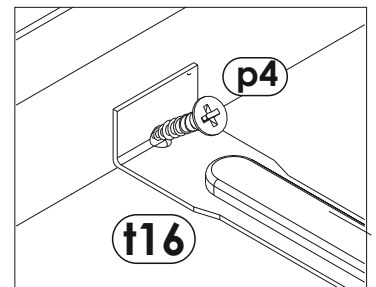
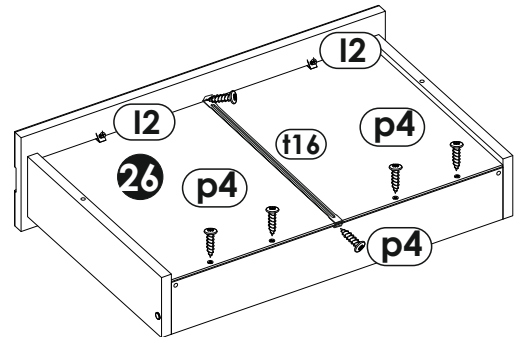
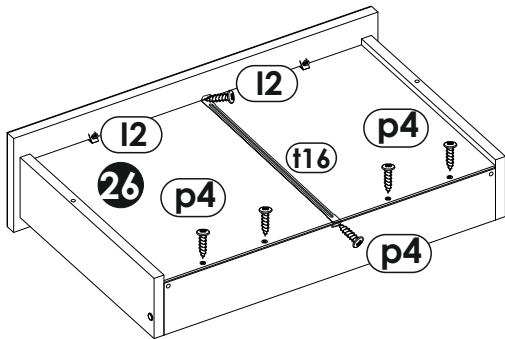
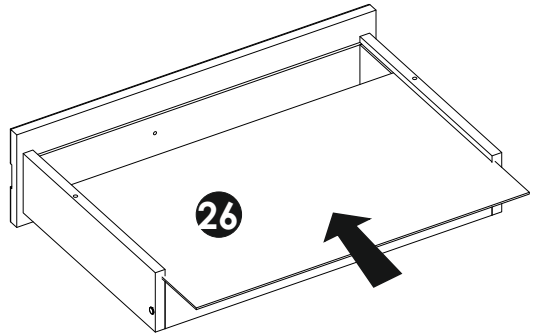
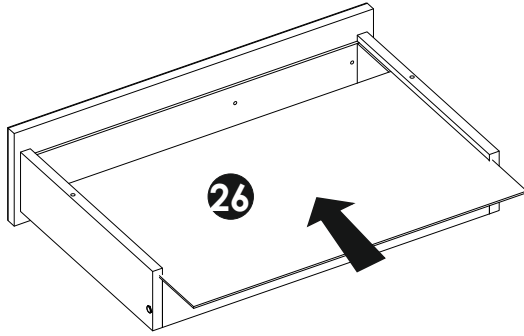
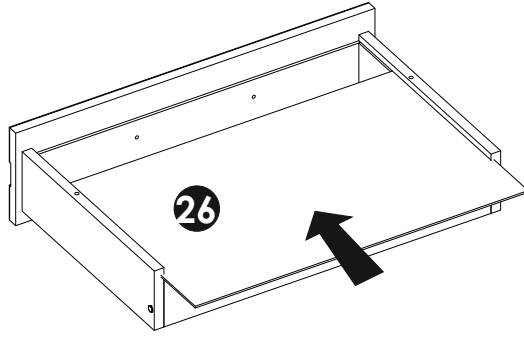
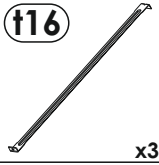
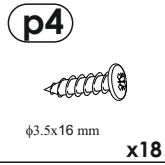
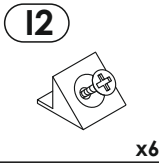




18



19



Nature One 12 18 FF 20

