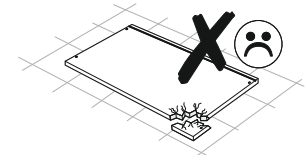
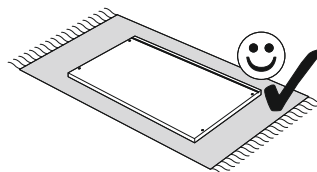
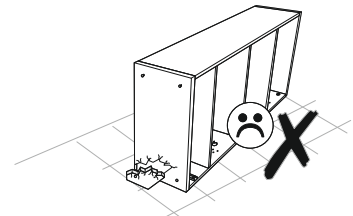
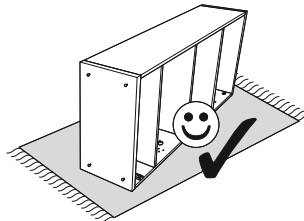
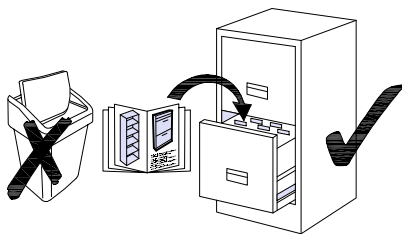
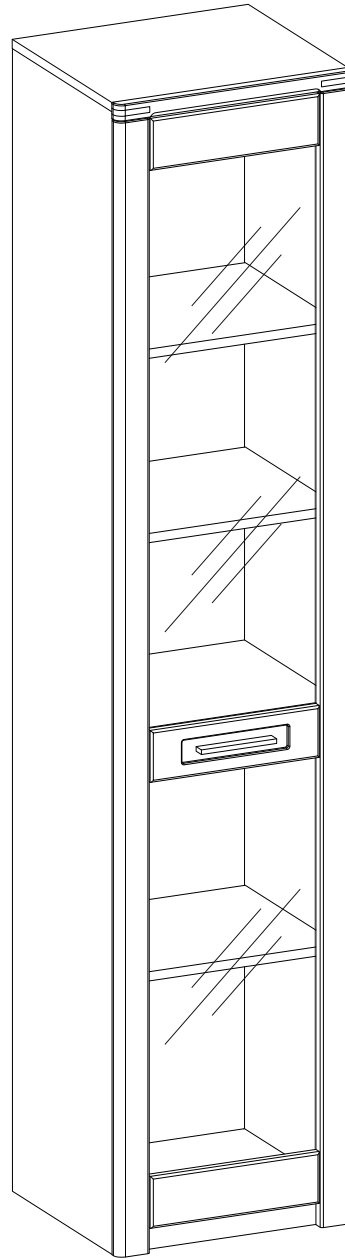
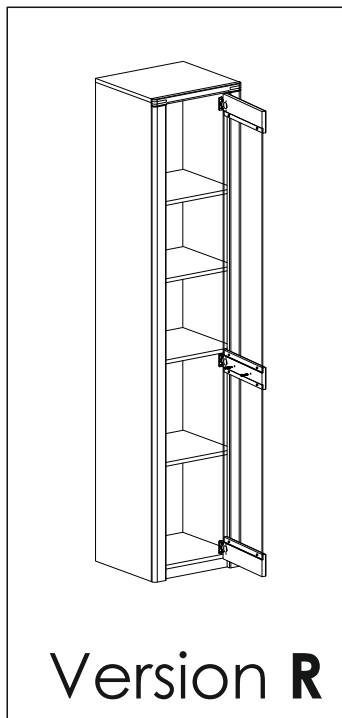
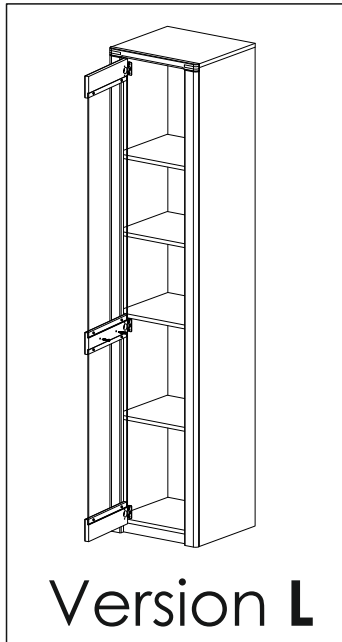
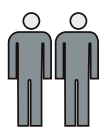
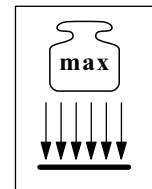
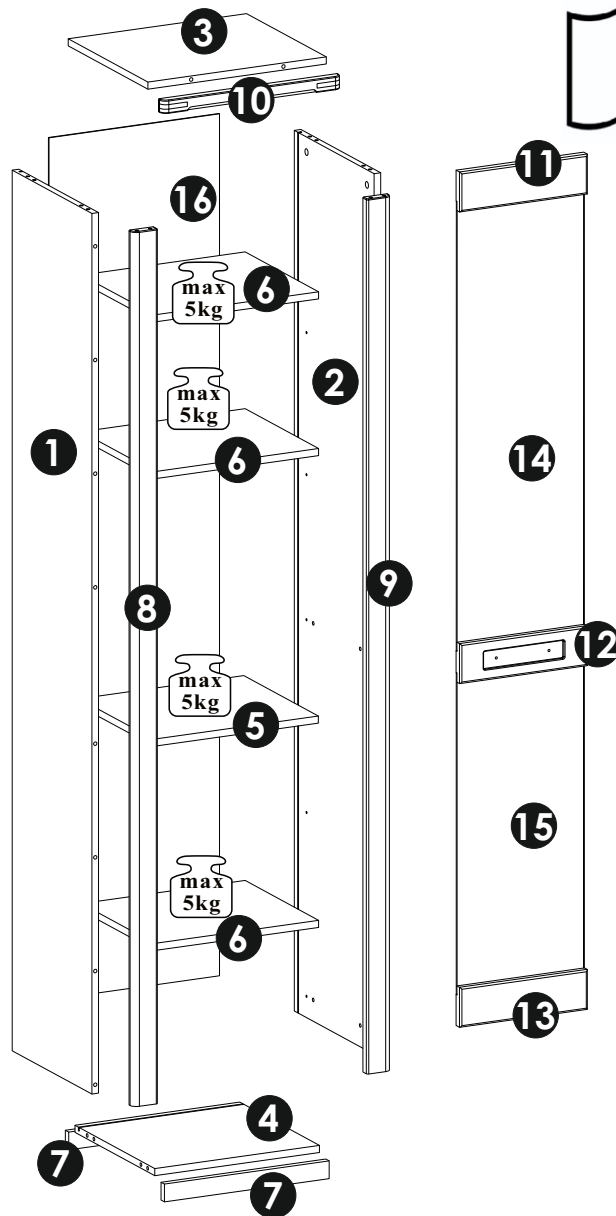


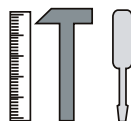
Nature One 12 18 FF 04



Nature One 12 18 FF 04



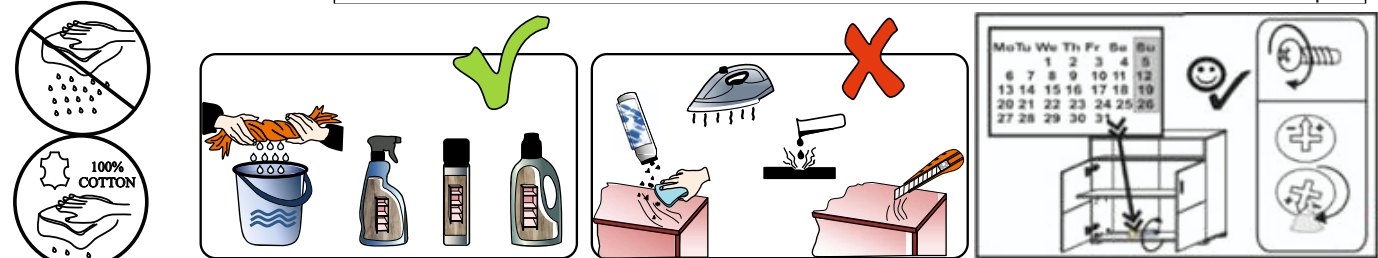
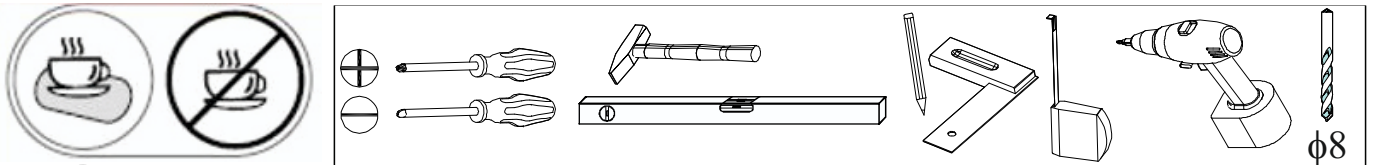
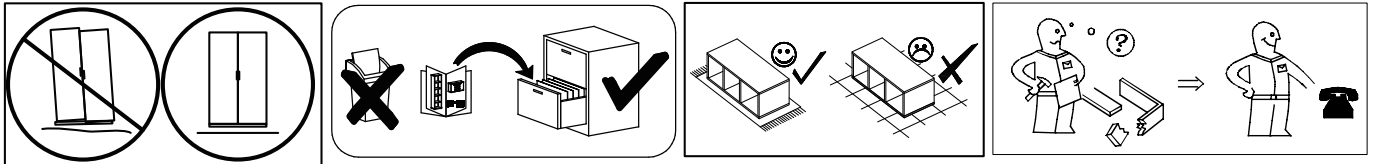
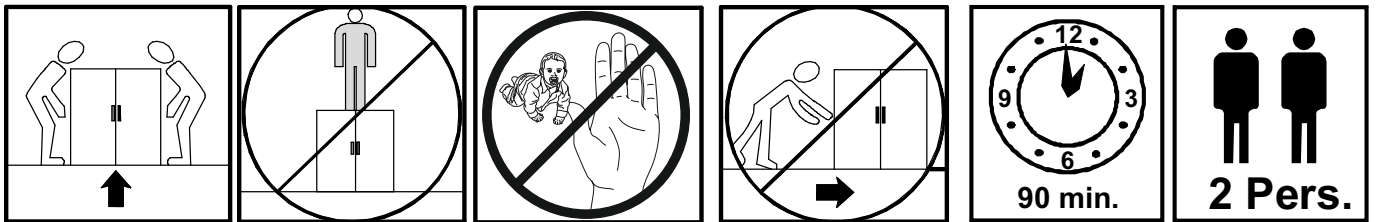
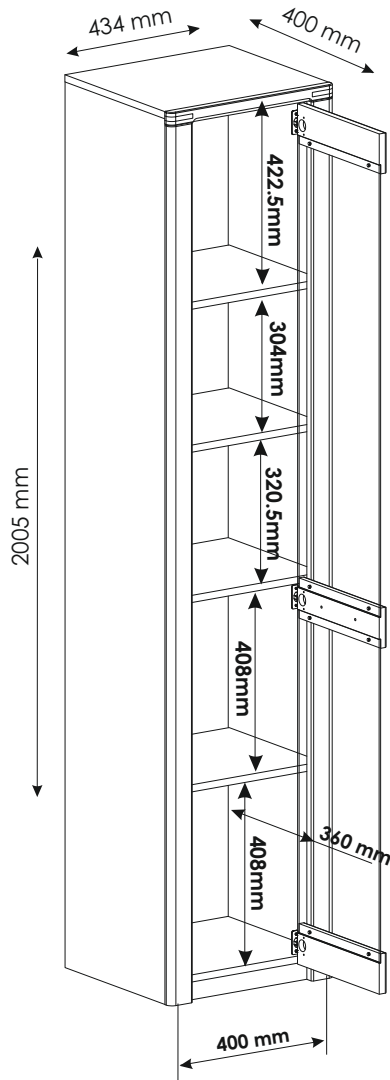
90 min

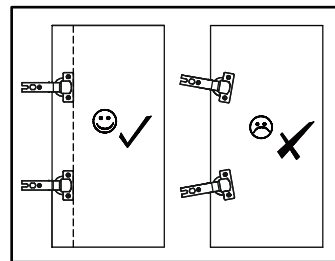
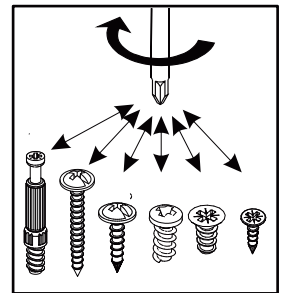
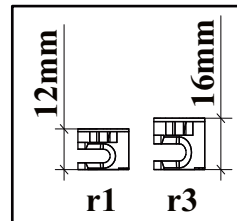
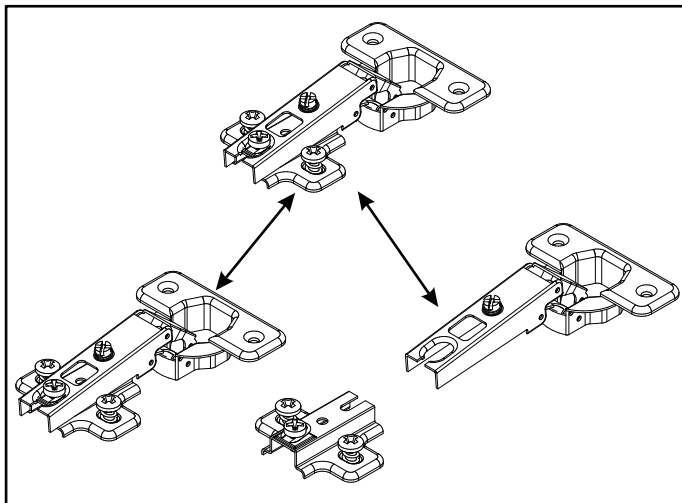
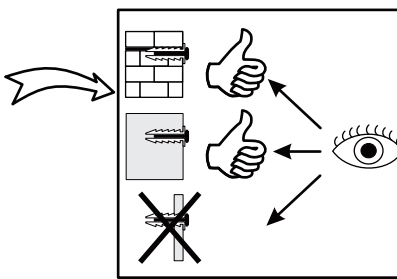
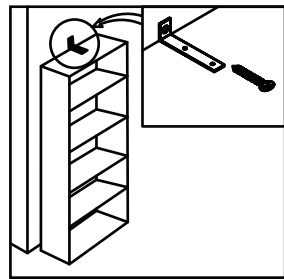
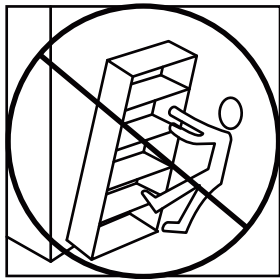
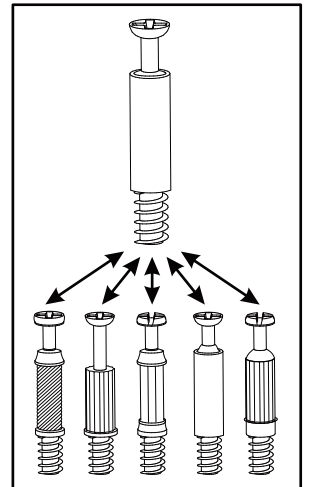
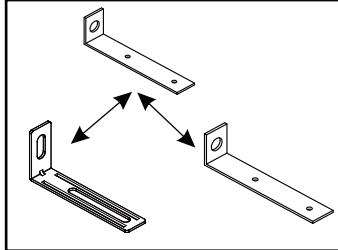
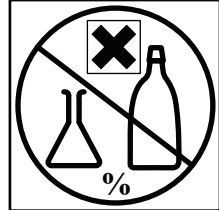
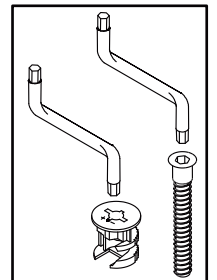
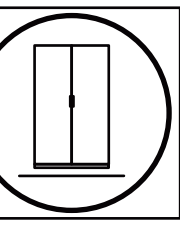
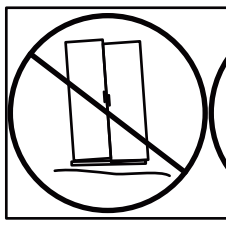
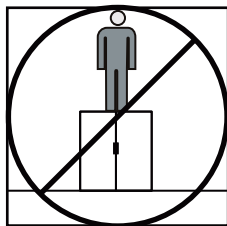
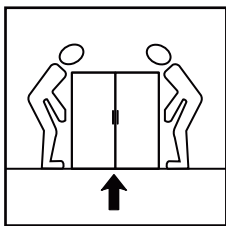
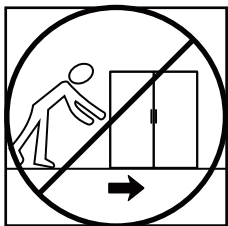
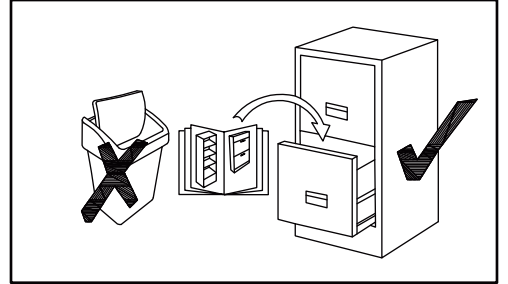
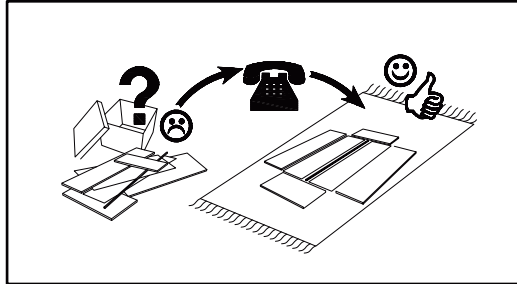
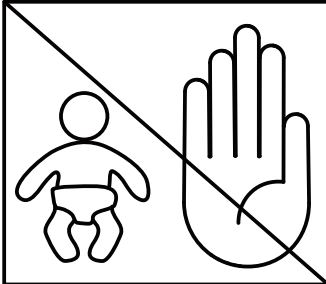
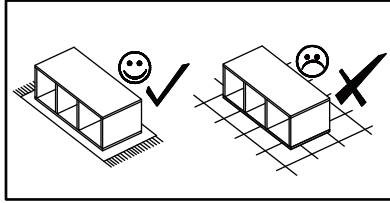
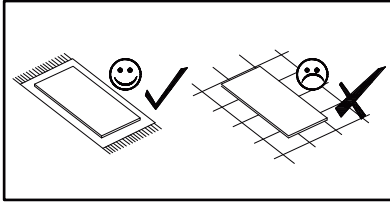
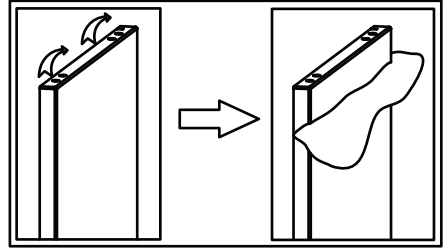


NO	Dim.(mm)			Col.-No	Qty
1	1983	380	16	1/2	1
2	1983	380	16	1/2	1
3	433	380	16	2/2	1
4	400	380	16	2/2	1
5	400	355	16	2/2	1
6	398	350	16	2/2	3
7	400	40	16	2/2	2
8	1970	60	20	1/2	1
9	1970	60	20	1/2	1
10	435	30	20	2/2	1
11	310	90	20	2/2	1
12	310	90	20	2/2	1
13	310	90	20	2/2	1

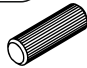
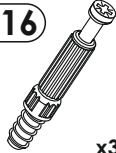




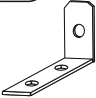
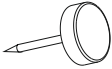
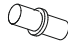
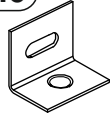
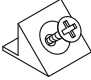




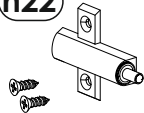
NO	Dim.(mm)			Col.-No	Qty
14	309	1012	4	1/2	1
15	309	724	4	1/2	1
16	1941	414	3	1/2	1
A				2/2	1

Nature One 12 18 FF 04

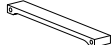





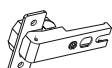

A1

f1  φ8x30 mm x16	r16  x30	o21  x2	r1  x30	s2  x30	t17  φ8x50 mm x1	n14  x1
k1  x4	d1  φ5x17 mm x12	n6  x4	l2  x12	o27  x8	p4  φ3.5x16 mm x11	j2  M4x20 mm x2
p1  φ3.5x13 mm x16	n22  x1					

A2

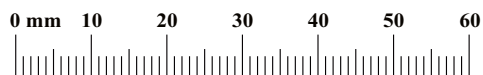
c27  128 mm x1					
--	--	--	--	--	--

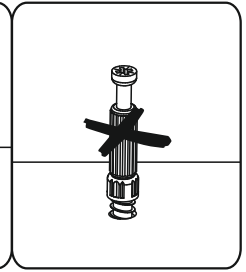
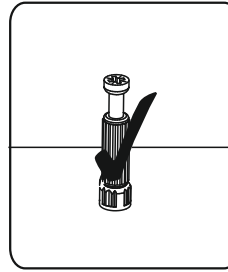
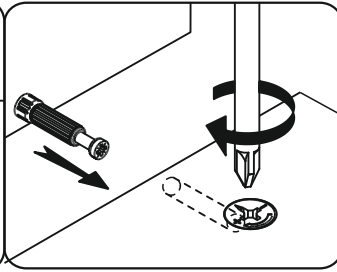
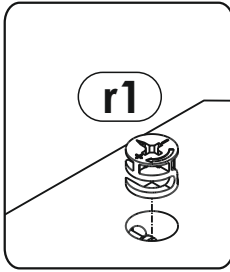
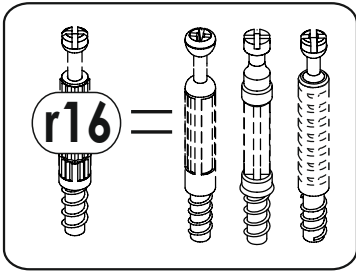
A3

b8  x3	a8  φ26 mm x3	e2  φ6.3x13 mm x6				
---	--	--	--	--	--	--

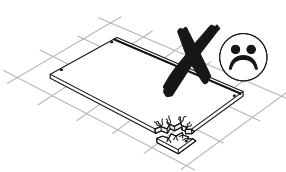
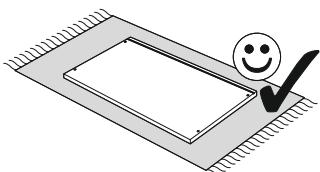
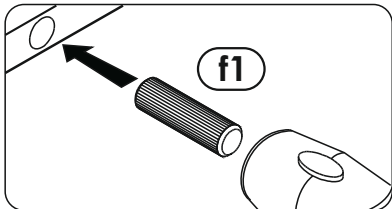
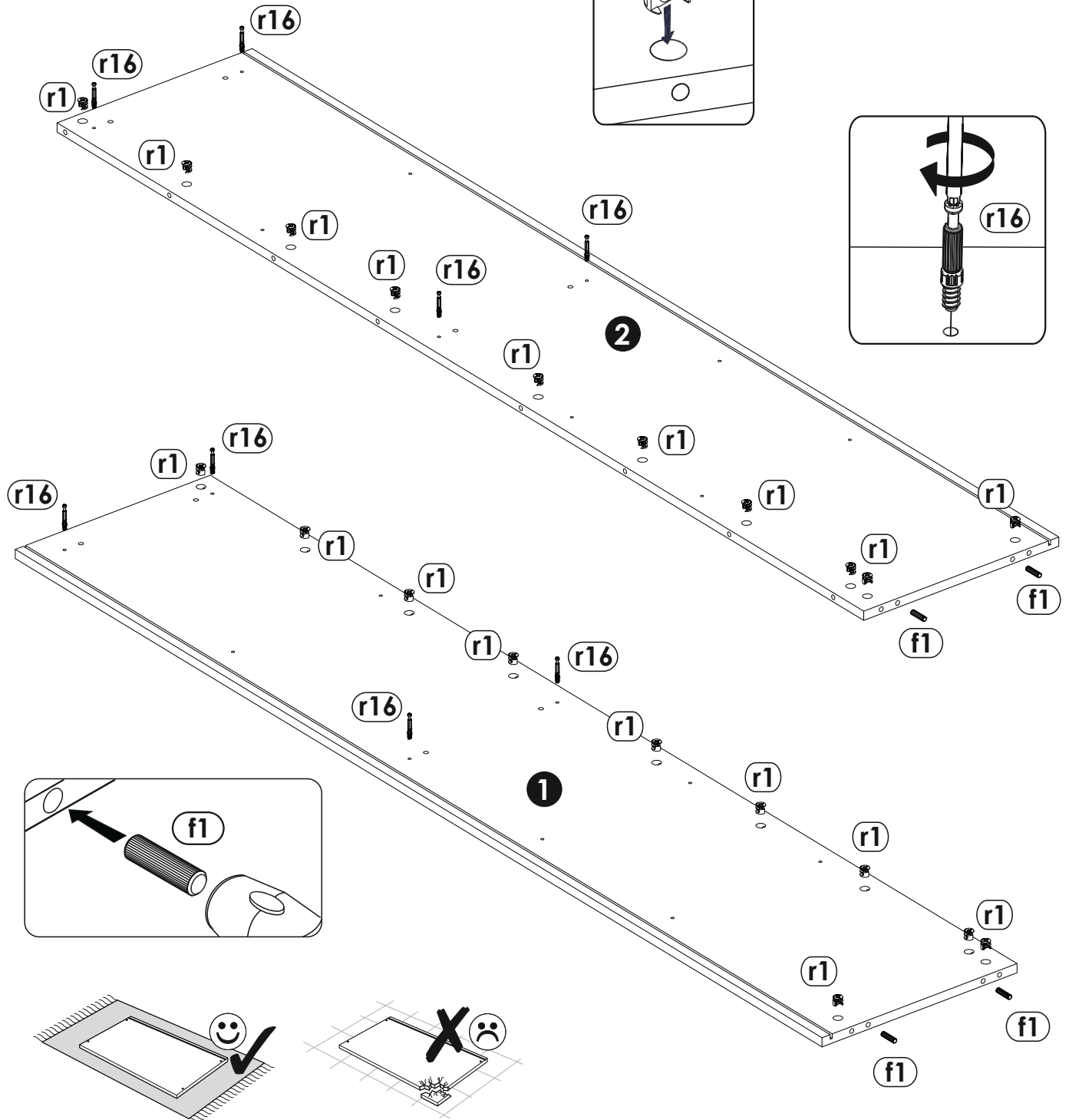
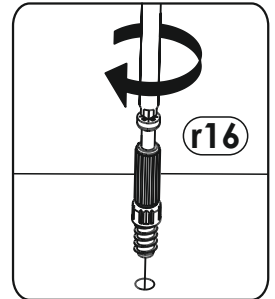
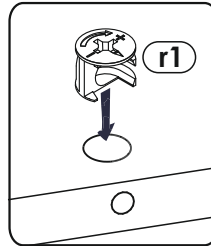
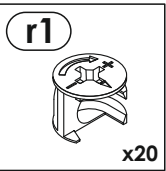
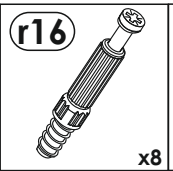
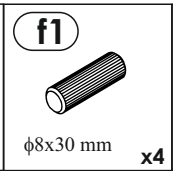
A4

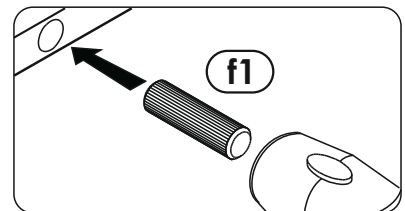
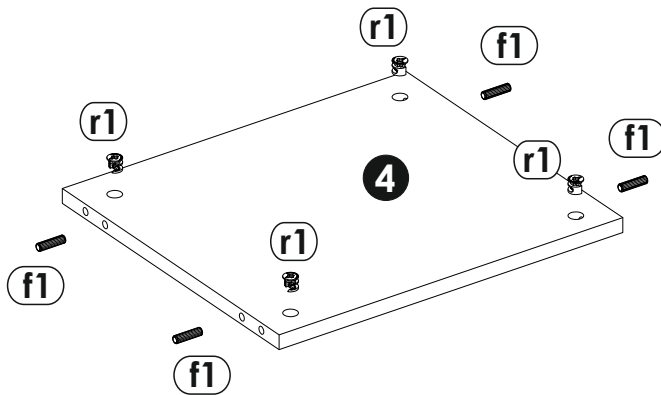
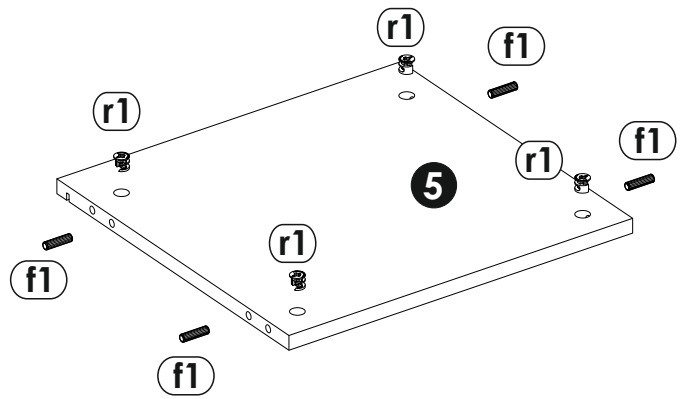
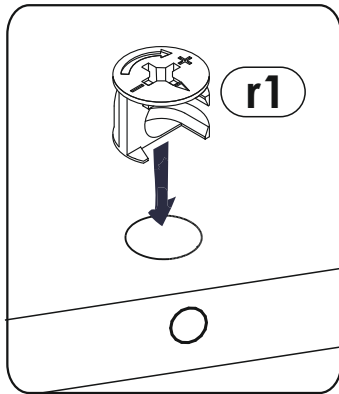
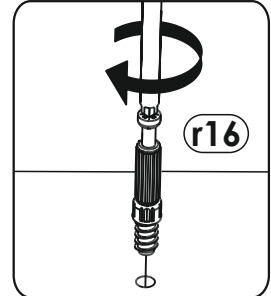
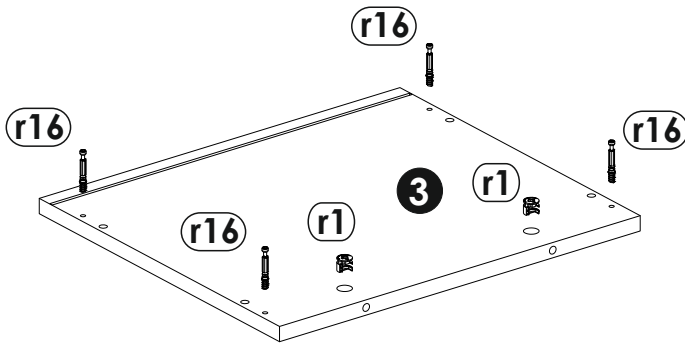
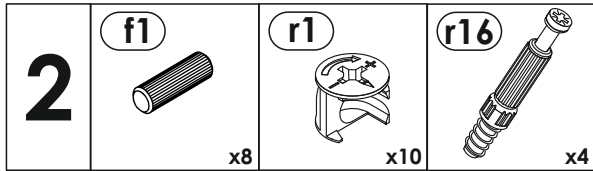
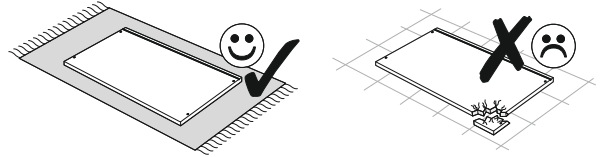
Z3  x3	Y10  x1					
--	---	--	--	--	--	--





1





3

e2



φ6.3x13 mm

x6

b8

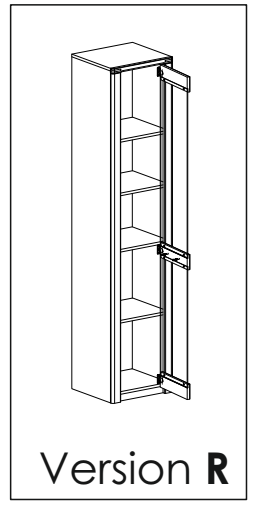
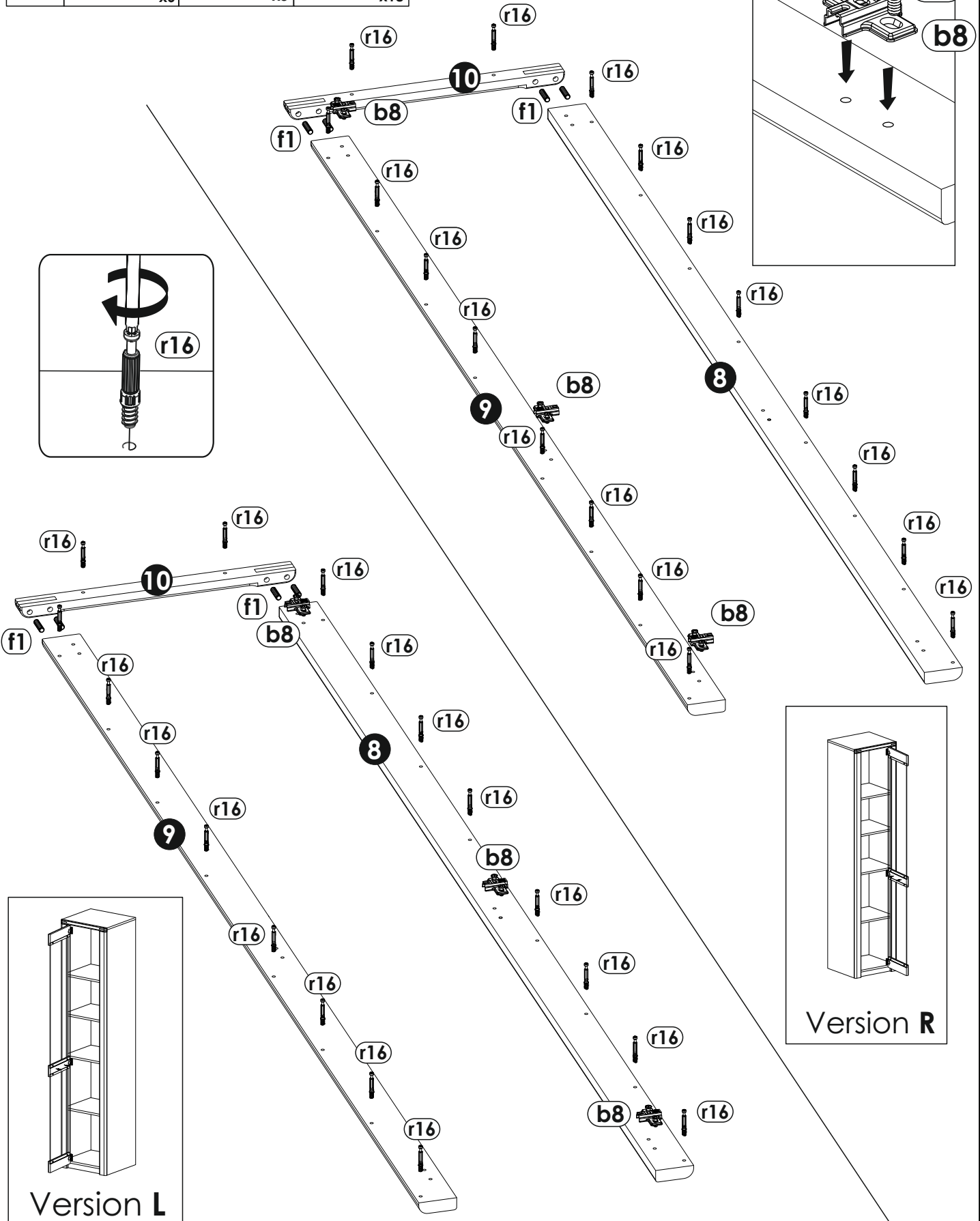
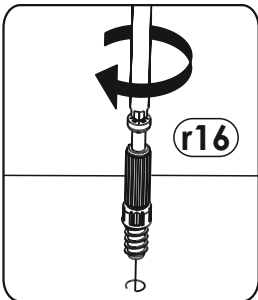
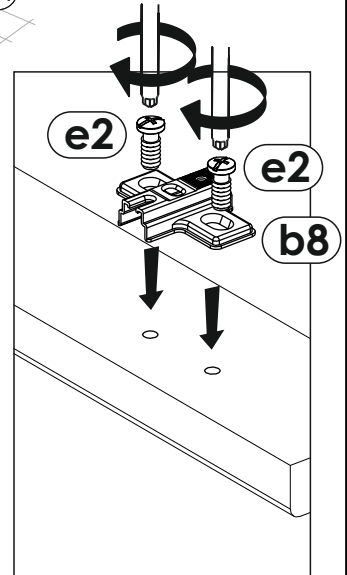
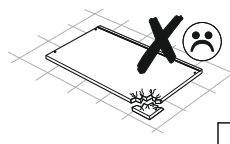
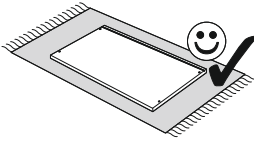


x3

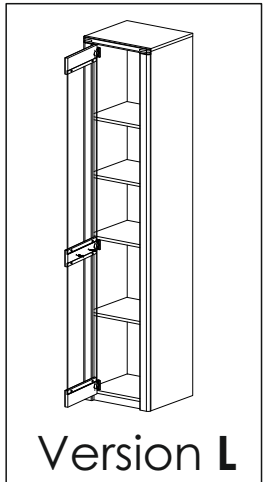
r16



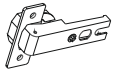



x18

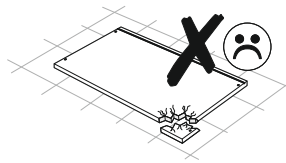
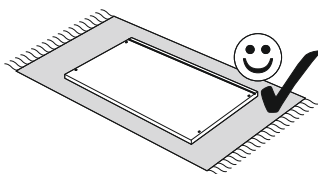
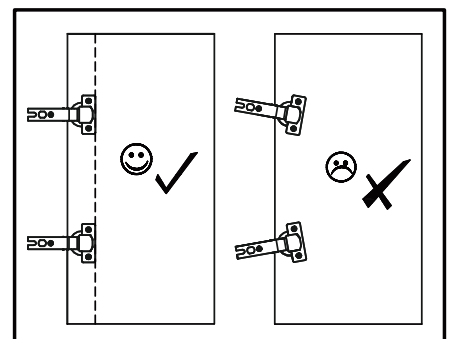
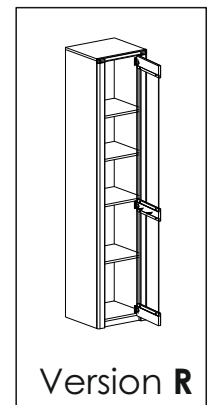
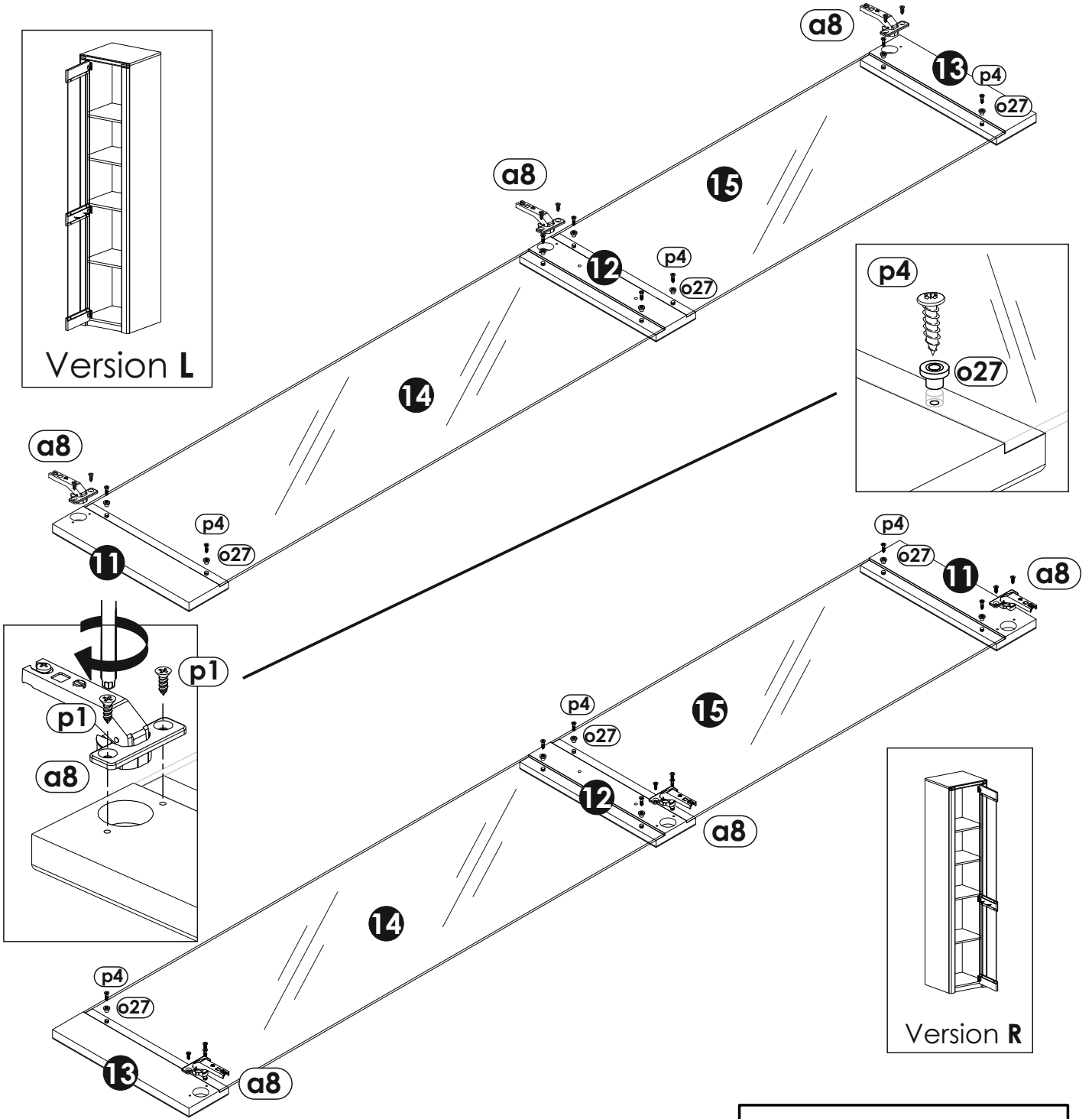
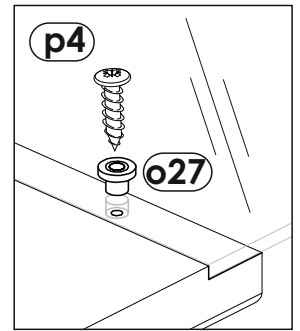
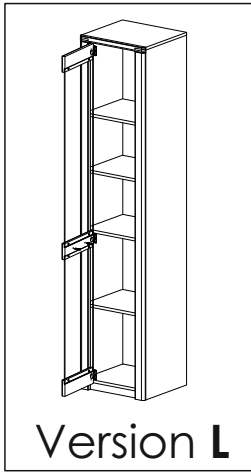
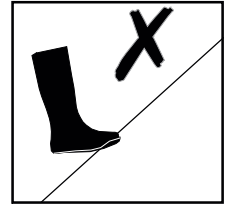


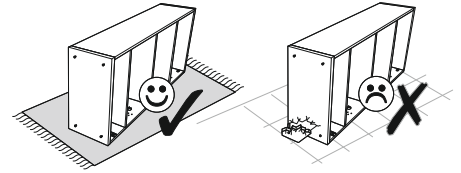
Version R



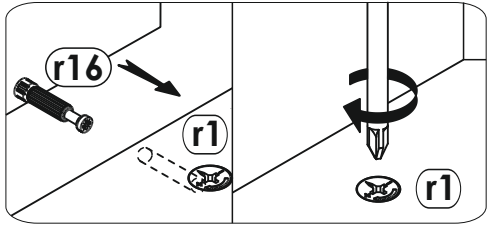
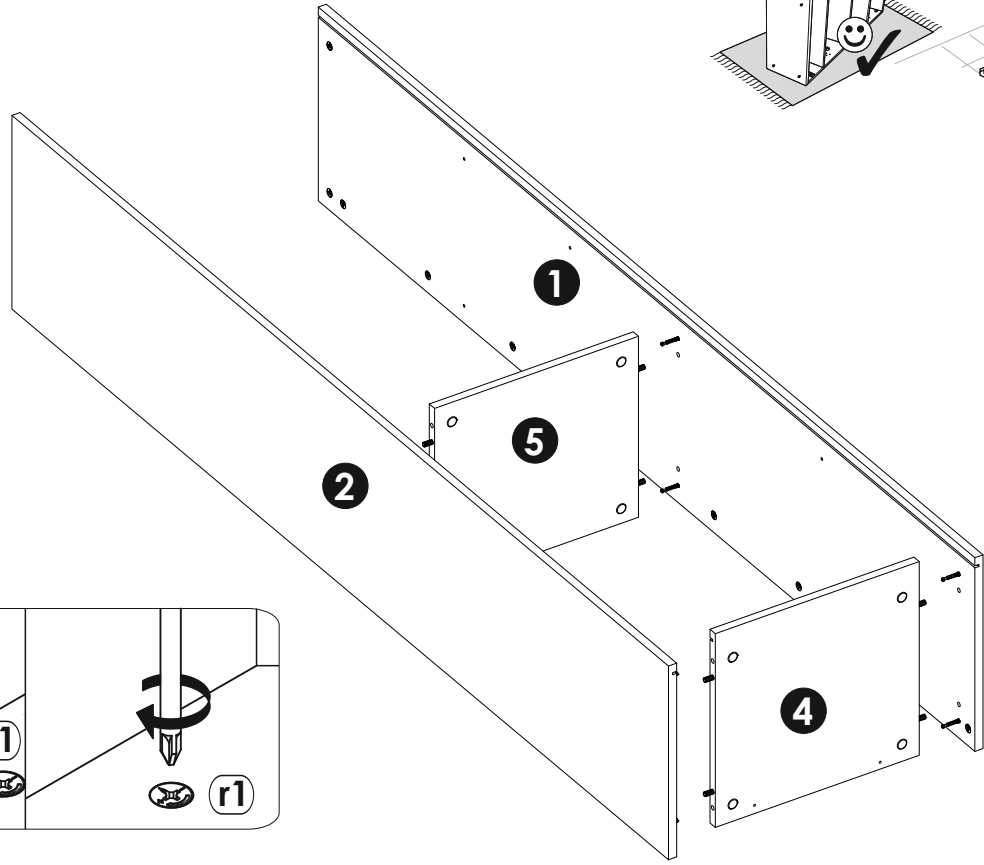
Version L

4	a8  x3	p1  φ3.5x13 mm x6	p4  φ3.5x16 mm x8	o27  x8
----------	--	---	---	---

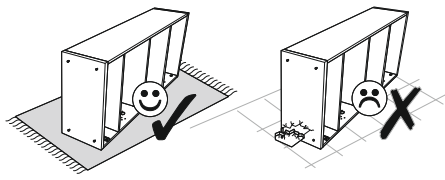
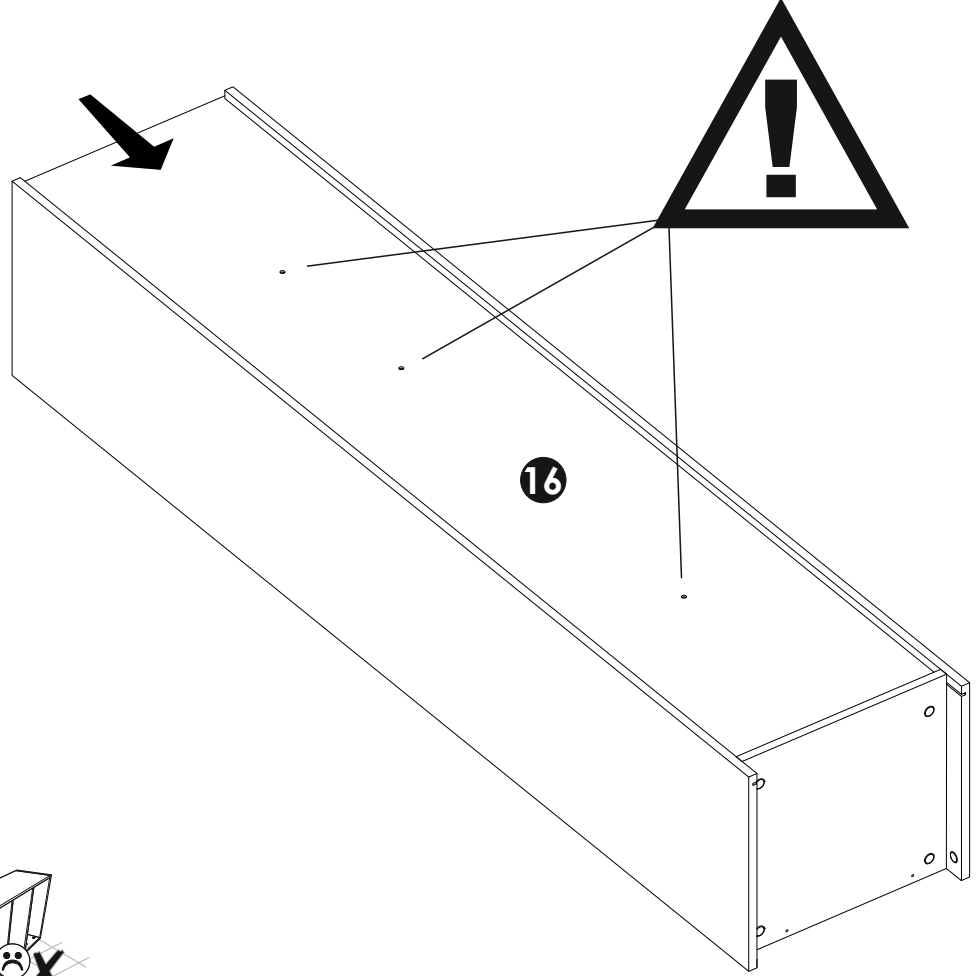




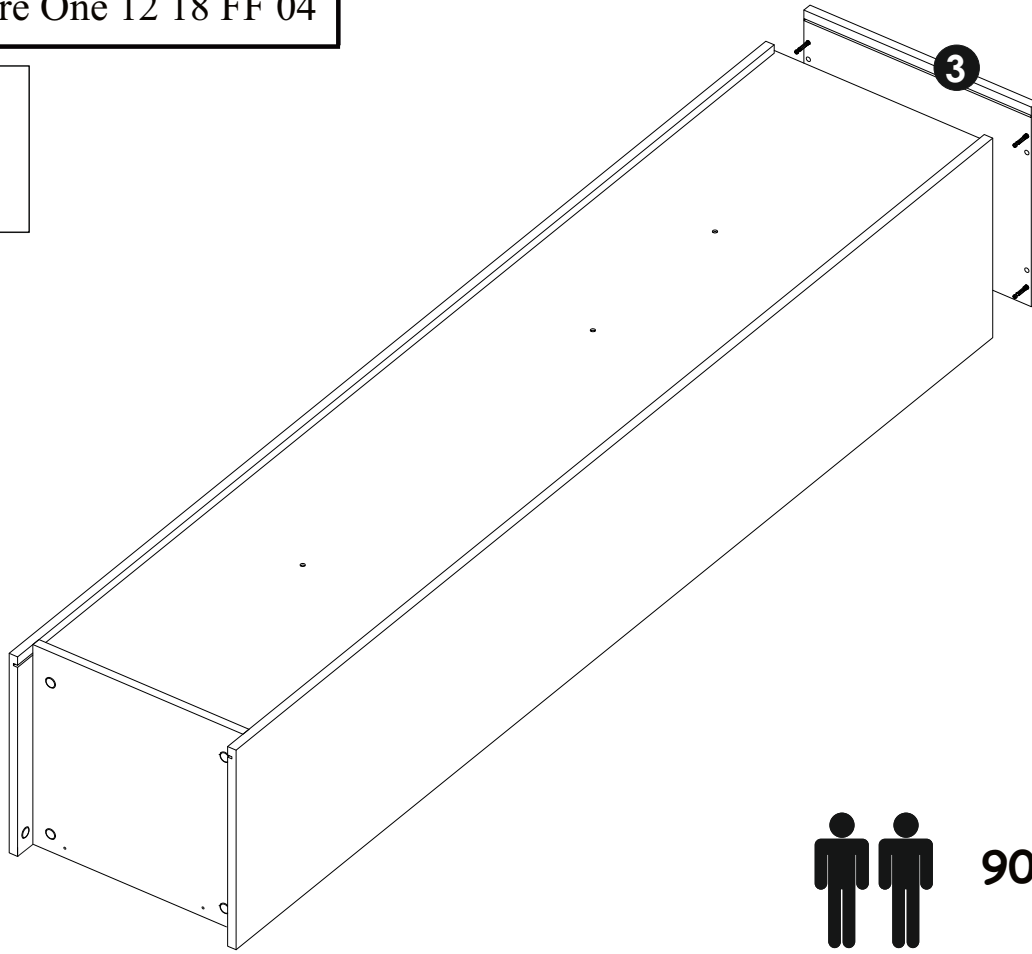
5



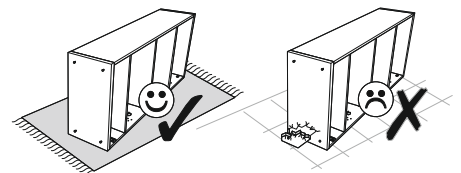
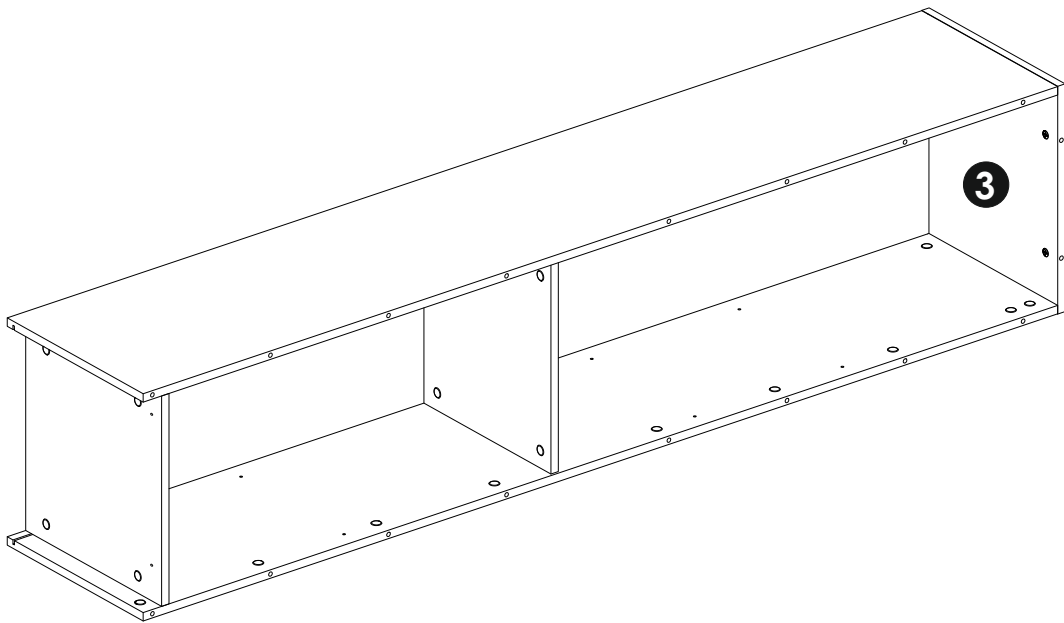
6

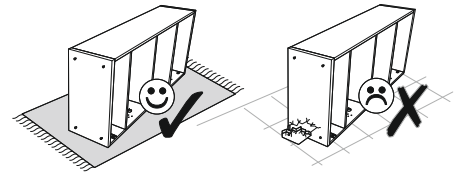


7

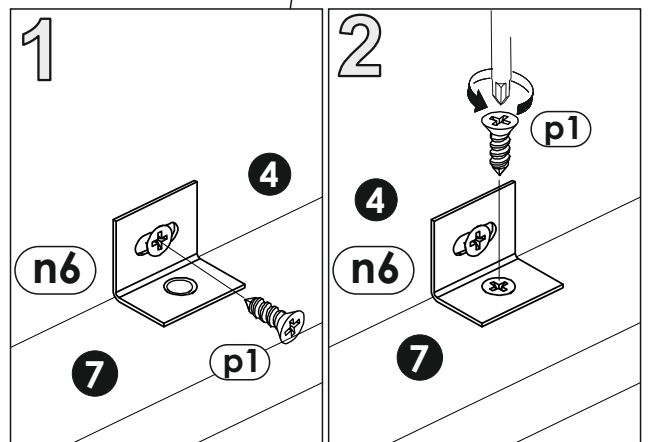
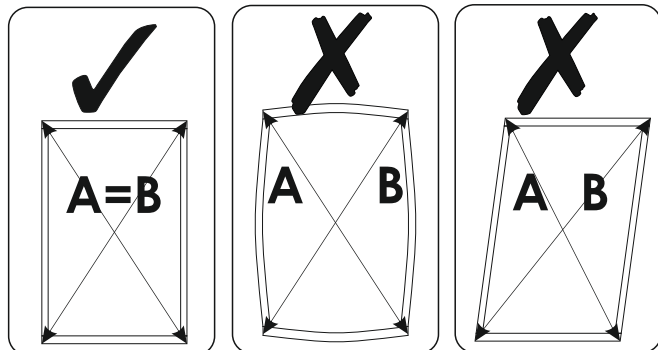
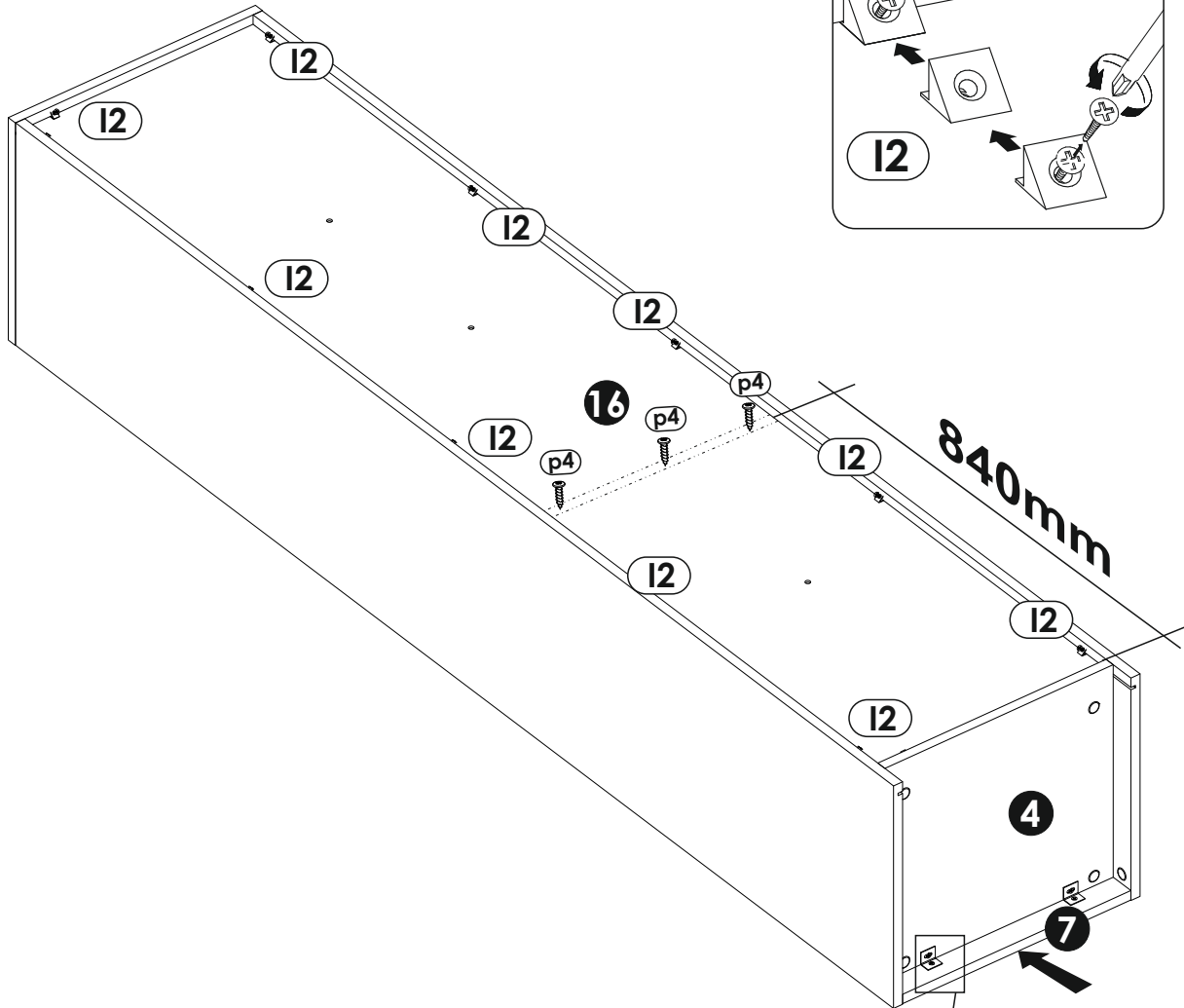





8

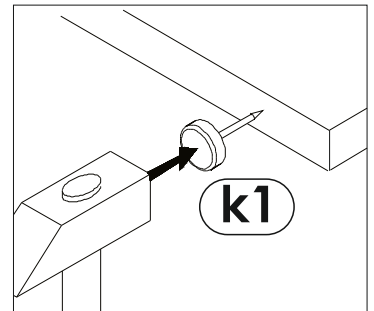
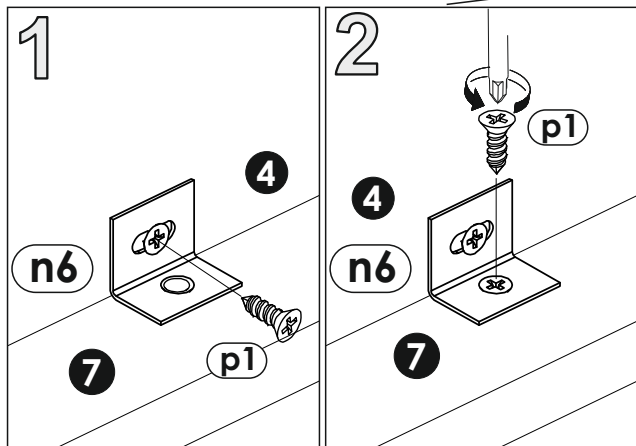
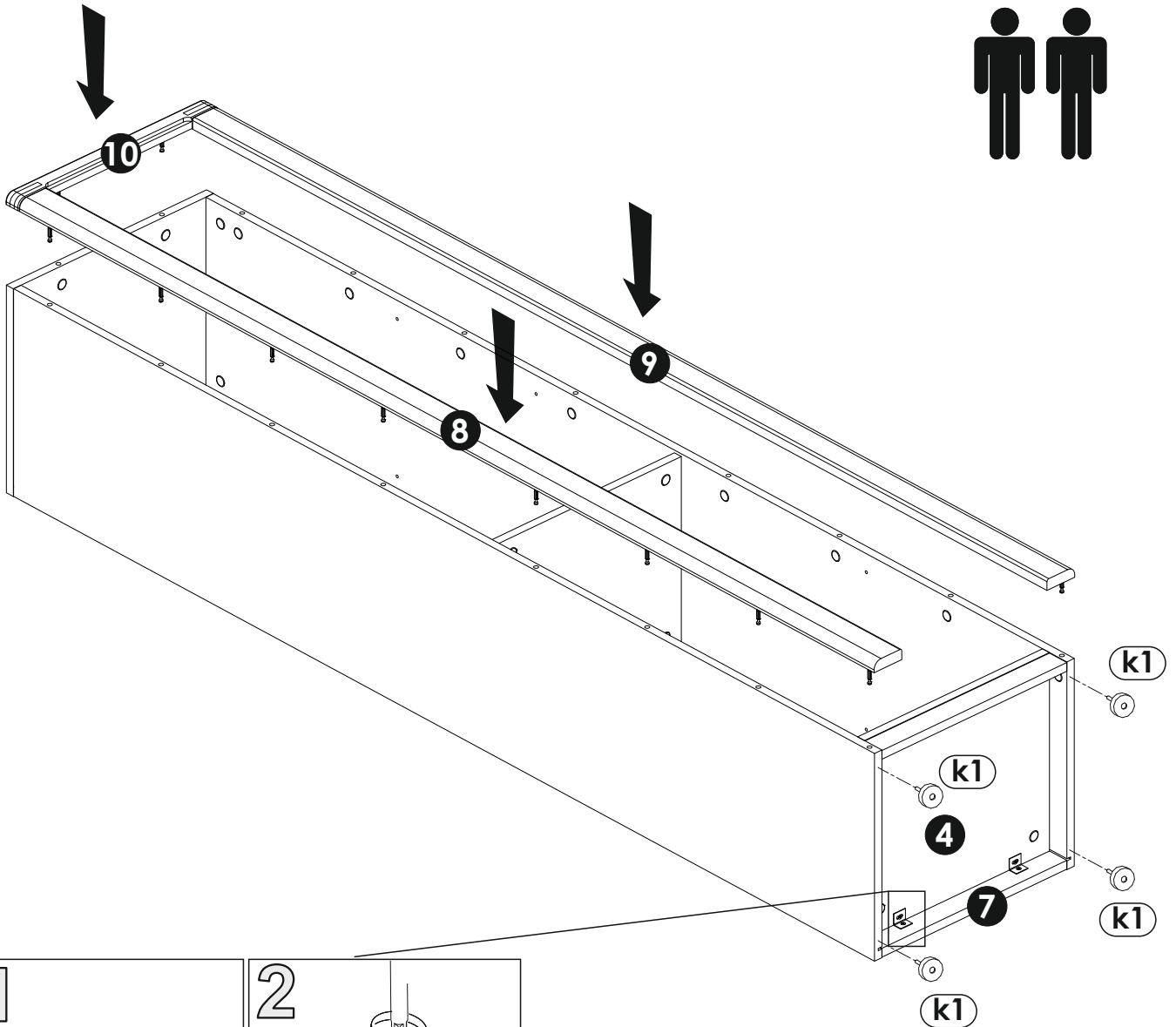
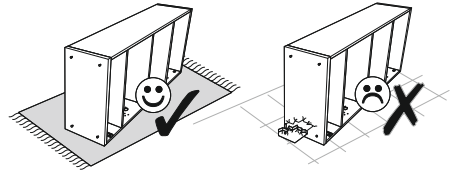




9	I2 x12	p1 φ3.5x13 mm x4	n6 x2	p4 φ3.5x16 mm x3
----------	----------------------	-----------------------------------	---------------------	-----------------------------------

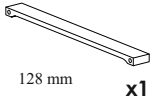


<p>10</p>	<p>p1</p>  <p>φ3.5x13 mm x4</p>	<p>n6</p>  <p>x2</p>	<p>k1</p>  <p>x4</p>
------------------	---	--	--

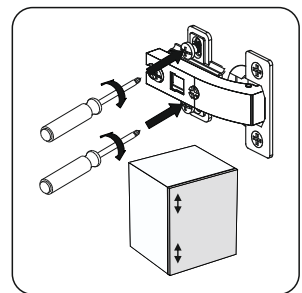
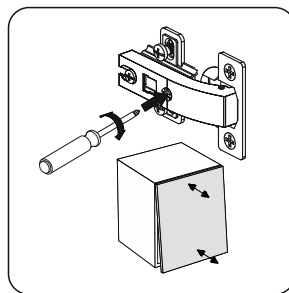
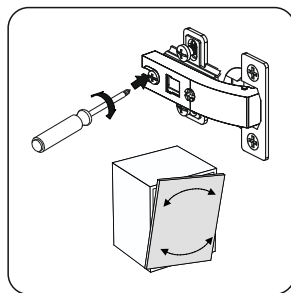
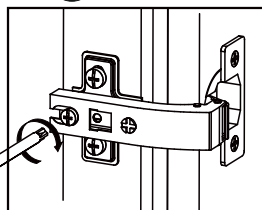
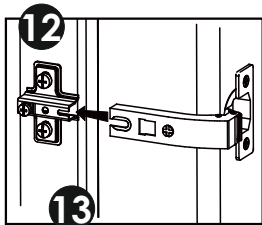
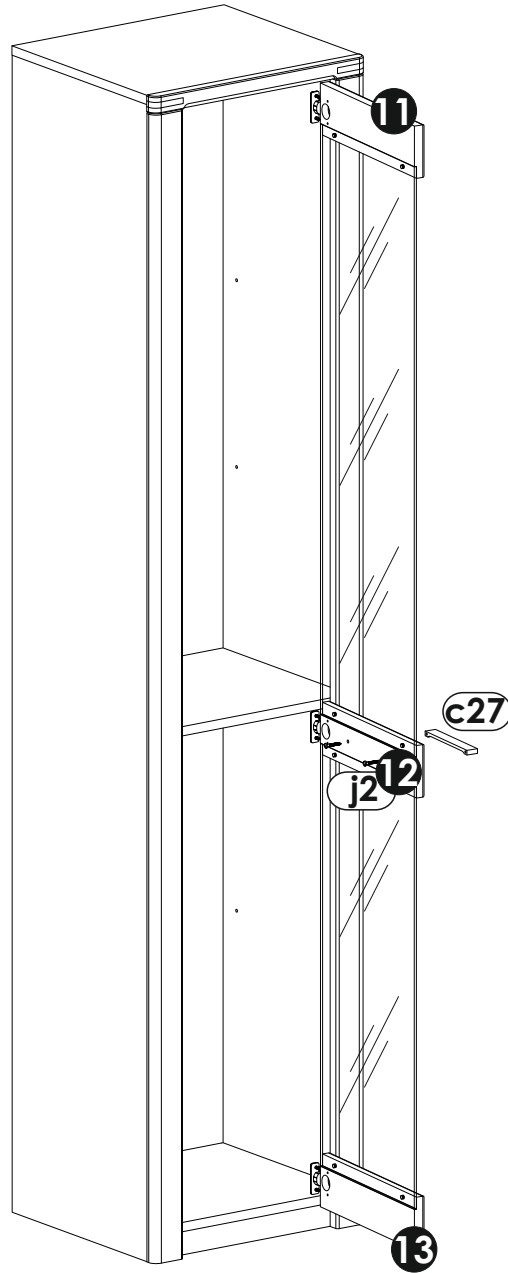
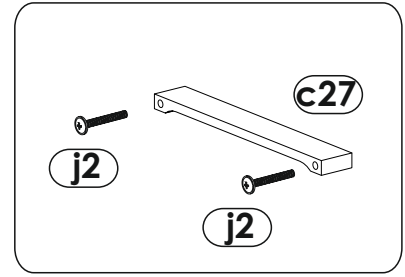


11



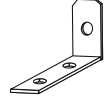



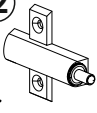
c27

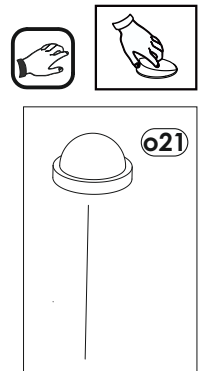
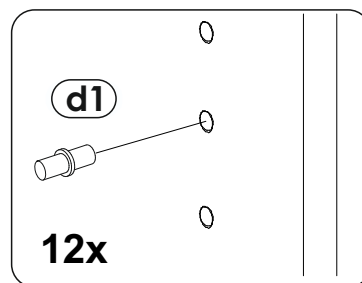
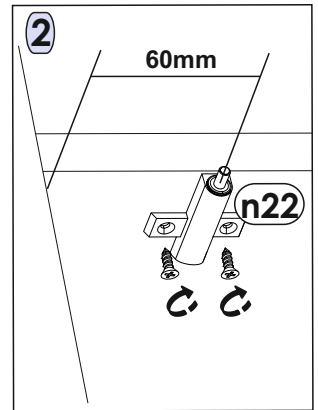
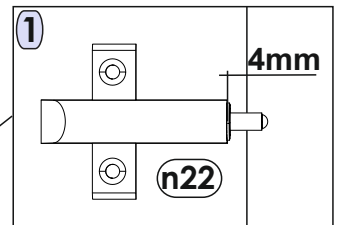
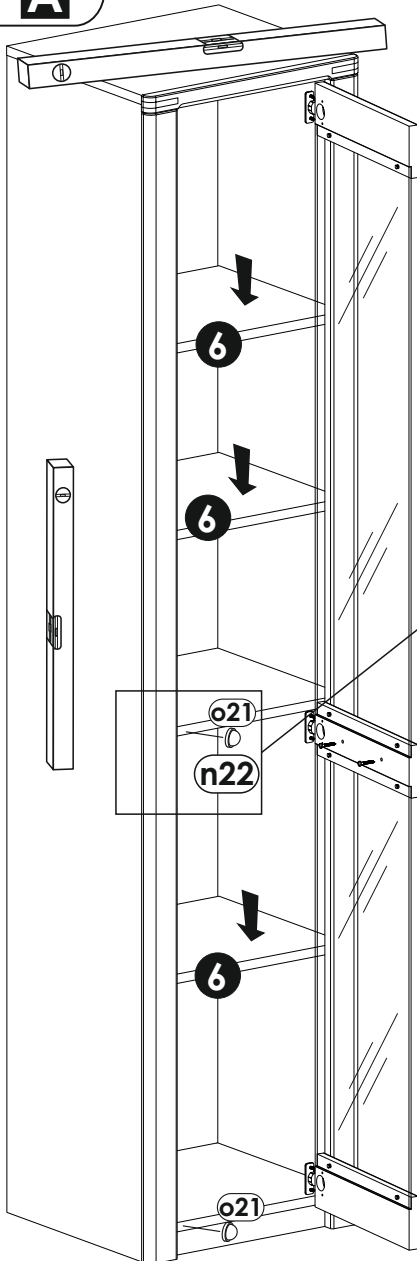
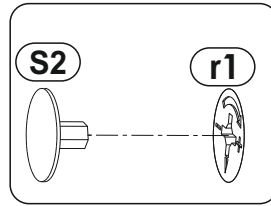
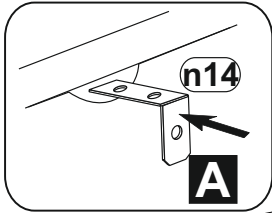
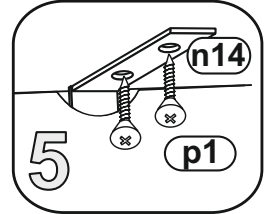
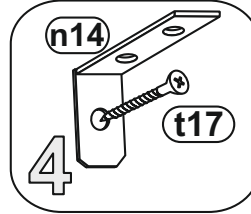
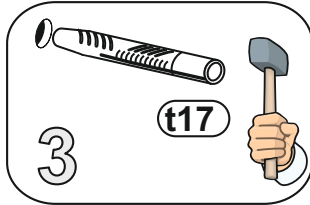
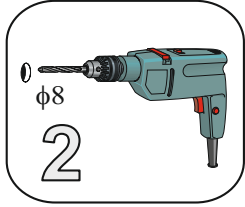
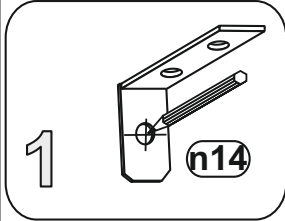


j2



12

o21  x2	t17  φ8x50 mm x1	n14  x1	p1  φ3.5x13 mm x2	d1  φ5x17 mm x12	s2  x30	n22  x1
---	---	---	--	--	---	---





INPUT: 100-240V~50/60Hz
OUTPUT: 12VDC/MAX 3,6W

