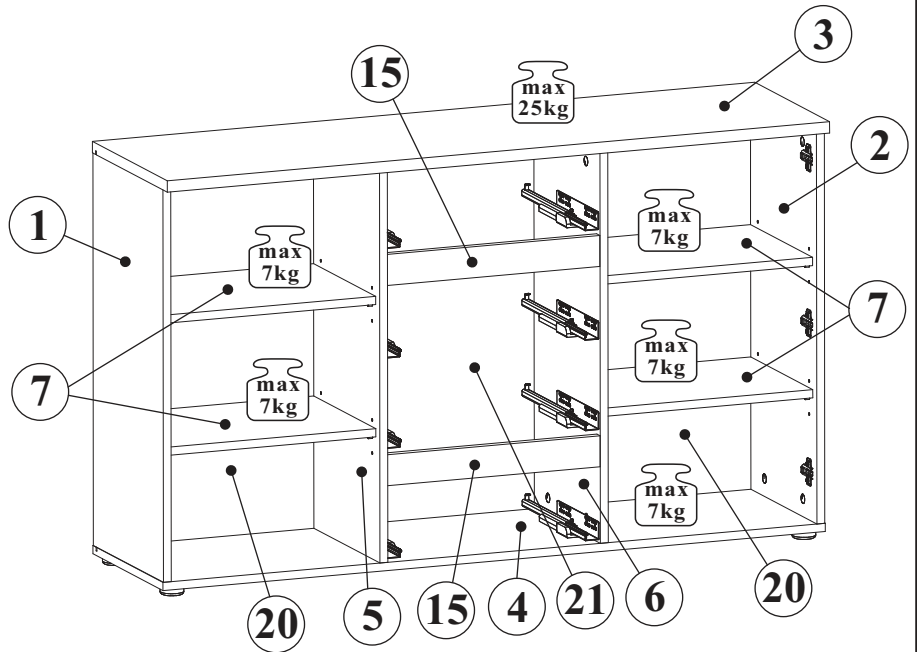
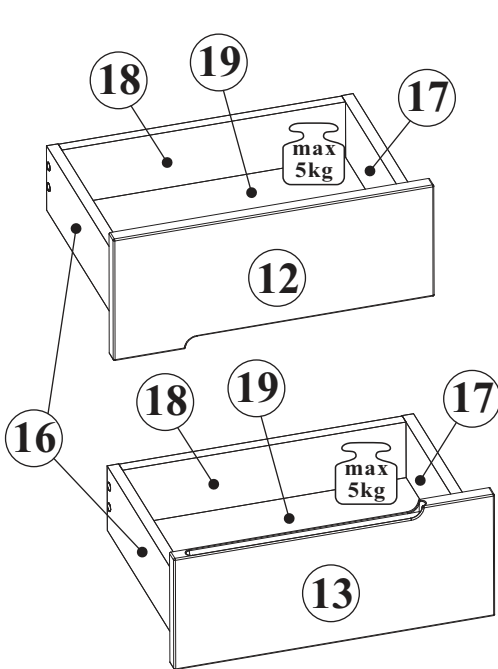
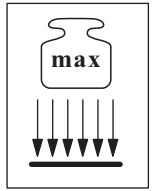
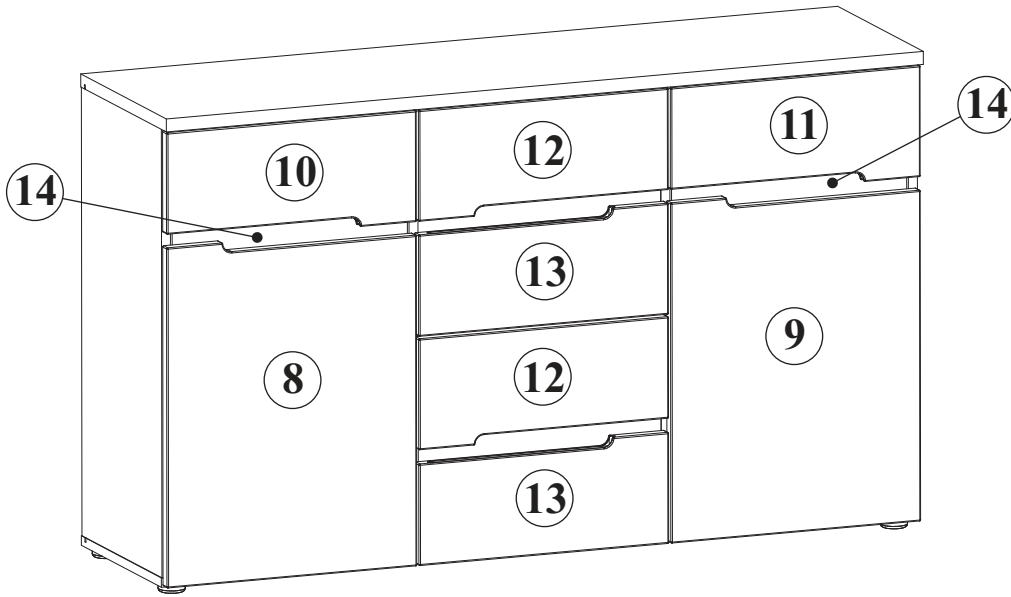
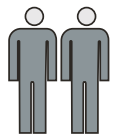


MEMPHIS 50 34--27

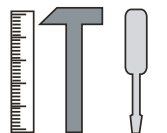


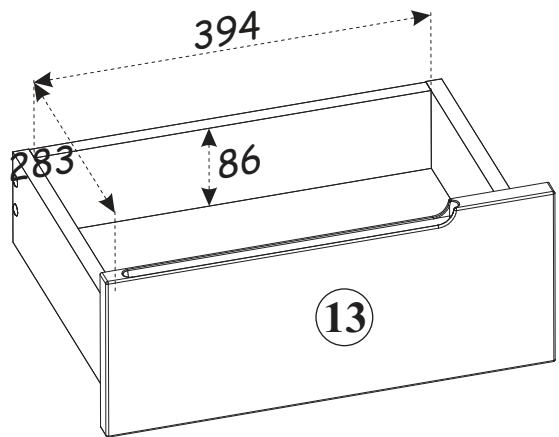
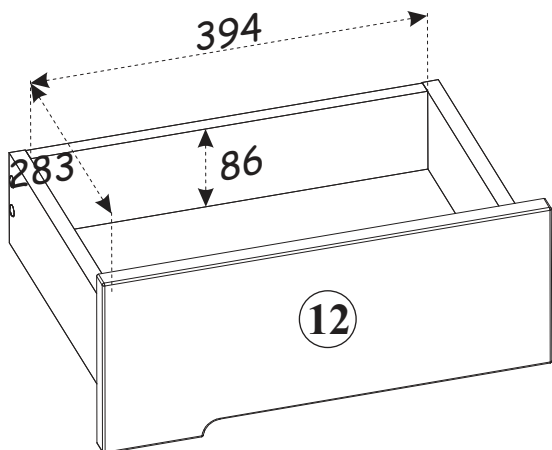
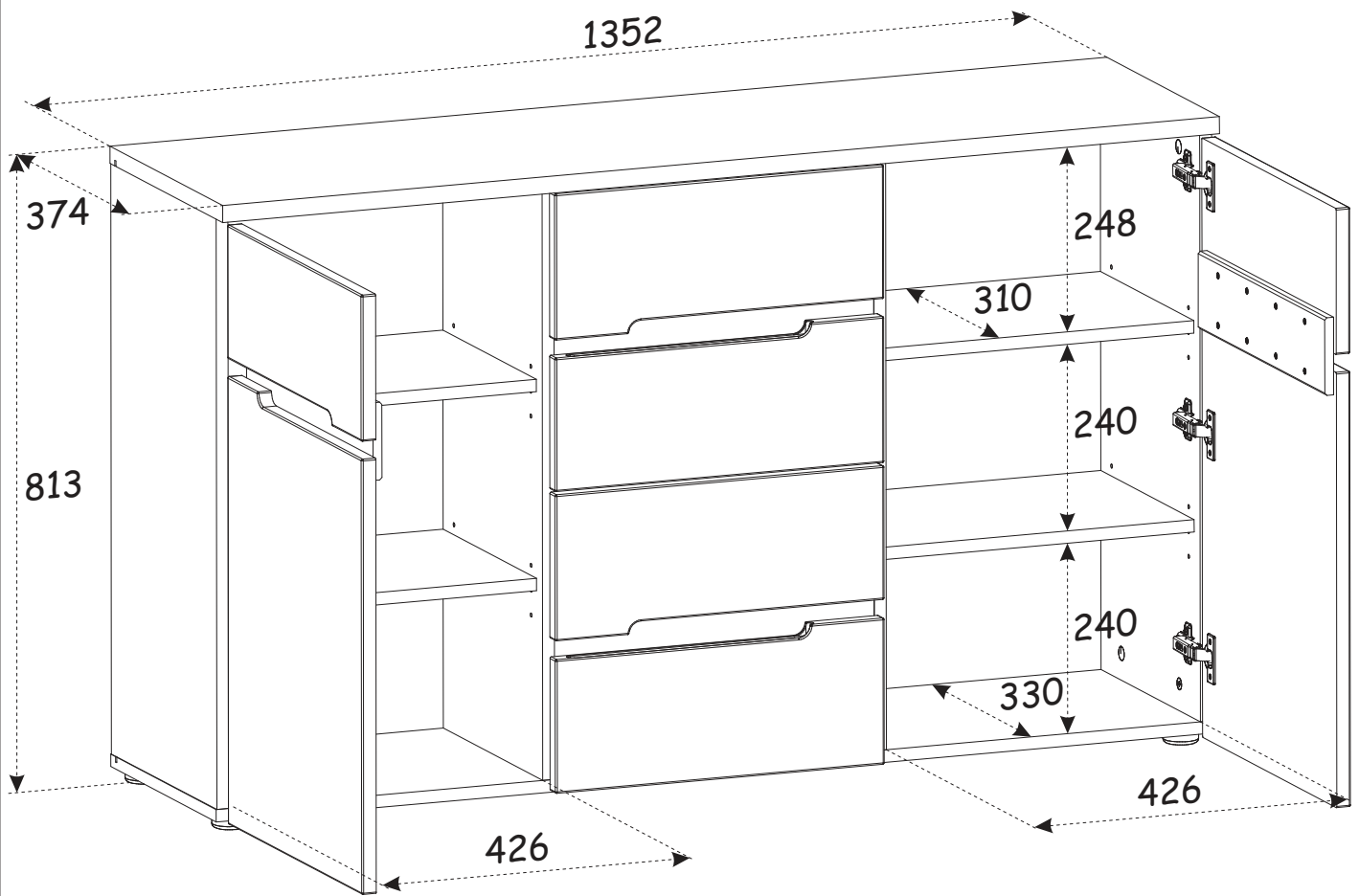
NO	Dim.			Col.-No	Qty
1	760	350	16	1	1
2	760	350	16	1	1
3	1352	374	22	1	1
4	1352	350	16	1	1
5	760	330	16	1	1
6	760	330	16	1	1
7	426	310	16	2	4
8	446	576	18	2	1
9	446	576	18	2	1
10	446	188	18	2	1
11	446	188	18	2	1
12	446	188	18	2	2
13	446	188	18	2	2
14	420	100	12	2	2

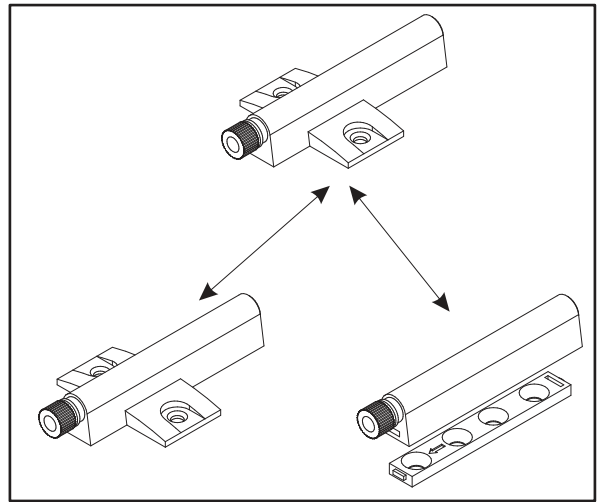
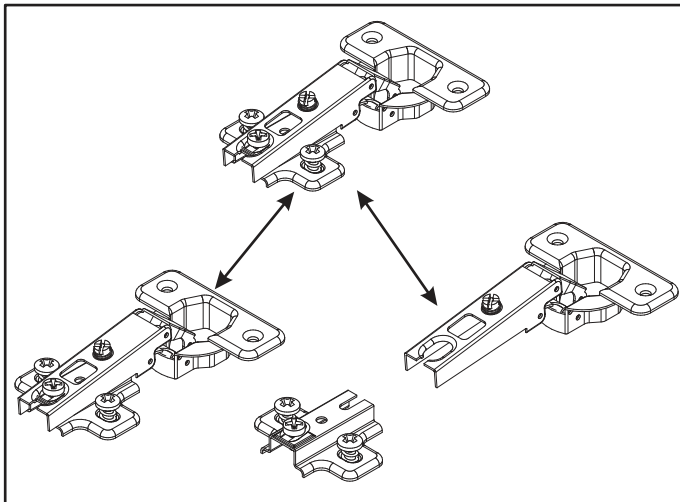
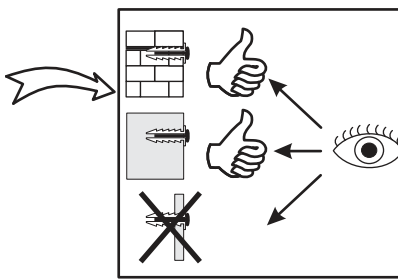
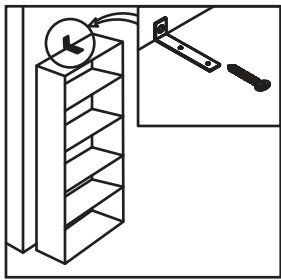
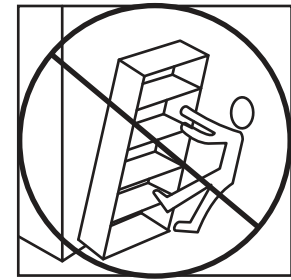
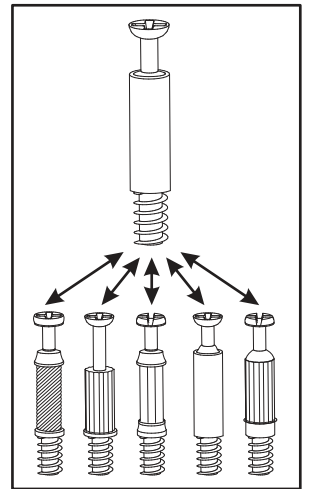
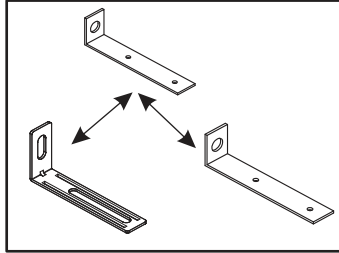
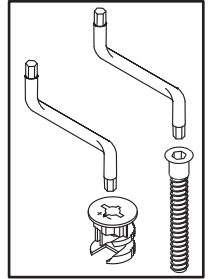
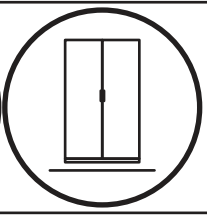
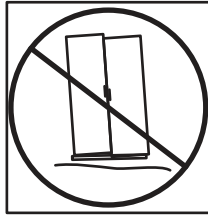
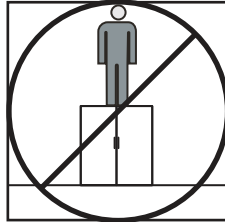
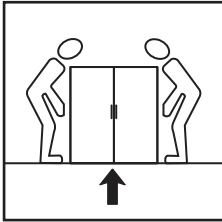
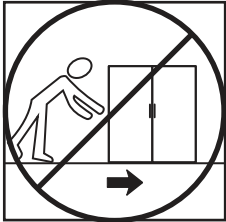
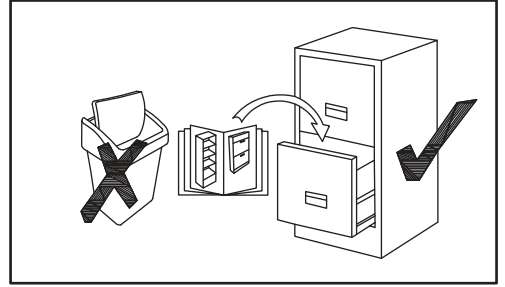
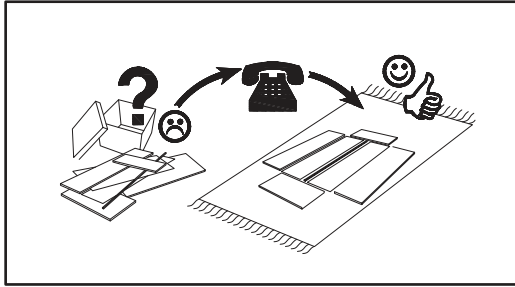
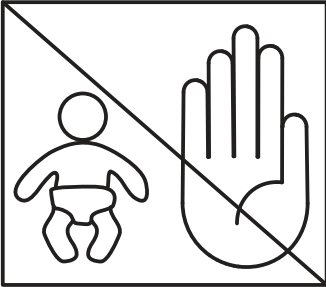
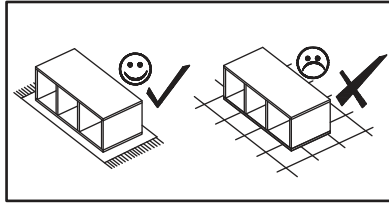
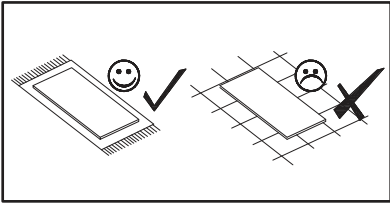
NO	Dim.			Col.-No	Qty
15	434	60	16	2	2
16	300	100	16	2	4
17	300	100	16	2	4
18	394	86	16	2	4
19	304	406	3	2	4
20	772	440	3	2	2
21	772	450	3	2	1



180 min

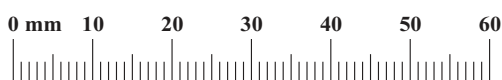
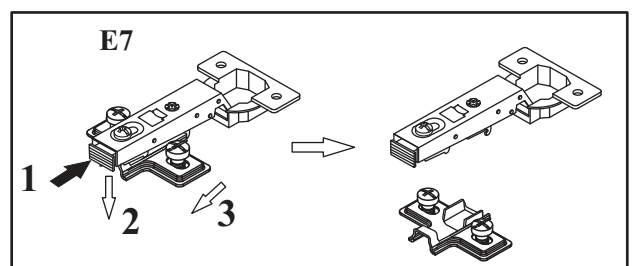
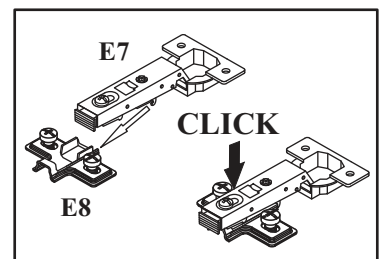




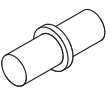
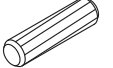

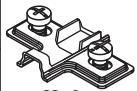


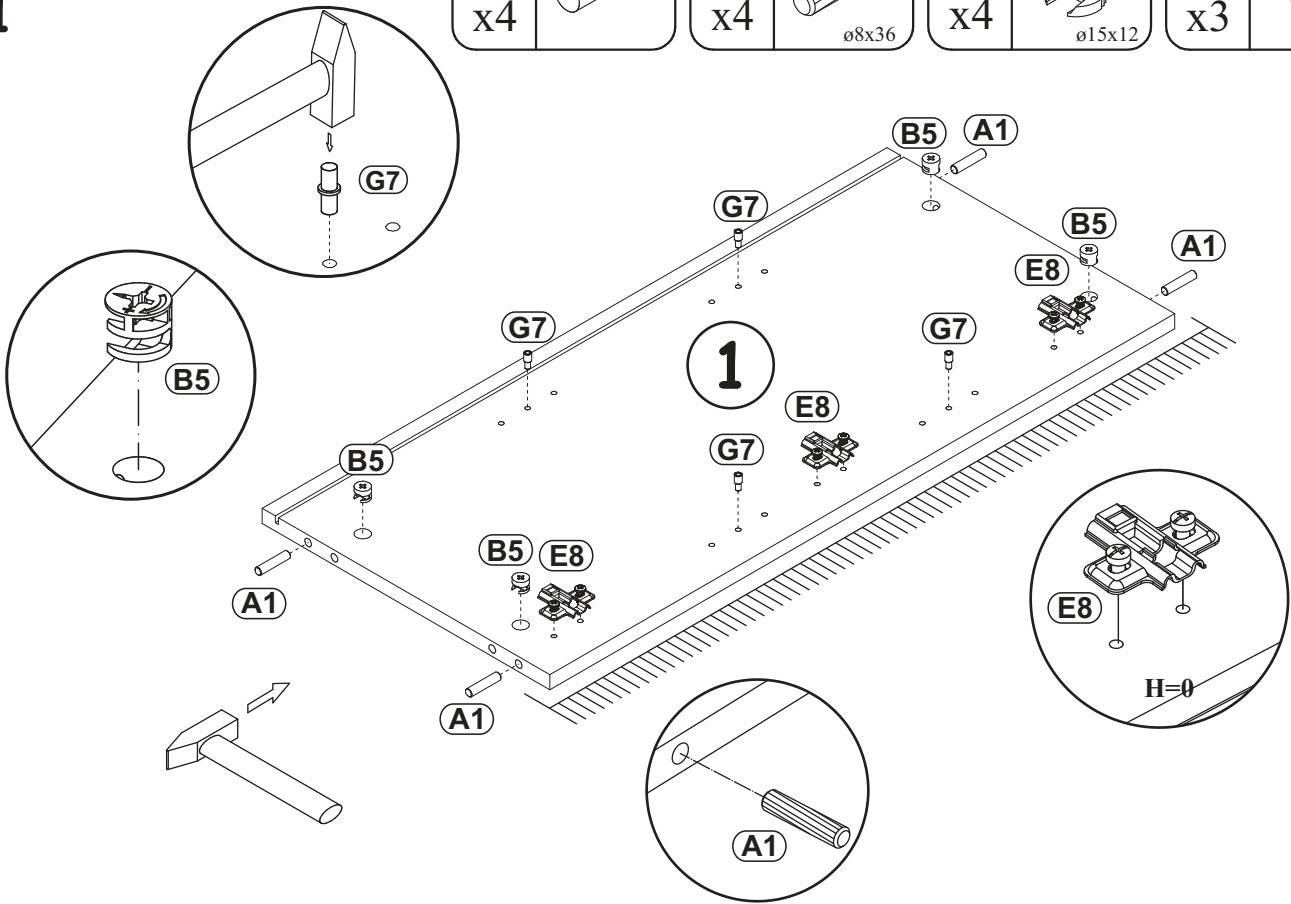
MEMPHIS 50 34 -- 27

A1 x28 ø8x36	B4 x28	B5 x28 ø15x12	G5 x28	B11 x16 Ø7x50	G4 x16
E7 x6 Ø35 H=0	E8 x6 H=0	QU x4 L-300	I11 x6 Ø45, h=15	G7 x16	S1 x22
D20 x16 ESØ6x9,5	D10 x30 USØ3,5x13	UP11 x6 UPØ4x20	UP13 x18 UPØ3x16	UP6 x16 UPØ4x30	G16 x6
L1 x1	KR1 x1	G2 x1			

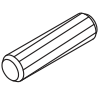





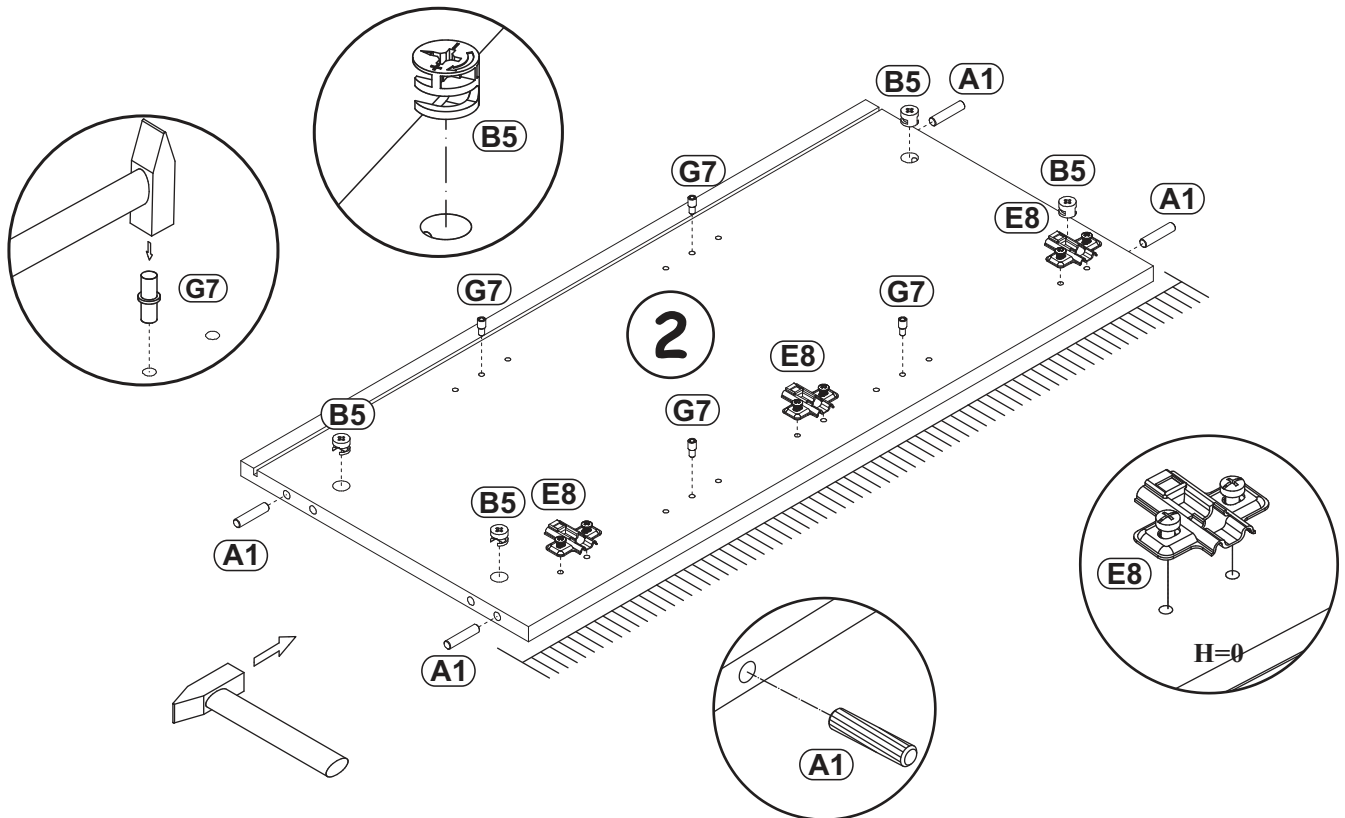
1

G7		A1		B5		E8	
x4		x4	ø8x36	x4	ø15x12	x3	H=0

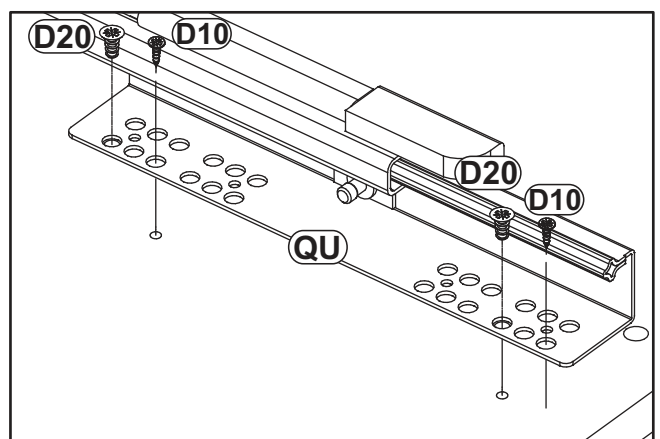
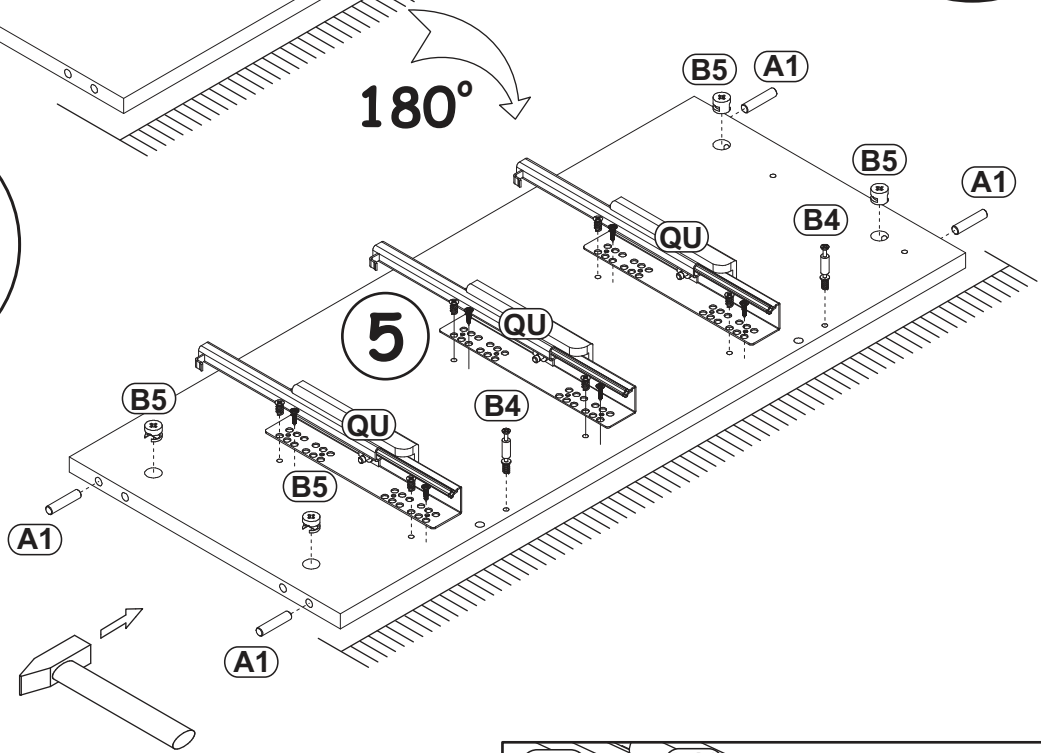
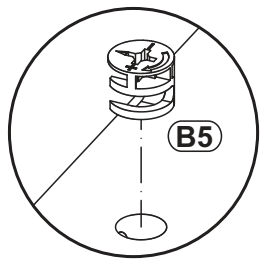
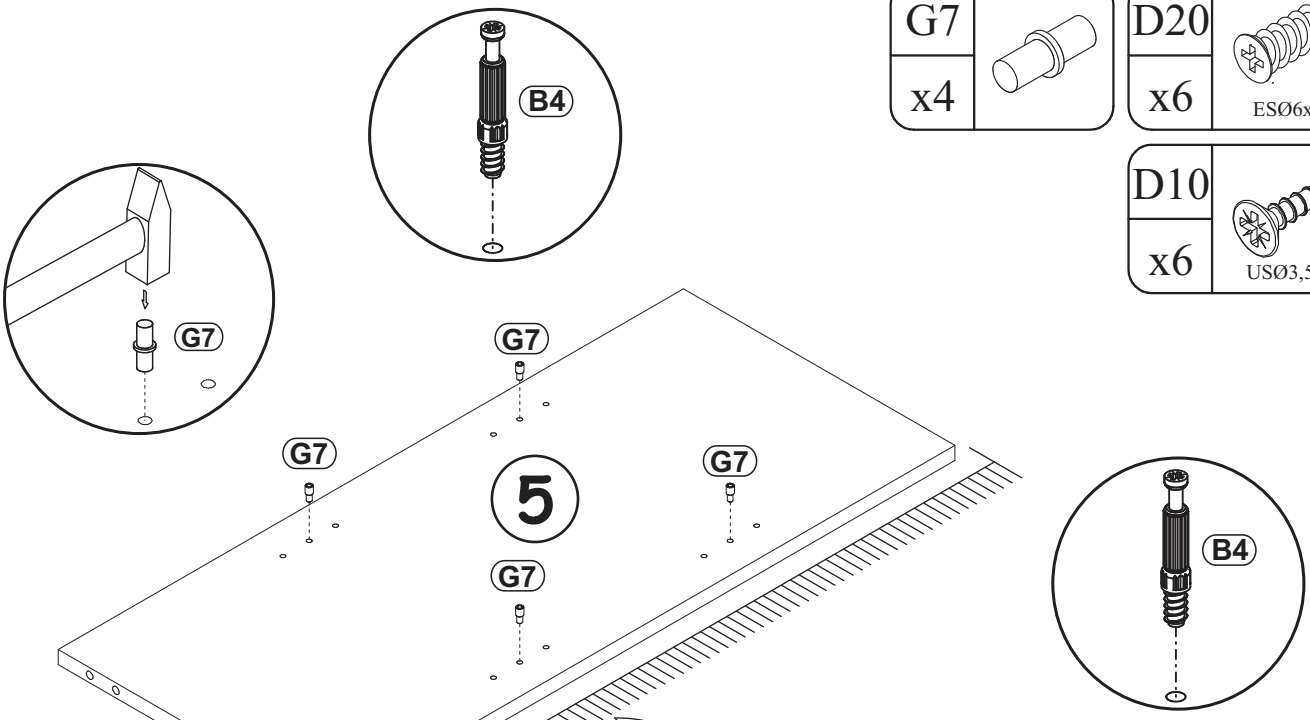
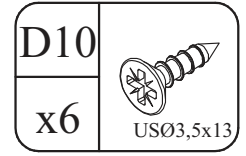
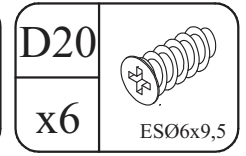
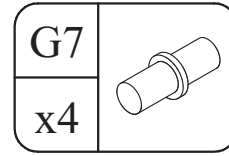
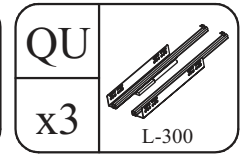
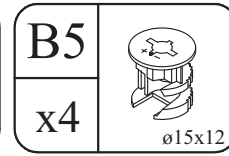
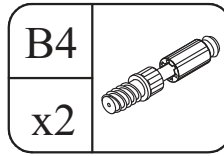
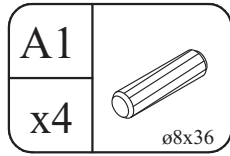


2

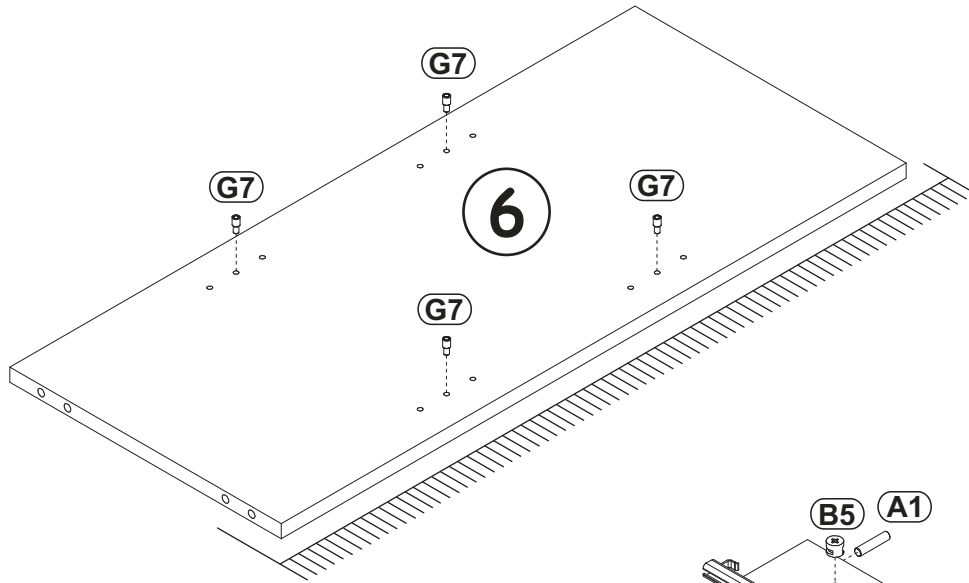
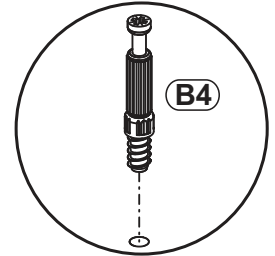
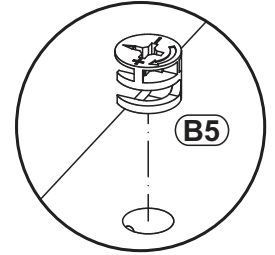
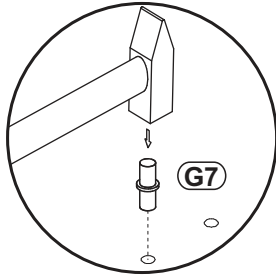
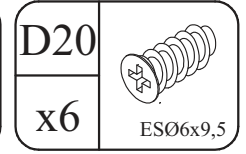
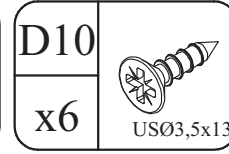
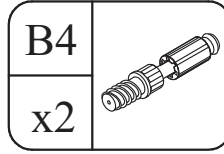
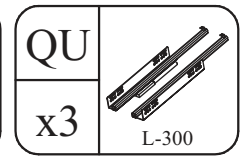
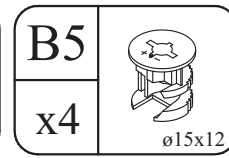
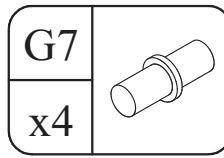
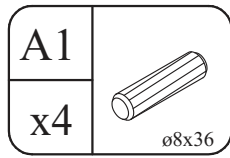
A1		G7		B5		E8	
x4	ø8x36	x4		x4	ø15x12	x3	H=0



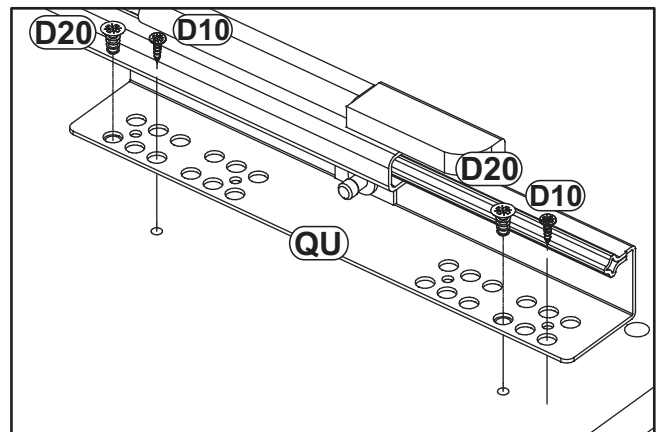
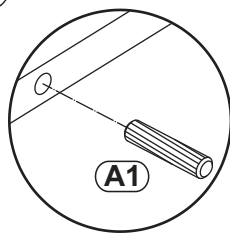
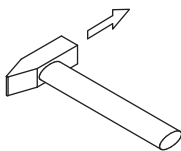
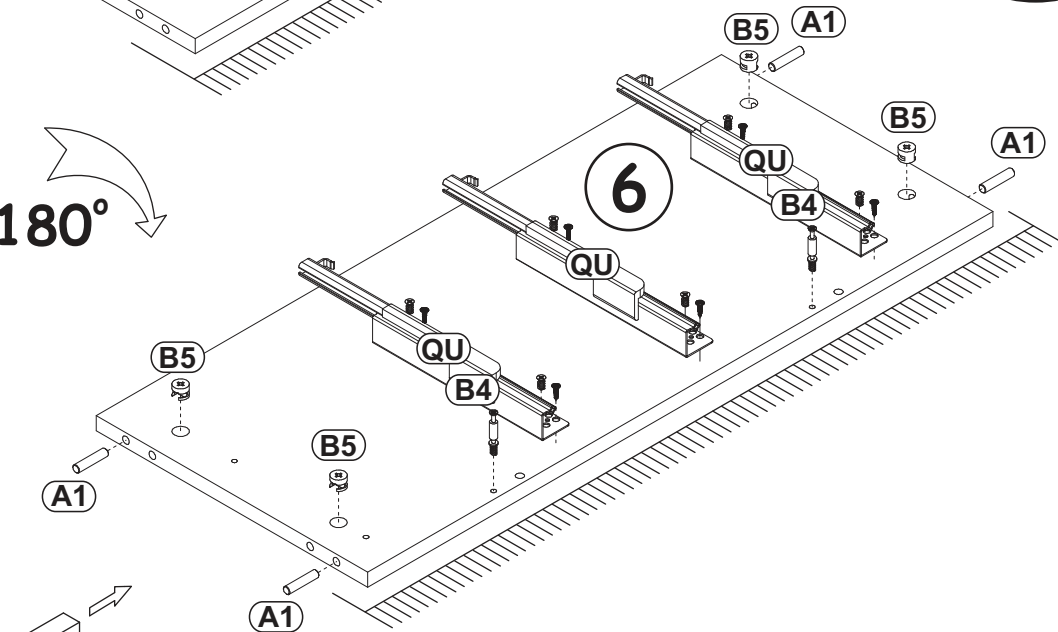
3

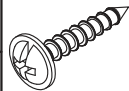
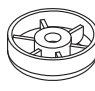
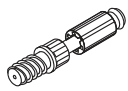


4

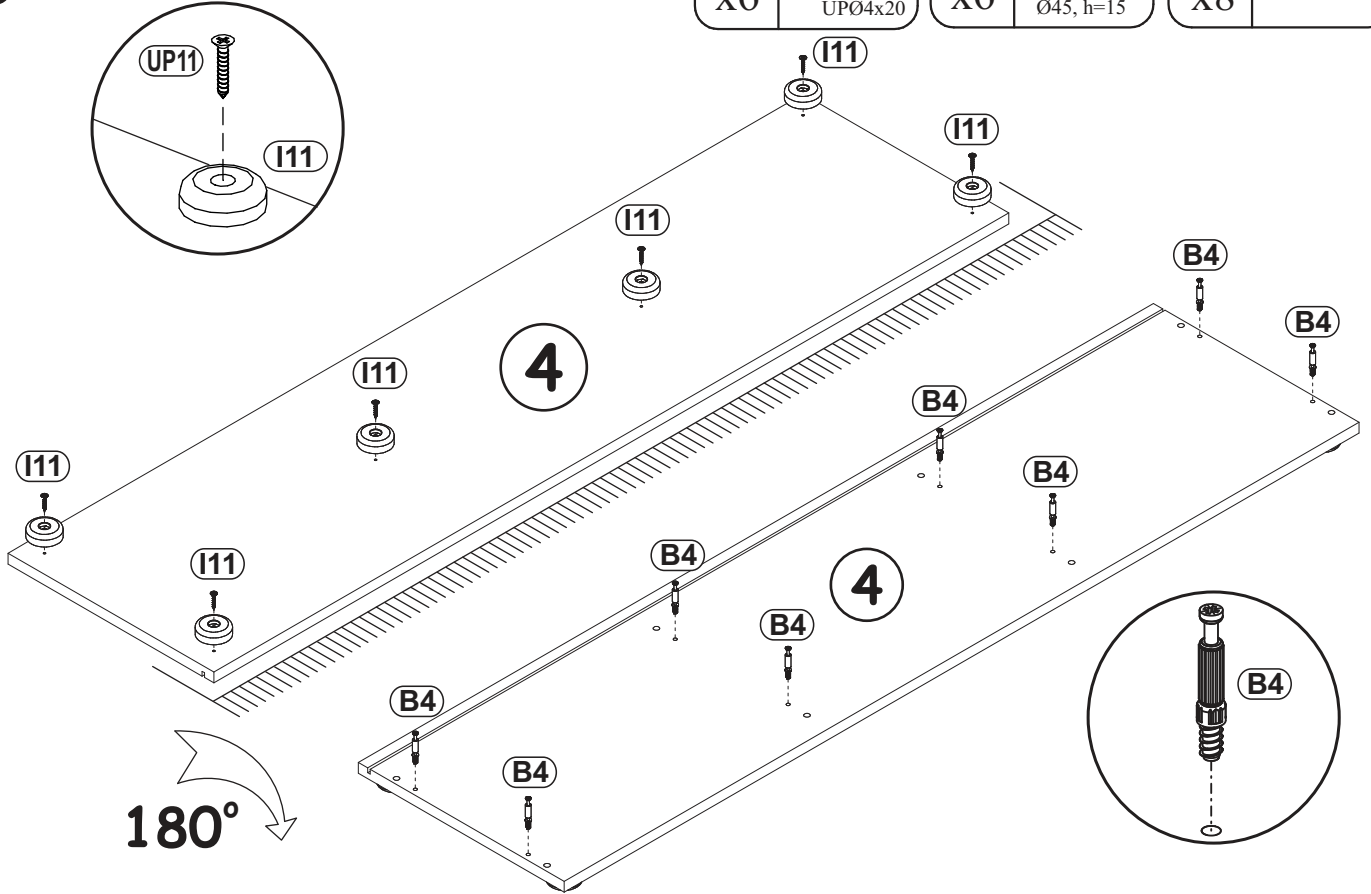


180°

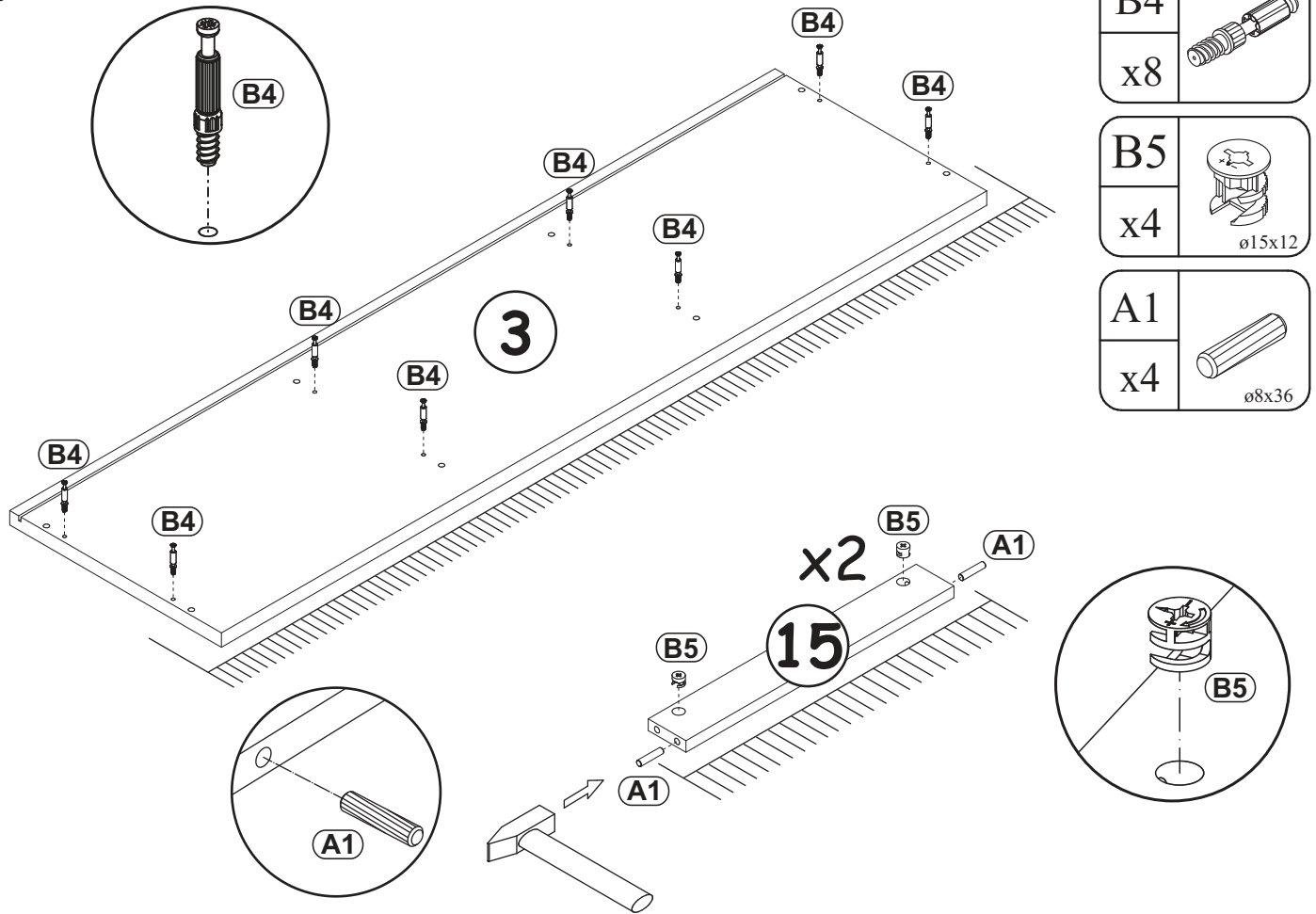


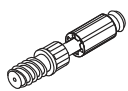
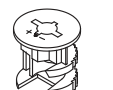
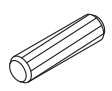
UP11		I11		B4	
x6	UPØ4x20	x6	Ø45, h=15	x8	

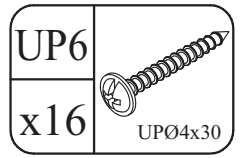
5



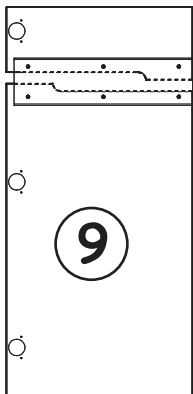
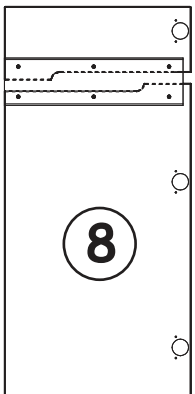
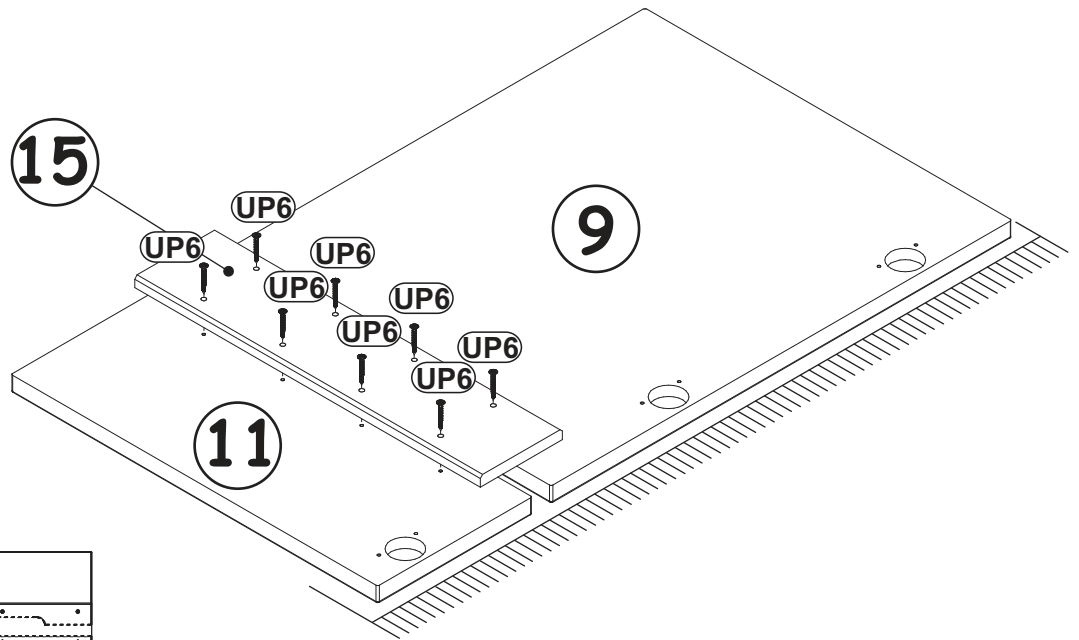
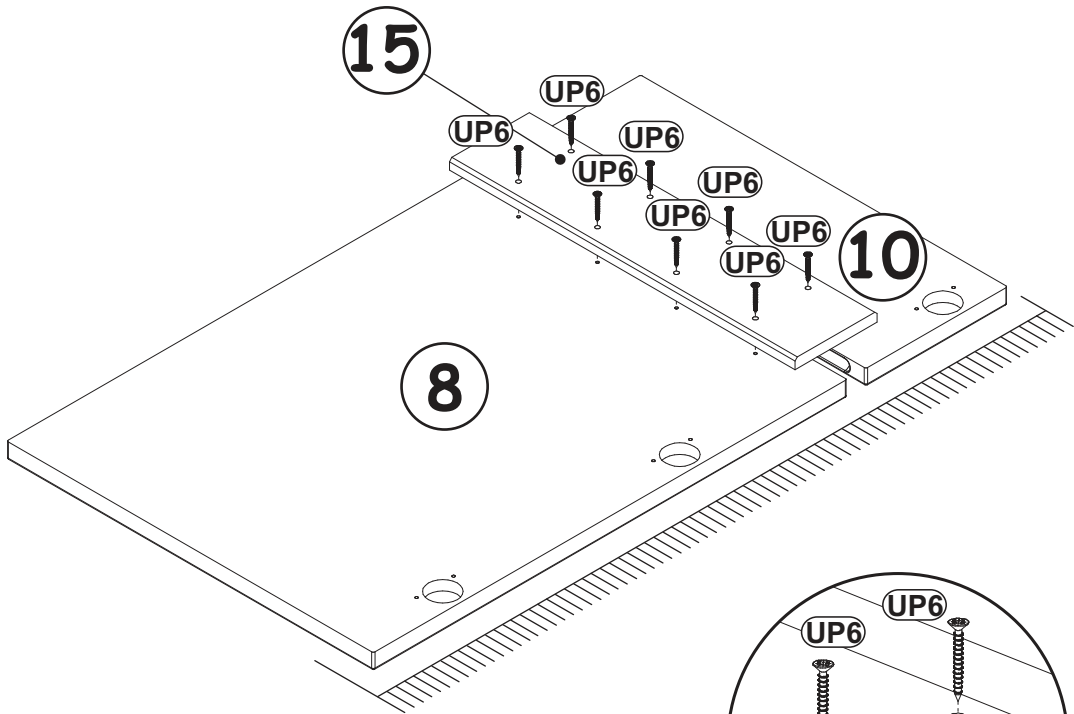
6



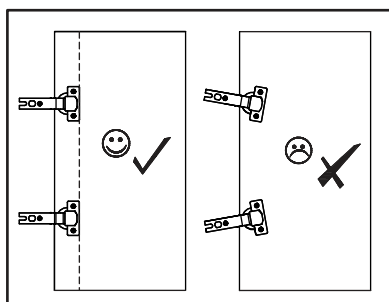
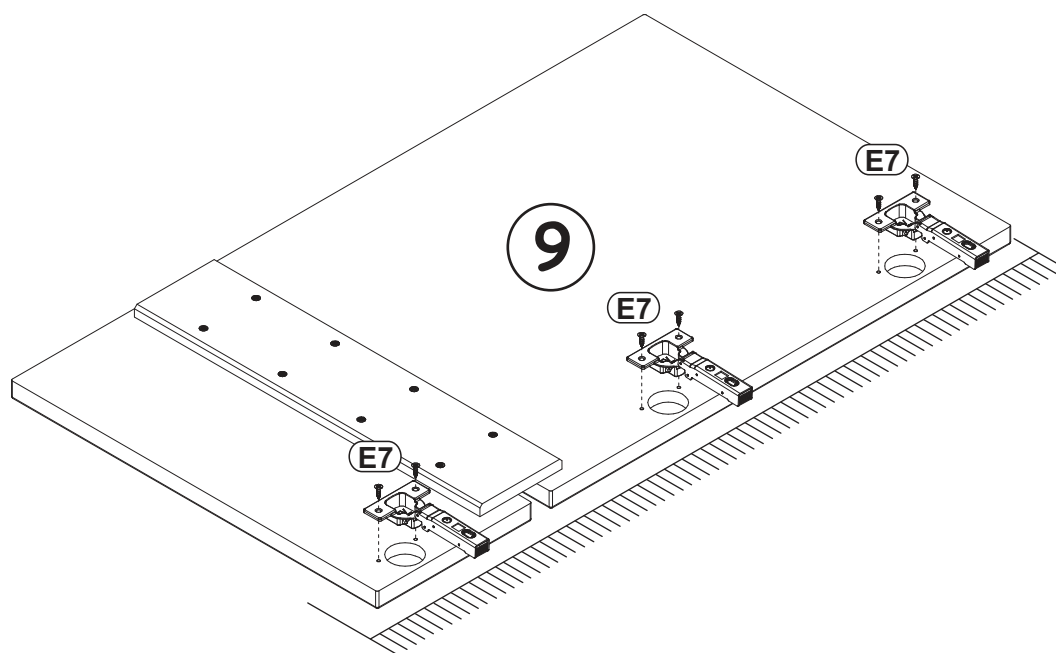
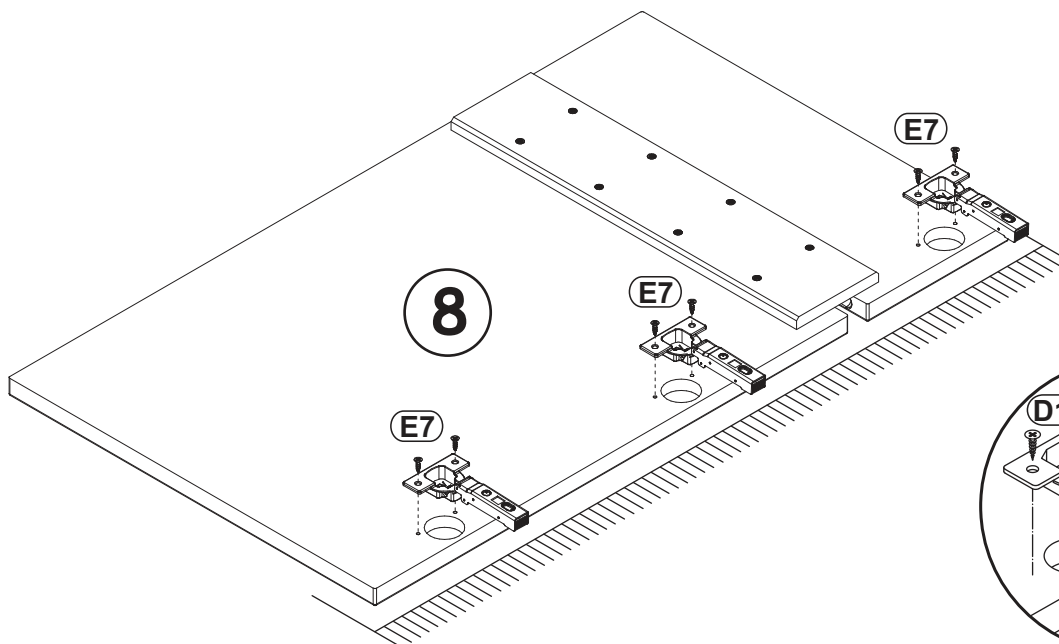
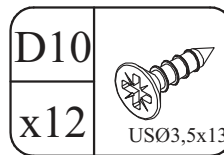
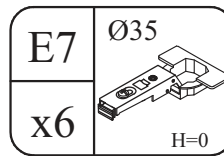
B4	
x8	
B5	
x4	Ø15x12
A1	
x4	Ø8x36

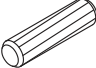



7

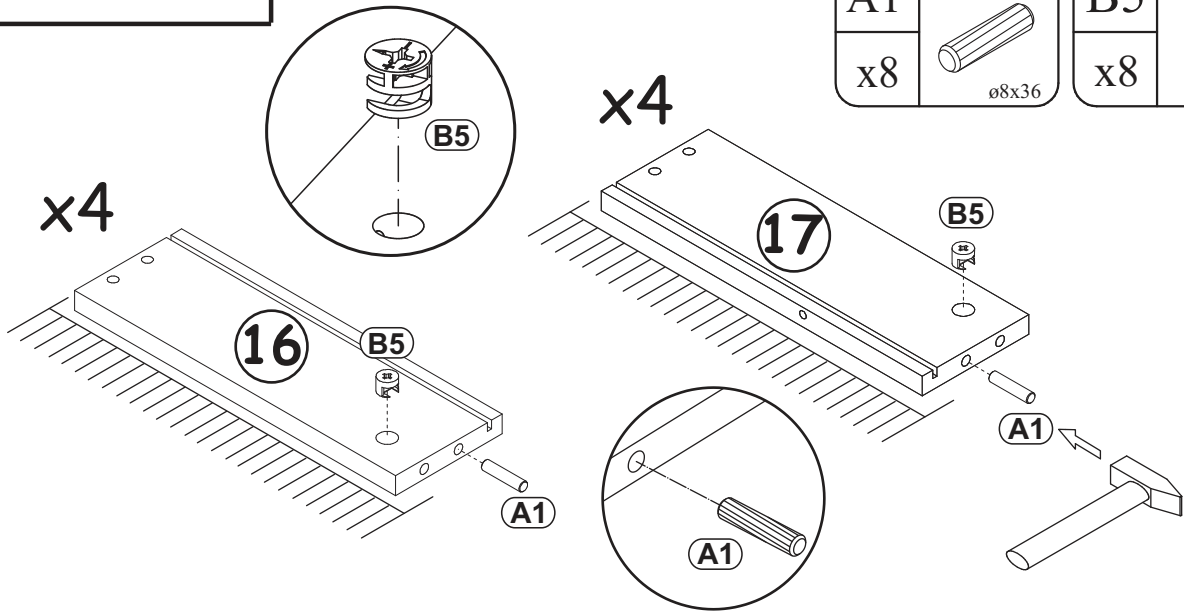


7

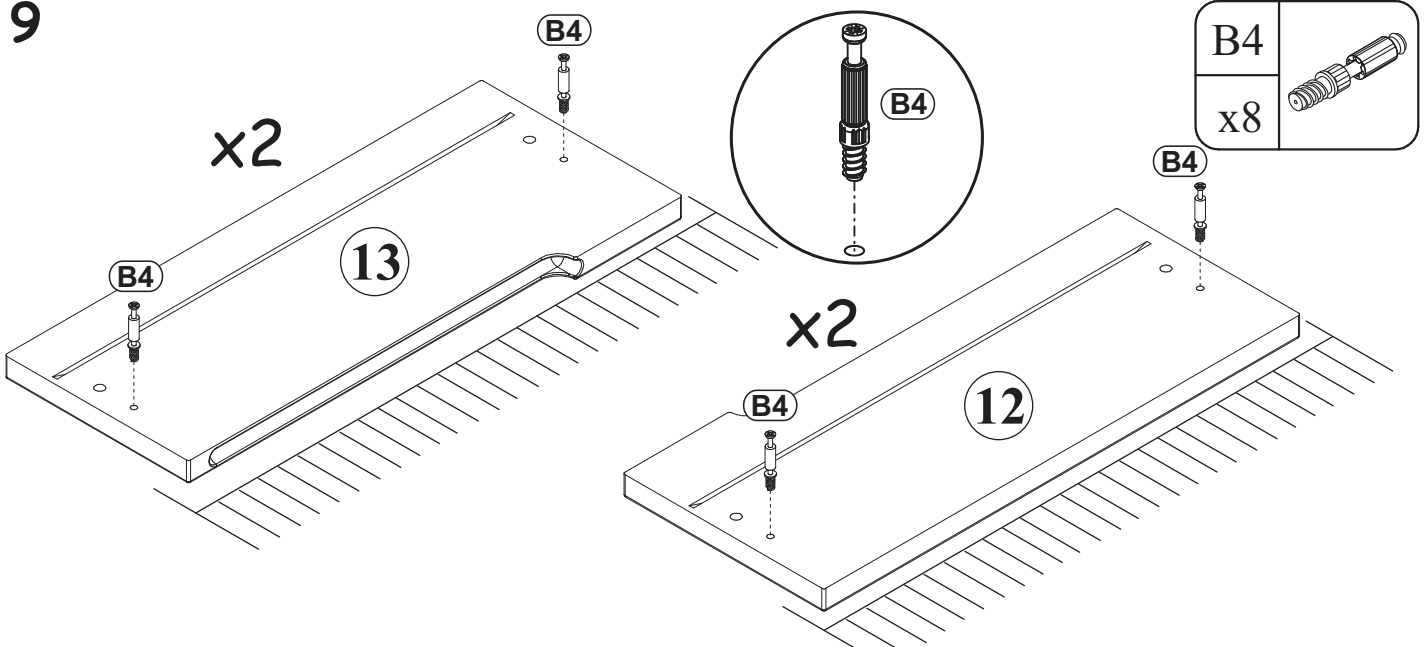


A1		B5	
x8	ø8x36	x8	ø15x12

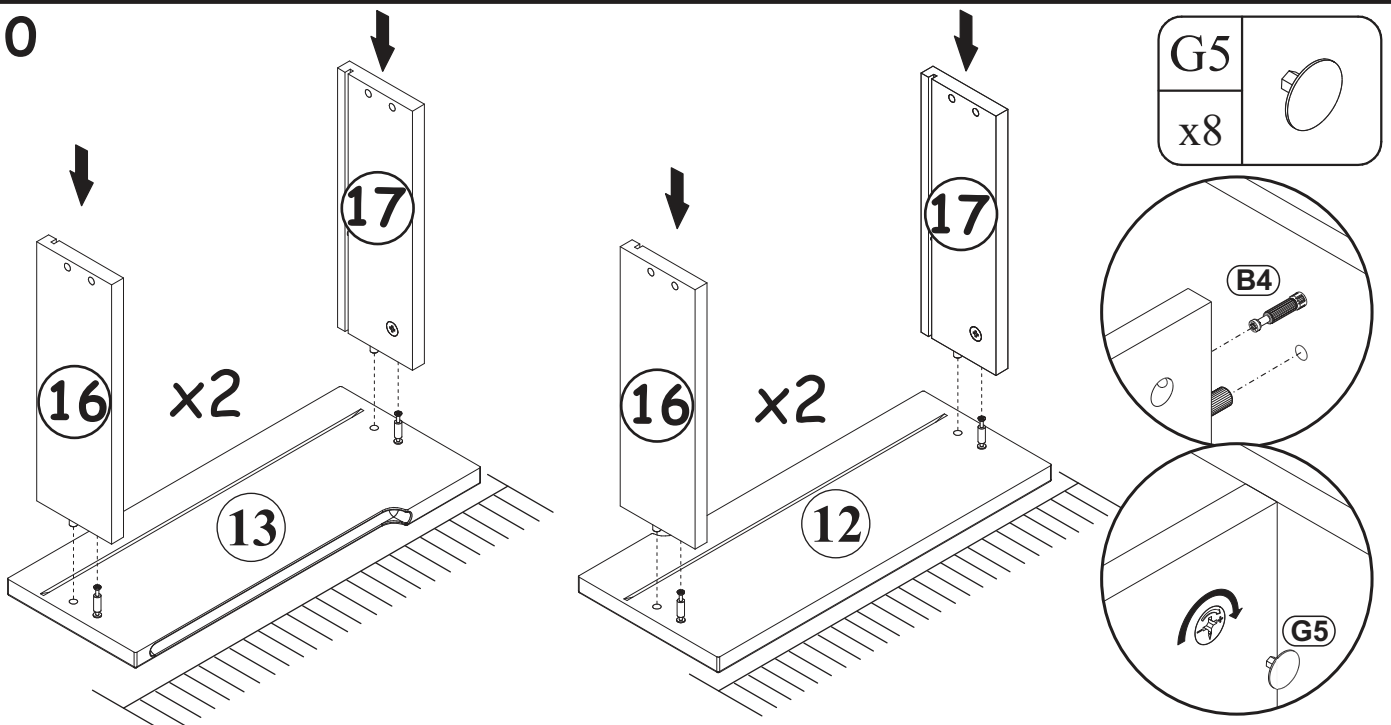
8



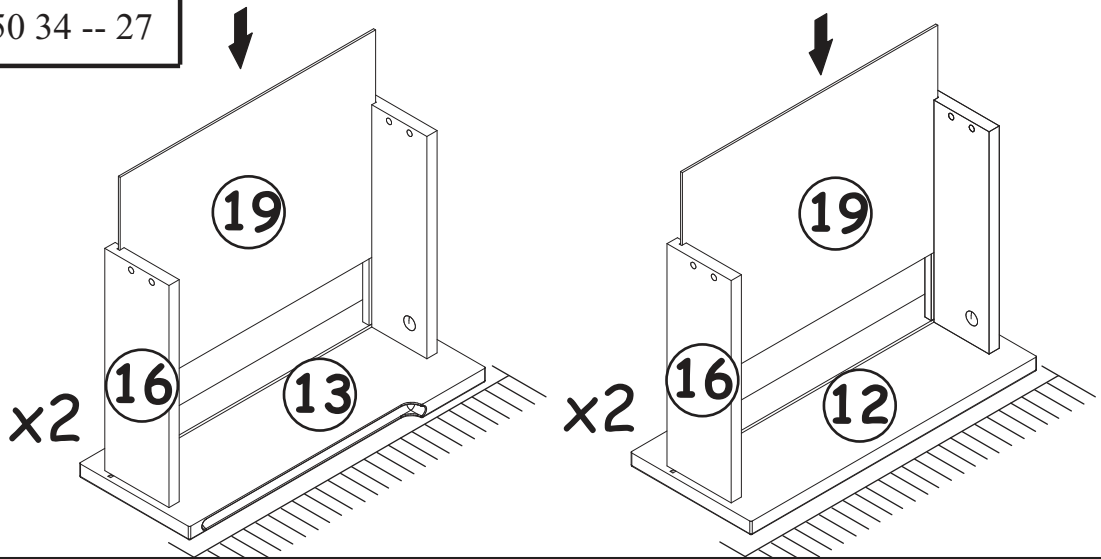
9



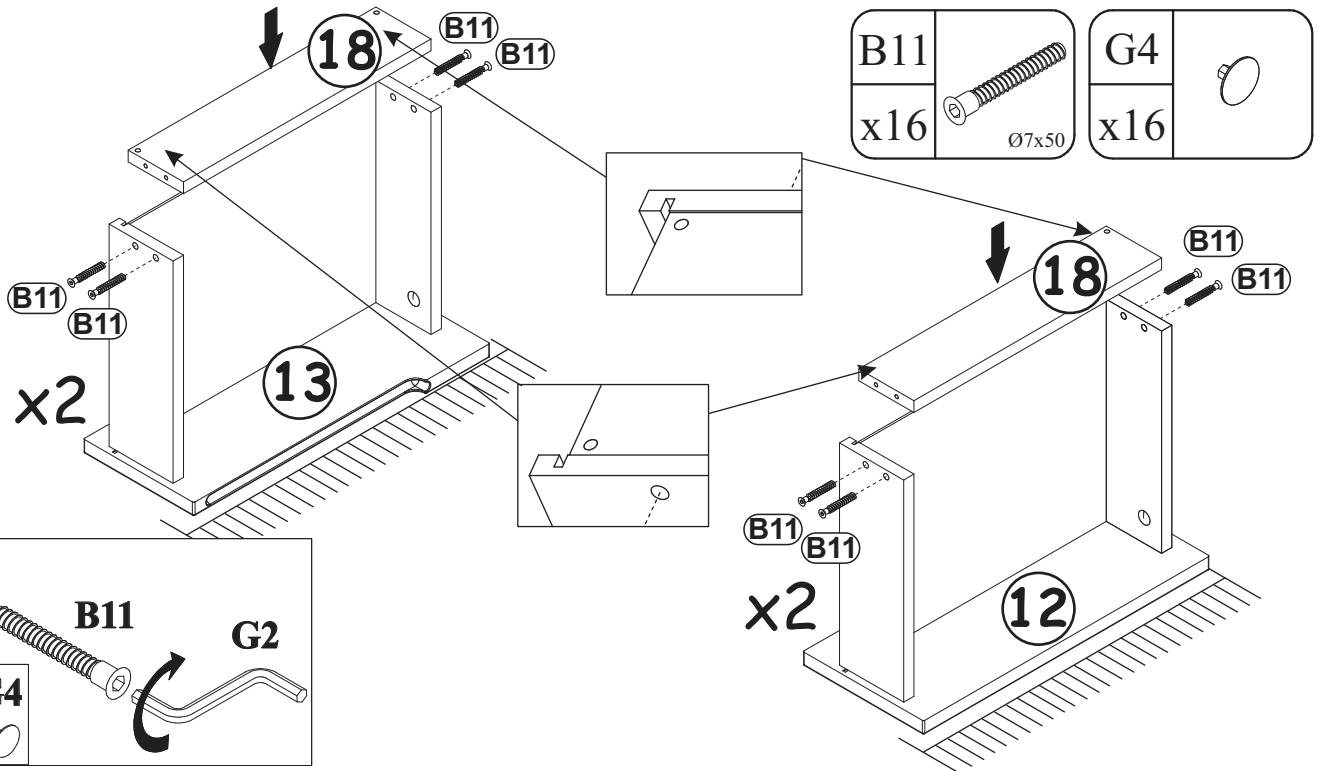
10



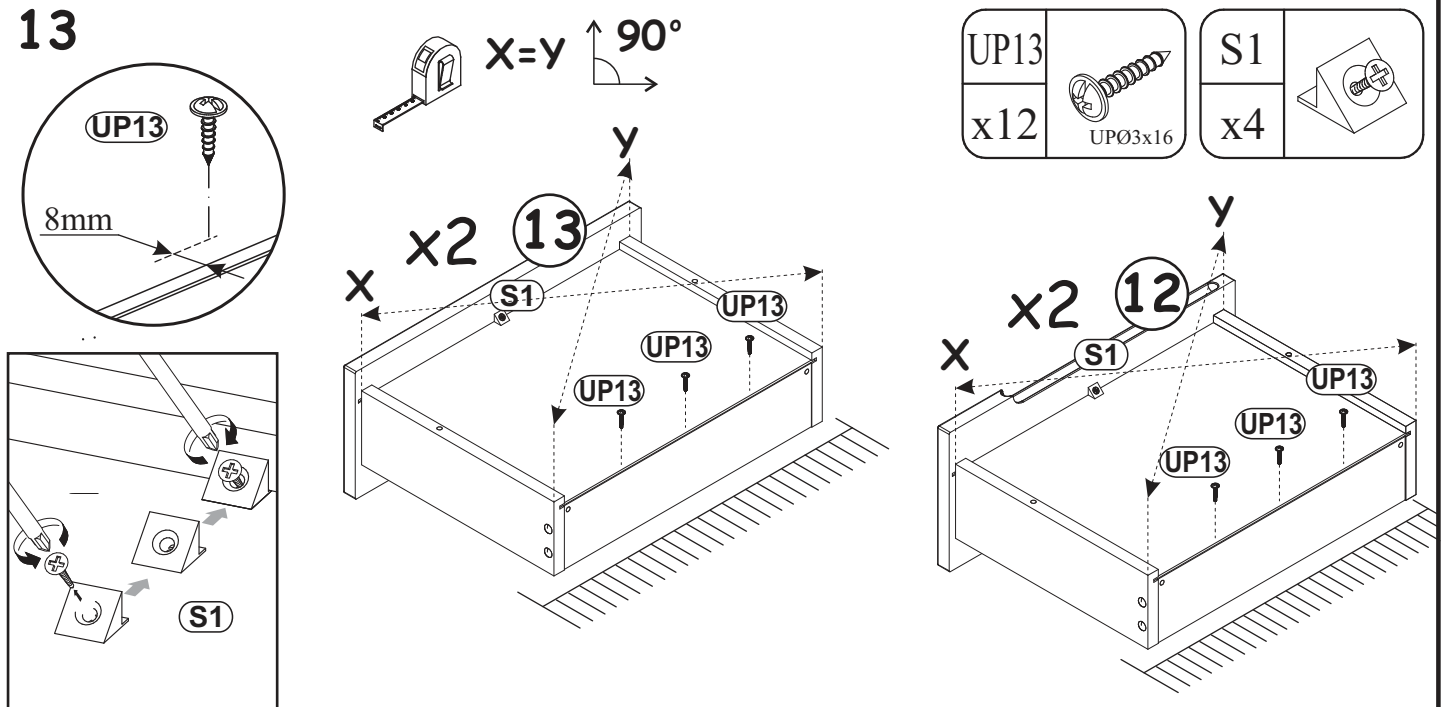
11




12

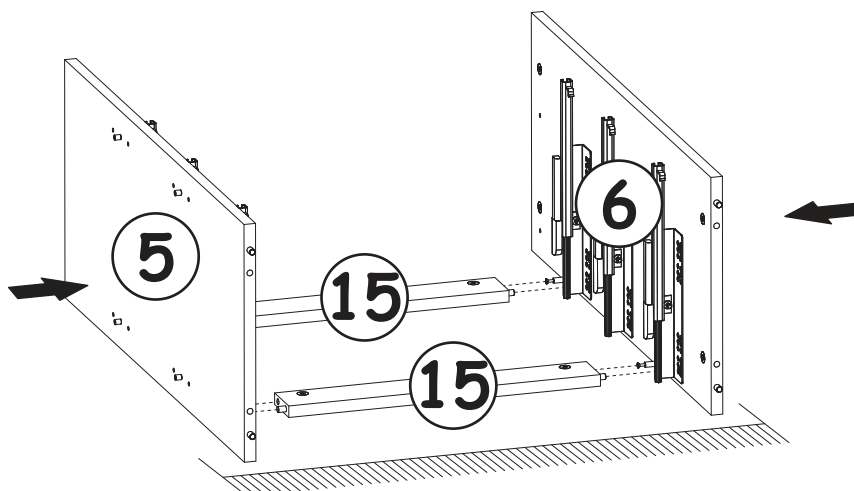


13

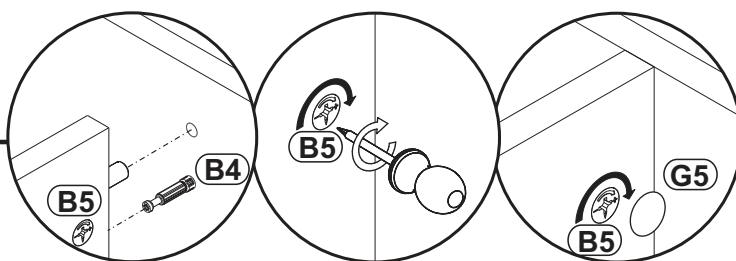



14

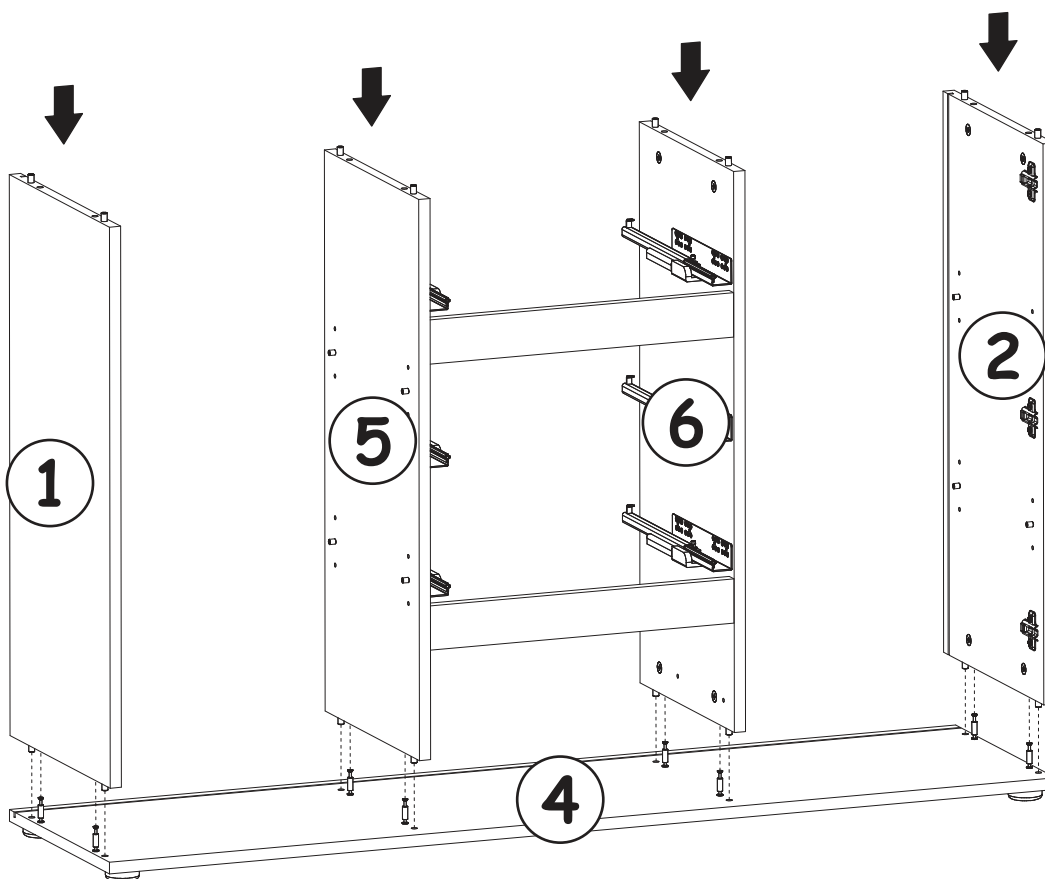
G5	
x4	



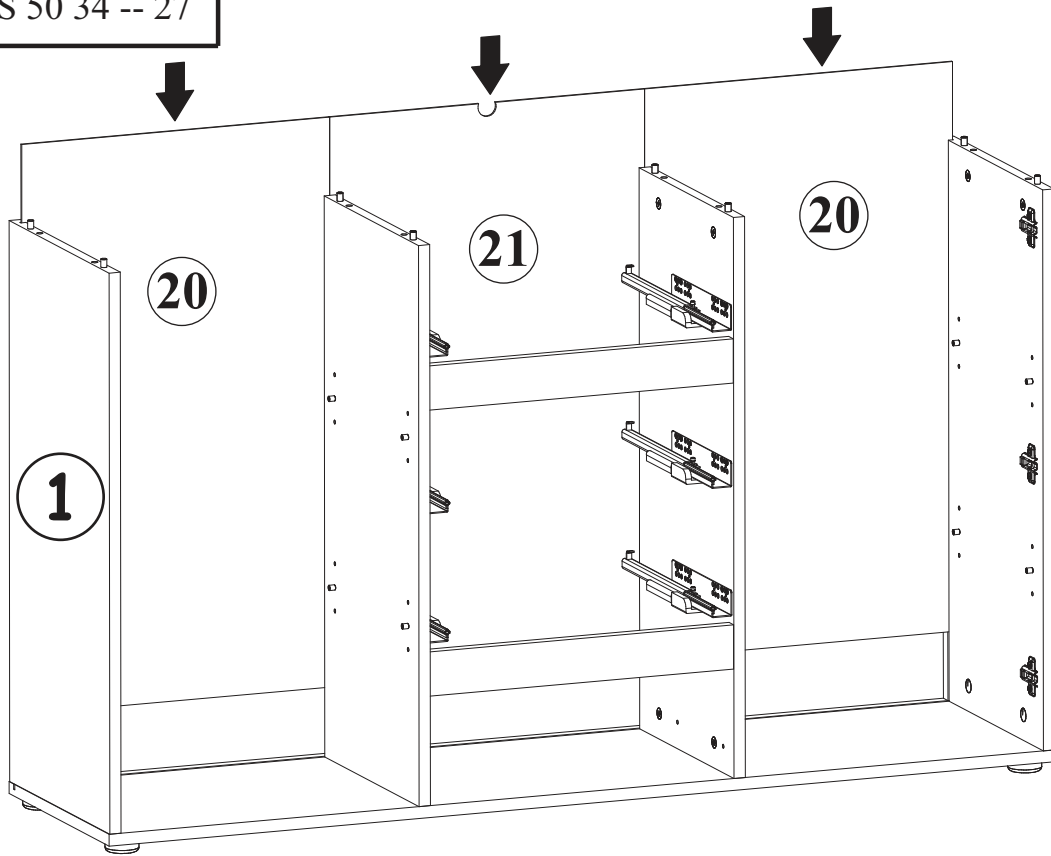
15



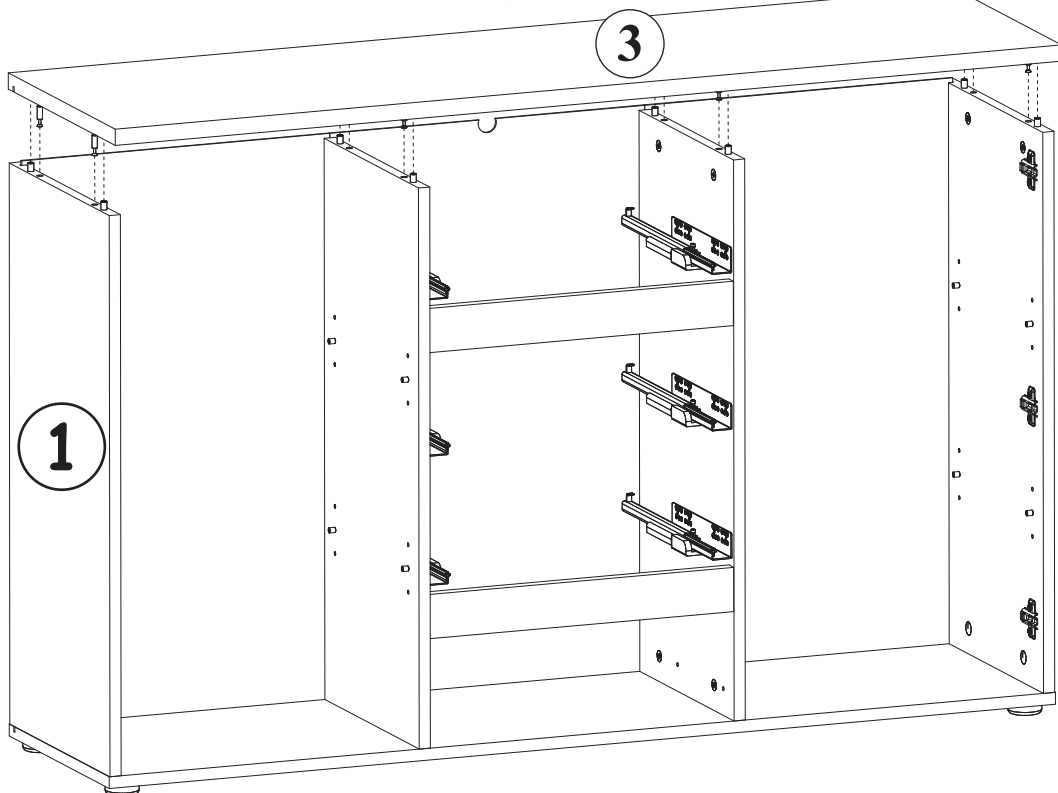
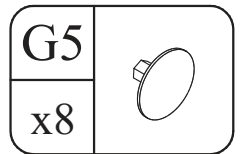
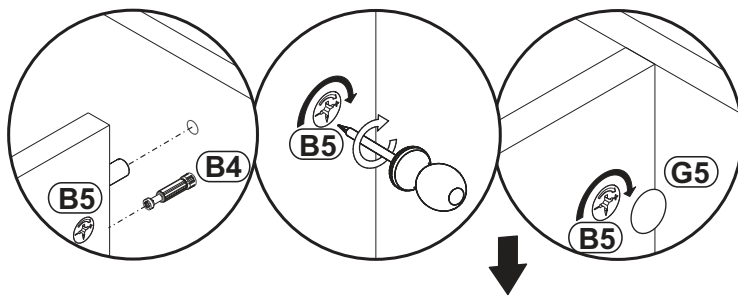
G5	
x8	



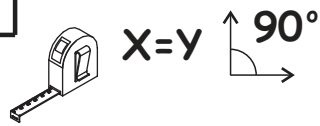
18


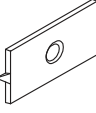
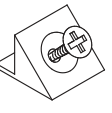


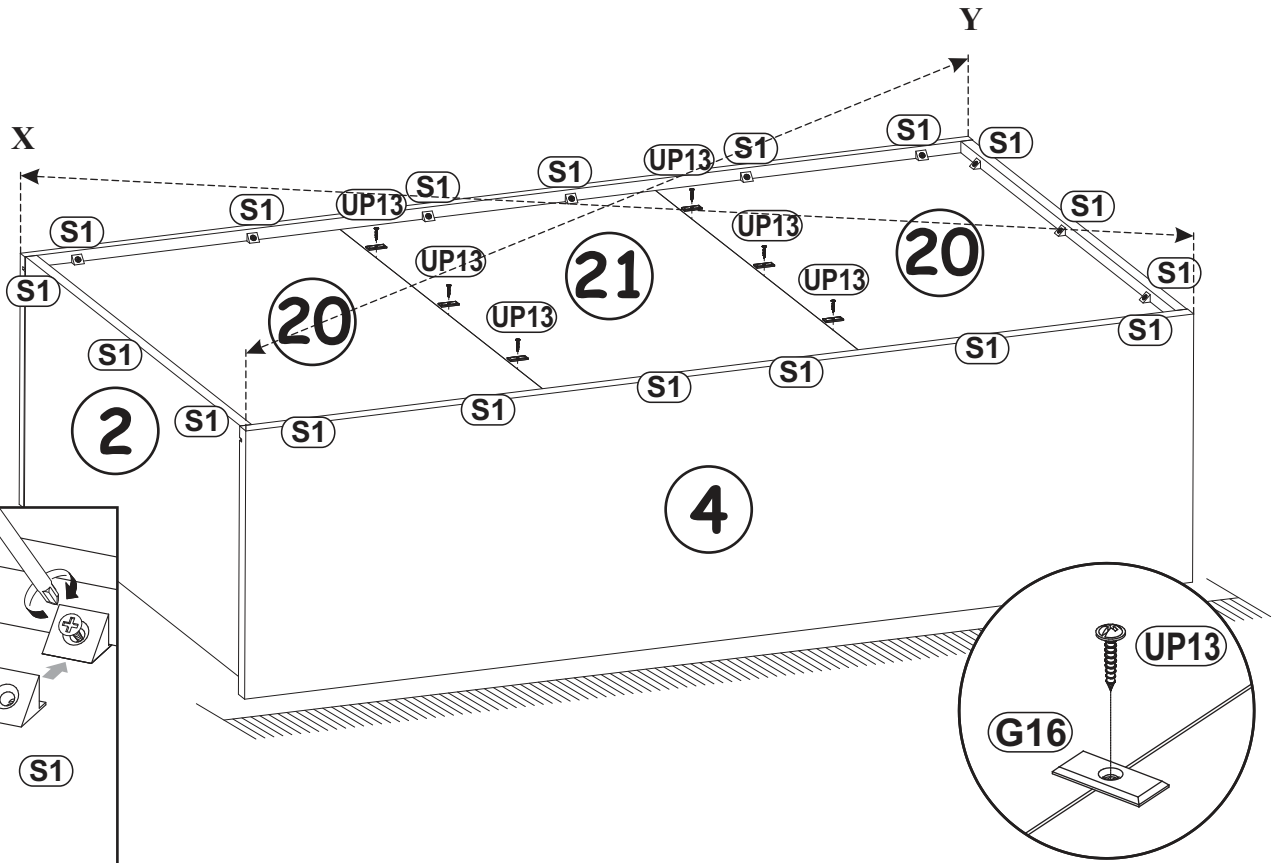
19






20

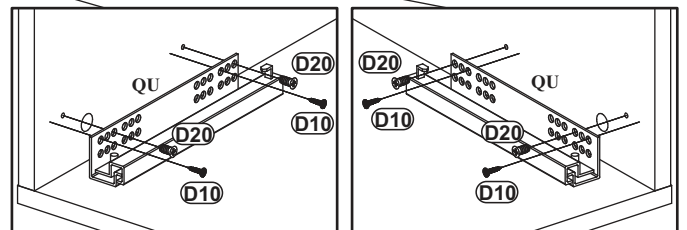
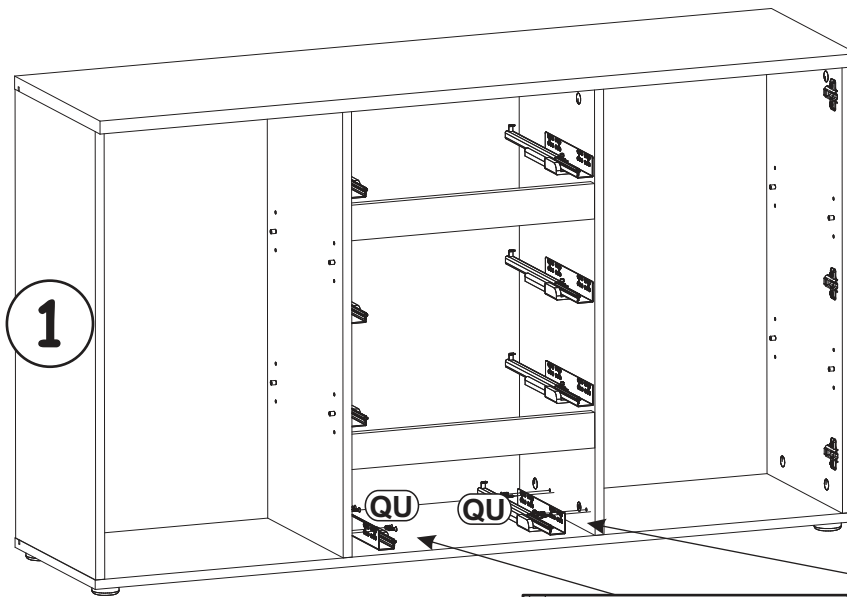


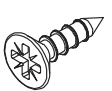
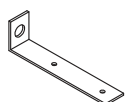

UP13 x6	 UPØ3x16	G16 x6		S1 x18	
------------	---	-----------	---	-----------	---



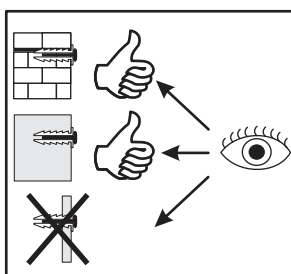
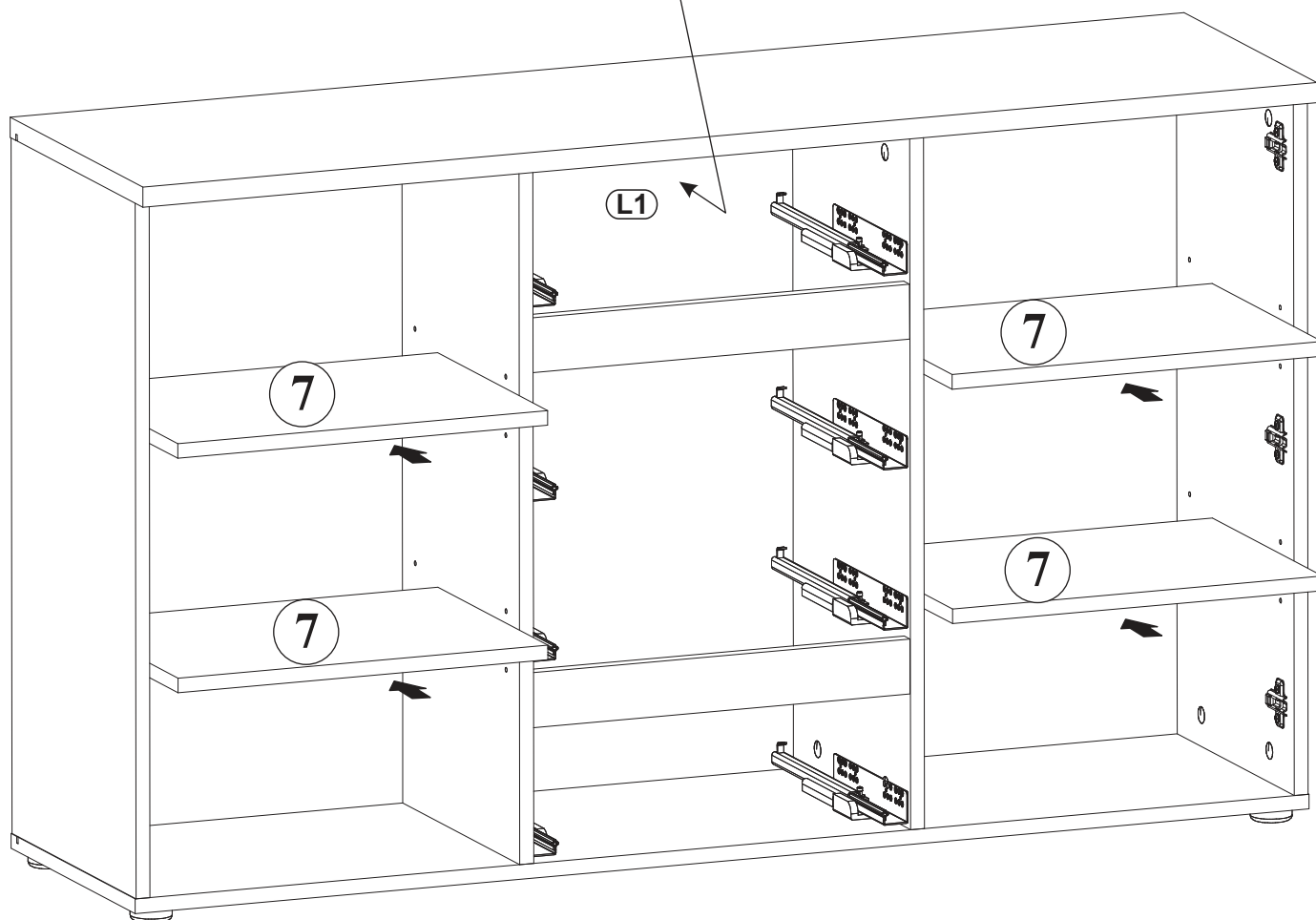
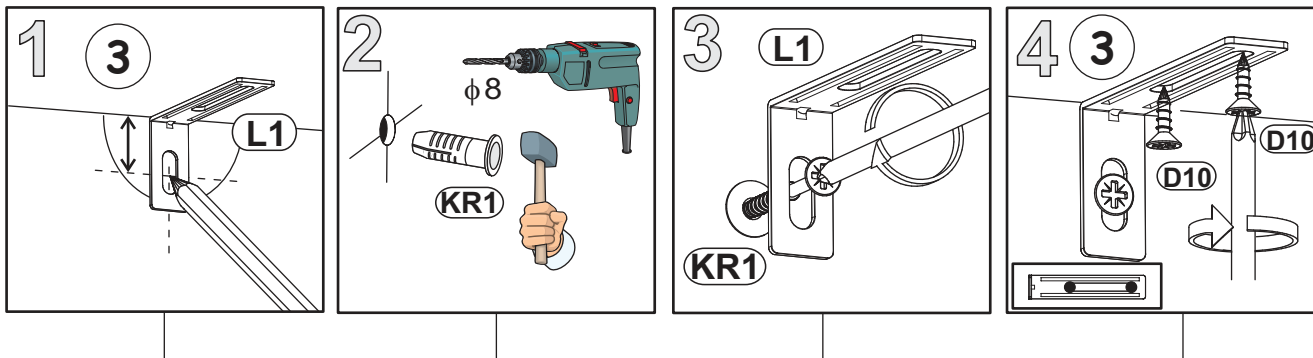
20

D20 x4	 ESØ6x9,5	D10 x4	 USØ3,5x13	QU x1	 L-300
-----------	--	-----------	--	----------	--

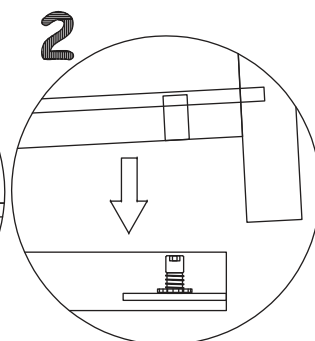
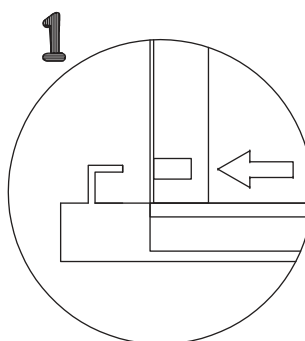
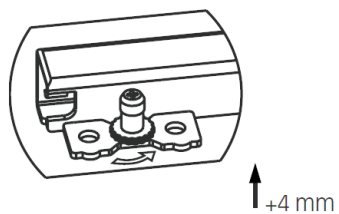
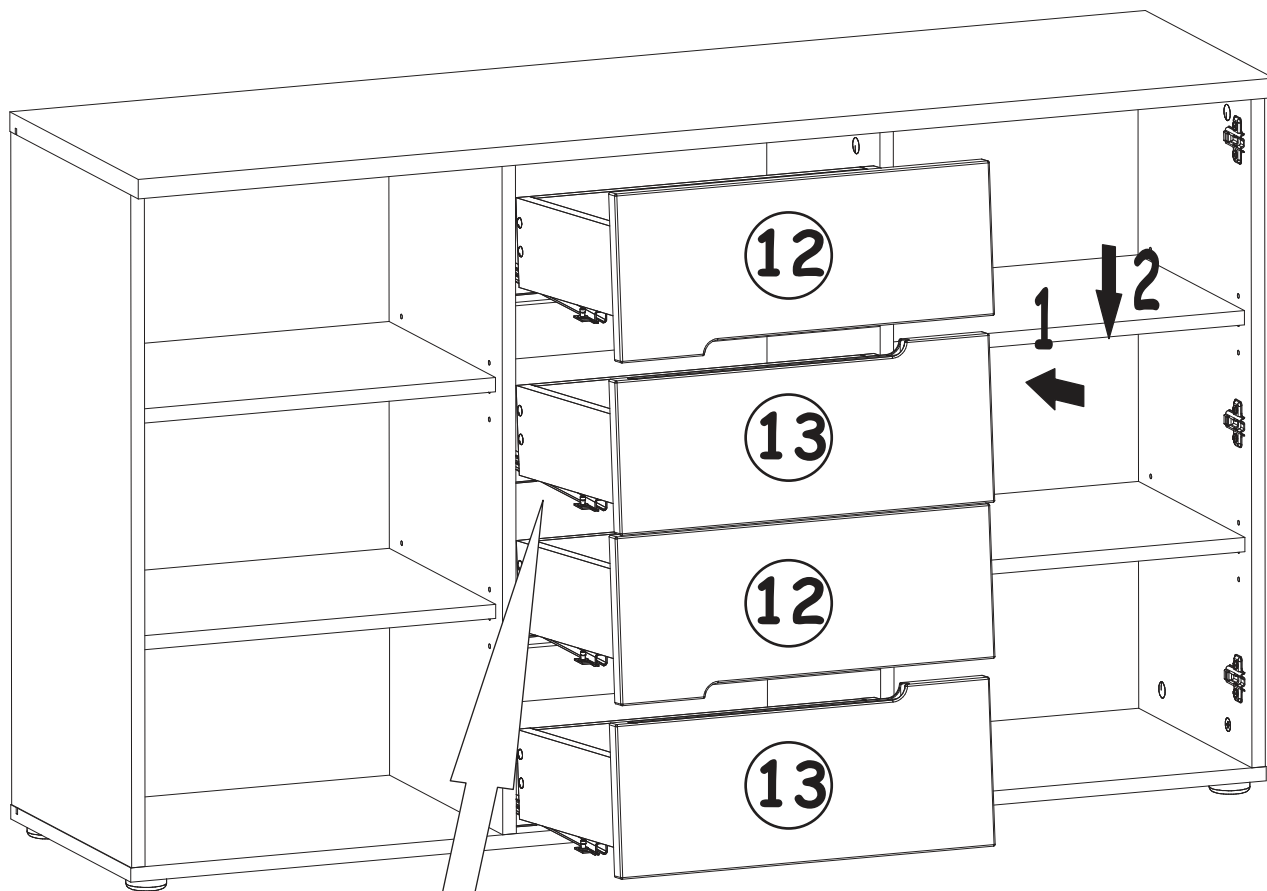


D10		L1		KR1	
x2	USØ3,5x13	x1		x1	

21



22



23

