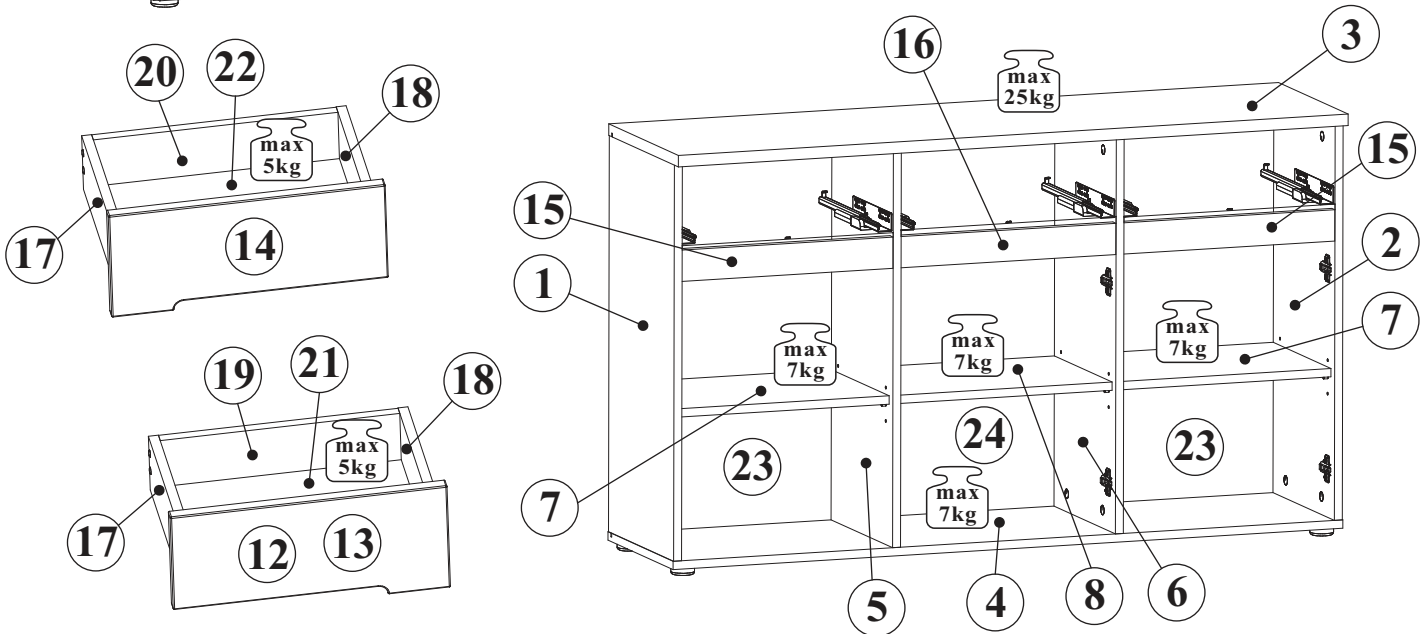
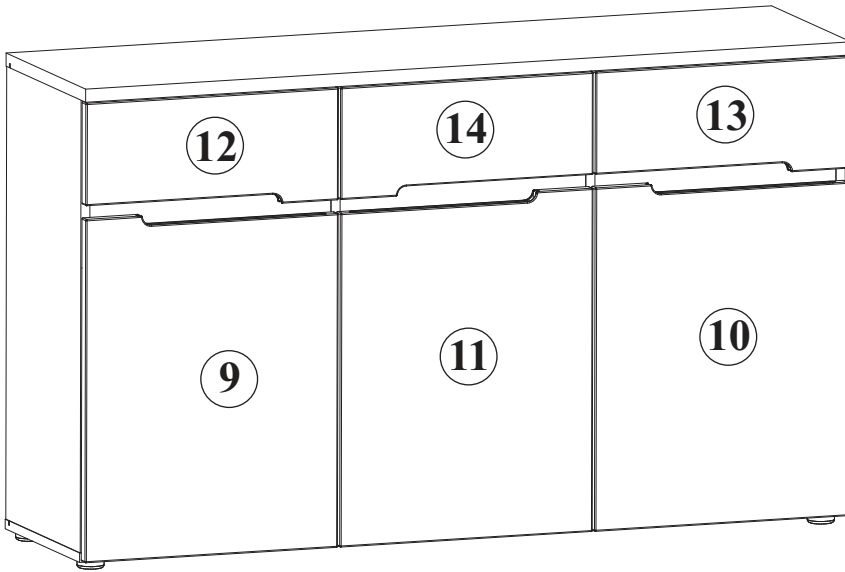
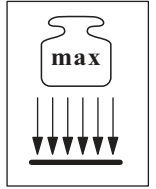
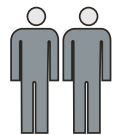


MEMPHIS 50 34--26

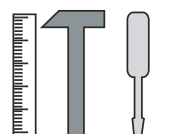


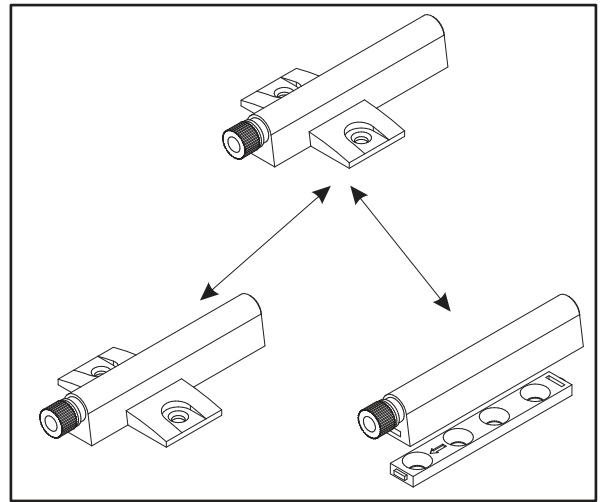
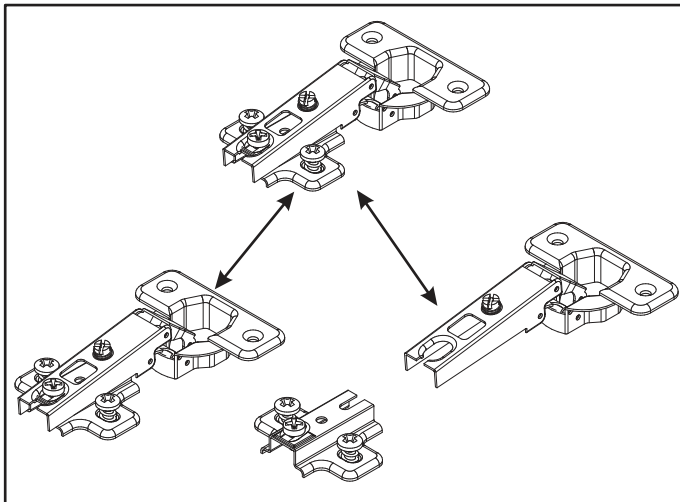
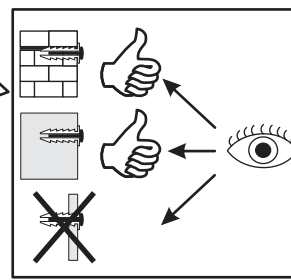
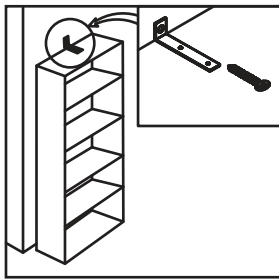
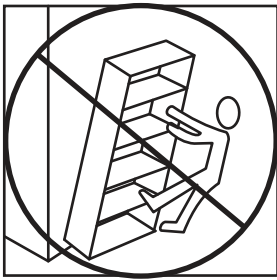
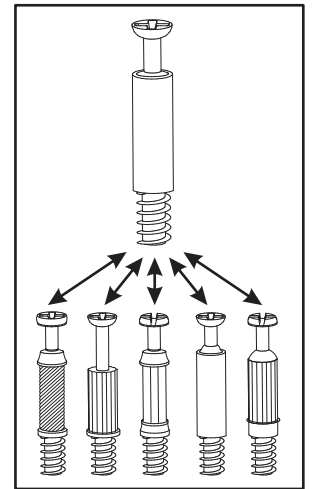
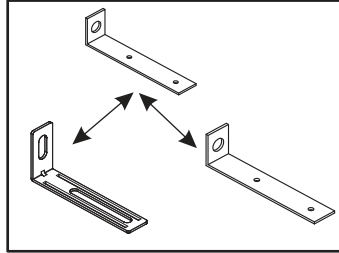
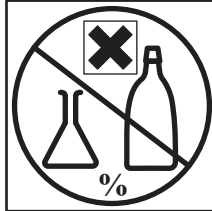
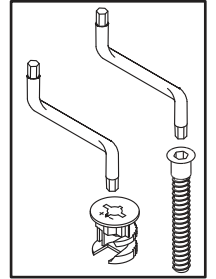
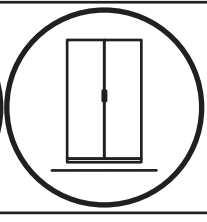
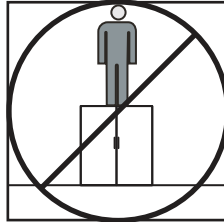
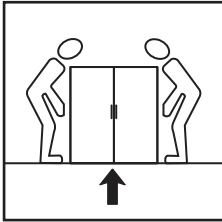
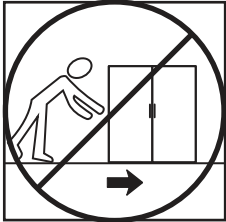
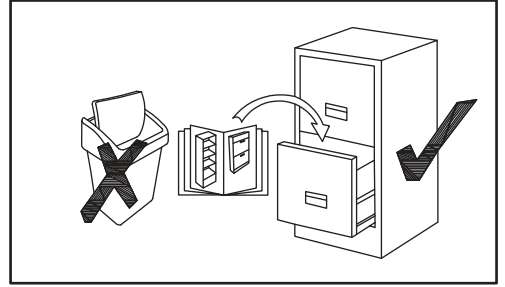
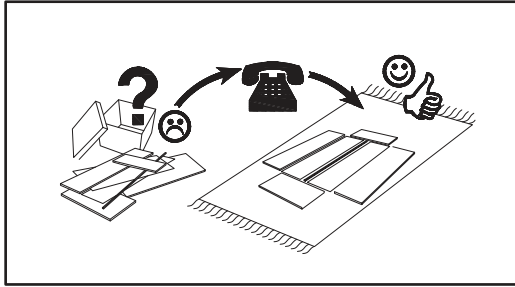
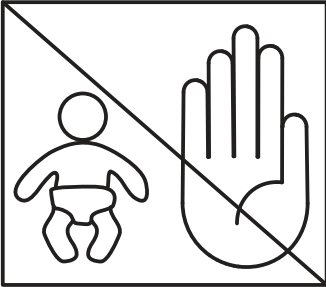
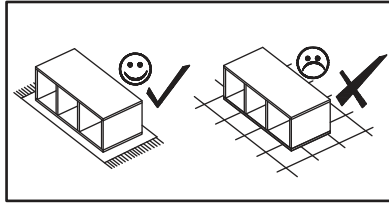
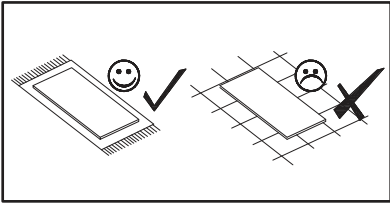
NO	Dim.			Col.-No	Qty
1	760	350	16	1	1
2	760	350	16	1	1
3	1352	374	22	1	1
4	1352	350	16	1	1
5	760	330	16	1	1
6	760	330	16	1	1
7	426	310	16	2	2
8	434	310	16	2	1
9	446	576	18	2	1
10	446	576	18	2	1
11	446	576	18	2	1
12	446	188	18	2	1
13	446	188	18	2	1
14	446	188	18	2	1

NO	Dim.			Col.-No	Qty
15	426	60	16	2	2
16	434	60	16	2	1
17	300	100	16	2	3
18	300	100	16	2	3
19	386	86	16	2	2
20	394	86	16	2	1
21	304	398	3	2	2
22	304	406	3	2	1
23	772	440	3	2	2
24	772	450	3	2	1



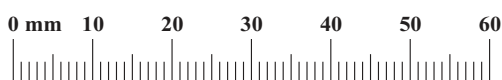
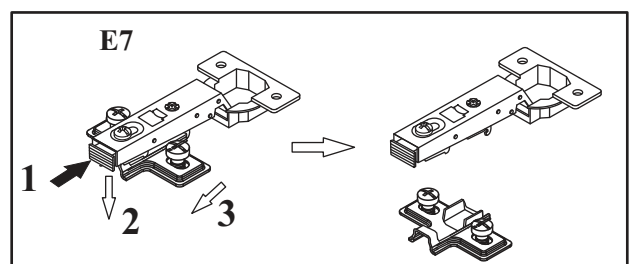
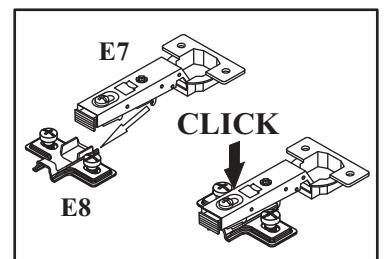
180 min





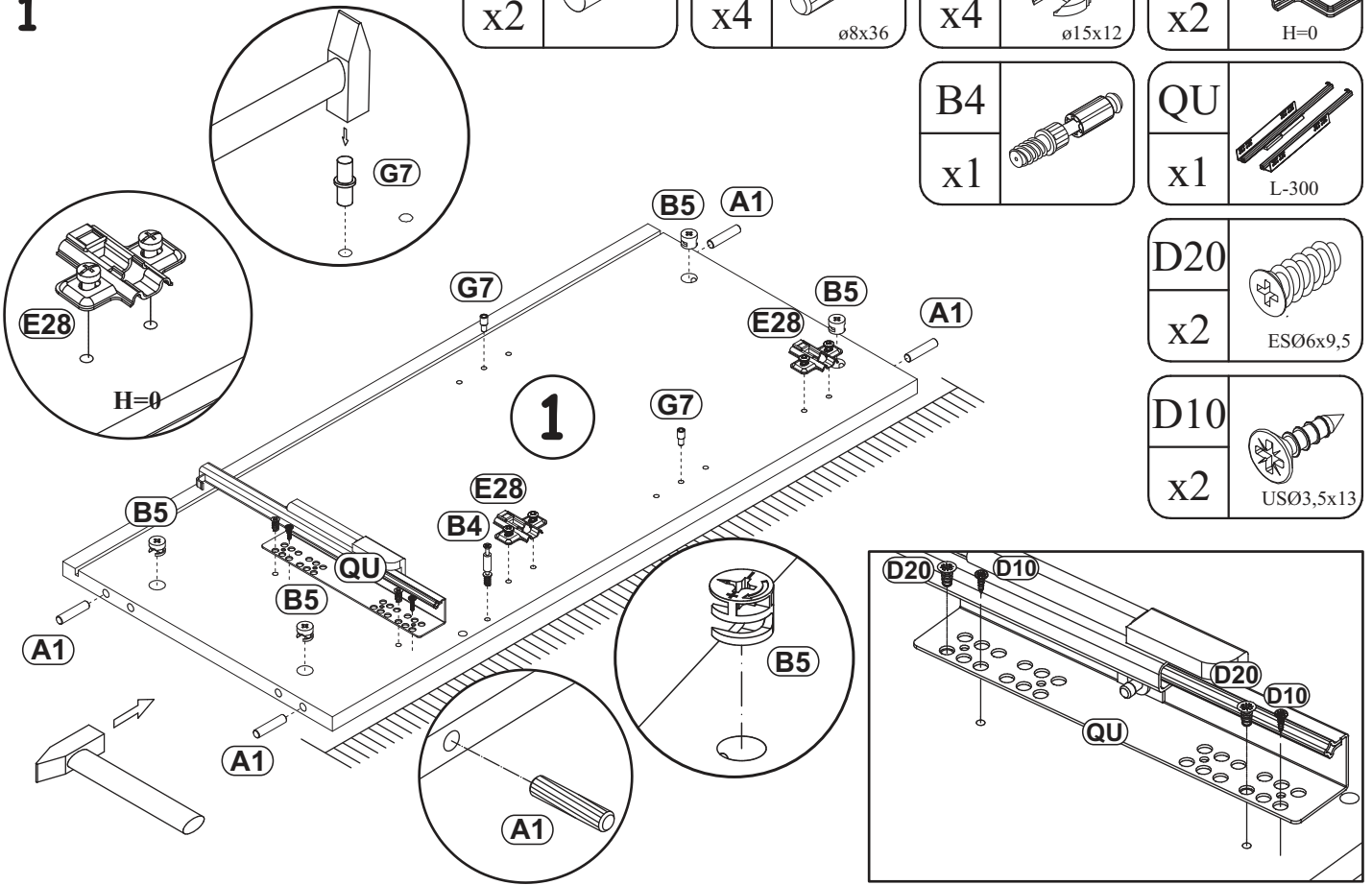
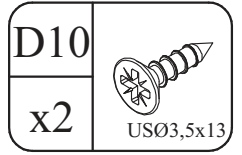
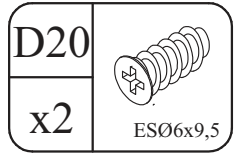
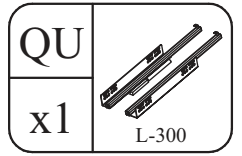
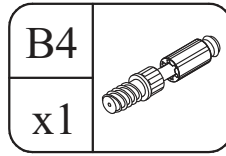
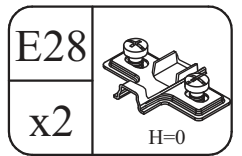
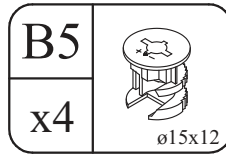
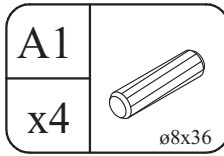
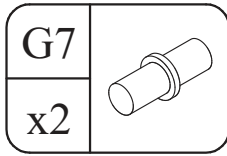
MEMPHIS 50 34 -- 26

A1 x28 ø8x36	B4 x24	B6 x2 Ø7x76	B5 x28 ø15x12	G5 x28	B11 x12 Ø7x50
G4 x12	E7 x4 Ø35 H=0	E9 x2 Ø35 H=8	E28 x4 H=0	E8 x2 H=2	G7 x12
S1 x21	QU x3 L-300	I11 x6 Ø45, h=15	D10 x26 USØ3,5x13	UP11 x6 UPØ4x20	UP13 x26 UPØ3x16
G16 x8	D20 x12 ESØ6x9,5	L1 x1	KR1 x1	G2 x1	

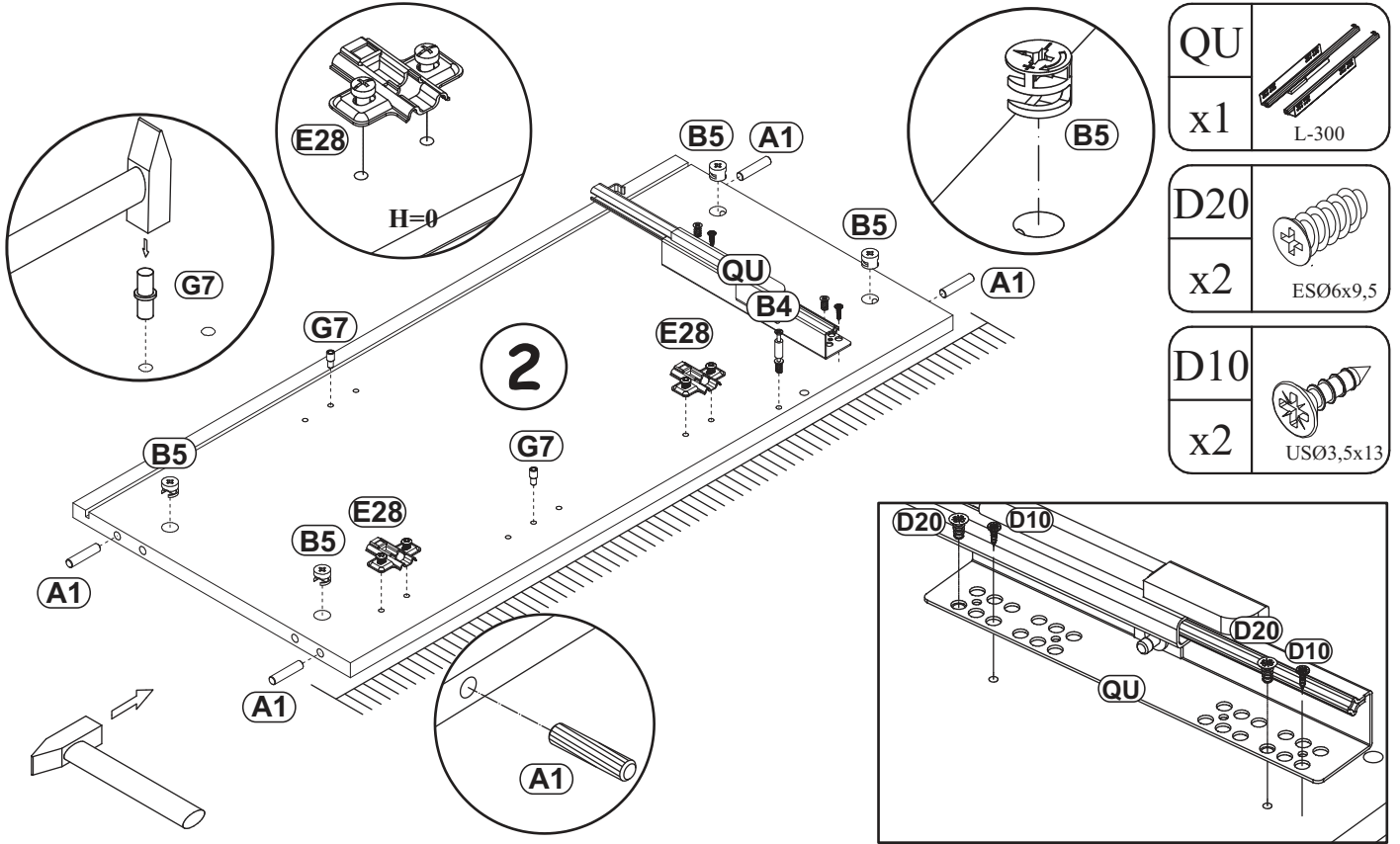
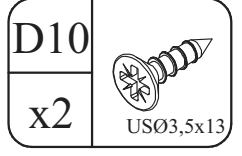
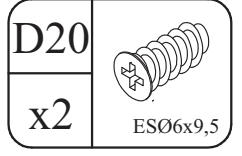
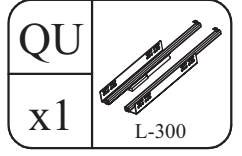
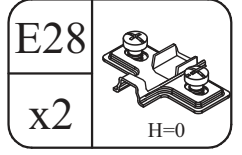
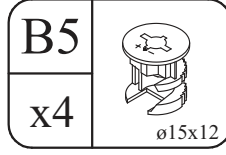
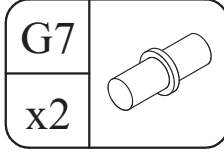
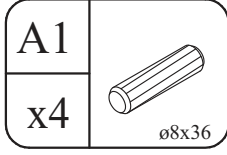
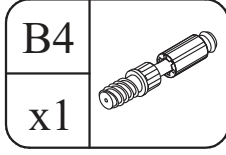


MEMPHIS 50 34 -- 26

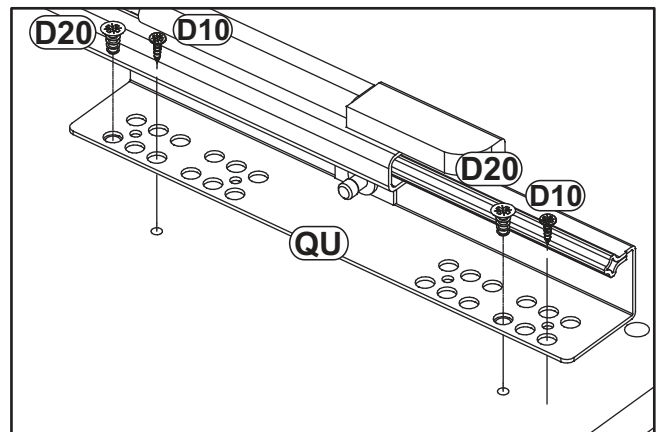
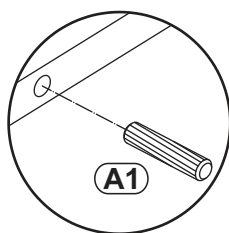
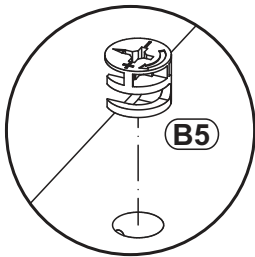
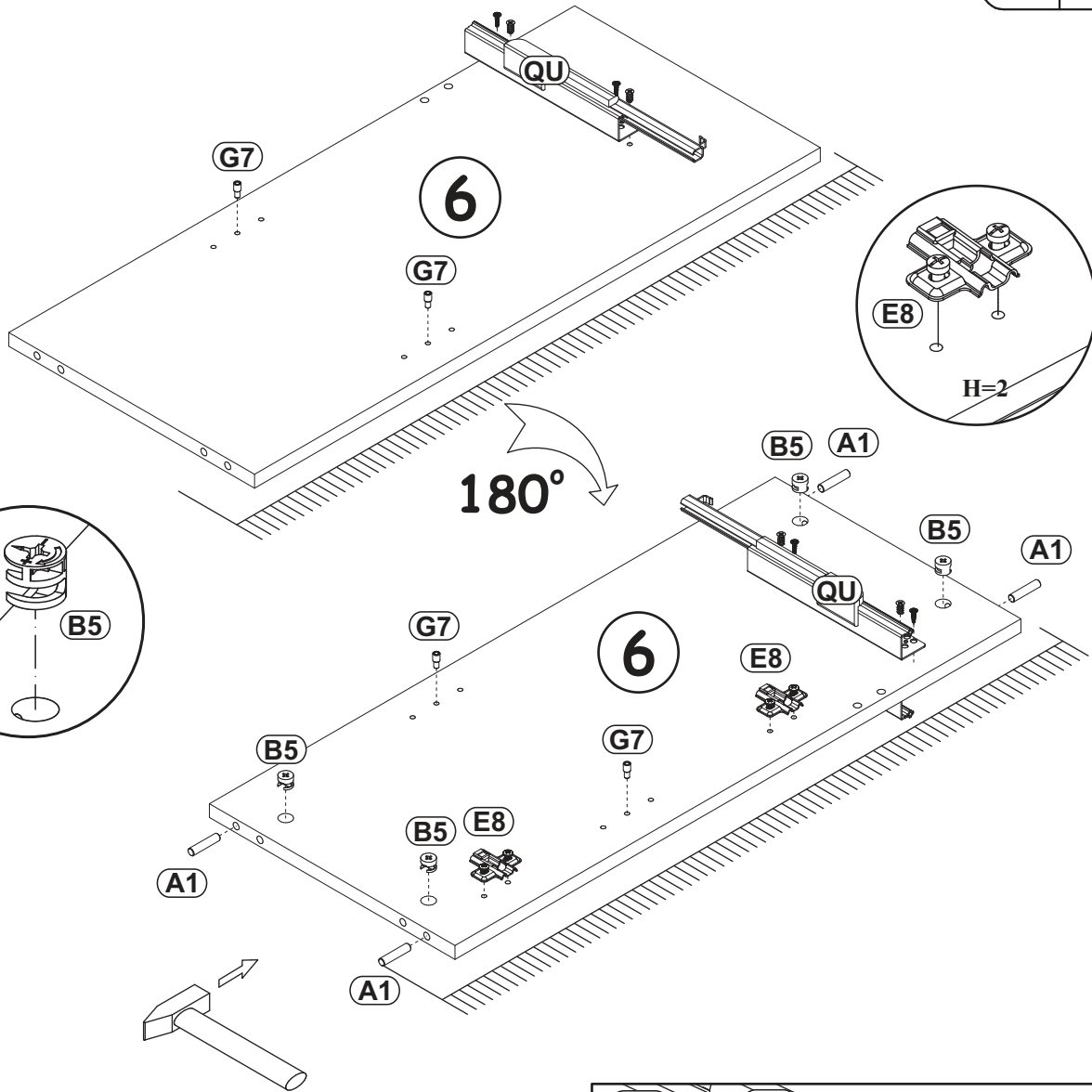
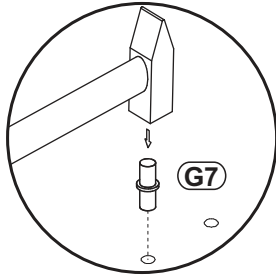
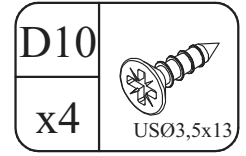
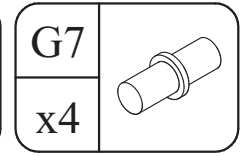
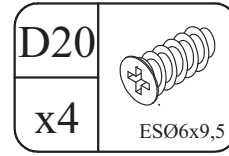
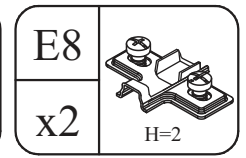
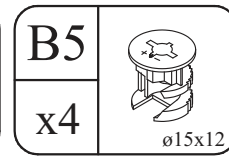
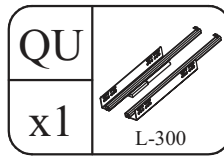
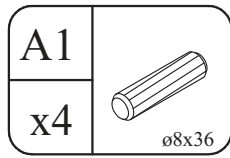
1



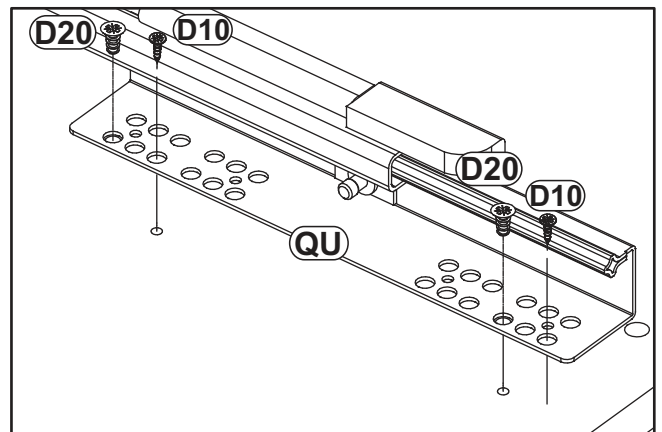
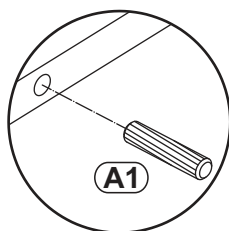
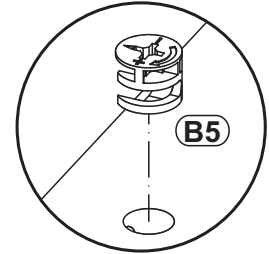
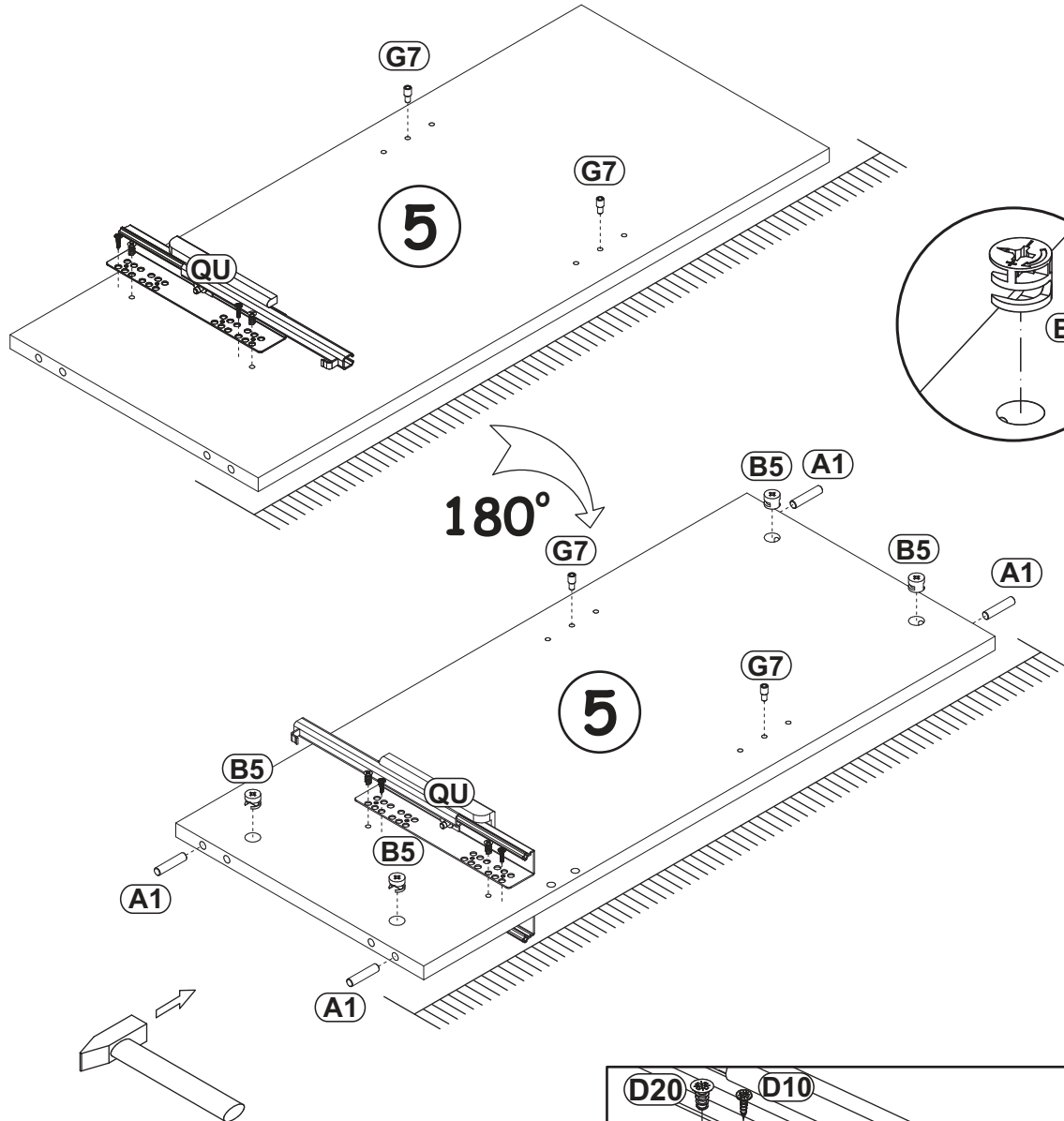
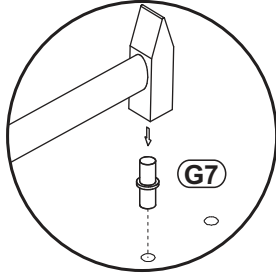
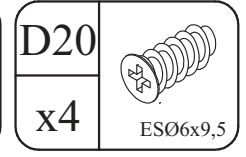
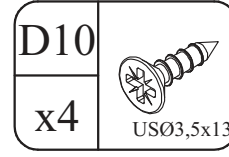
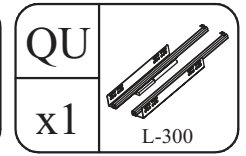
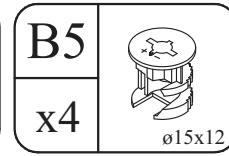
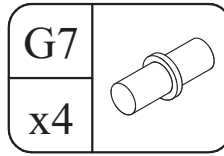
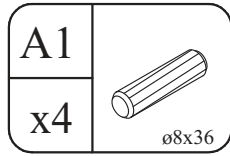
2



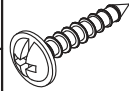
3

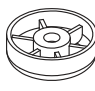


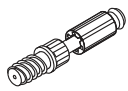
4

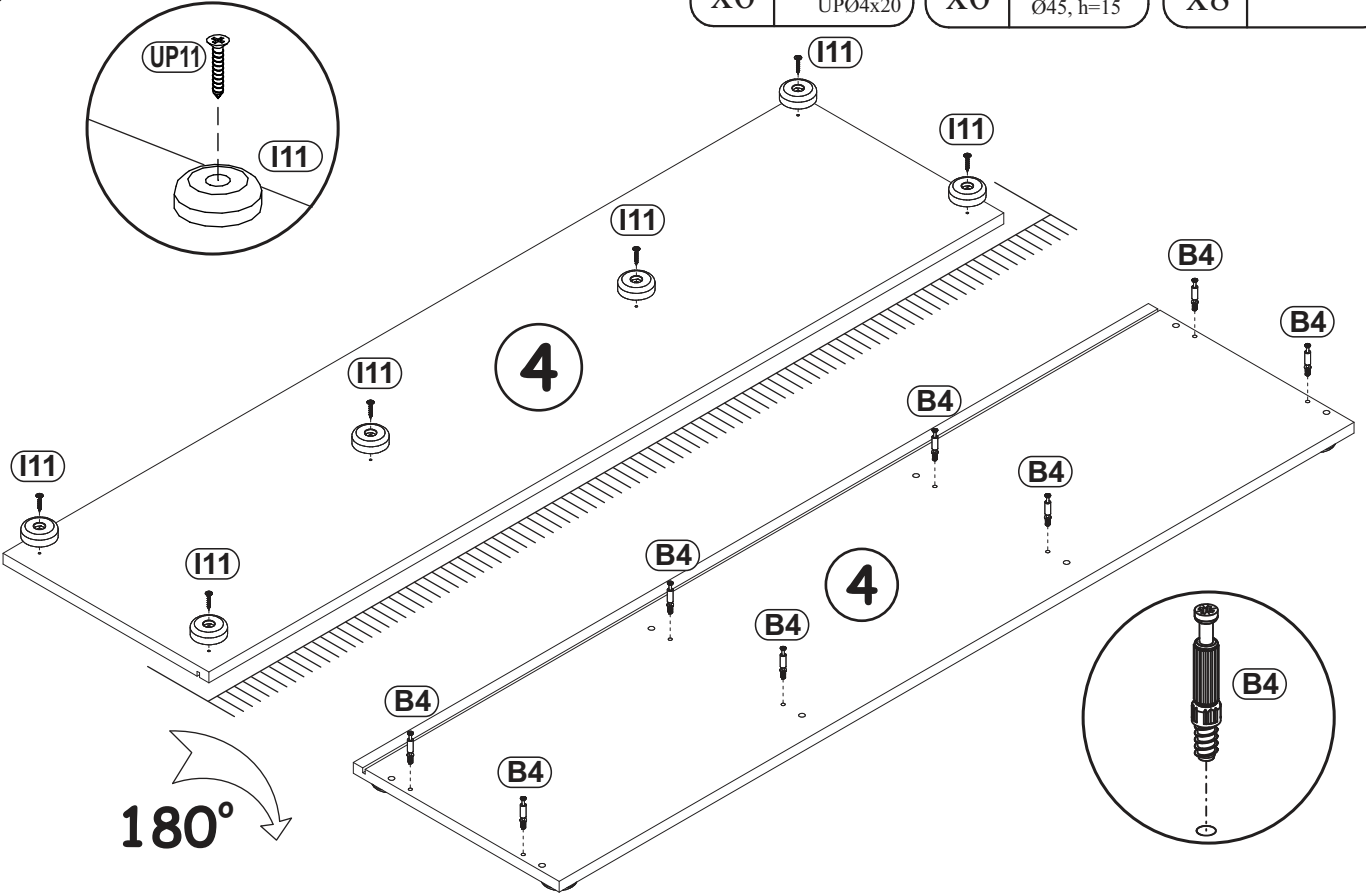


5

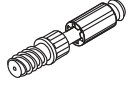
UP11	
x6	UPØ4x20

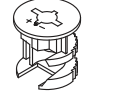
I11	
x6	Ø45, h=15

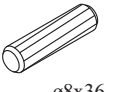
B4	
x8	

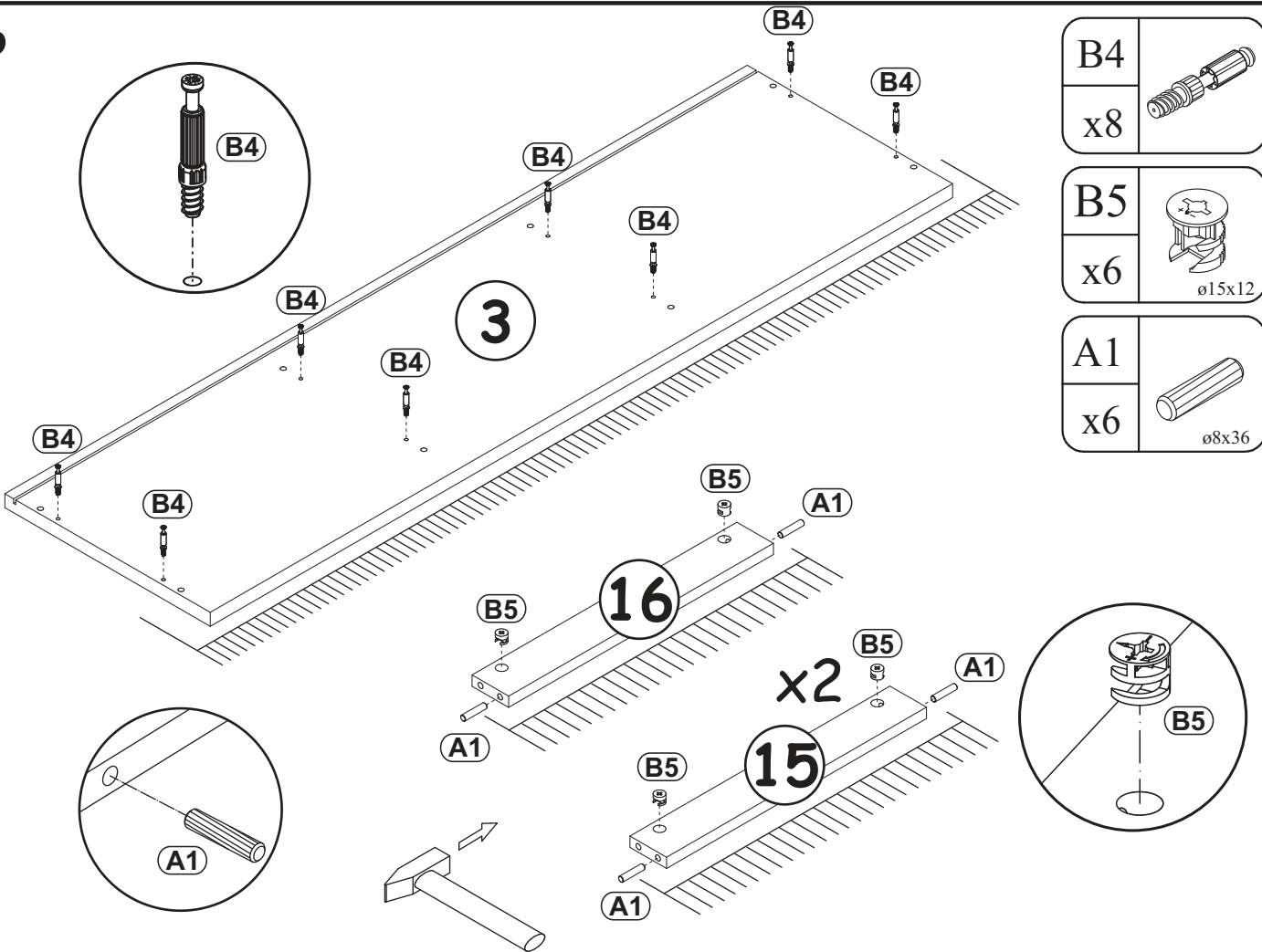


6

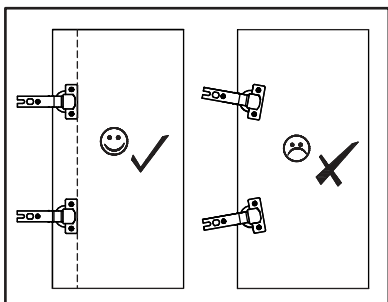
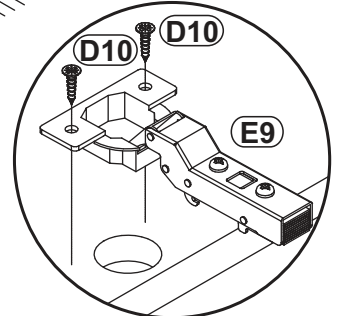
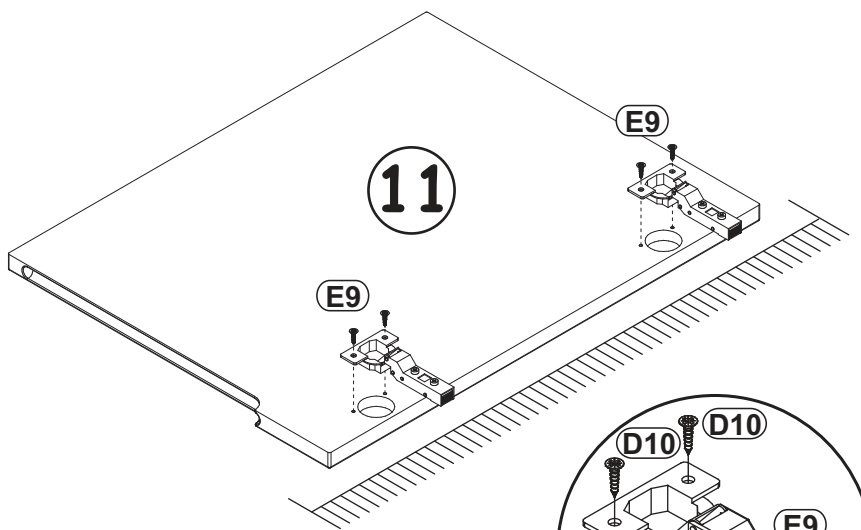
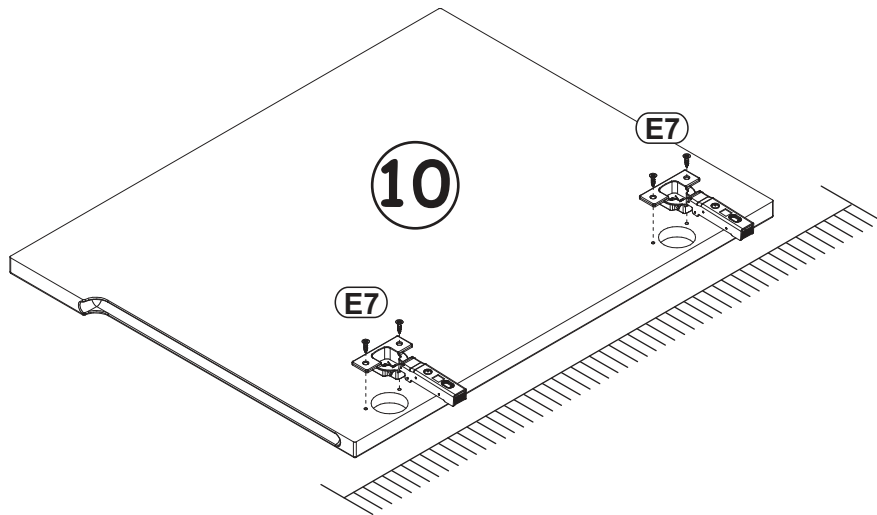
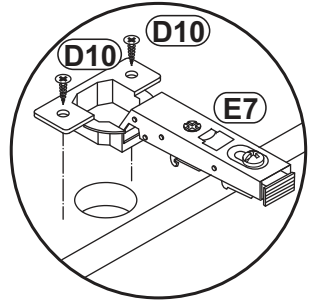
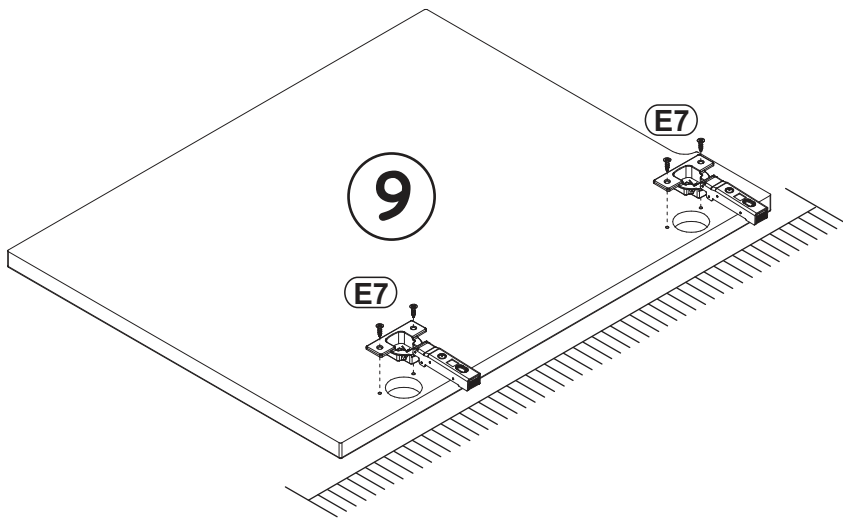
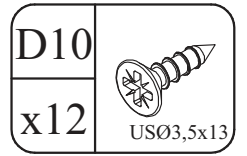
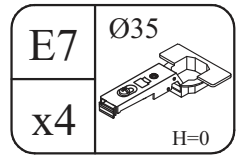
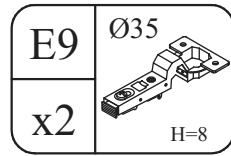
B4	
x8	

B5	
x6	Ø15x12

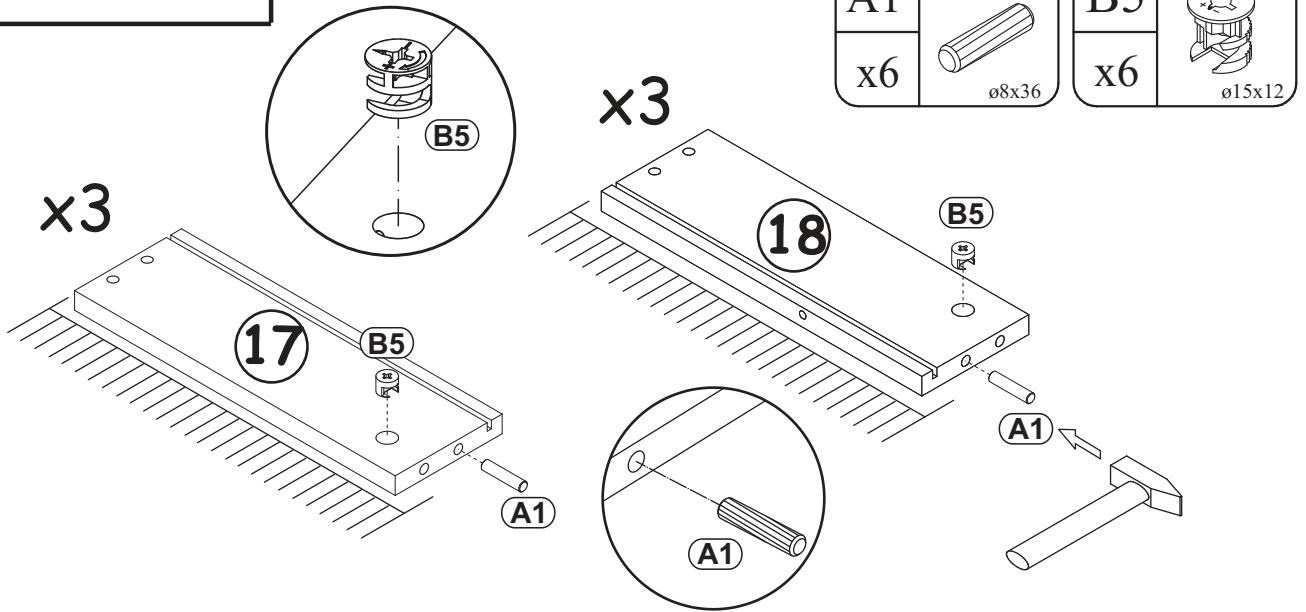
A1	
x6	Ø8x36



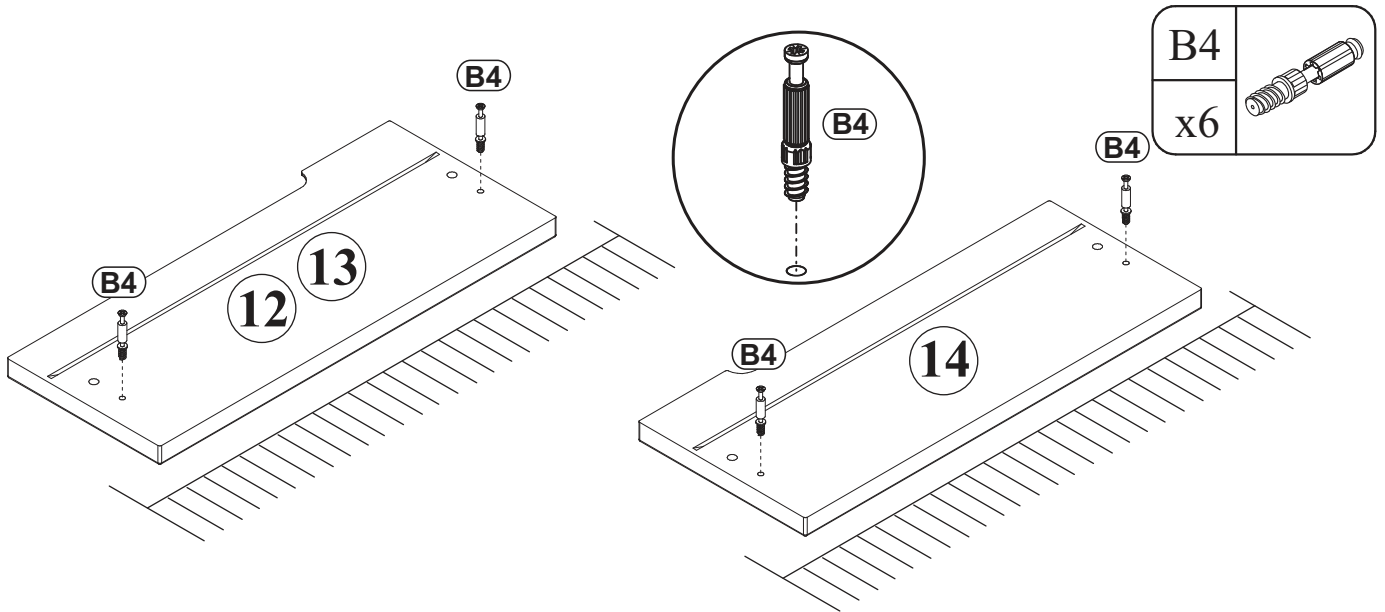
7



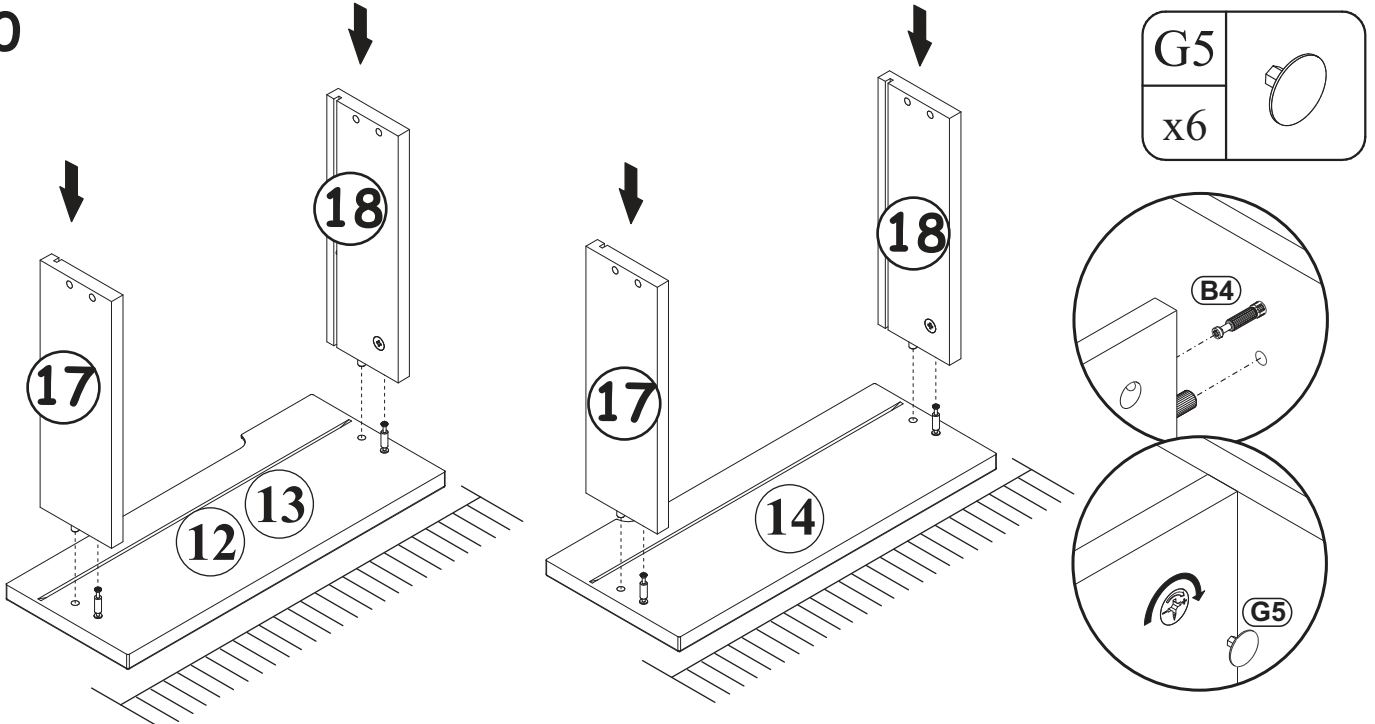
8



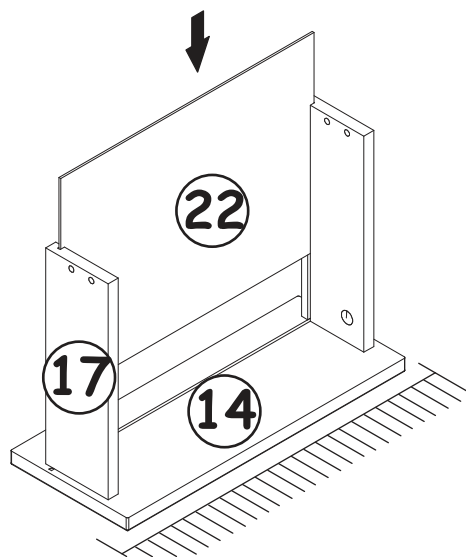
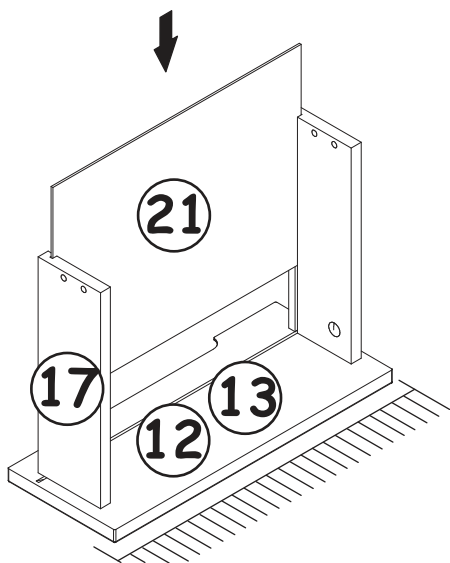
9





10

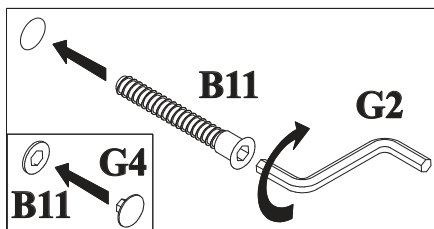
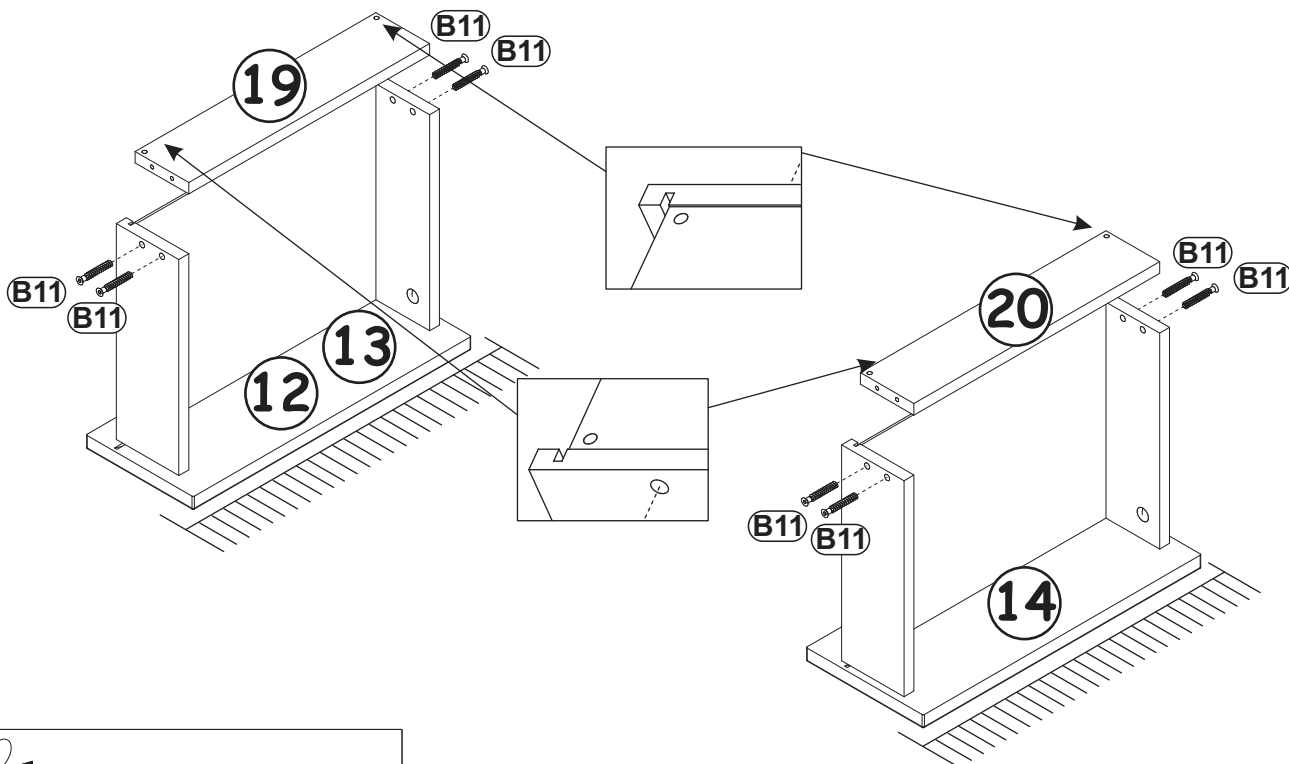



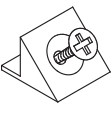
11



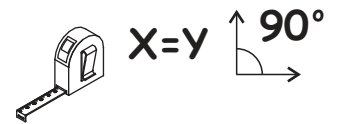
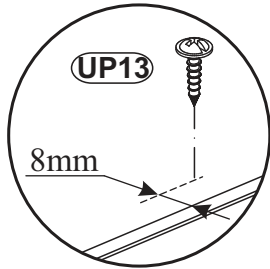
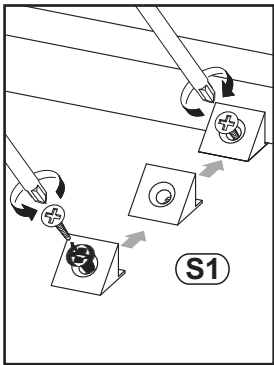
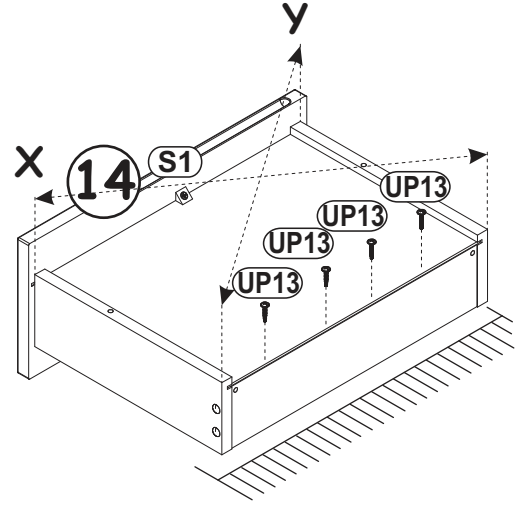
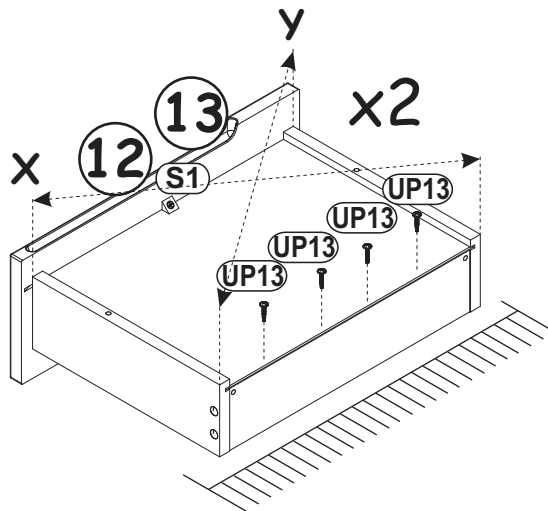
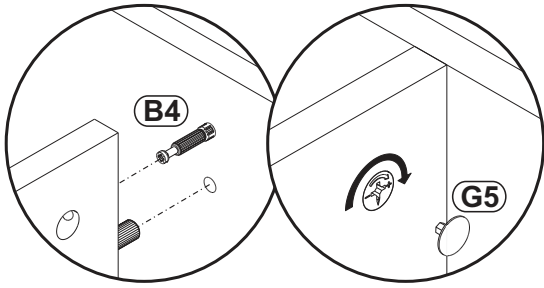
12

B11		G4	
x12	Ø7x50	x12	

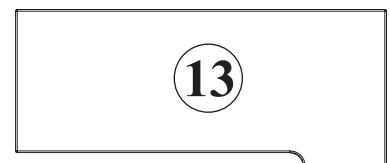
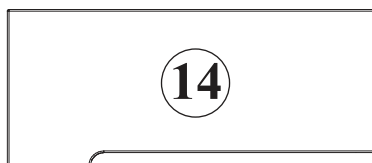
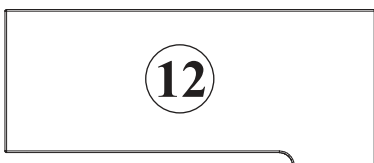
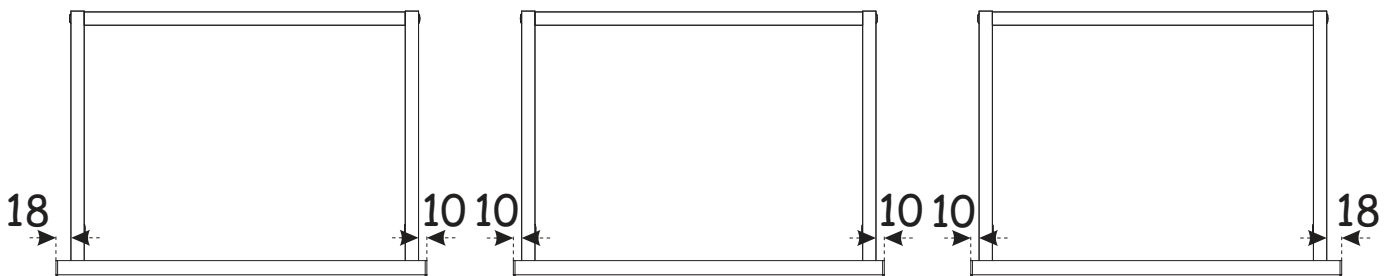


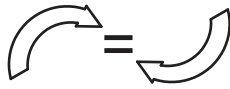
UP13	 UP03x16	S1	
x12		x3	

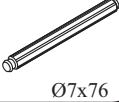
13




14

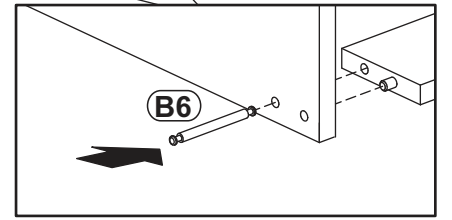
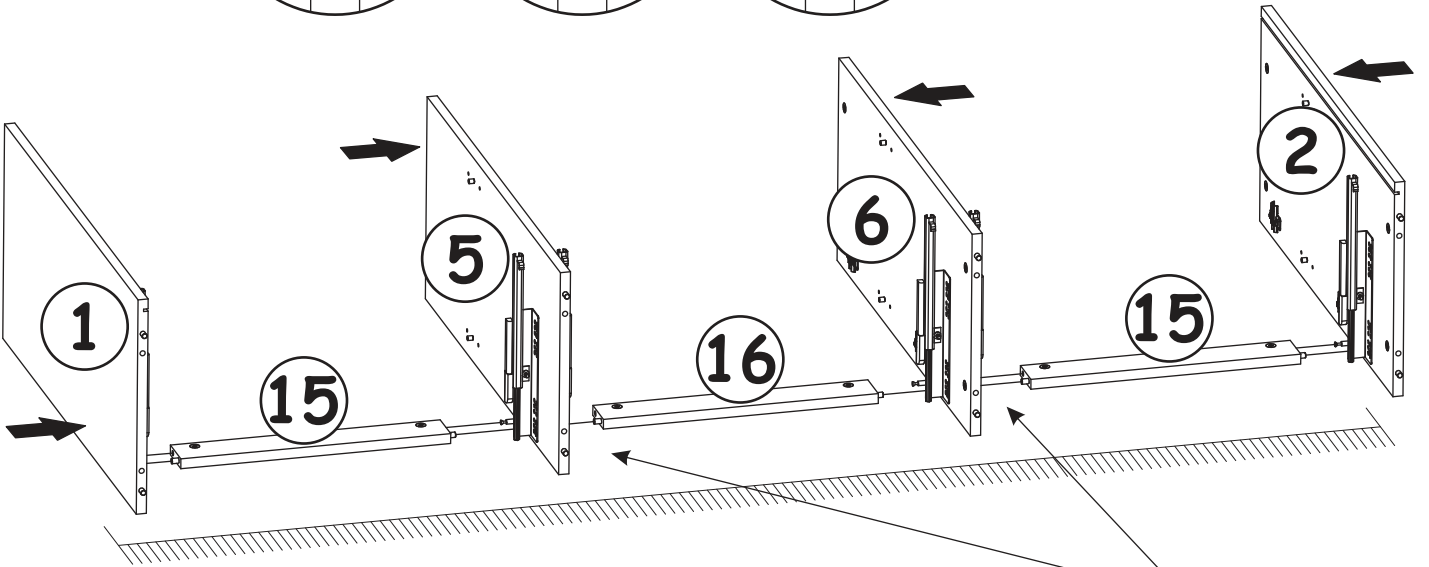
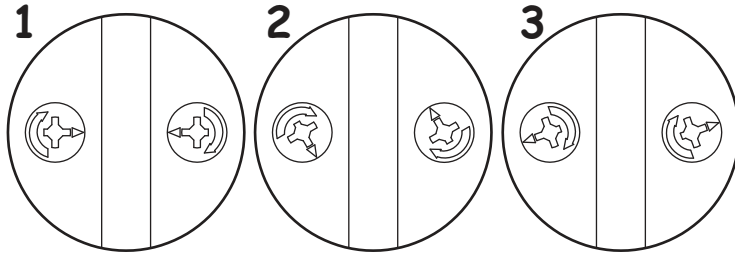




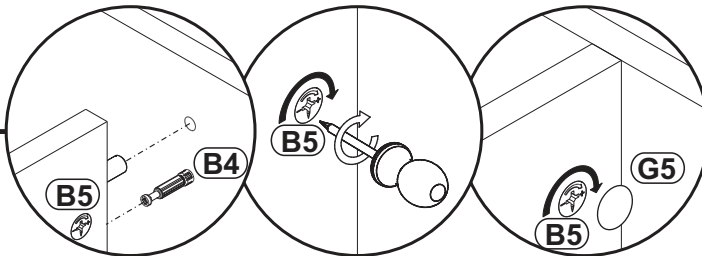
B6	
x2	


G5	
x8	

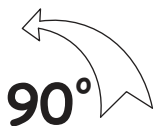
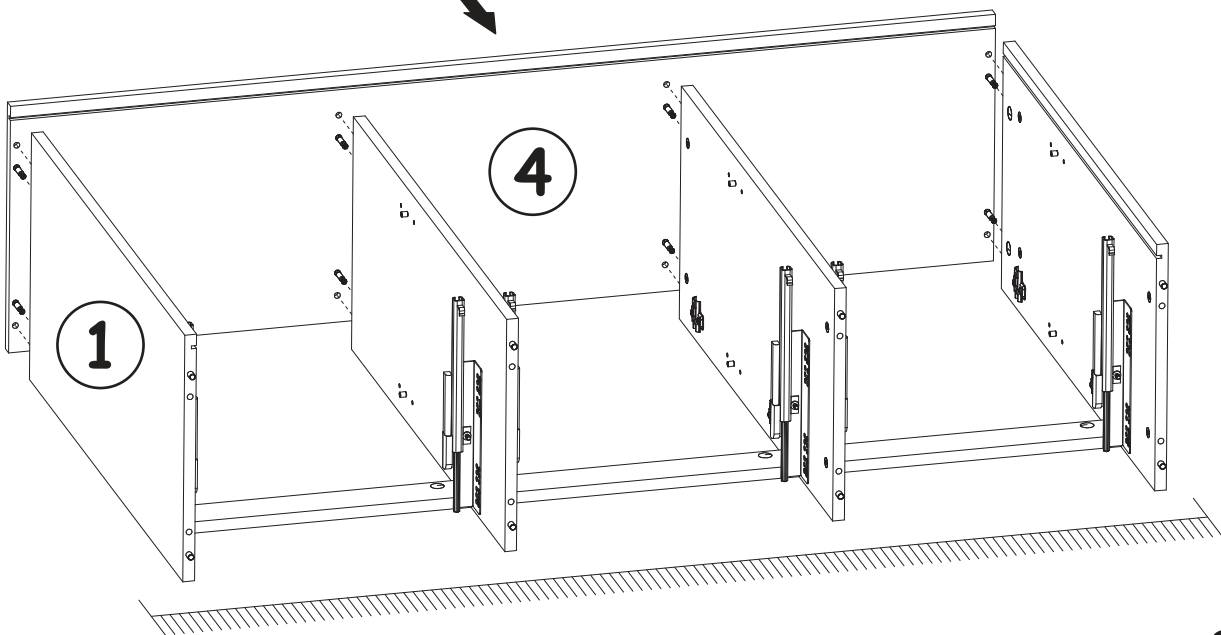
15



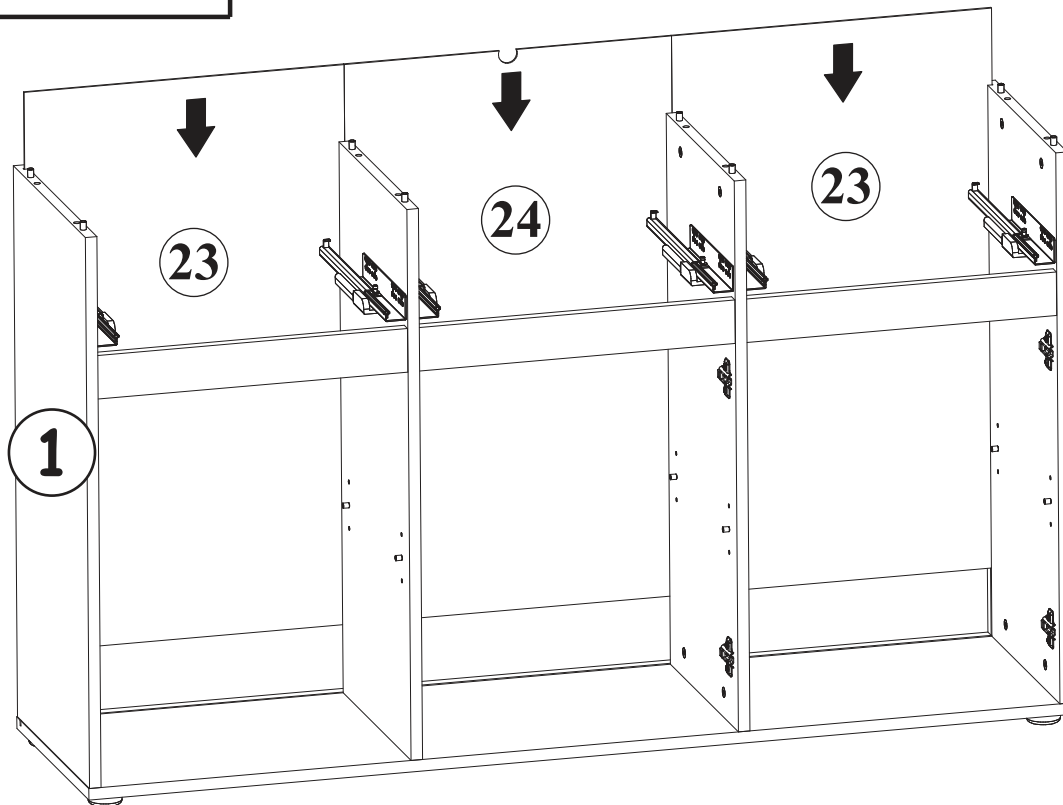
16



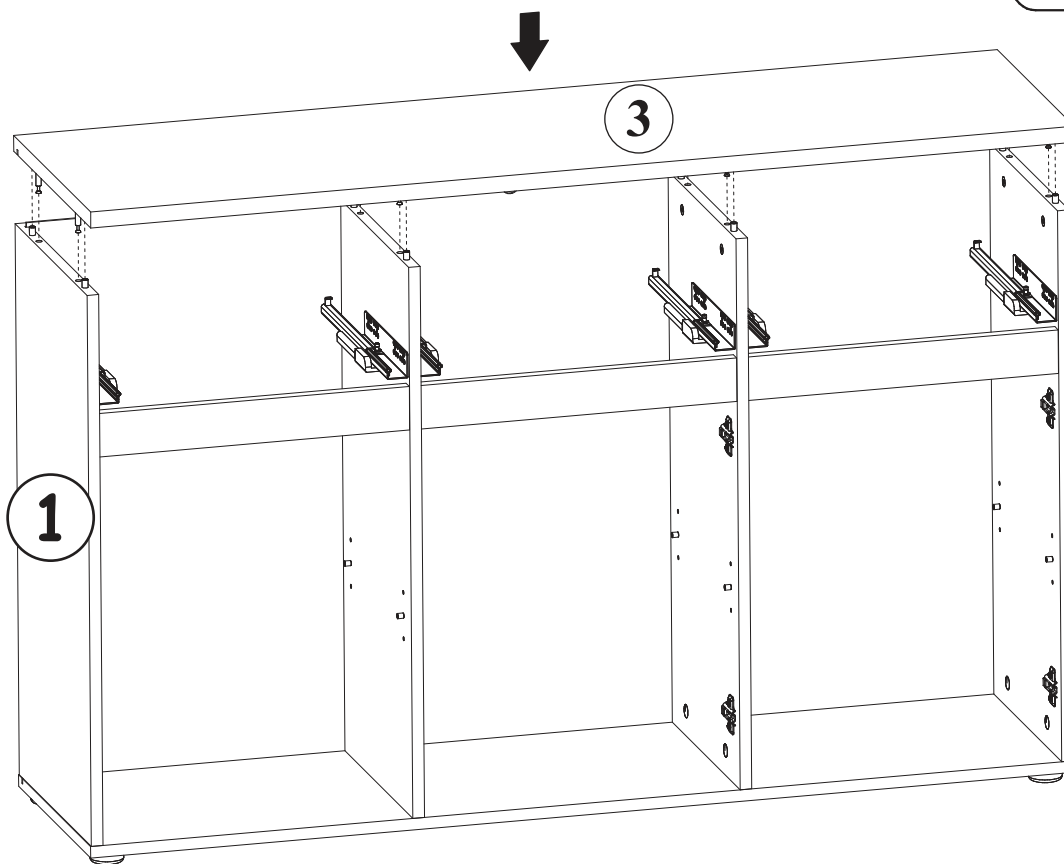
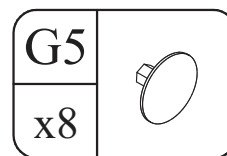
G5	
x8	


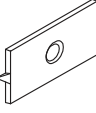
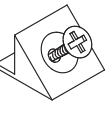


17

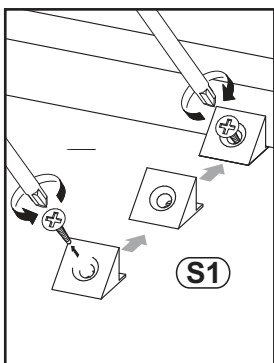
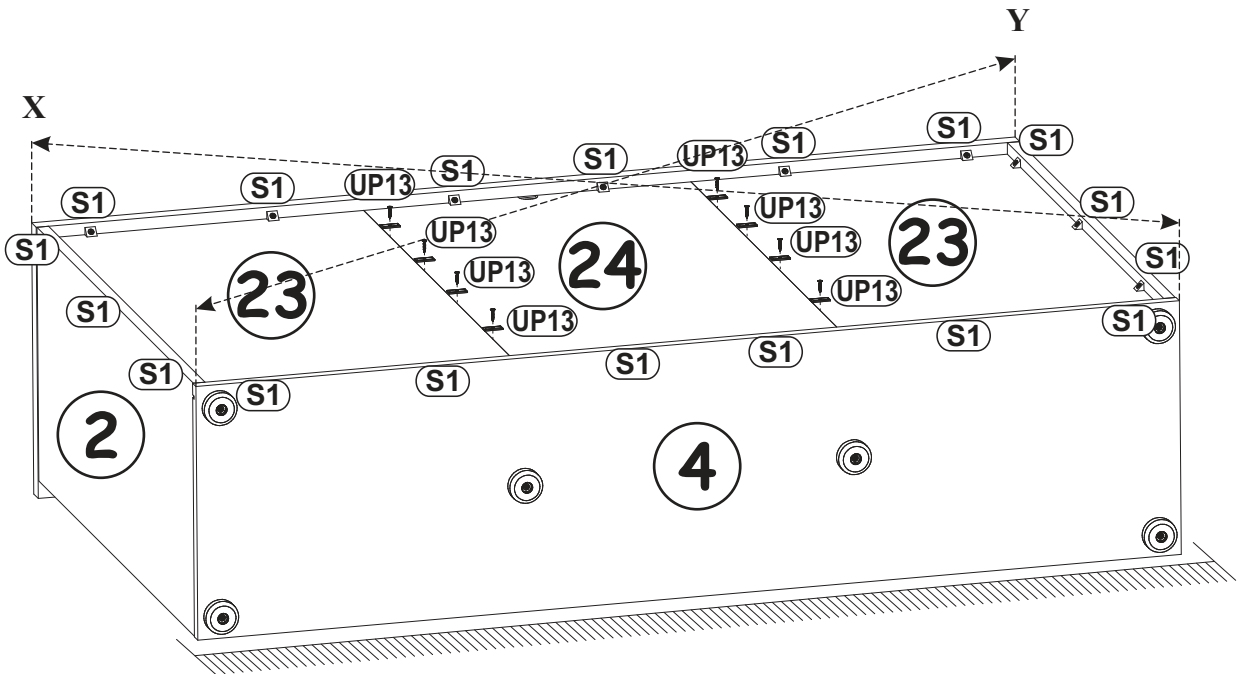
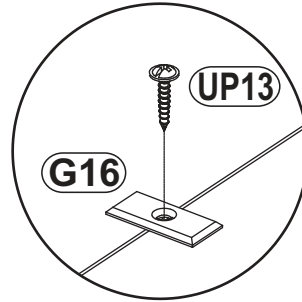
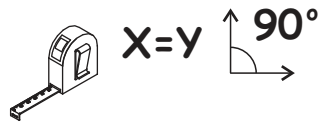


18

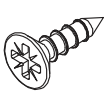
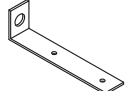



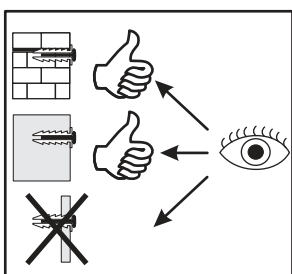
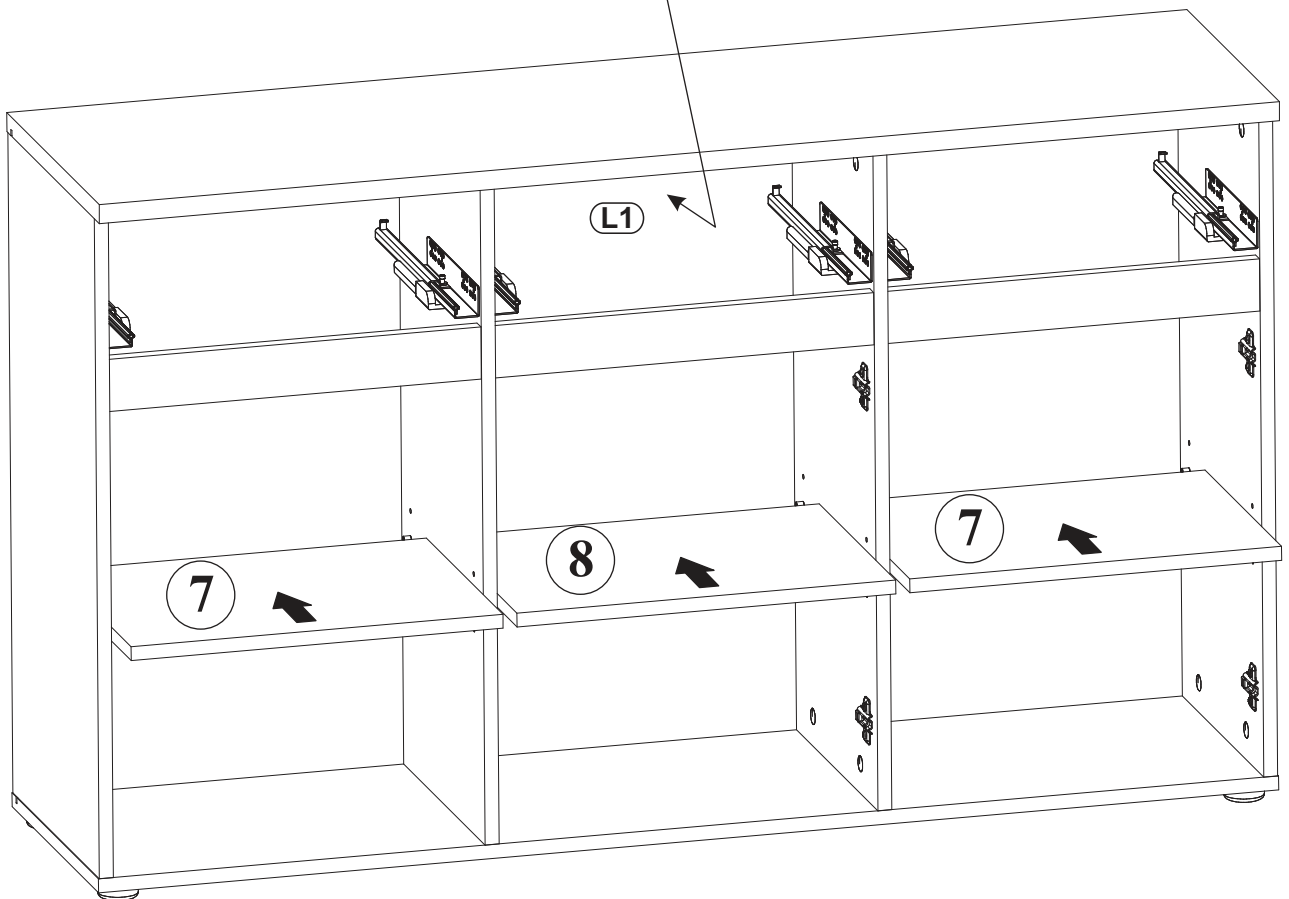
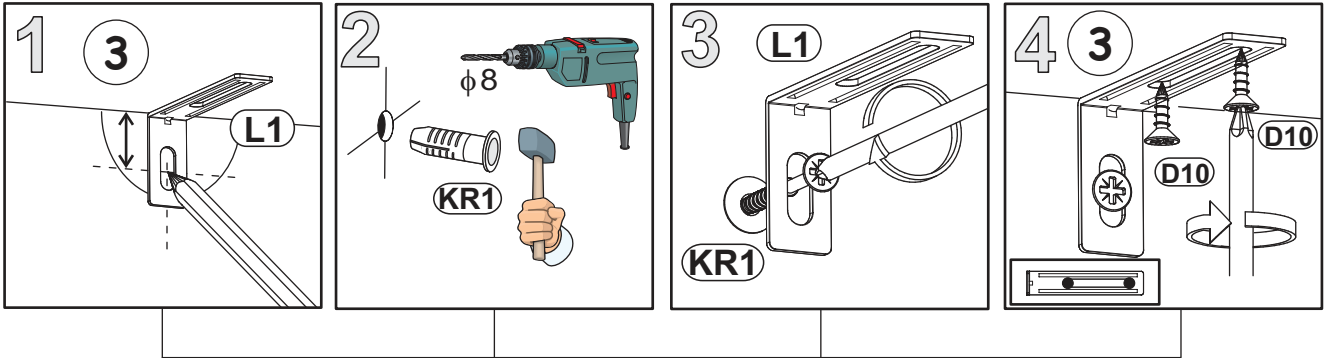
UP13		G16		S1	
x8	UPØ3x16	x8		x18	

19




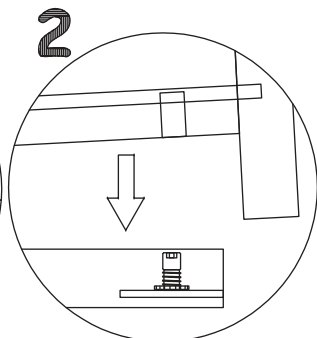
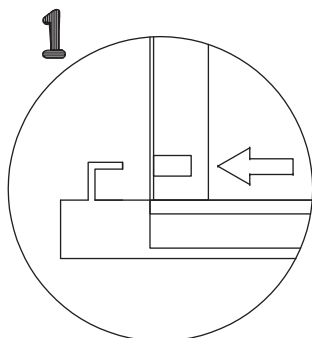
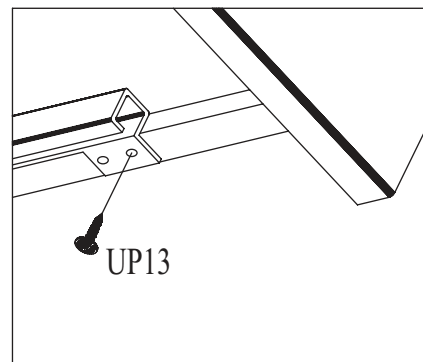
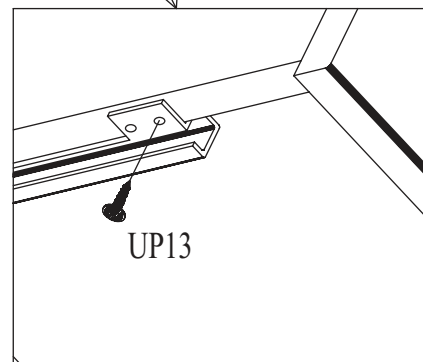
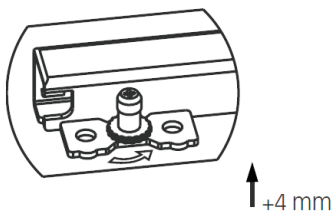
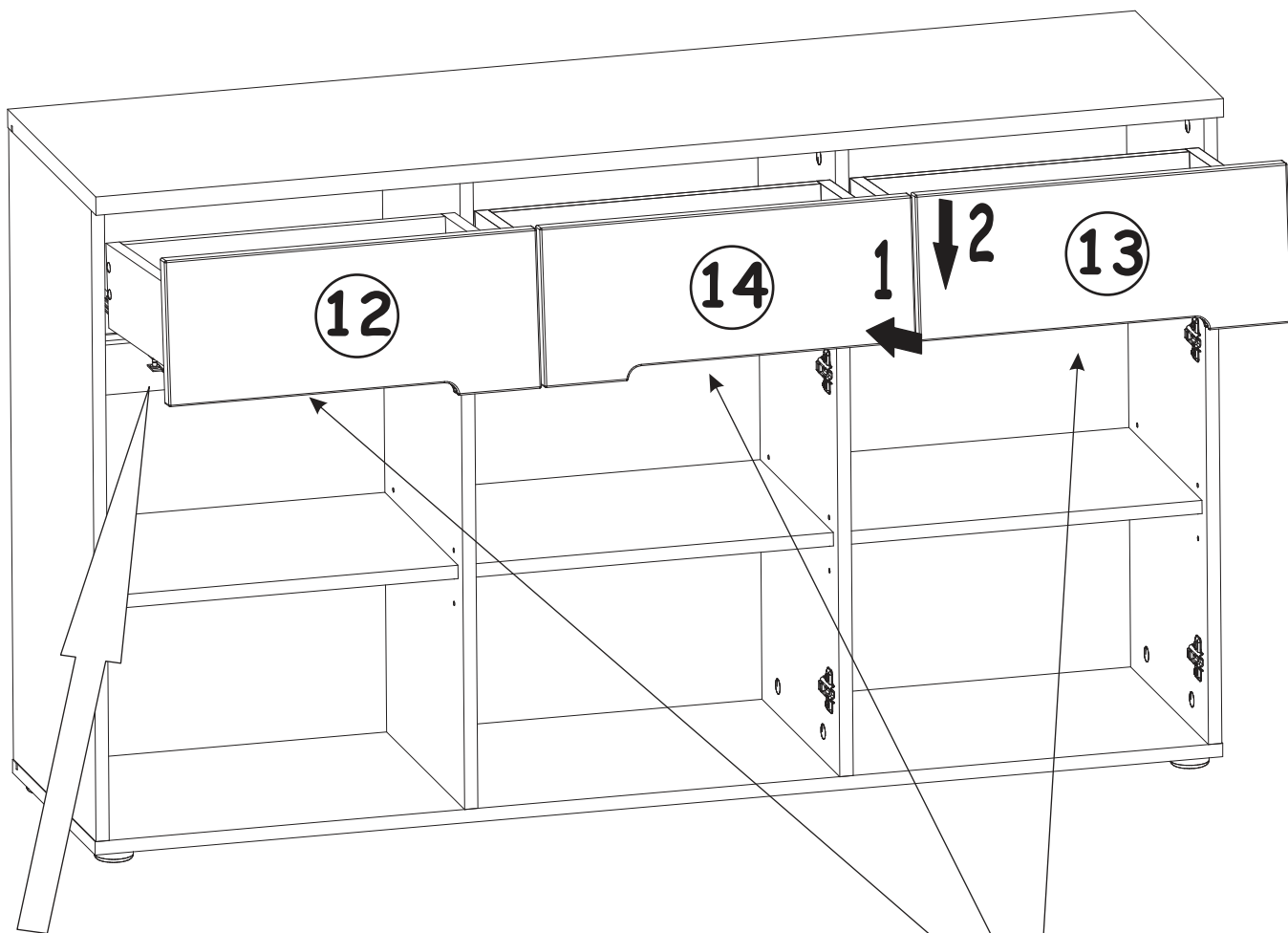
20

D10		L1		KR1	
x2	USØ3,5x13	x1		x1	



21

UP13	 UPØ3x16
x6	



22

