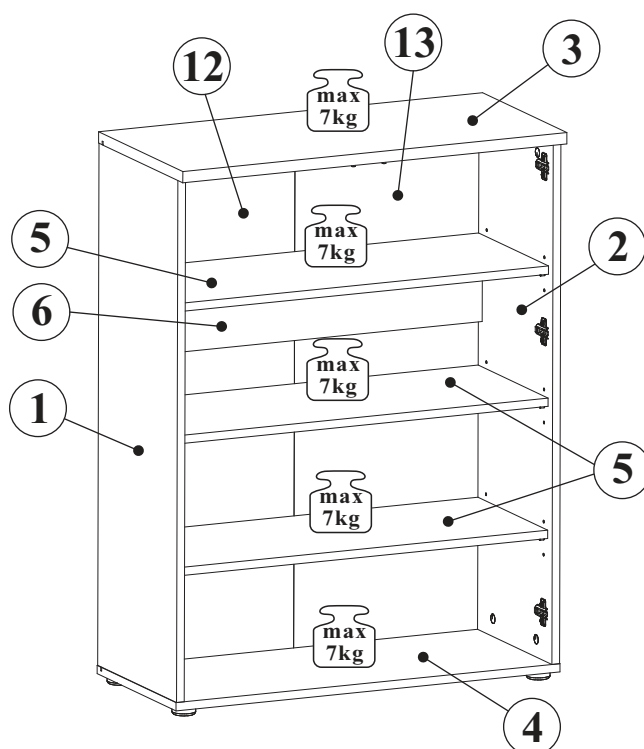
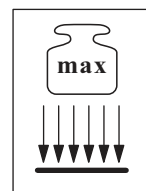
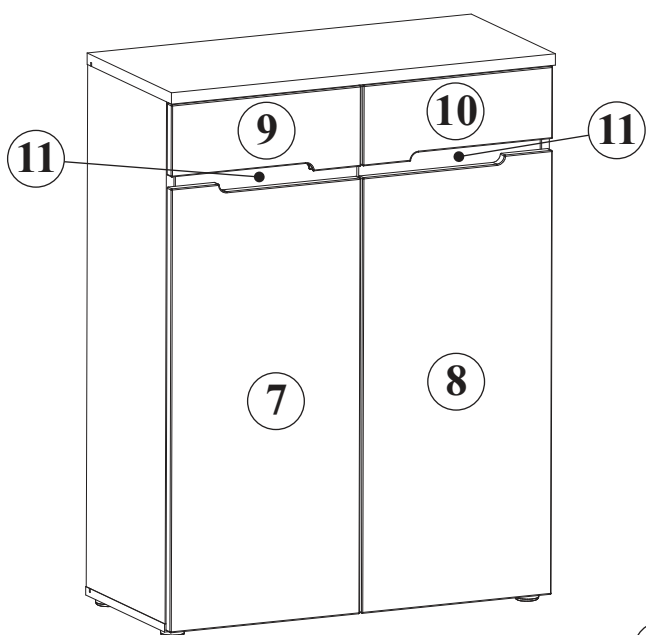
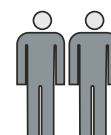


MEMPHIS 50 34--23

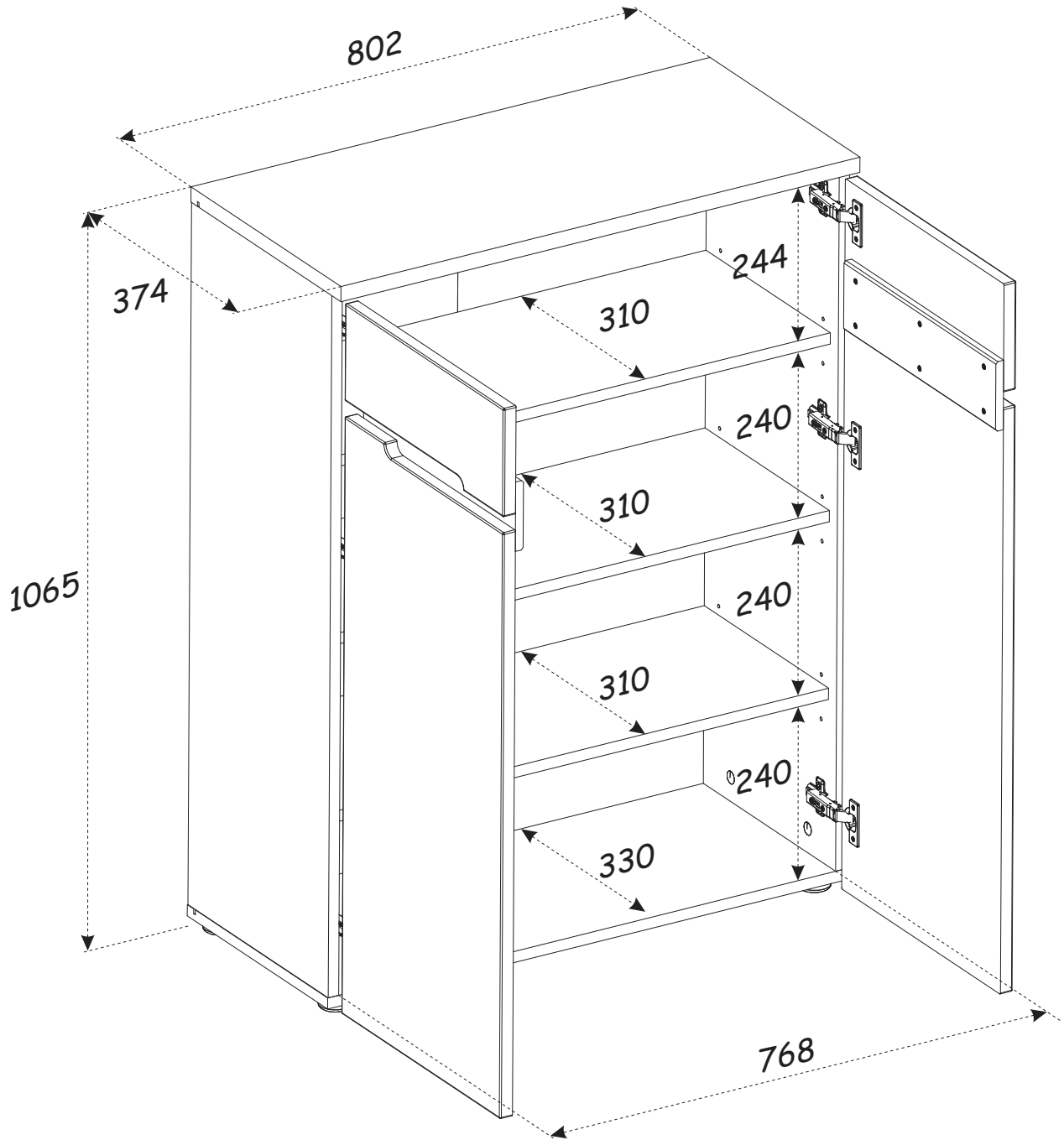


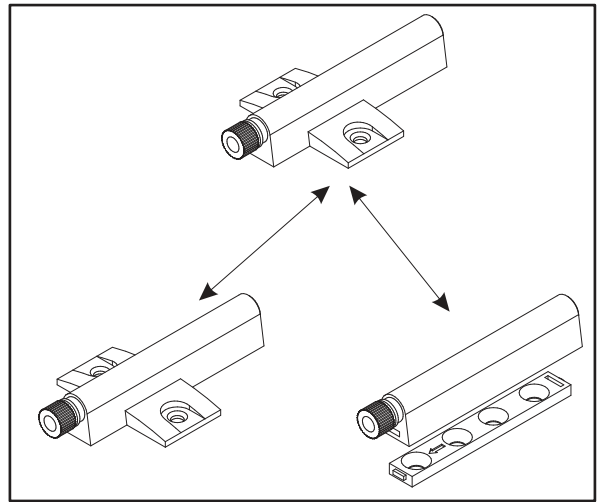
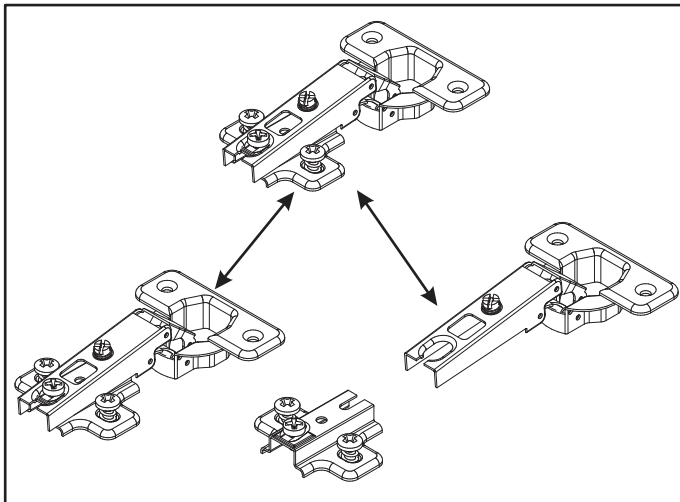
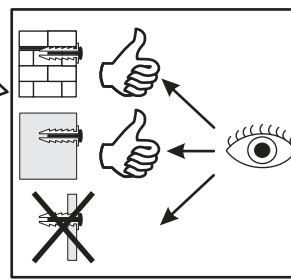
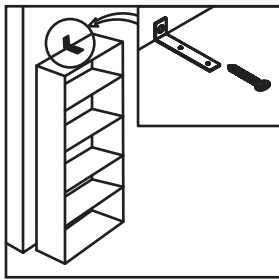
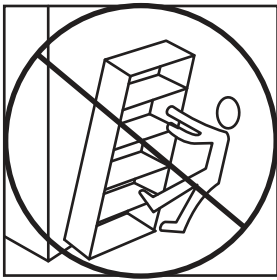
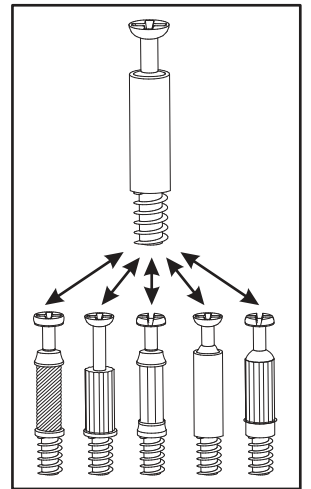
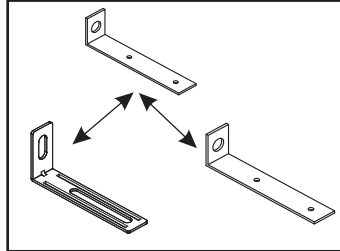
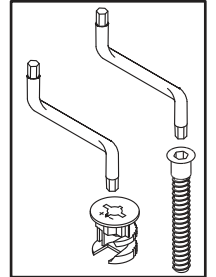
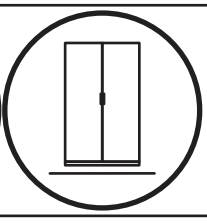
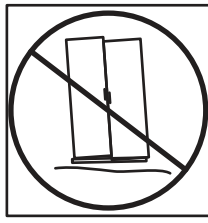
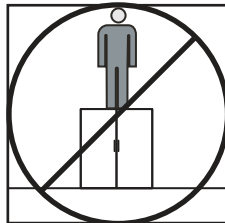
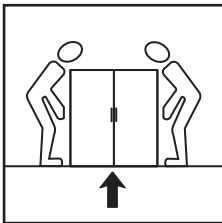
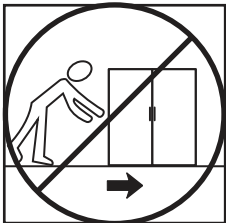
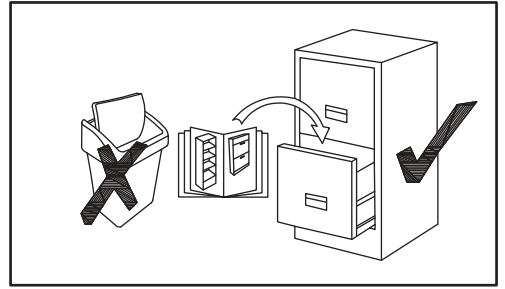
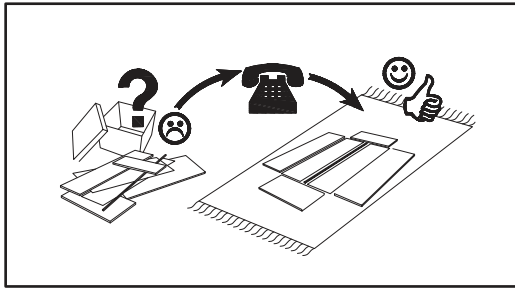
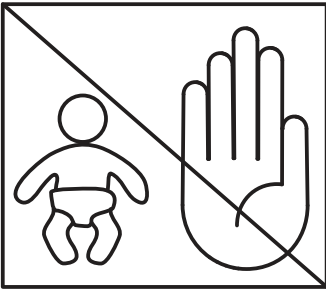
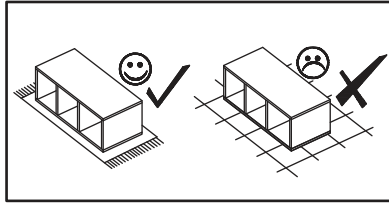
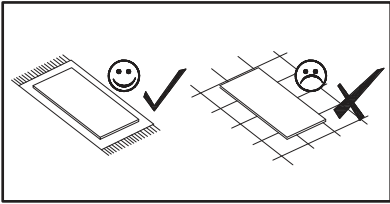
NO	Dim.			Col.-No	Qty
1	1012	350	16	1	1
2	1012	350	16	1	1
3	802	374	22	1	1
4	802	350	16	1	1
5	768	310	16	1	3
6	768	80	16	1	1
7	396	860	18	2	1
8	396	860	18	2	1
9	396	156	18	2	1
10	396	156	18	2	1
11	379	100	12	1	2
12	1024	390	3	2	1
13	1024	390	3	2	1



180 min

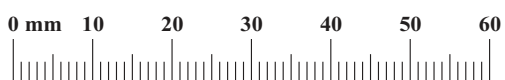
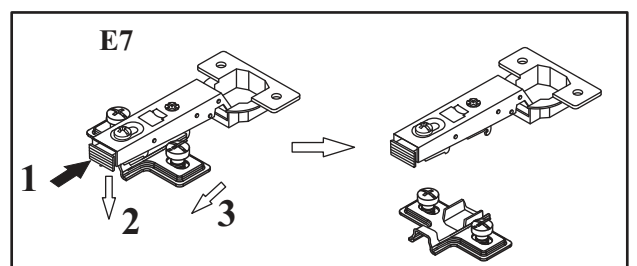
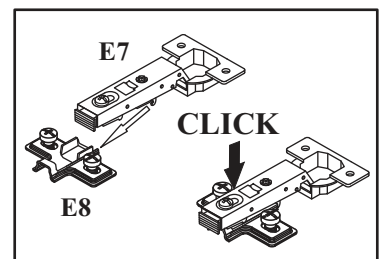




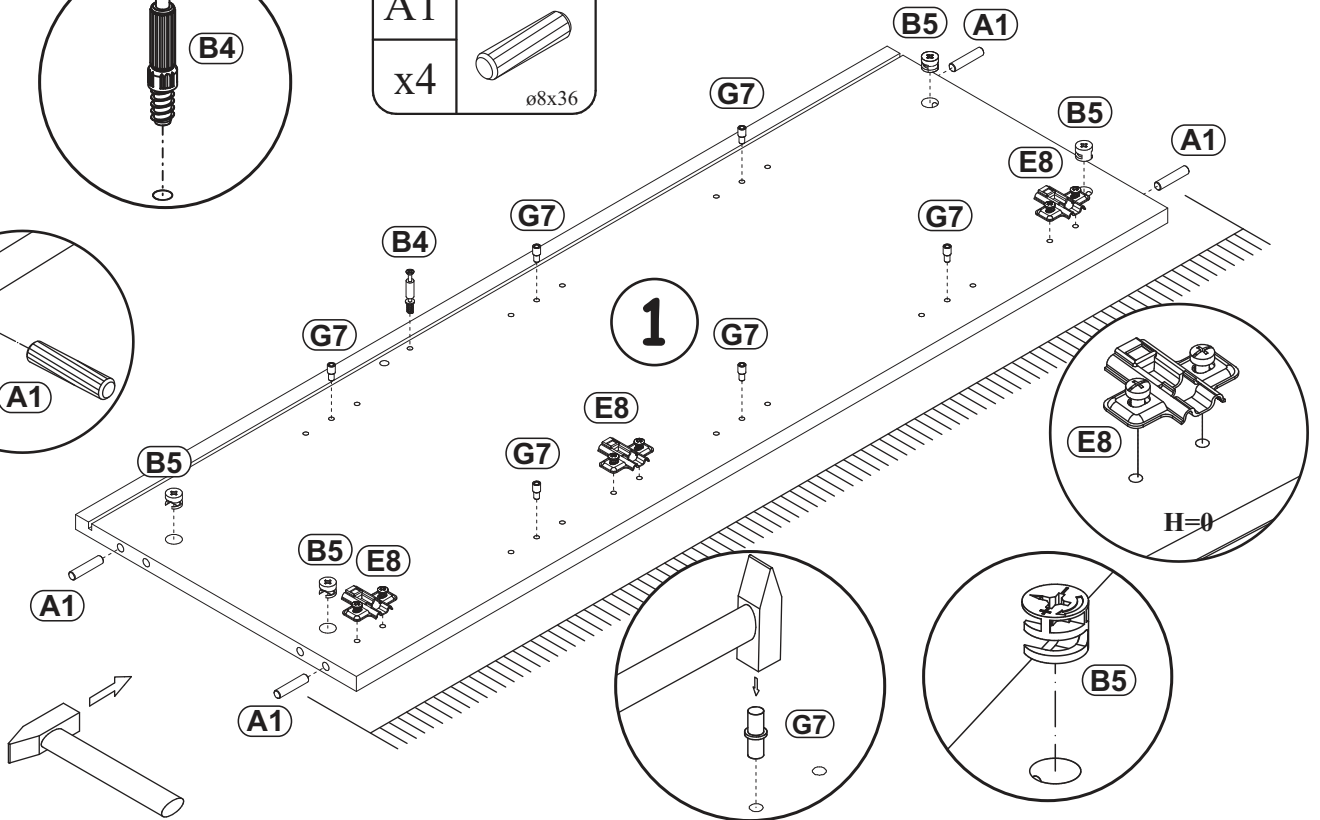
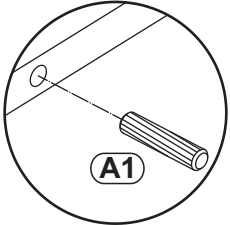
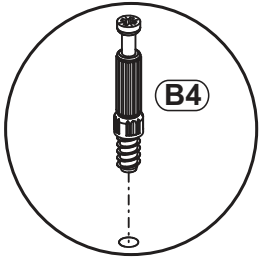
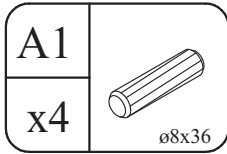
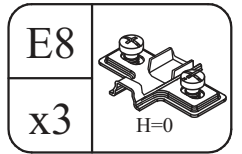
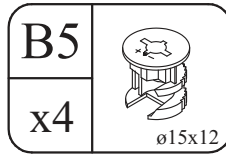
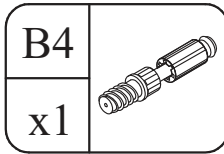
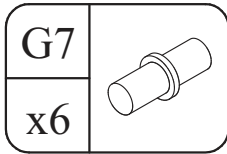


MEMPHIS 50 34 -- 23

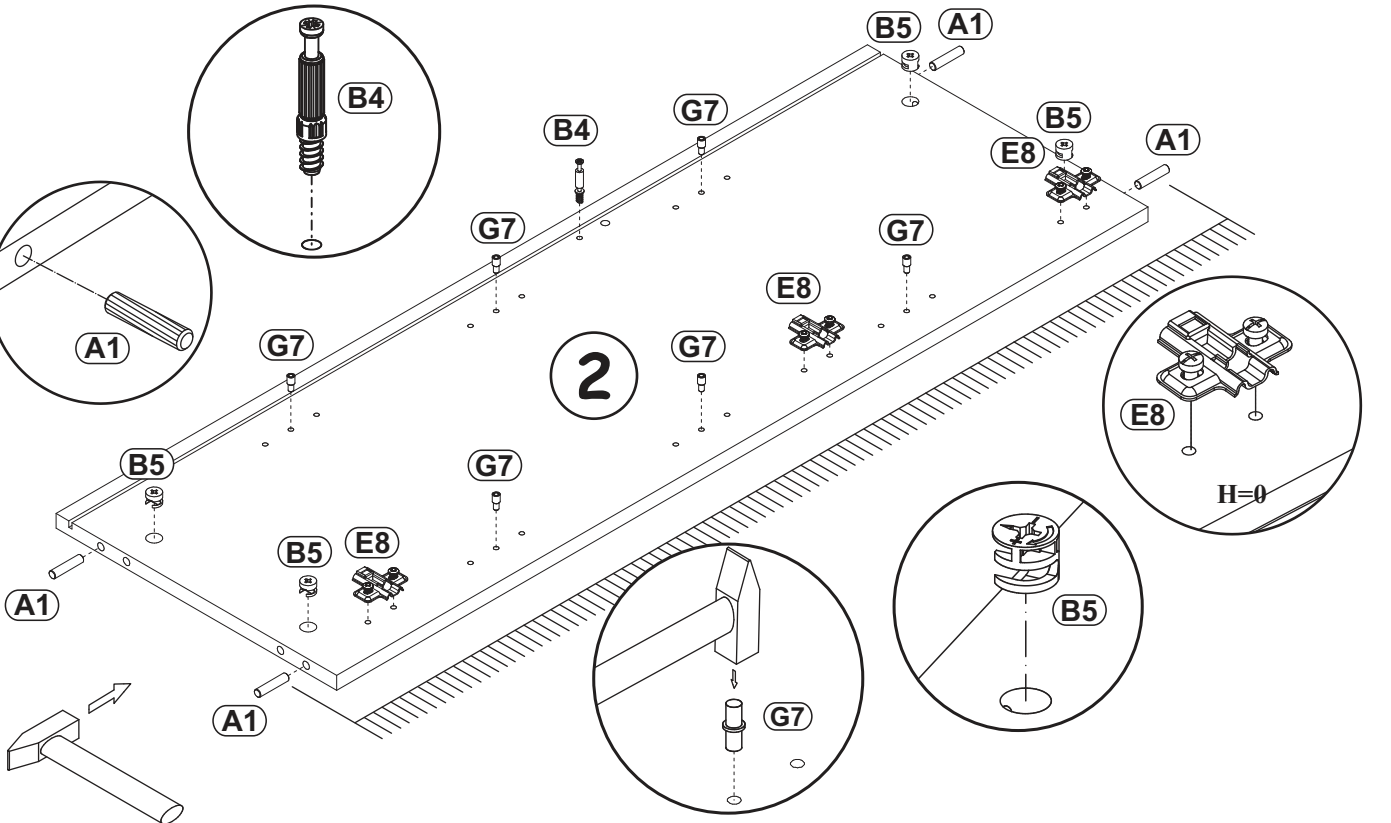
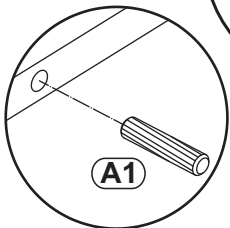
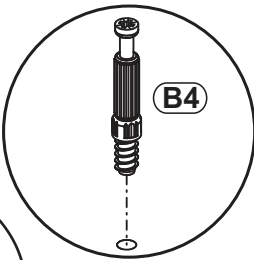
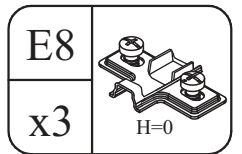
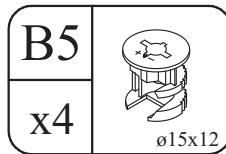
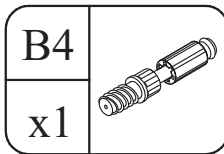
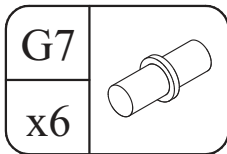
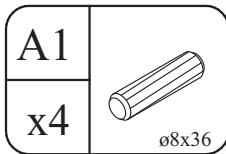
A1 x10 ø8x36	B4 x10	B5 x10 ø15x12	G5 x10	E7 x6 Ø35 H=0	E8 x6 H=0
I11 x4 Ø45, h=15	G7 x12	G20 x2	S1 x16	D10 x14 USØ3,5x13	UP11 x4 UPØ4x20
UP17 x12 UPØ4x25	L1 x1	KR1 x1	G2 x1		



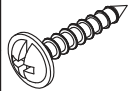
1




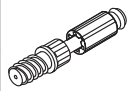
2

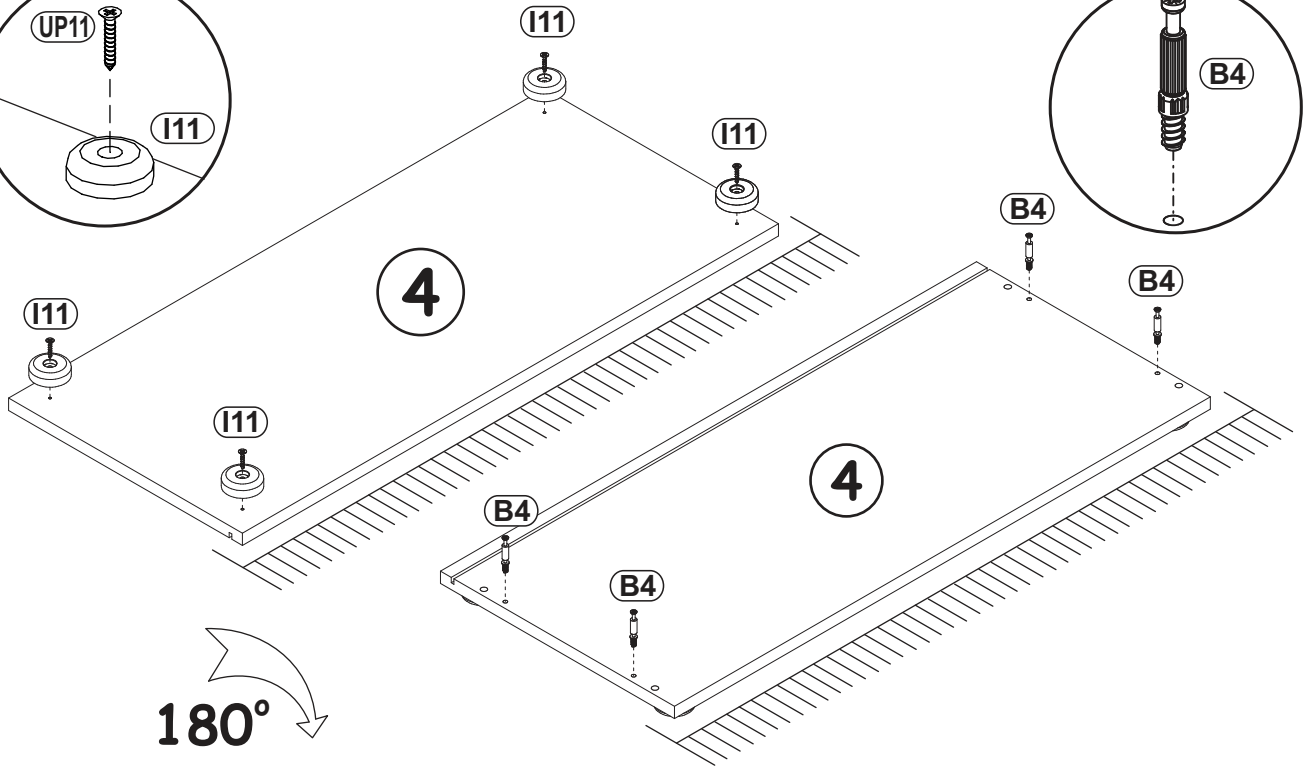
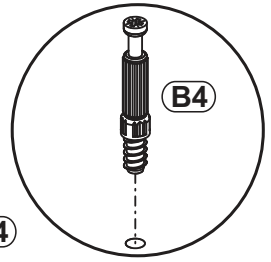
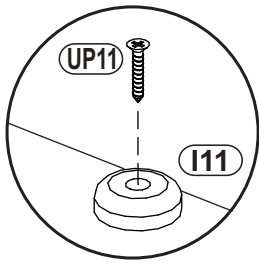


3

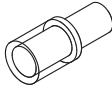
UP11	
x4	UPØ4x20

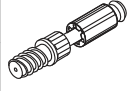
I11	
x4	Ø45, h=15

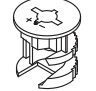
B4	
x4	

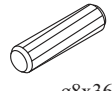


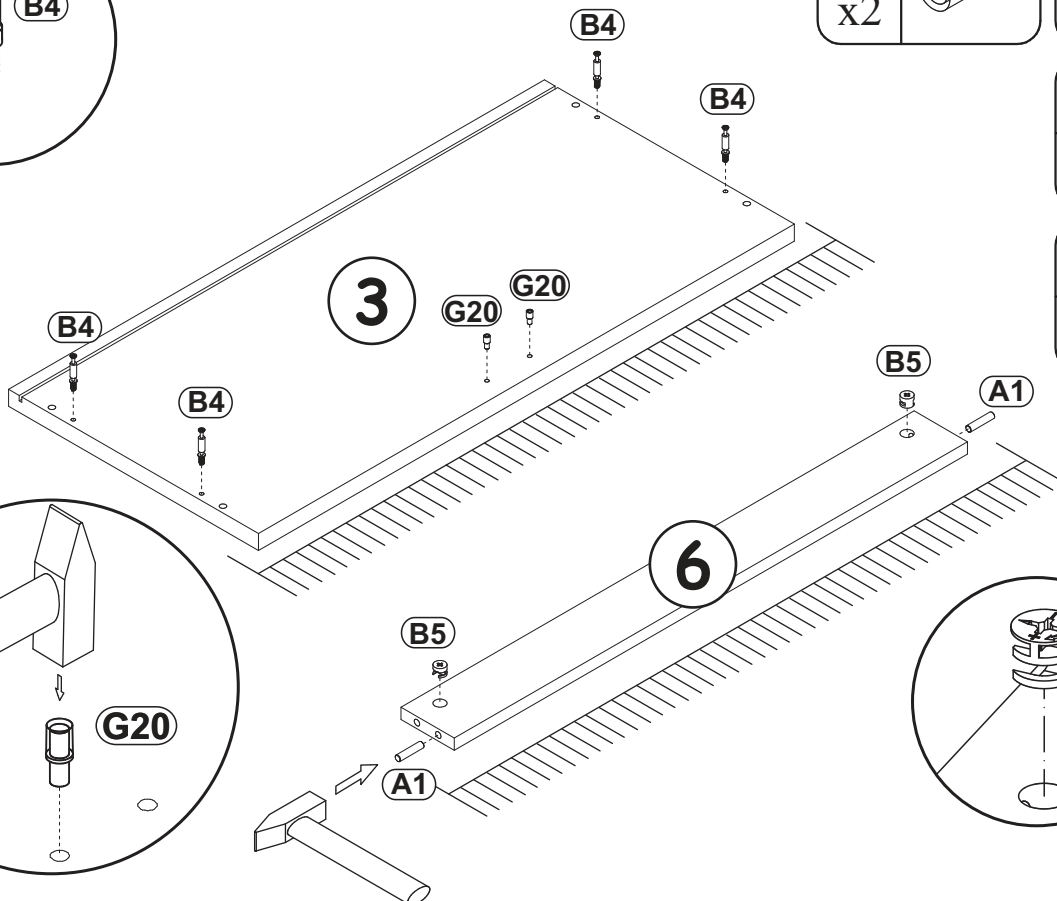
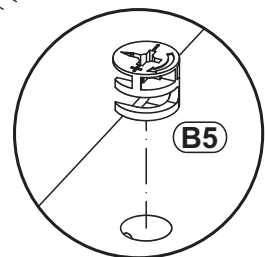
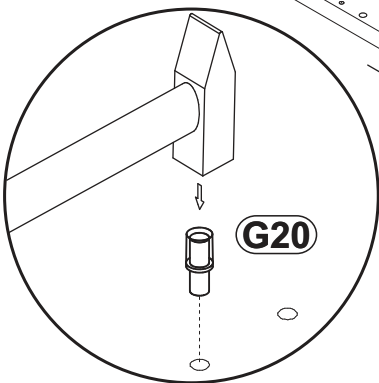
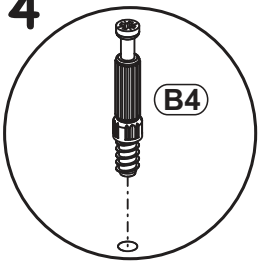
4

G20	
x2	


B4	
x4	

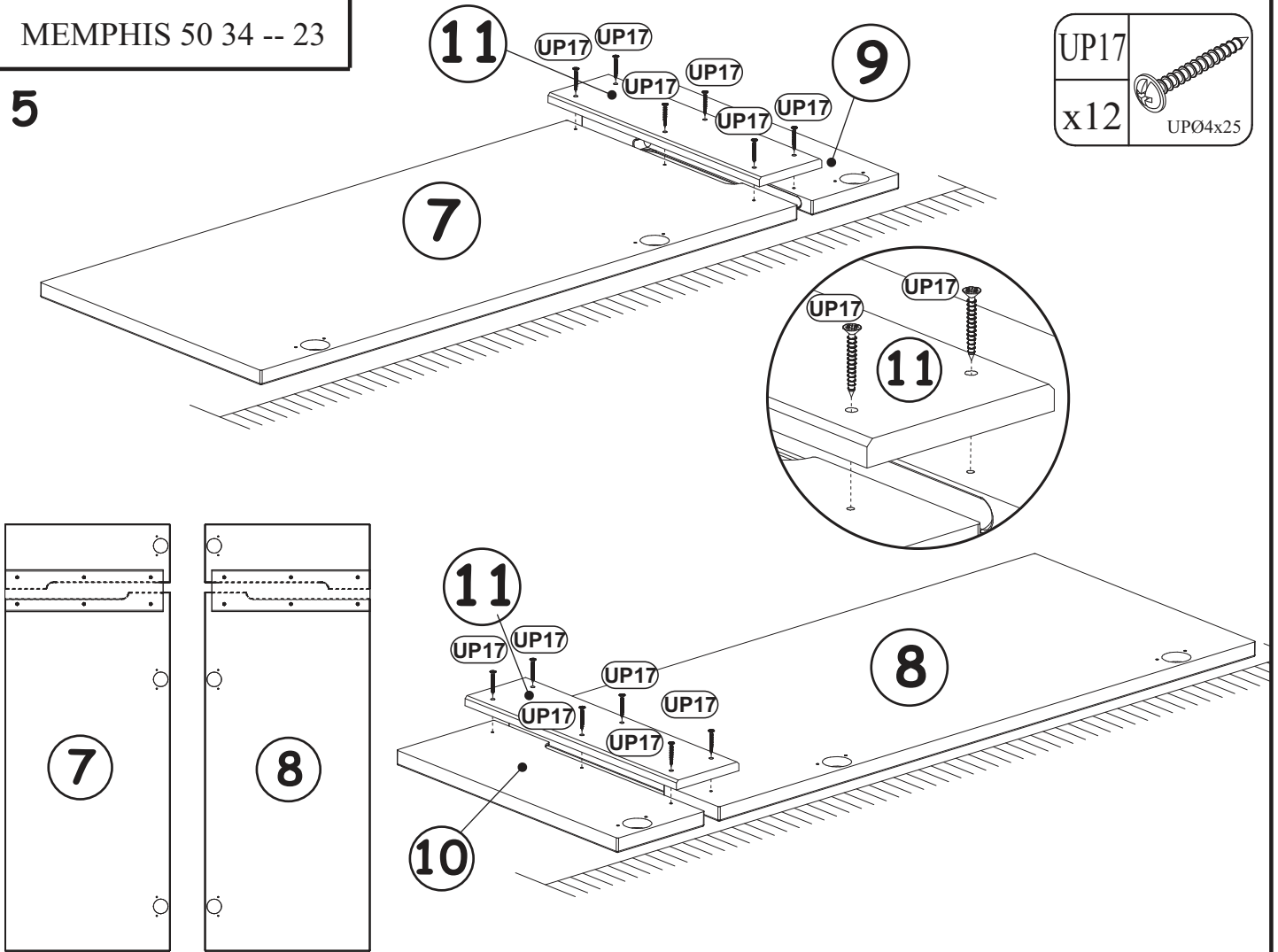
B5	
x2	Ø15x12

A1	
x2	Ø8x36



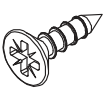
5

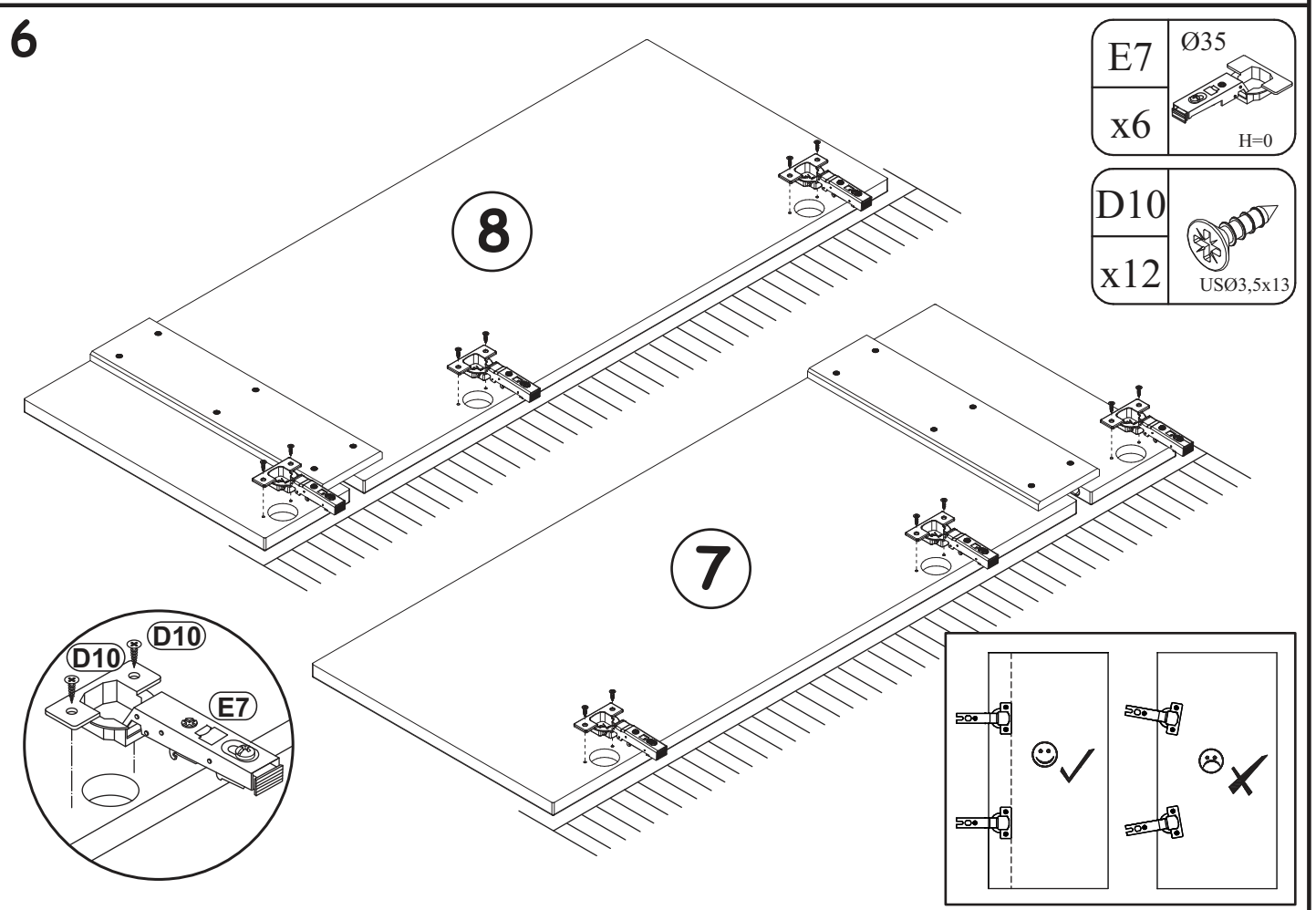
UP17	
x12	UPØ4x25




6

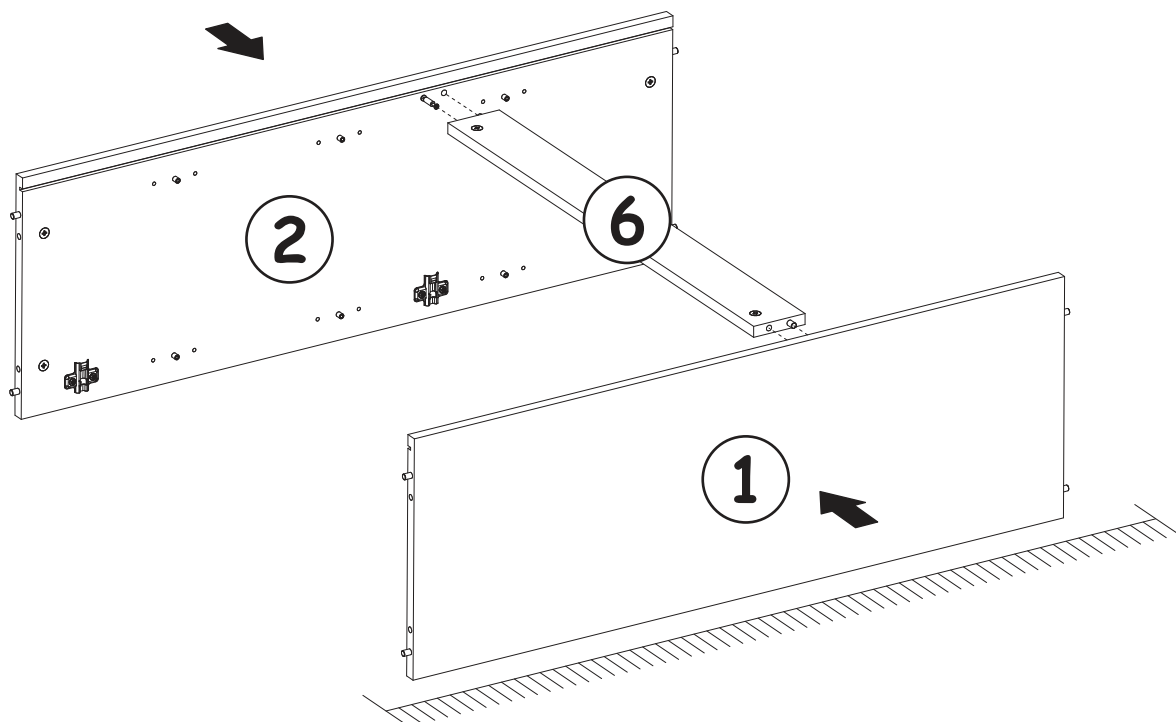
E7	Ø35
x6	H=0

D10	
x12	USØ3,5x13

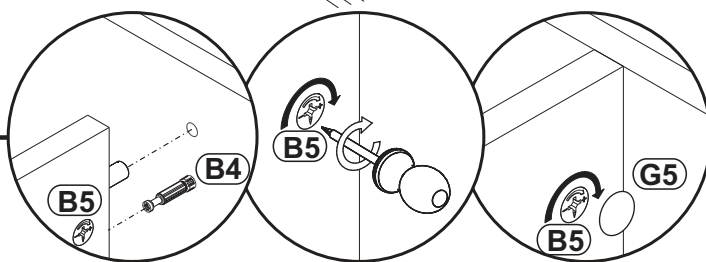



G5	
x2	

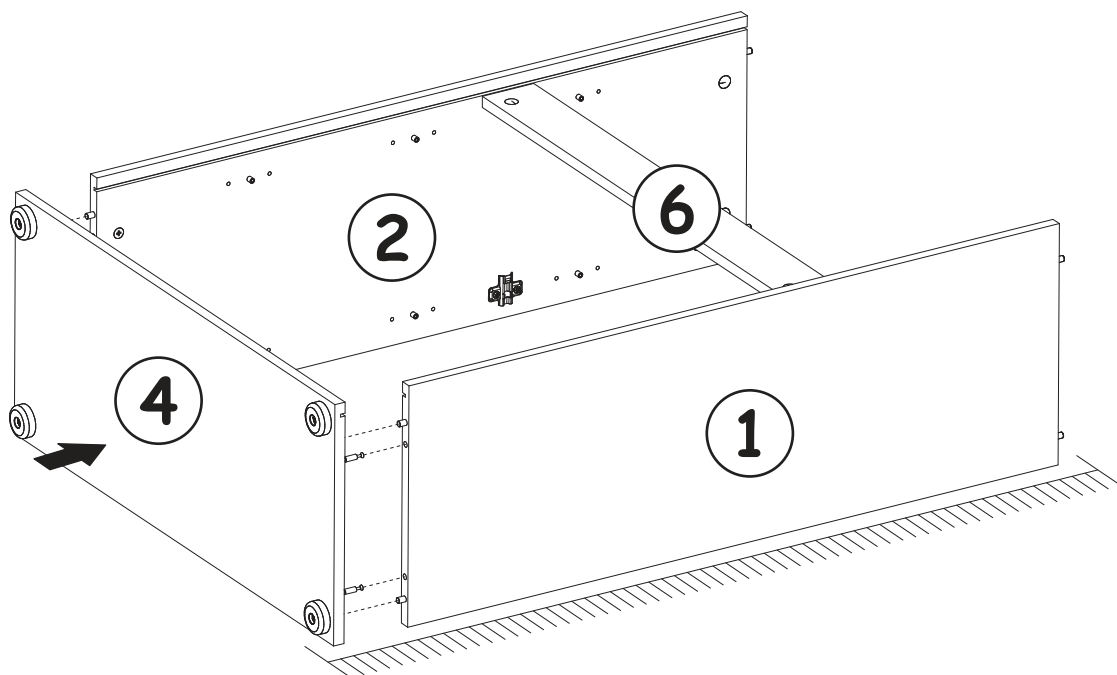
7



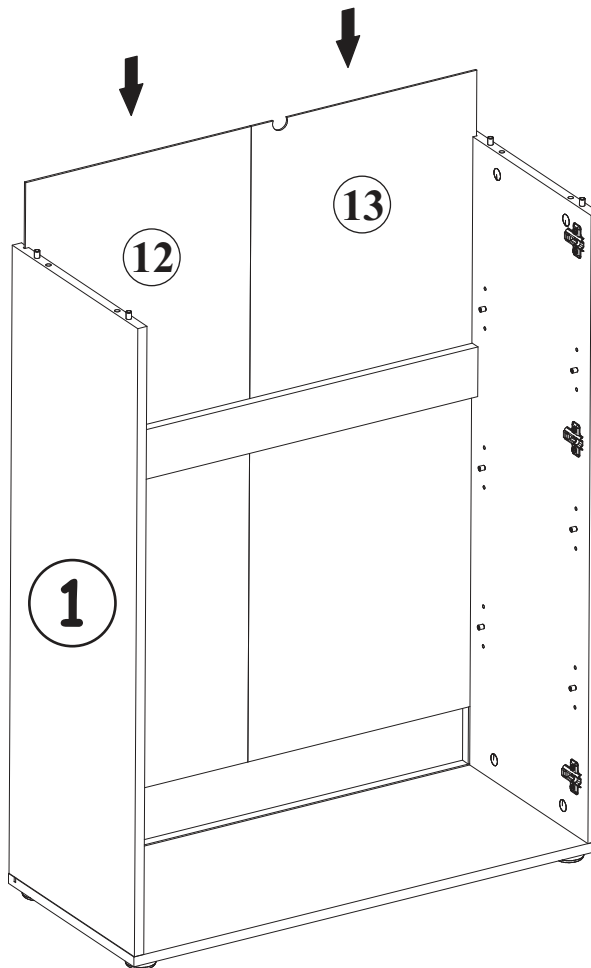
8



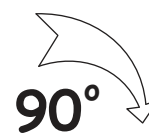
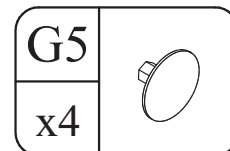
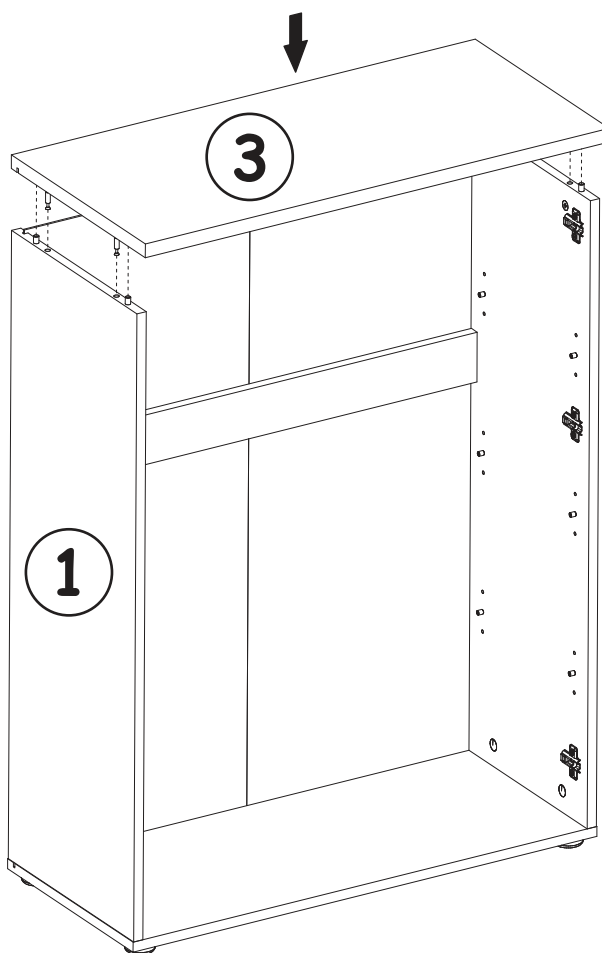
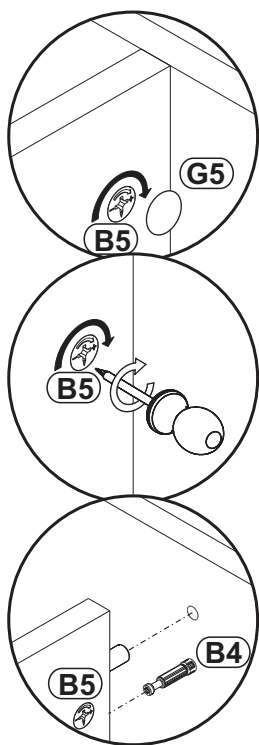
G5	
x4	



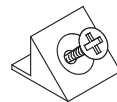
9



10

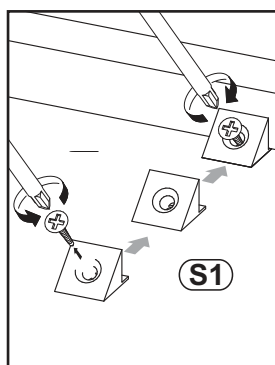
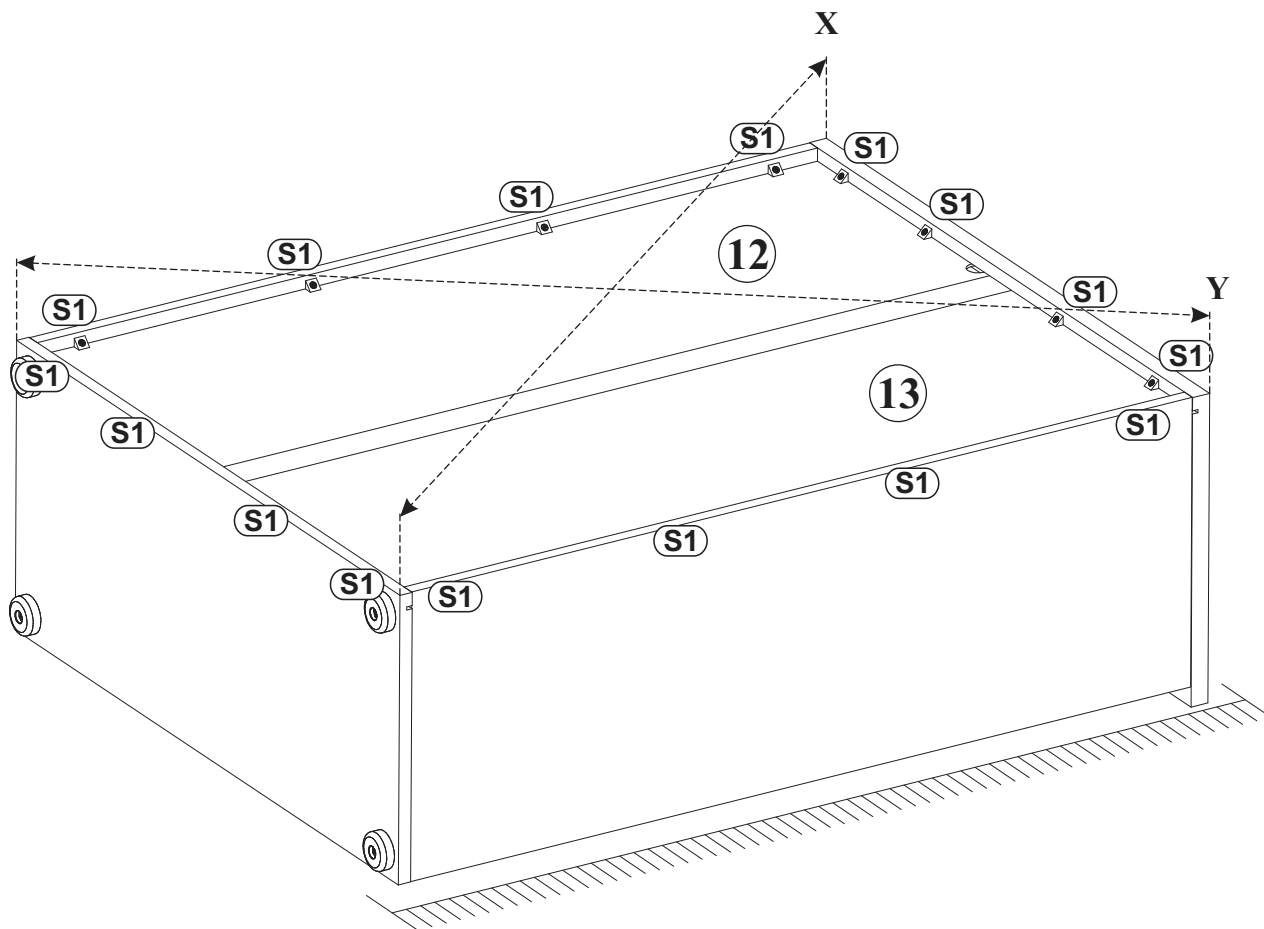
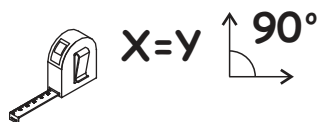


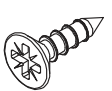
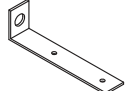

S1



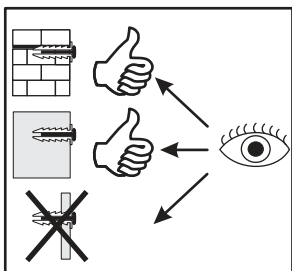
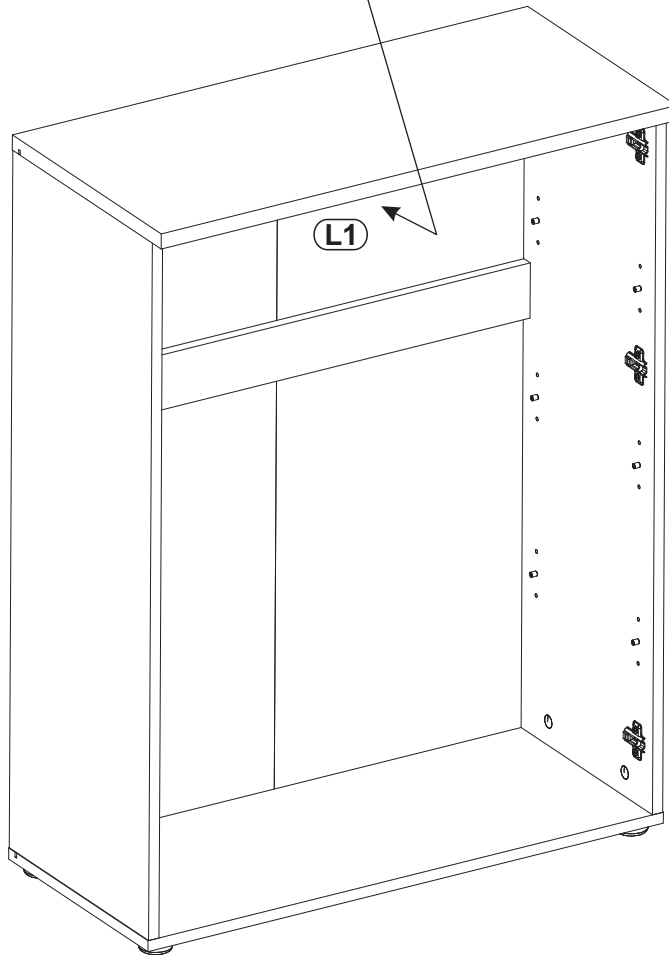
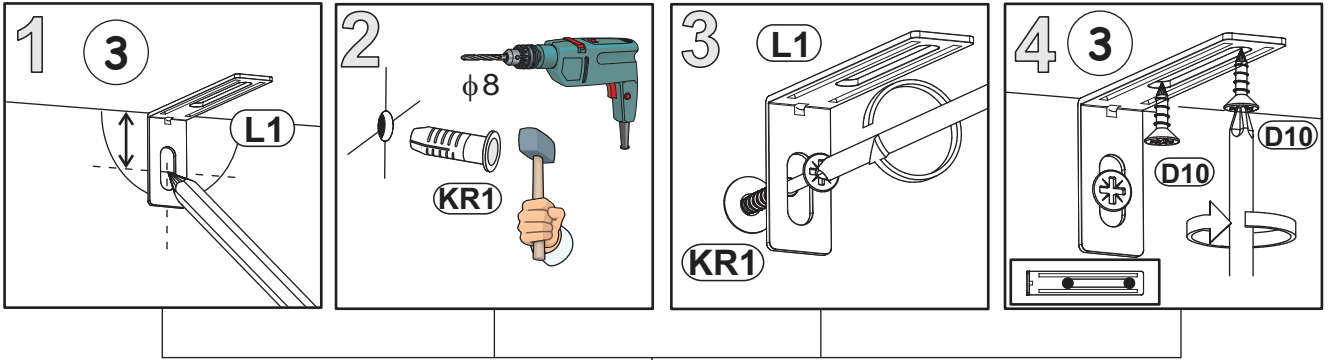
x16

11

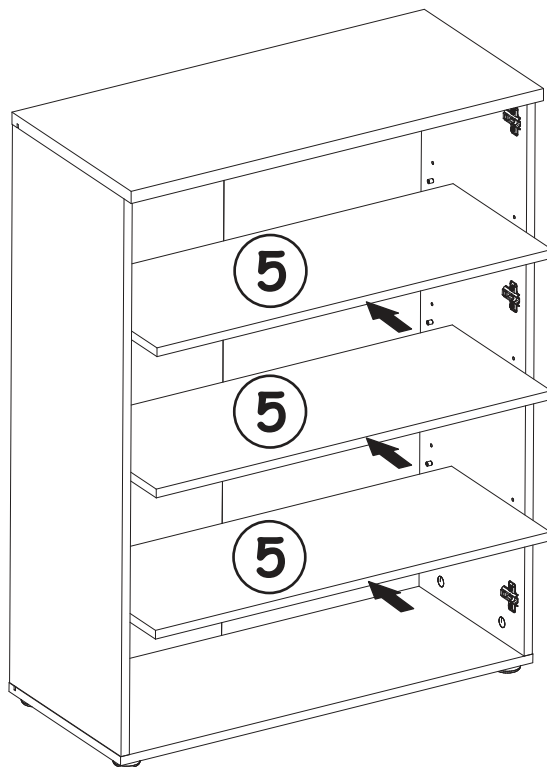


D10		L1		KR1	
x2	USØ3,5x13	x1		x1	

12



13



14

