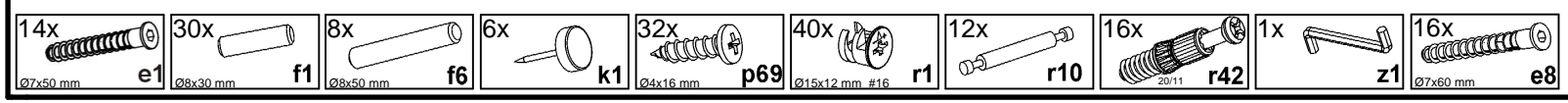
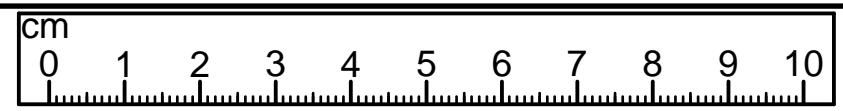
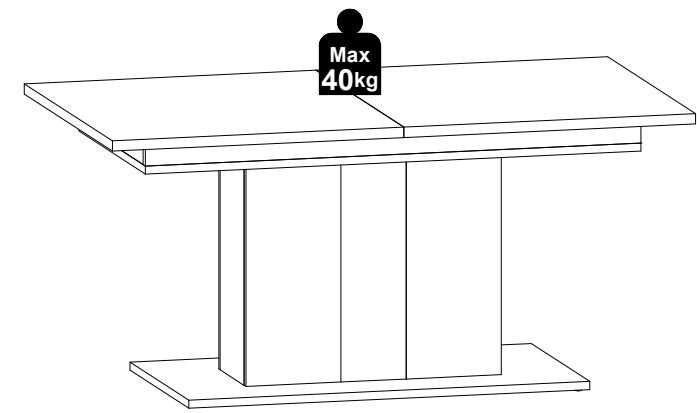
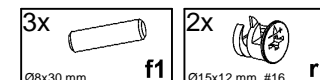
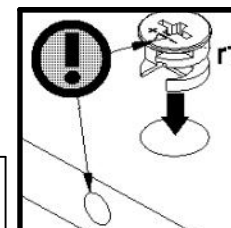
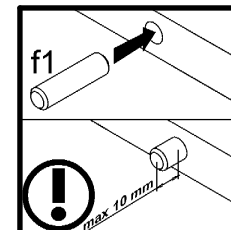
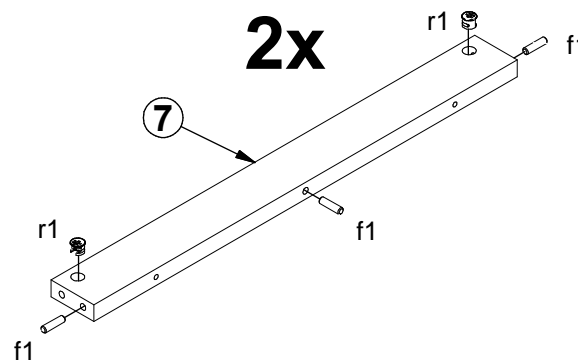
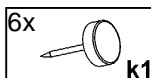
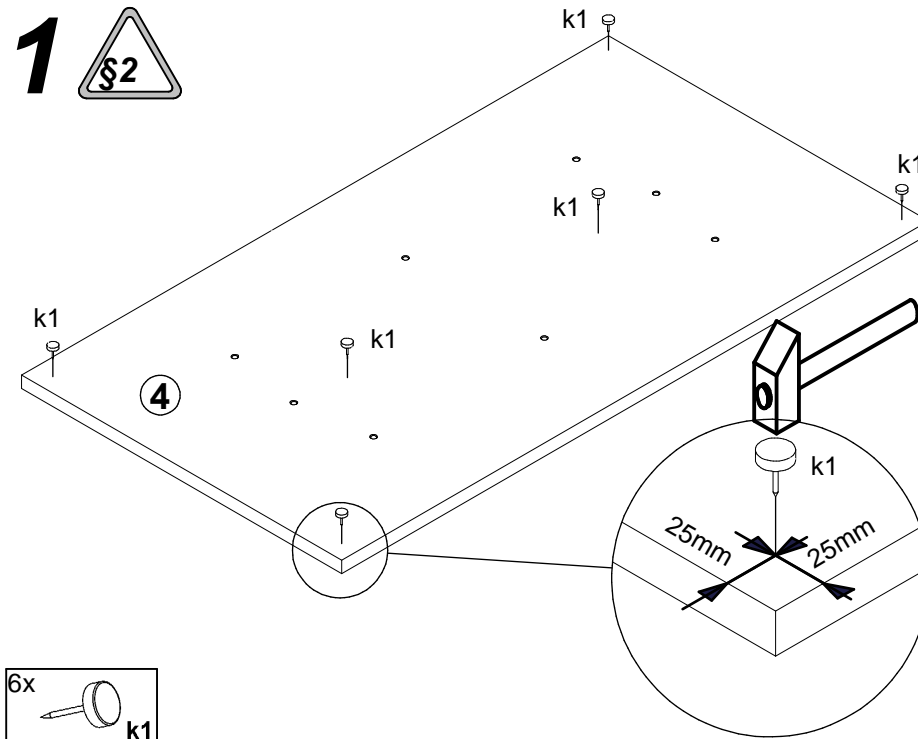
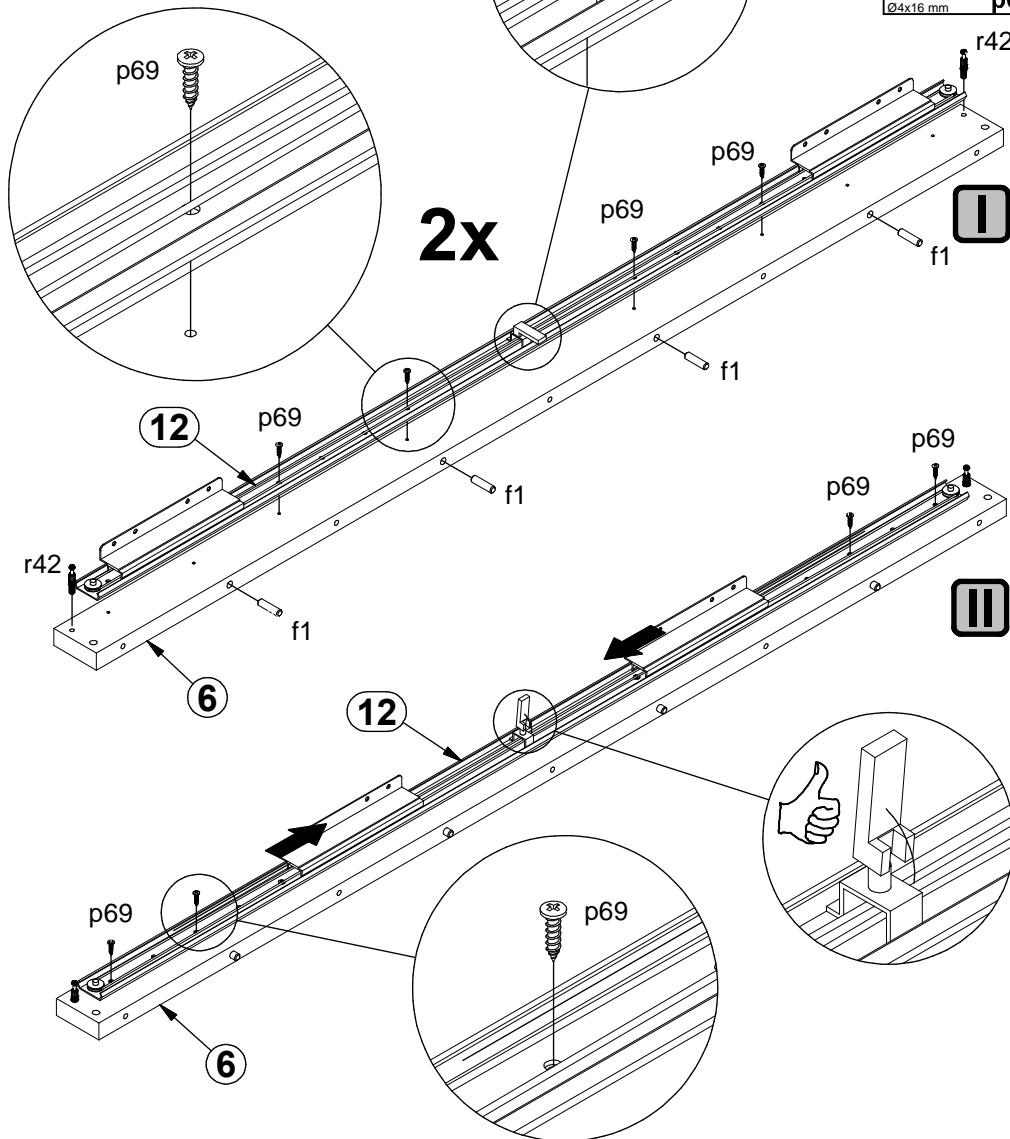
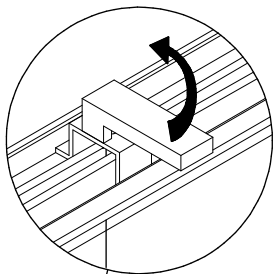
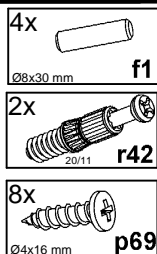
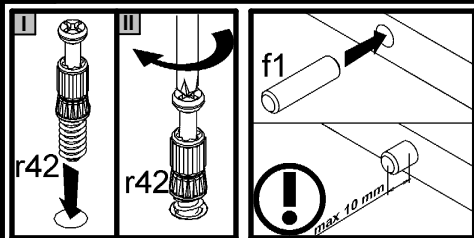


A	B	C1	C2	C3	D
1	S266-2021	800	900	28	3/3
2	S266-2022	800	900	28	3/3
3	S266-2023	500	900	28	1/3
4	S266-2024	600	1100	22	2/3
5	S266-2025	1360	680	22	2/3
6	S266-4010	1360	64	22	2/3
7	S266-4011	635	64	22	2/3
9	S507-7006	620	260	18	1/3
10	S507-7007	620	180	16	1/3
8	S507-7005	620	244	18	1/3
12	w121				2/3



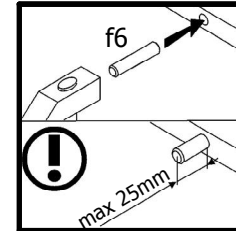
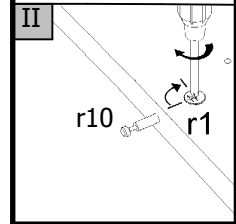
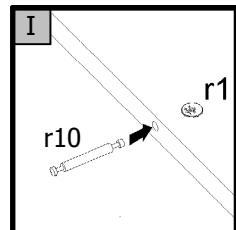
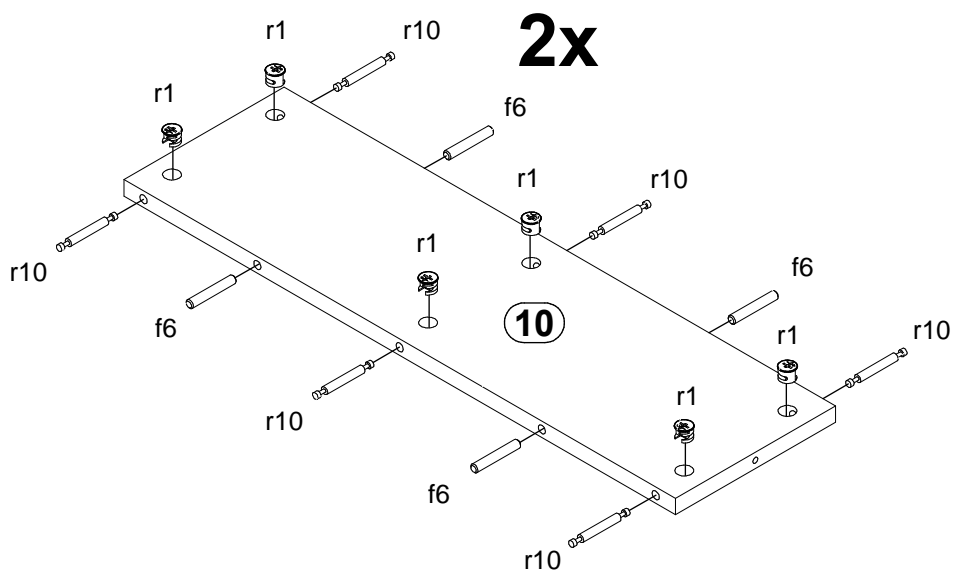
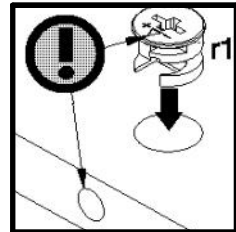
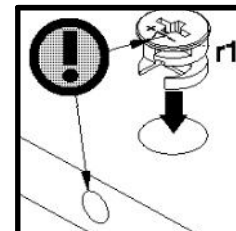
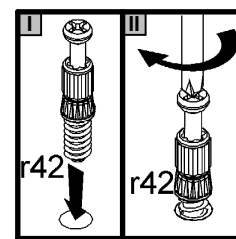
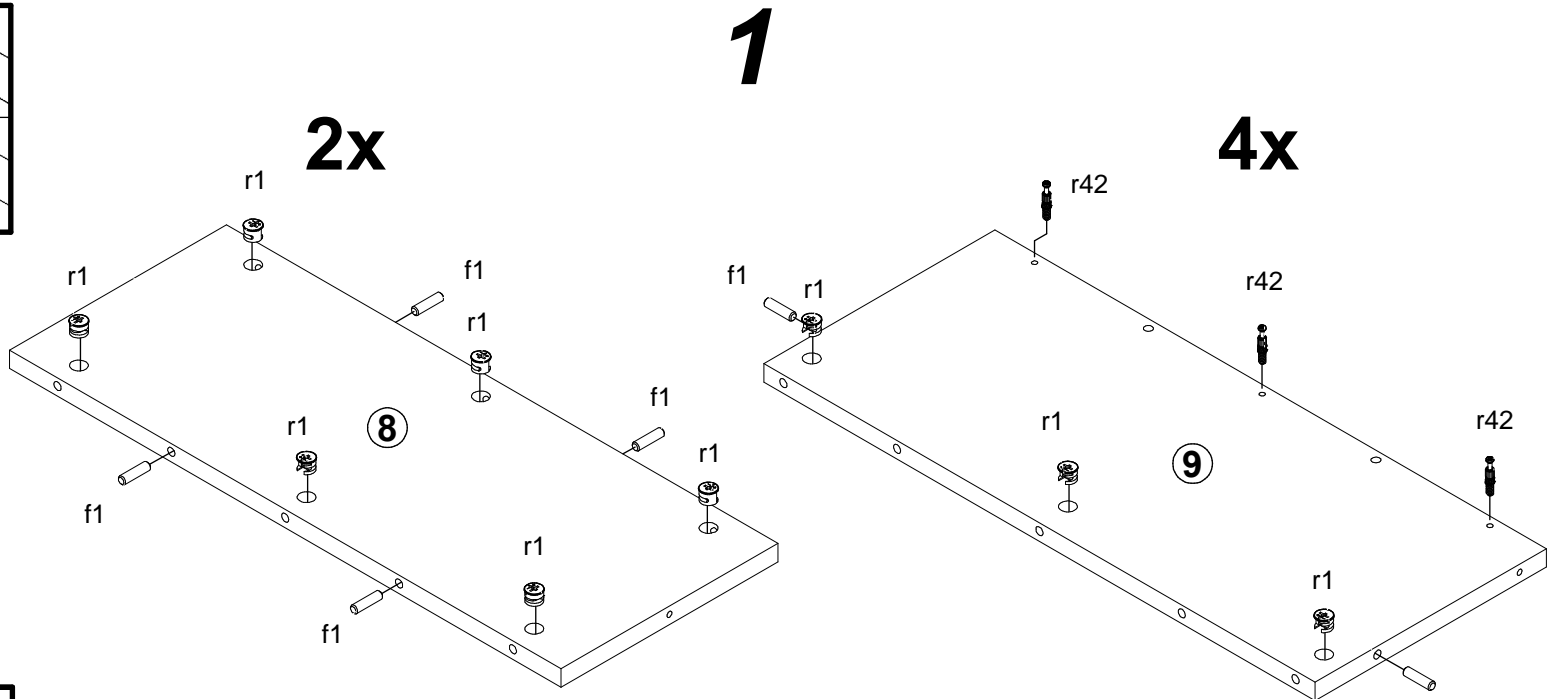
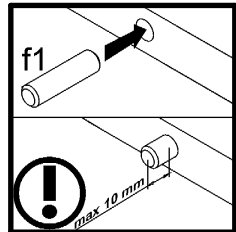


A


S507-STO/8/16

20H9--01


4 / 8



- 3x

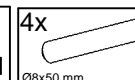


r42
- 15x



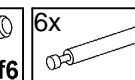
r1

Ø15x12 mm #16
- 4x

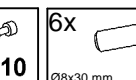


f6

Ø8x50 mm
- 6x

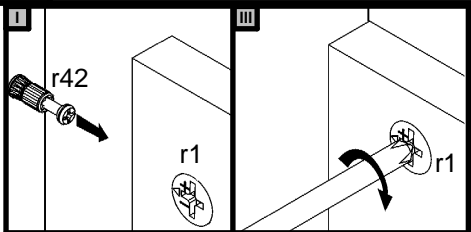


r10
- 6x

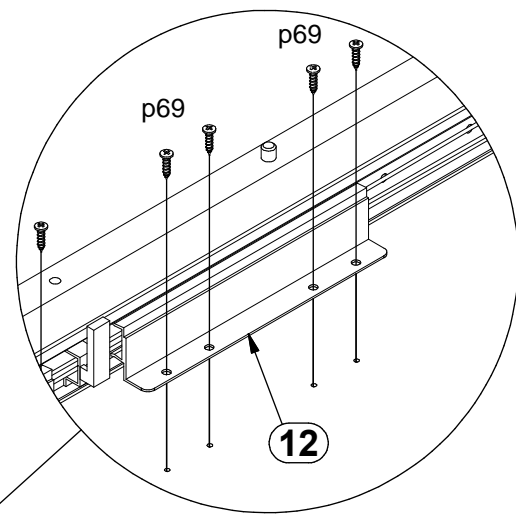
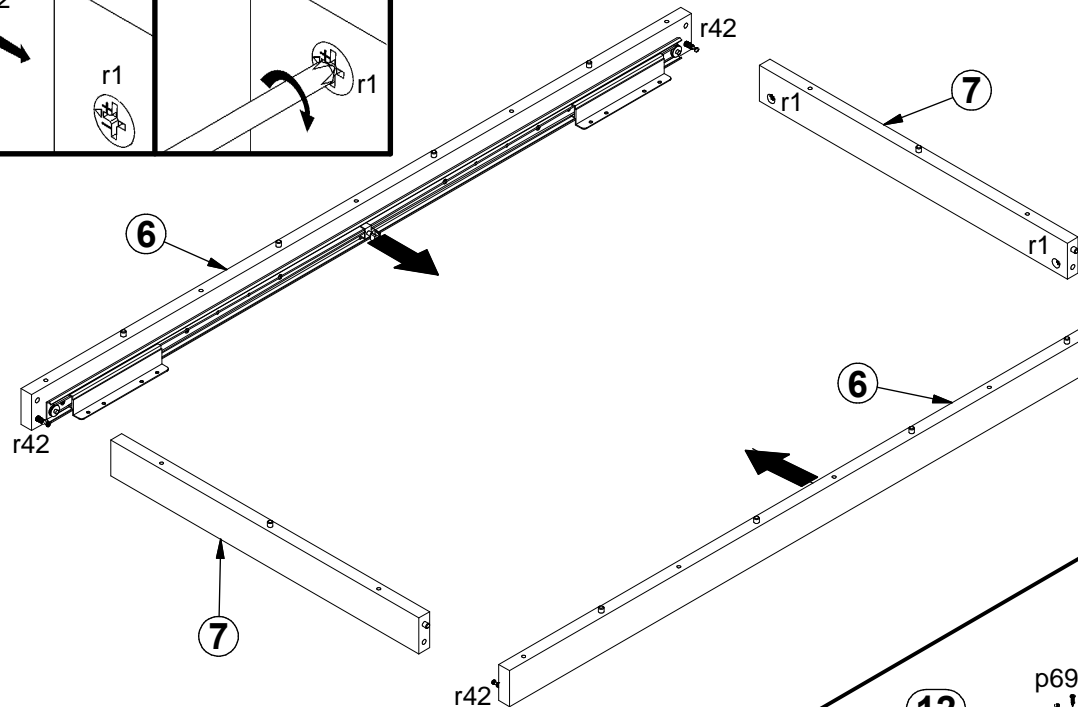


f1

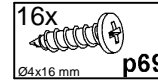
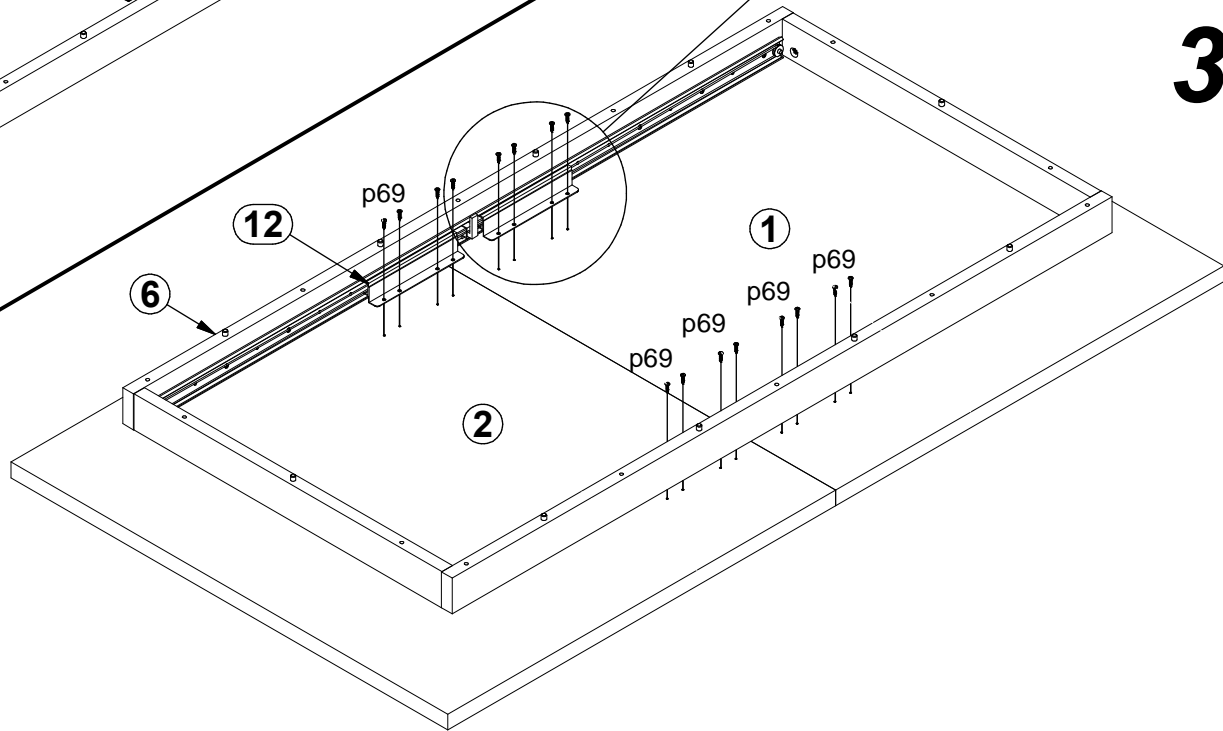
Ø8x30 mm



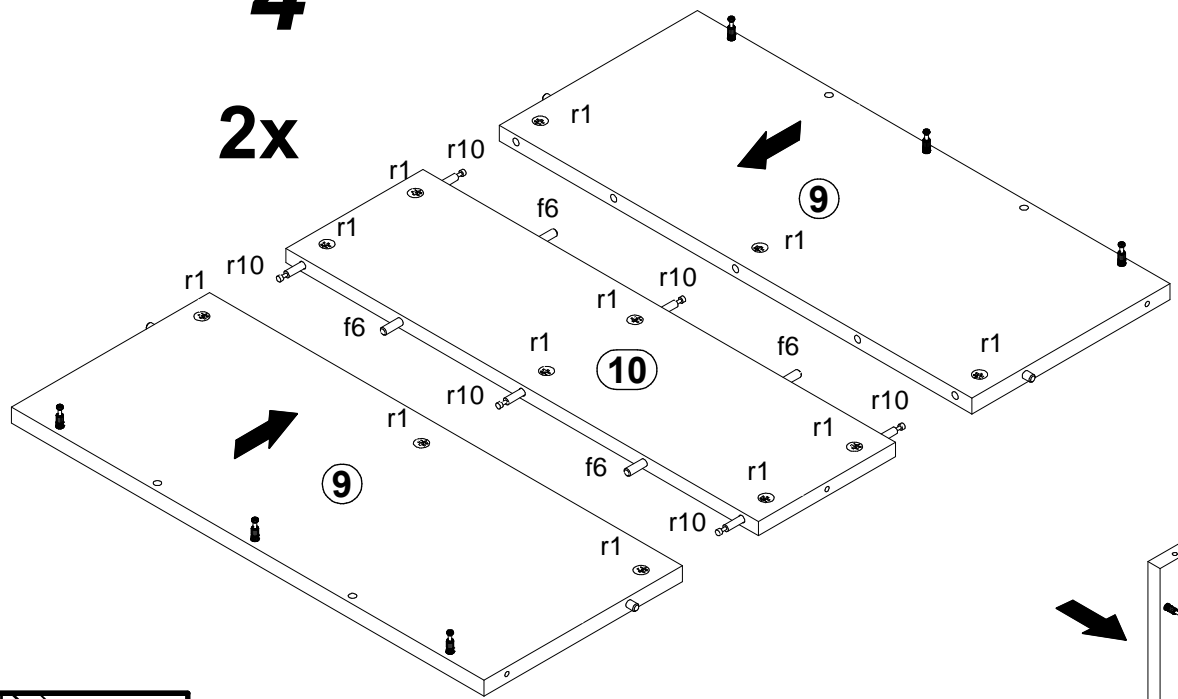
2 



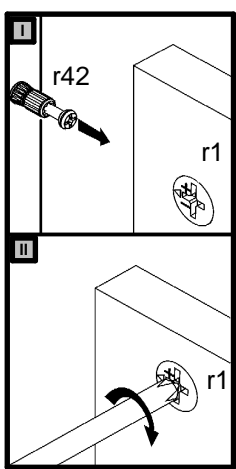
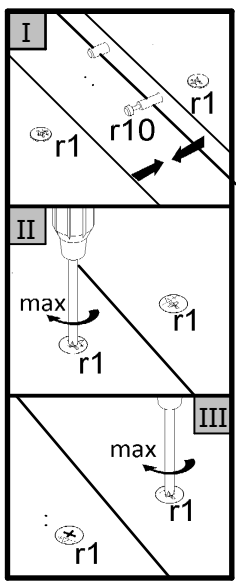
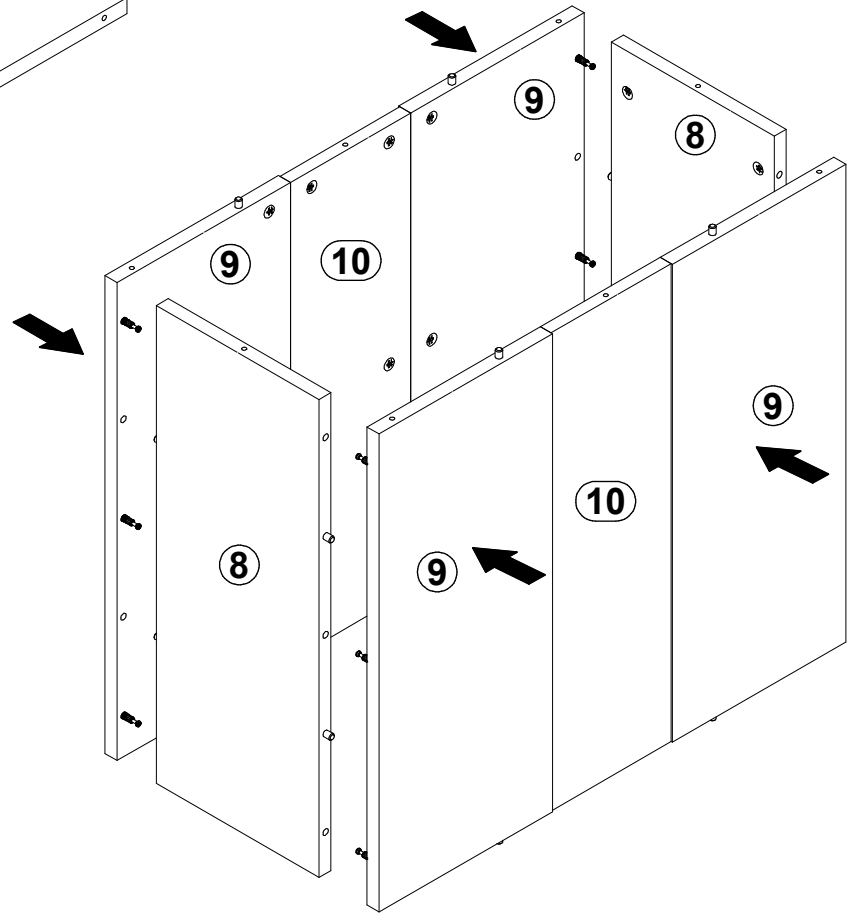
3

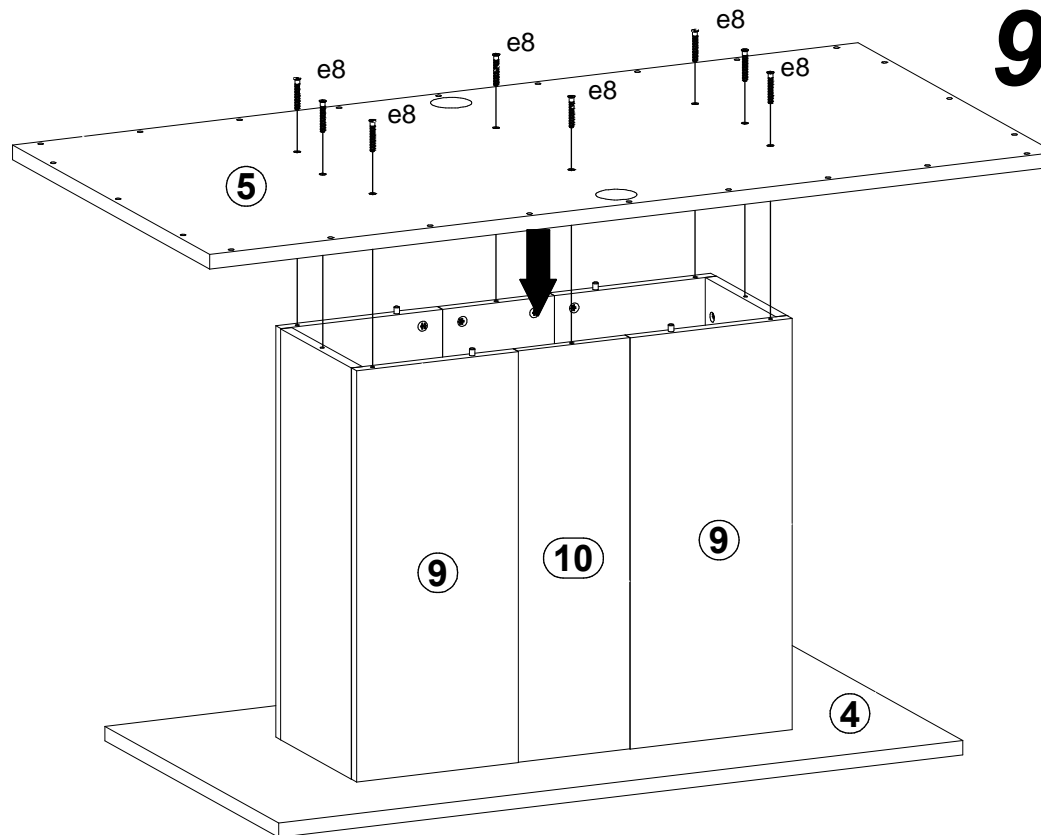
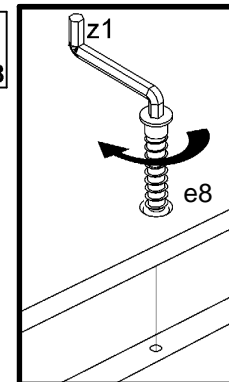
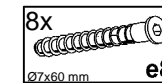
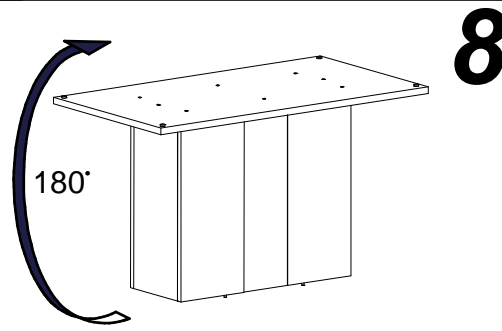
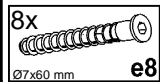
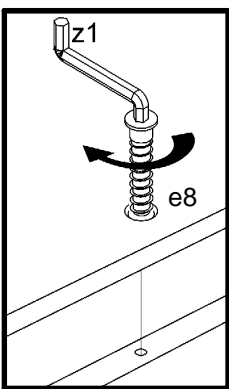
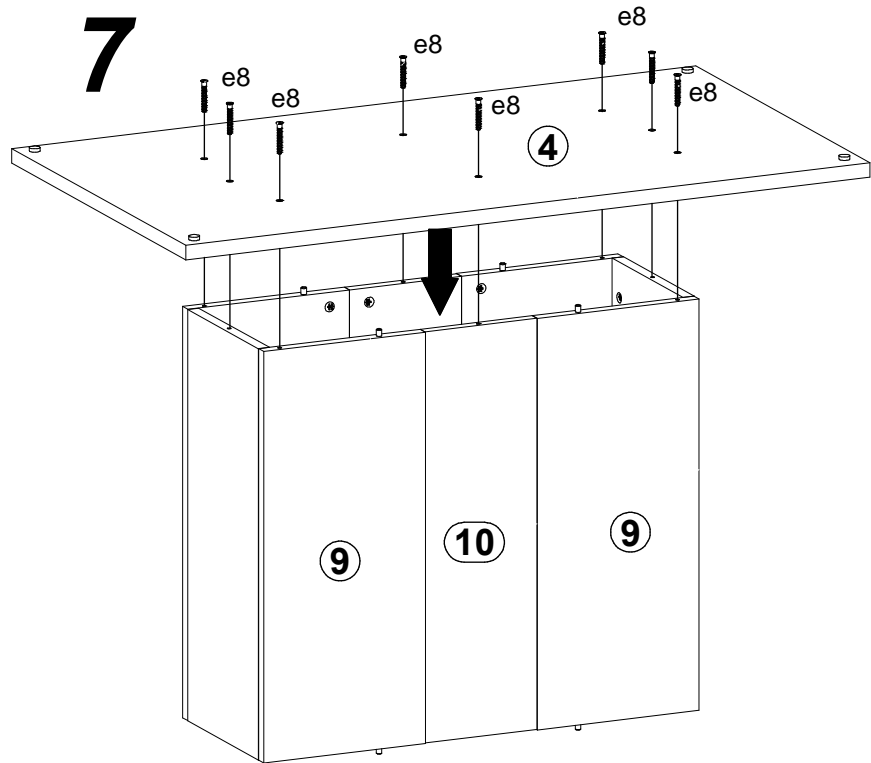


4
2x

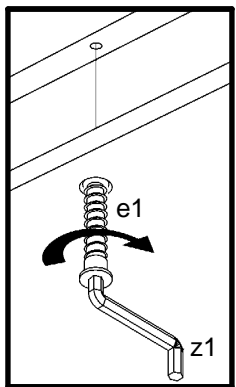
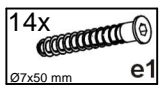
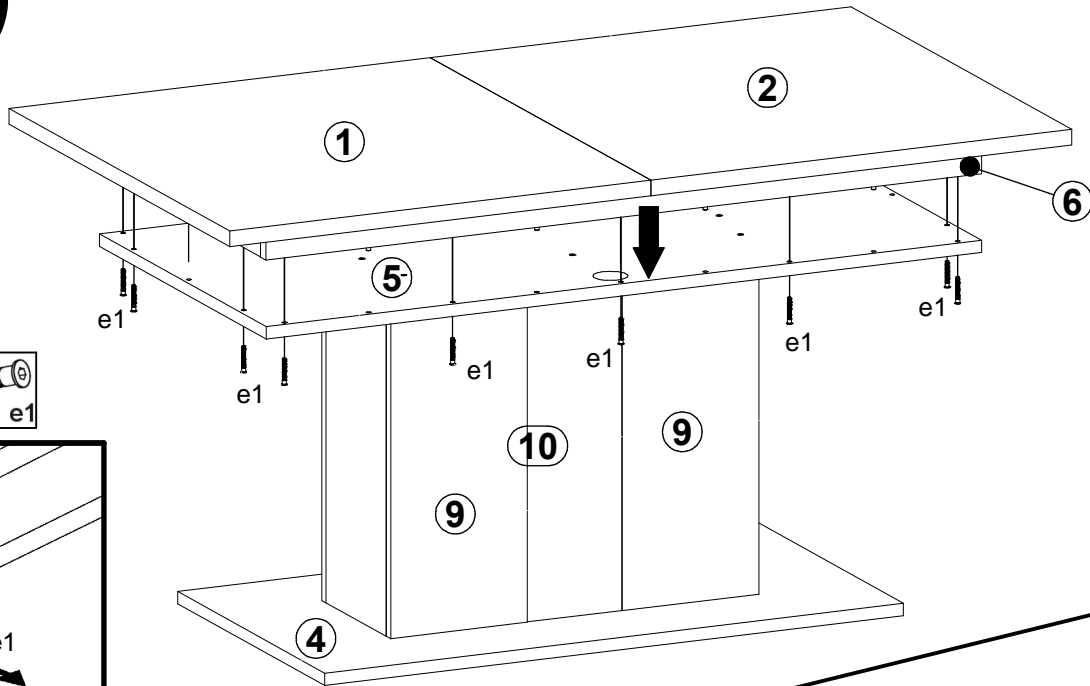


5

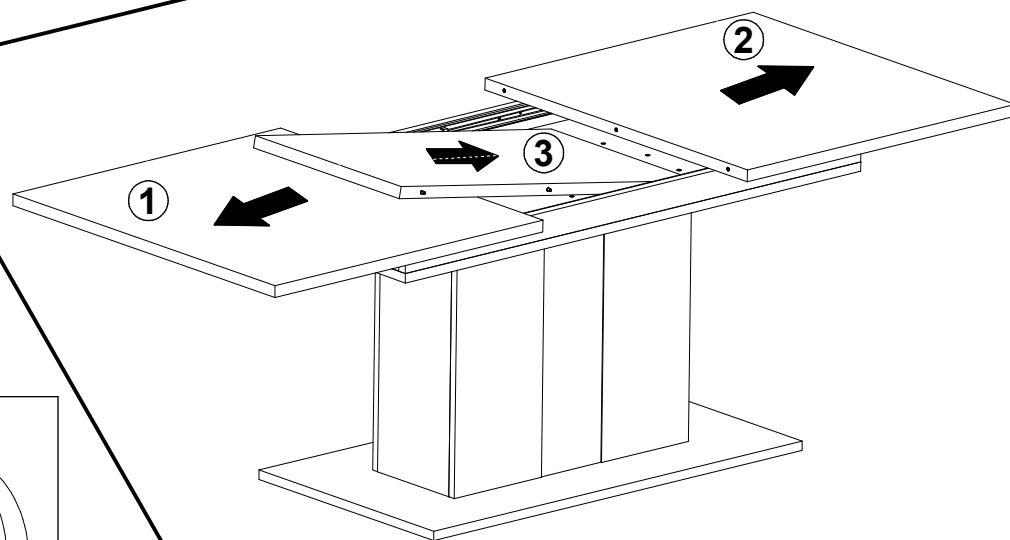




10



11



12

