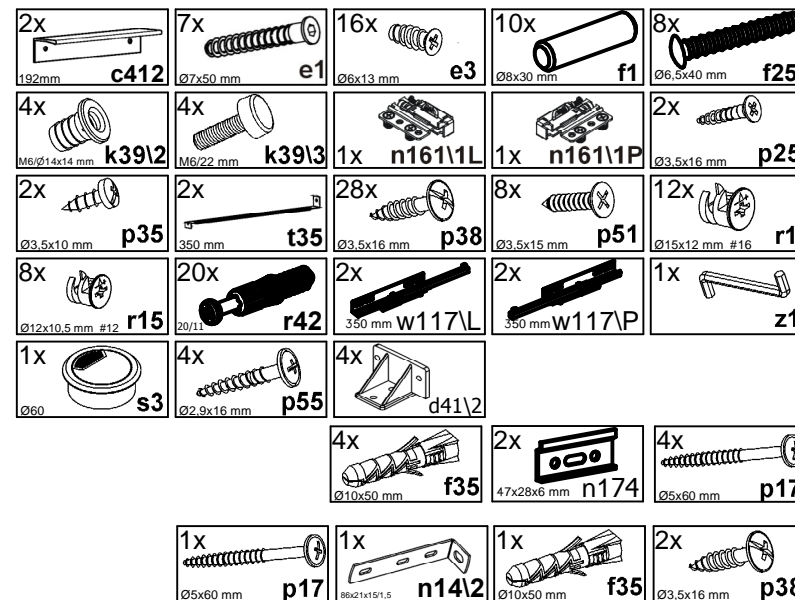
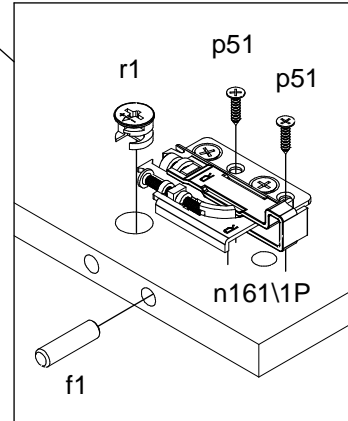
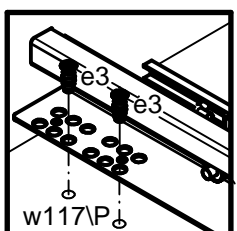
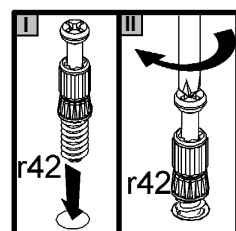
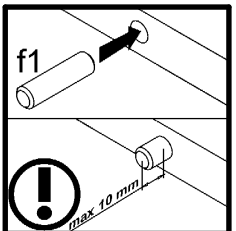
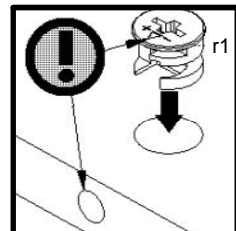
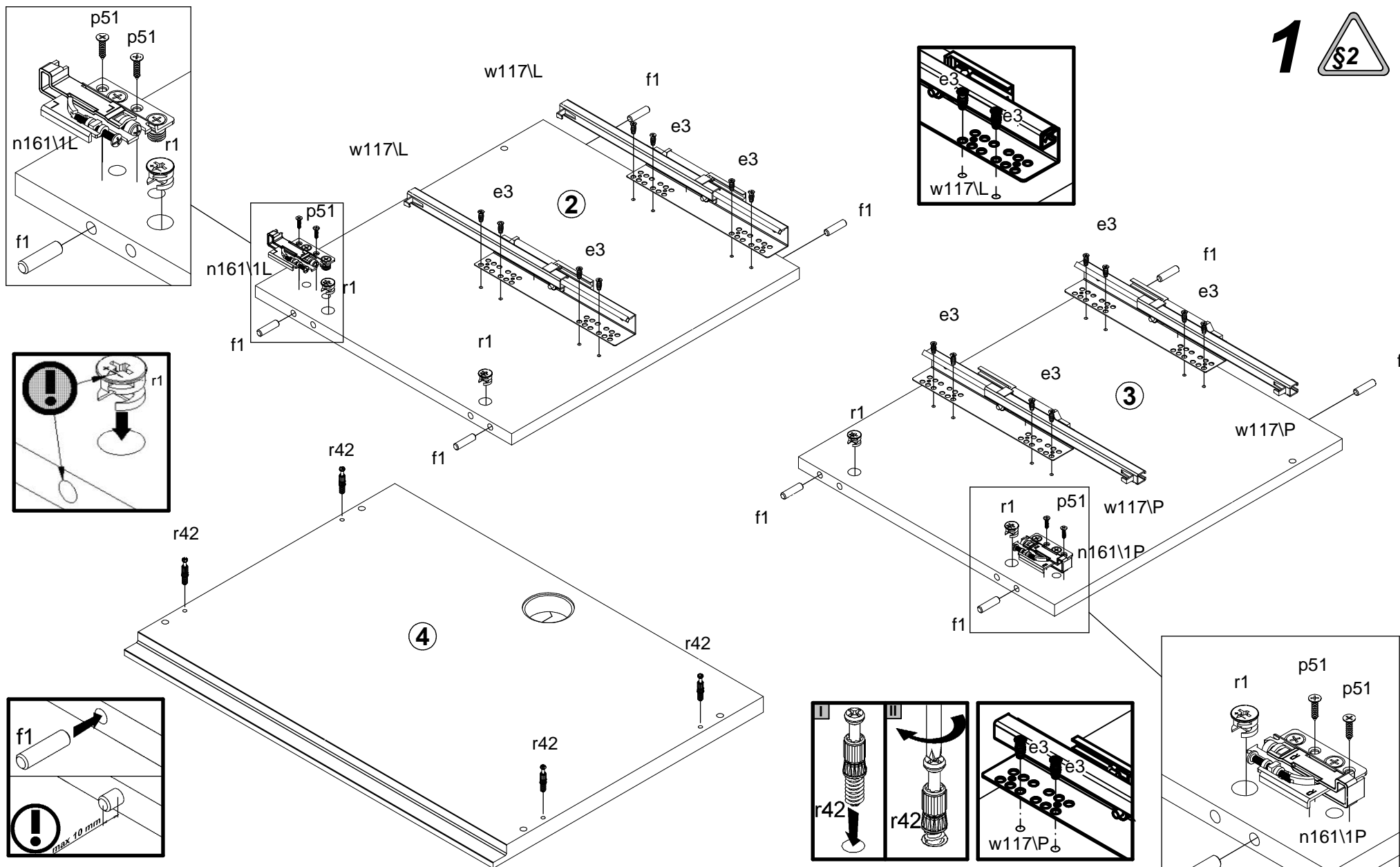


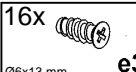
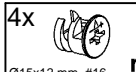




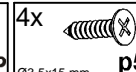


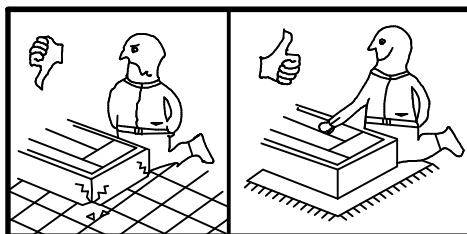
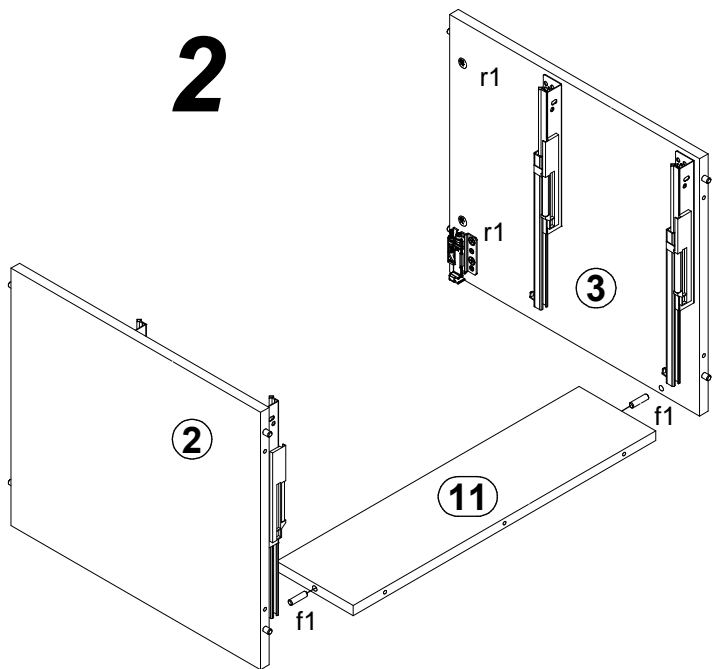
A	B	C1	C2	C3	D
1	S507-0005	596	244	19	1/1
2	S507-1014A	468	417	16	1/1
3	S507-1015A	468	417	16	1/1
4	S507-2006	600	440	22	1/1
5	S507-2007	600	418	16	1/1
6	S507-4002	290	100	16	1/1
7	S507-4005	290	100	16	1/1
8	S507-4006	500	100	16	1/1
9	S507-4009	599	100	16	1/1
10	S507-4010	467	100	16	1/1
11	S507-4503	567	144	16	1/1
12	WSP-9281	537	358	2,5	1/1
13	ZQ6-5079	527	127	15	1/1
14	ZQ6-511	350	140	12	1/1
15	ZQ6-512	350	140	12	1/1



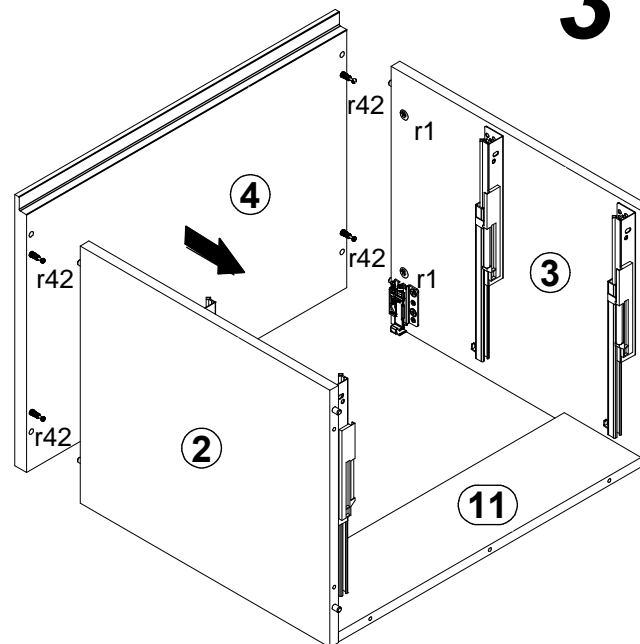


- 2x  350 mm W117L
- 2x  350 mm W117P
- 16x  Ø6x13 mm e3
- 4x  Ø15x12 mm #16 r1
- 4x  20/11 r42
- 8x  Ø8x30 mm f1
- 1x  n161\1L
- 1x  n161\1P
- 4x  Ø3,5x15 mm p51

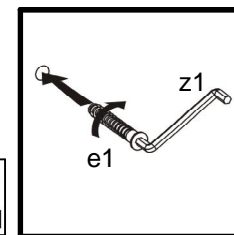
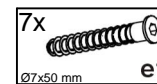
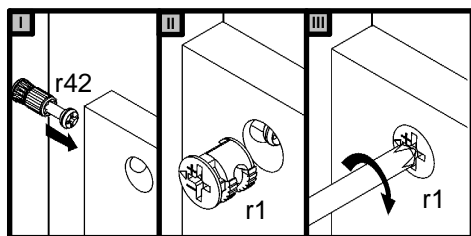
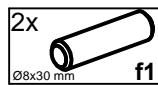
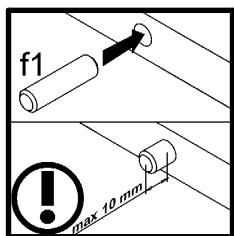
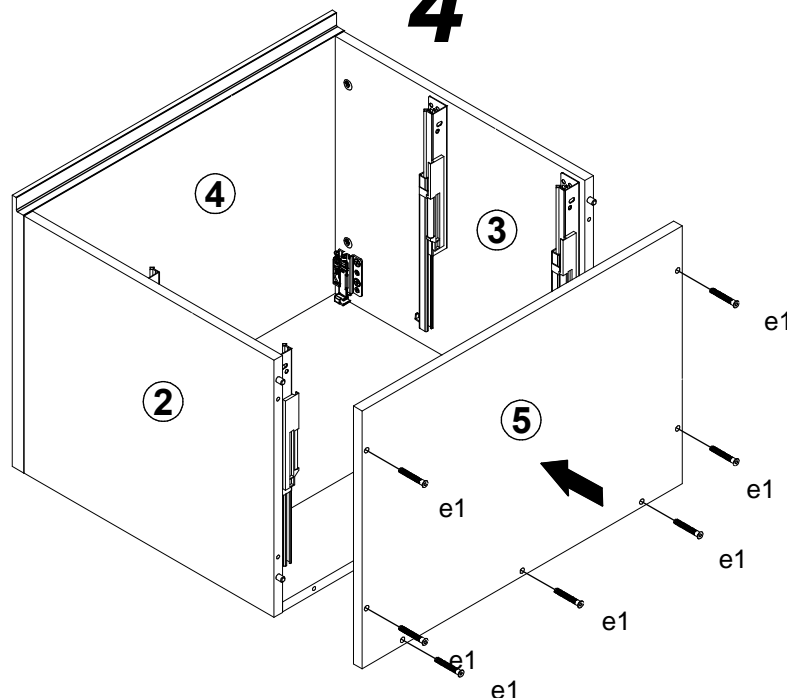
2



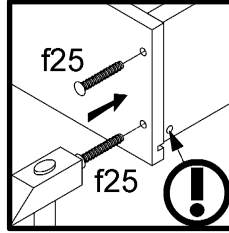
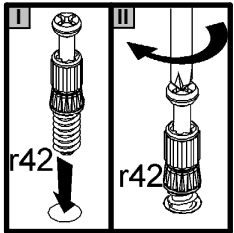
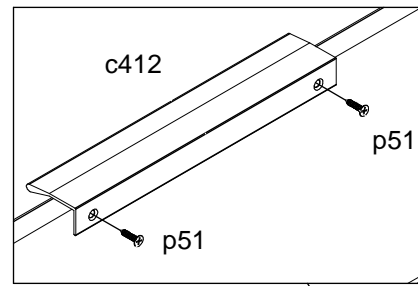
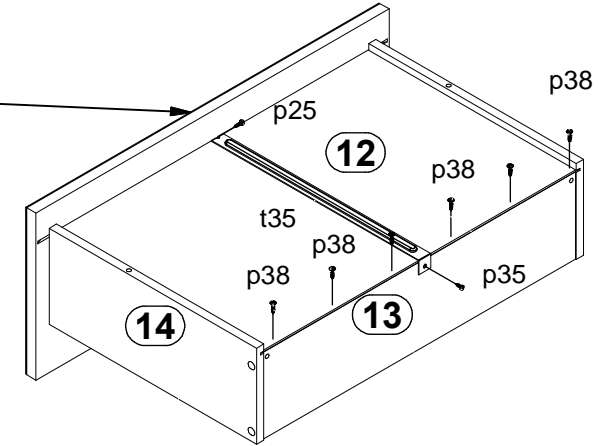
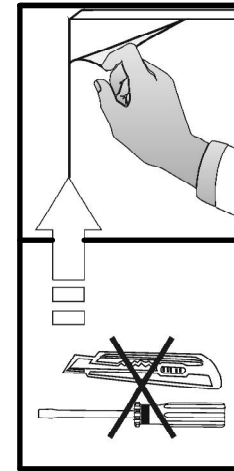
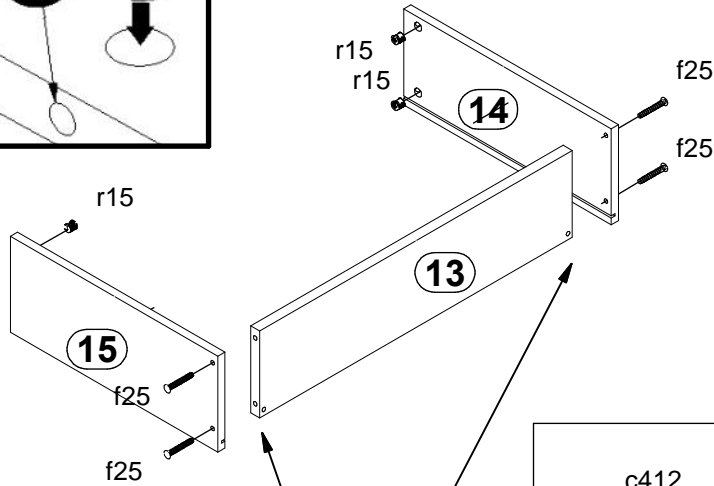
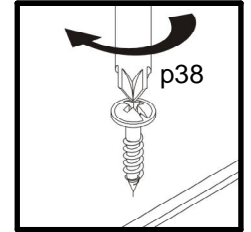
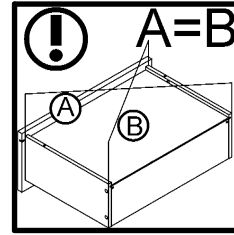
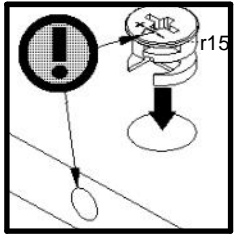
3



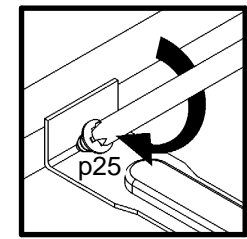
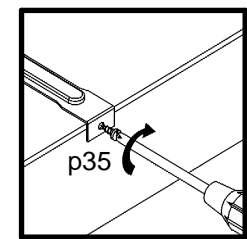
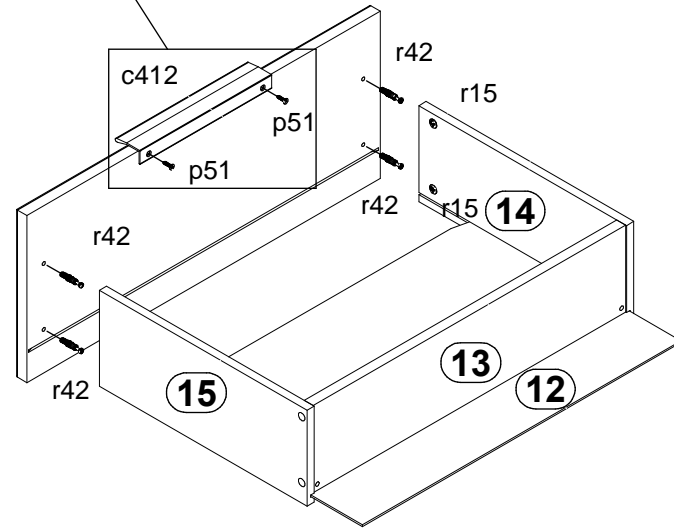
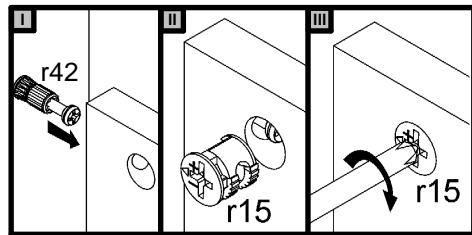
4



5

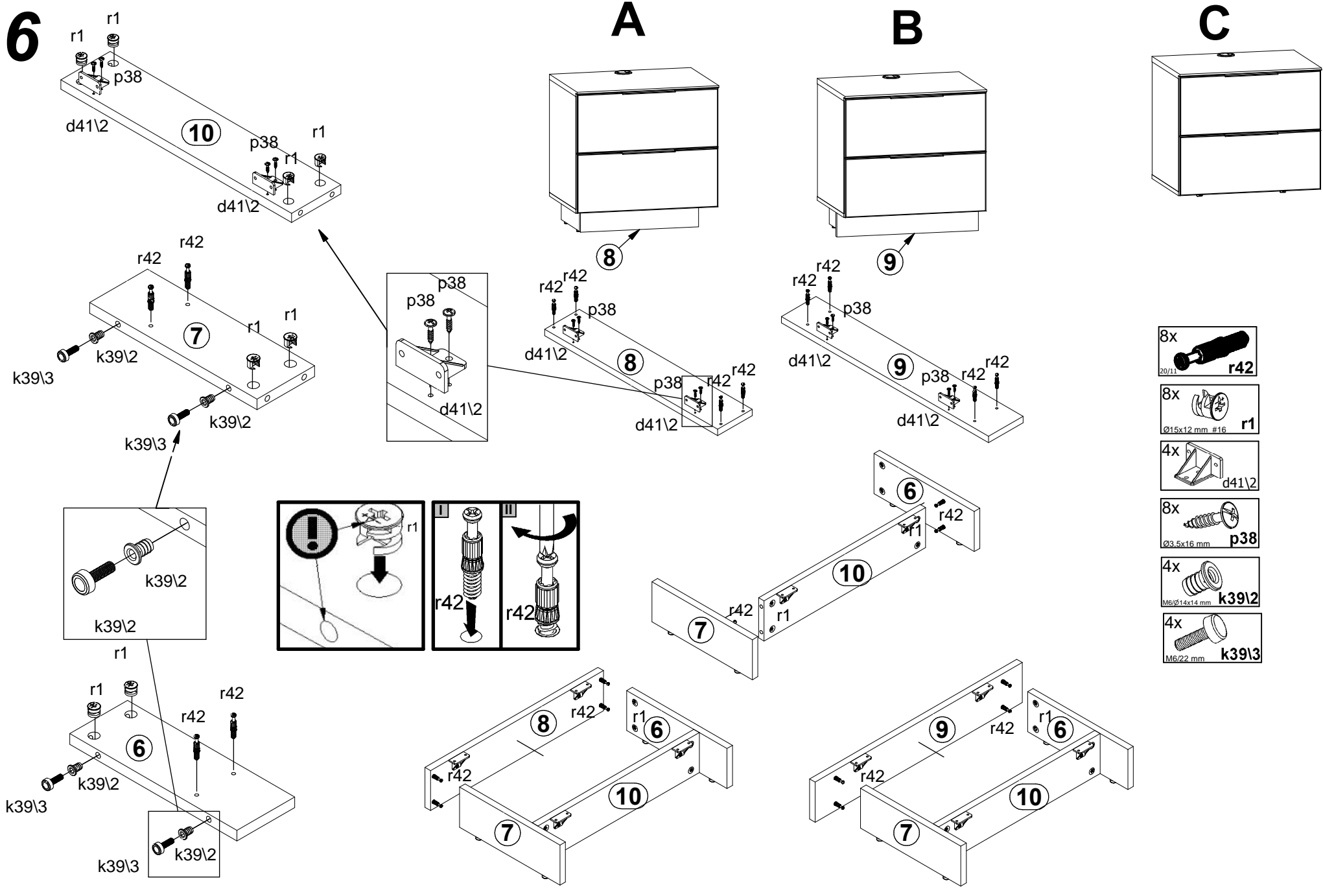


- 1x Ø3.5x16 mm p25
- 1x Ø3.5x10 mm p35
- 1x 350 mm t35

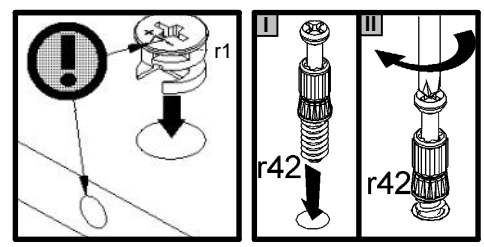


- 6x Ø3.5x16 mm p38
- 4x Ø6.5x40 mm f25
- 2x Ø3.5x15 mm p51
- 1x 192mm c412
- 4x 20/11 r42
- 4x Ø12x10.5 mm #12 r15

6



- 8x r42
- 8x r1
- 4x d41/2
- 8x p38
- 4x k39/2
- 4x k39/3



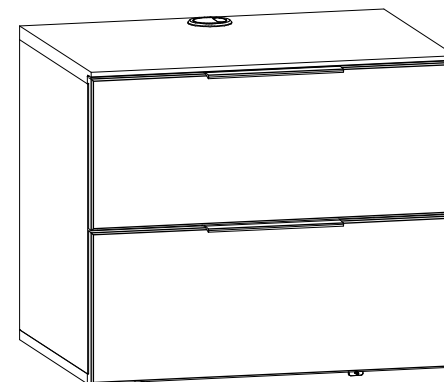
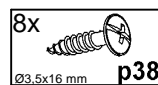
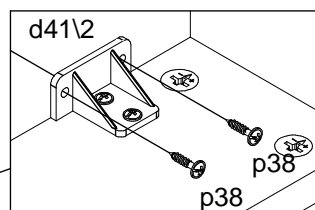
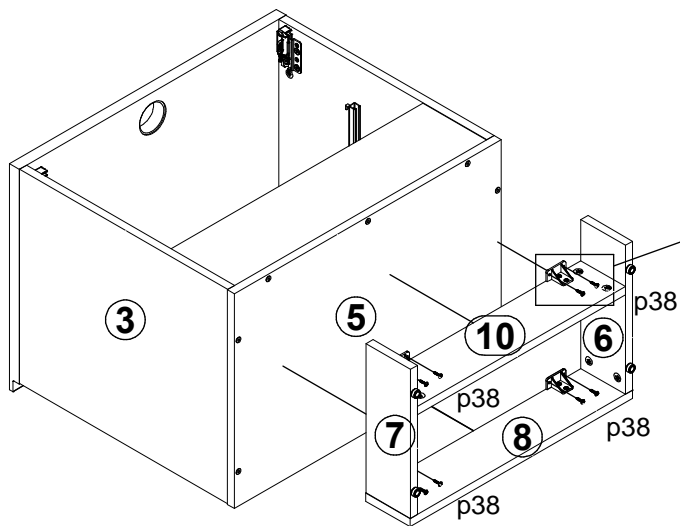
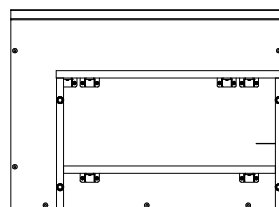
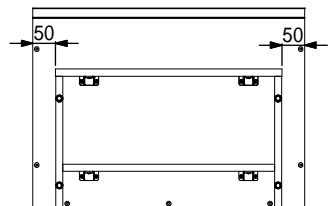
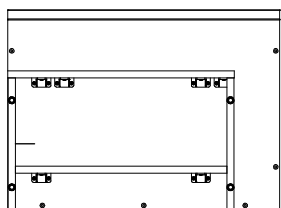
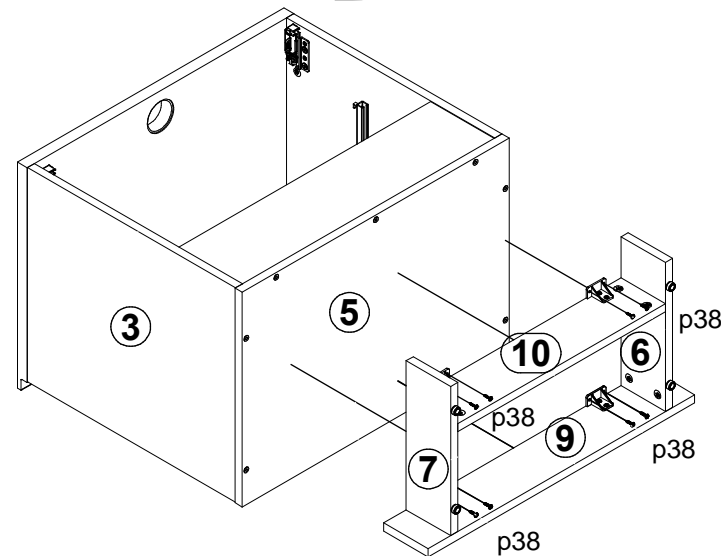
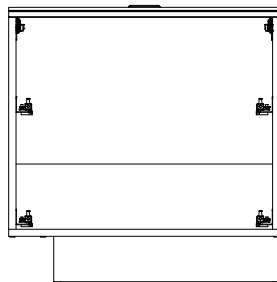
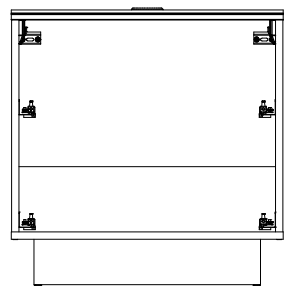
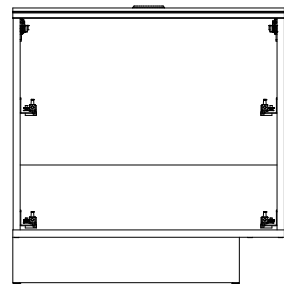
7 AL



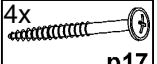

A

AP

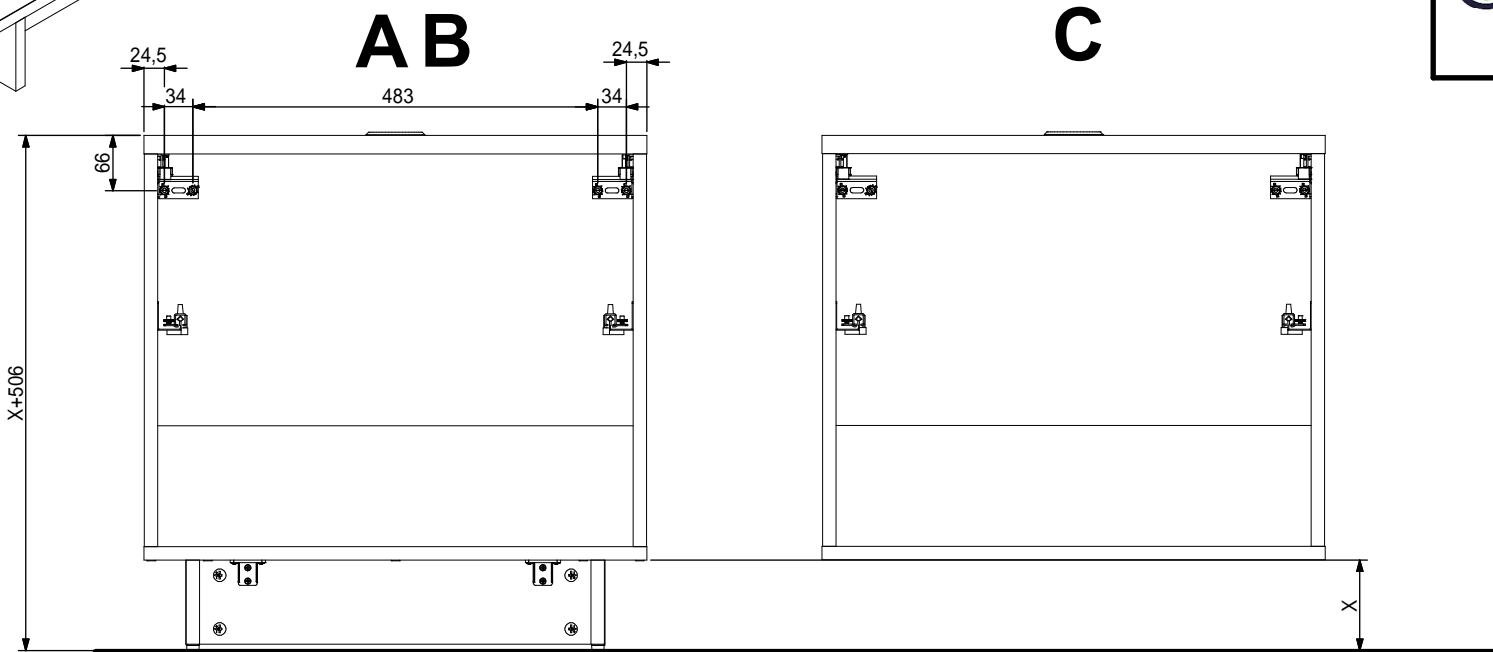
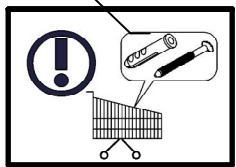
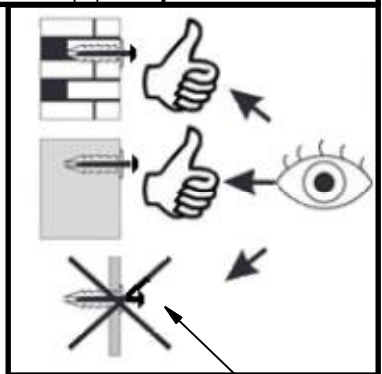
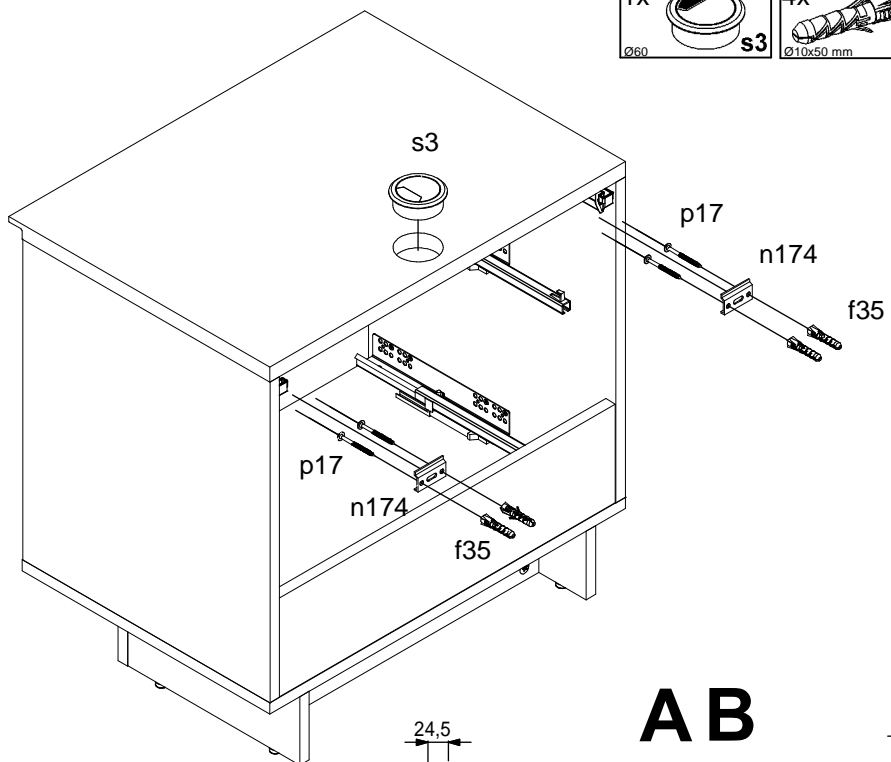
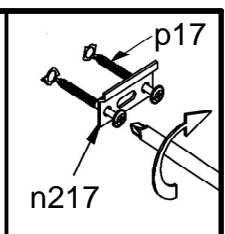
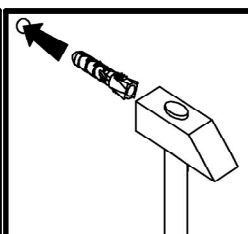
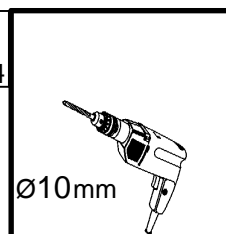
B

C



- 1x  s3 $\varnothing 60$
- 4x  f35 $\varnothing 10 \times 50 \text{ mm}$
- 4x  p17 $\varnothing 5 \times 60 \text{ mm}$
- 2x  n174 $47 \times 28 \times 6 \text{ mm}$

8



6

