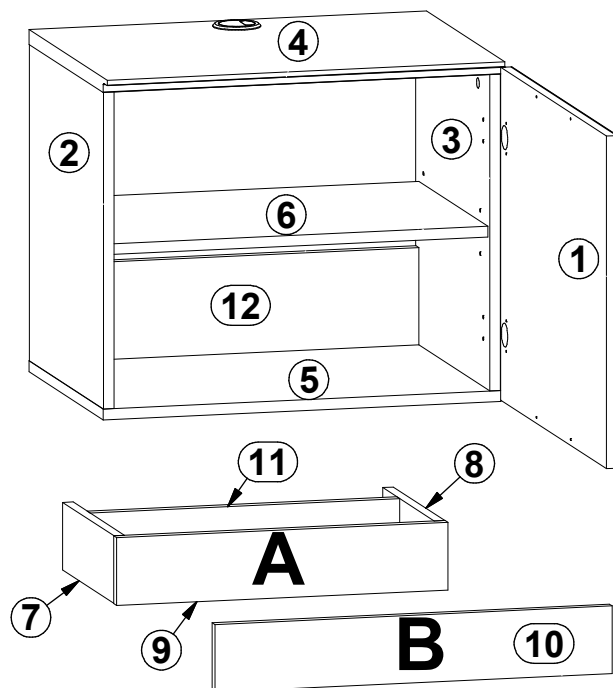
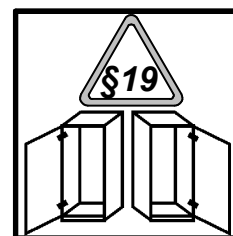
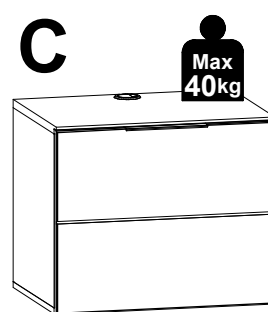
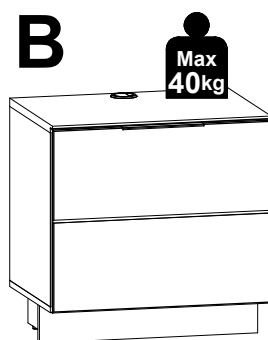
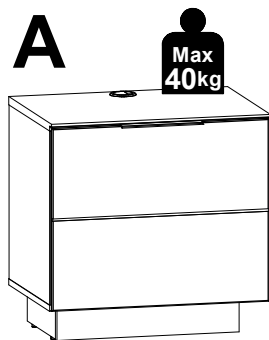
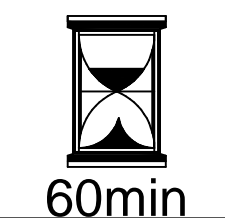
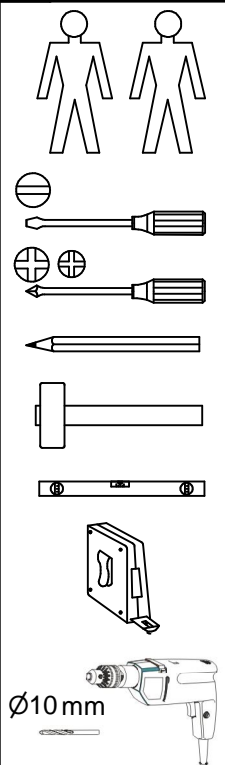
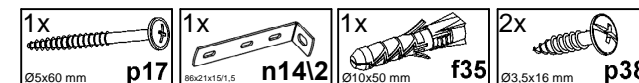
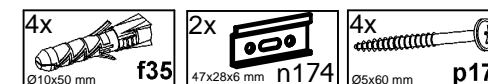
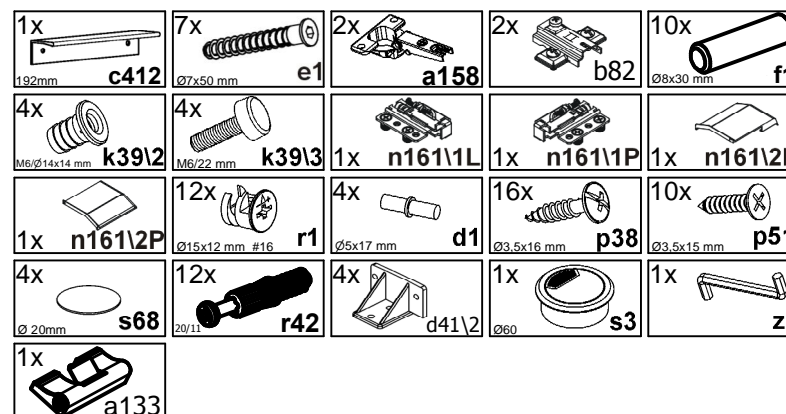


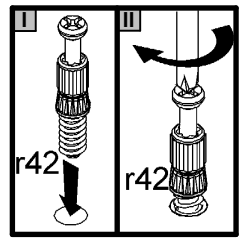
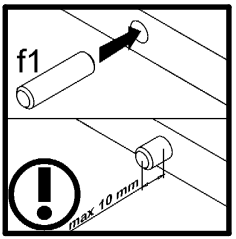
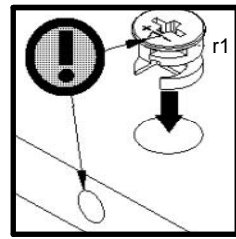
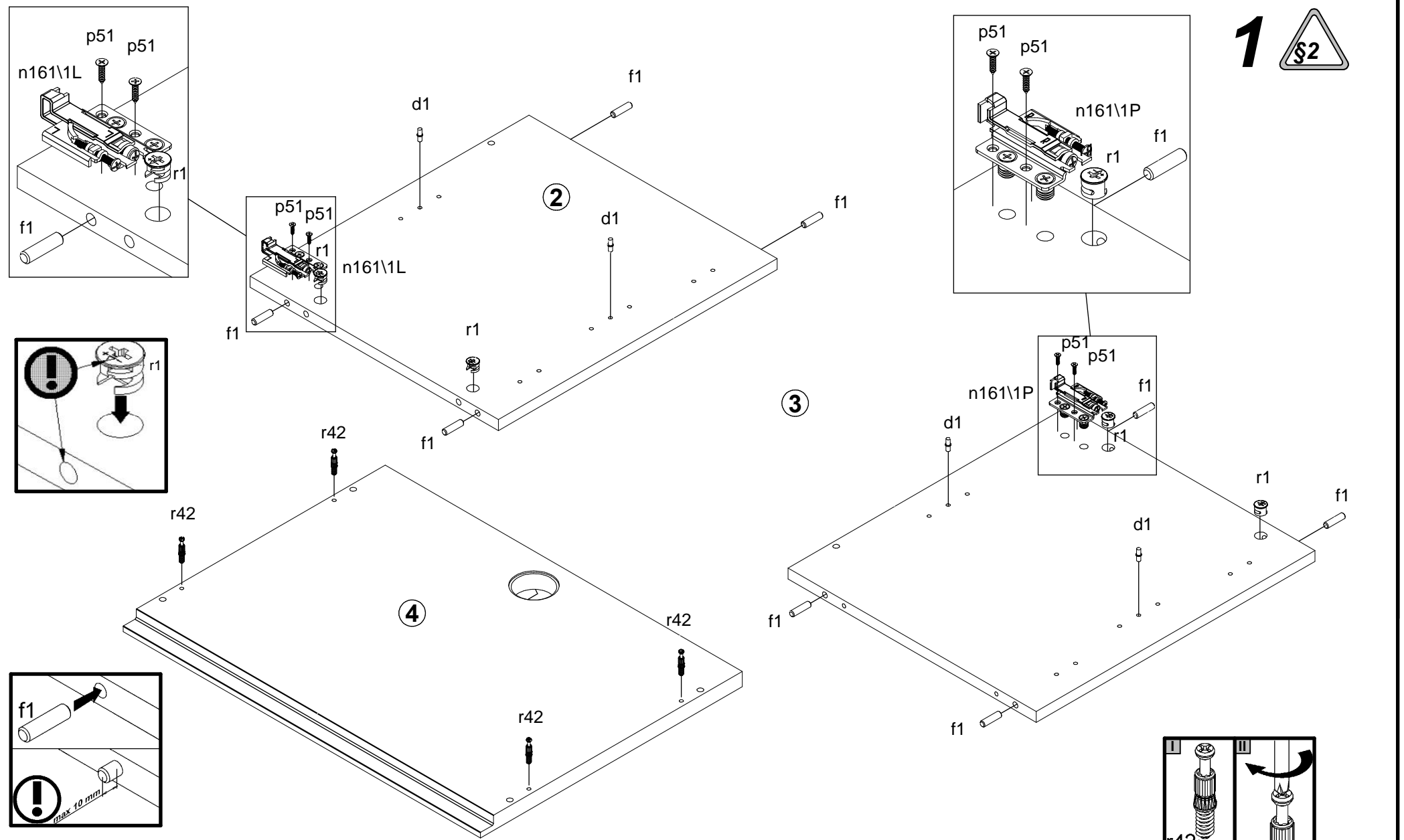
A**S507-RTV1D/6/6****10H9--31**

2 / 9



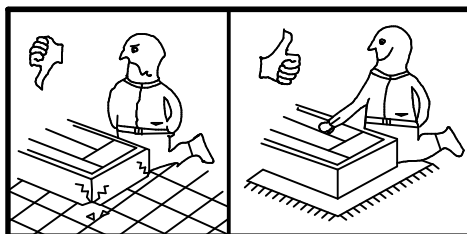
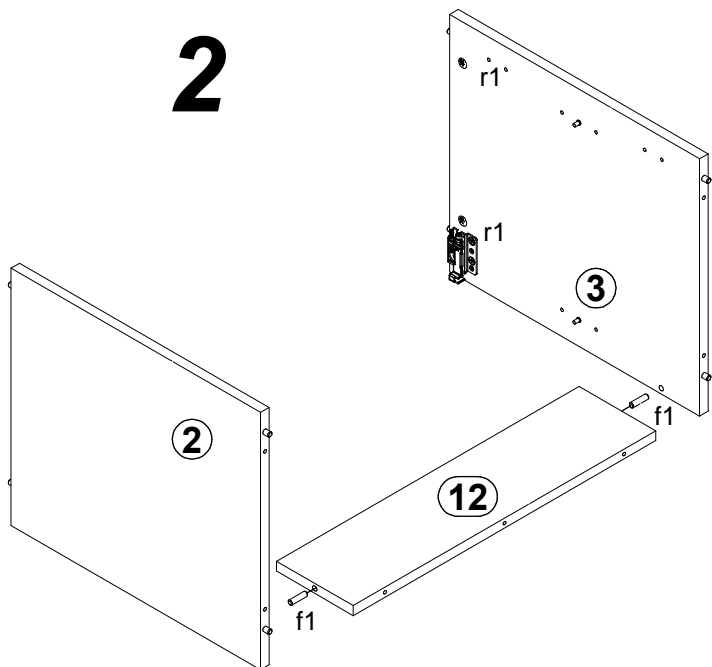
A	B	C1	C2	C3	D
1	S507-0004	596	492	19	1/1
2	S507-1012A	468	417	16	1/1
3	S507-1013A	468	417	16	1/1
4	S507-2006	600	440	22	1/1
5	S507-2007	600	418	16	1/1
6	S507-3013	566	390	16	1/1
7	S507-4002	290	100	16	1/1
8	S507-4005	290	100	16	1/1
9	S507-4006	500	100	16	1/1
10	S507-4009	599	100	16	1/1
11	S507-4010	467	100	16	1/1
12	S507-4503	567	144	16	1/1



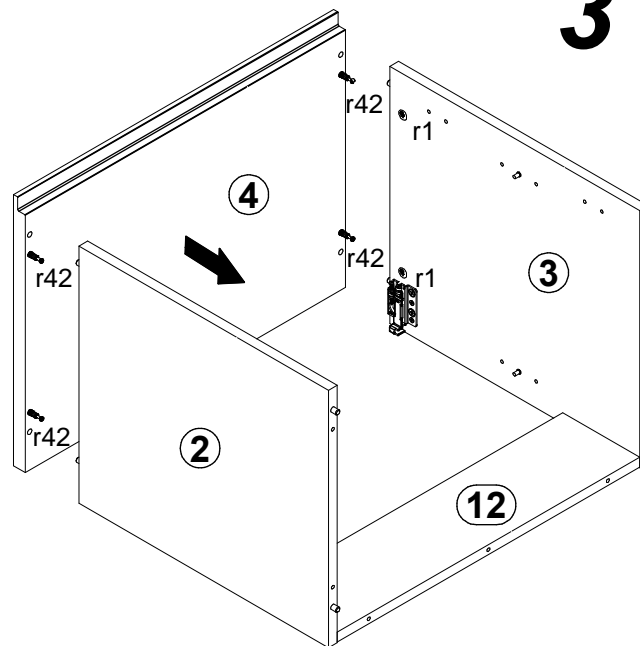


- 4x d1
Ø5x17 mm
- 4x r1
Ø15x12 mm #16
- 4x r42
20/11
- 8x f1
Ø8x30 mm
- 1x n161\1L
- 1x n161\1P
- 4x p51
Ø3,5x15 mm

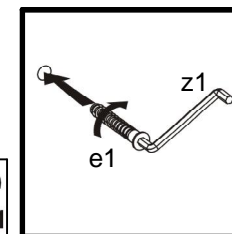
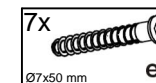
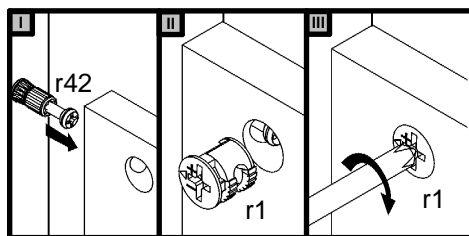
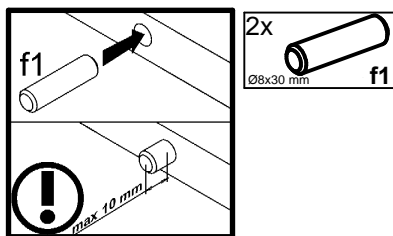
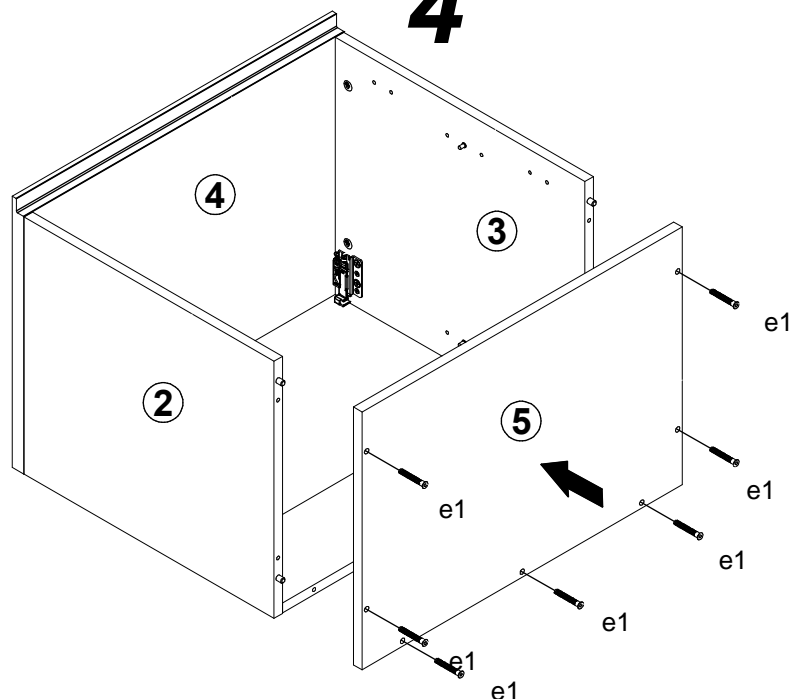
2



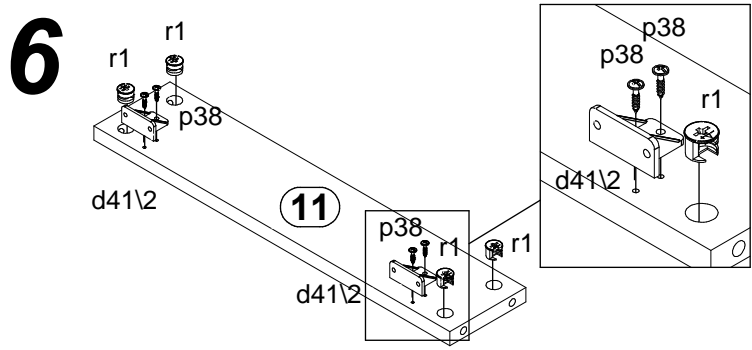
3



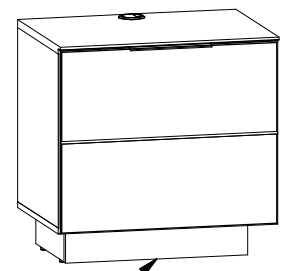
4



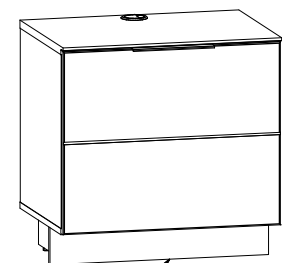
6



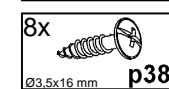
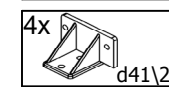
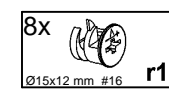
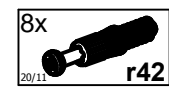
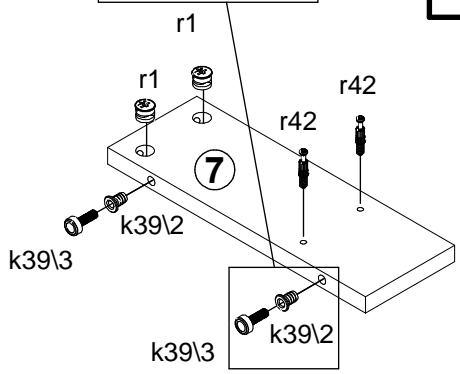
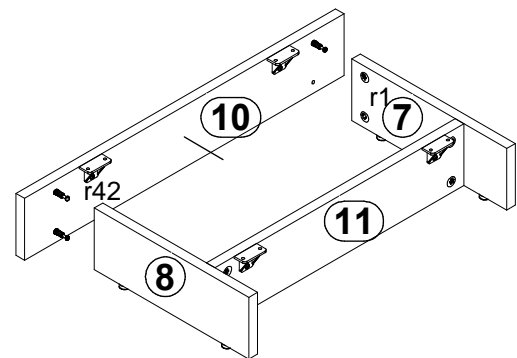
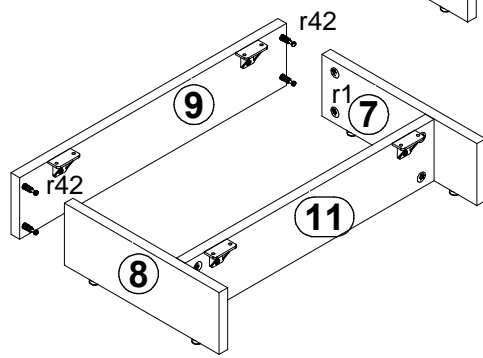
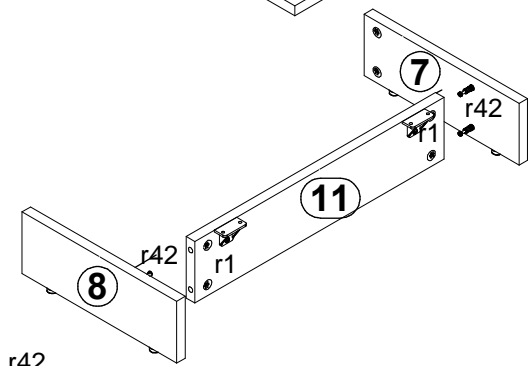
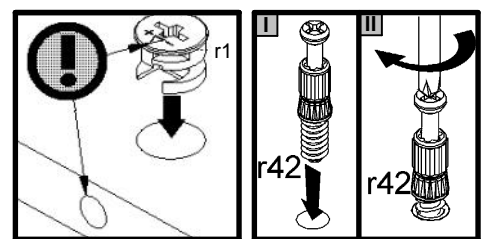
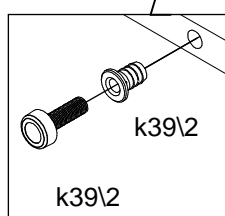
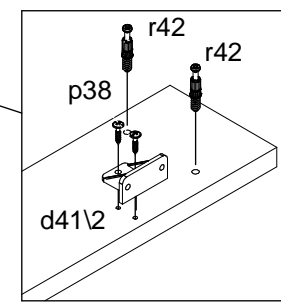
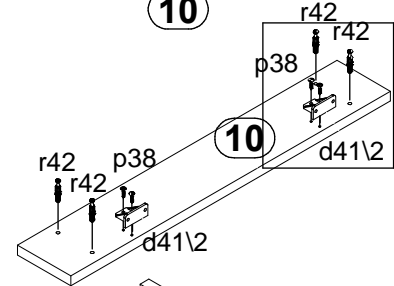
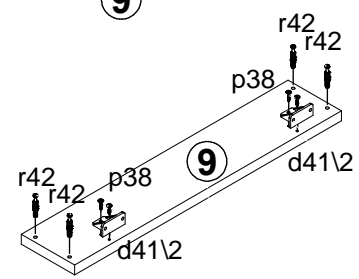
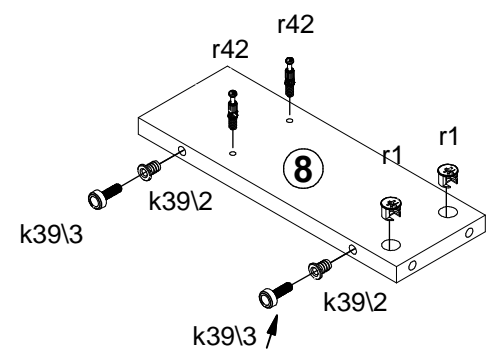
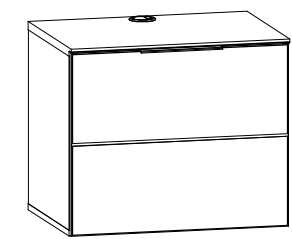
A



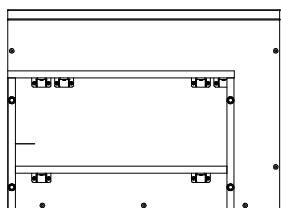
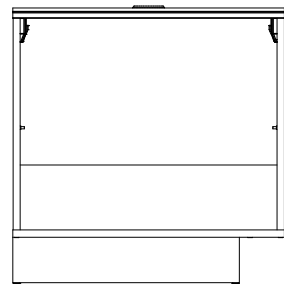
B



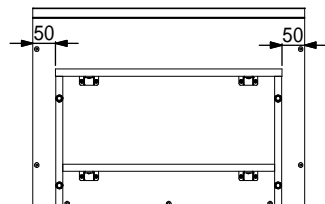
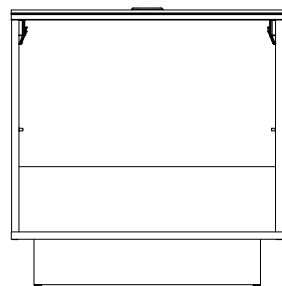
C



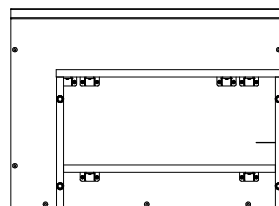
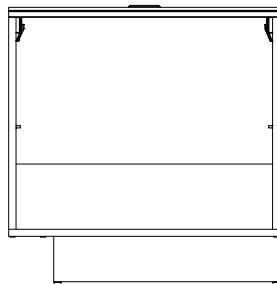
7 AL



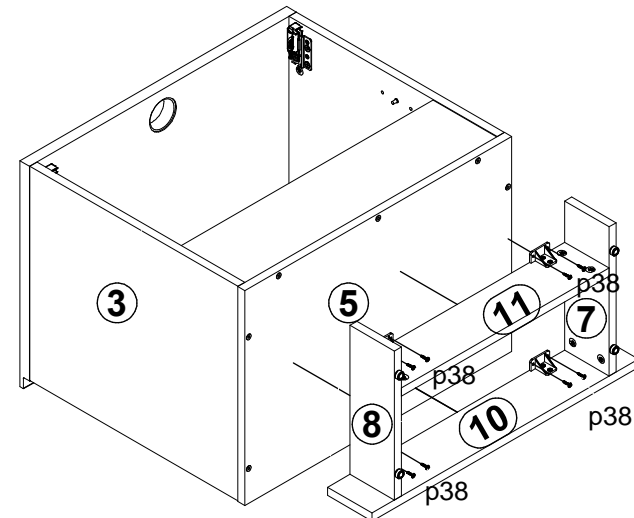
A



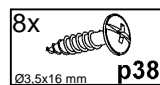
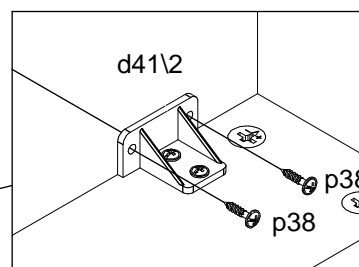
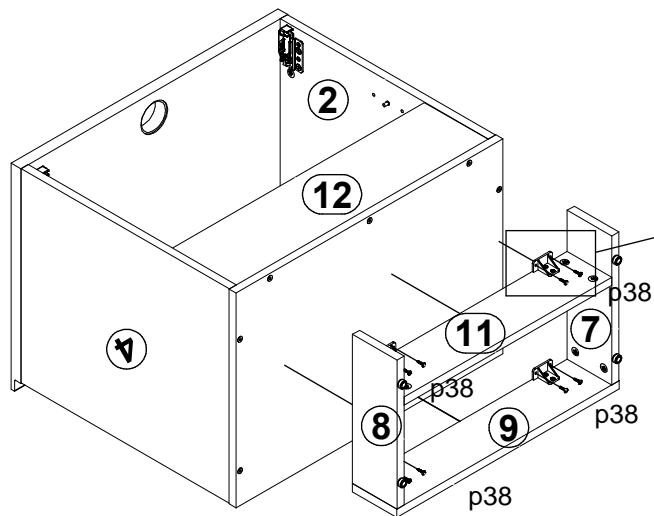
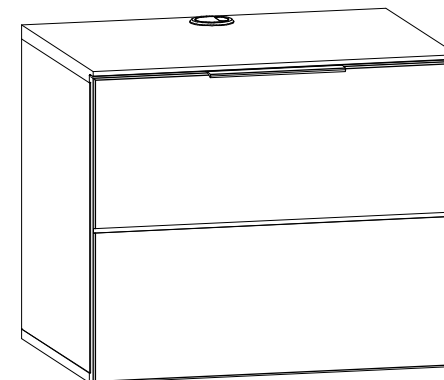
AP



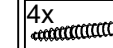
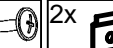


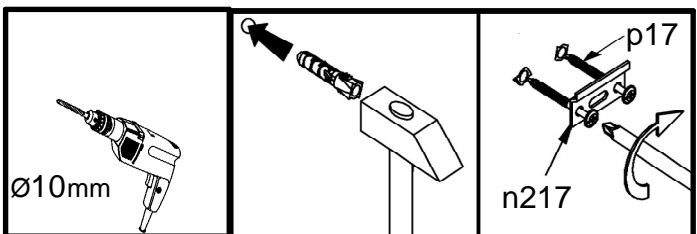
B



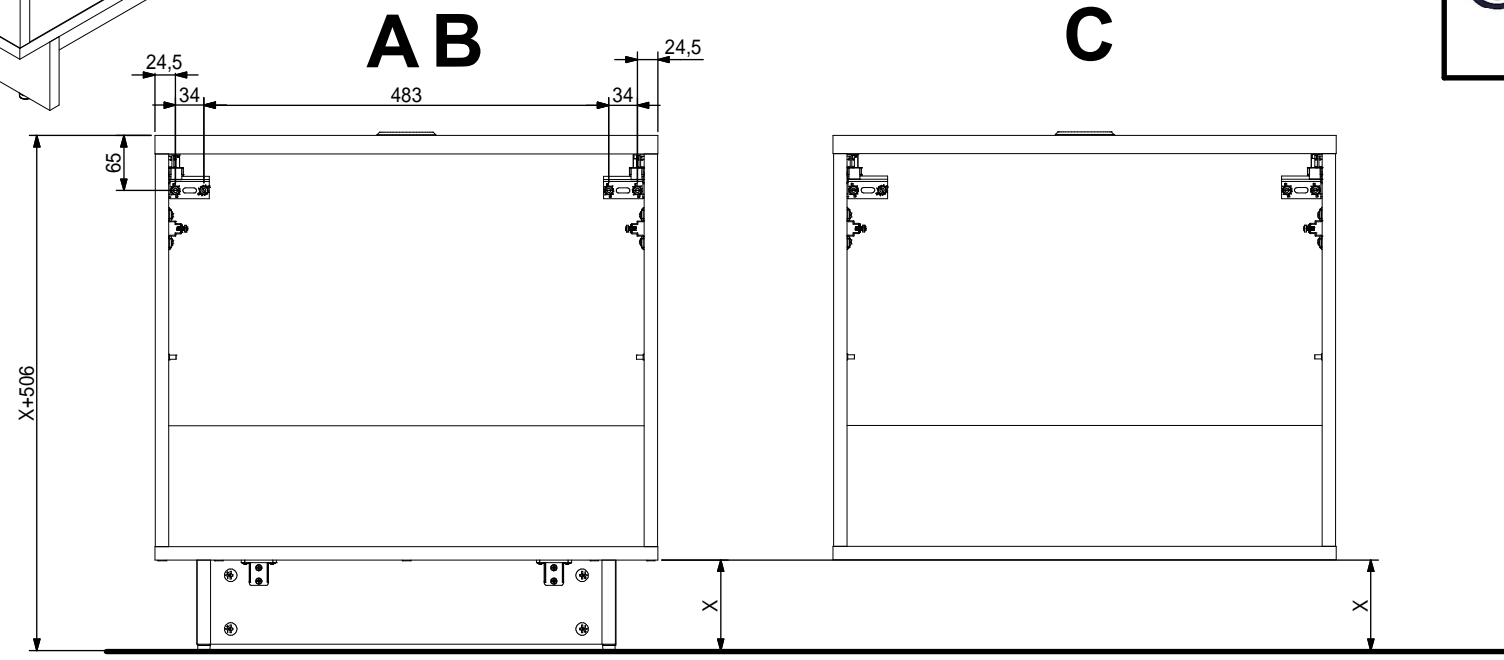
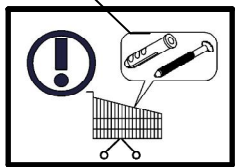
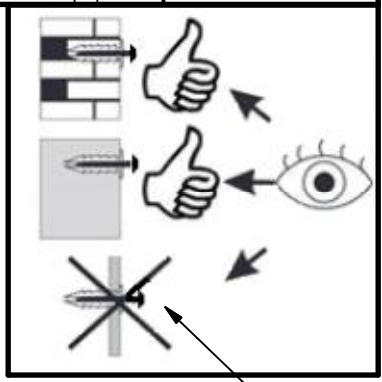
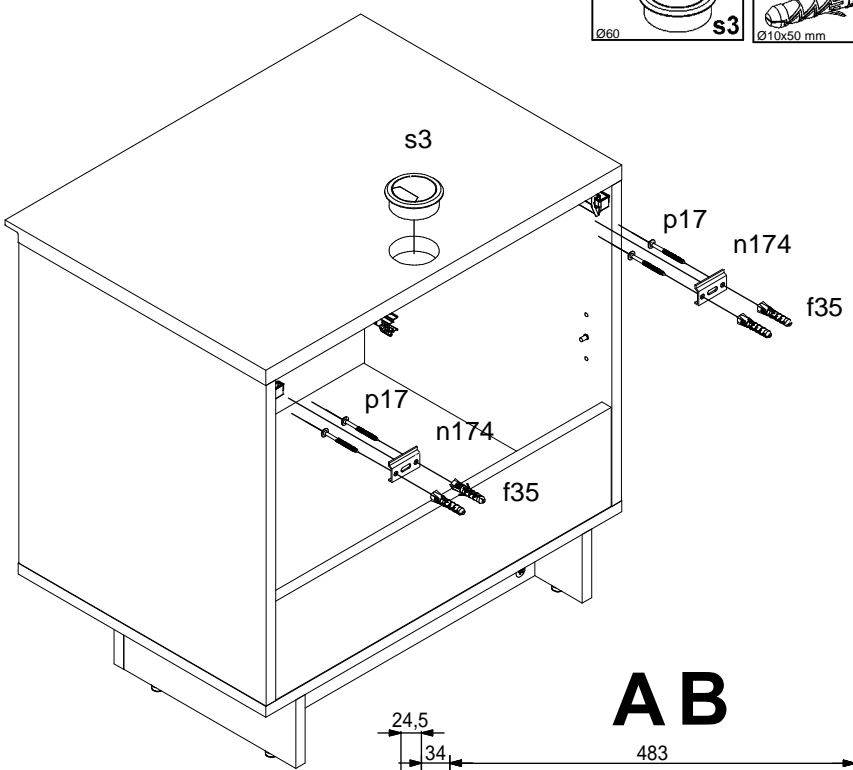
C



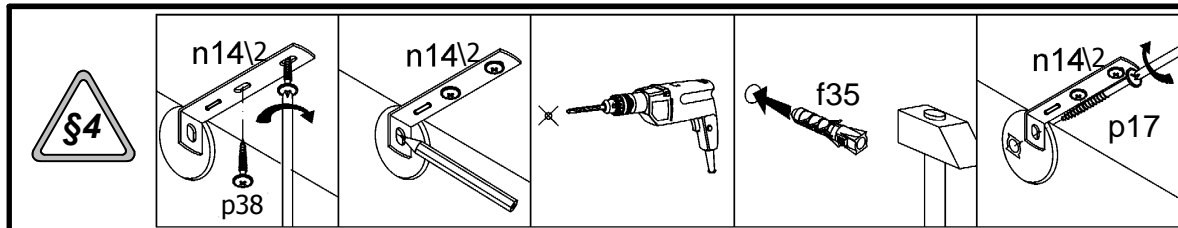
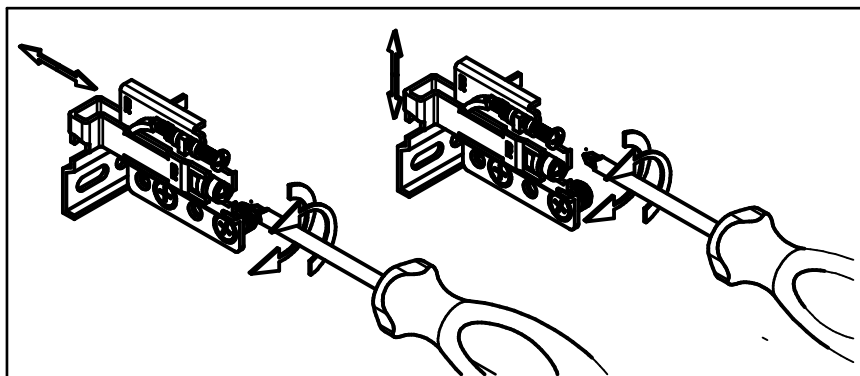
- 1x  s3
- 4x  f35
- 4x  p17
- 2x  n174



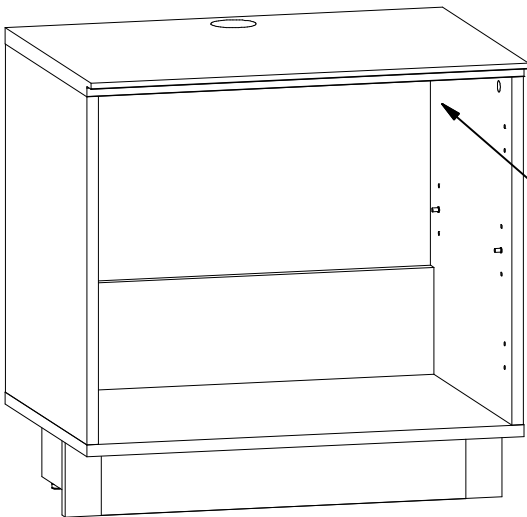
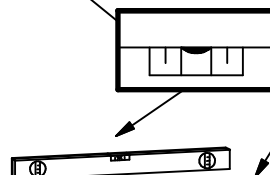
8



6

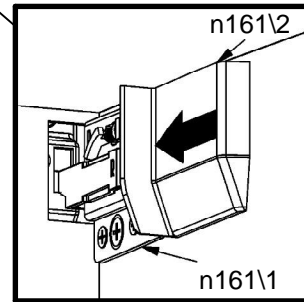
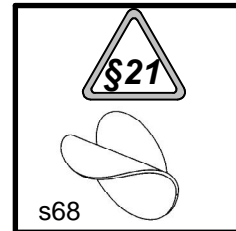



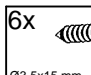
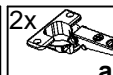
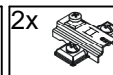
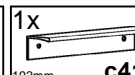
- 2x n142 (8x21x15/1.5)
- 2x p38 (Ø3,5x16 mm)
- 2x f35 (Ø10x50 mm)
- 2x p17 (Ø5x60 mm)



- 1x n161\2L
- 1x n161\2P

- 4x s68 (Ø 20mm)



- 1x  a133
- 6x  p51 $\varnothing 3,5 \times 15 \text{ mm}$
- 2x  a158
- 2x  b82
- 1x  c412 192 mm

