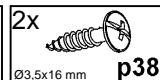
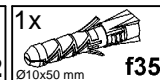
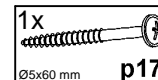
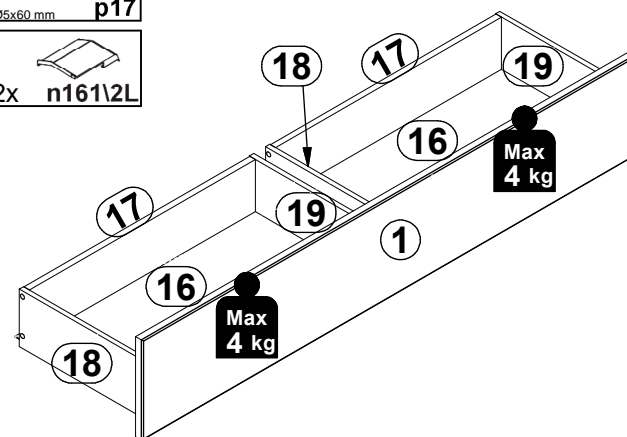
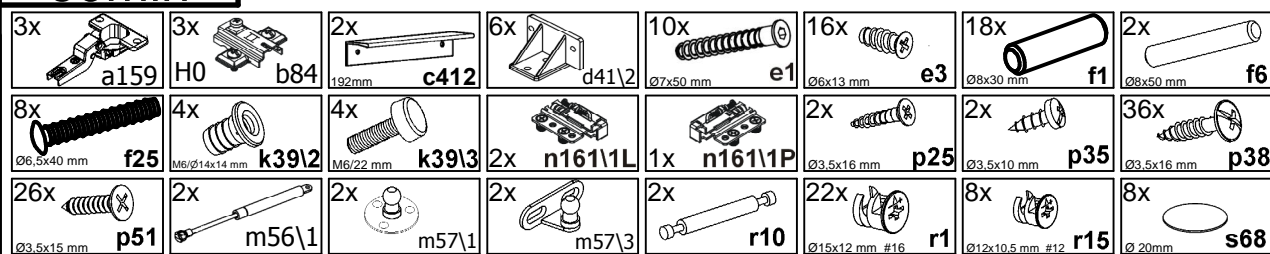
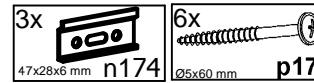
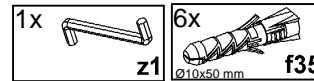
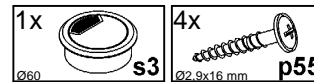
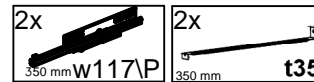
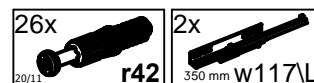
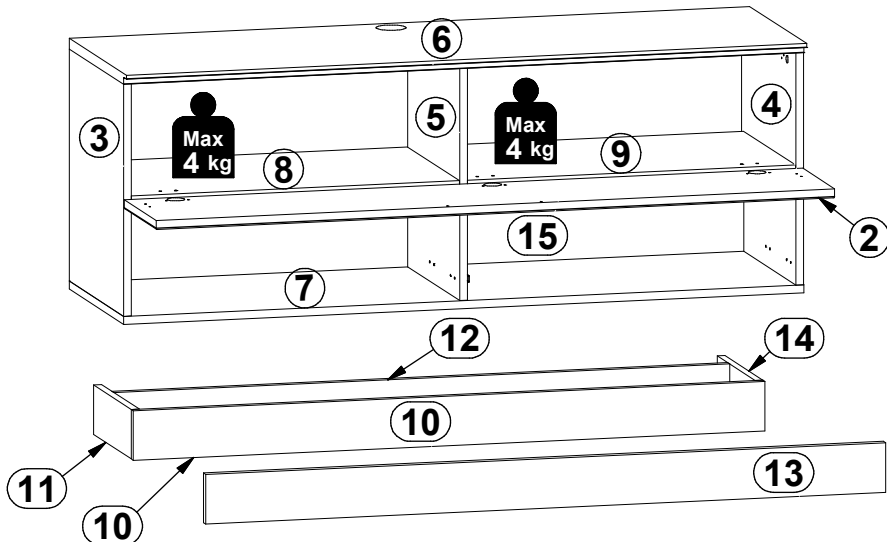
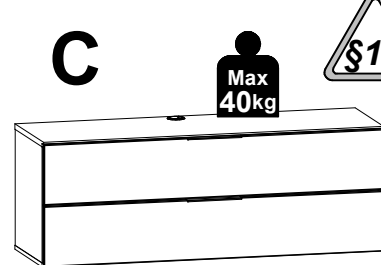
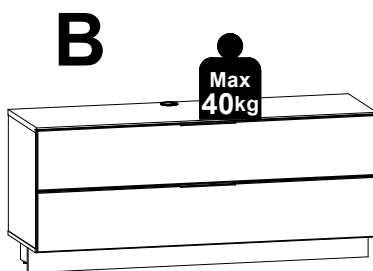
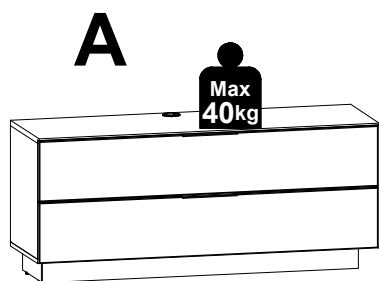


60min

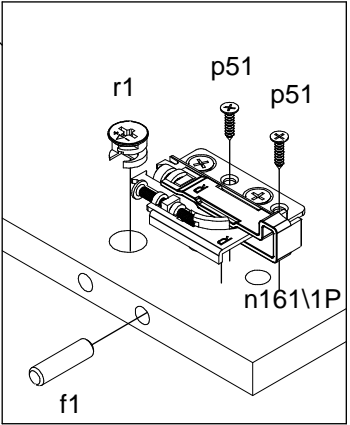
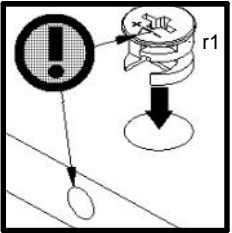
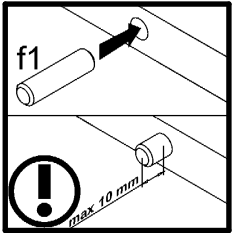
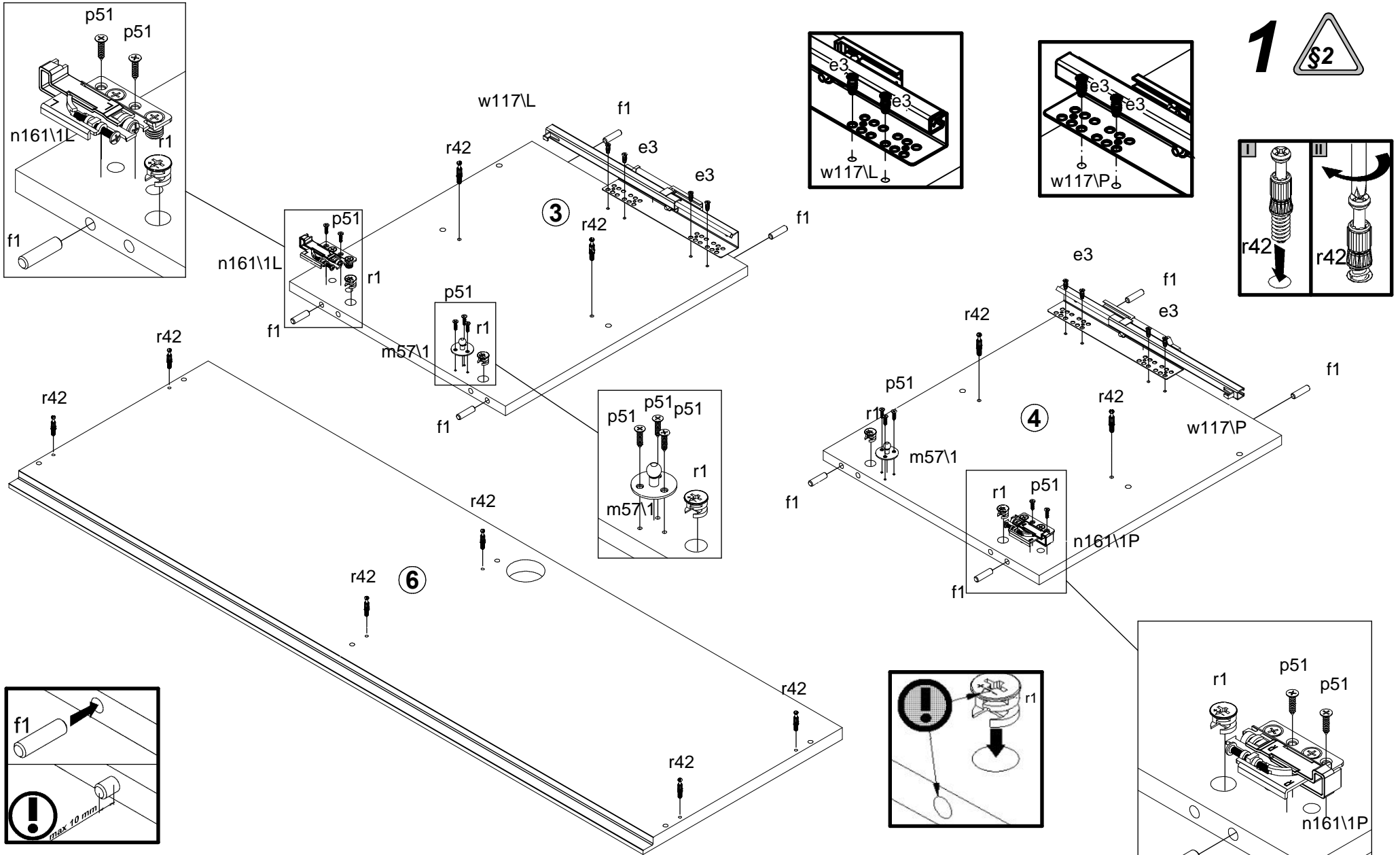


A	B	C1	C2	C3	D
1	S507-0002	1396	244	19	2/2
2	S507-0003	1396	244	19	2/2
3	S507-1009A	468	417	16	1/2
4	S507-1010A	468	417	16	1/2
5	S507-1011A	468	400	16	1/2
6	S507-2004	1400	440	22	2/2
7	S507-2005	1400	418	16	1/2
8	S507-3011	675	400	16	1/2
9	S507-3012	675	400	16	1/2
10	S507-4001	1300	100	16	2/2
11	S507-4002	290	100	16	1/2
12	S507-4003	1267	100	16	1/2
13	S507-4004	1399	100	16	2/2
14	S507-4005	290	100	16	1/2
15	S507-4502	1367	144	16	2/2
16	WSP-9280	646	358	2.5	1/2
17	ZQ6-5074	635	127	15	1/2
18	ZQ6-511	350	140	12	2/2
19	ZQ6-512	350	140	12	2/2

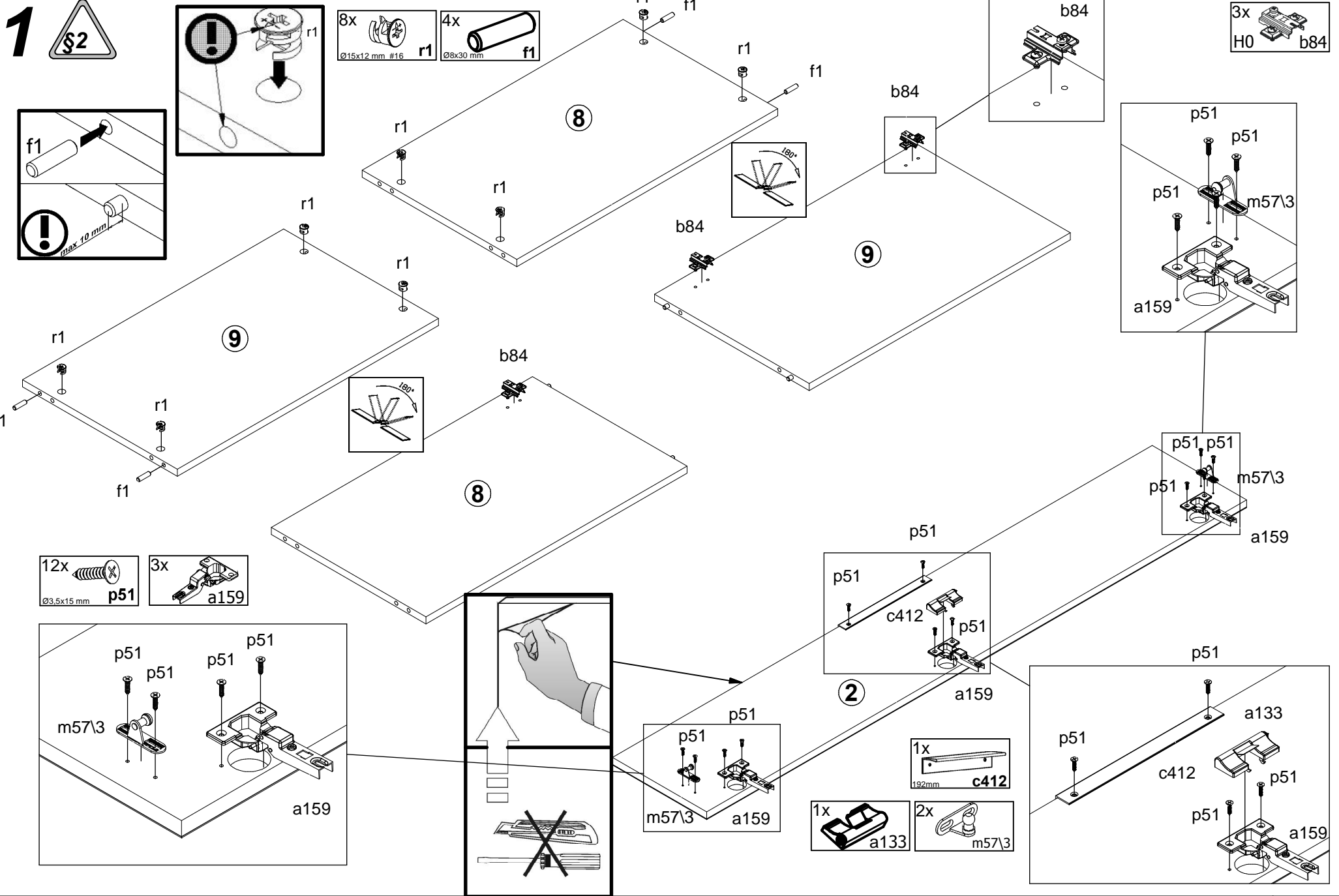
A

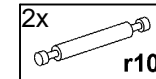
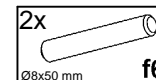
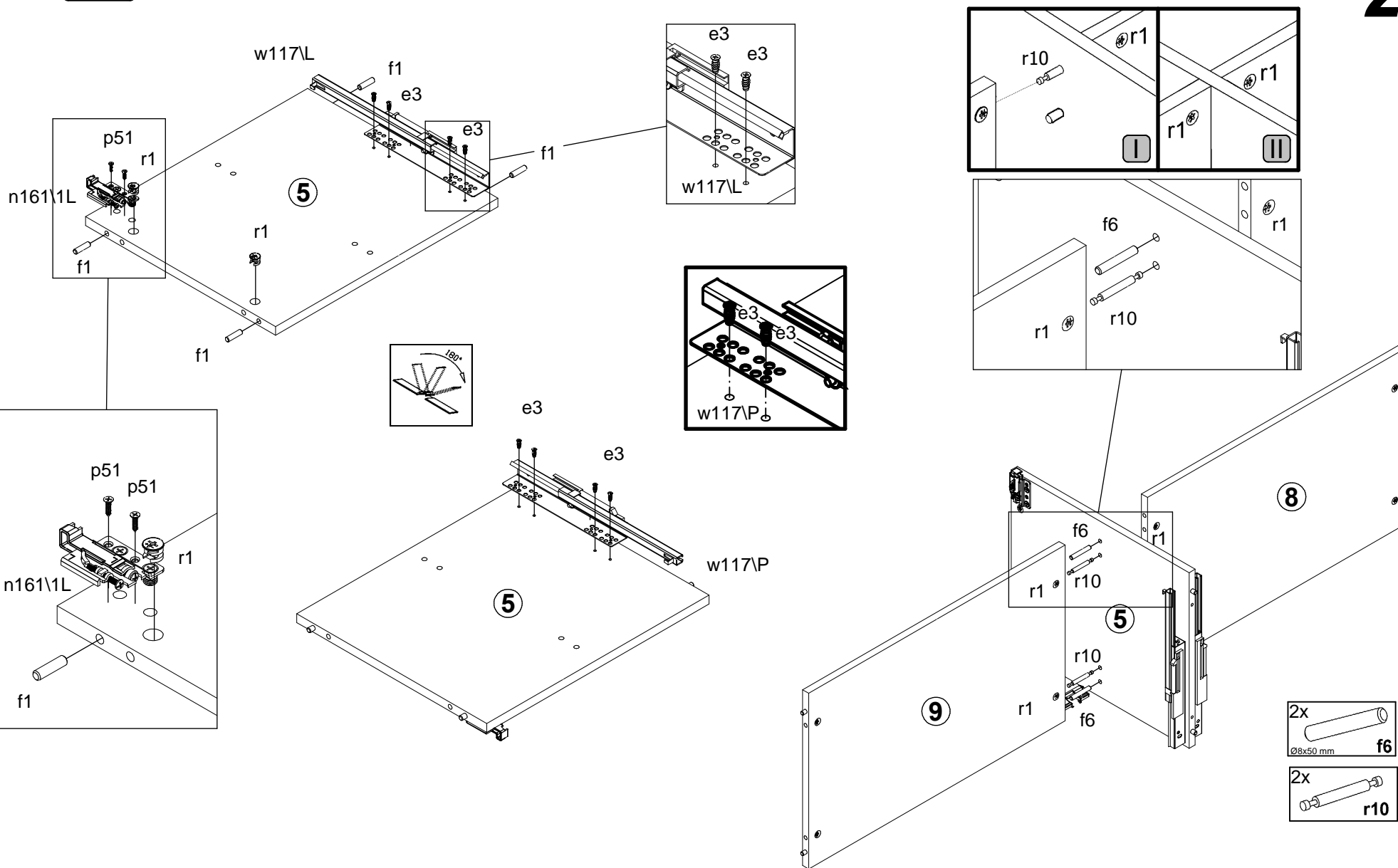
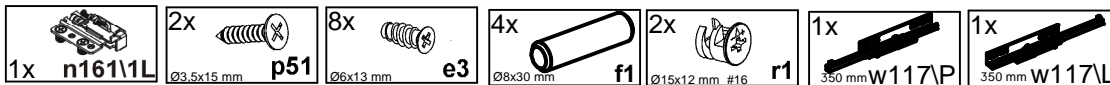
S507-RTV1K1S/6/14

10H9--30



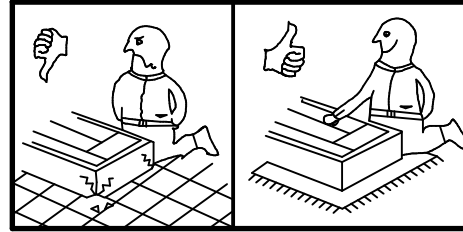
- 2x 350 mm W117/L
- 2x 350 mm W117/P
- 8x Ø6x13 mm e3
- 4x Ø15x12 mm #16 r1
- 6x 20/11 r42
- 8x Ø8x30 mm f1
- 2x n161/L
- 1x n161/P
- 10x Ø3,5x15 mm p51



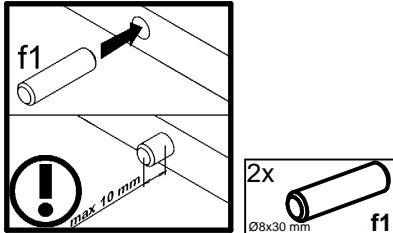
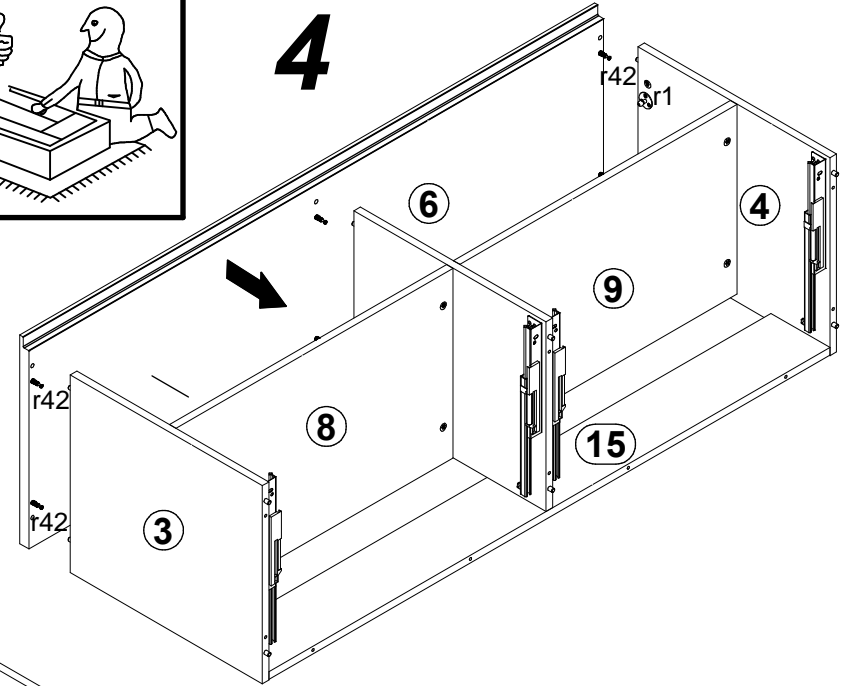
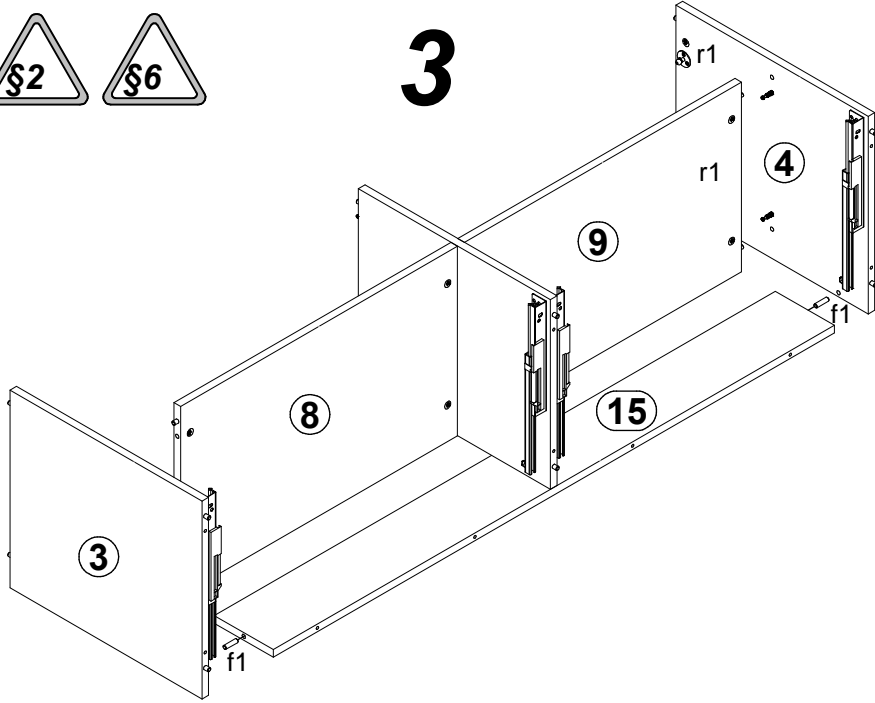




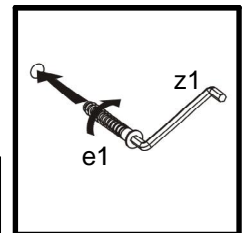
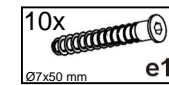
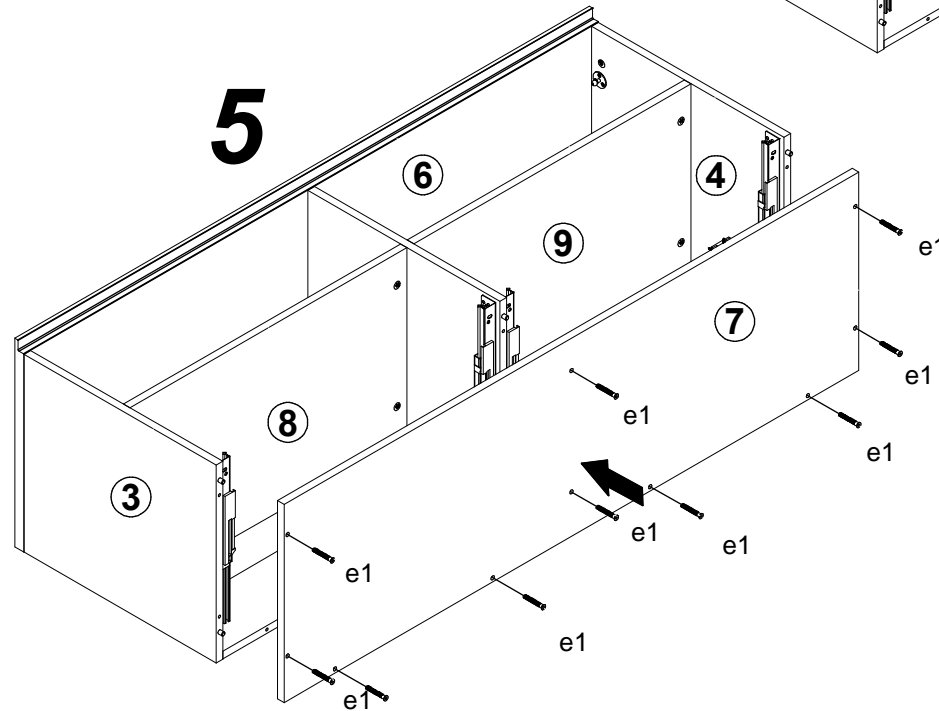
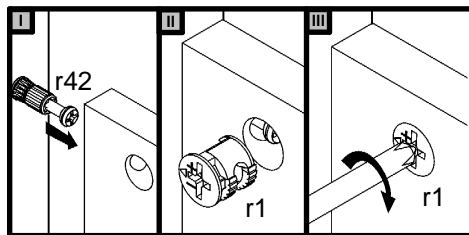
# 3

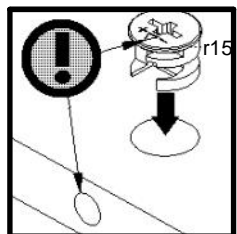
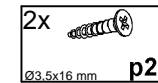
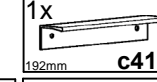
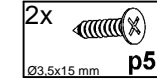
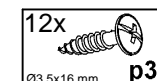
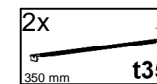
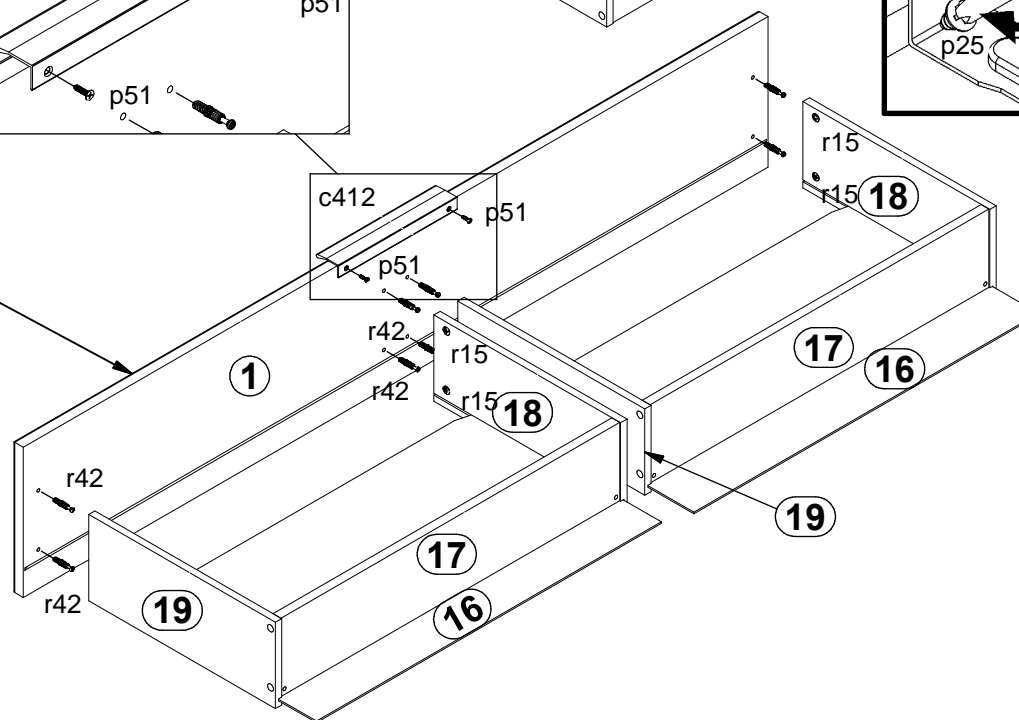
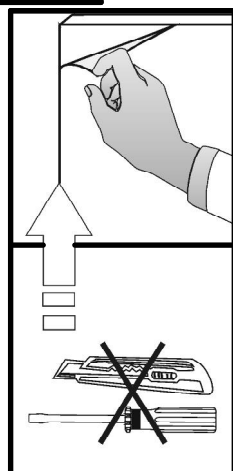
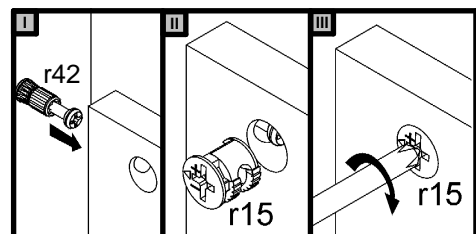
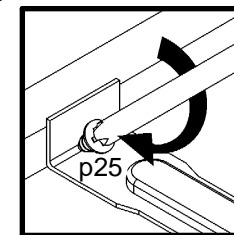
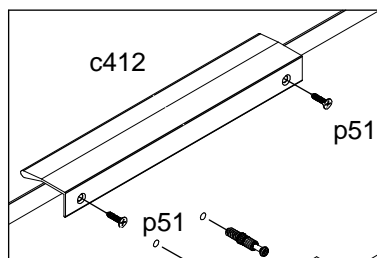
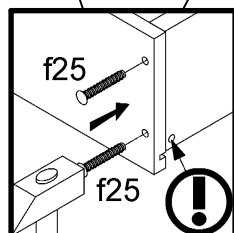
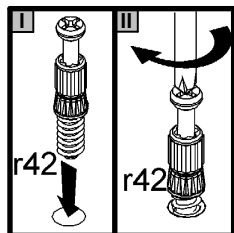
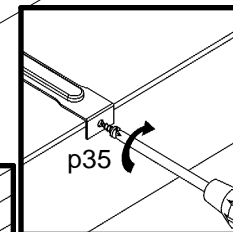
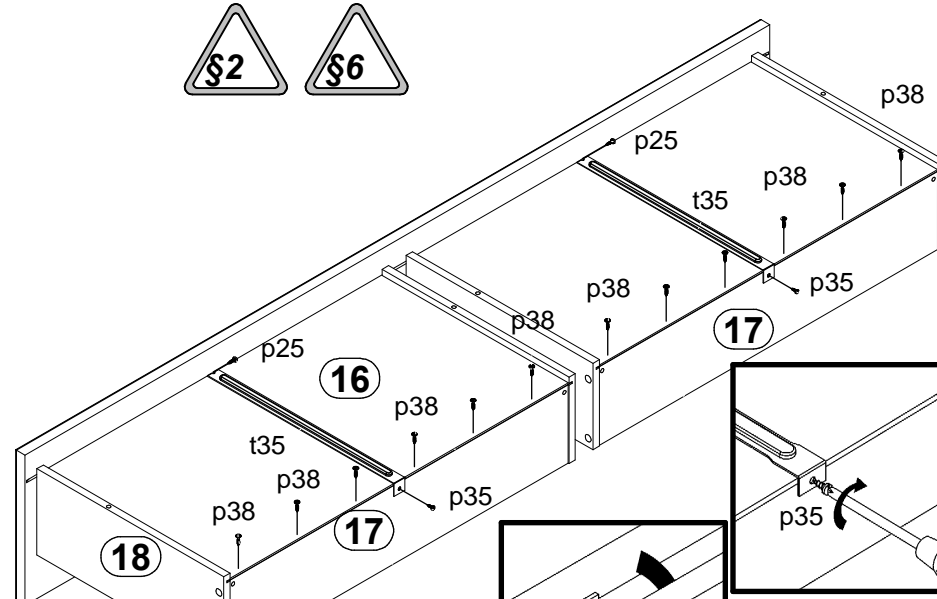
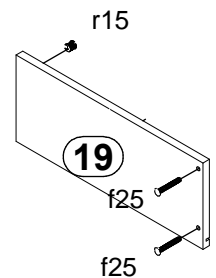
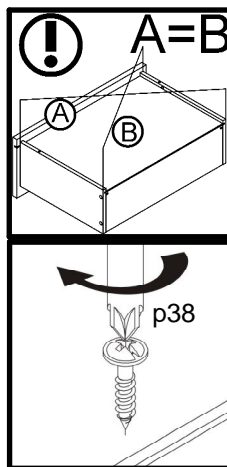
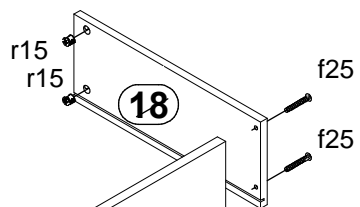


# 4

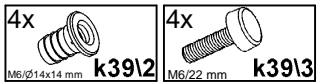


# 5



**5****2x**

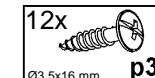
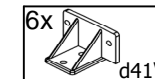
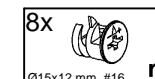
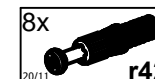
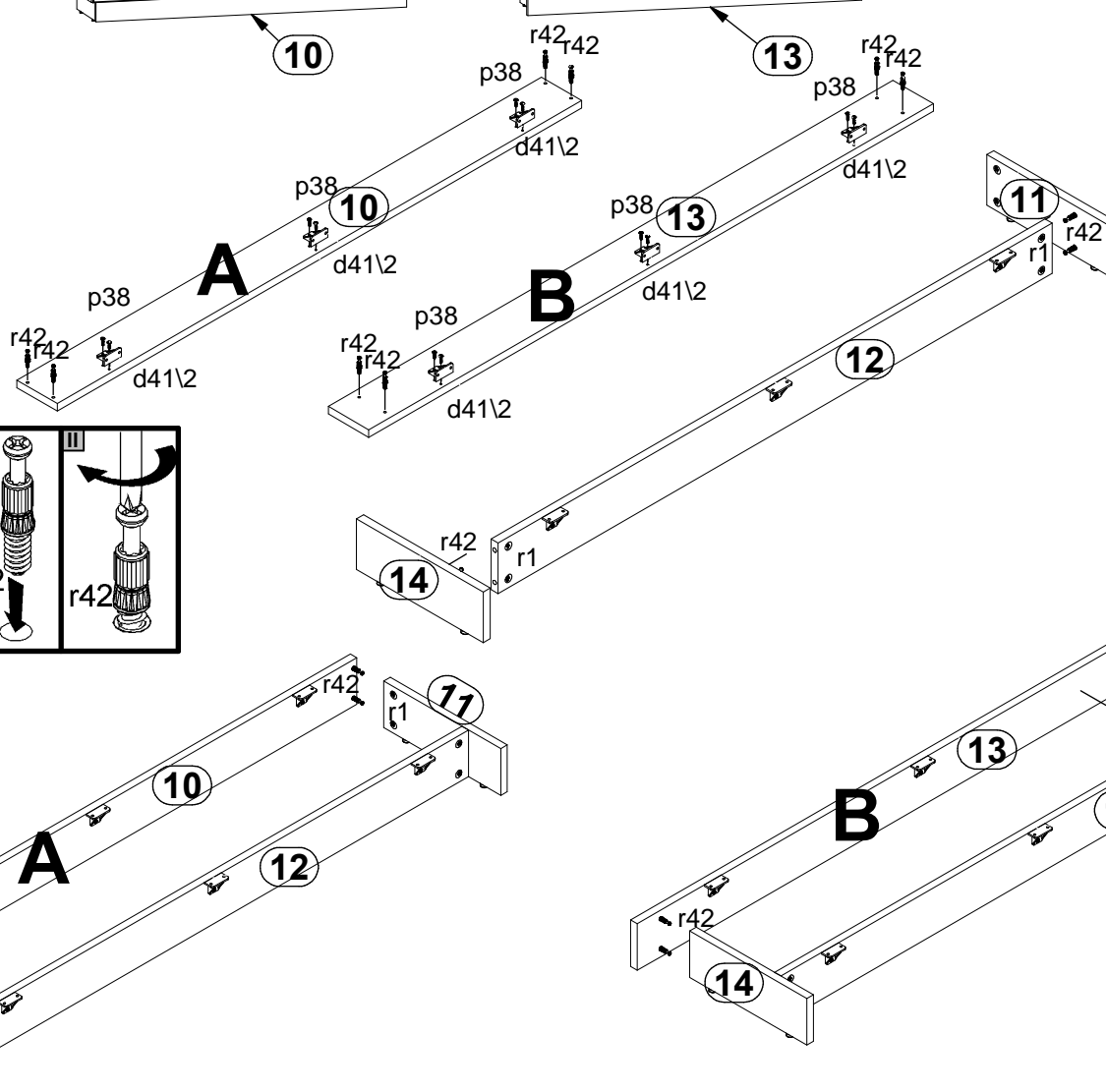
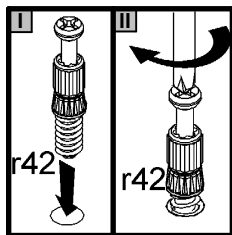
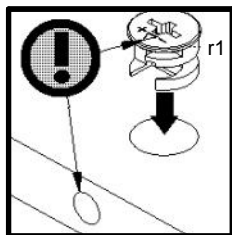
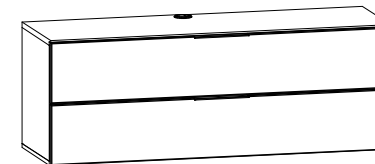
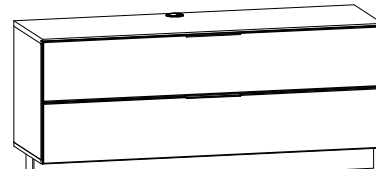
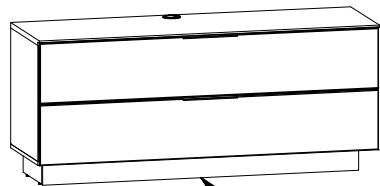
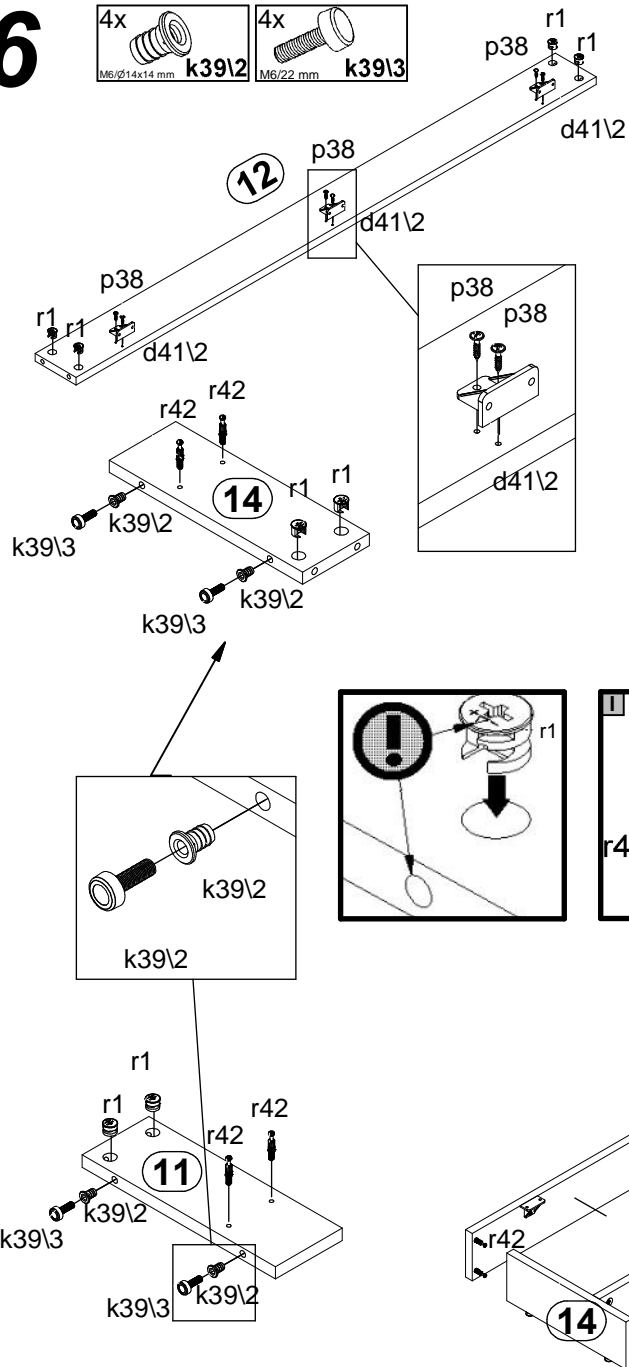
6



A

B

C



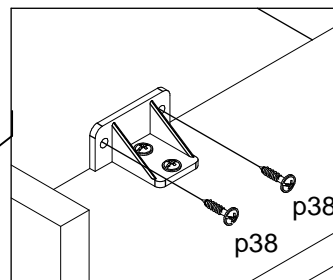
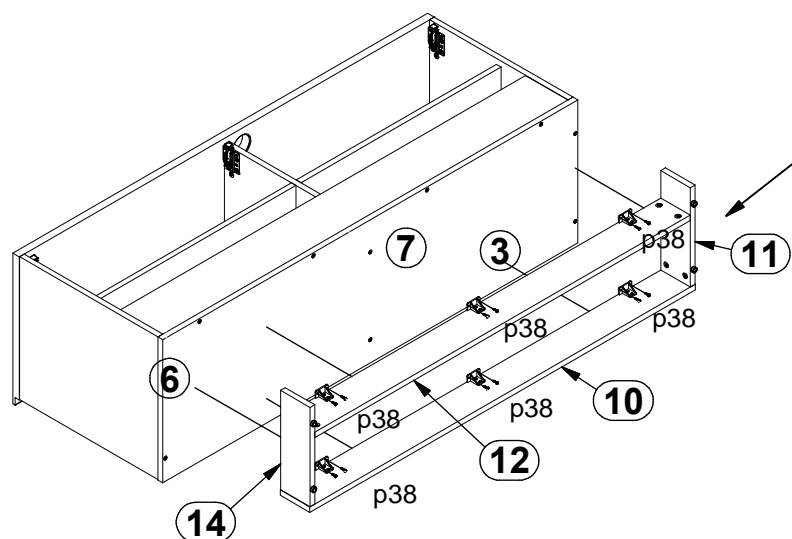
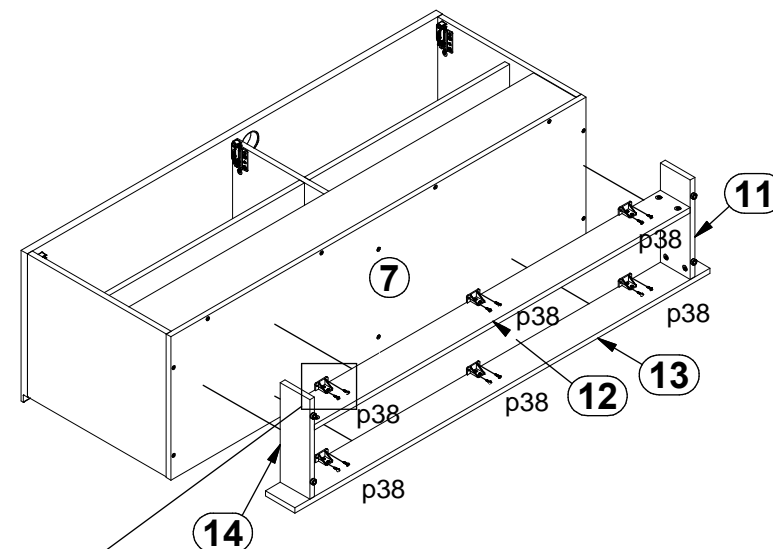
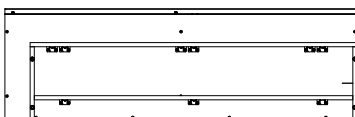
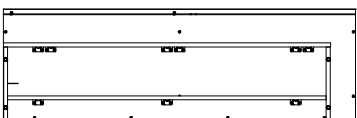
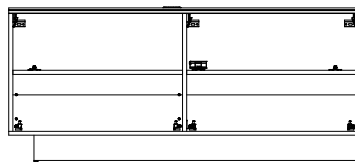
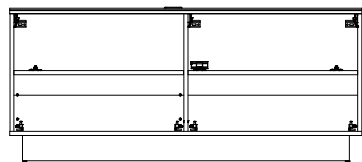
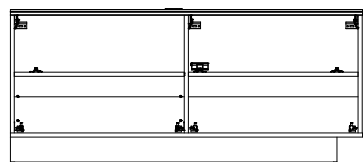


# 7 AL

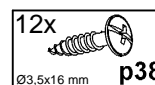
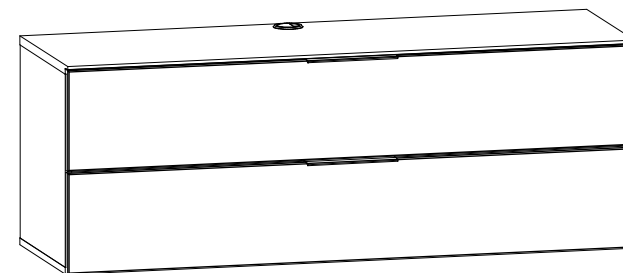
# A

# AP

# B

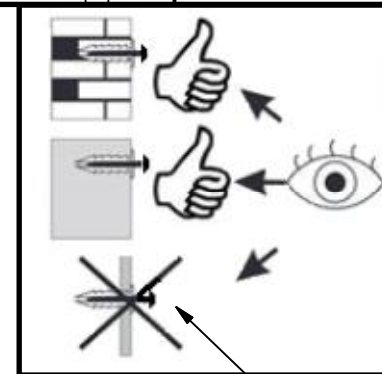
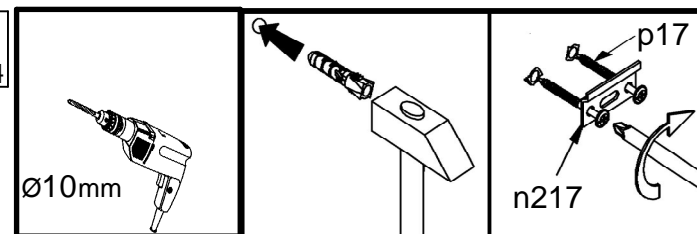
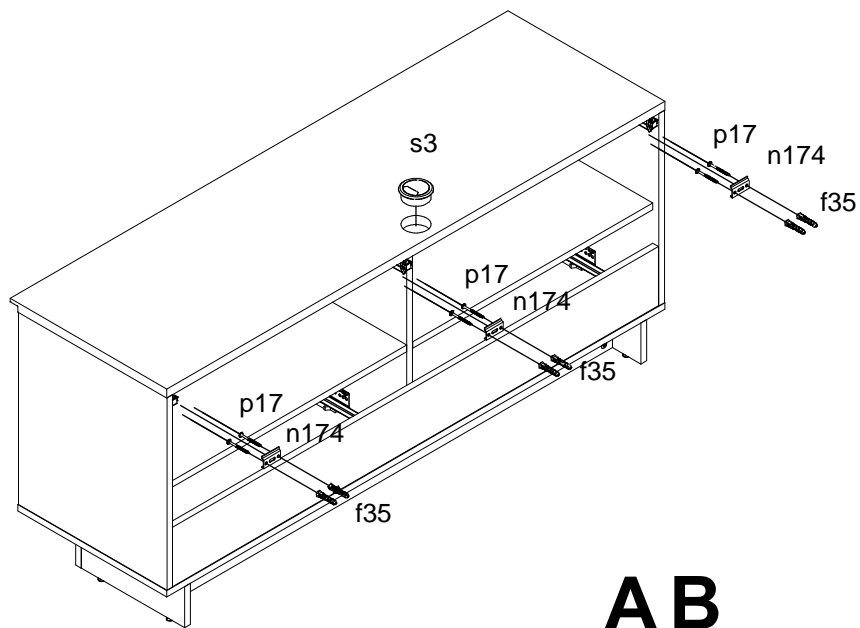


# C



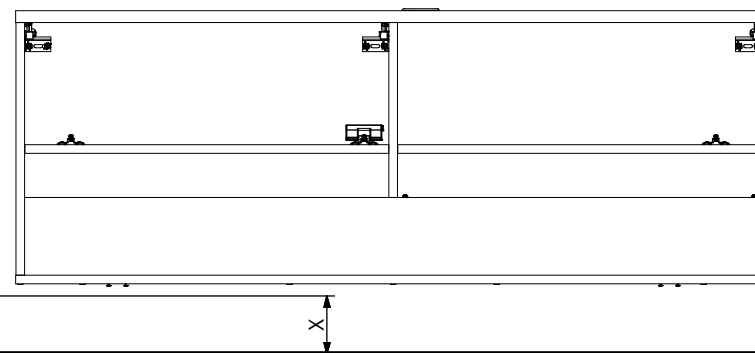
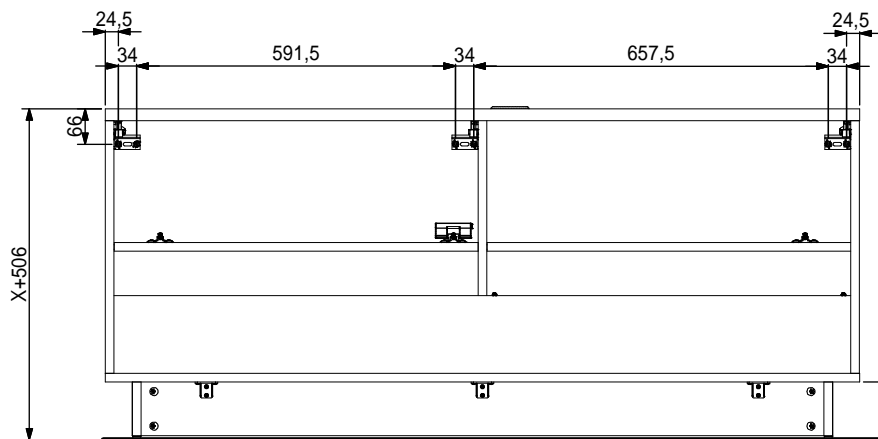
8

- 1x  s3
- 6x  f35
- 6x  p17
- 3x  n174



AB

C



9

