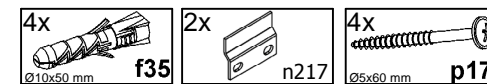
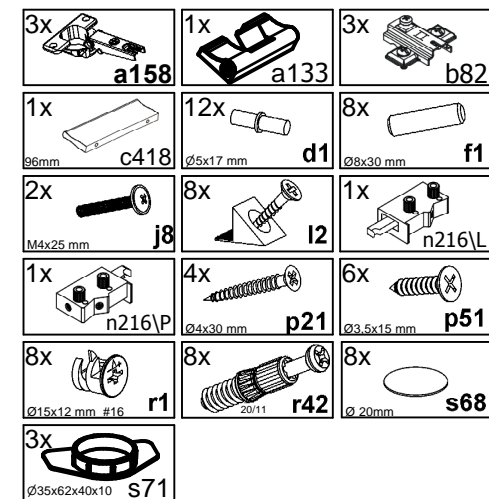
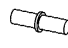




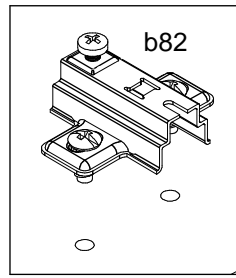
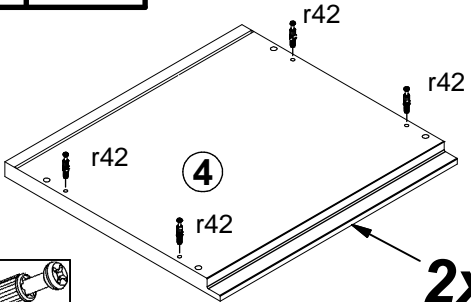
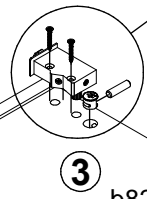
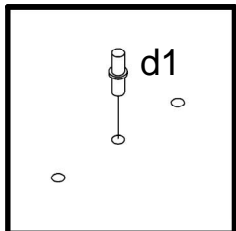
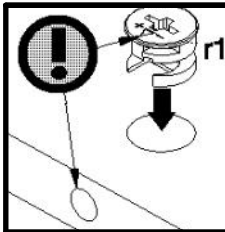
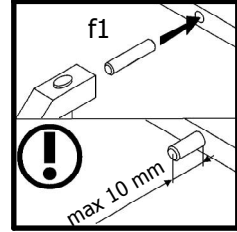
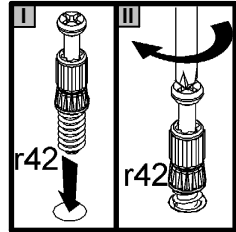
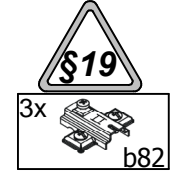
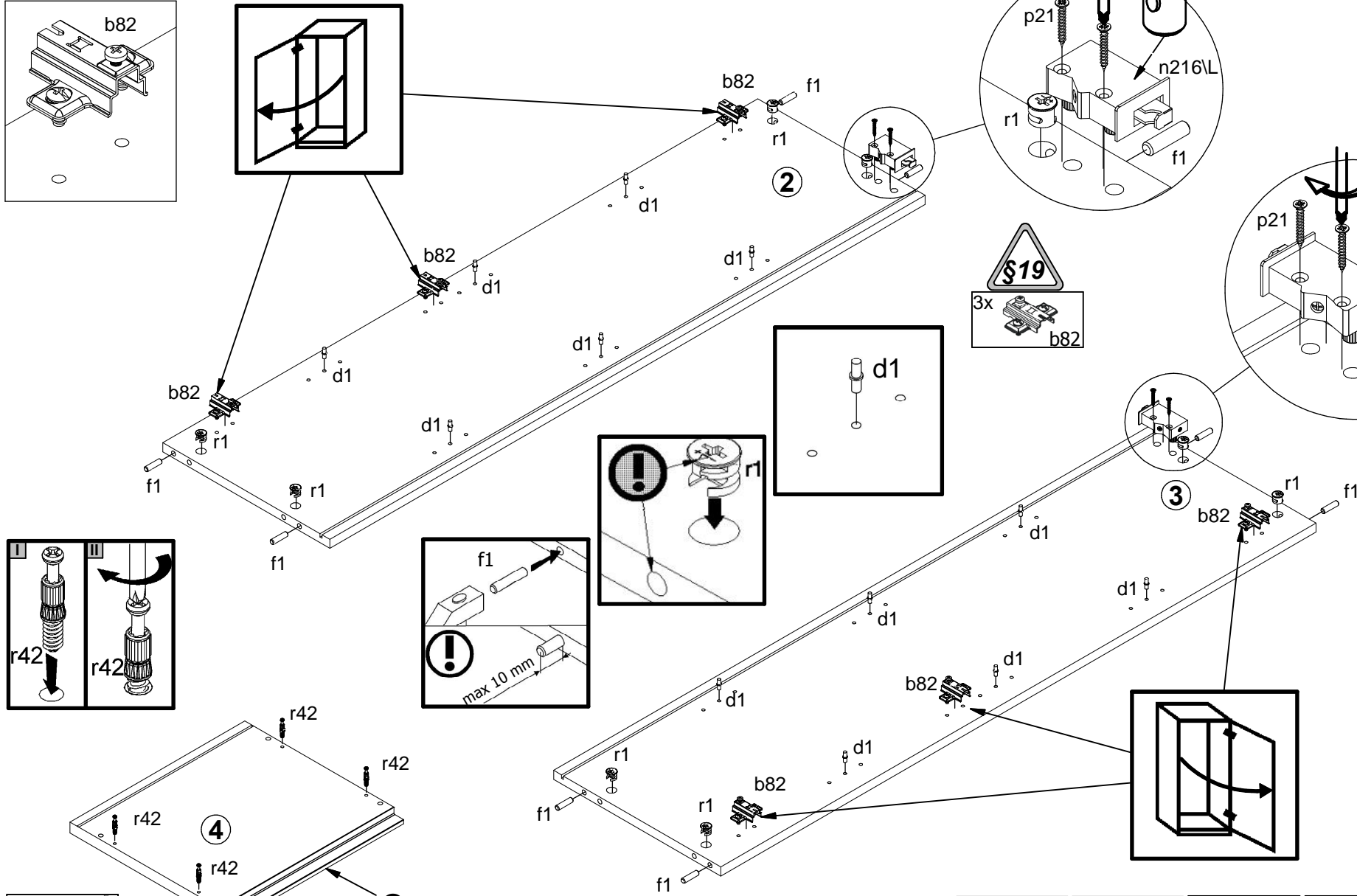
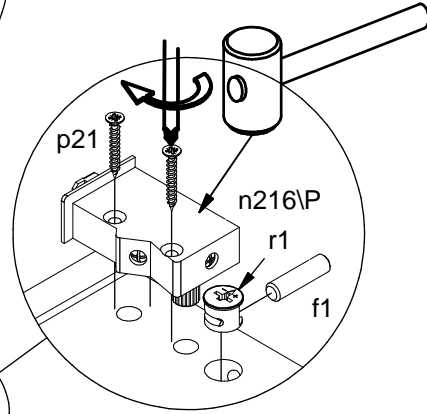
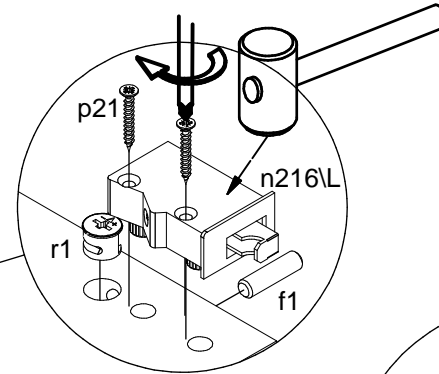
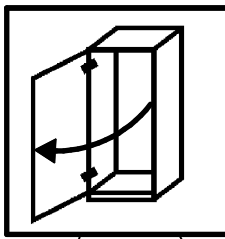
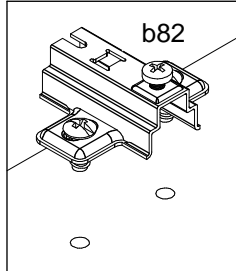



A	B	C1	C2	C3	D
1	S507-0001	1232	396	19	1/1
2	S507-1005	1210	340	16	1/1
3	S507-1006	1210	340	16	1/1
4	S507-2003	400	363	22	1/1
5	S507-3007	366	310	16	1/1
6	S507-9006	1220	377	2,5	1/1








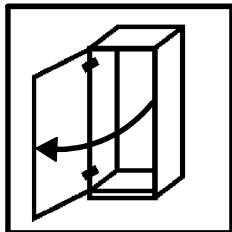
- 6x  d1 $\varnothing 5 \times 17$ mm
- 4x  r1 $\varnothing 15 \times 12$ mm #16
- 4x  f1 $\varnothing 8 \times 30$ mm
- 1x  n216L
- 2x  p21 $\varnothing 4 \times 30$ mm



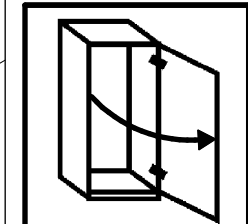
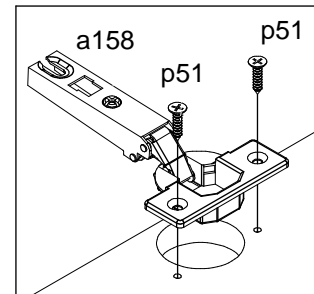
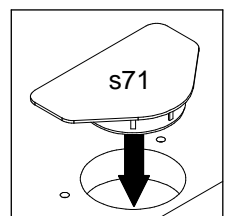
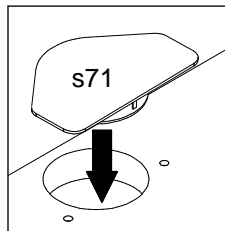
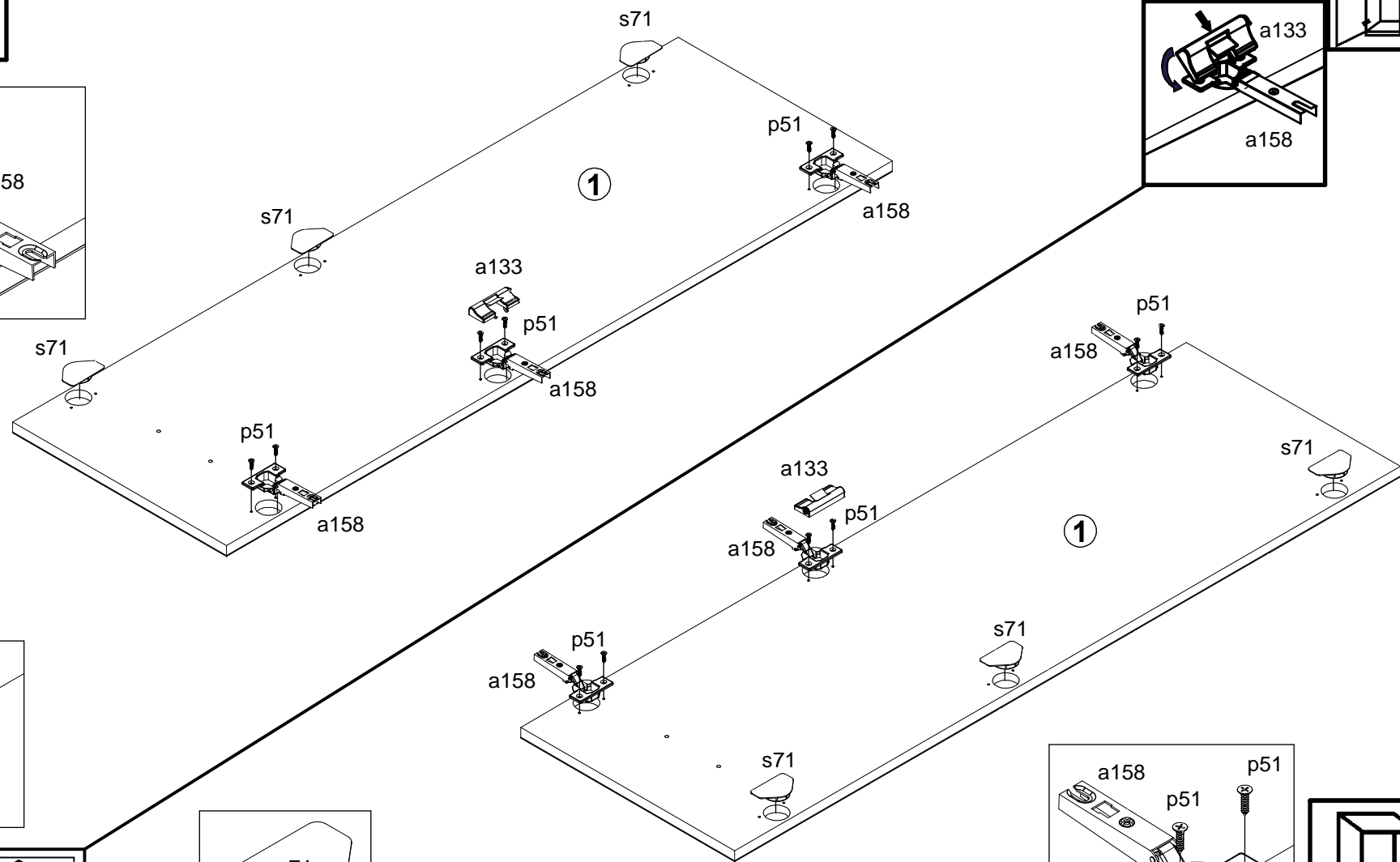
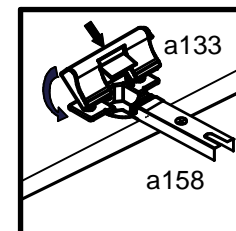
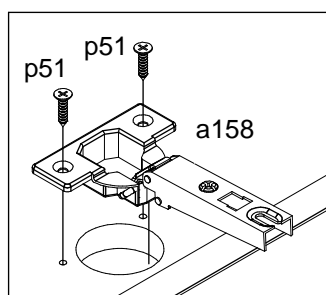
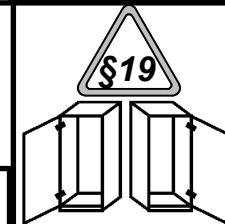
- 4x  r42 $\varnothing 4 \times 30$ mm

2x

- 2x  p21 $\varnothing 4 \times 30$ mm
- 1x  n216P
- 6x  d1 $\varnothing 5 \times 17$ mm
- 4x  r1 $\varnothing 15 \times 12$ mm #16
- 4x  f1 $\varnothing 8 \times 30$ mm



1



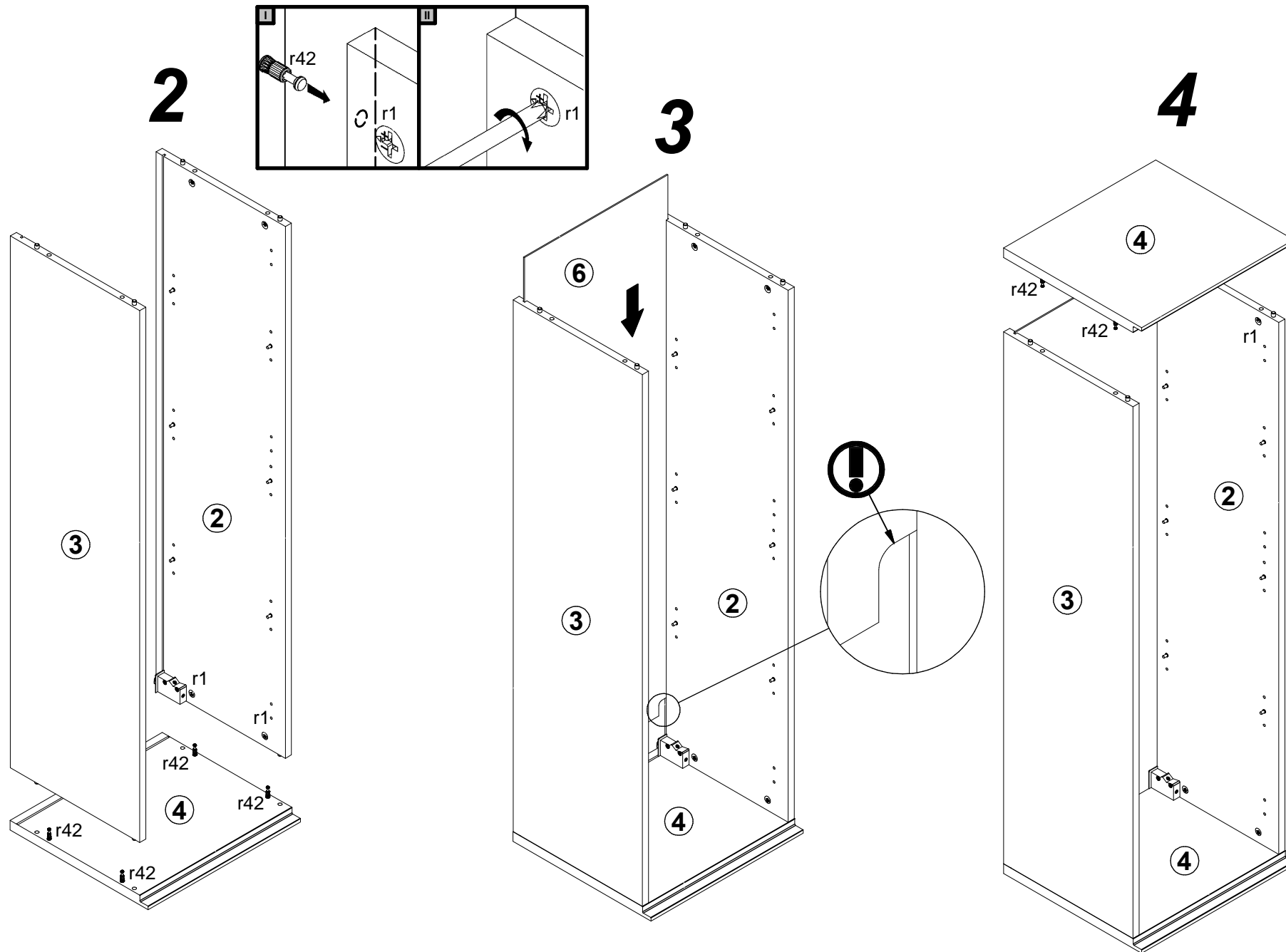
- | | |
|-----------------------------|-------------------------------|
| 3x

a158 | 1x

a133 |
| 6x

p51
Ø3,5x15 mm | 3x

s71
Ø35x62x40x10 |

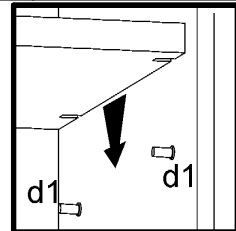
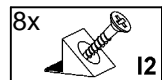
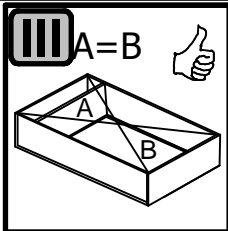
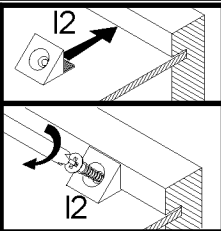
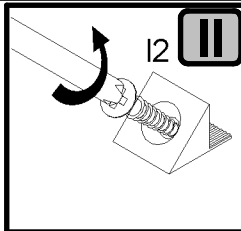
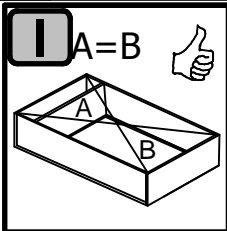


A

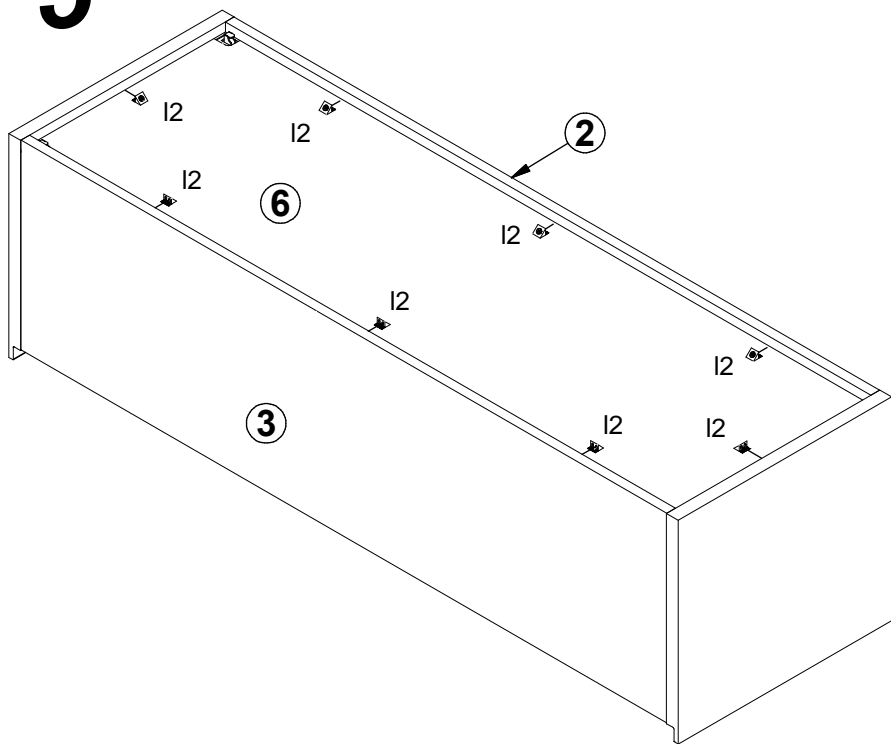
S507-SFW1D/13/4

10 H9 -- 11

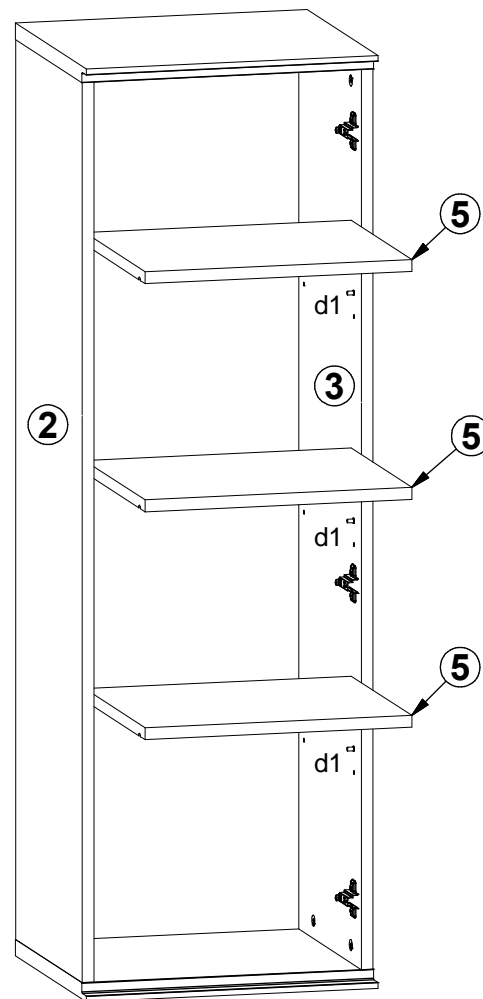
6 / 8

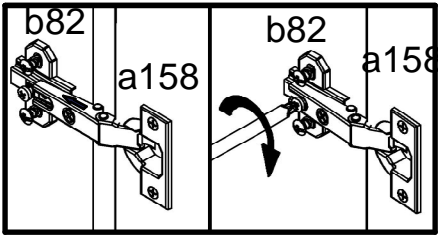


5



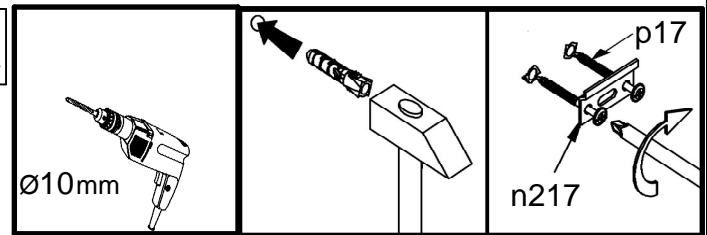
6



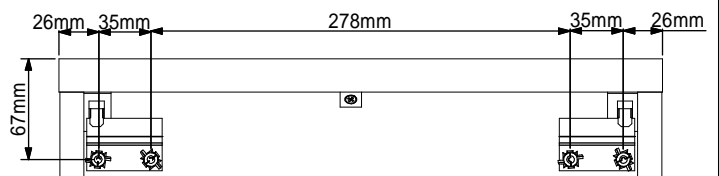
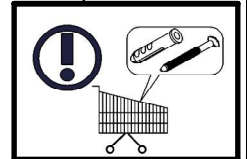
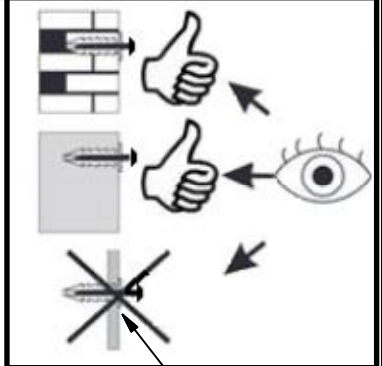
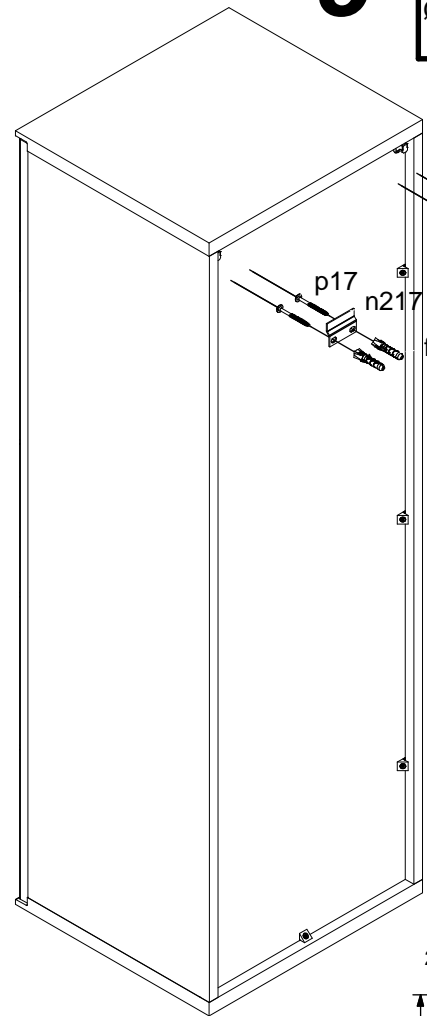
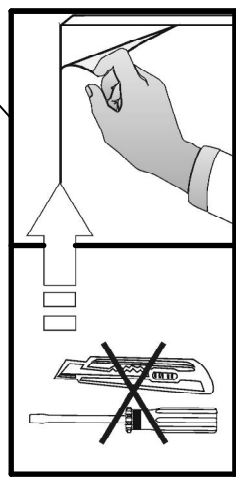
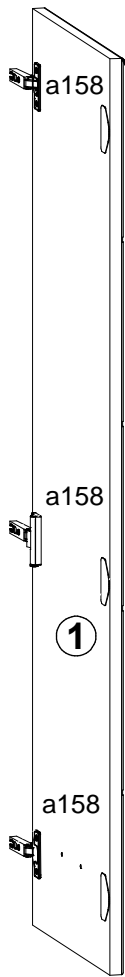
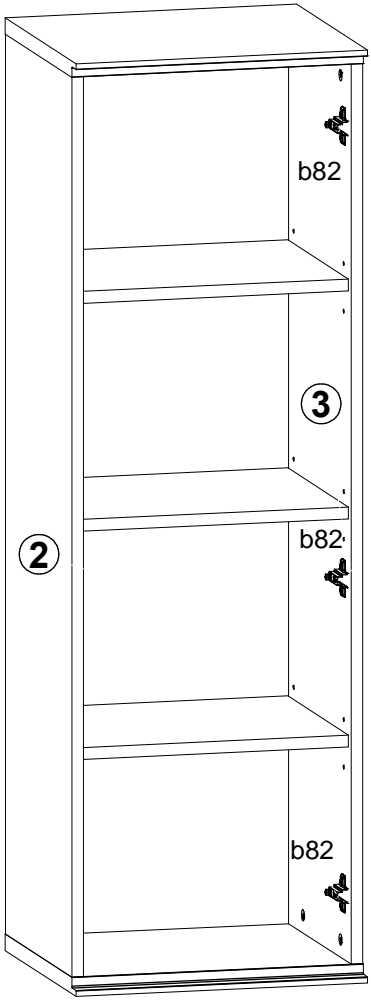


- 4x f35 $\varnothing 10 \times 50 \text{ mm}$
- 4x p17 $\varnothing 5 \times 60 \text{ mm}$
- 2x n217

8



7



9

