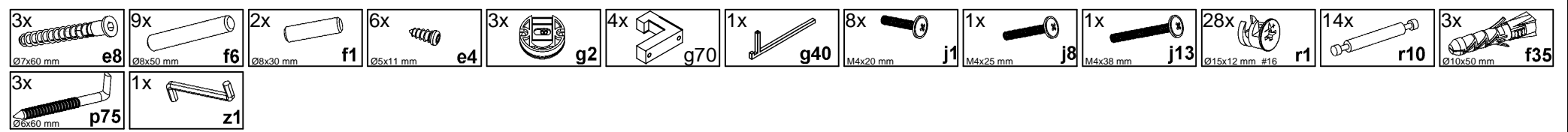
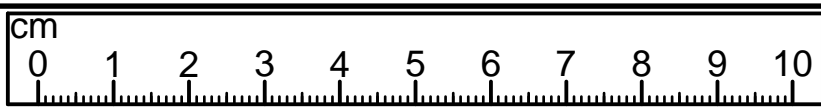
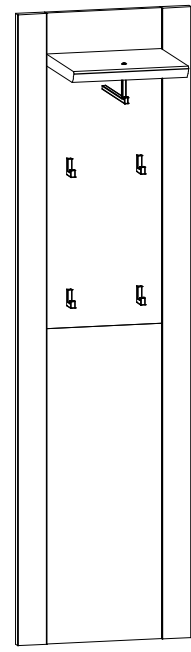
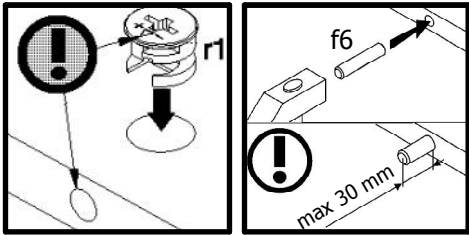
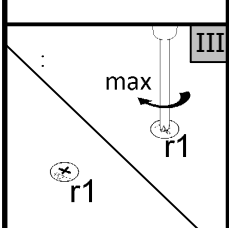
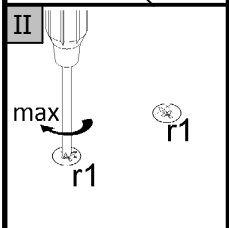
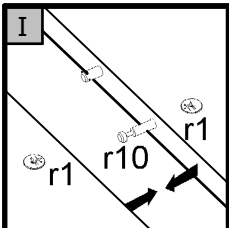
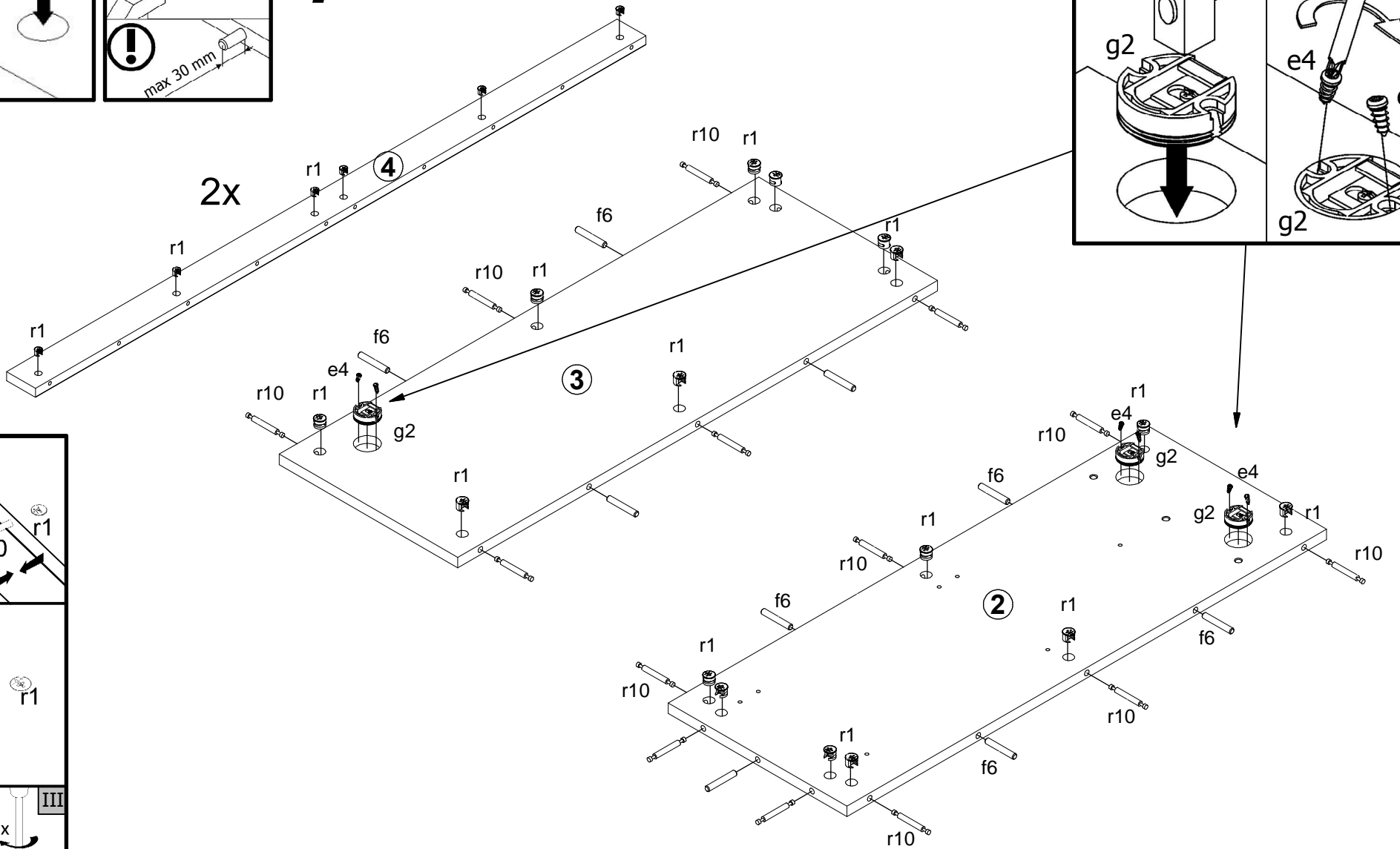
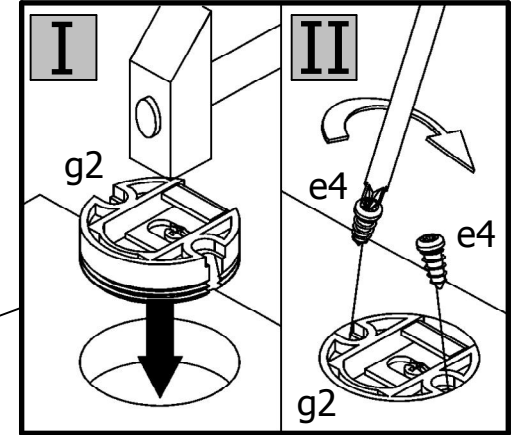


A	B	C (mm)		D
1	M222-3008	315	280	1/1
2	M222-4304	848	316	1/1
3	M222-4305	848	316	1/1
4	M222-5005	1696	80	1/1



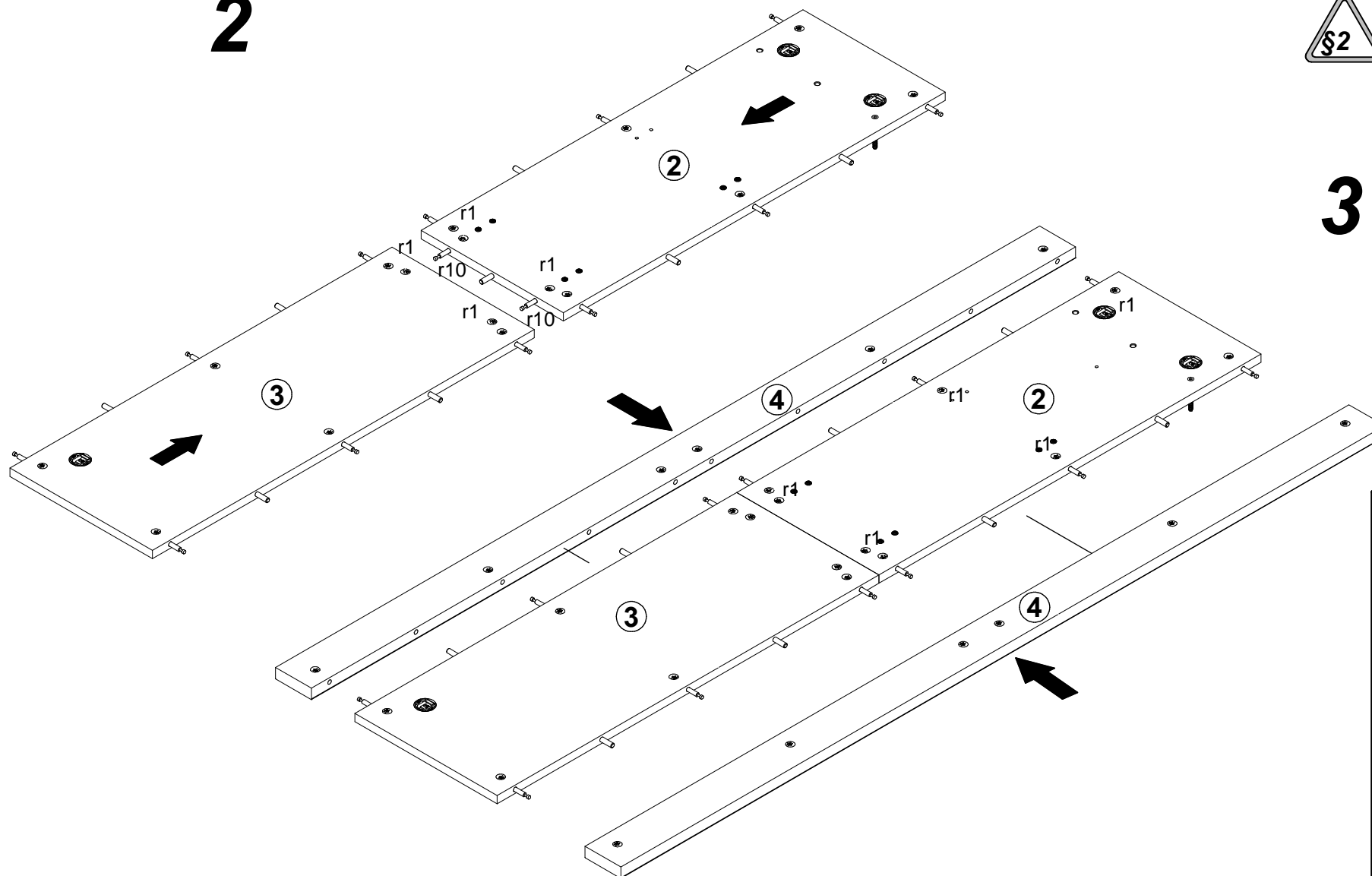


1

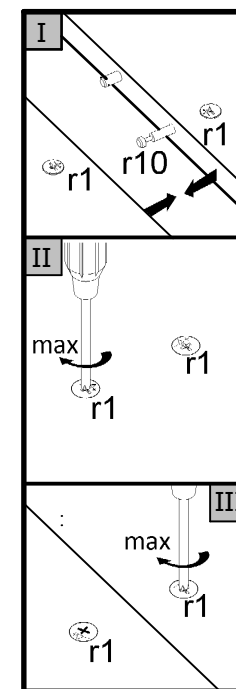


- 6x e4  $\varnothing 5 \times 11$  mm
- 3x g2  $\varnothing 15 \times 12$  mm #16
- 22x r1  $\varnothing 8 \times 50$  mm
- 9x f6  $\varnothing 8 \times 50$  mm
- 14x r10  $\varnothing 8 \times 50$  mm

2

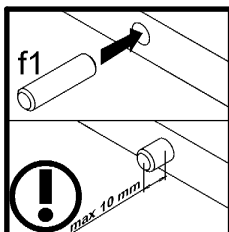
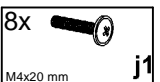
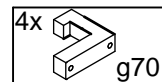
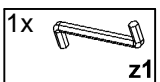
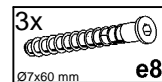
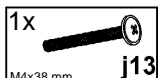
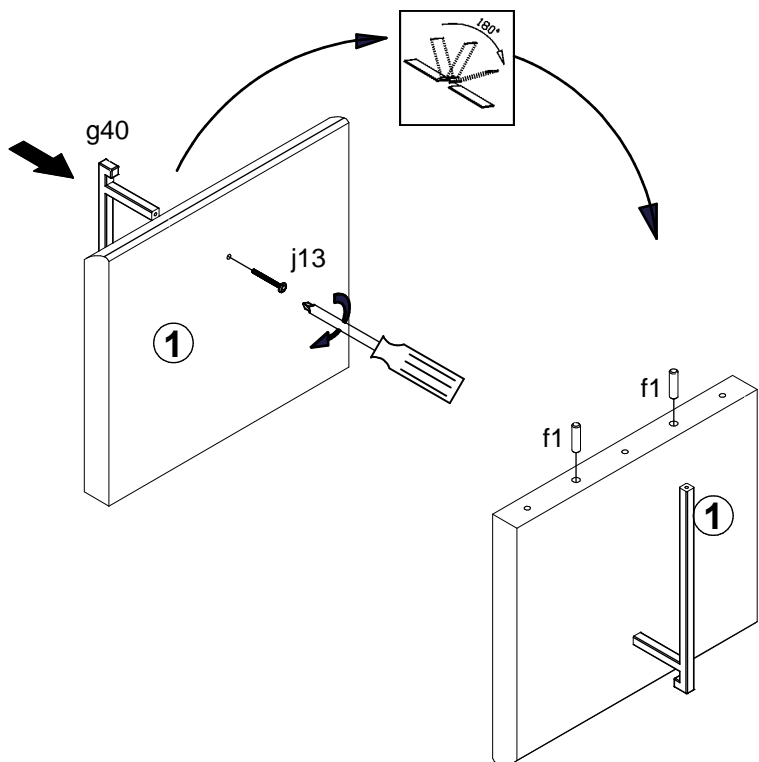
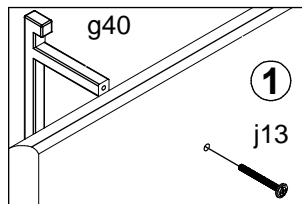


3

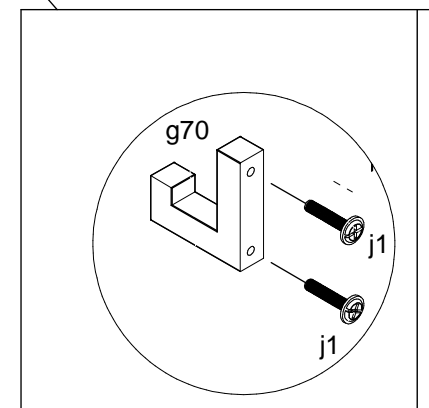
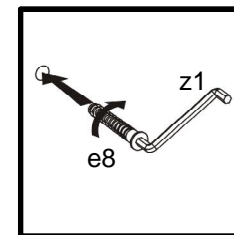
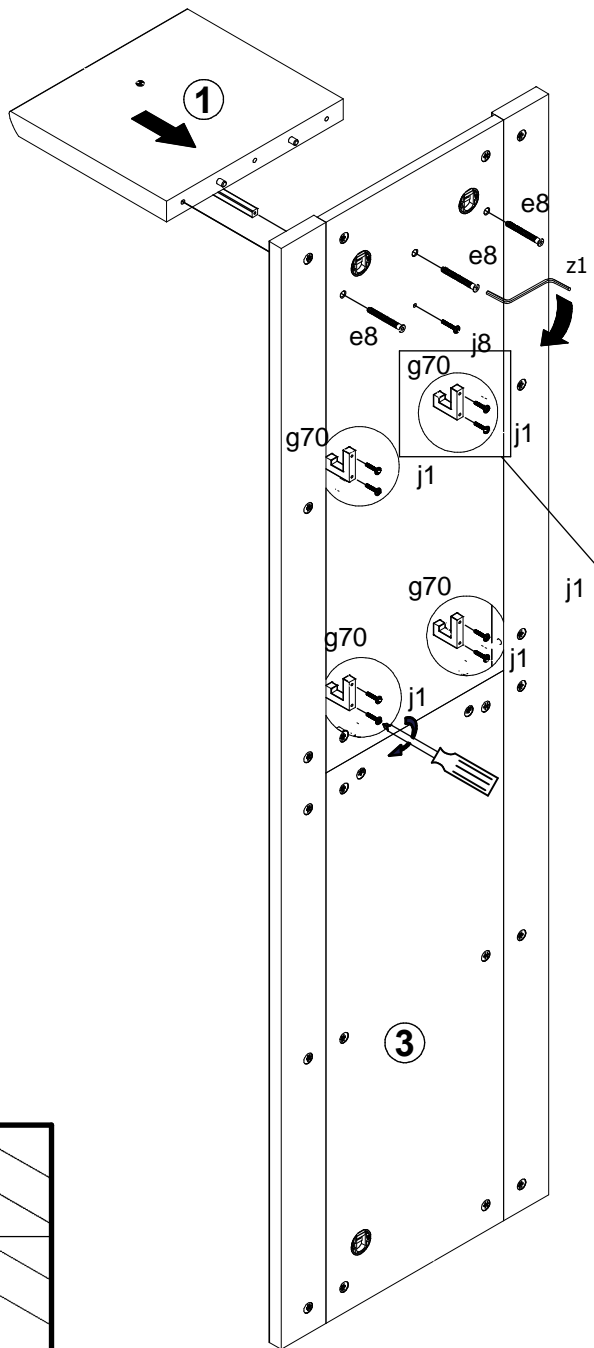


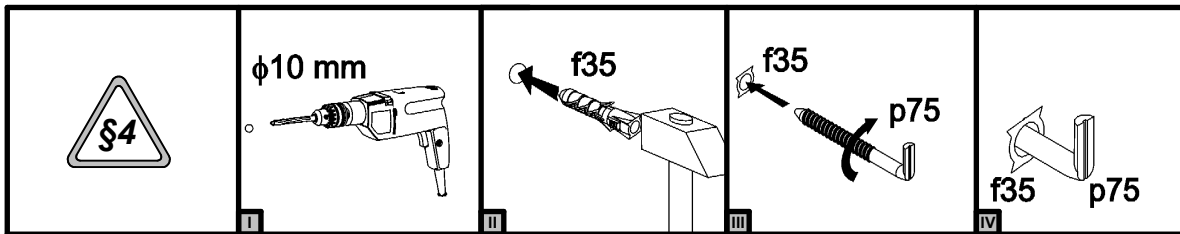
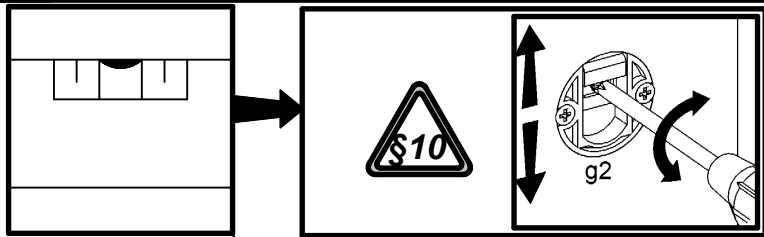


4



5





6

