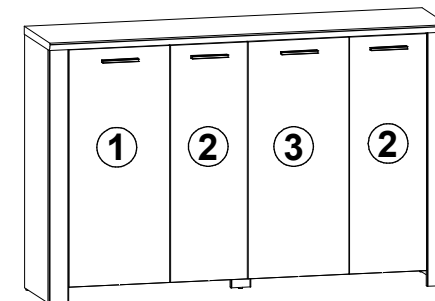


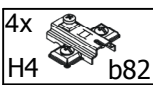
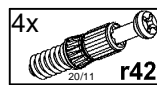
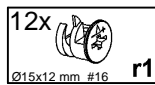
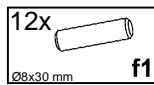
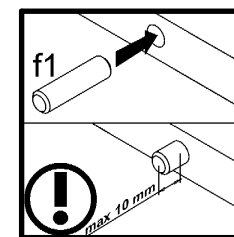
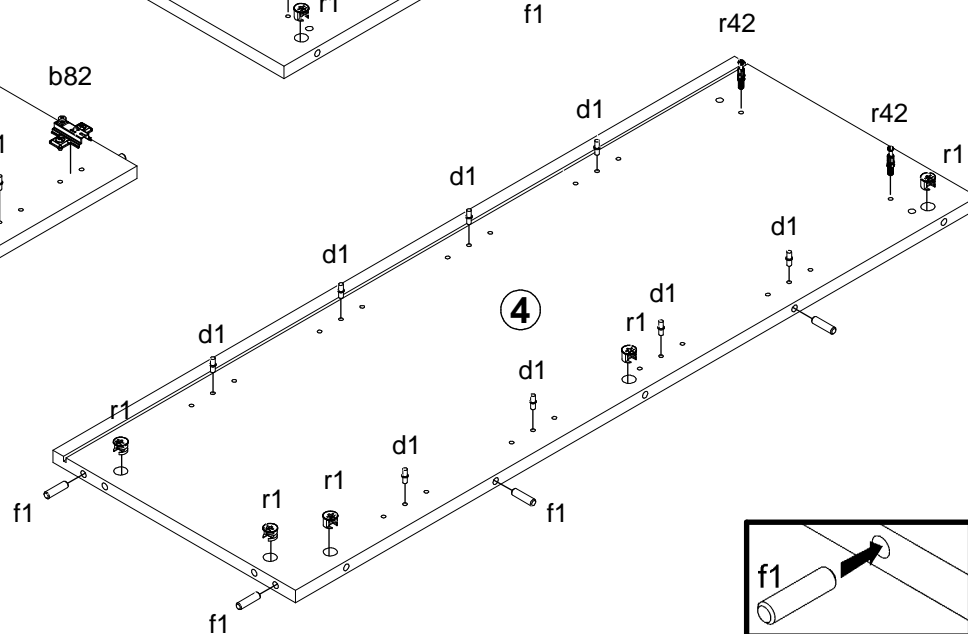
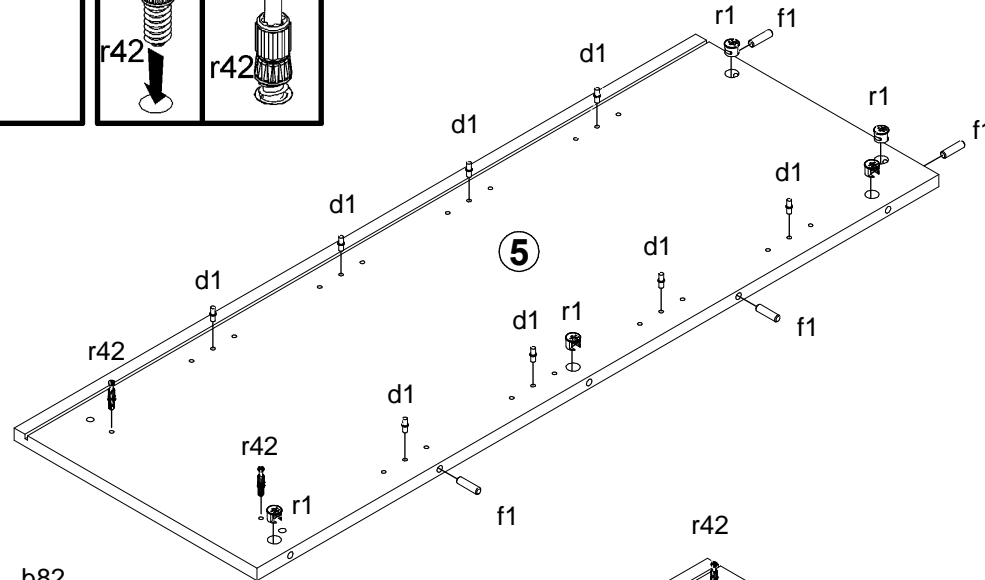
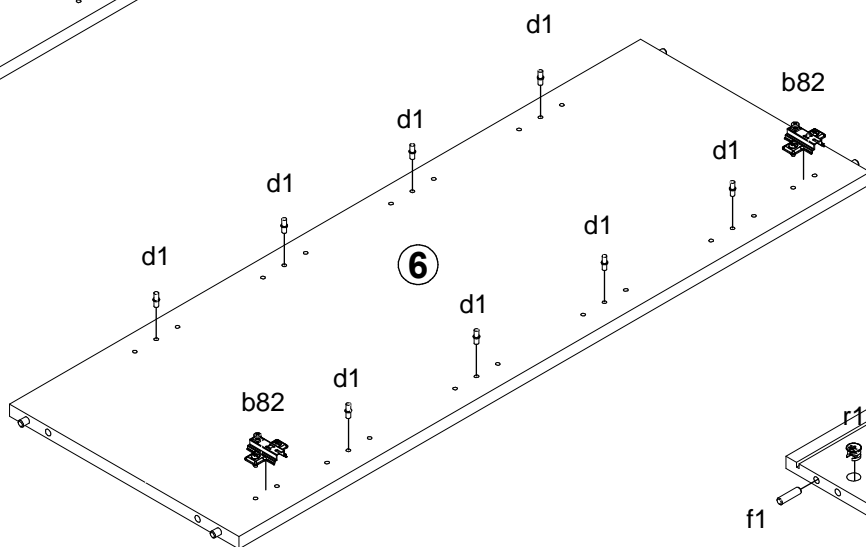
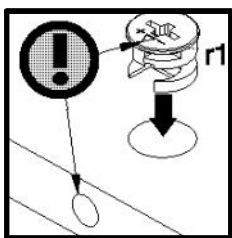
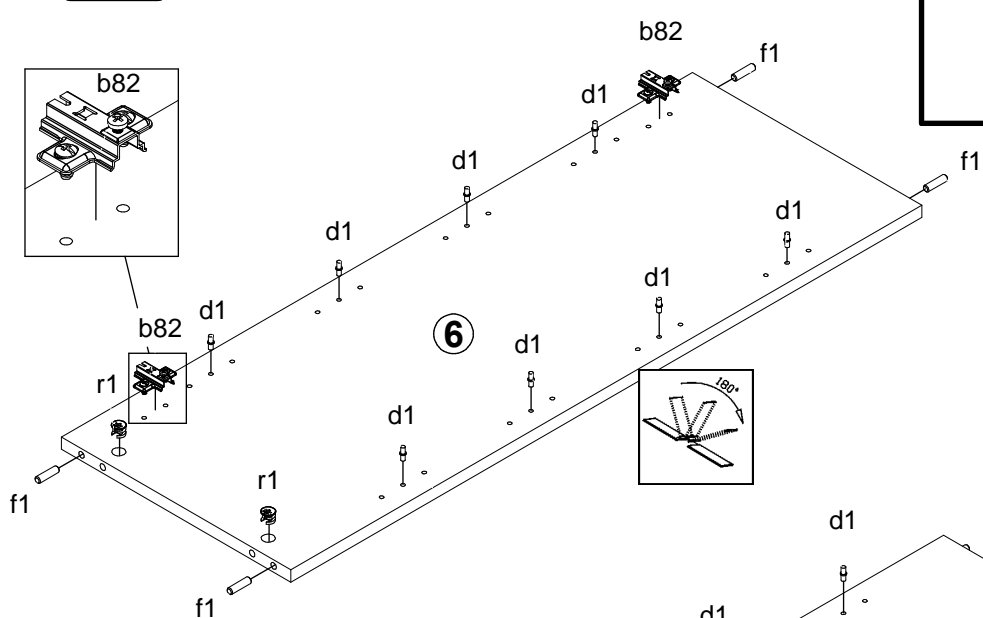
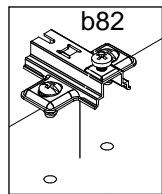
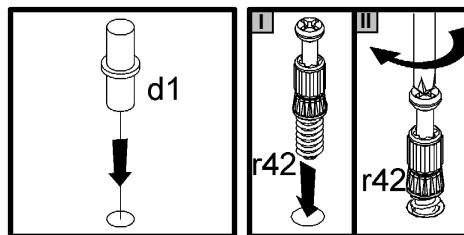
A	B	C (mm)		D
1	M222-0003	956	414,	3/3
2	M222-0004	956	316	3/3
3	M222-0005	956	414,	3/3
4	M222-1004	1022	364	2/3
5	M222-1005	1022	364	2/3
6	M222-1007	946	344	2/3
7	M222-2003	1637	400	2/3
8	M222-3011	792	334	1/3
9	M222-3012	1603	344	2/3
10	M222-5002	60	80	3/3
11	M222-5008	1022	80	3/3
12	M222-5009	1022	80	3/3
13	M222-9301	965	807	3/3



4x a132	8x H4 b82	4x a159	4x a133	4x L-148mm c469/2	32x Ø5x17 mm d1	3x Ø7x50 mm e1	17x Ø8x30 mm f1	5x k1	16x l1	14x l2	7x 20x13x3,5/1 n108	7x Ø2,9x16 mm p55
8x Ø4x22 mm p60	16x Ø3,5x15 mm p51	16x Ø15x12 mm #16 r1	16x 20/11 r42	6x Ø16 s2	1x z1							

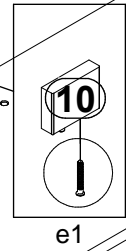
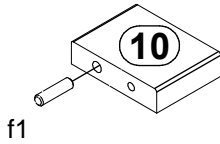
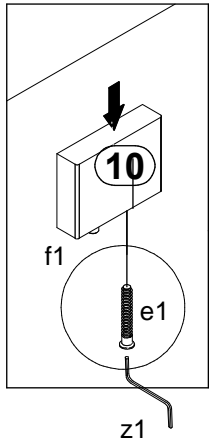


2x Ø10x50 mm f35	2x 86x21x15/1,5 n14/2	2x Ø5x60 mm p17	4x Ø3,5x16 mm p38
------------------------	-----------------------------	-----------------------	-------------------------

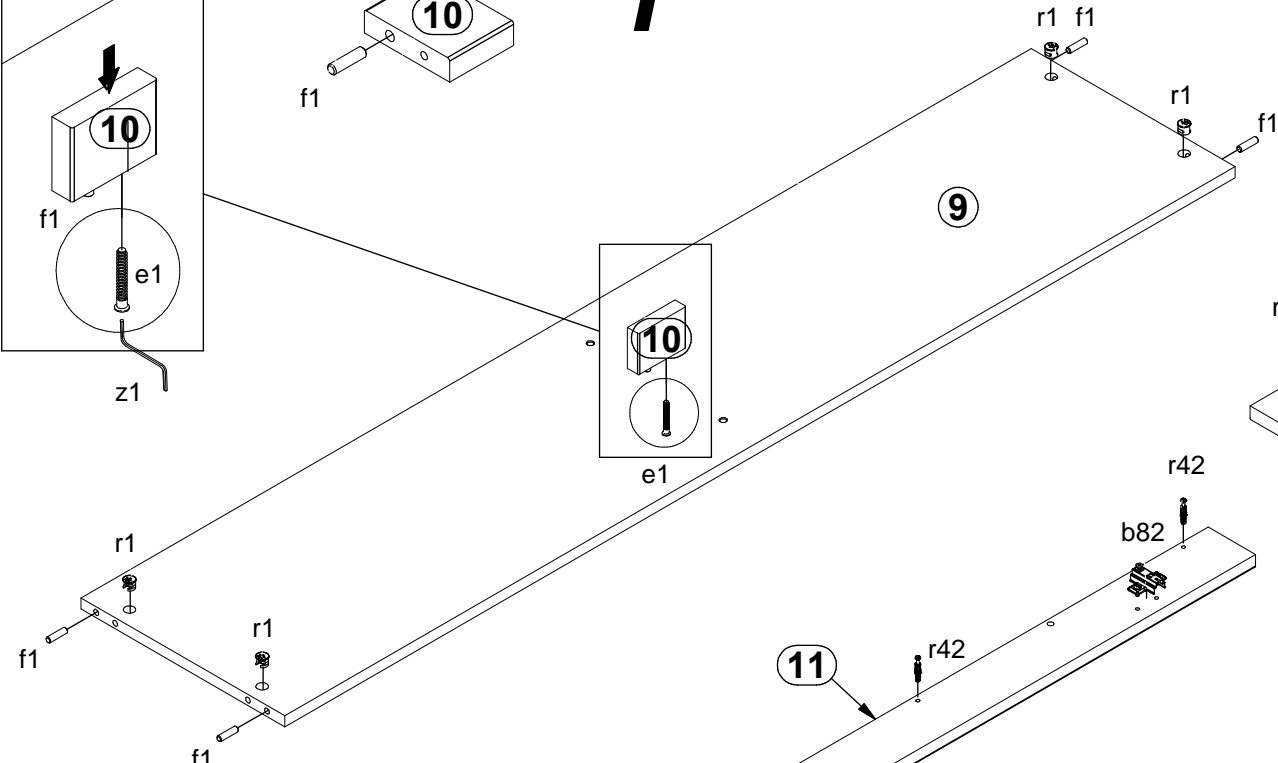




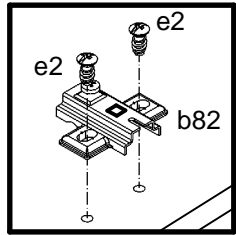
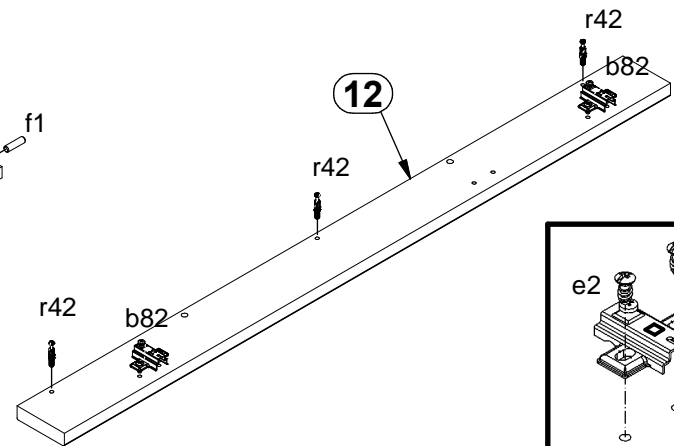
1



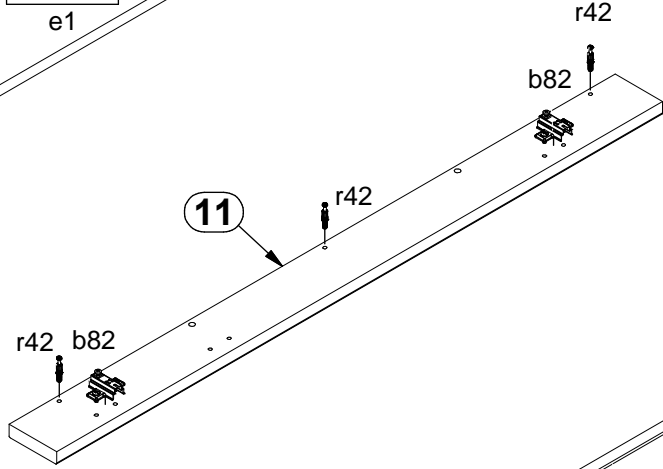
9



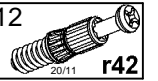
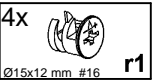
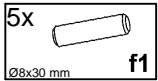
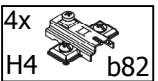
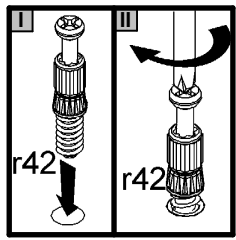
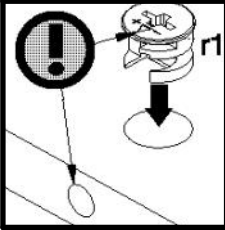
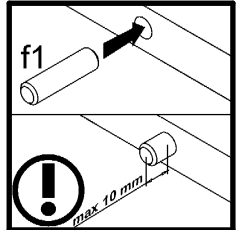
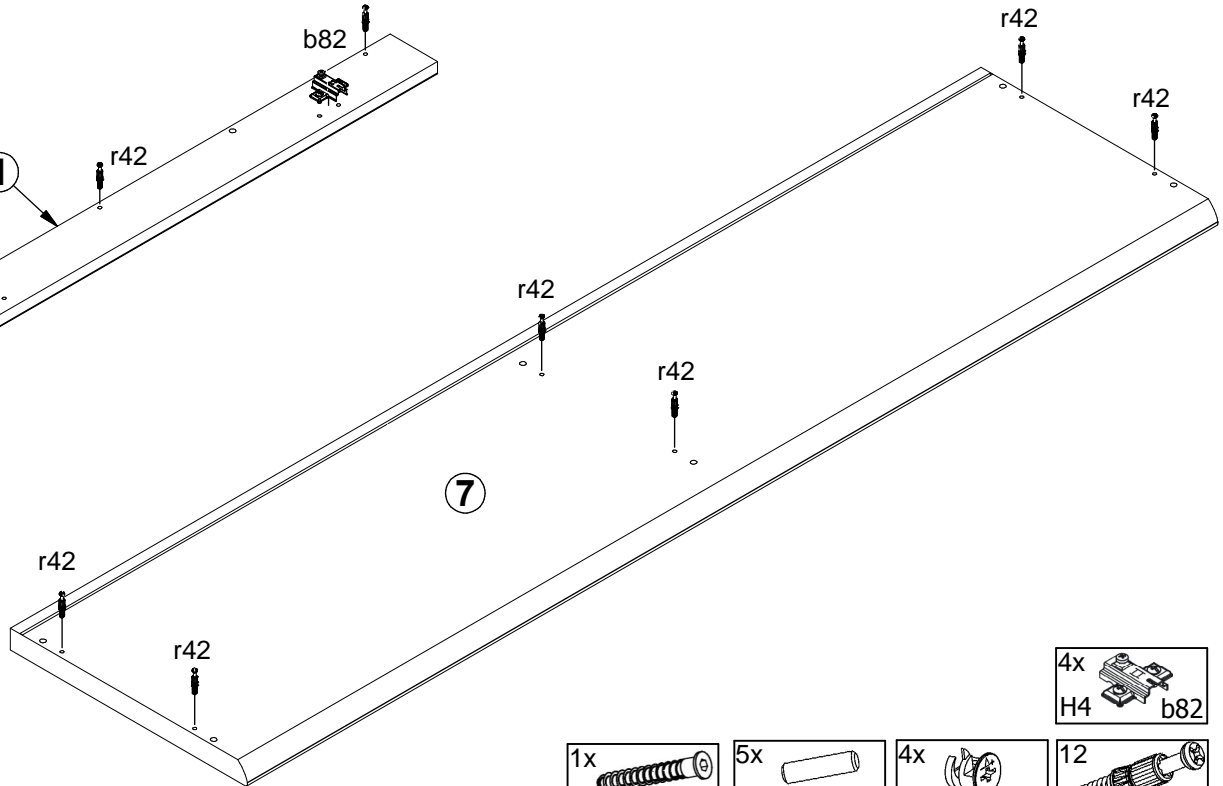
12

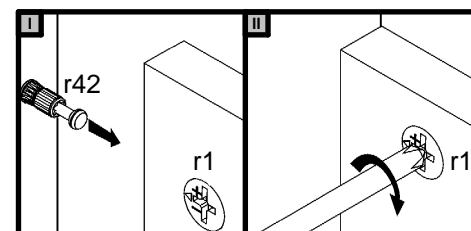
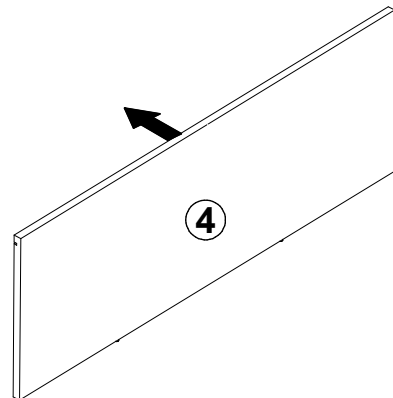
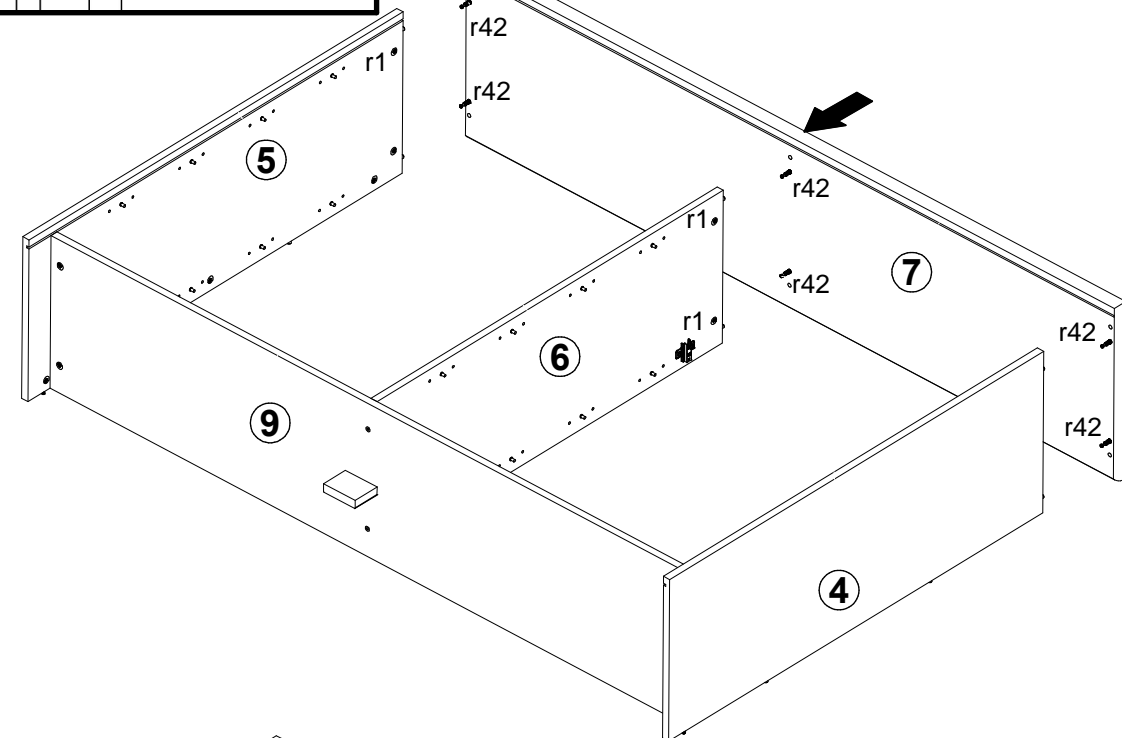
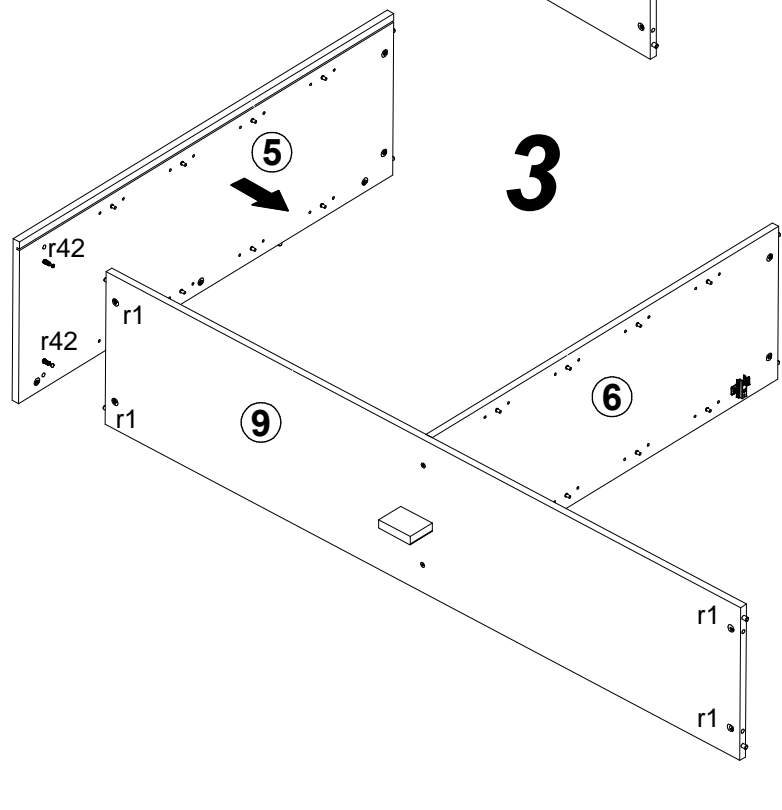
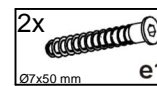
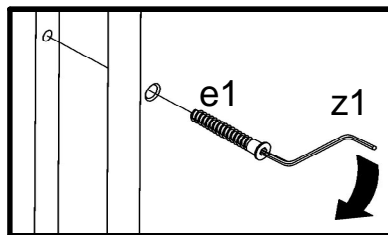
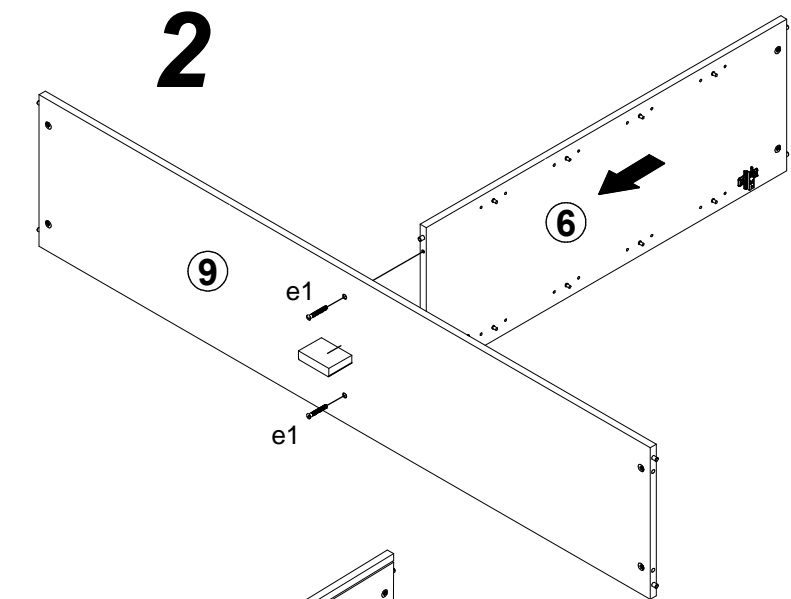


11

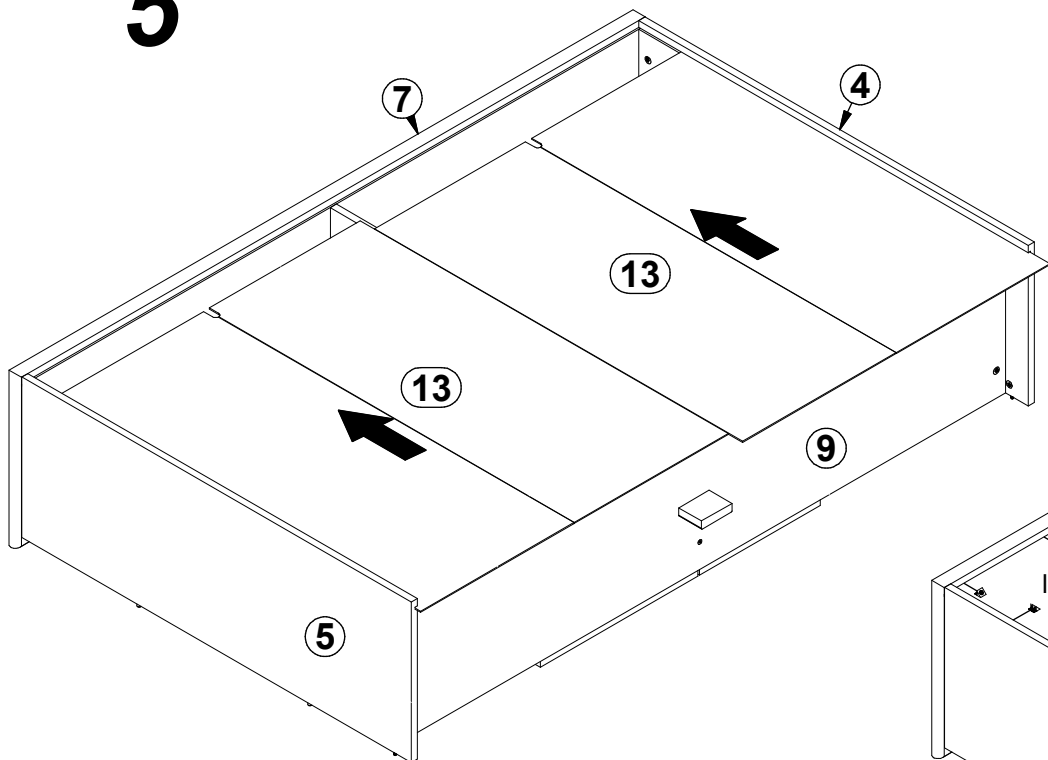


7

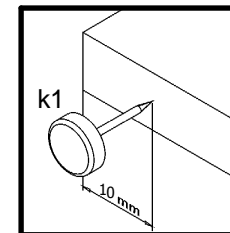
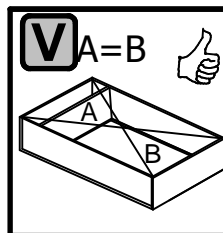
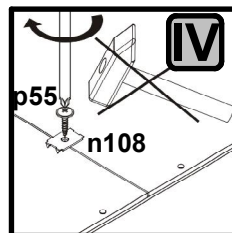
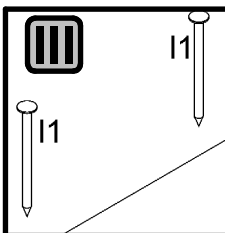
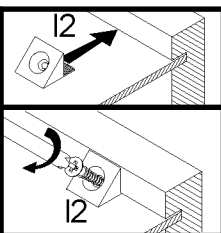
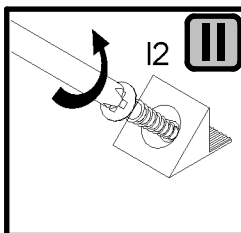
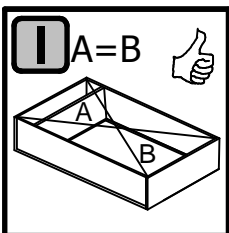
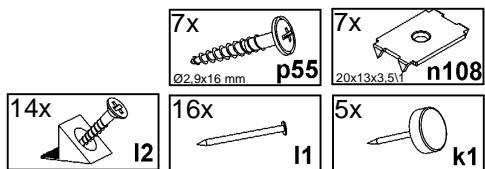
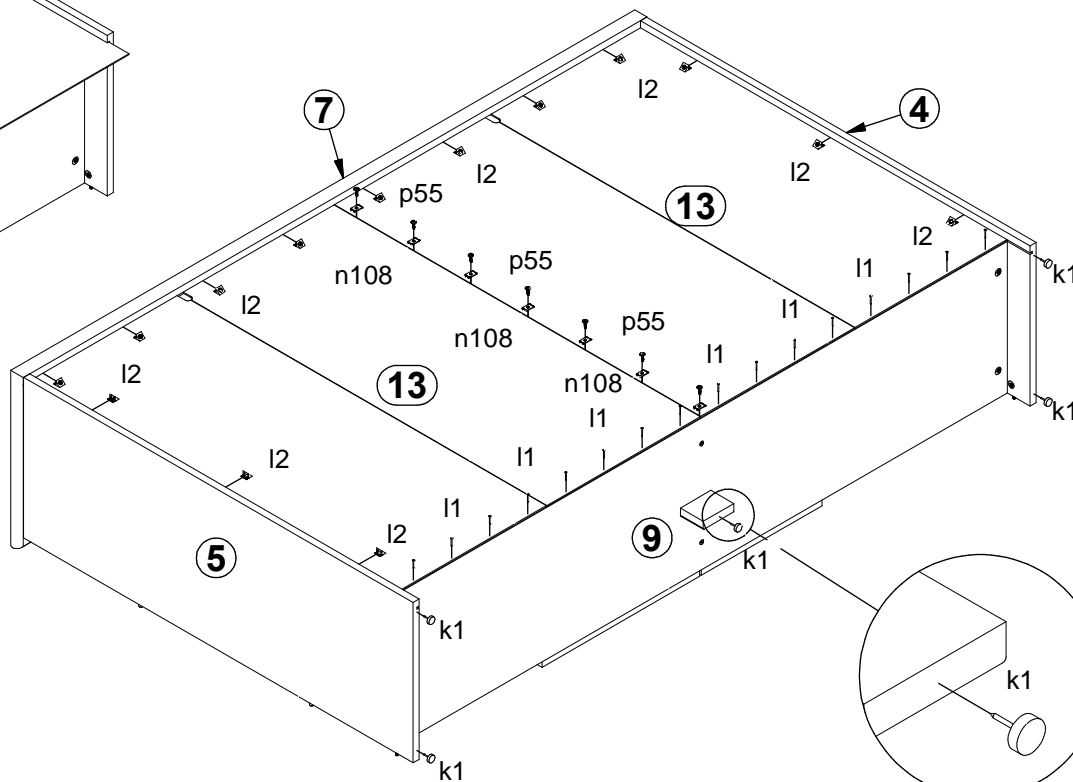




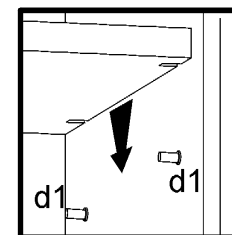
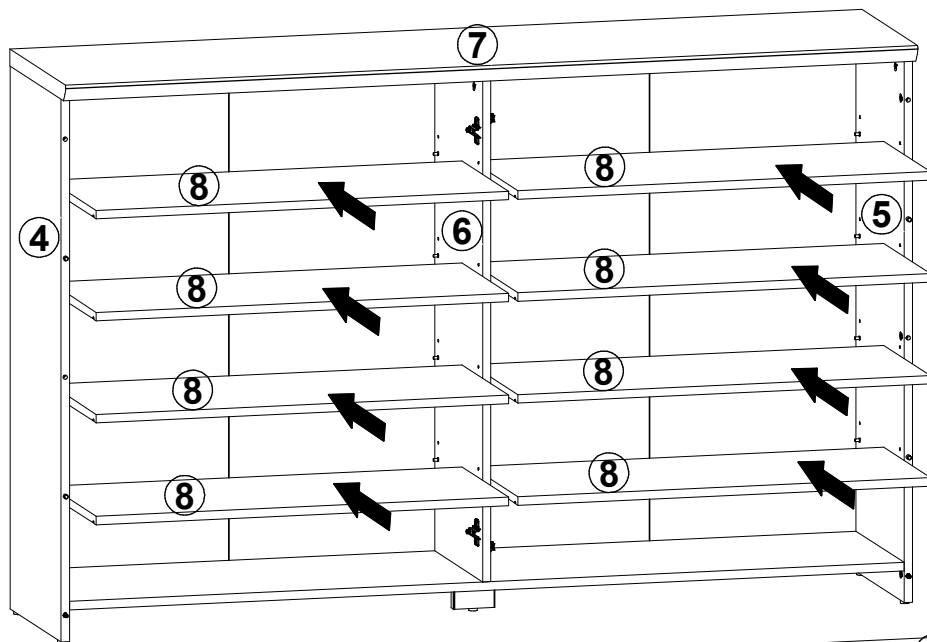
5



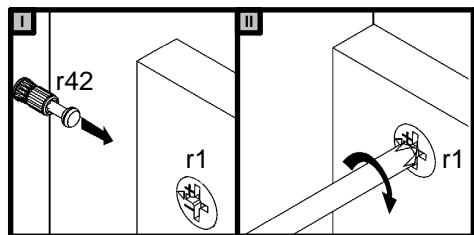
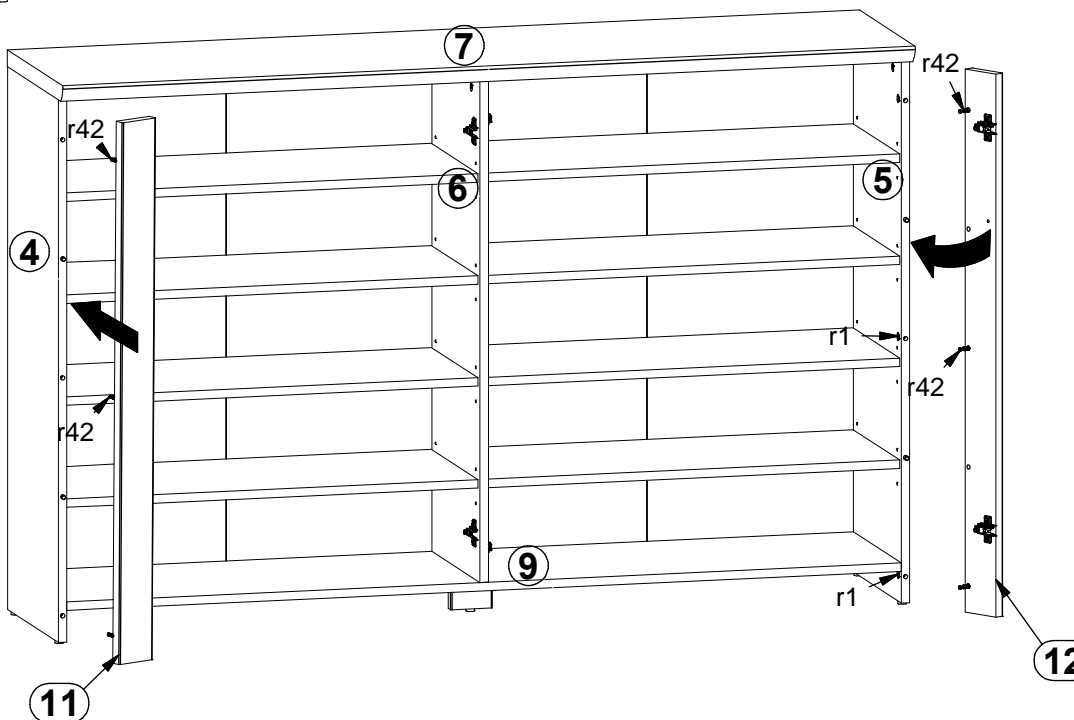
6



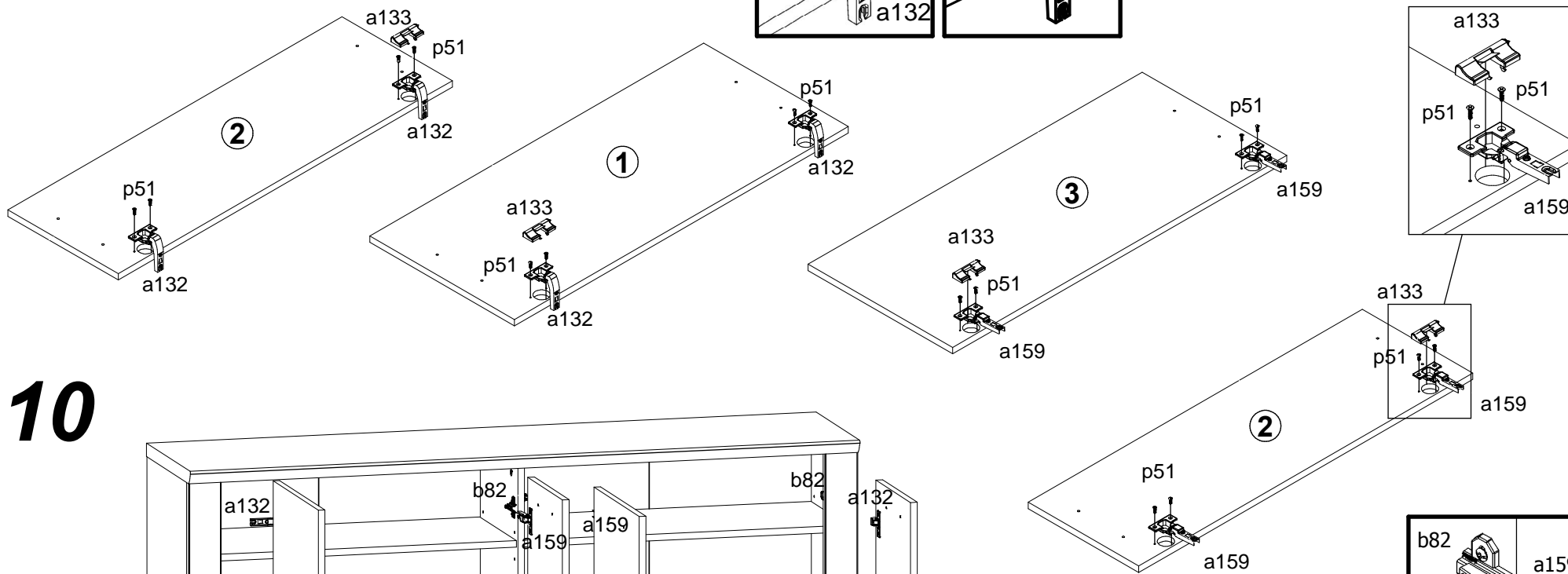
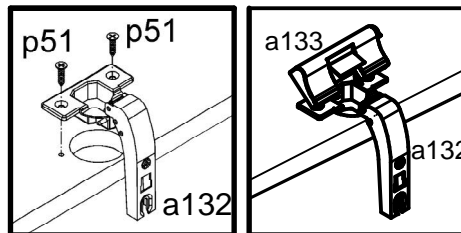
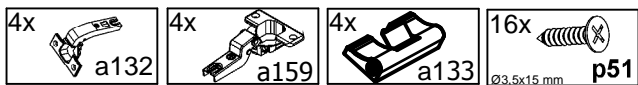
7



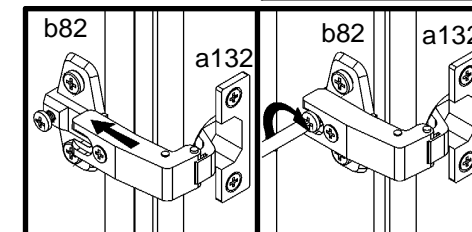
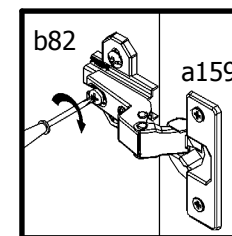
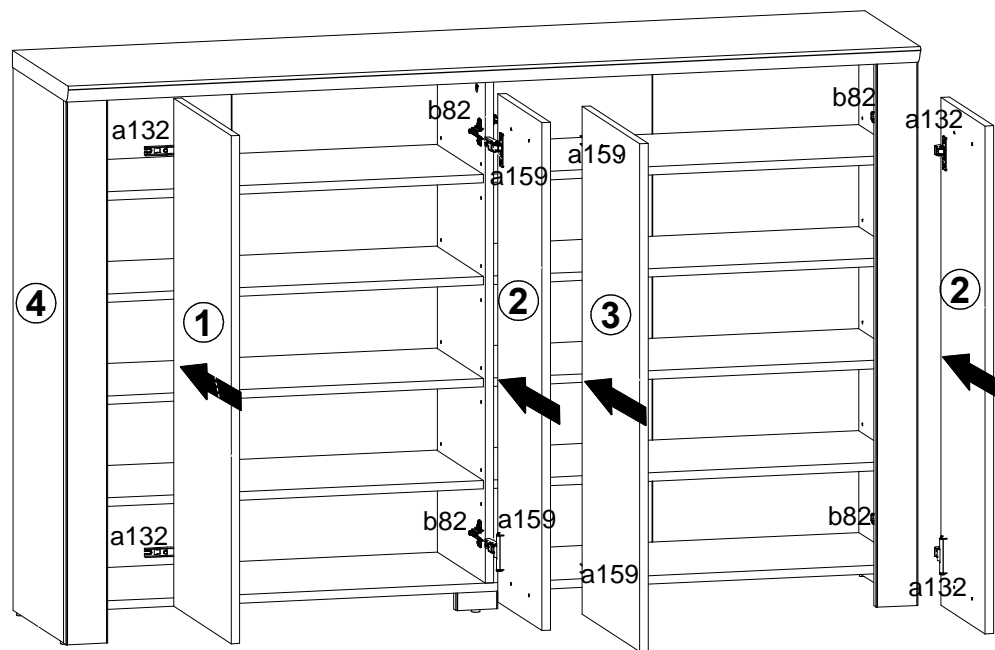
8

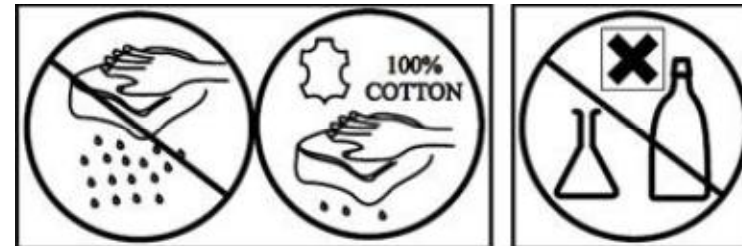
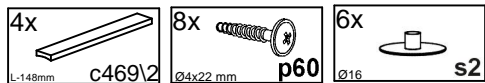


9

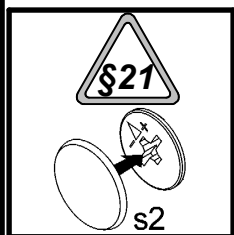
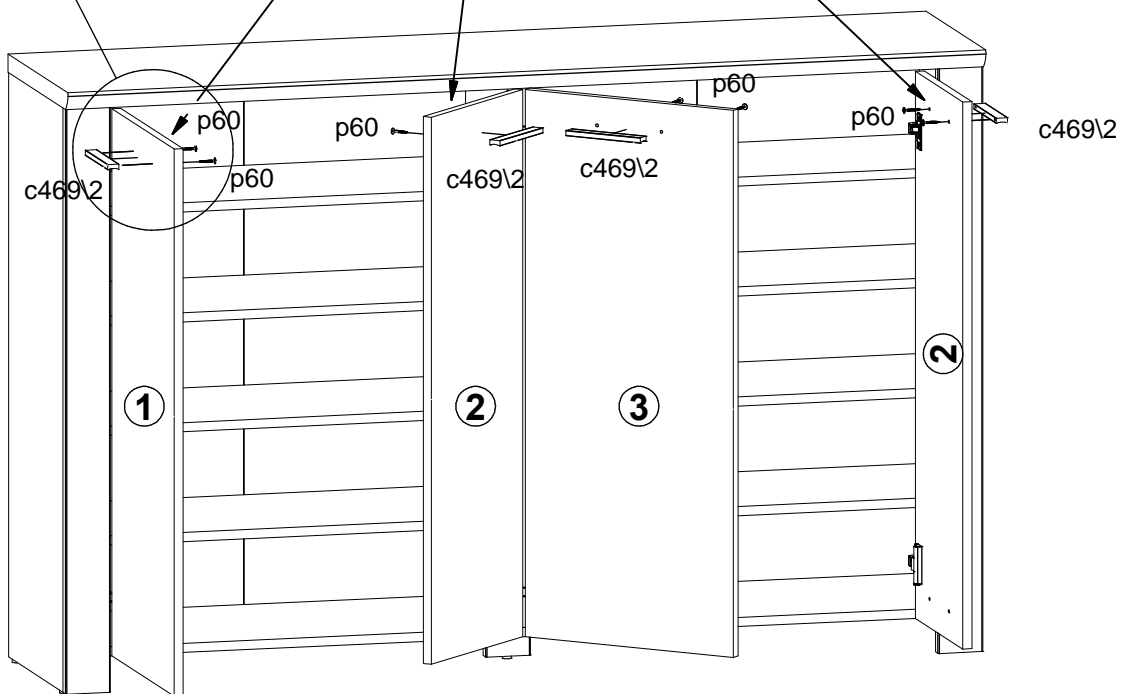
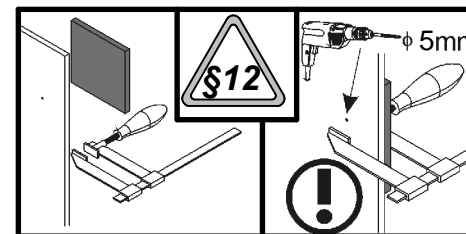
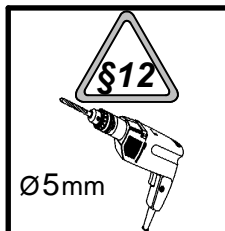
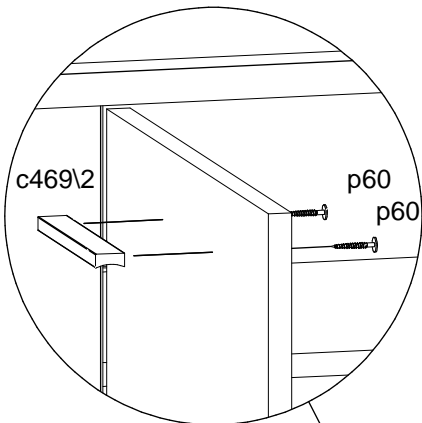


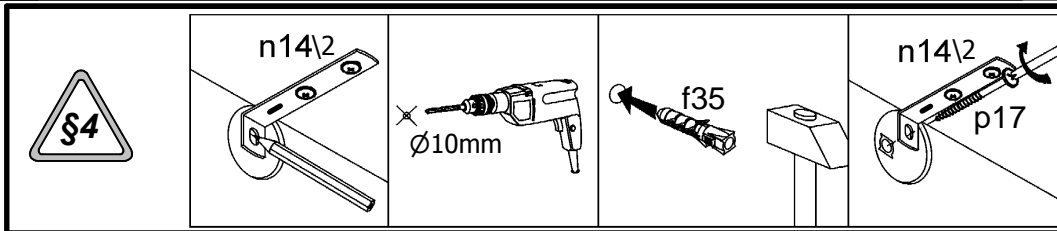
10





11





12

