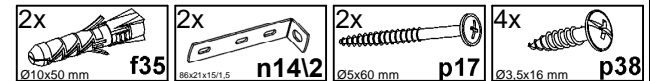
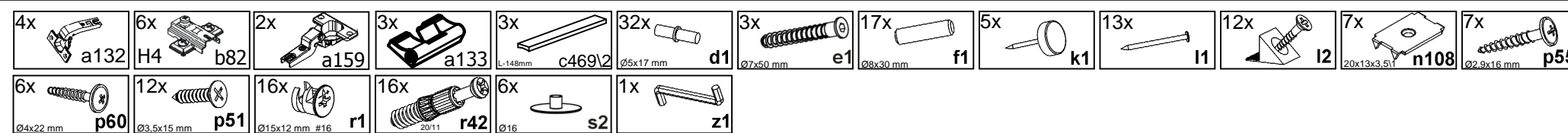
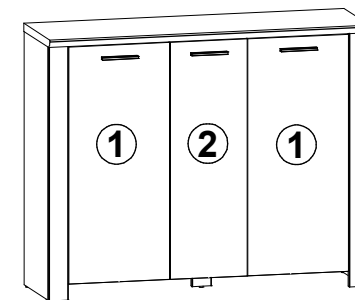
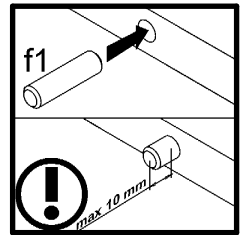
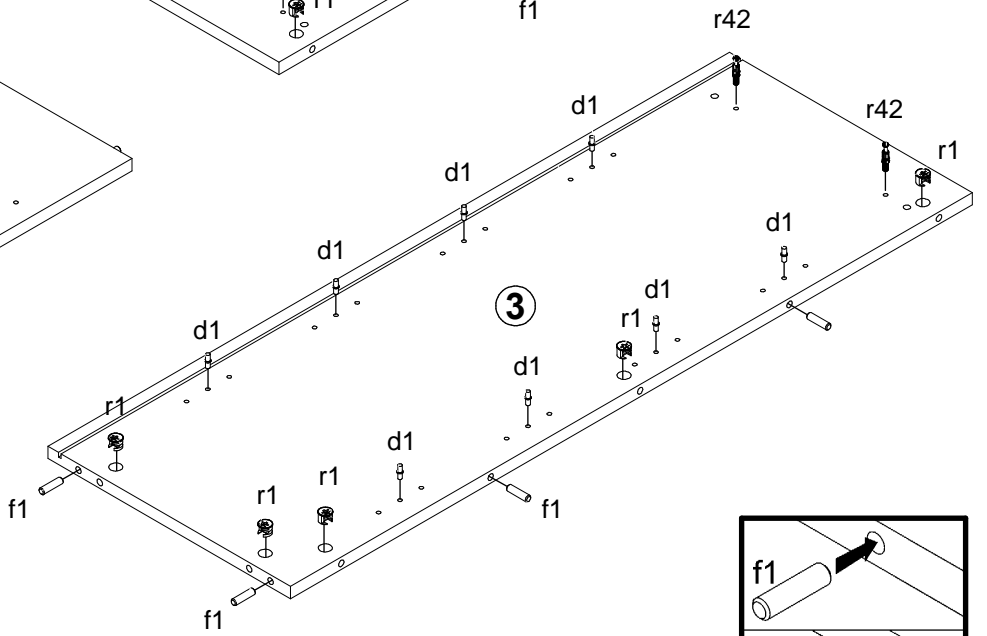
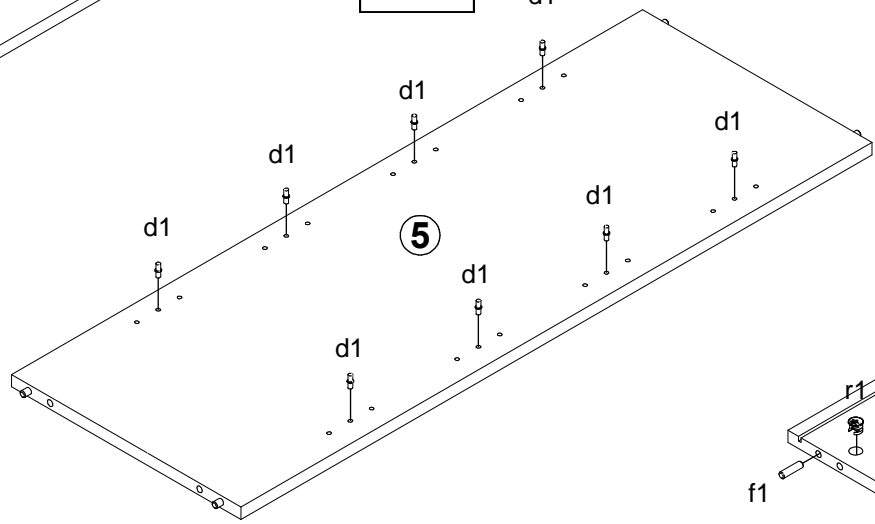
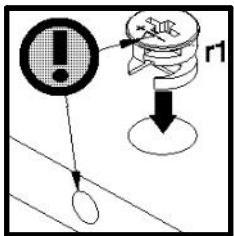
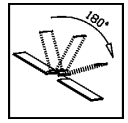
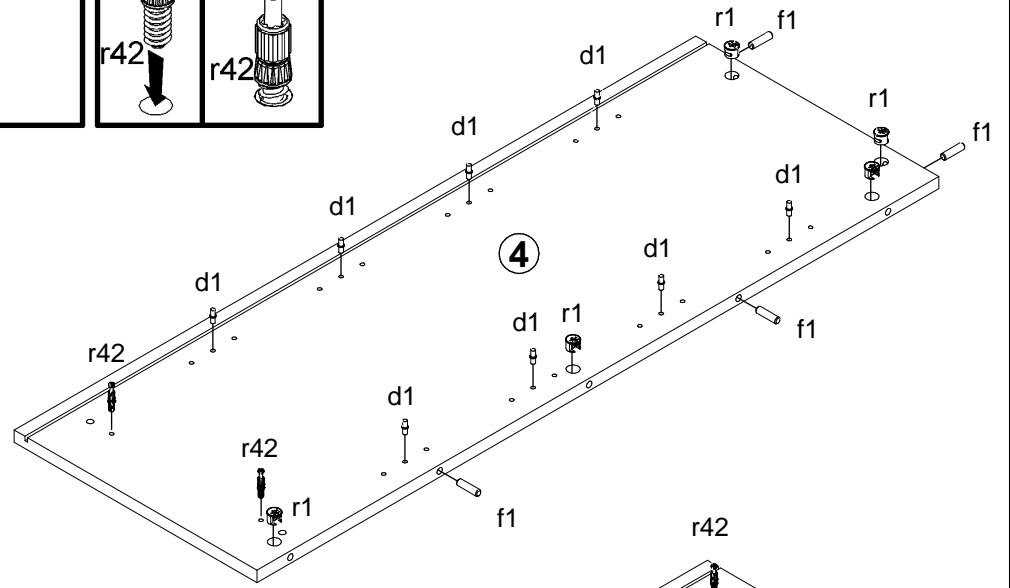
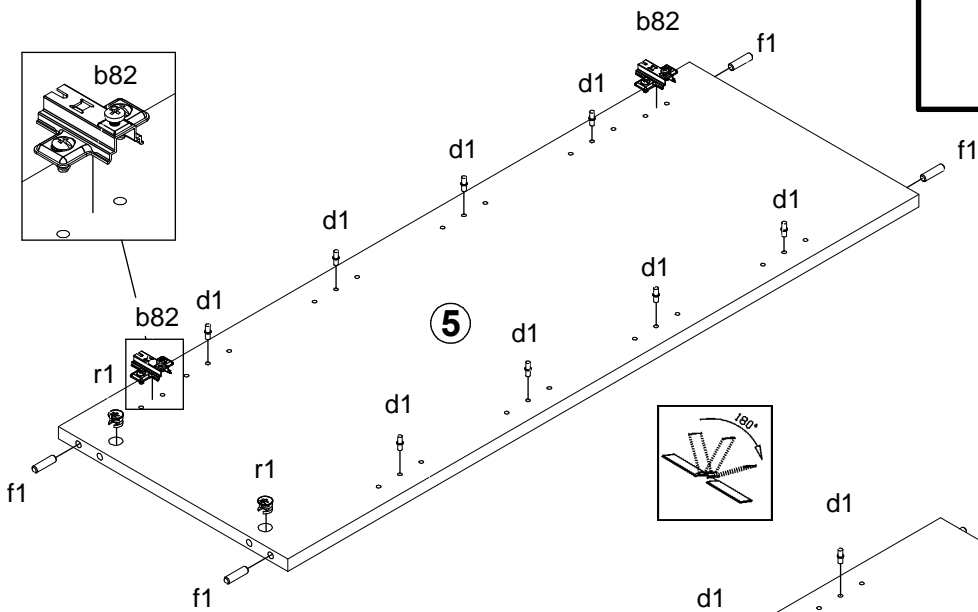
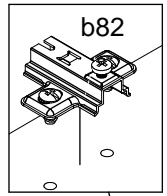
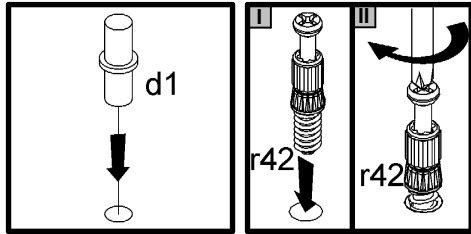


A	B	C (mm)		D
1	M222-0003	956	414,	2/2
2	M222-0004	956	316	2/2
3	M222-1004	1022	364	1/2
4	M222-1005	1022	364	1/2
5	M222-1006	946	344	1/2
6	M222-2002	1317	400	1/2
7	M222-3007	473	334	2/2
8	M222-3010	1283	344	1/2
9	M222-3011	792	334	2/2
10	M222-5002	60	80	2/2
11	M222-5008	1022	80	2/2
12	M222-5009	1022	80	2/2
13	M222-9301	965	807	1/2
14	M222-9302	965	487	1/2

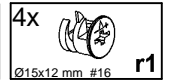
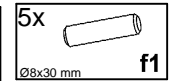
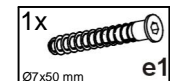
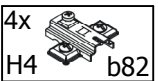
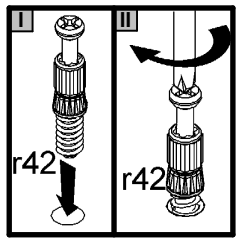
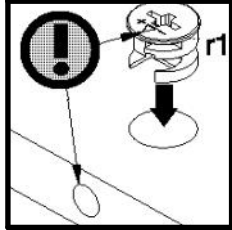
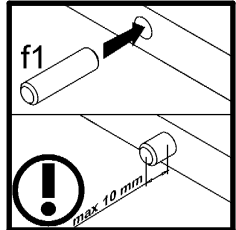
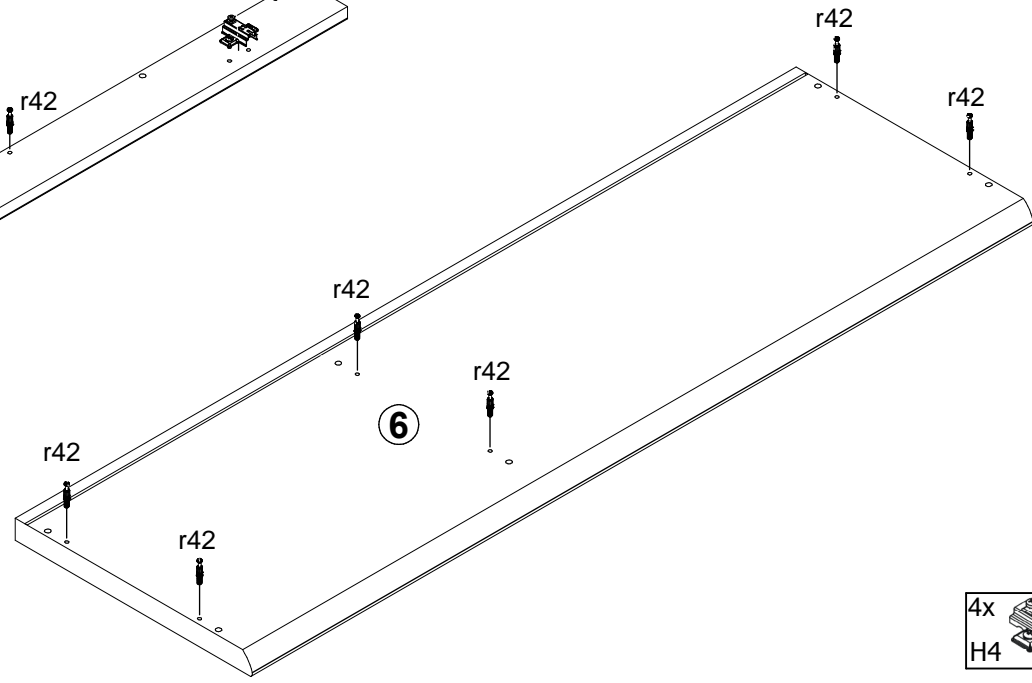
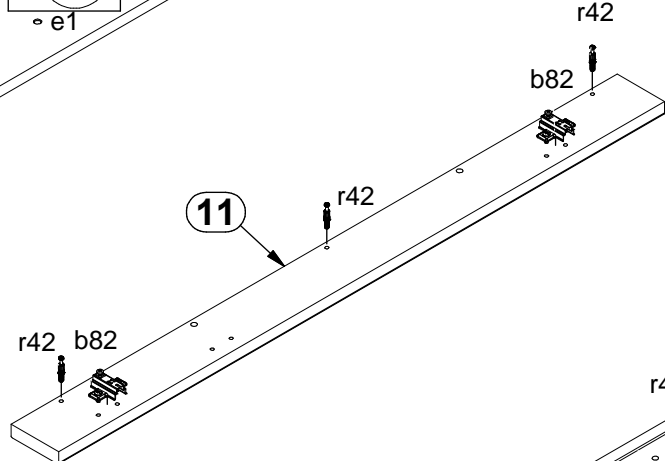
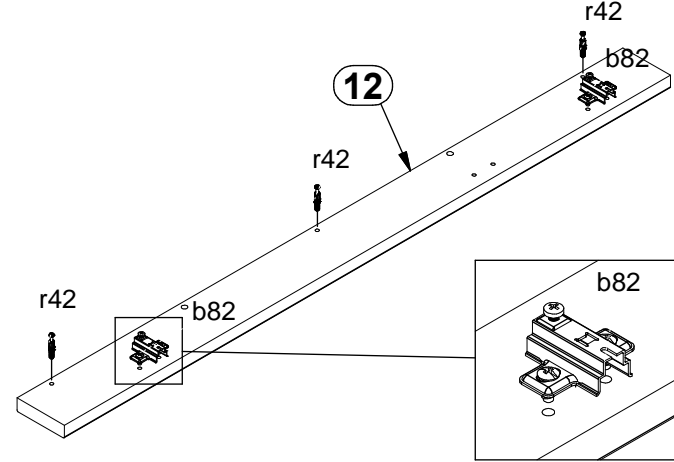
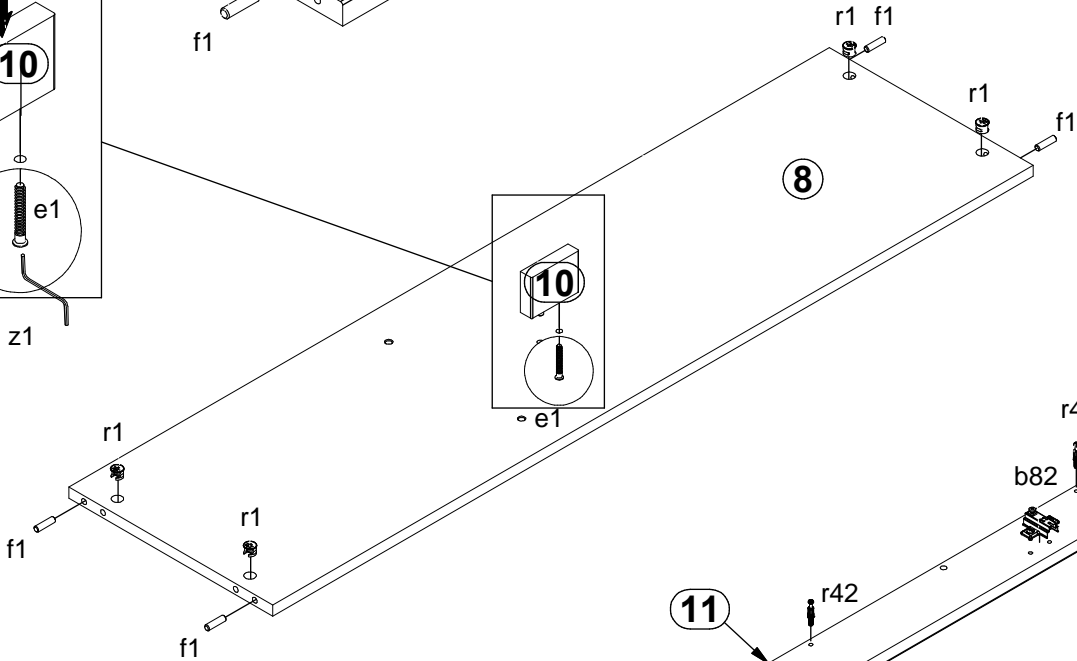
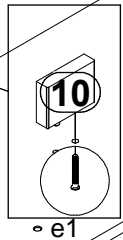
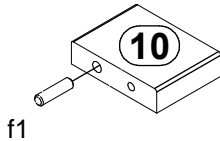
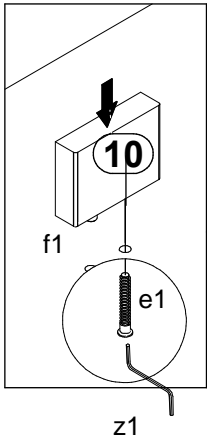




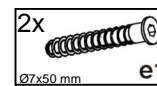
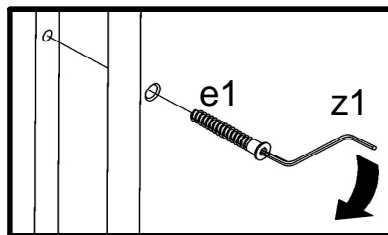
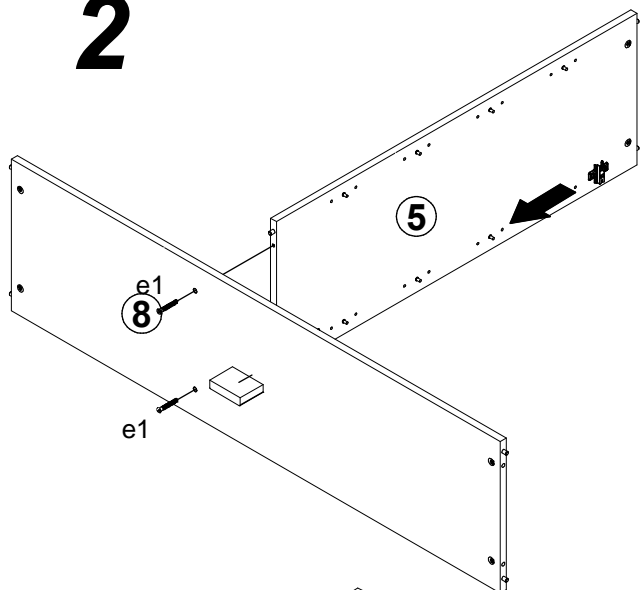
- 12x f1 $\varnothing 8 \times 30$ mm
- 12x r1 $\varnothing 15 \times 12$ mm #16
- 4x r42 20/11
- 32x d1 $\varnothing 5 \times 17$ mm
- 2x b82 H4



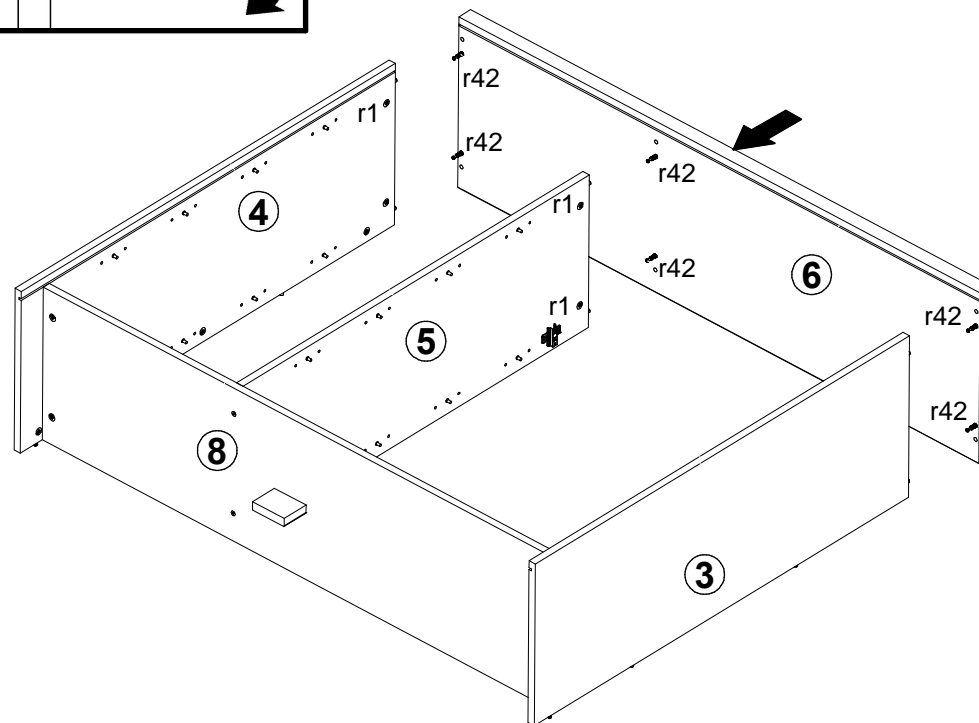
1



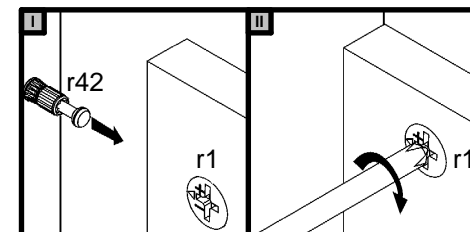
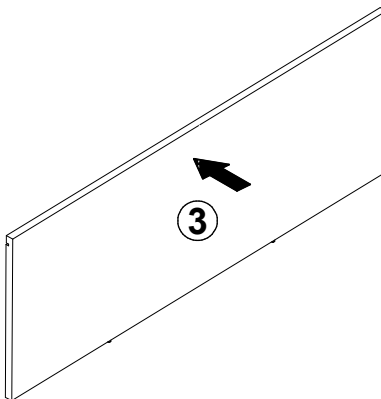
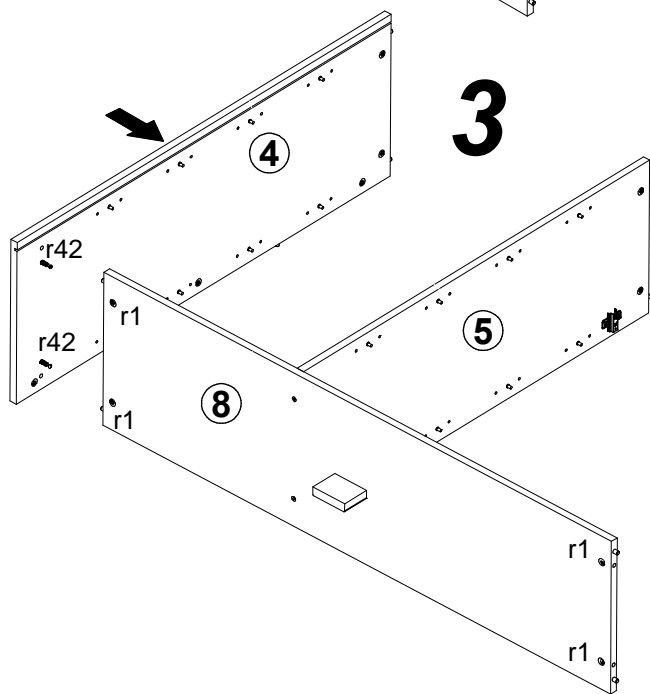
2

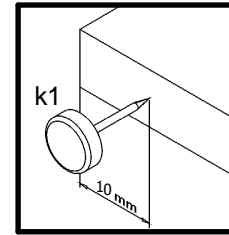
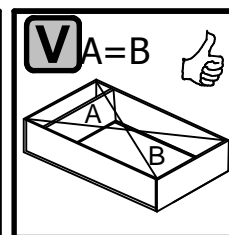
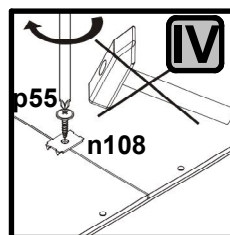
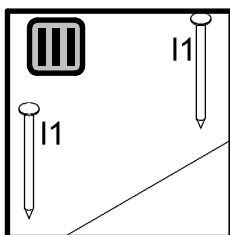
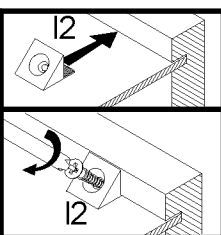
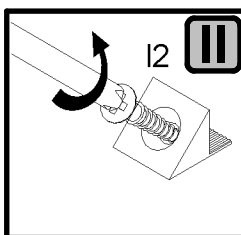
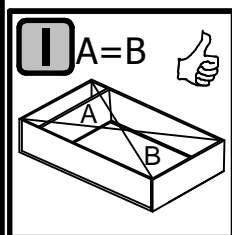
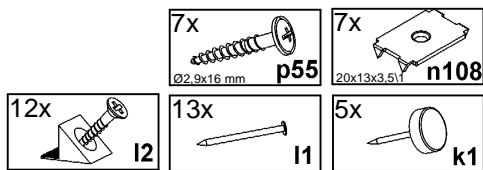
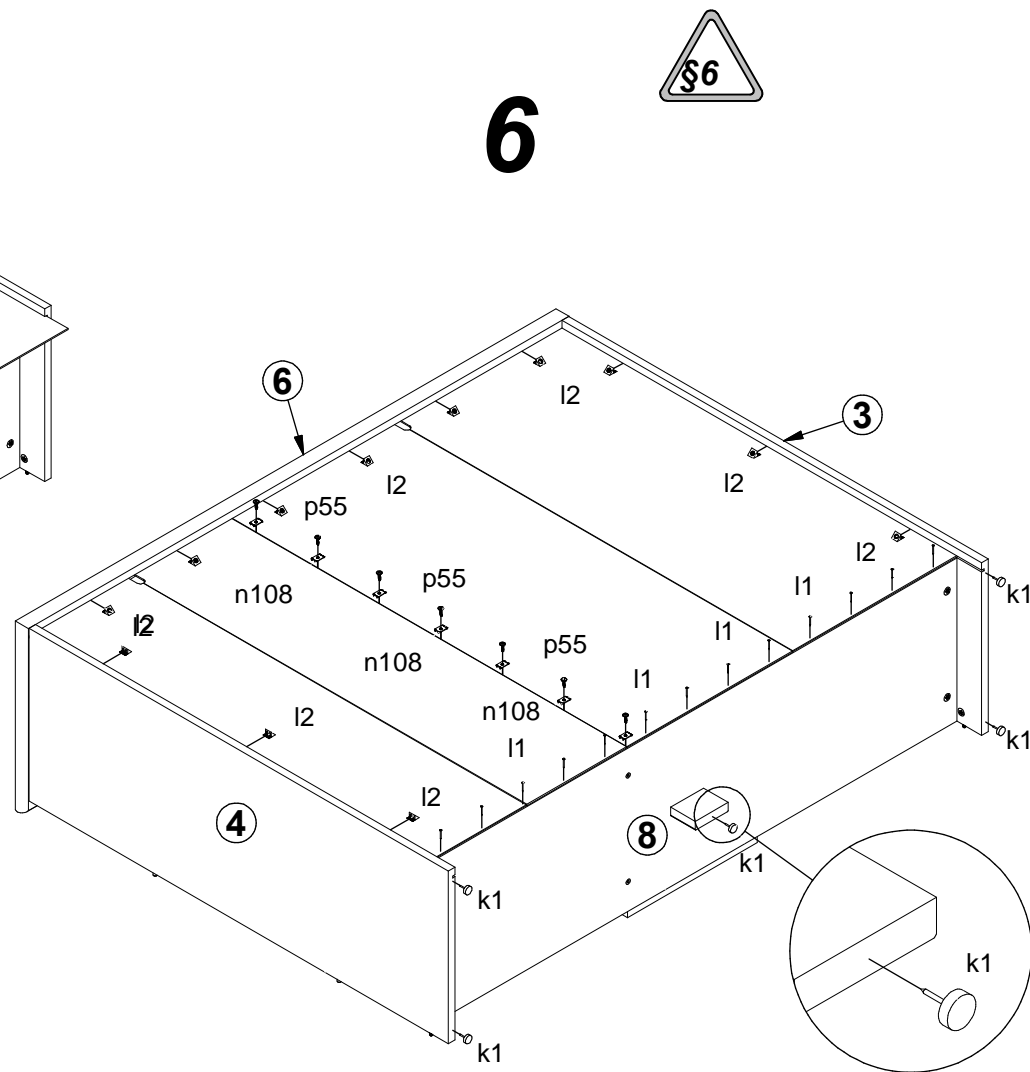
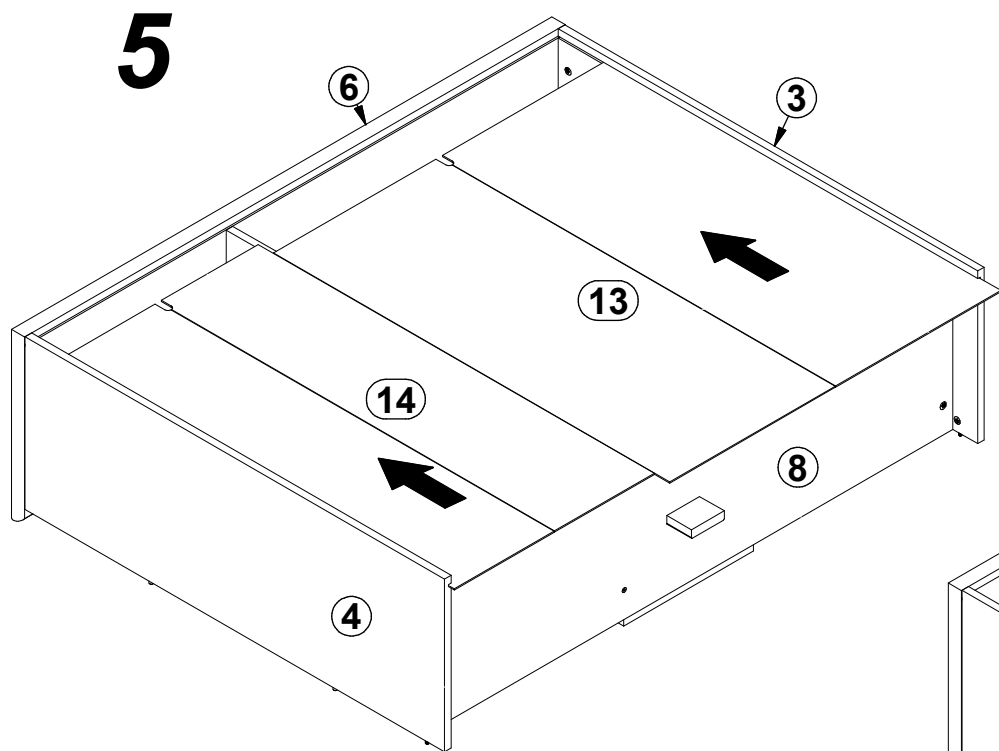


4

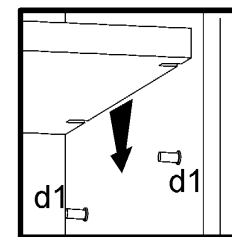
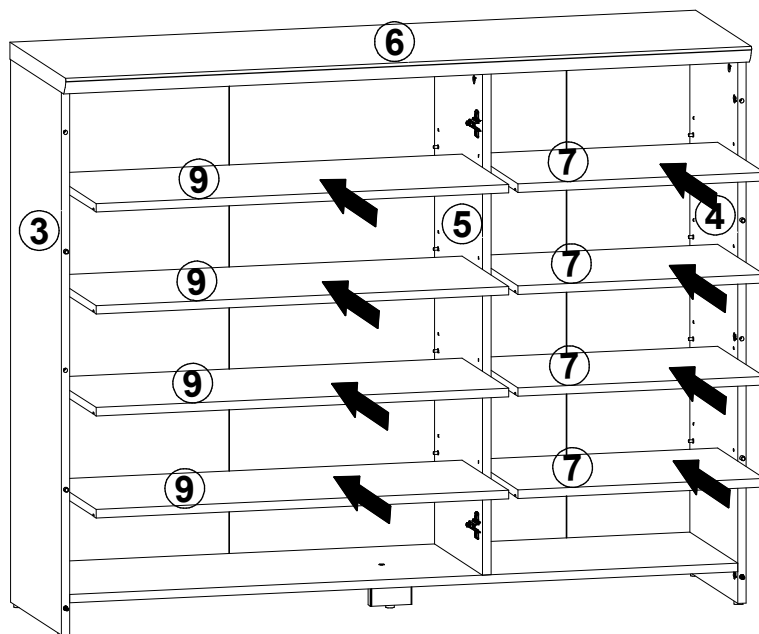


3

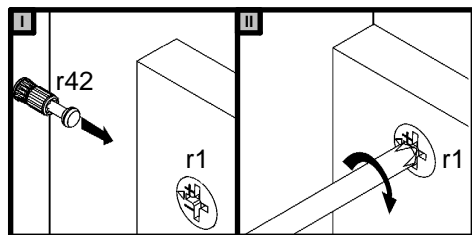
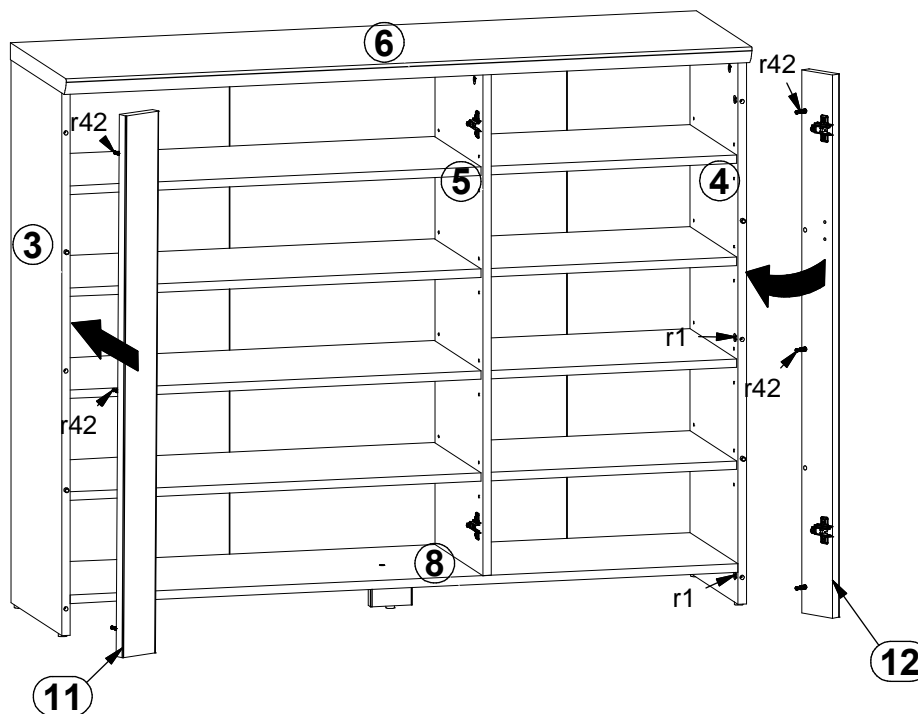




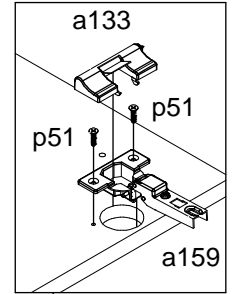
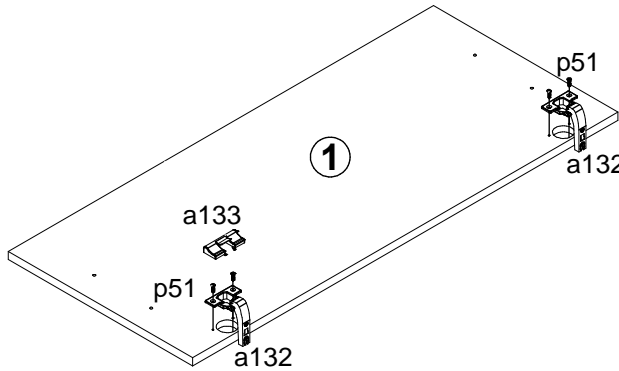
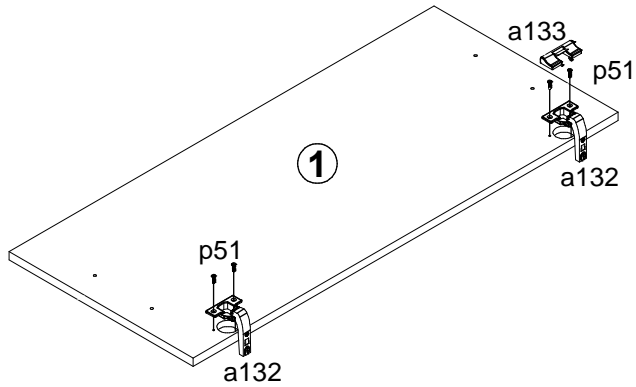
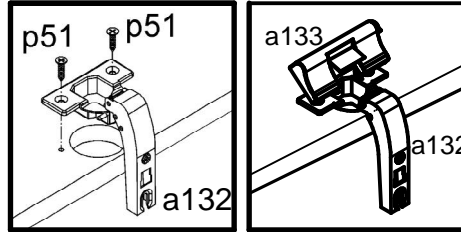
7



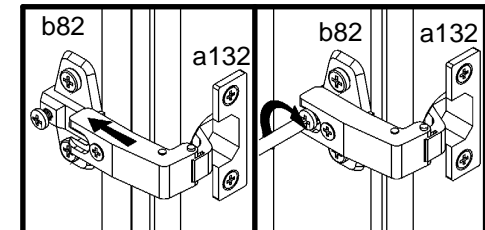
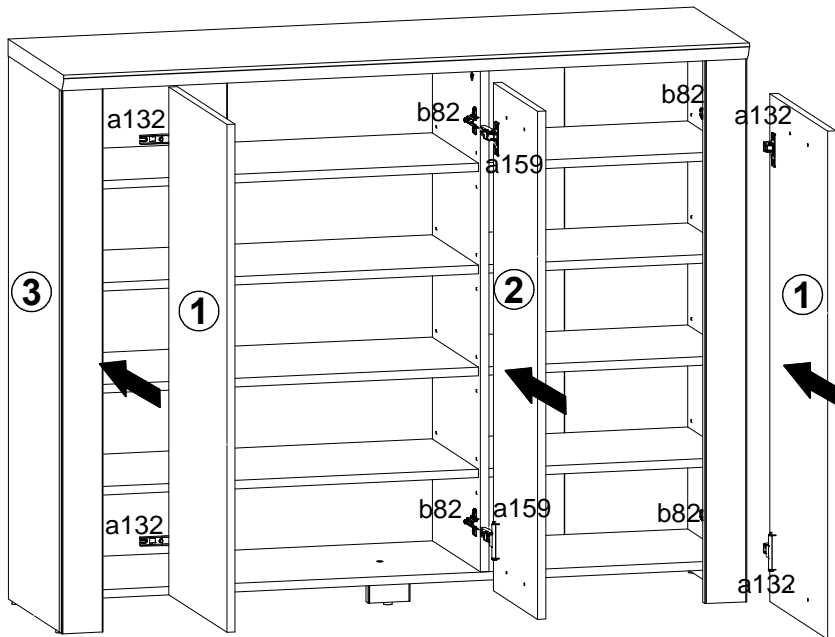
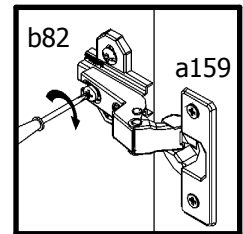
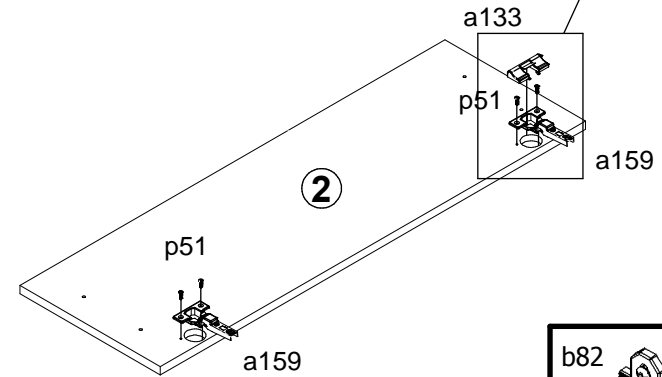
8

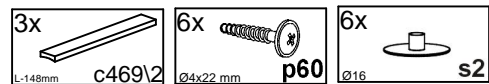


9

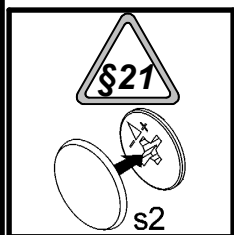
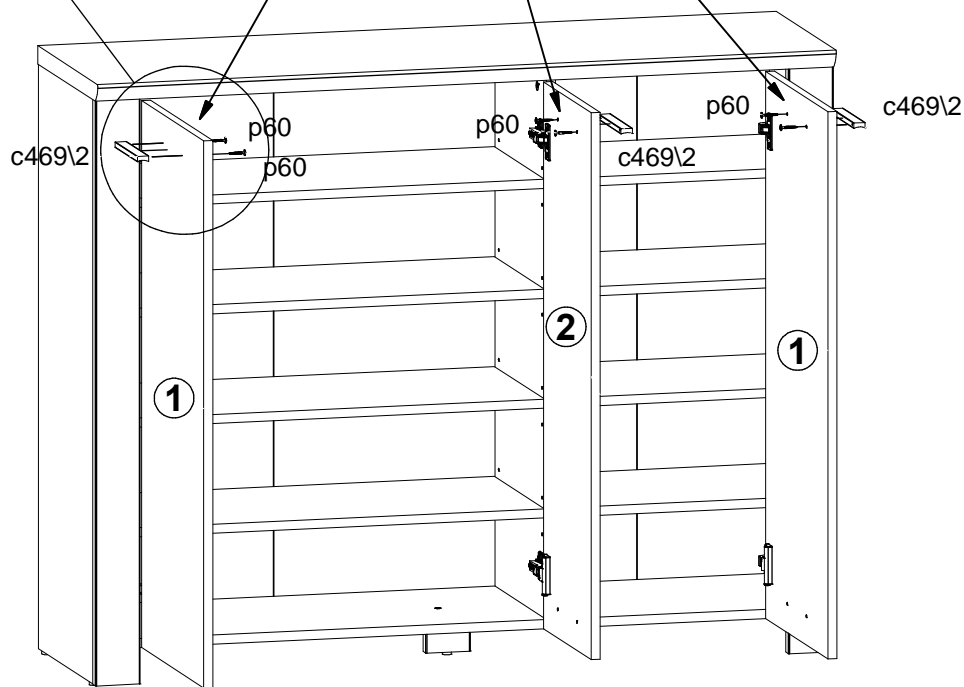
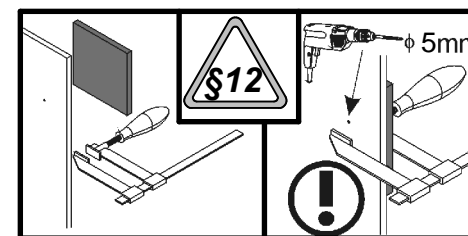
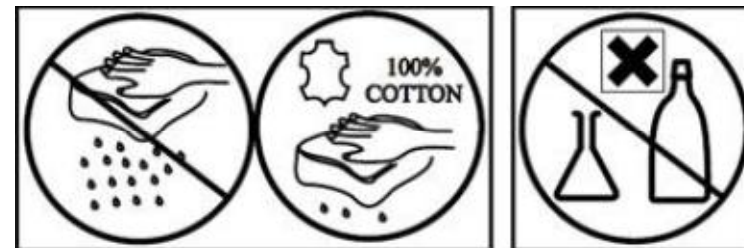
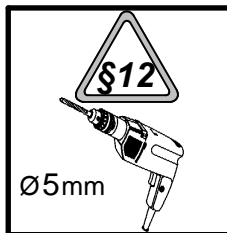
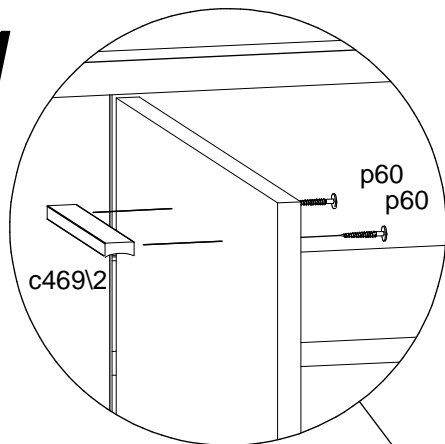


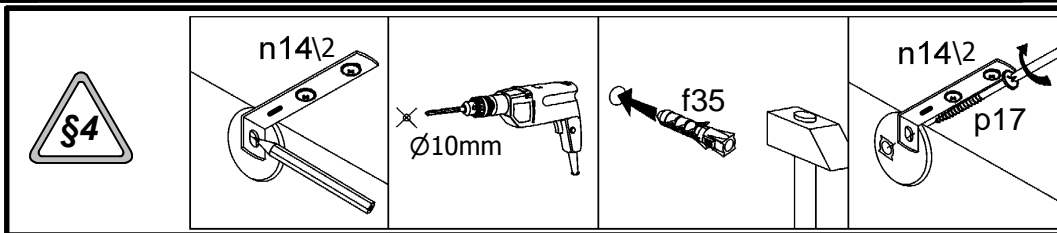
10





11





12

