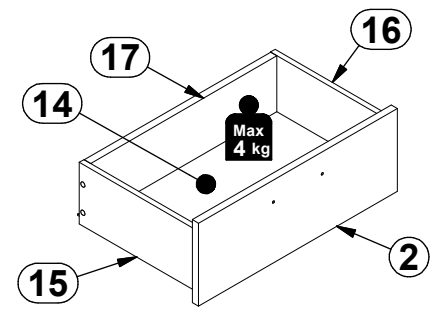


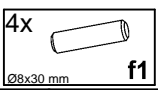
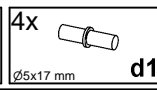
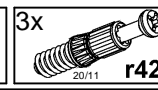
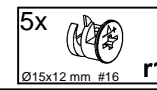
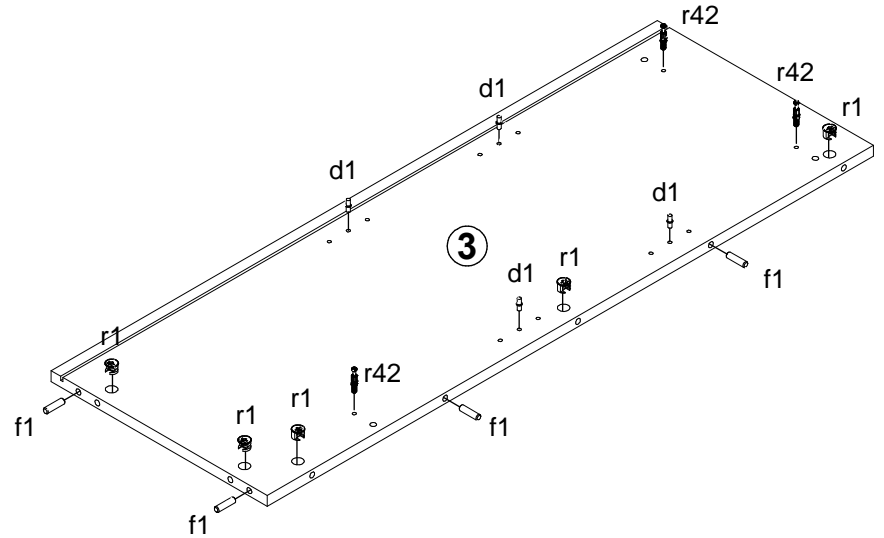
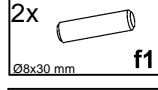
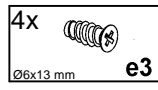
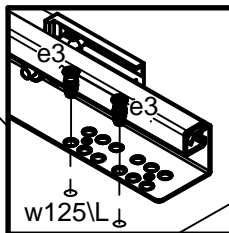
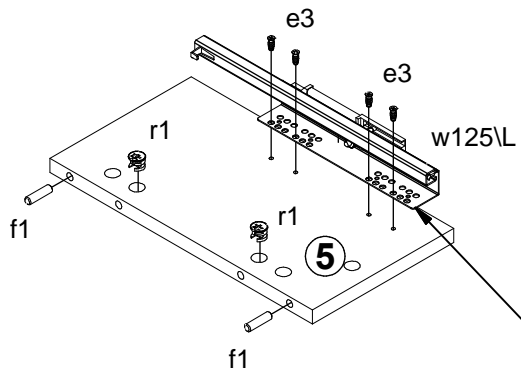
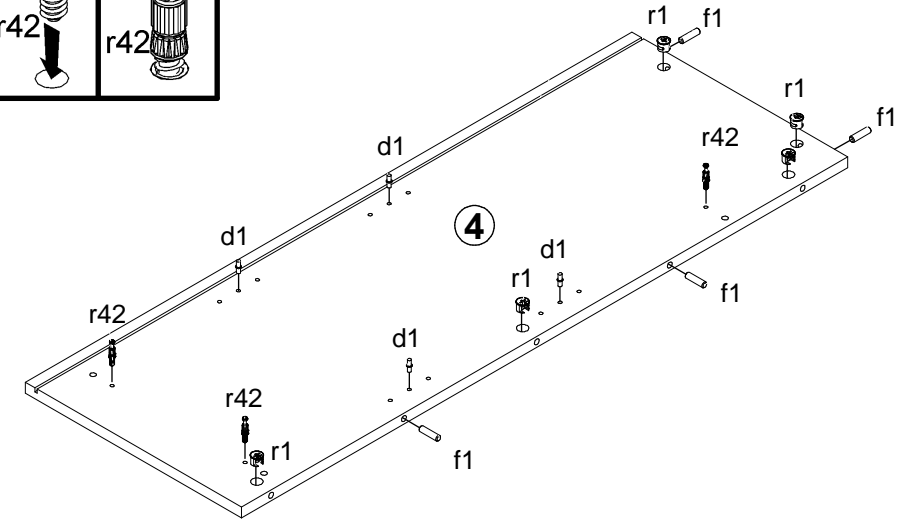
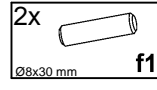
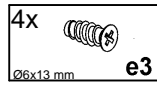
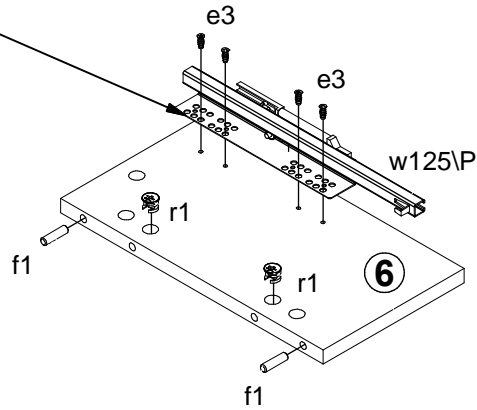
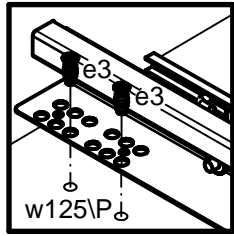
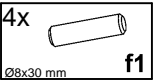
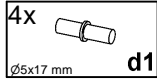
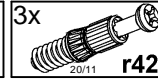
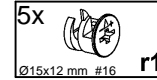
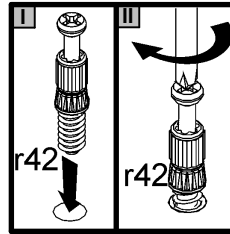
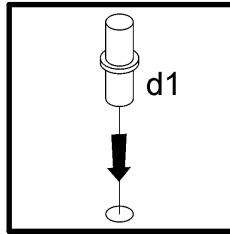
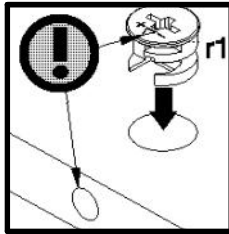
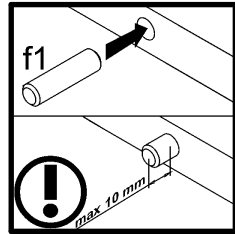
A	B	C (mm)		D
1	M222-0006	764	521	2/2
2	M222-0007	188	521	2/2
3	M222-1008	1022	364	1/2
4	M222-1009	1022	364	1/2
5	M222-1010	185	344,	1/2
6	M222-1011	185	344,	1/2
7	M222-2004	688	400	2/2
8	M222-3013	654	344	1/2
9	M222-3014	653	334	1/2
10	M222-4001	654	60	2/2
11	M222-5008	1022,	80	1/2
12	M222-5009	1022,	80	1/2
13	M222-9303	965	665	1/2
14	WSP-9205	498	308	2/2
15	WSQ4-503	300	140	2/2
16	WSQ4-504	300	140	2/2
17	WTQ-5282	488	127	2/2

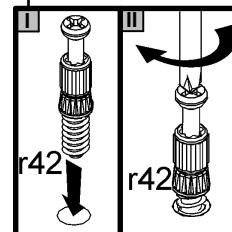
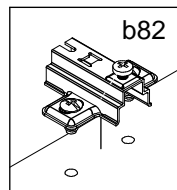
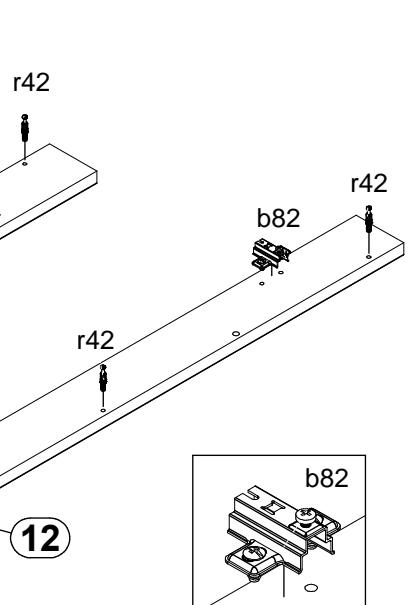
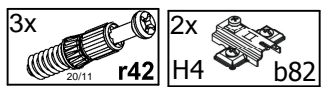
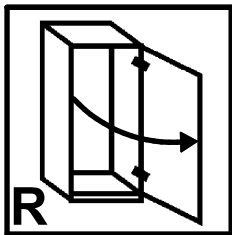
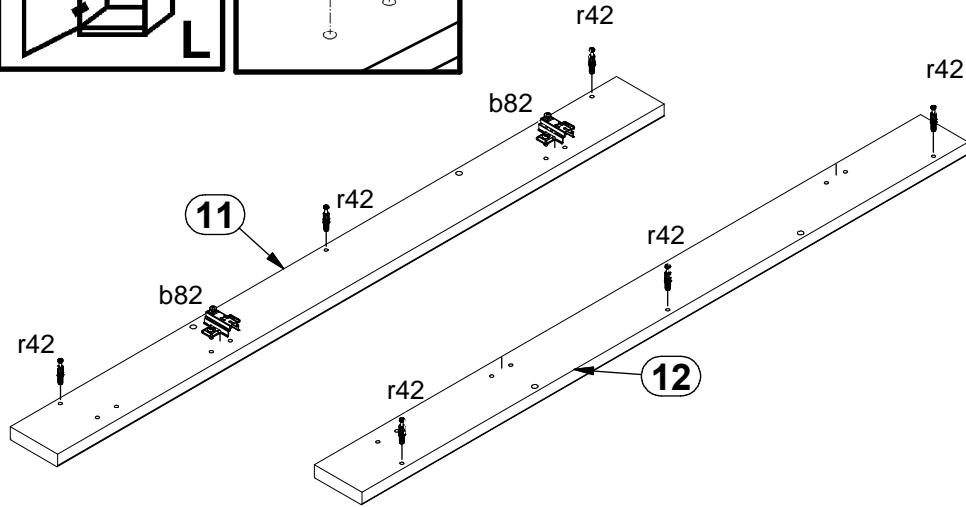
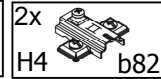
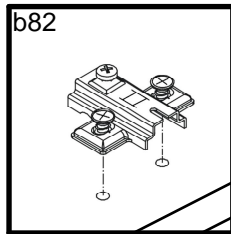
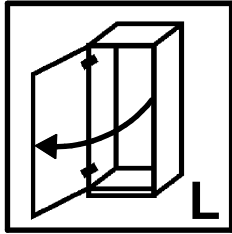


2x a132	1x a133	2x H4 b82	2x L-148mm c469/2	8x Ø5x17 mm d1	2x Ø7x50 mm e1	8x Ø6x13 mm e3	18x Ø8x30 mm f1	4x Ø6.5x40 mm f25	4x k1	6x l1	10x l2	1x Ø3.5x16 mm p25
1x Ø3.5x10 mm p35	4x Ø3.5x16 mm p38	4x Ø3.5x15 mm p51	2x Ø2.9x16 mm p55	4x Ø4x22 mm p60	20x Ø15x12 mm #16 r1	4x Ø12x10.5 mm #12 r15	24x 20/11 r42	1x 300 mm t25	1x 300mm w125/L	1x 300mm w125/P	1x z1	

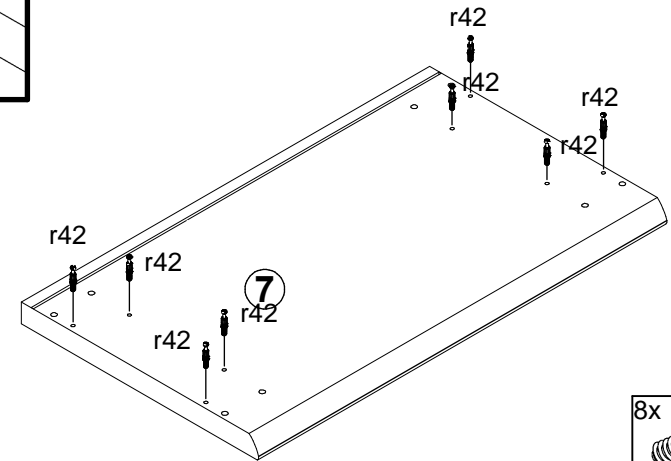
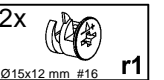
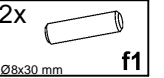
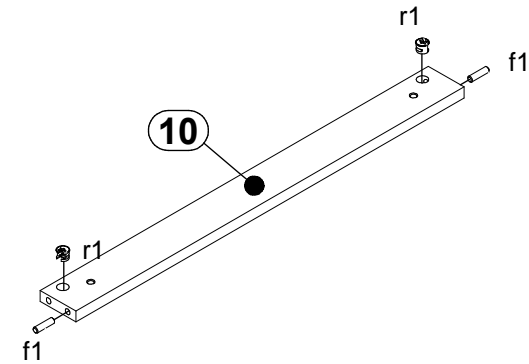
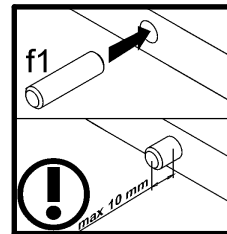
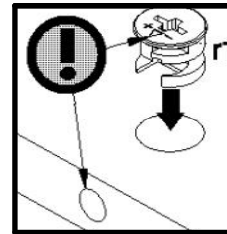
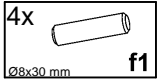
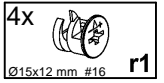
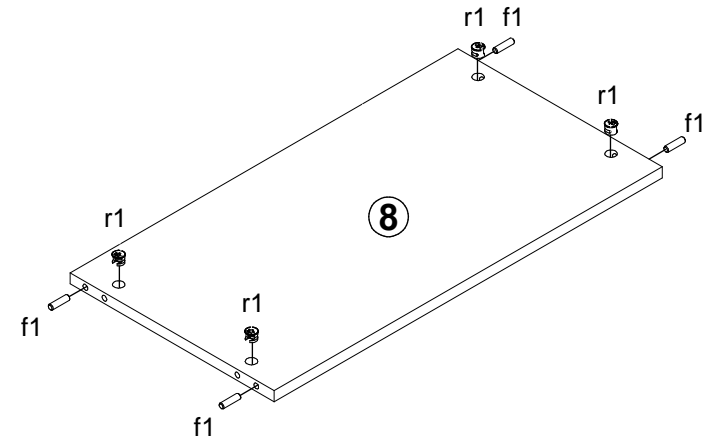


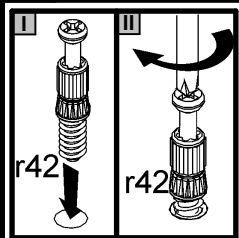
1x Ø10x50 mm f35	1x 88x21x15/1.5 n14/2	1x Ø5x60 mm p17	2x Ø3.5x16 mm p38
------------------------	-----------------------------	-----------------------	-------------------------



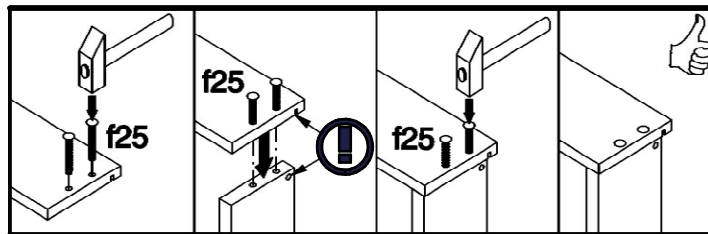


1



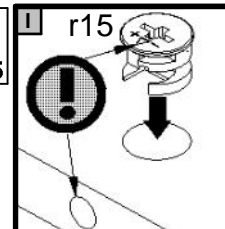


2



4x

 Ø12x10,5 mm #12 r15

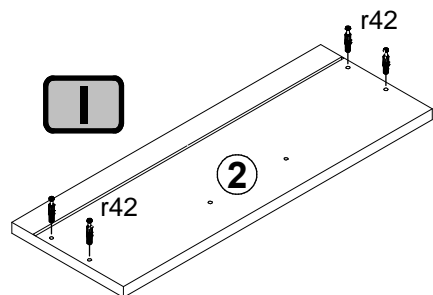


4x

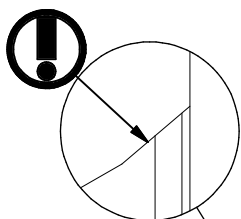
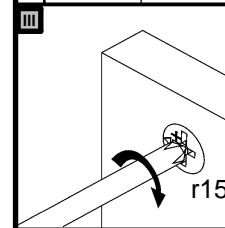
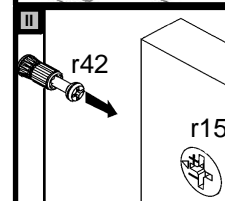
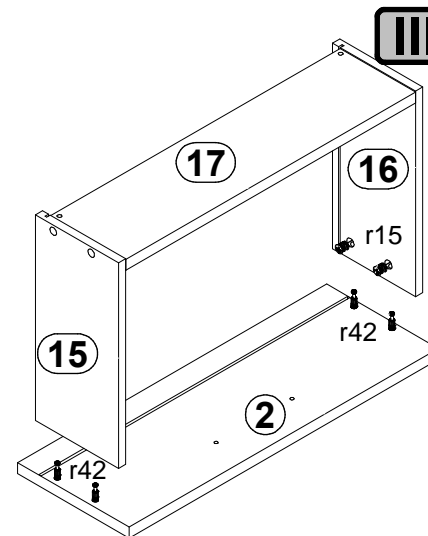
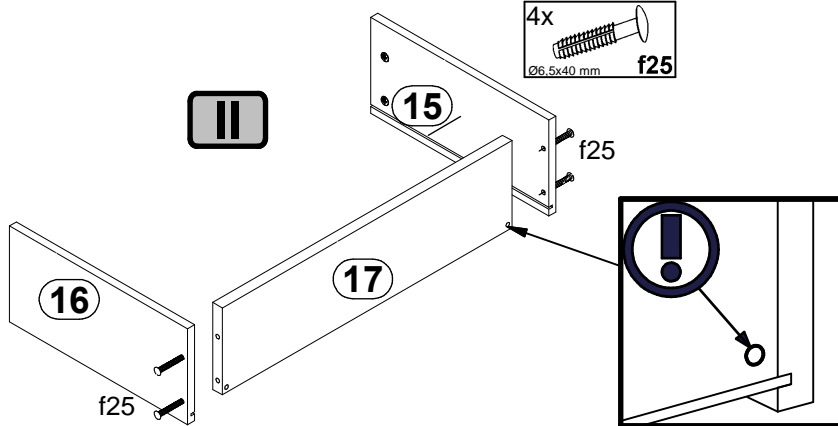
 r42

4x

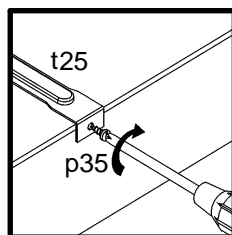
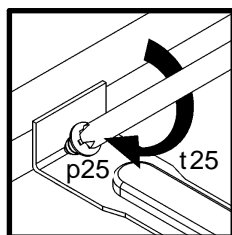
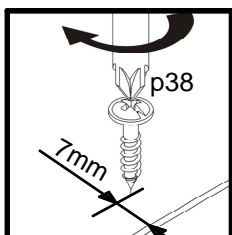
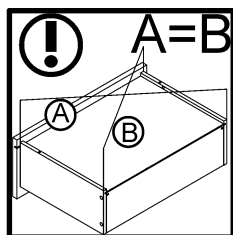
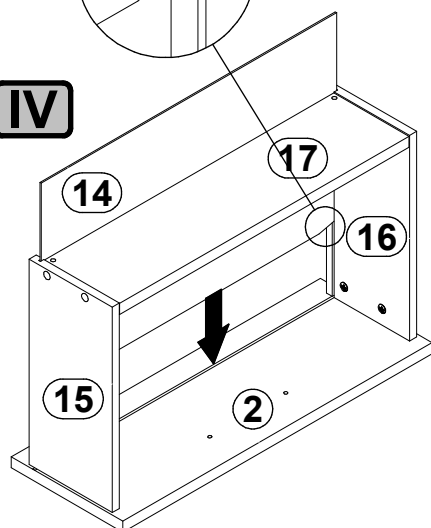
 Ø6,5x40 mm f25



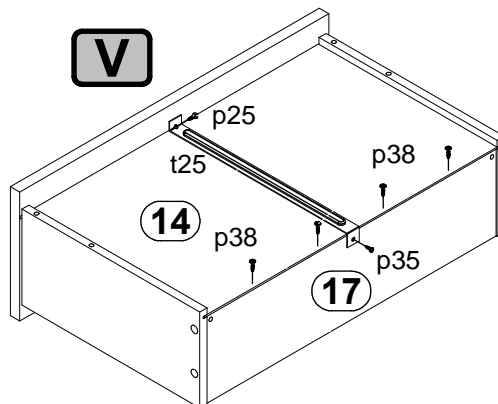
II



IV



V



4x

 Ø3,5x16 mm p38

1x

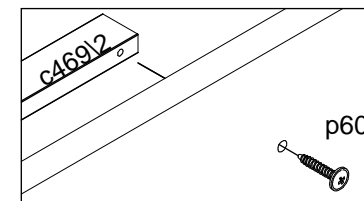
 300 mm t25

1x

 Ø3,5x16 mm p25

1x

 Ø3,5x10 mm p35



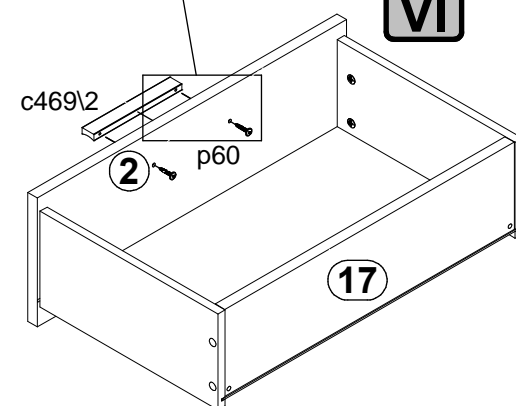
2x

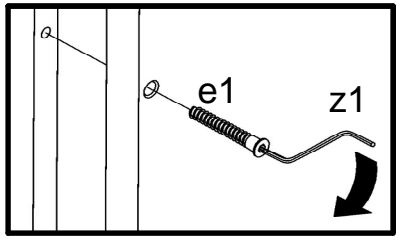
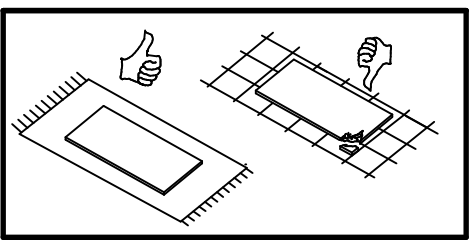
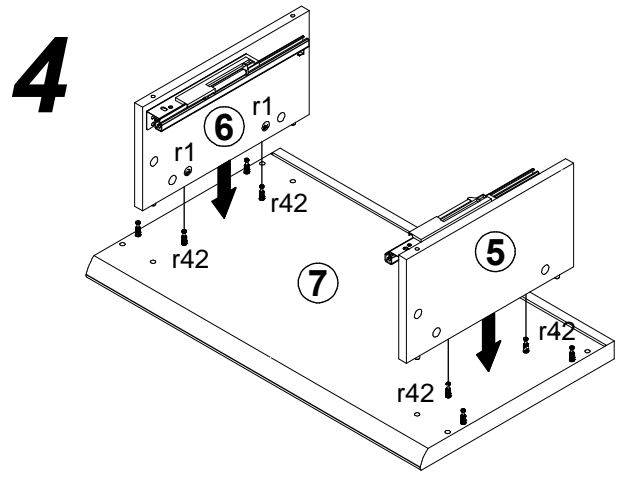
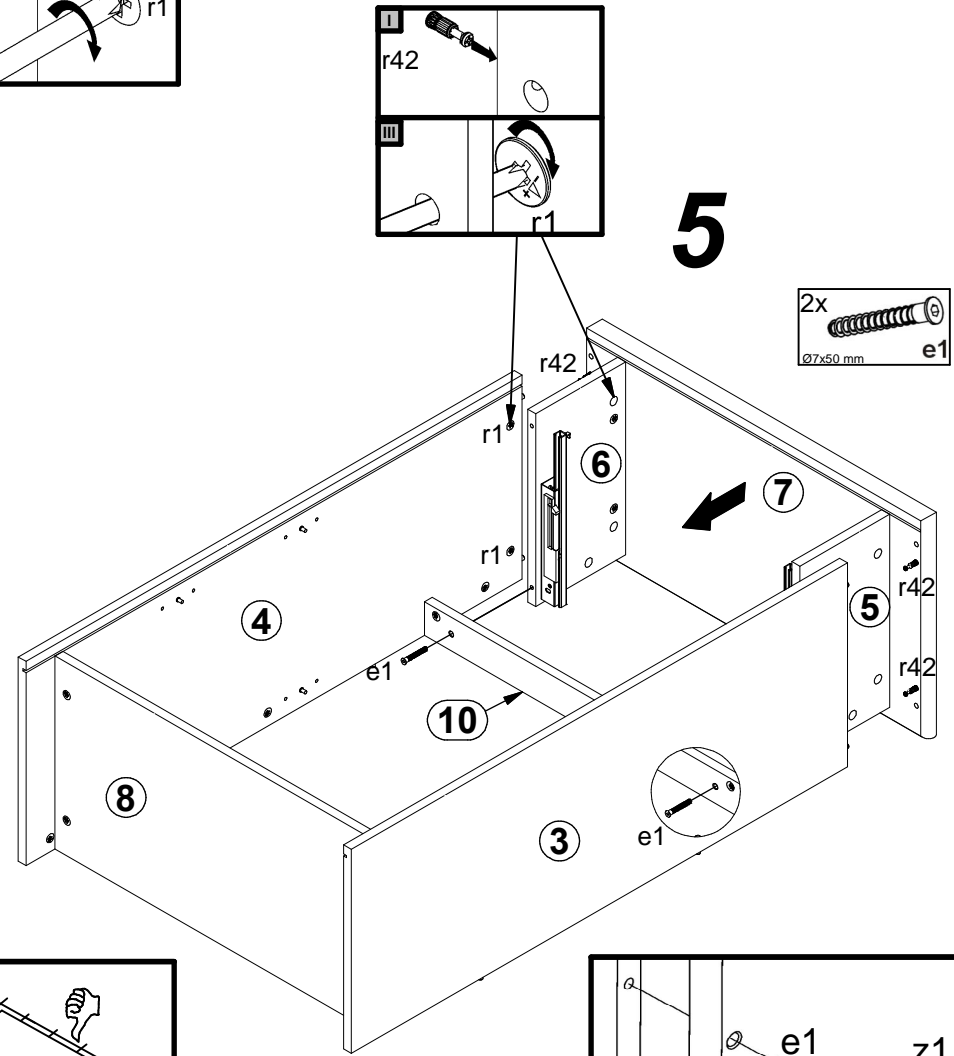
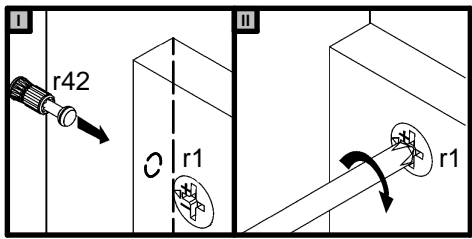
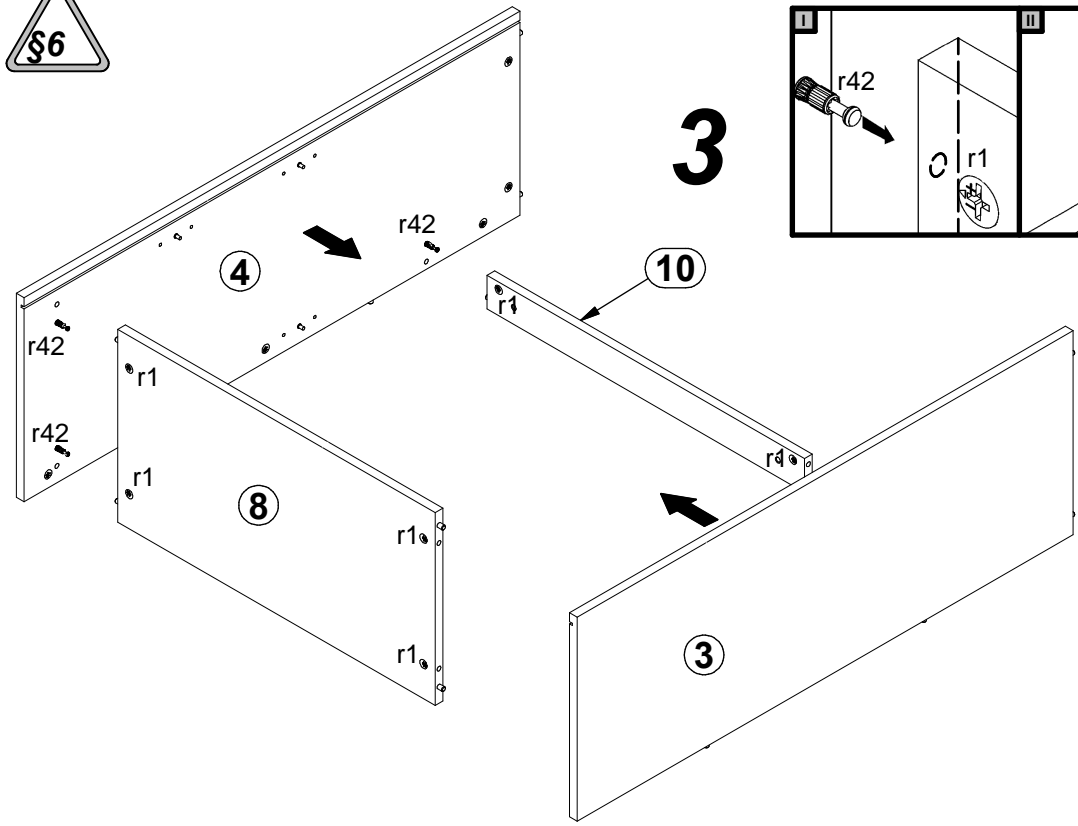
 Ø4x22 mm p60

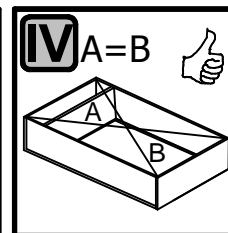
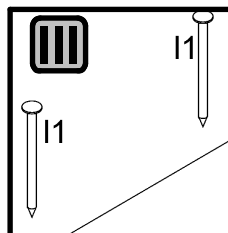
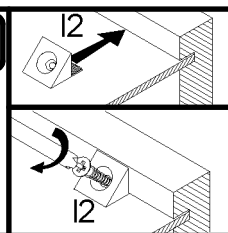
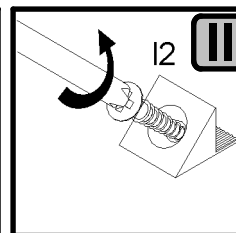
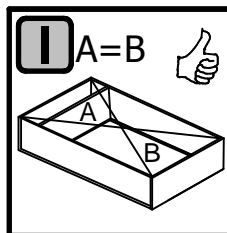
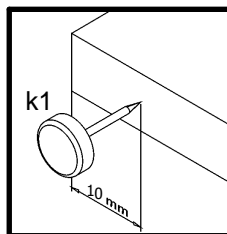
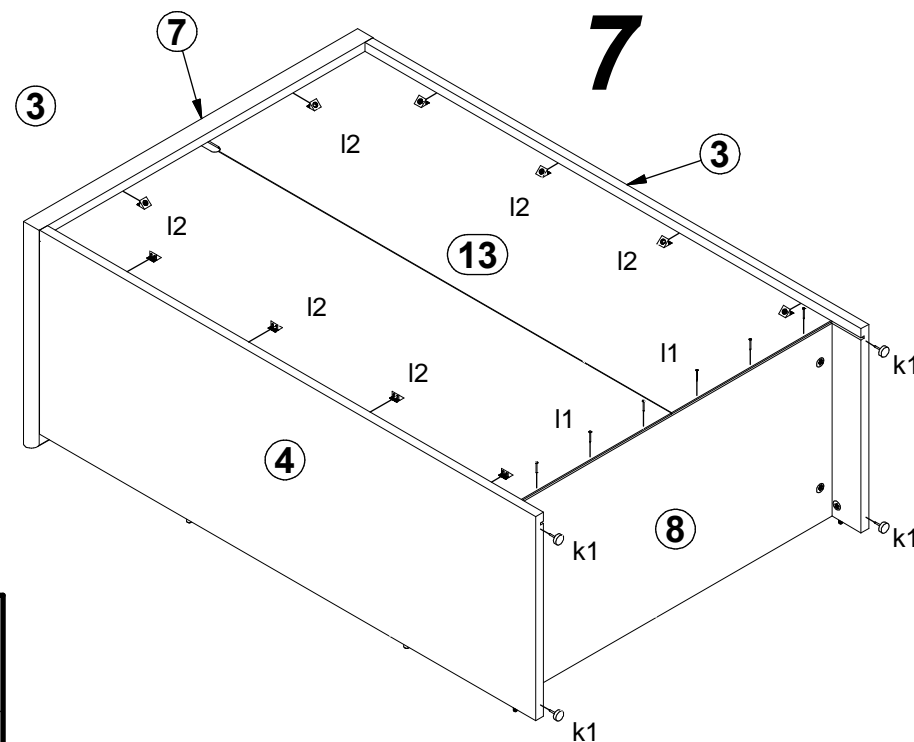
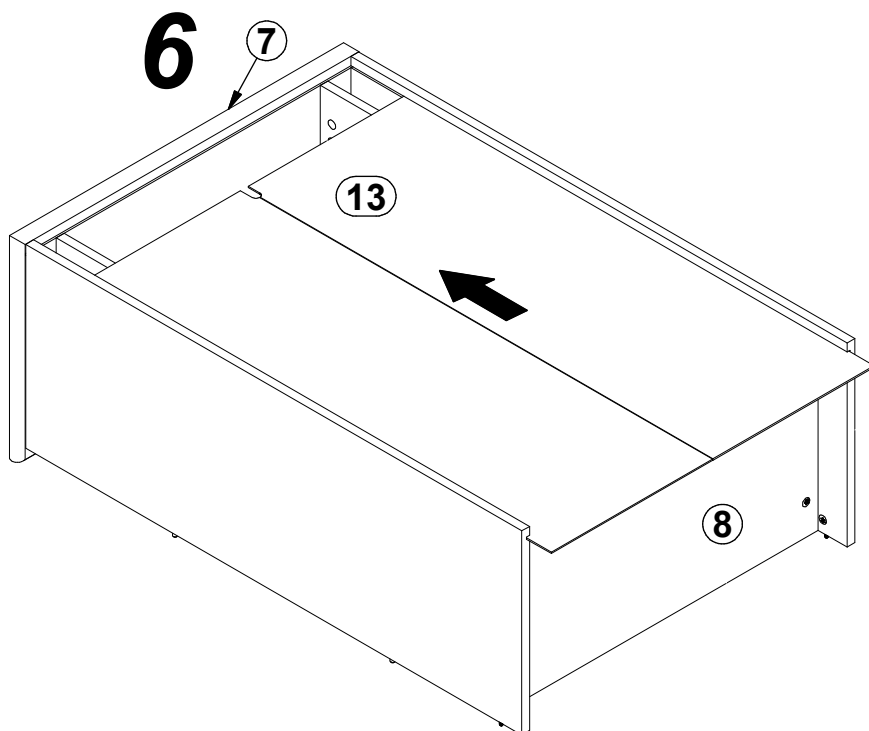
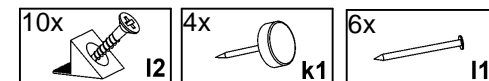
1x

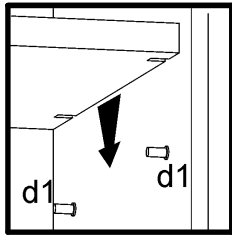
 L-148mm c469\2

VI

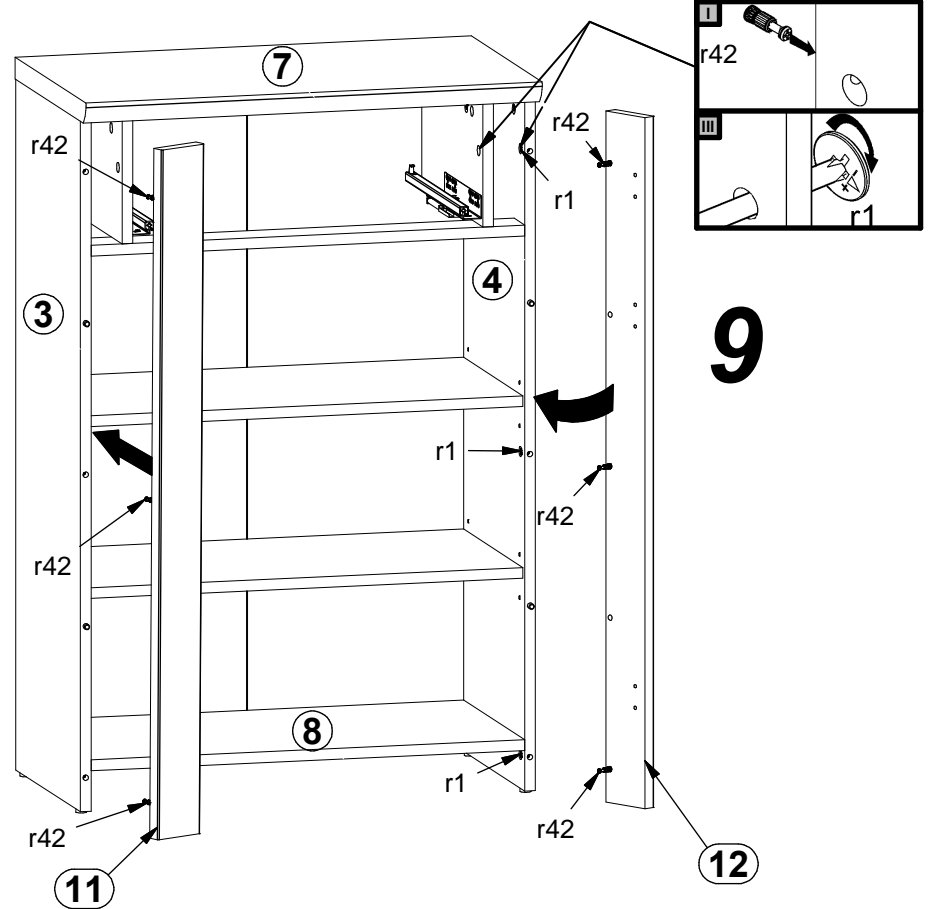
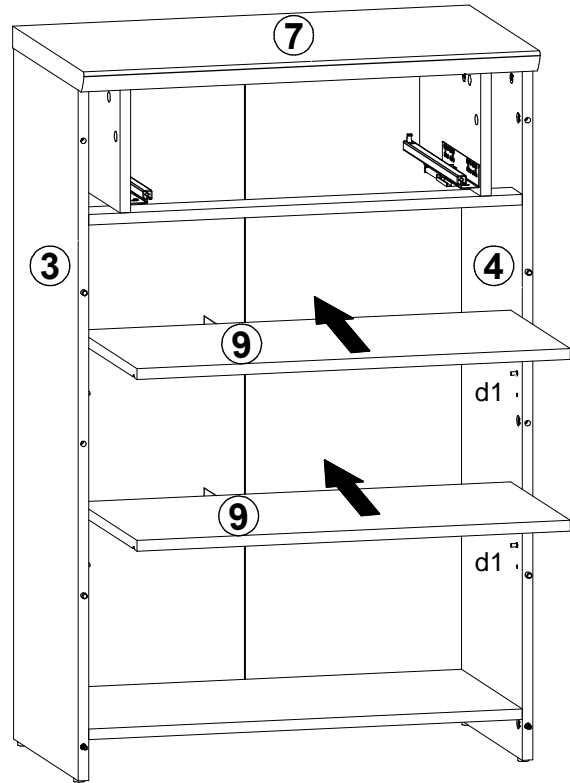
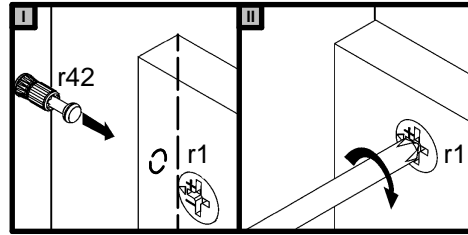






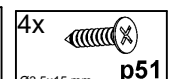
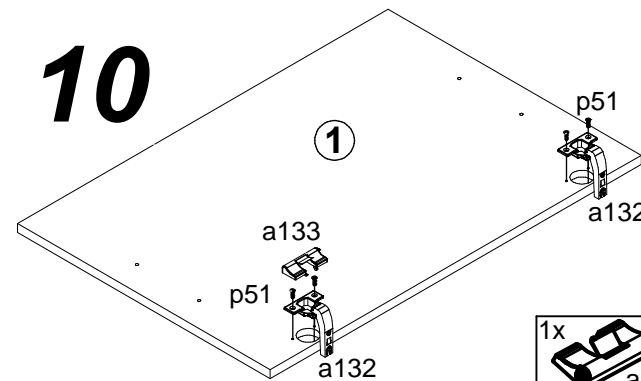
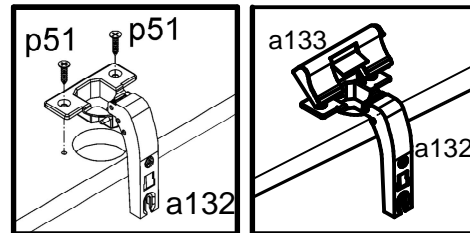


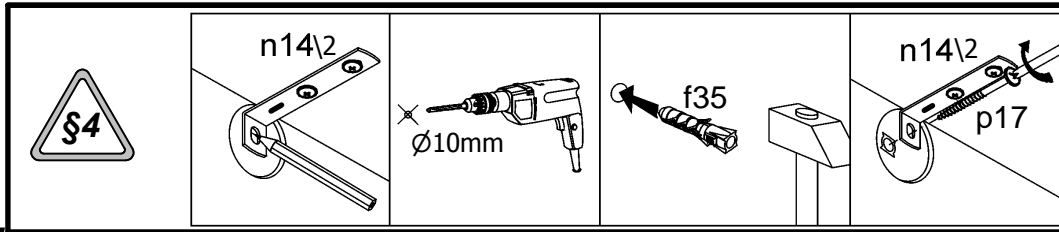
8



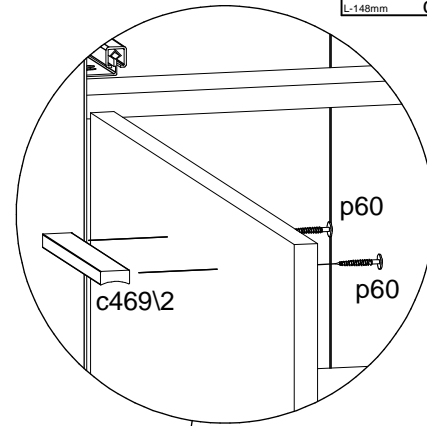
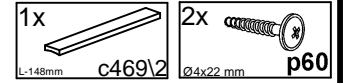
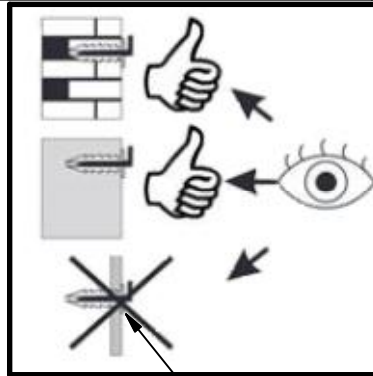
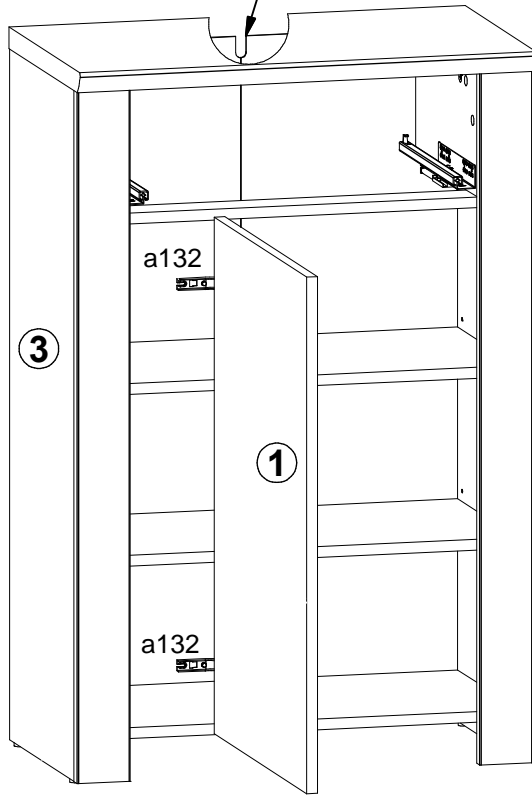
9

10

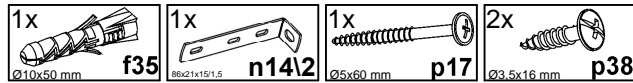
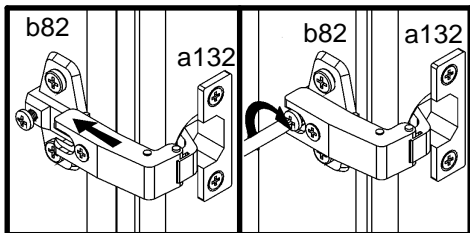
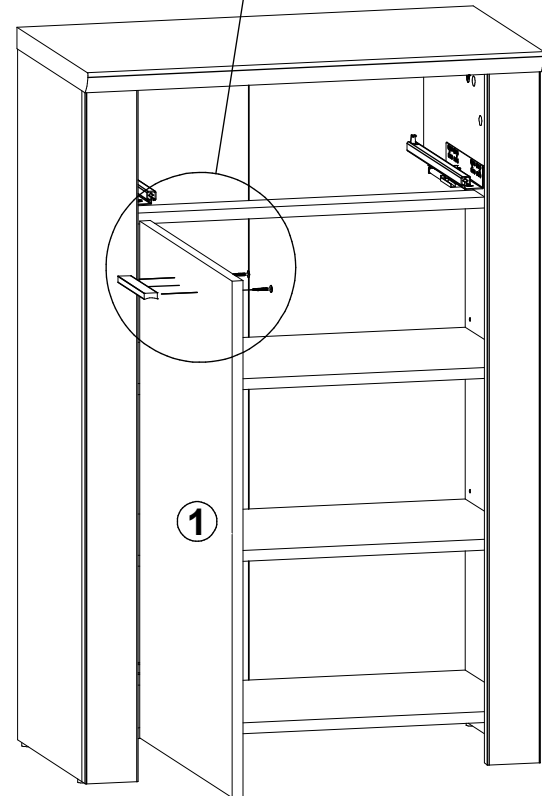


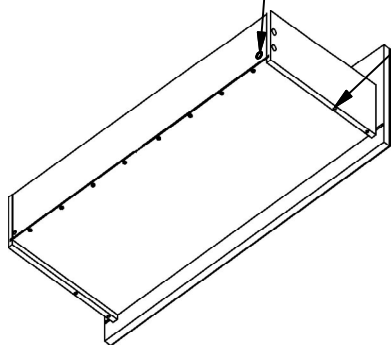
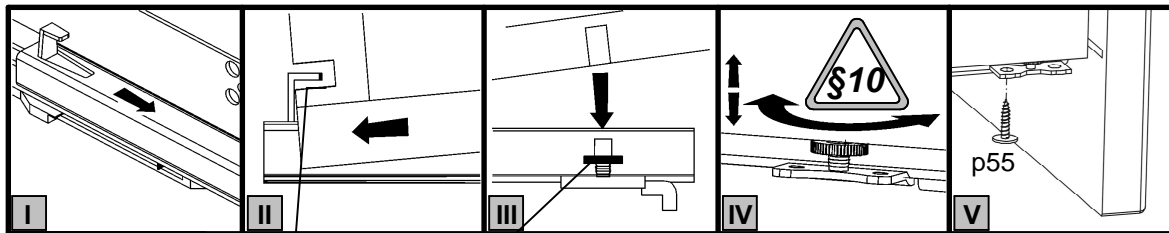


11



12





13

