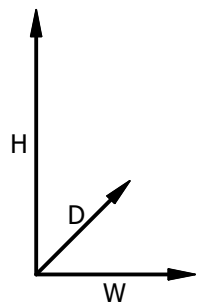
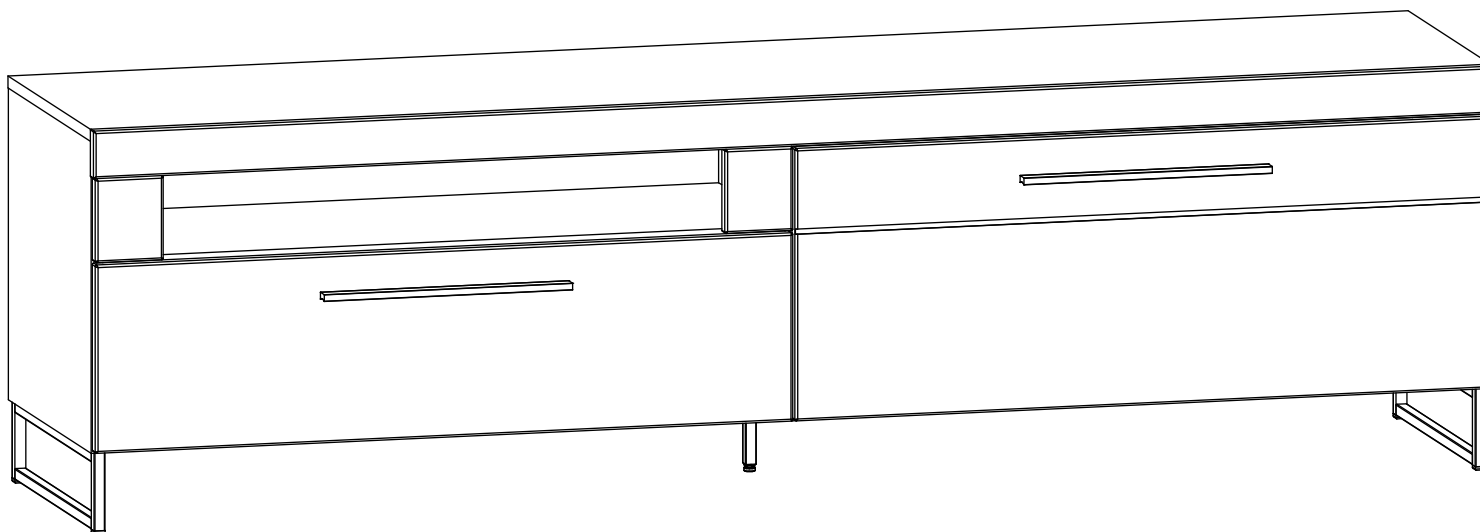
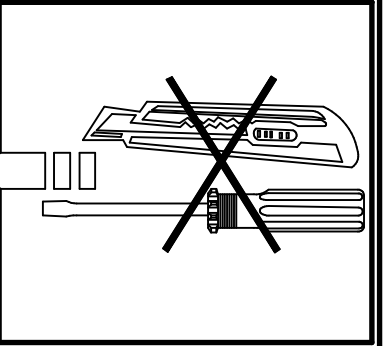
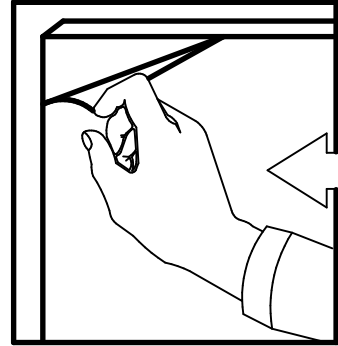
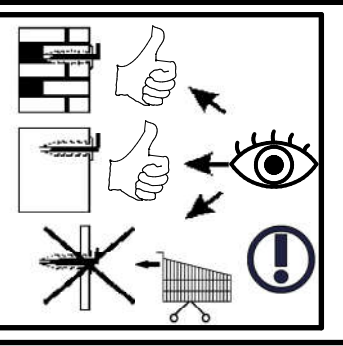
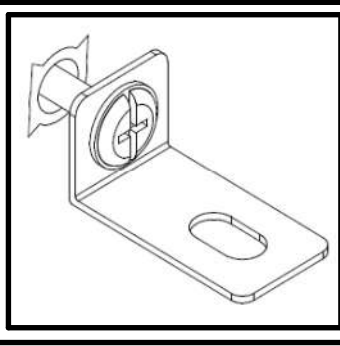
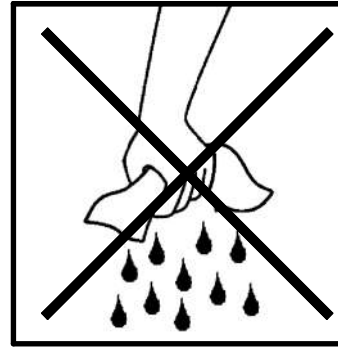
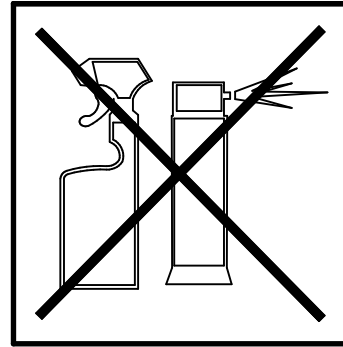
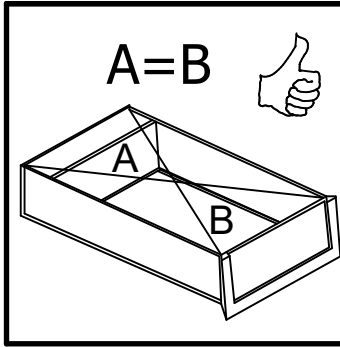
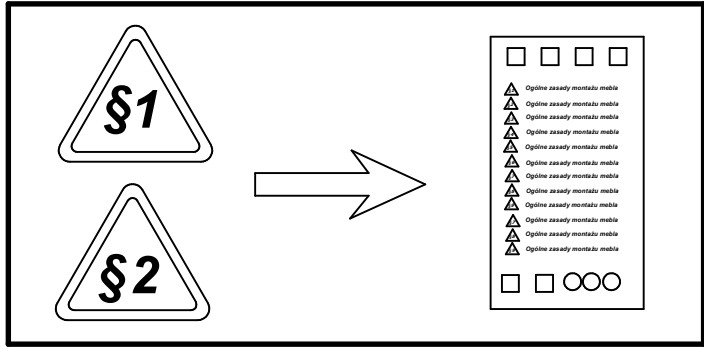
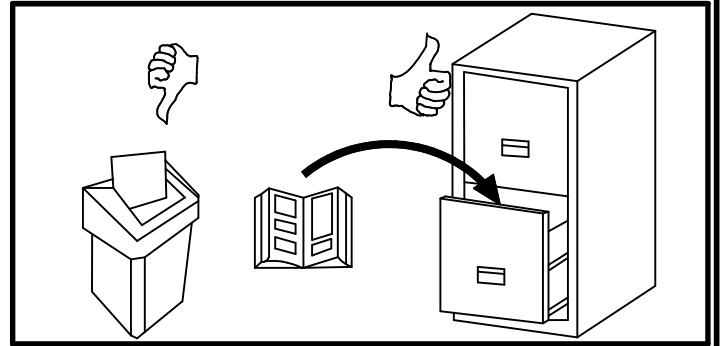
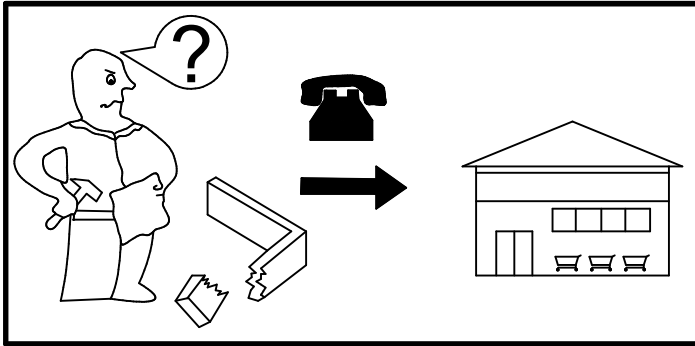
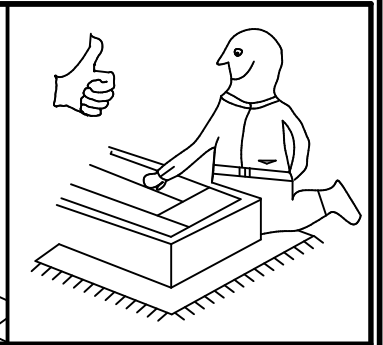
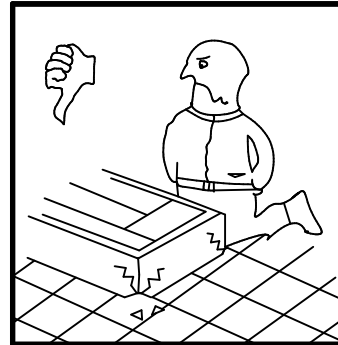
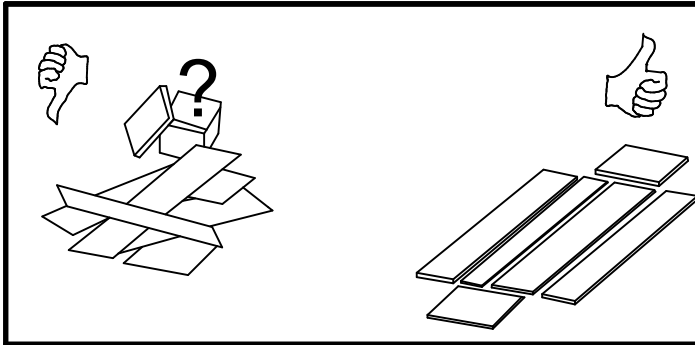
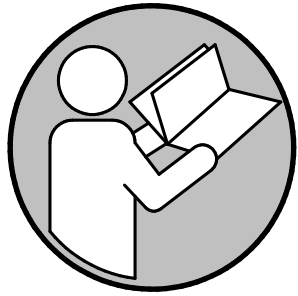


LOFT-TWO

S616-RTV1K1S

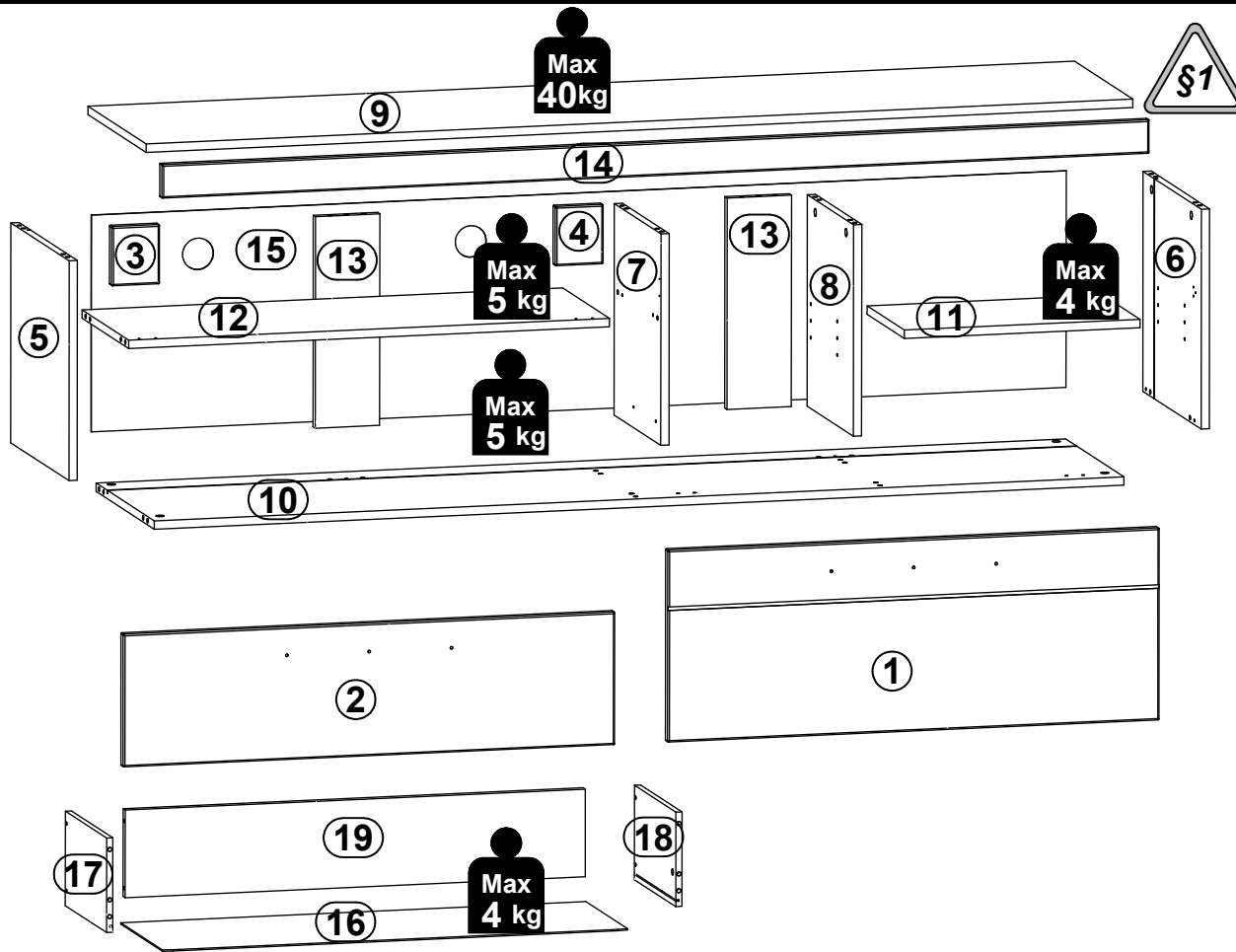


H - 545 mm
W - 1917 mm
D - 441 mm



∅ 10mm

120 min

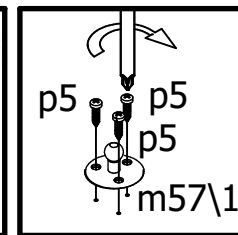
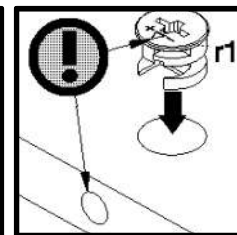
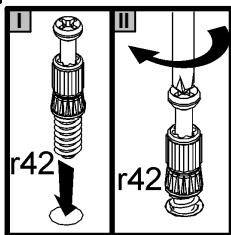
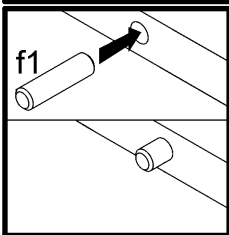
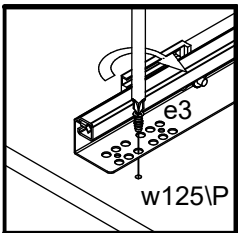
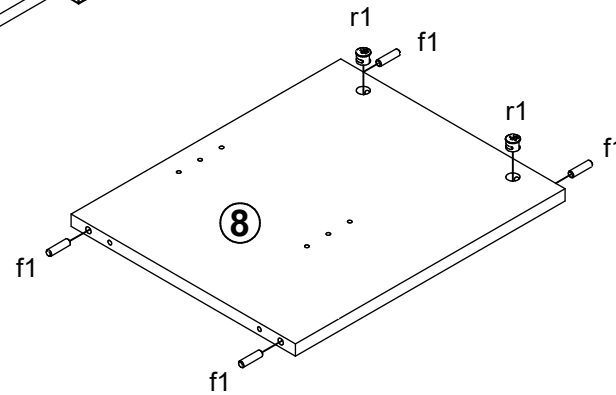
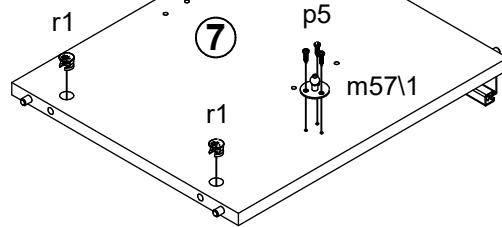
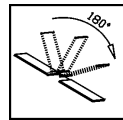
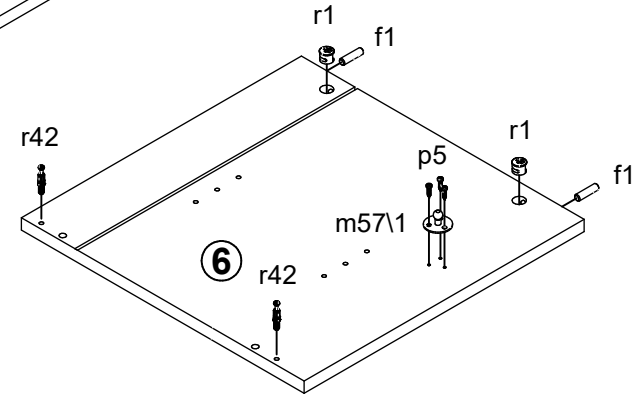
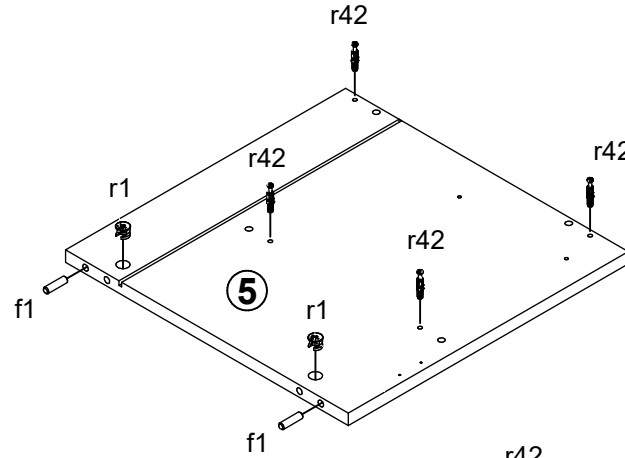
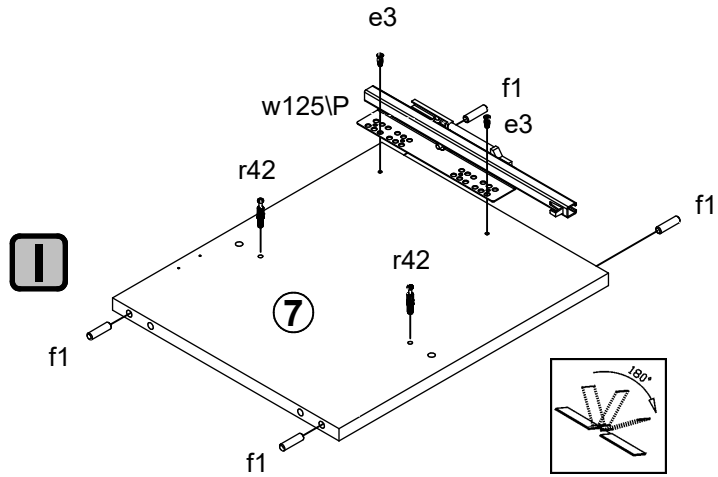


A	B	C (mm)			D
1	S616-0001	955	366	18	2/2
2	S616-0002	955	253	18	2/2
3	S616-0003	113	93	18	2/2
4	S616-0025	113	93	18	2/2
5	S616-1004	419	423	16	2/2
6	S616-1005	419	423	16	2/2
7	S616-1006	403	339	16	2/2
8	S616-1007	403	336	16	2/2
9	S616-2002	1917	423	16	1/2
10	S616-3003	1884	423	16	1/2
11	S616-3004	458	270	16	2/2
12	S616-3005	934	339	16	2/2
13	S616-4001	403	125	16	2/2
14	S616-5002	1918	64	18	1/2
15	S616-9002	1894	413	2.5	1/2
16	S616-9003	904	305	2.5	2/2
17	WSQ4-5003	300	180	12	2/2
18	WSQ4-5004	300	180	12	2/2
19	ZQ6-5426	894	167	15	2/2

cm

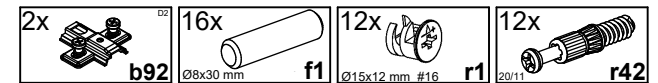
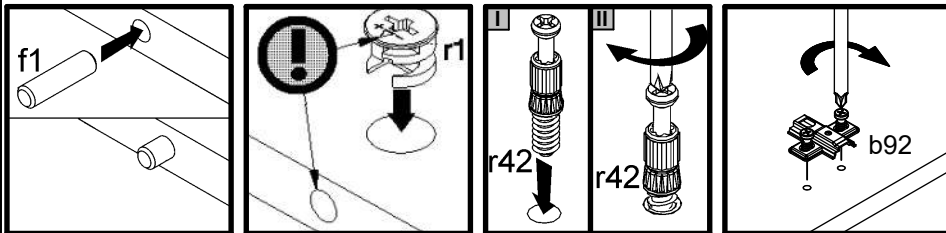
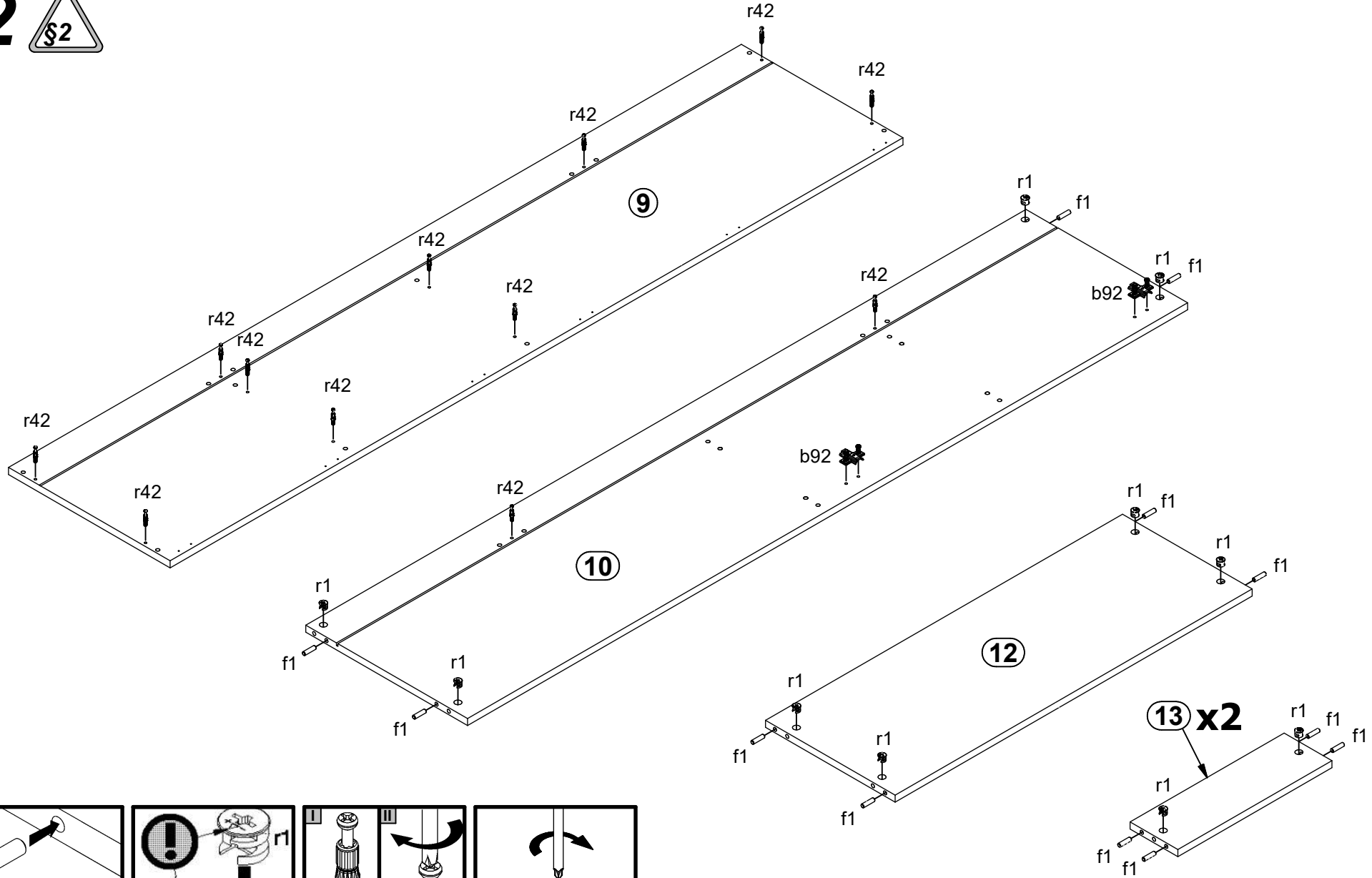
2x m5712	2x a211	2x b92	2x c469\8	4x d1	10x d41\2	4x e1	4x e3	12x e7	32x f1	4x f25	2x f35	12x l2	2x k171\1
1x k171\2	2x m56\1	2x m57\1	2x m57\3	2x n21\1	1x p140	2x p17	40x p38	10x p5	5x p51	15x p55	6x p87	20x r1	
2x r15	22x r42	1x t25	1x w125\L	1x w125\P	8x s68	1x z1							

1 §2

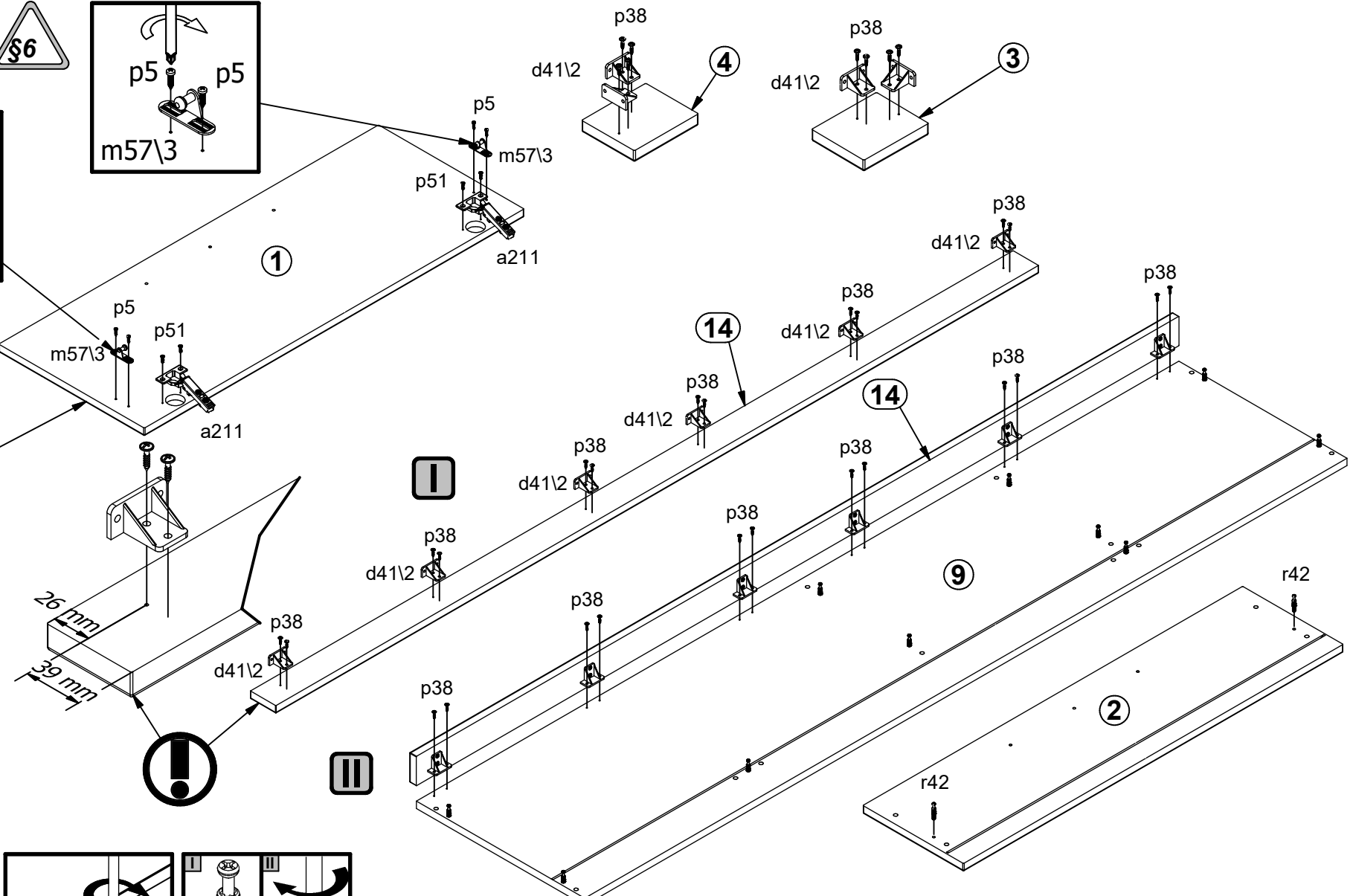
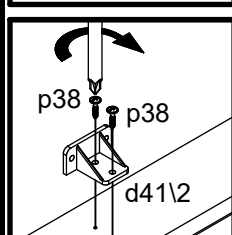
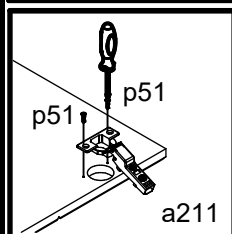
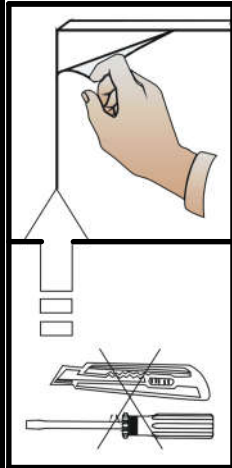
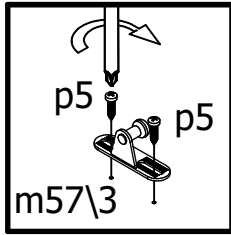
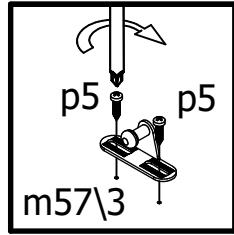





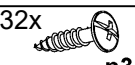

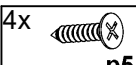
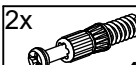
2x Ø6x13 mm e3	12x Ø8x30 mm f1	2x m57\1	6x Ø3,5x13 mm p5
8x Ø15x12 mm #16 r1	8x 20/11 r42	1x 300mm w125\1P	

2 

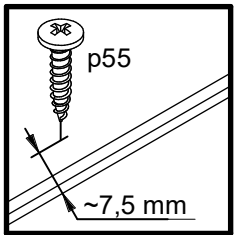
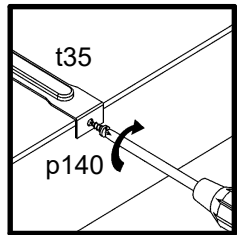
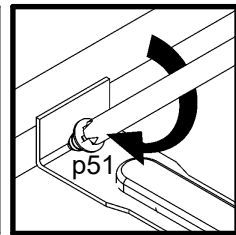
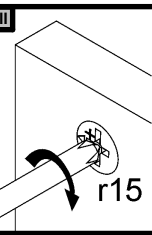
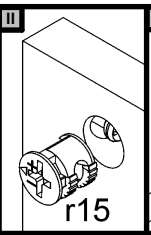
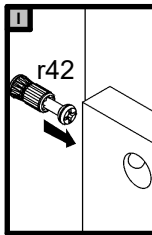
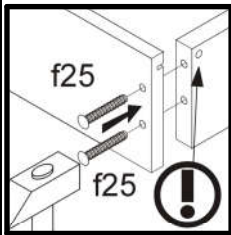
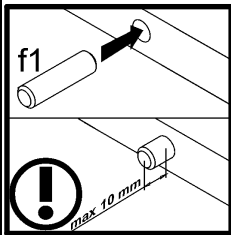
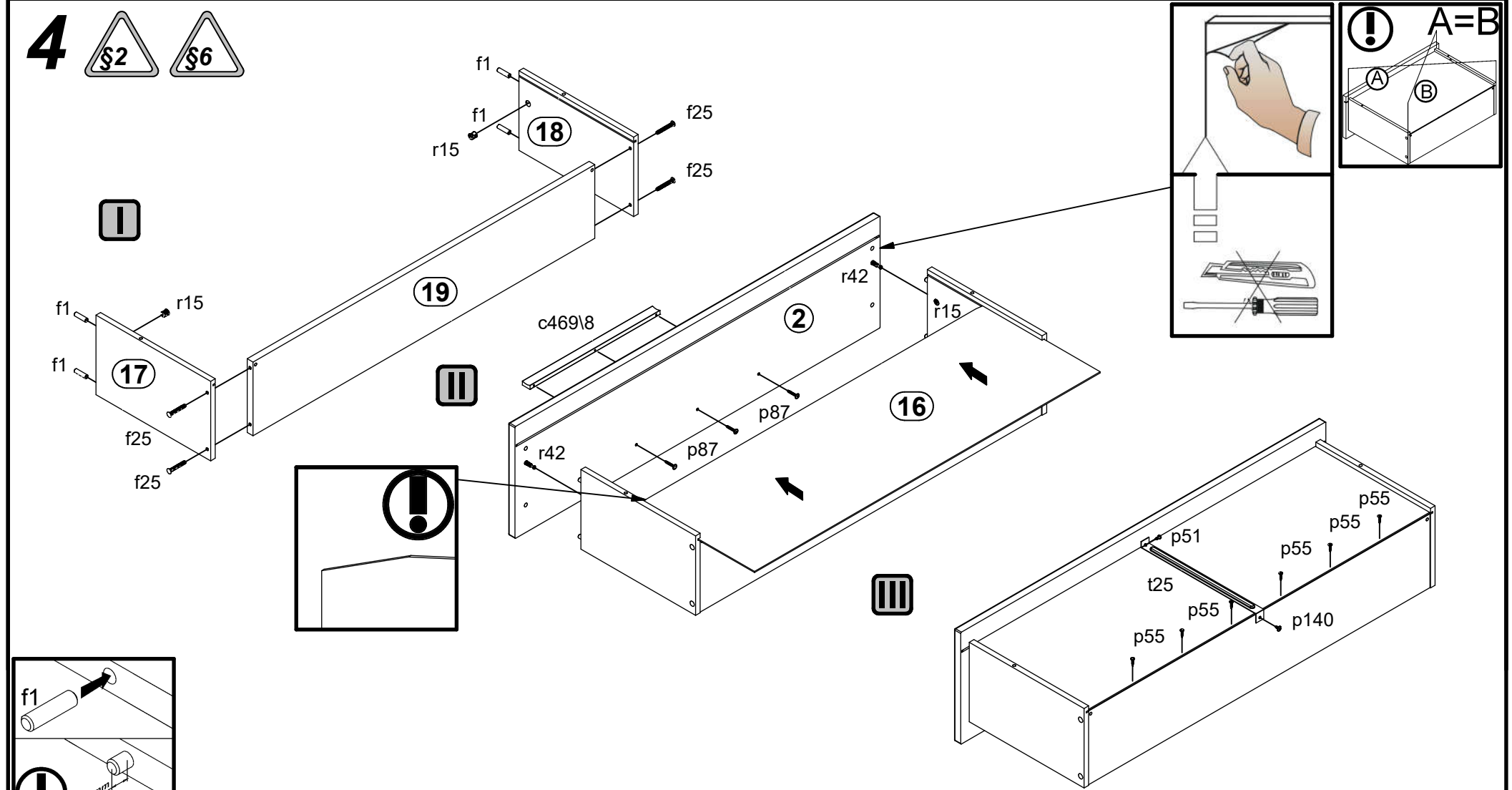


3  



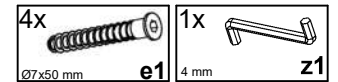
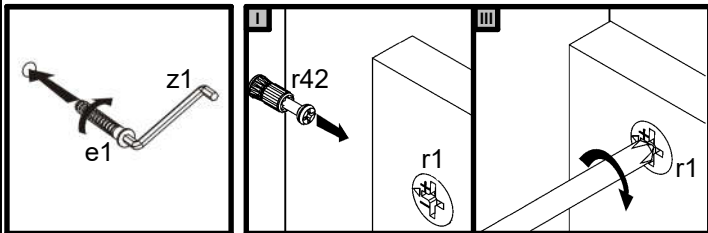
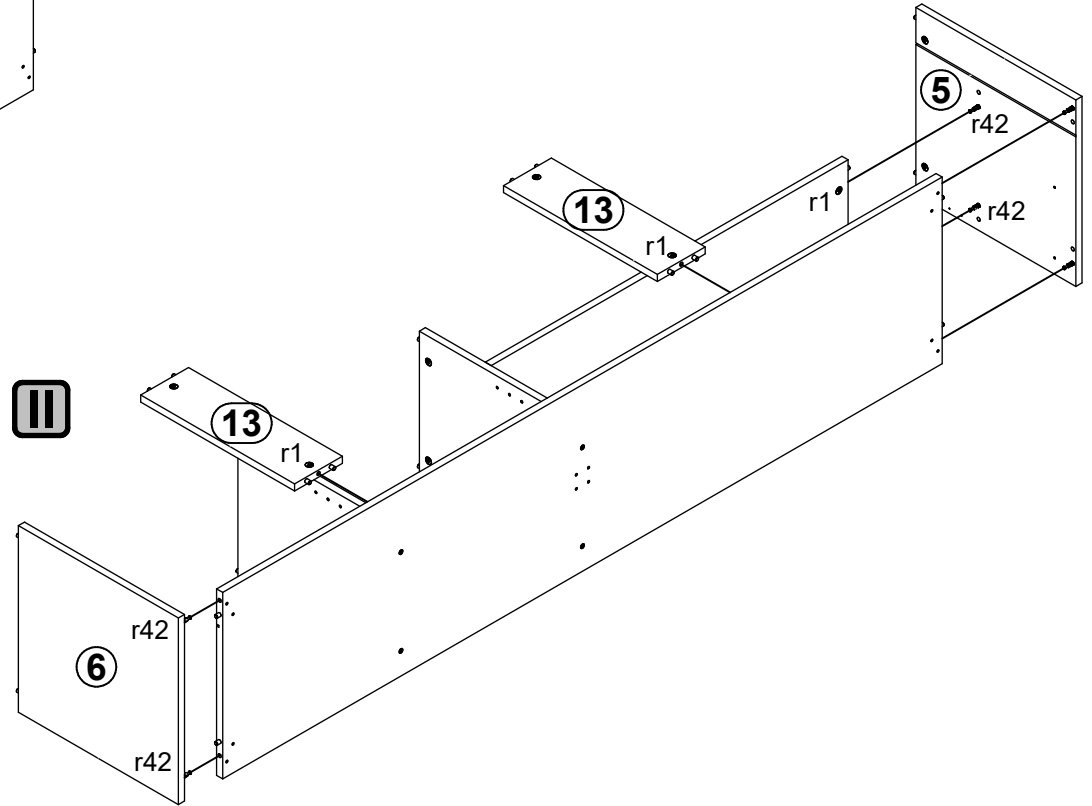
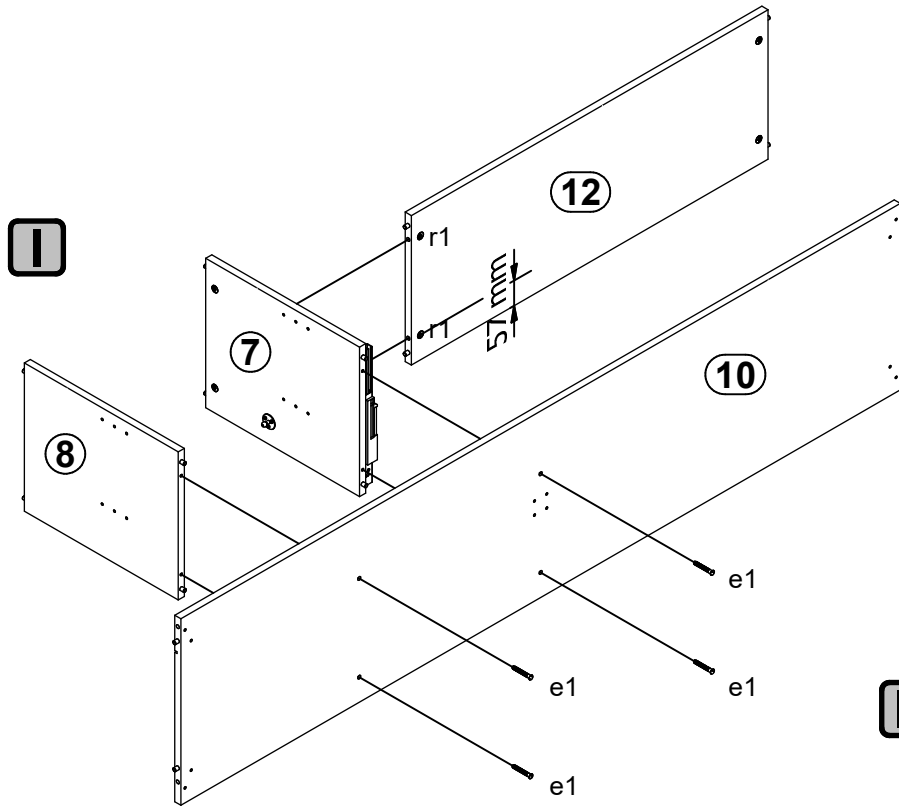
- | | | |
|--|--|--|
| 2x
Ø3.5
 a211 | 10x
 d41\2 | 2x
 m57\3 |
| 32x
Ø3.5x16 mm
 p38 | 4x
Ø3.5x13 mm
 p5 | 4x
 p51 |
| | | 2x
20/11
 r42 |

4  

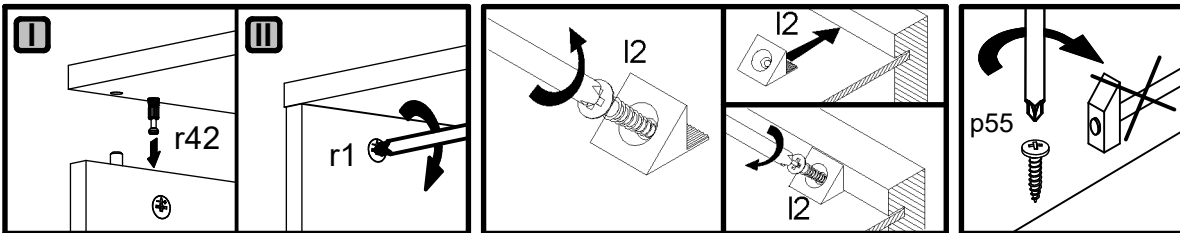
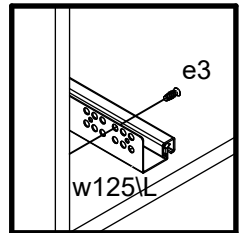
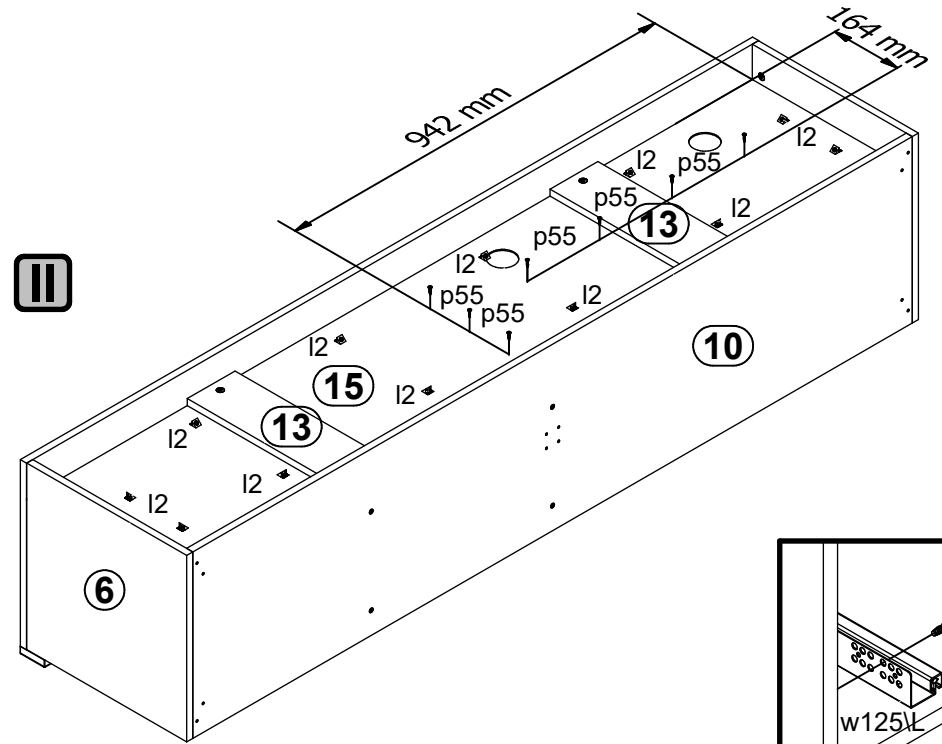
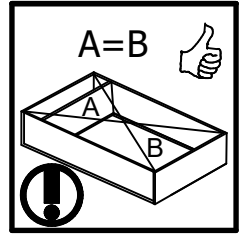
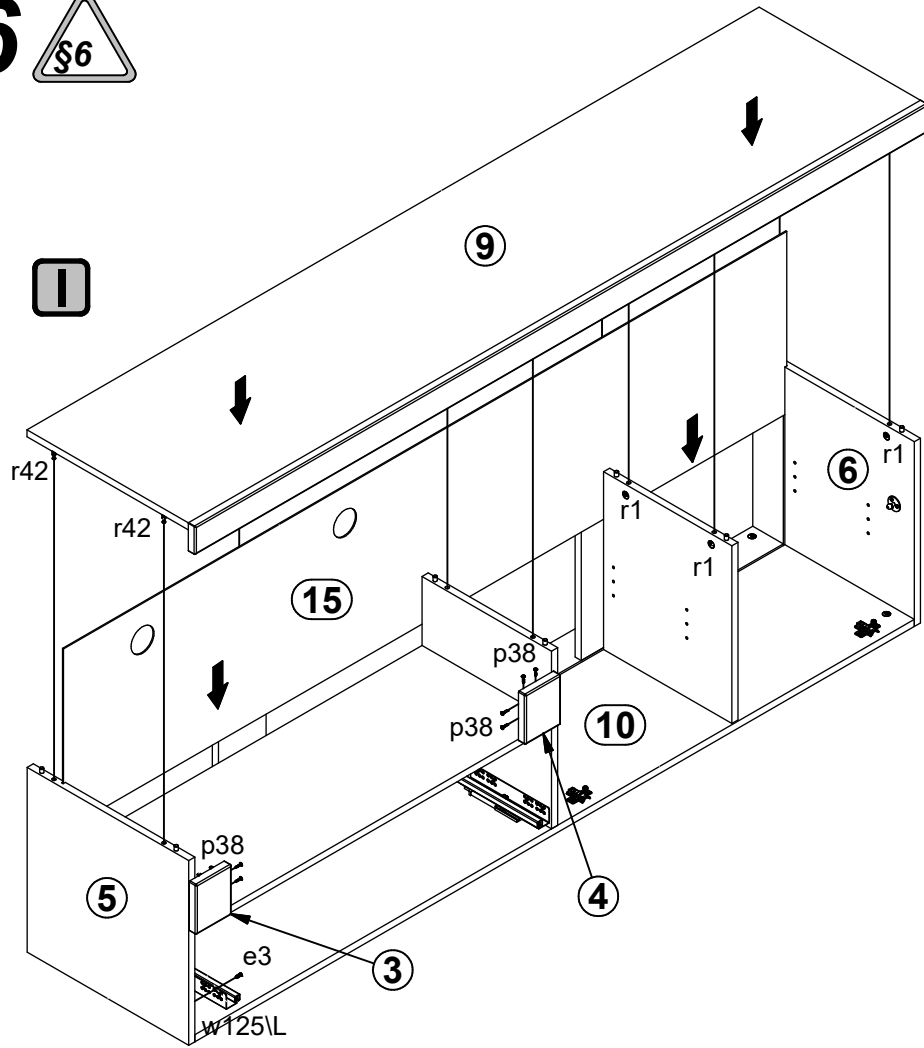


1x L-340mm c469/8	4x Ø8x30 mm f1	4x Ø6,5x40 mm f25
1x Ø3,5x12 mm p140	1x Ø3,5x15 mm p51	6x Ø2,9x16 mm p55
3x Ø4x25 mm p87	2x Ø12x10,5 mm #12 r15	1x 300 mm t25

5

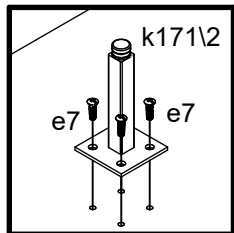
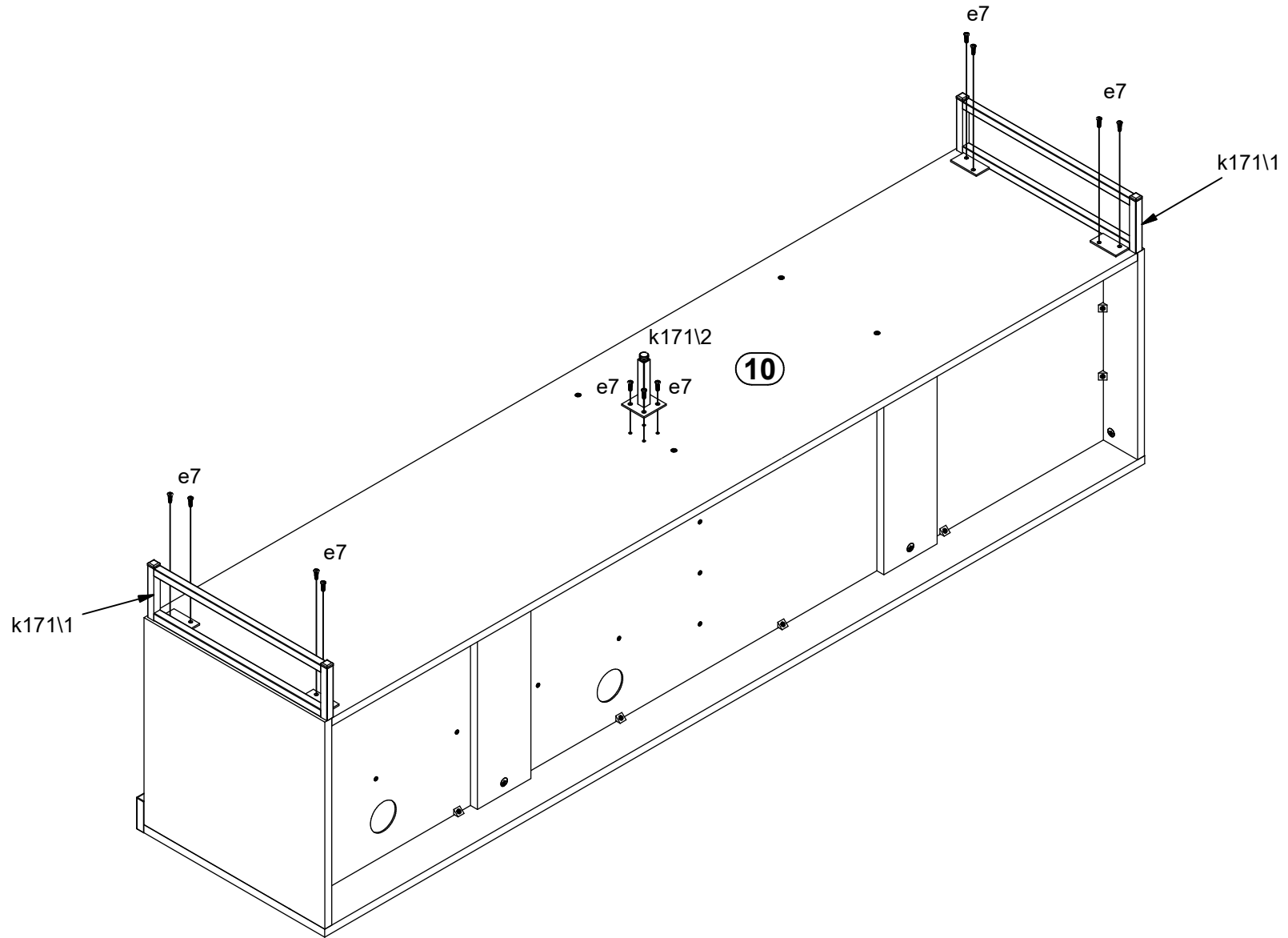


6



- 2x Ø6x13 mm e3
- 12x I2
- 5x Ø2.9x16 mm p55
- 8x Ø3.5x16 mm p38
- 1x 300mm w125\L

7 

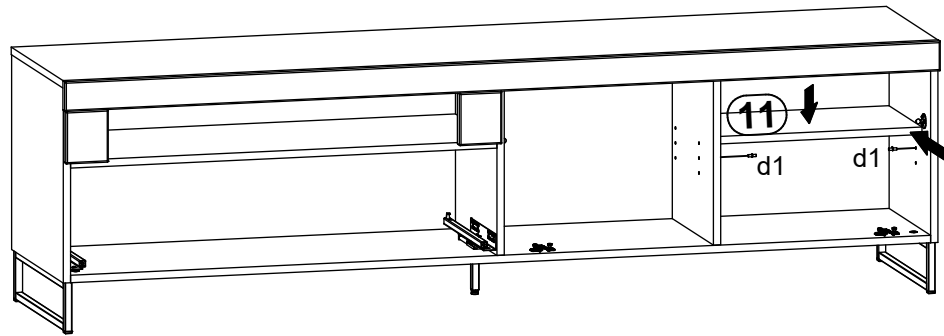


- 12x  e7 Ø6.3x16 mm
- 2x  k171\1
- 1x  k171\2

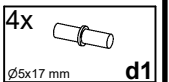
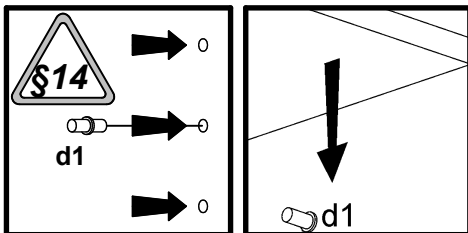
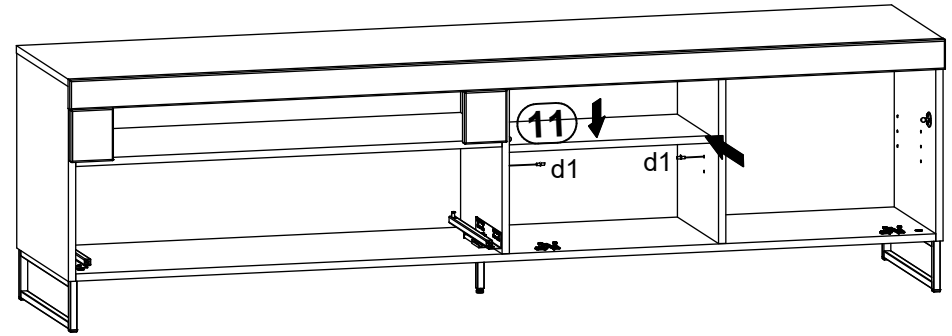
8



A

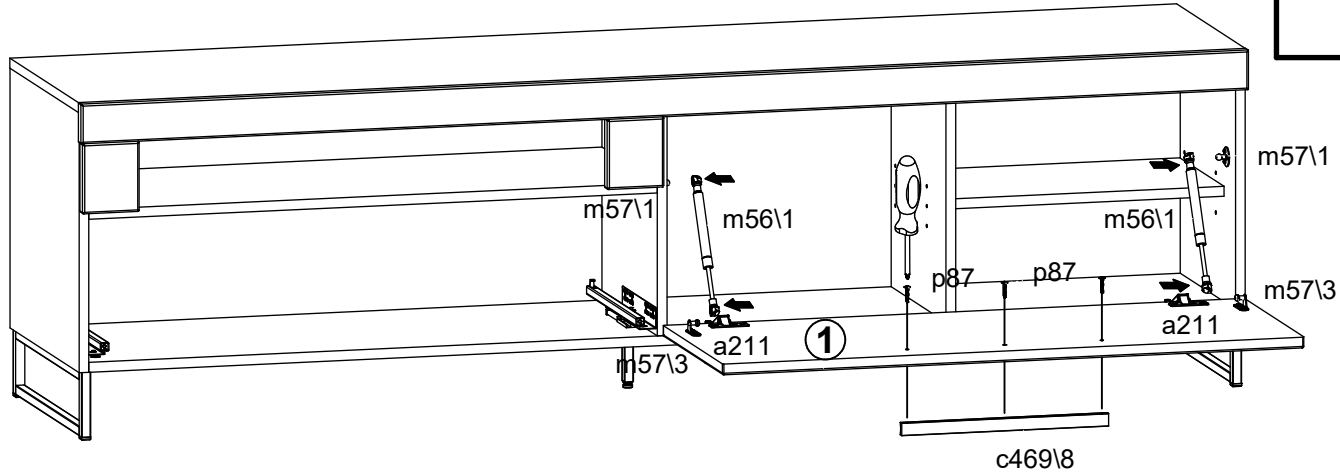
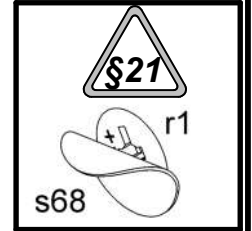
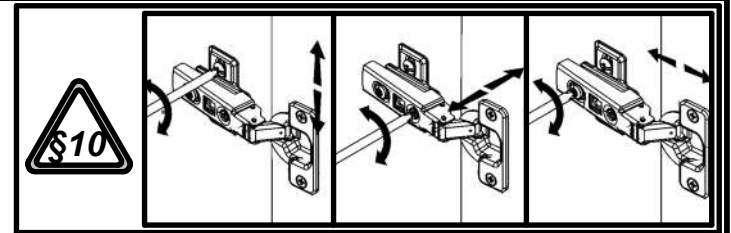


B

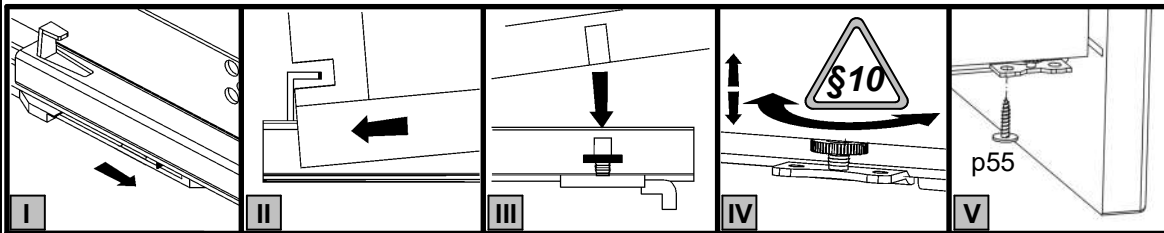
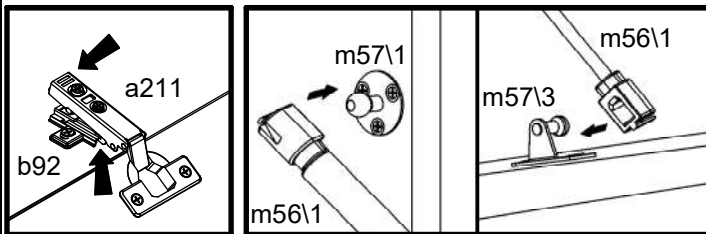
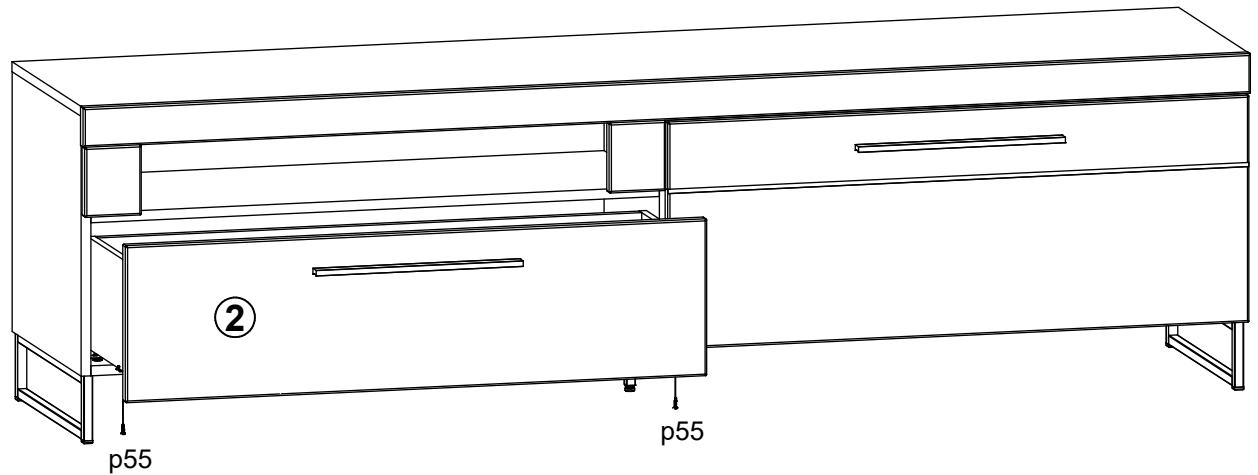


9 §6

I

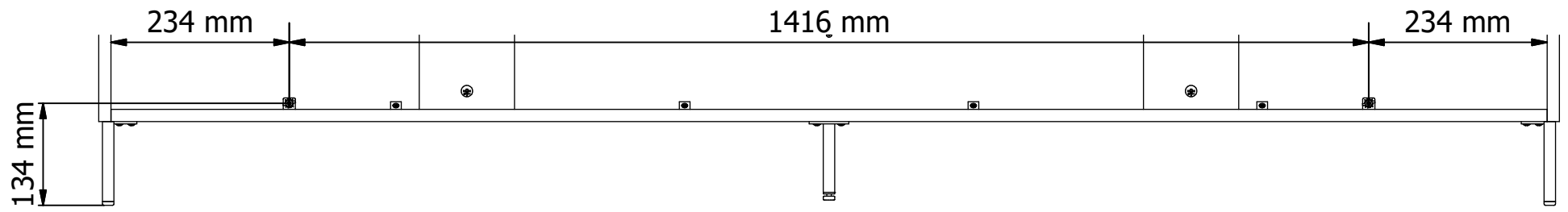
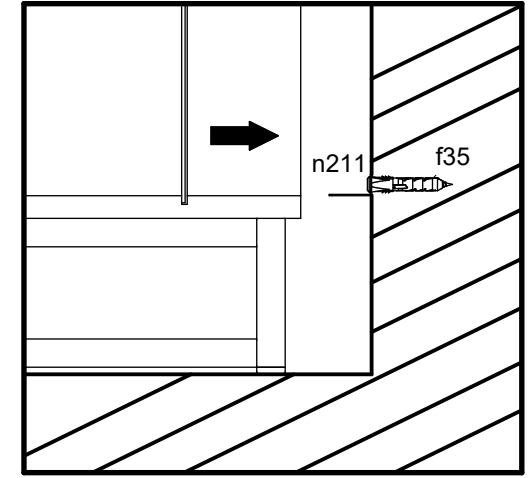
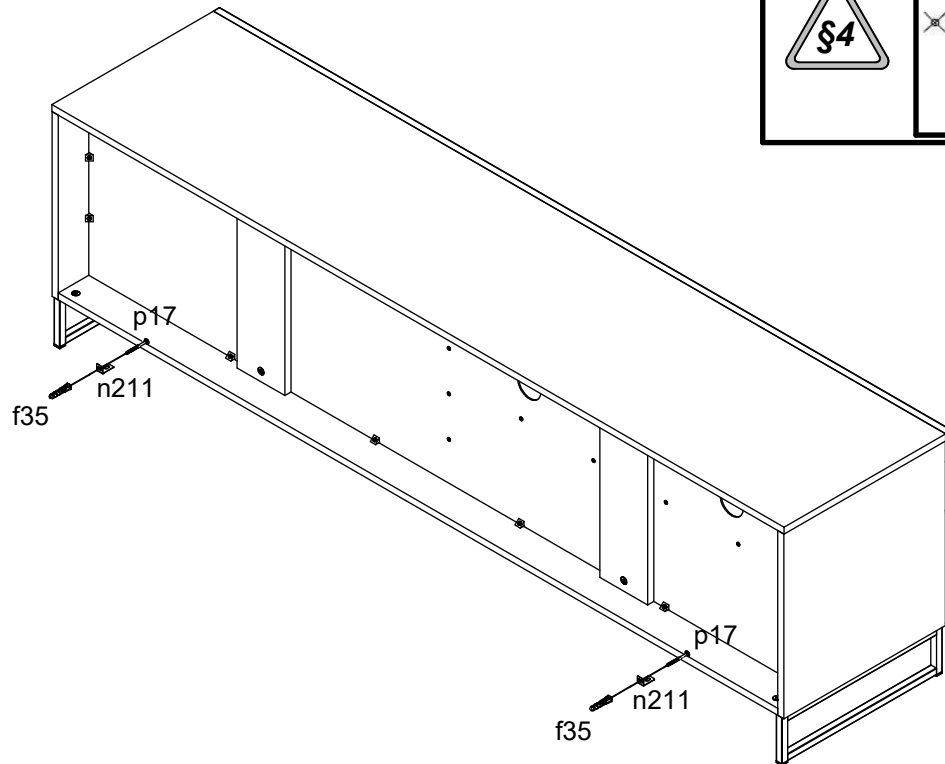
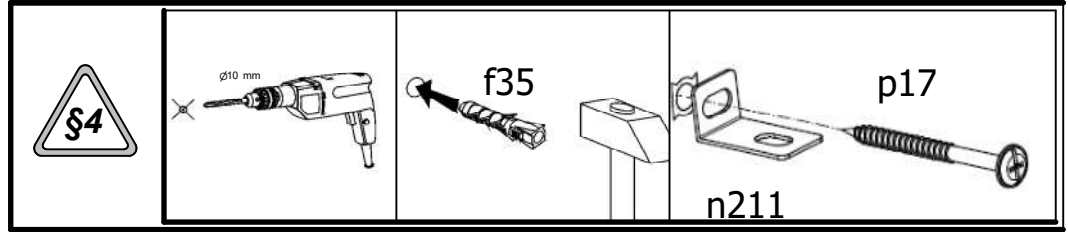


II



1x L-340mm c469\8	2x 80N m56\1	2x Ø2.9x16 mm p55	3x Ø4x25 mm p87	8x Ø20mm s68
-------------------------	--------------------	-------------------------	-----------------------	--------------------

10 



- 2x  f35

$\phi 10 \times 50$ mm
- 2x  n211

30x15x16/2
- 2x  p17

$\phi 5 \times 60$ mm

11

