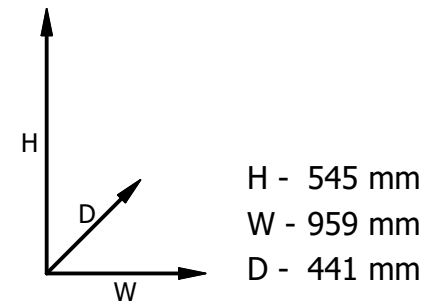
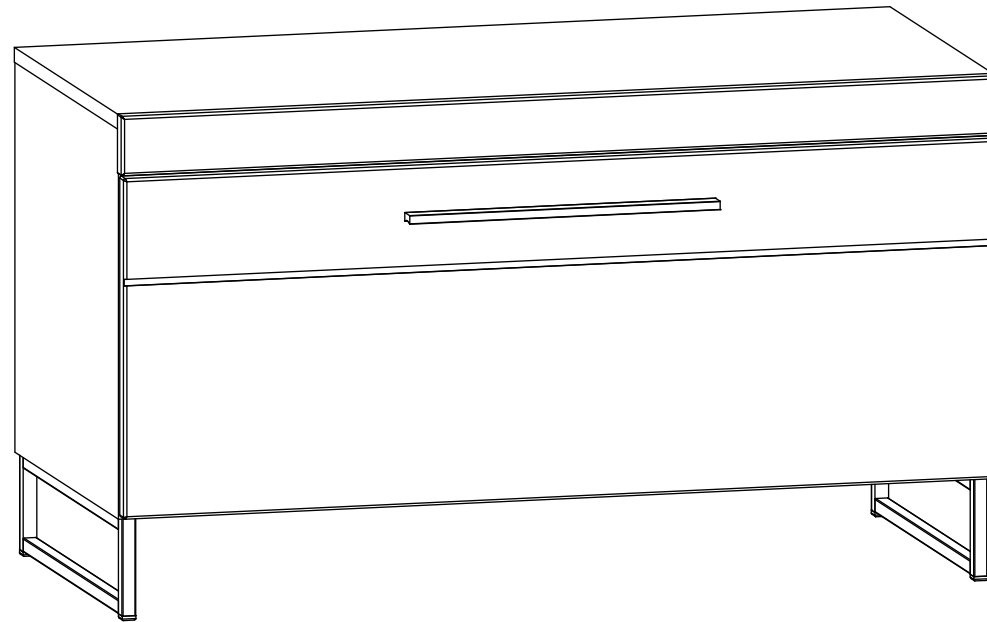
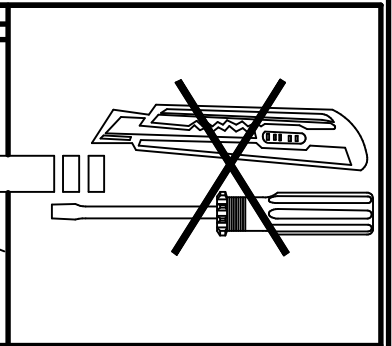
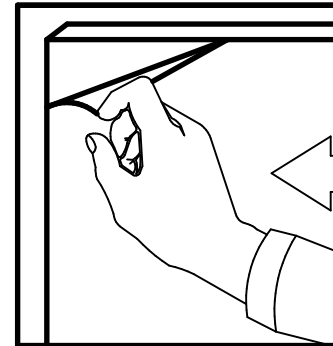
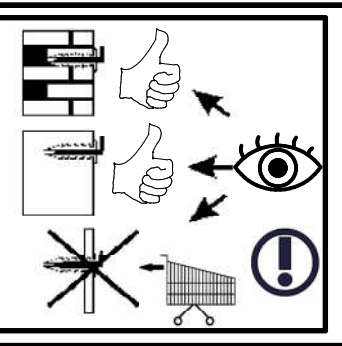
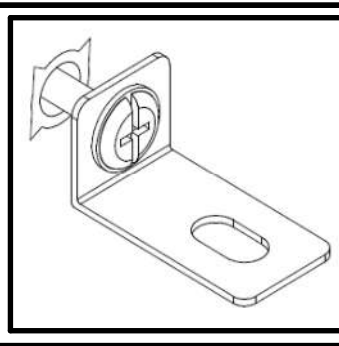
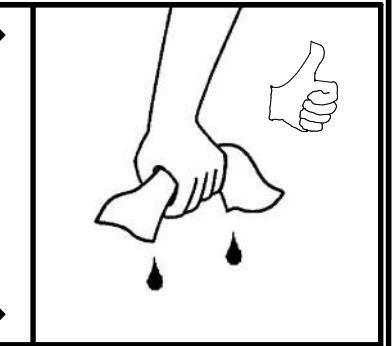
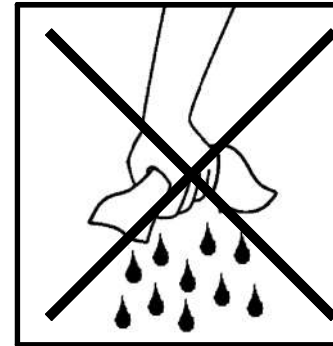
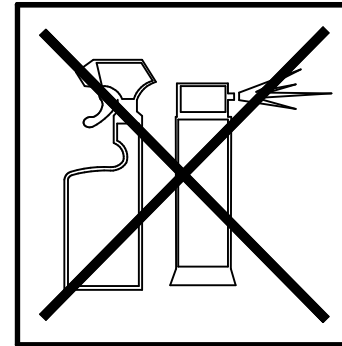
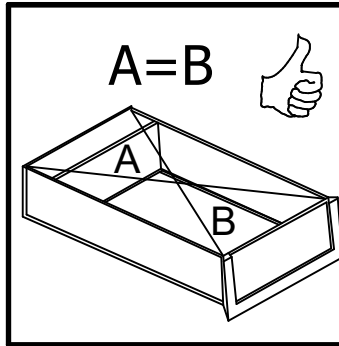
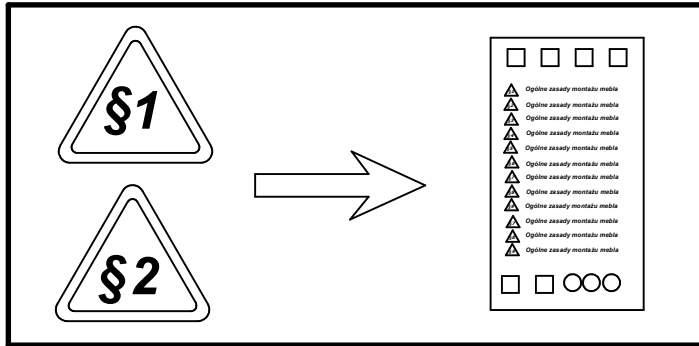
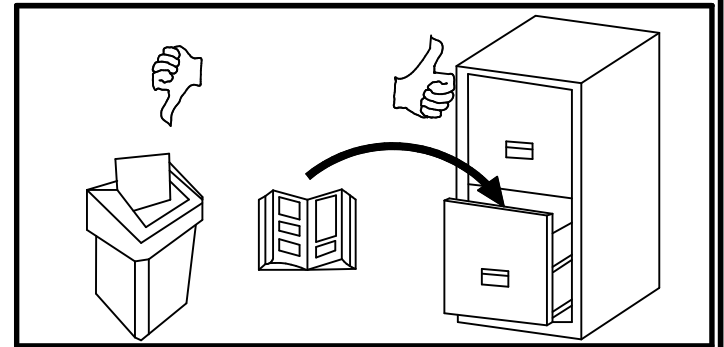
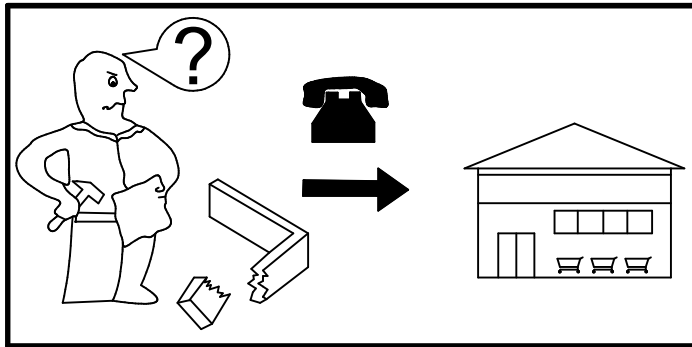
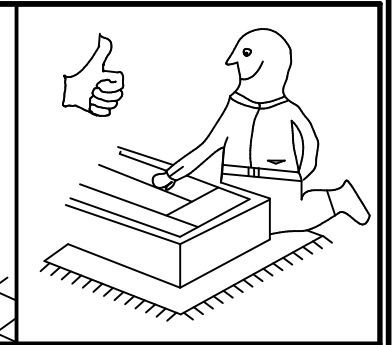
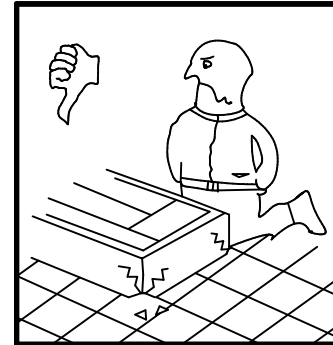
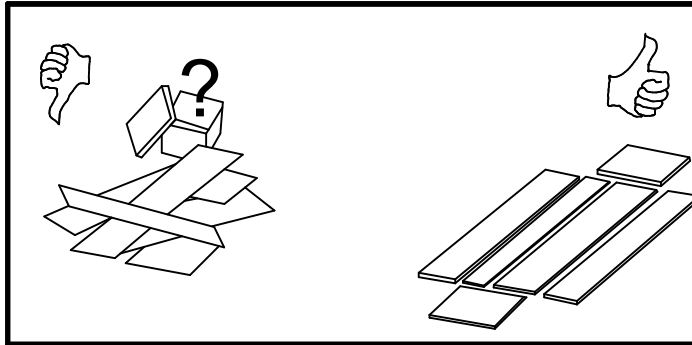
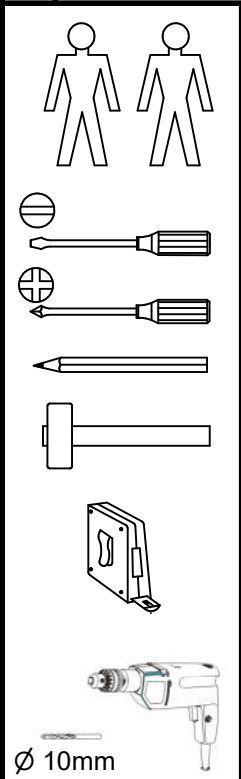


# LOFT-TWO

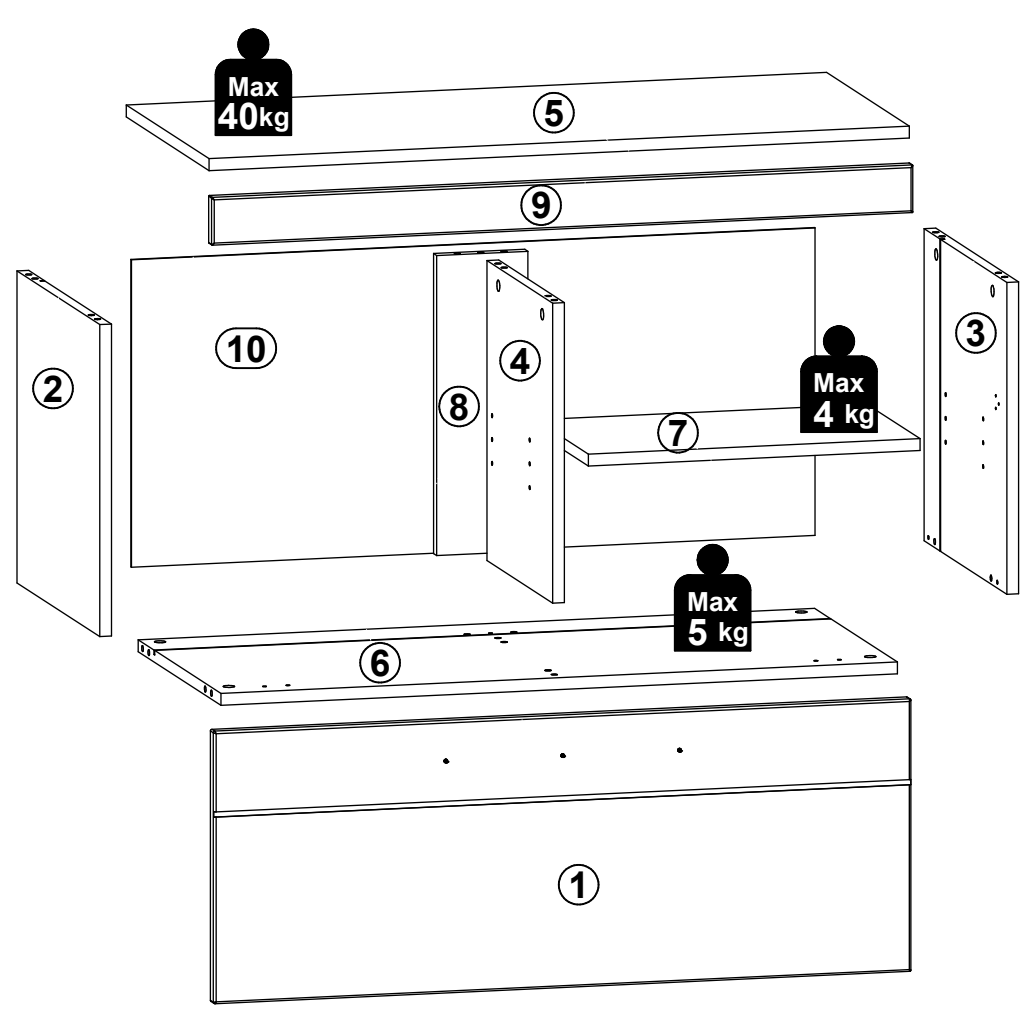
# S616-SFK1K



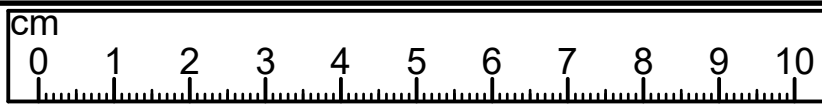
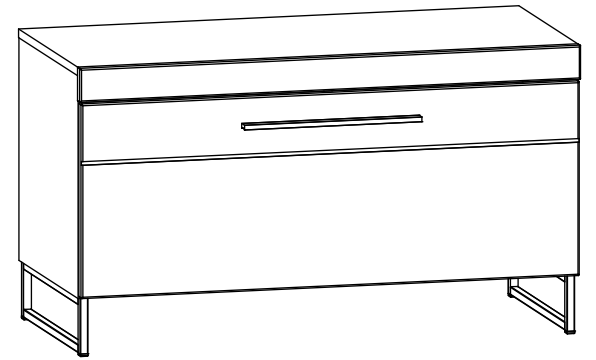




Ø 10mm



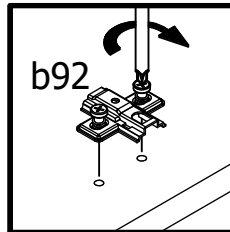
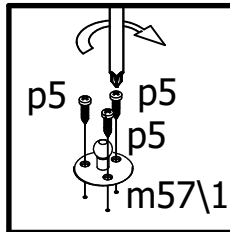
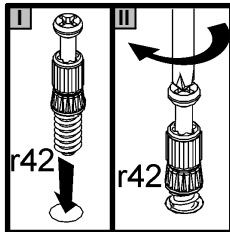
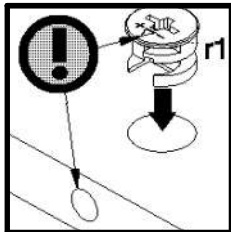
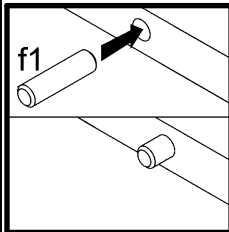
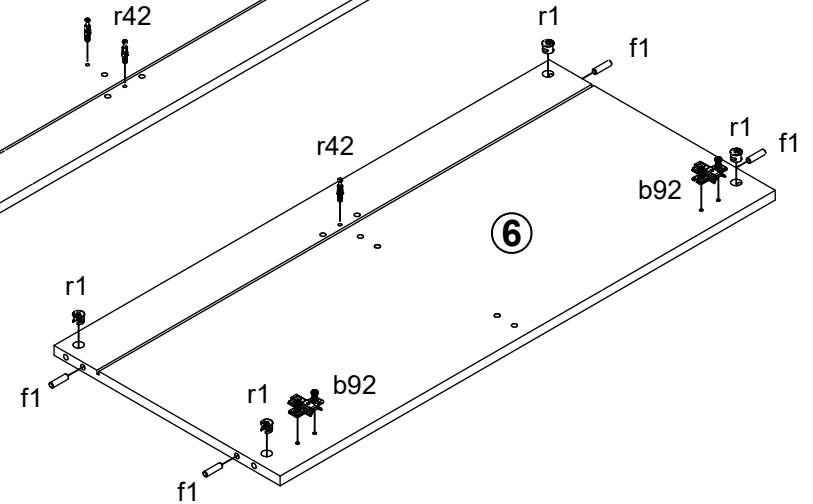
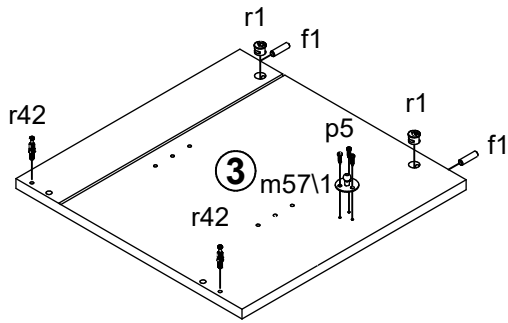
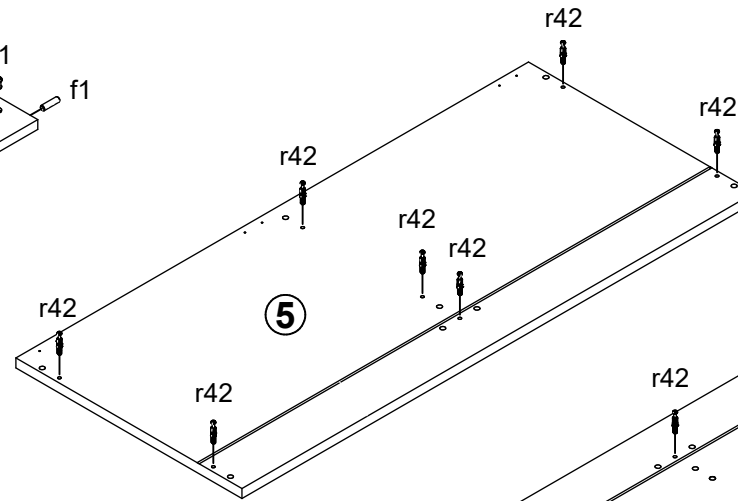
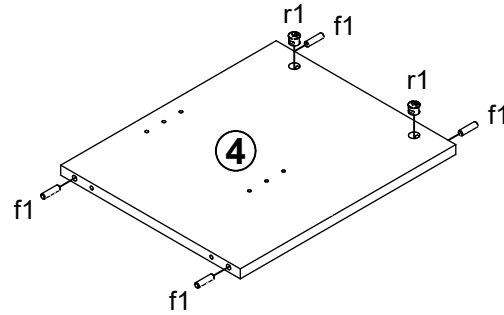
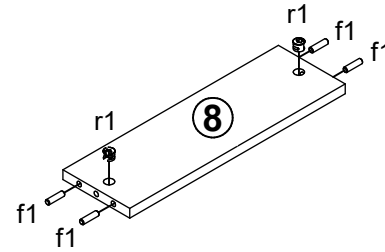
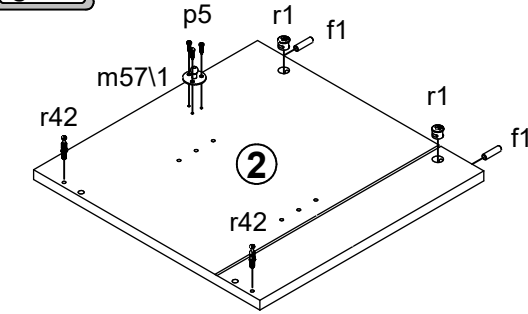
A	B	C (mm)			D
1	S616-0001	955	366	18	1/1
2	S616-1001	419	423	16	1/1
3	S616-1002	419	423	16	1/1
4	S616-1003	403	336	16	1/1
5	S616-2001	959	423	16	1/1
6	S616-3001	926	423	16	1/1
7	S616-3002	454	270	16	1/1
8	S616-4001	403	125	16	1/1
9	S616-5001	960	64	18	1/1
10	S616-9001	936	413	2.5	1/1



D
1/1

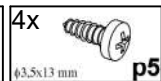
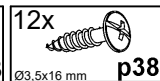
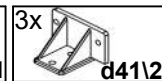
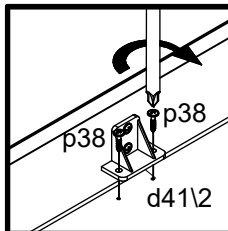
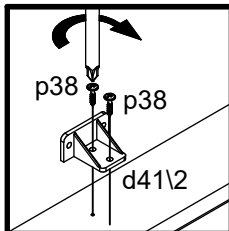
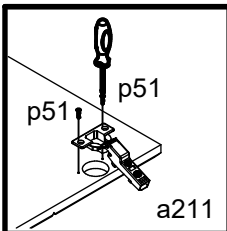
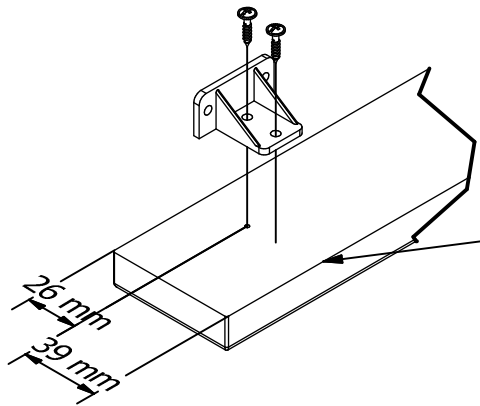
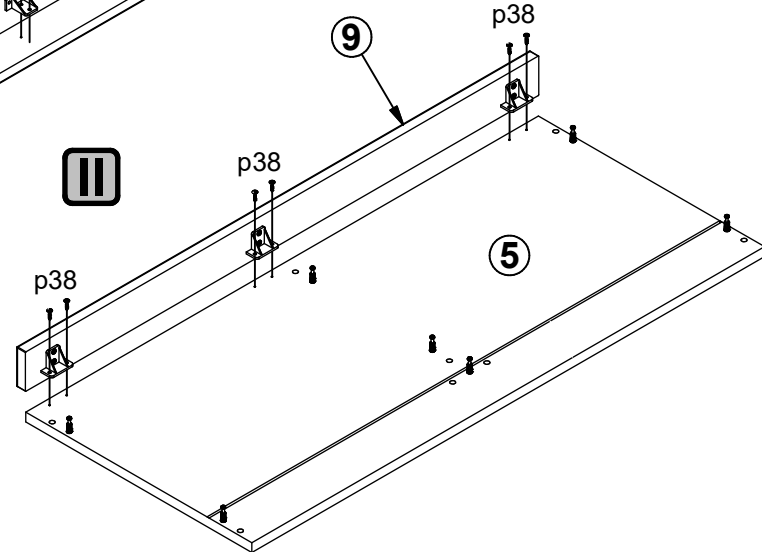
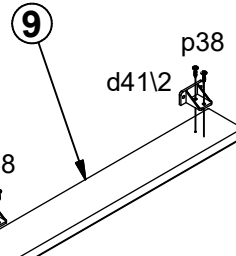
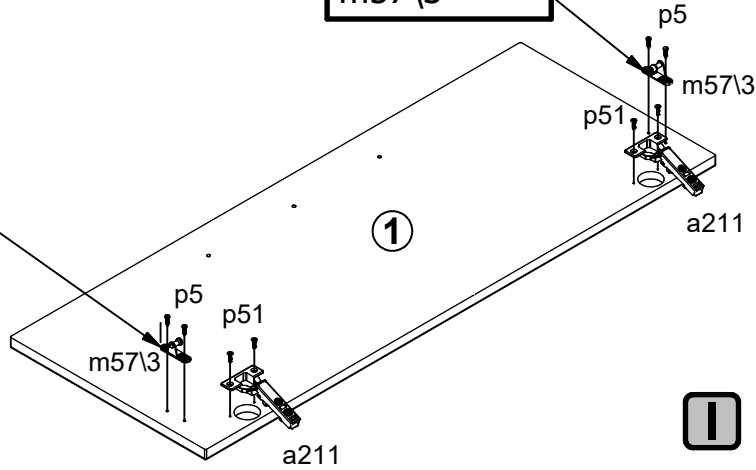
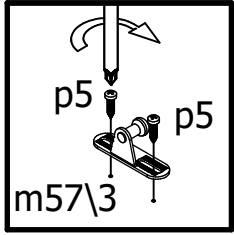
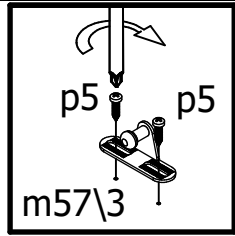
2x m57\2																						
2x a211	2x b92	1x c469\8	4x d1	3x d41\2	2x e1	8x e7	16x f1	2x f35	2x k171\1	6x l2	2x m56\1	2x m57\1										
2x m57\3	2x n211	2x p17	12x p38	10x p5	4x p51	3x p87	12x r1	12x r42	1x z1	6x s68												

1 §2

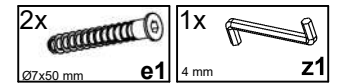
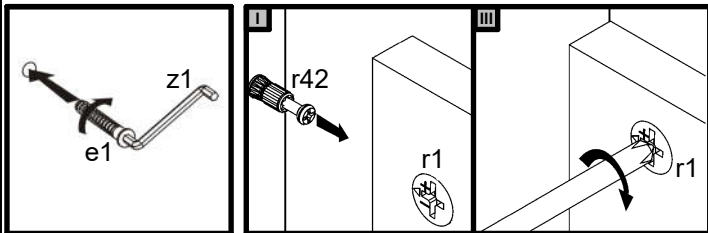
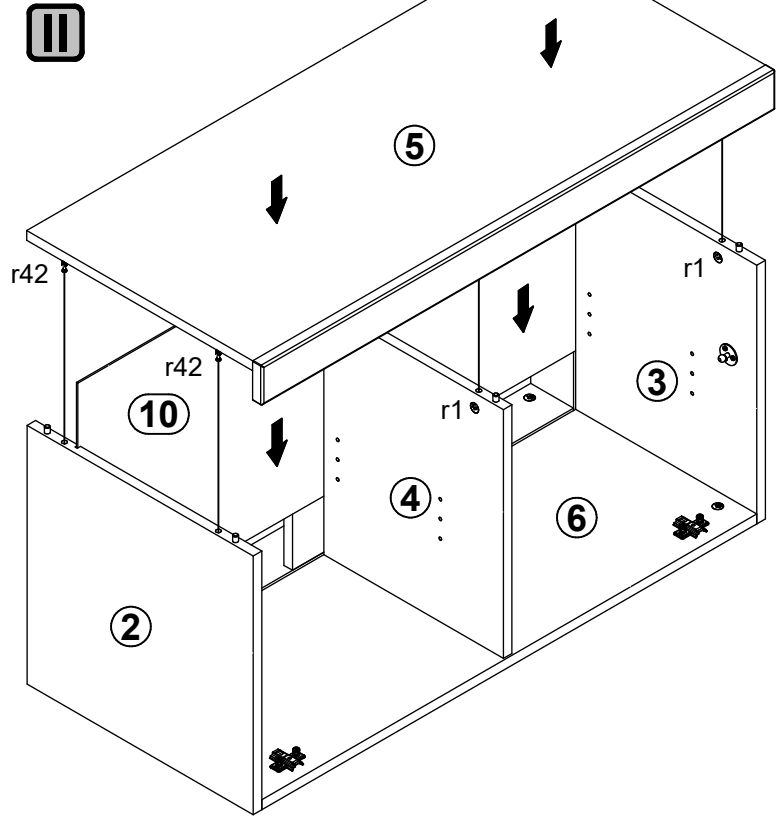
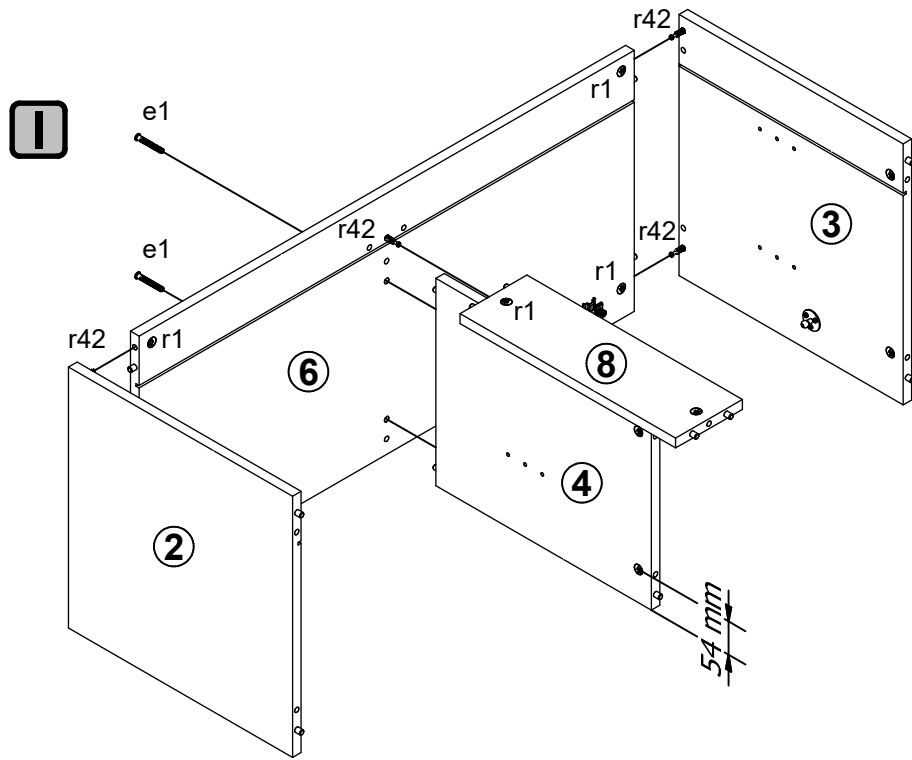


2x b92	16x Ø8x30 mm f1	2x m57\1
6x Ø3.5x13 mm p5	12x Ø15x12 mm #16 r1	12x r42

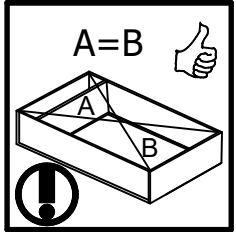
2  



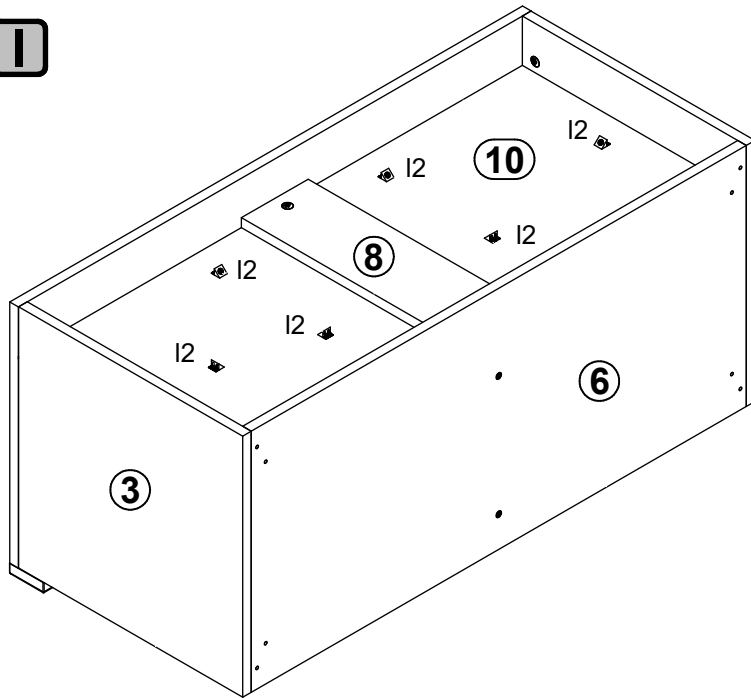
# 3



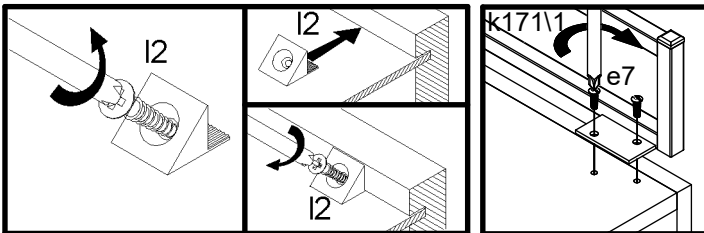
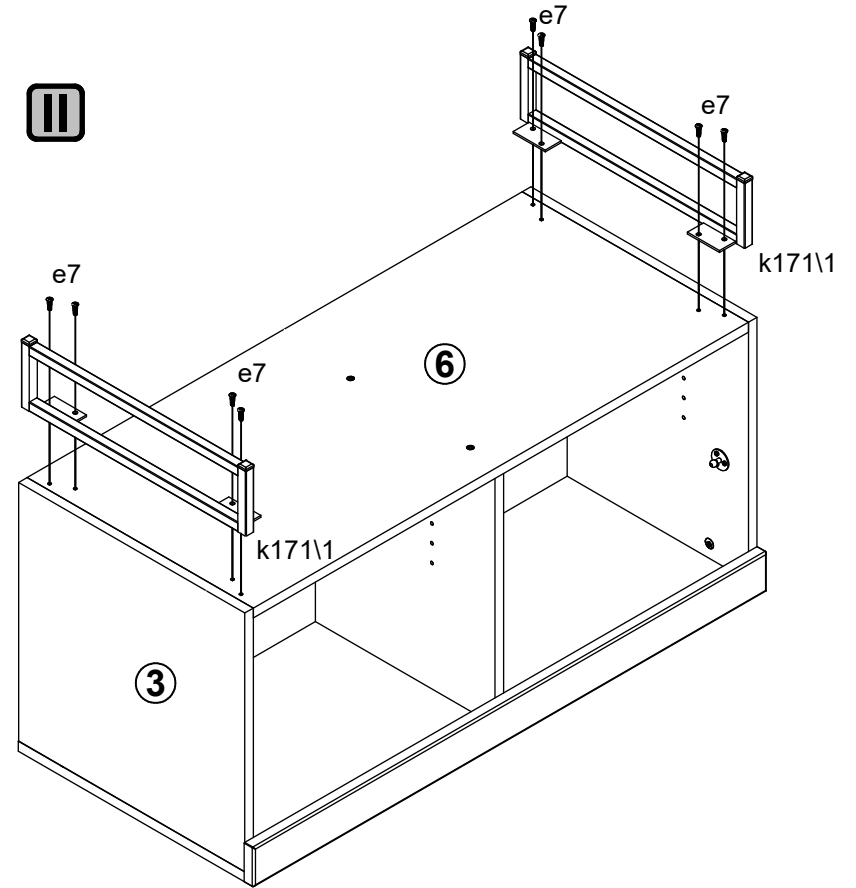
4 



I

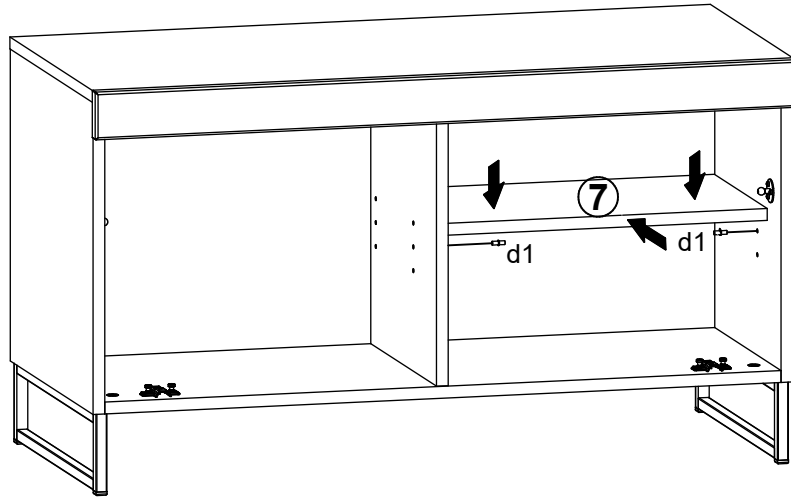


II

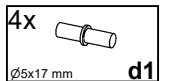
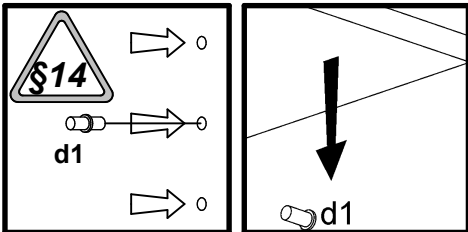
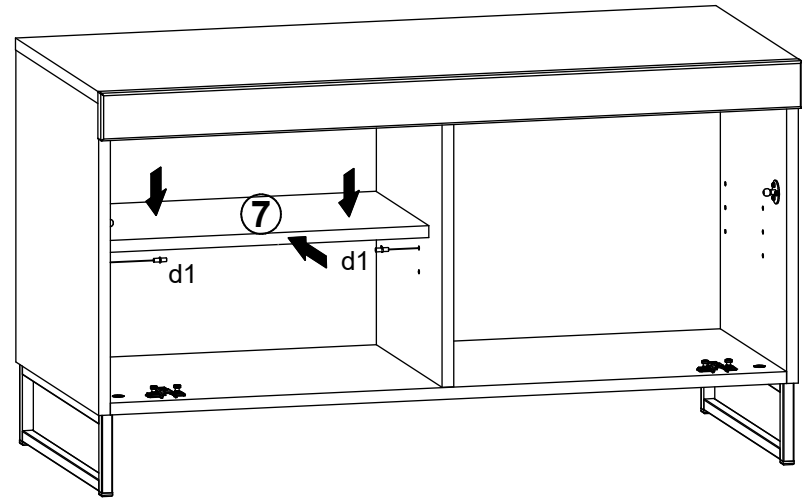


5  

A

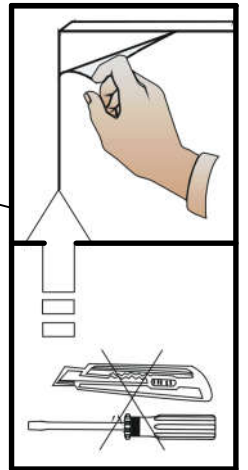
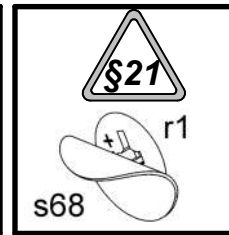
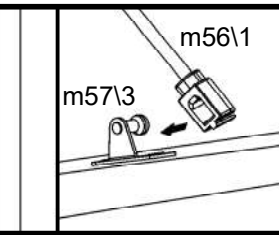
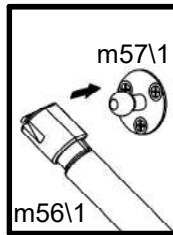
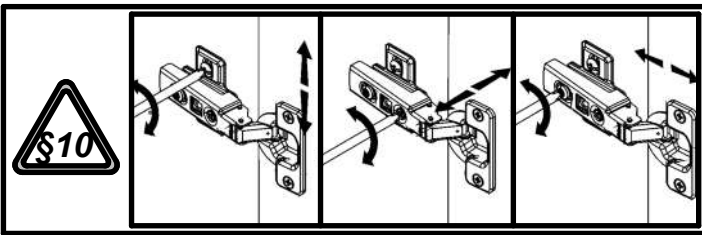
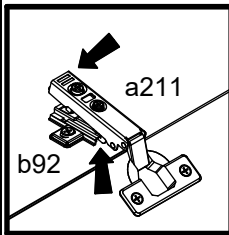
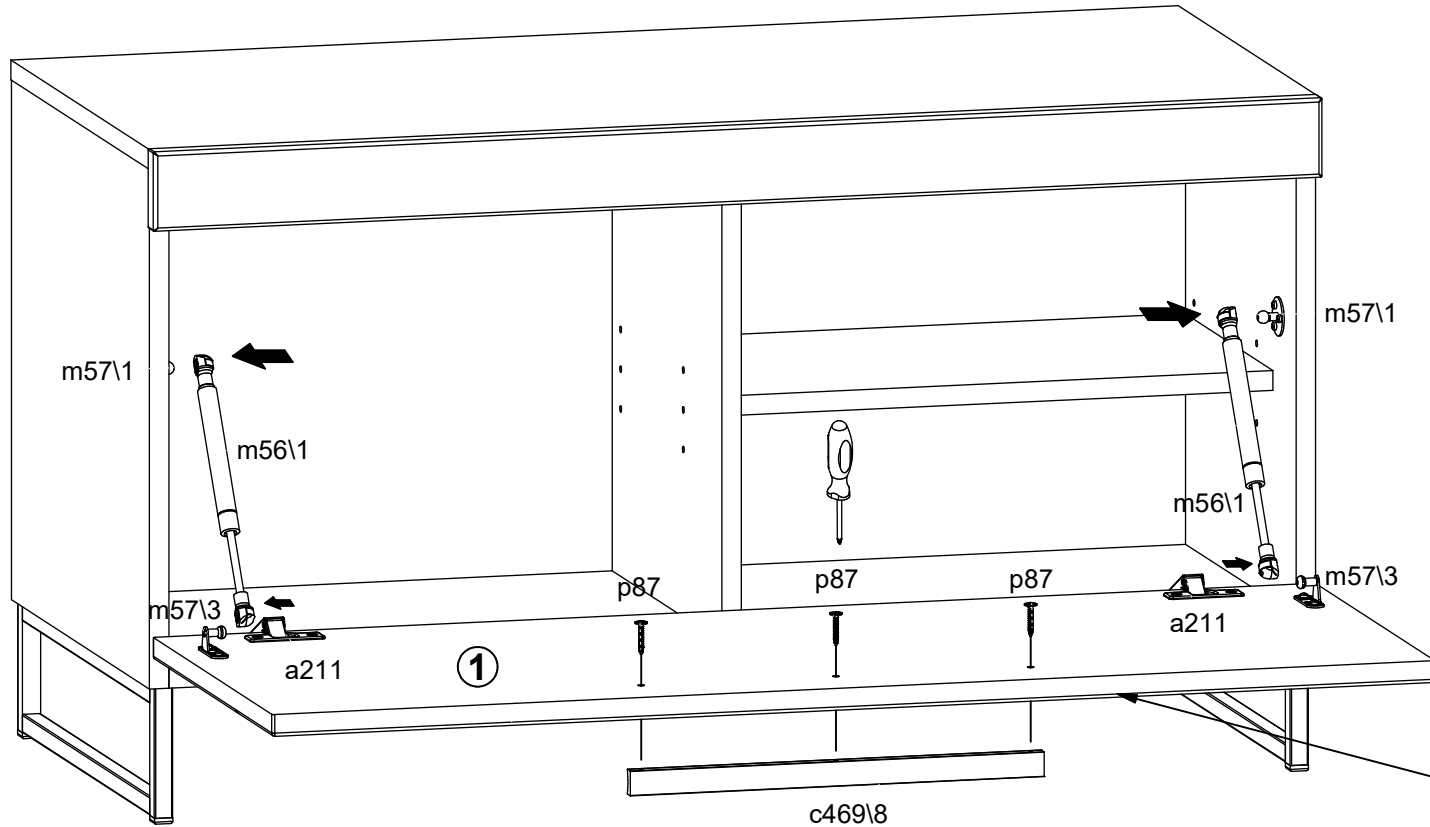


B



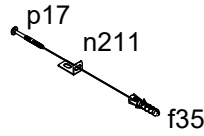
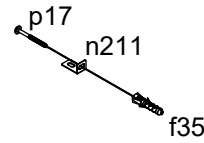
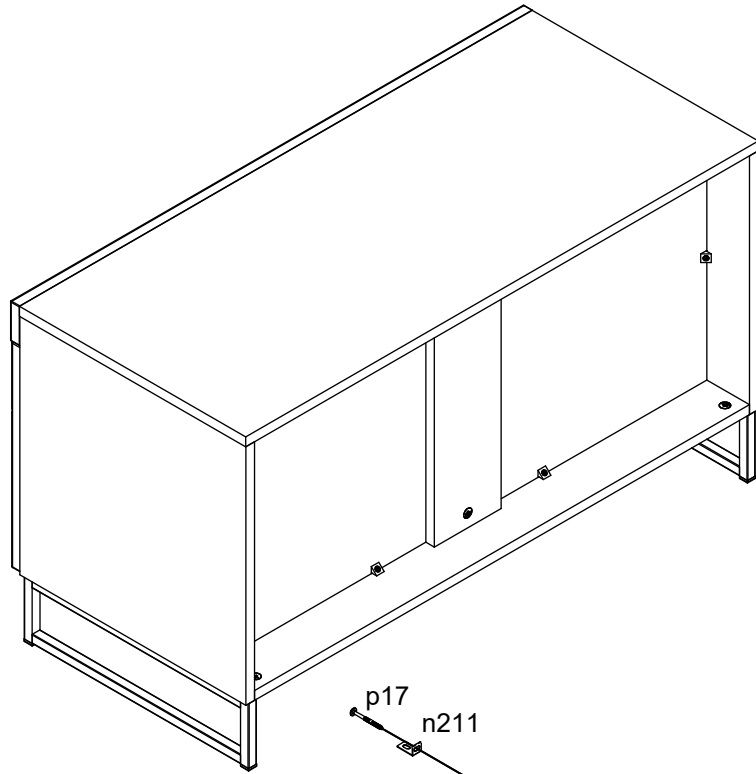



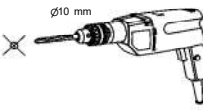


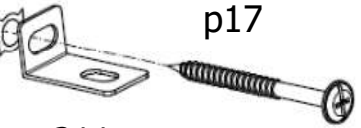
6 §6

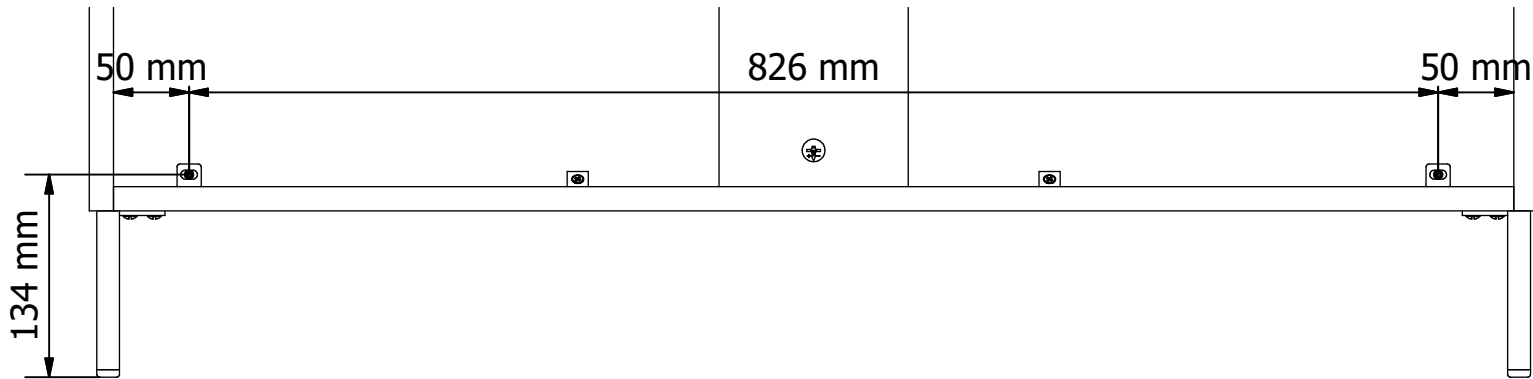
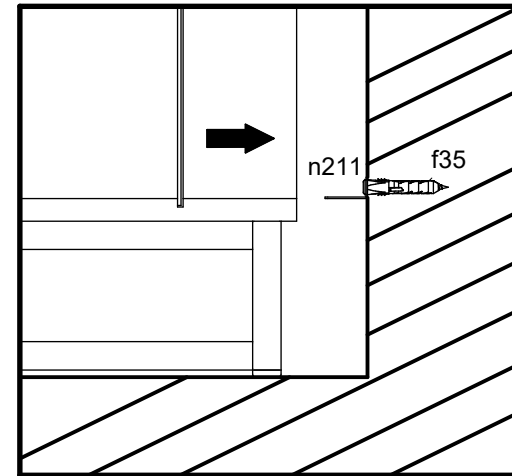


1x L=340mm c469\8	2x 80N m56\1
3x Ø4x25 mm p87	6x Ø 20mm s68

7 





- 2x  f35
- 2x  n211
- 2x  p17

8

