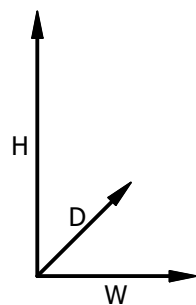
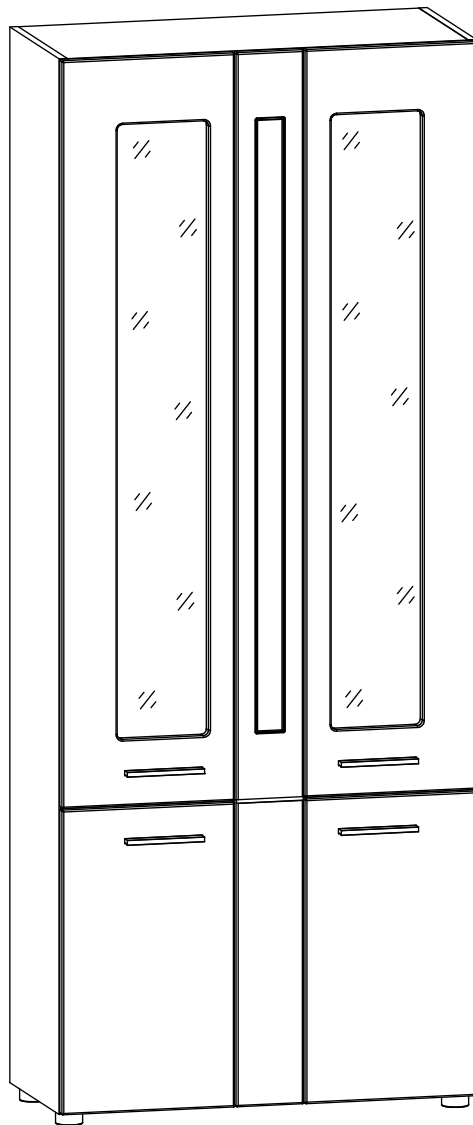


# LOFT-TWO

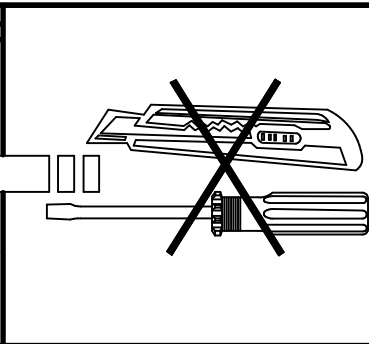
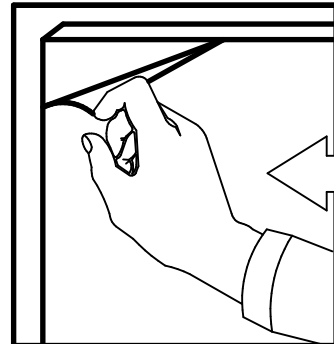
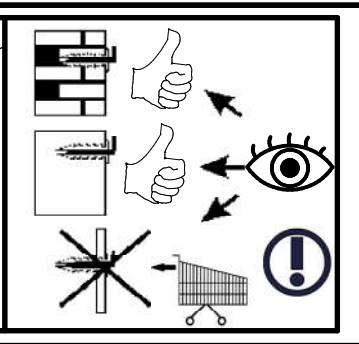
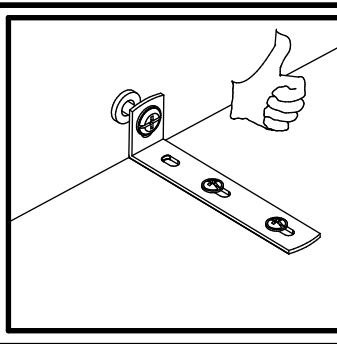
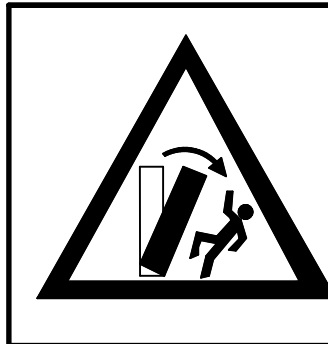
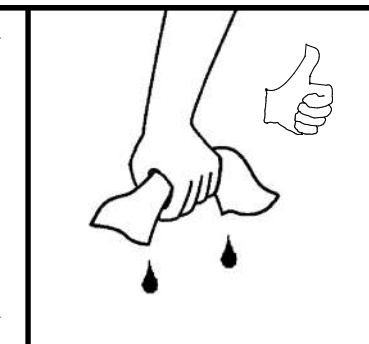
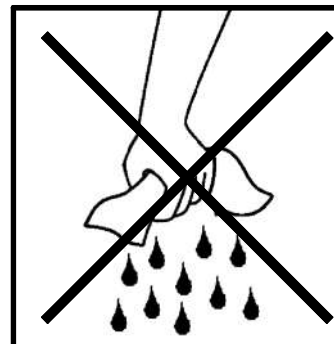
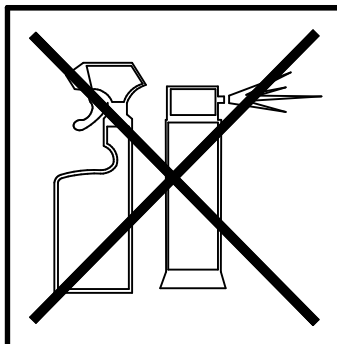
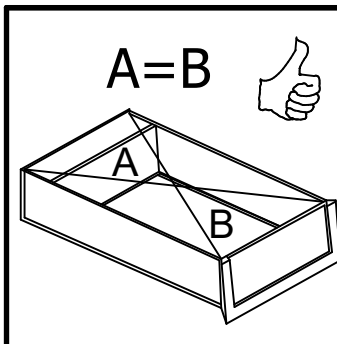
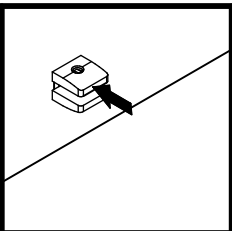
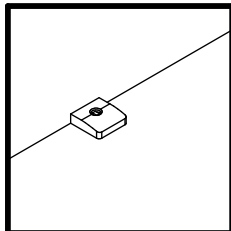
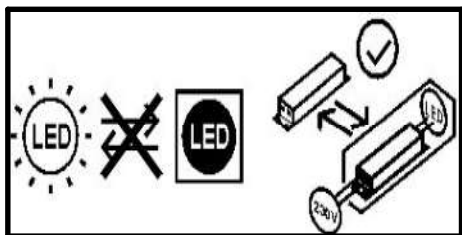
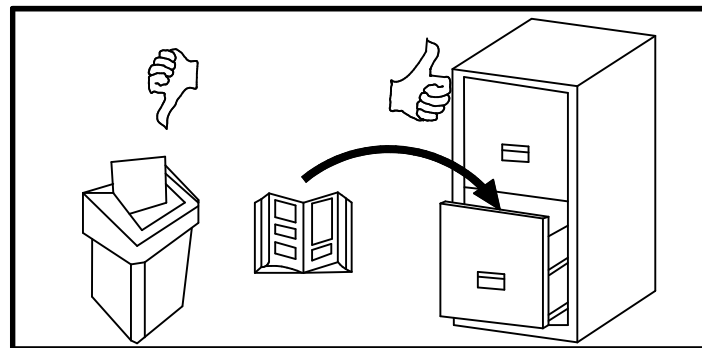
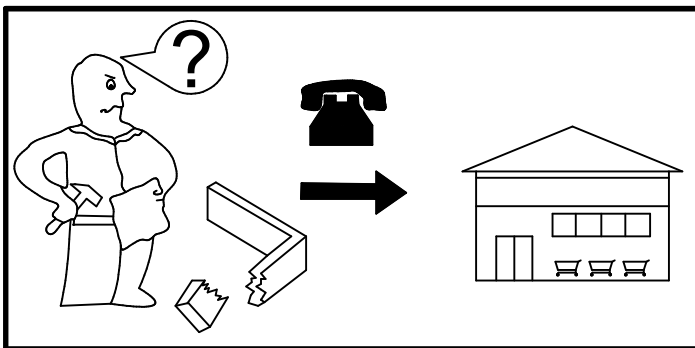
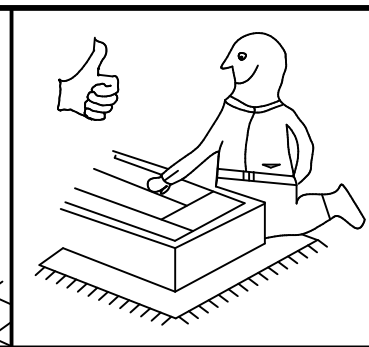
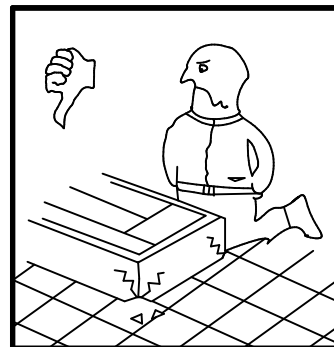
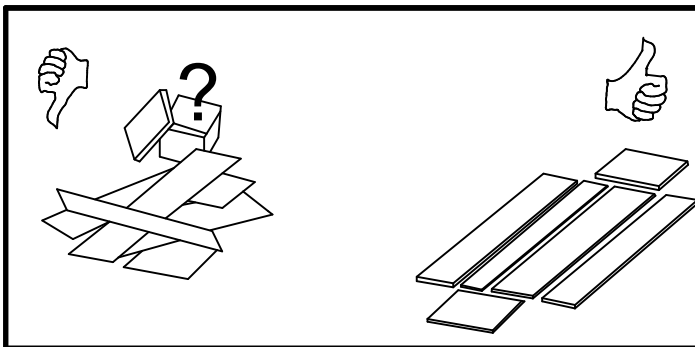
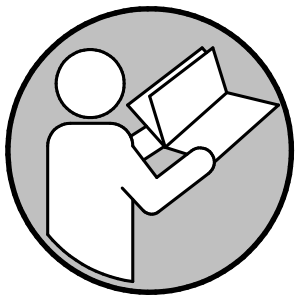
# S616-REG2D2W

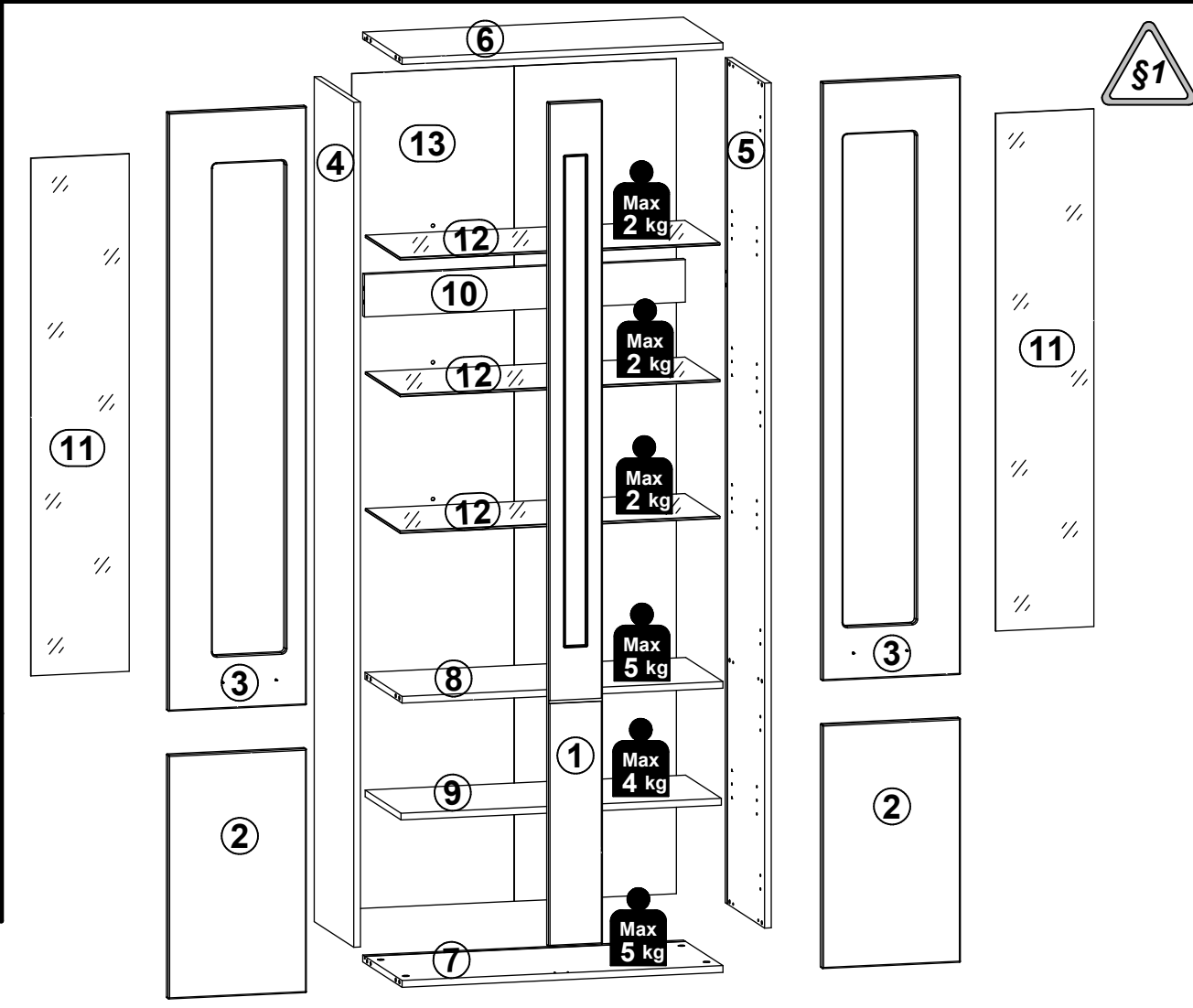
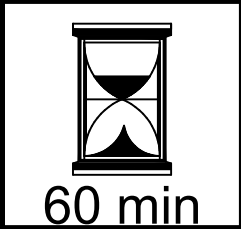
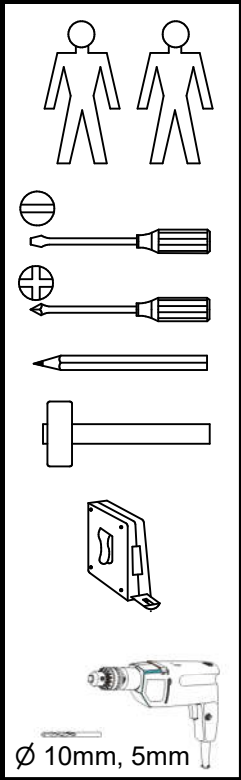


H - 2009,5 mm

W - 800 mm

D - 368 mm

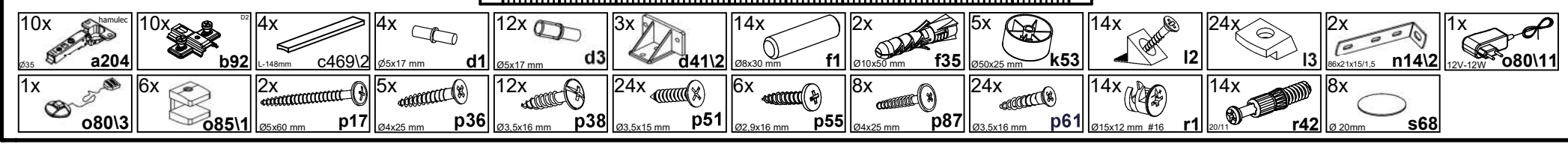




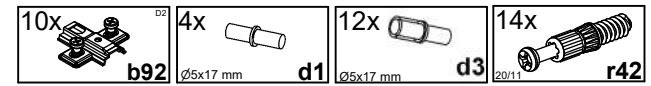
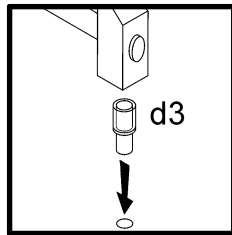
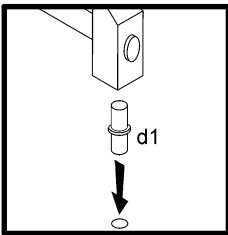
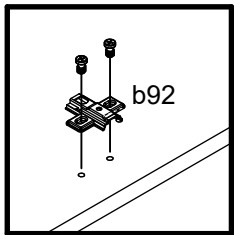
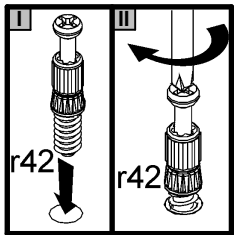
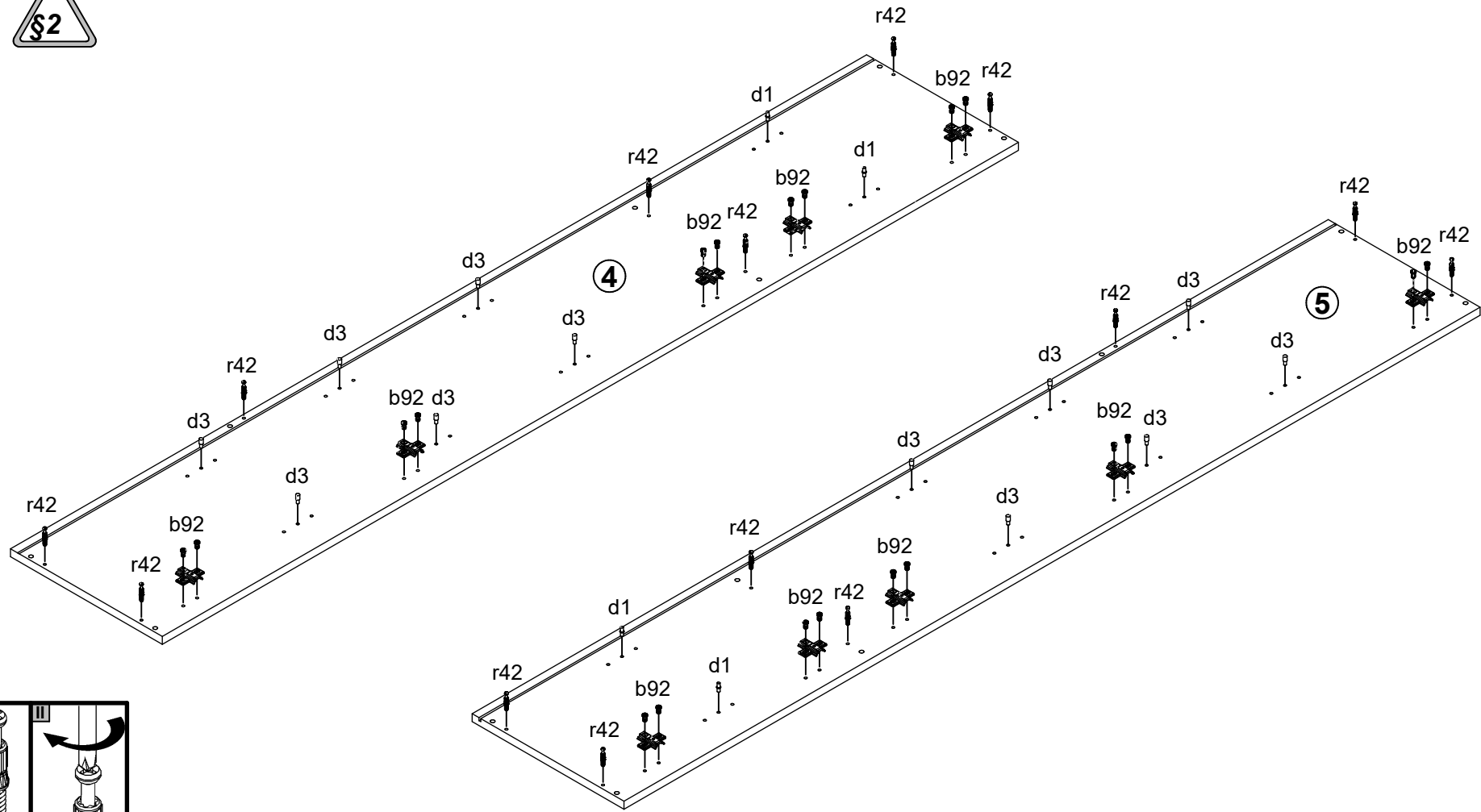
A	B	C (mm)			D
1	S616-0008	1982	129	18	2/3
2	S616-0009	573	331	18	1/3
3	S616-0011	1406	331	18	3/3
4	S616-1011	1985	352	16	2/3
5	S616-1012	1985	352	16	2/3
6	S616-3012	768	352	16	1/3
7	S616-3013	768	352	16	1/3
8	S616-3014	768	332	16	1/3
9	S616-3015	767	320	16	1/3
10	S616-4003	768	100	16	1/3
11	S616-5004	1216	235	4	3/3
12	S616-5005	766	310	6	3/3
13	S616-9301	1962	777	2,5	2/3



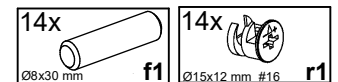
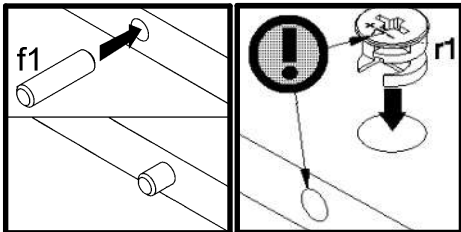
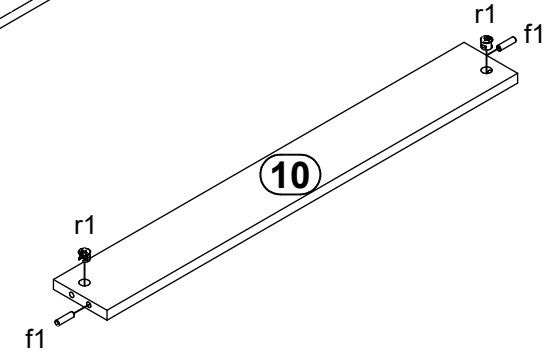
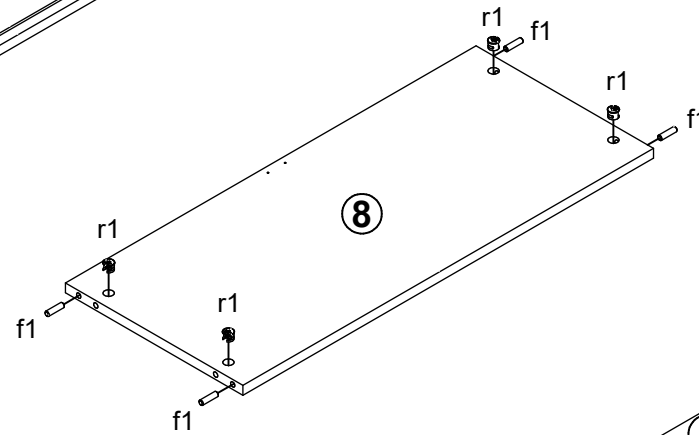
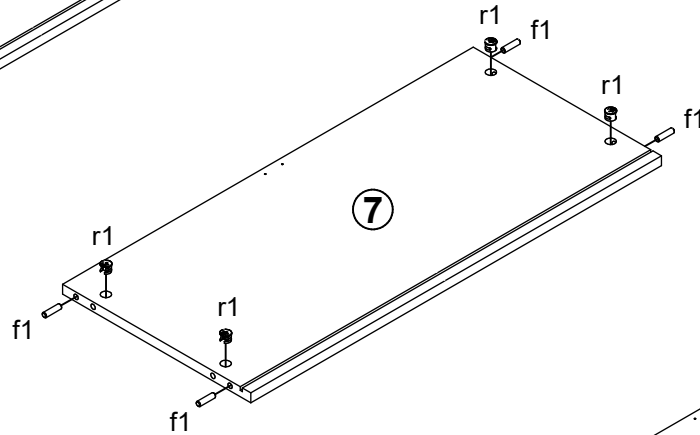
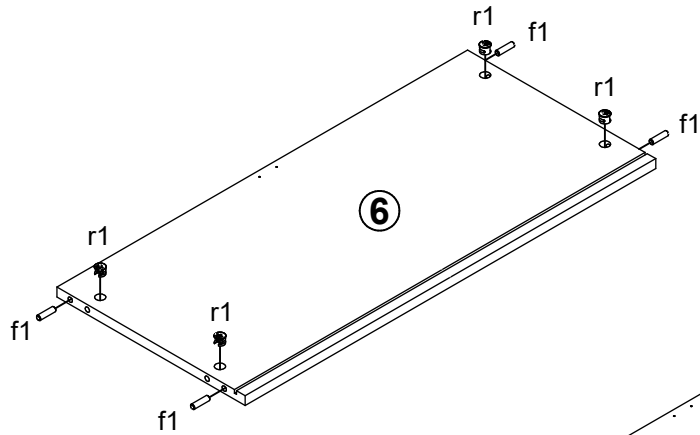
D
1/3



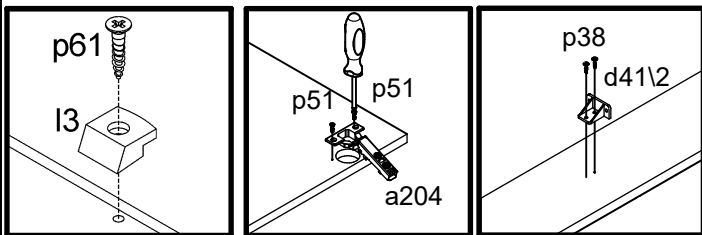
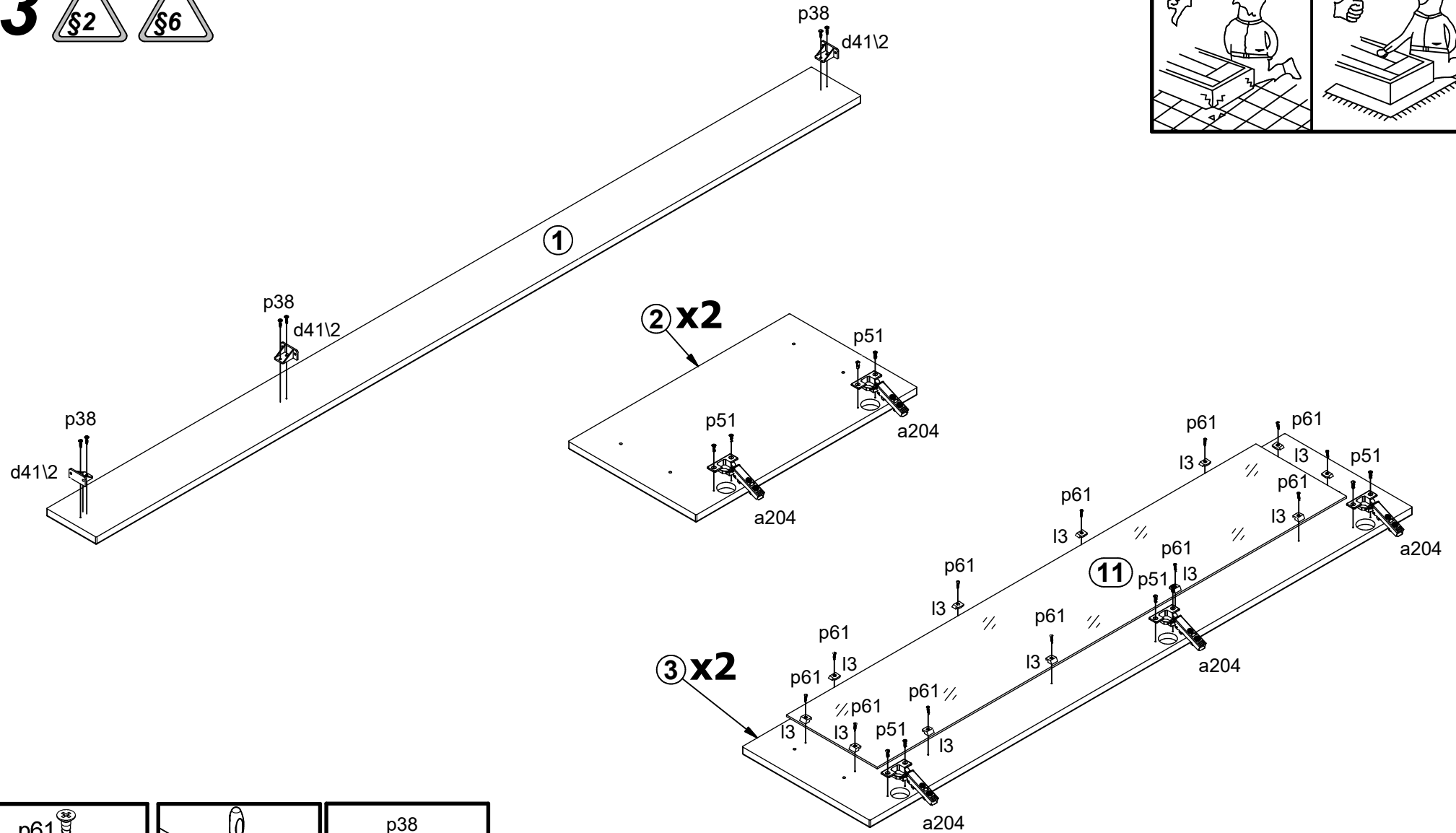
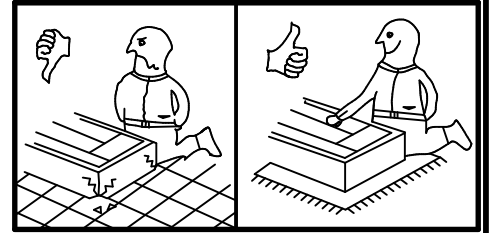
1 §2



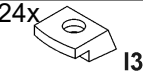





2 



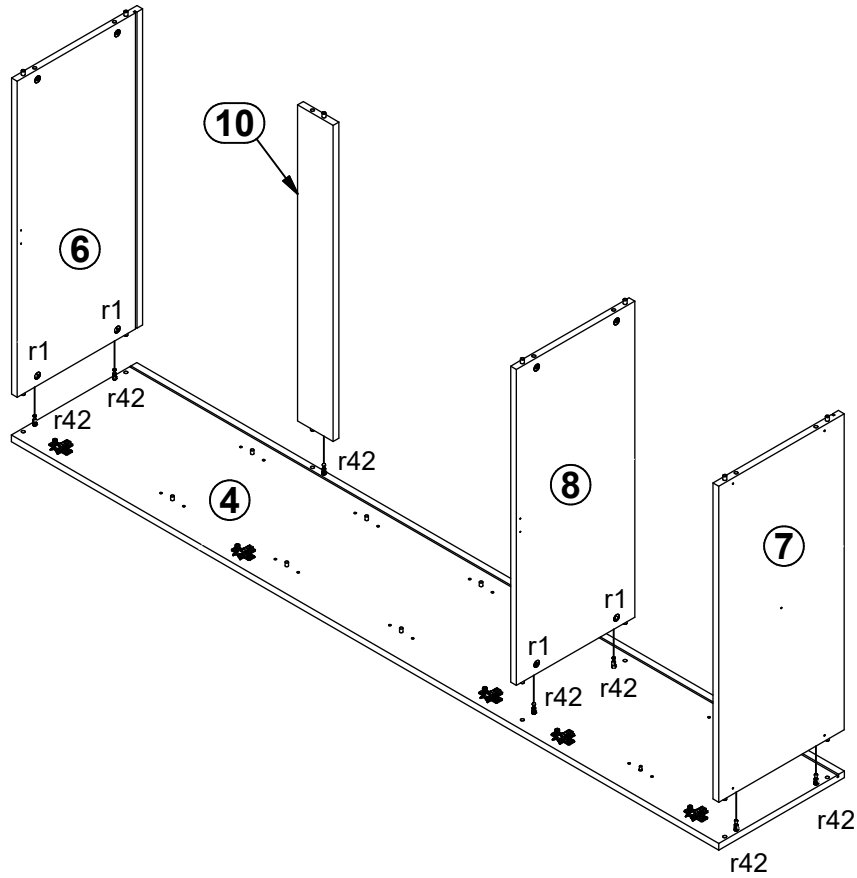
3 §2 §6



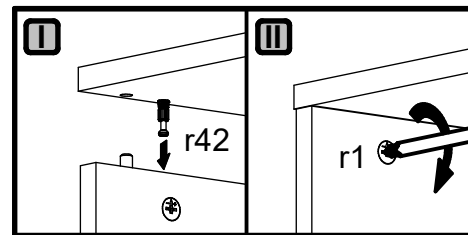
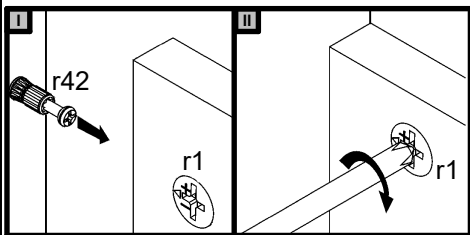
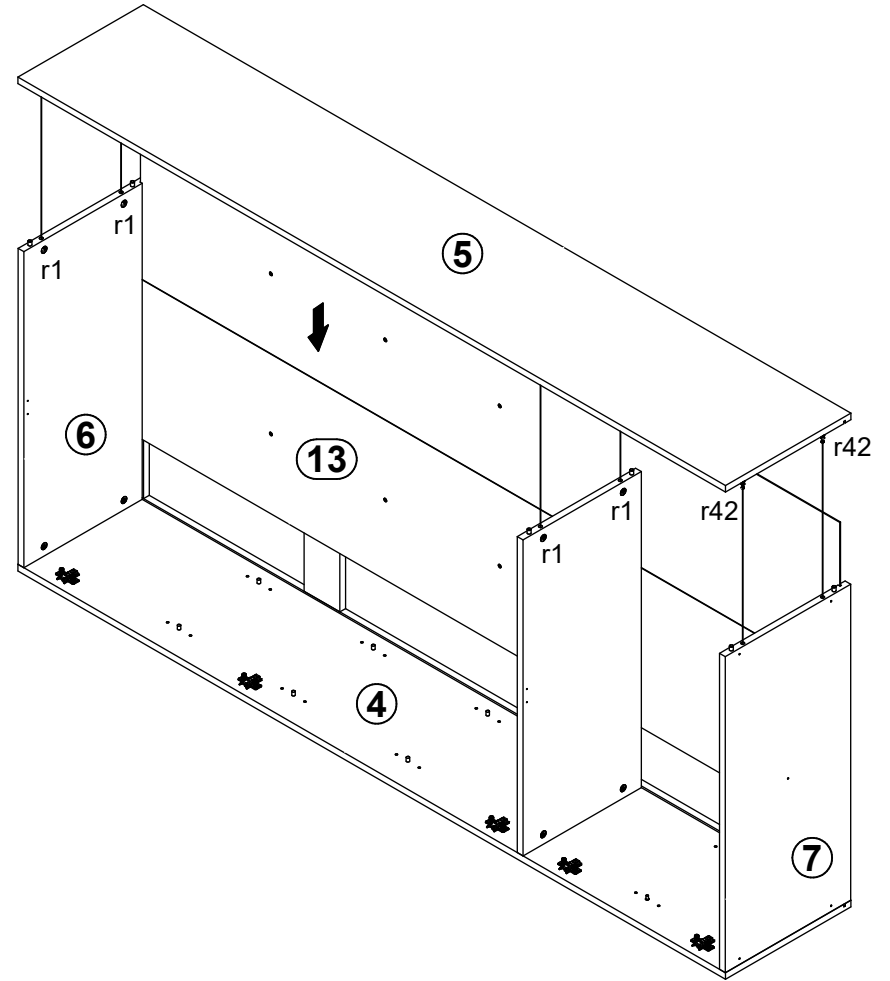
- 10x  hamulec a204
- 3x  d41\2
- 24x  I3
- 6x  p38 Ø3.5x16 mm
- 20x  p51 Ø3.5x15 mm
- 24x  p61 Ø3.5x16 mm

**4** 

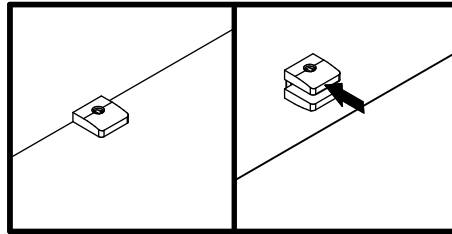
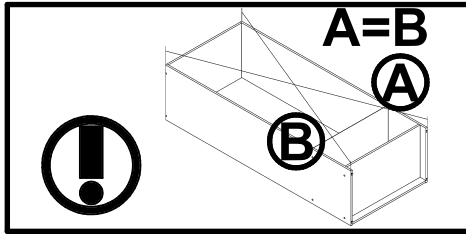
**I**



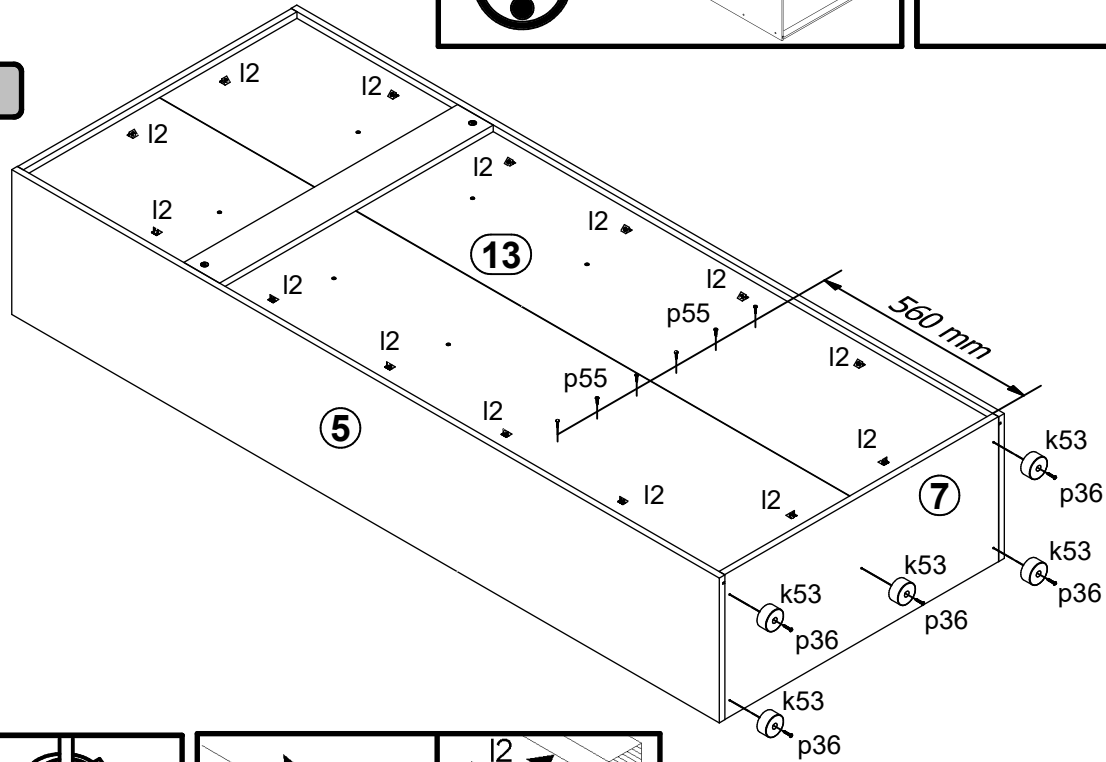
**II**



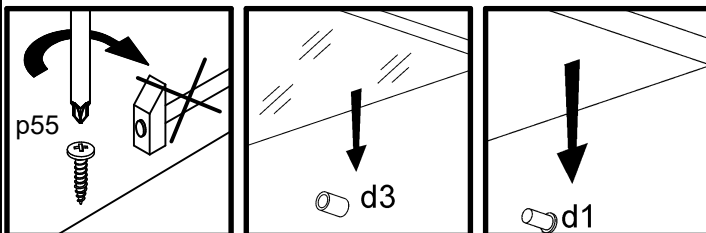
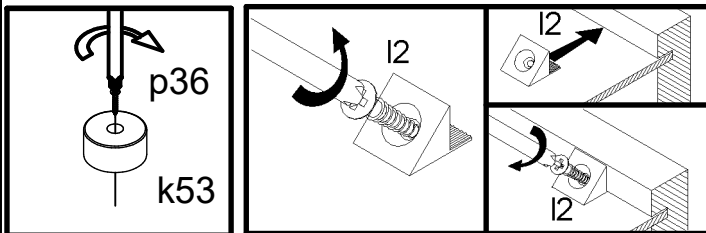
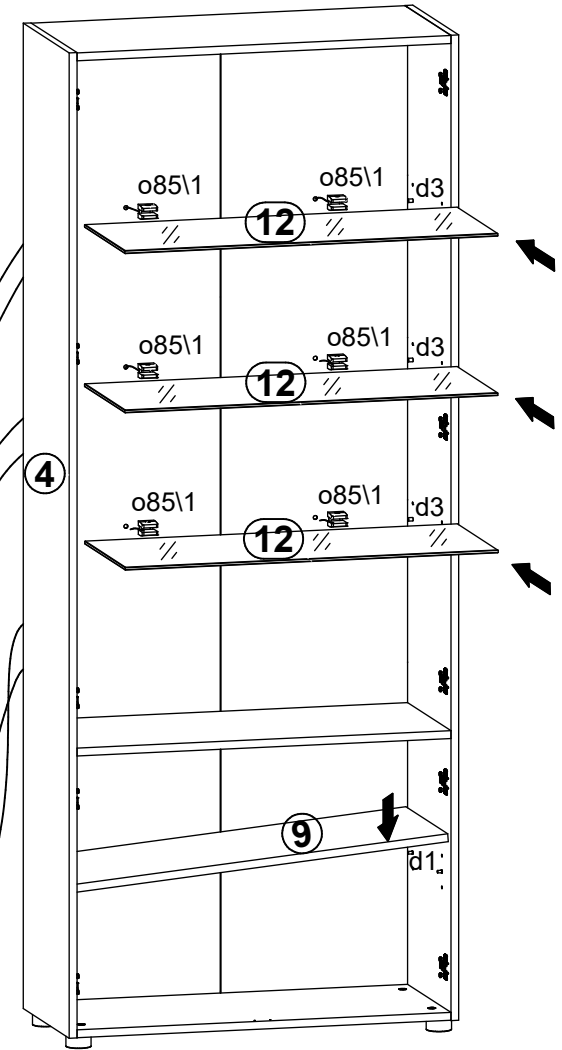
5  


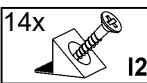
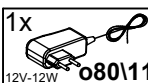
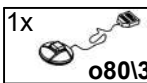

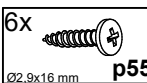
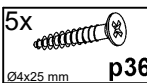


I



II



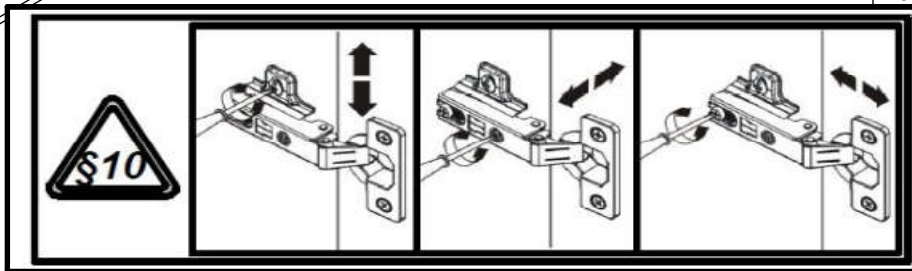
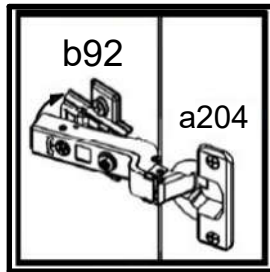
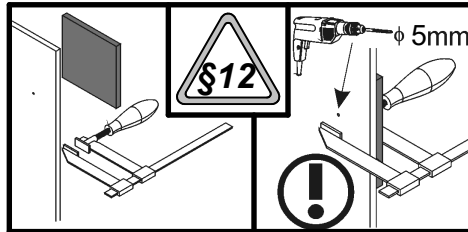
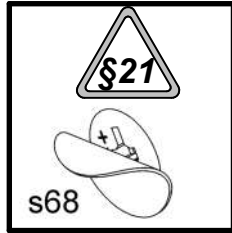
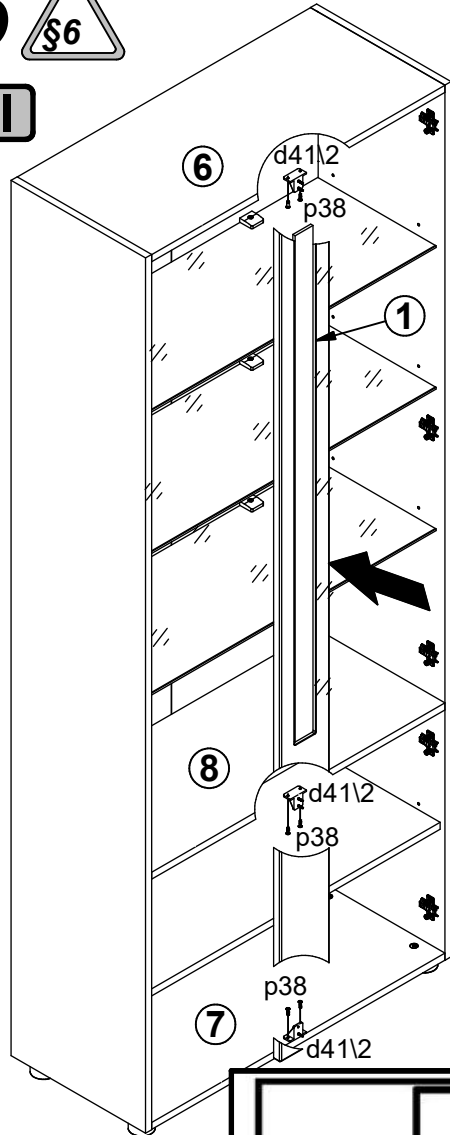
- 5x  k53  $\varnothing 50 \times 25$  mm
- 14x  l2
- 1x  12V-12W o80\11
- 1x  o80\3
- 6x  o85\1
- 6x  p55  $\varnothing 2.9 \times 16$  mm
- 5x  p36  $\varnothing 4 \times 25$  mm



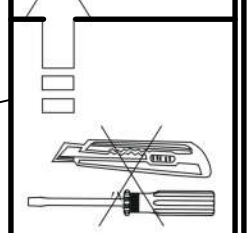
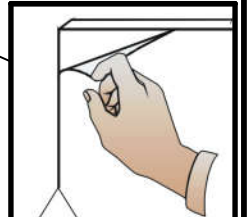
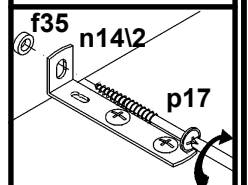
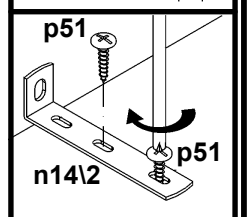
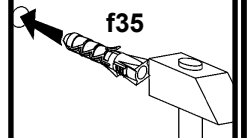
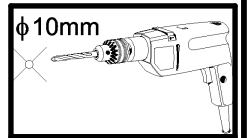
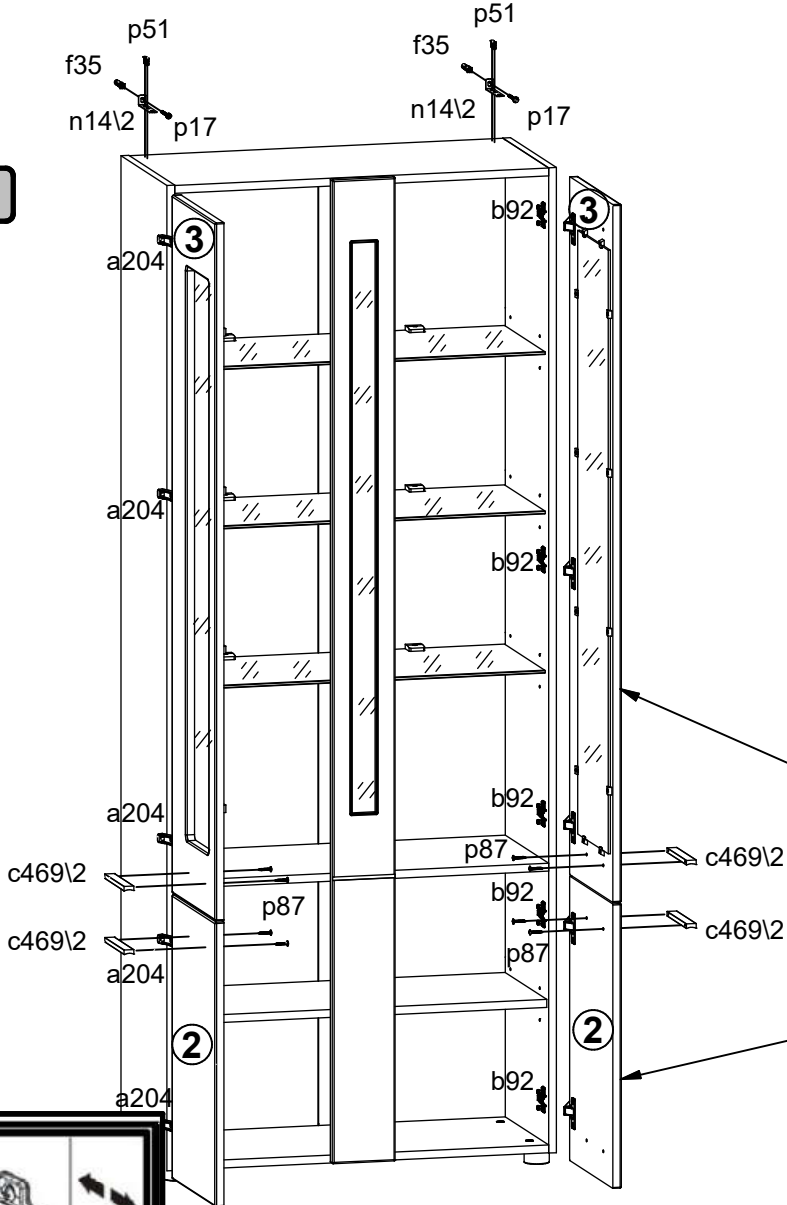
# 6



## I



## II



4x L-148mm c469/2	2x Ø10x50 mm f35	2x 88x21x15/1.5 n14/2	2x Ø5x60 mm p17
6x Ø3.5x16 mm p38	4x Ø3.5x15 mm p51	8x Ø4x25 mm p87	8x Ø 20mm s68

7

