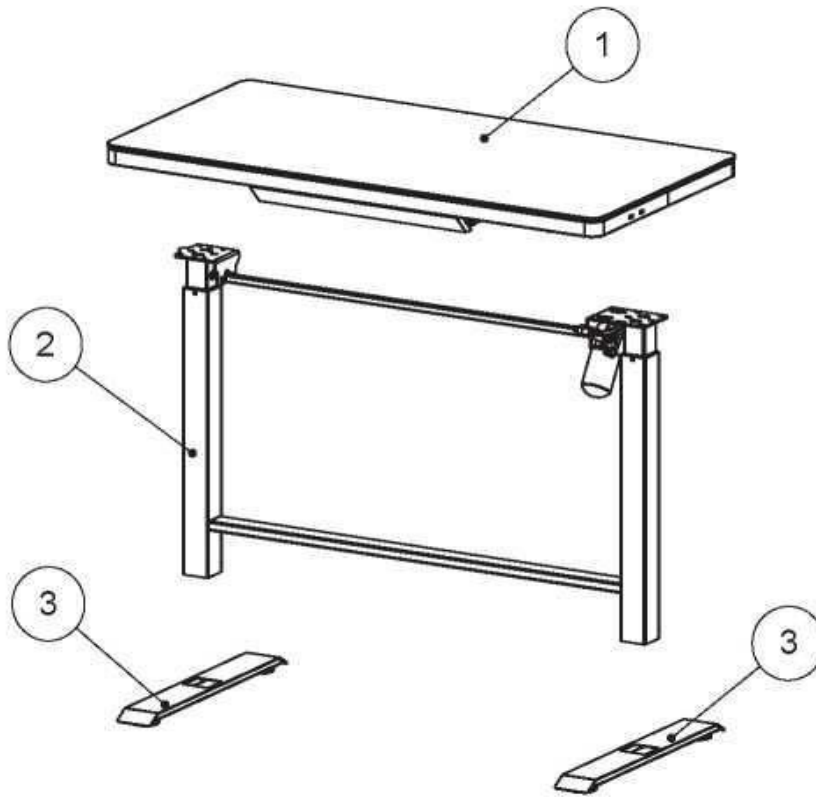


LIFT4HOME Assembly Instruction

INSTALLATION INSTRUCTION



HARDWARE INCLUDED

A QTY:8



M6*10

B QTY:8



M8*20

TOOLS INCLUDED



M5

TOOLS REQUIRED



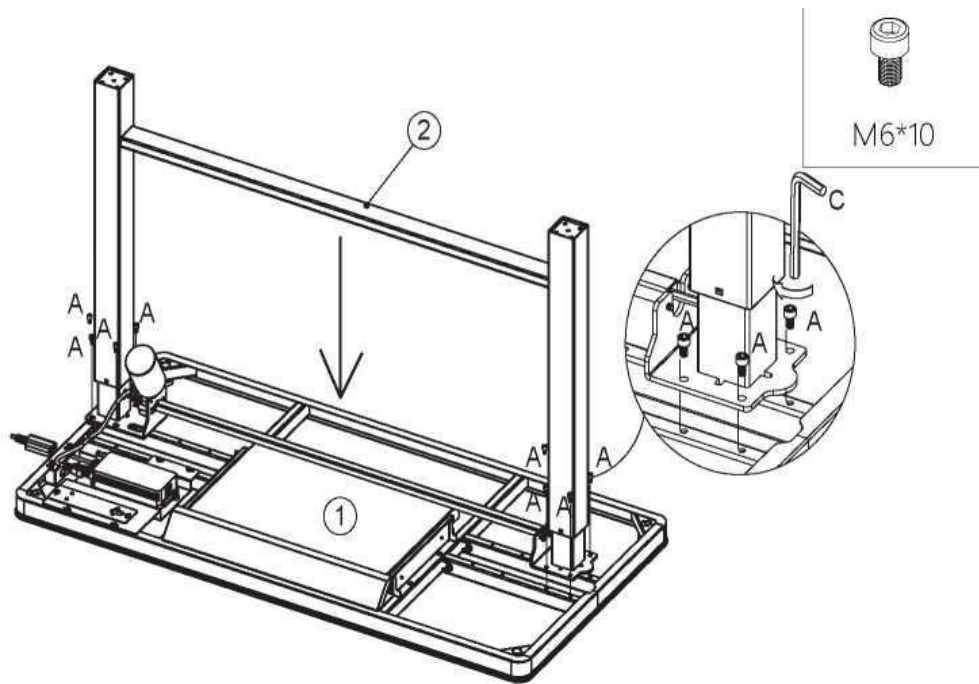
OR



INSTALLATION INSTRUCTION

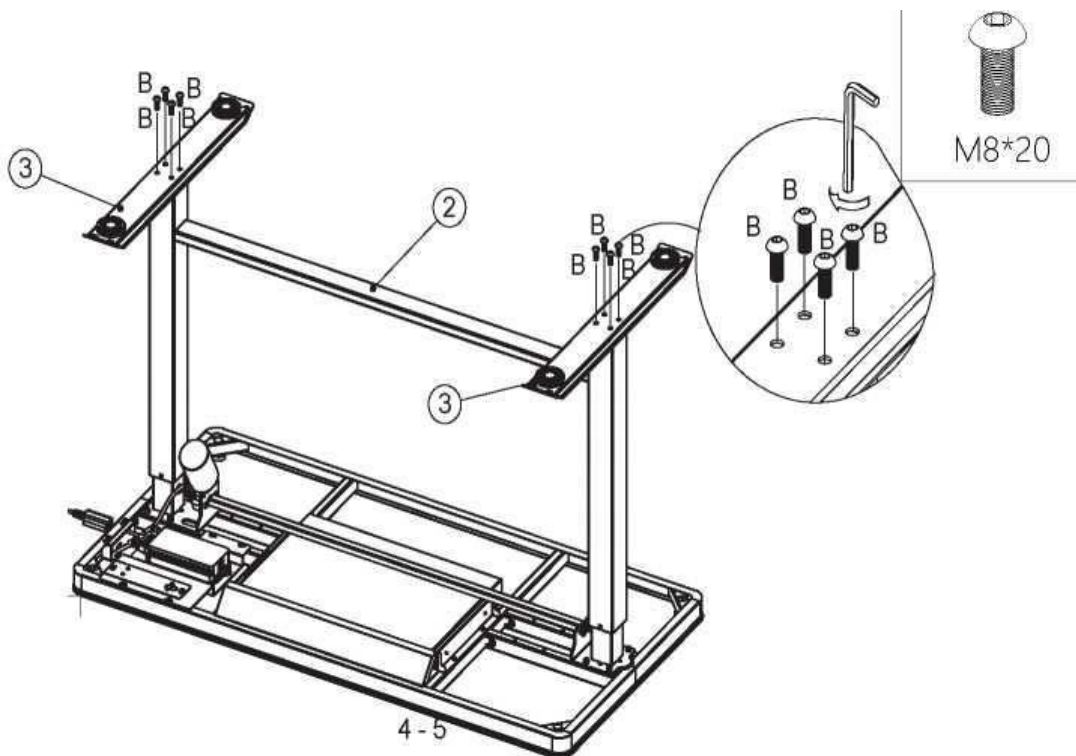
STEP 1

A

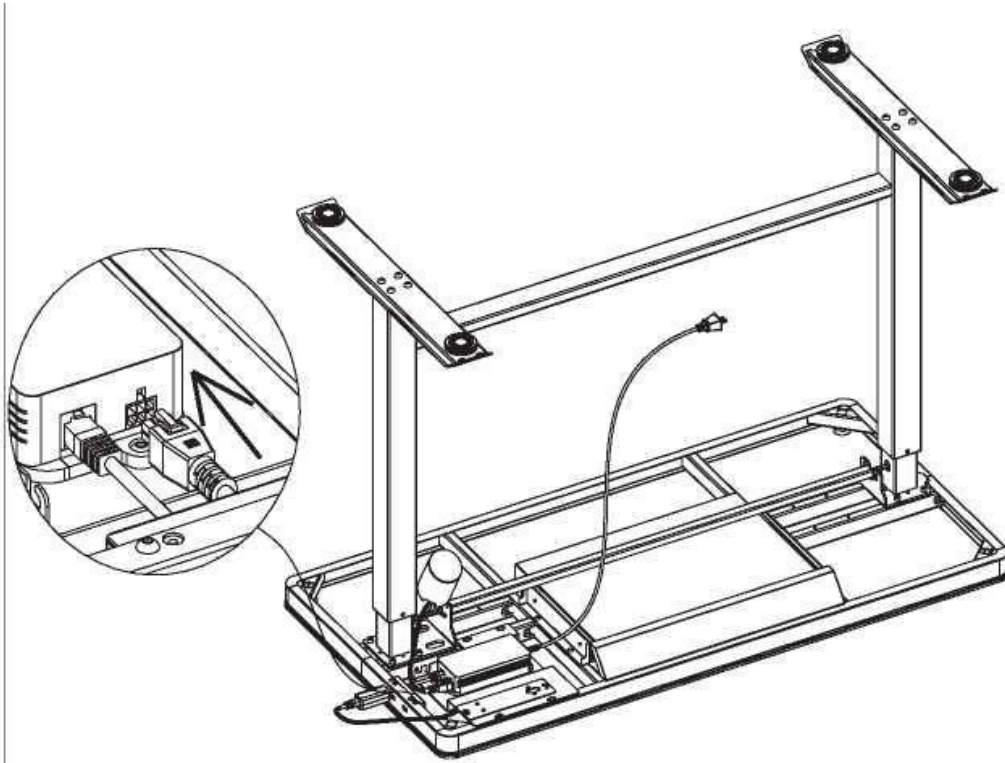


STEP 2

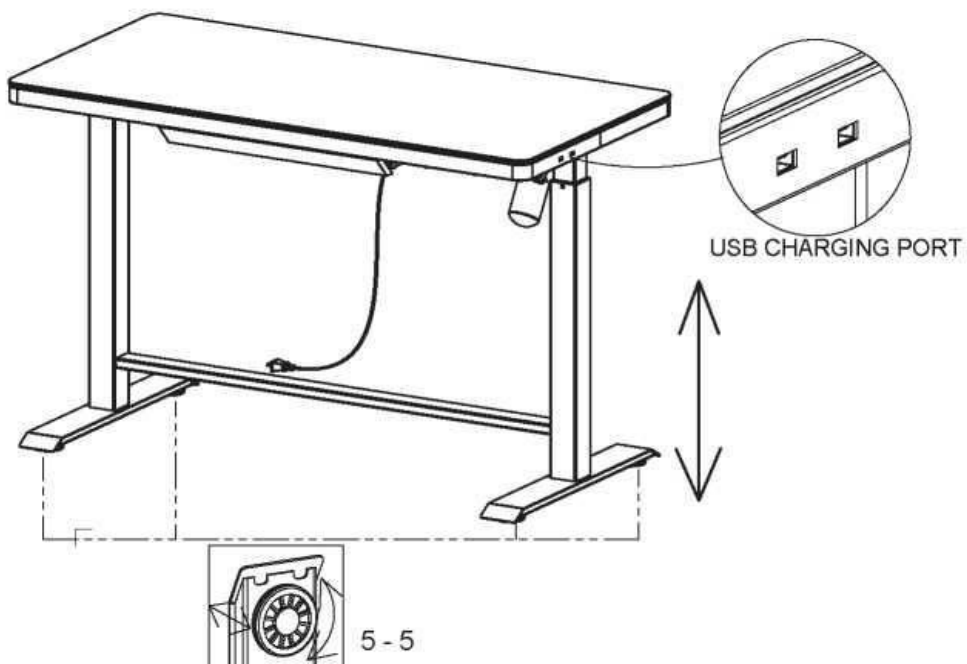
B



STEP 3



STEP 4



DIRECTIONS FOR USE



Up&Down key Display Screen Memory key Set key

The whole handset surface is a touch panel. If there is no touch within 10 seconds, the screen is locked and all keys are locked correspondingly. You can touch "⊙" keys to unlock screen. When screen lightened, all keys unlocked and handset enter operation state.

■ **Up & Down Keys**

Please keep pressing UP/DOWN key to adjust desk height until you get an optimum height.

■ **Display Screen**

Display the height value of the desk.

■ **Memory Key (人/人)**

After setting memory keys, the desk can lift automatically to memory height.

※ How to set memory mode

Please keep touching "人/人" key for 5 seconds, until "di" sound, the memory height is successfully saved. Then light touch "人/人", the desk moves to memory height automatically.

■ **Set Key (⊙)**

Light touch "⊙" key. Desk height moves to 72cm automatically that is the optimum height for human body.

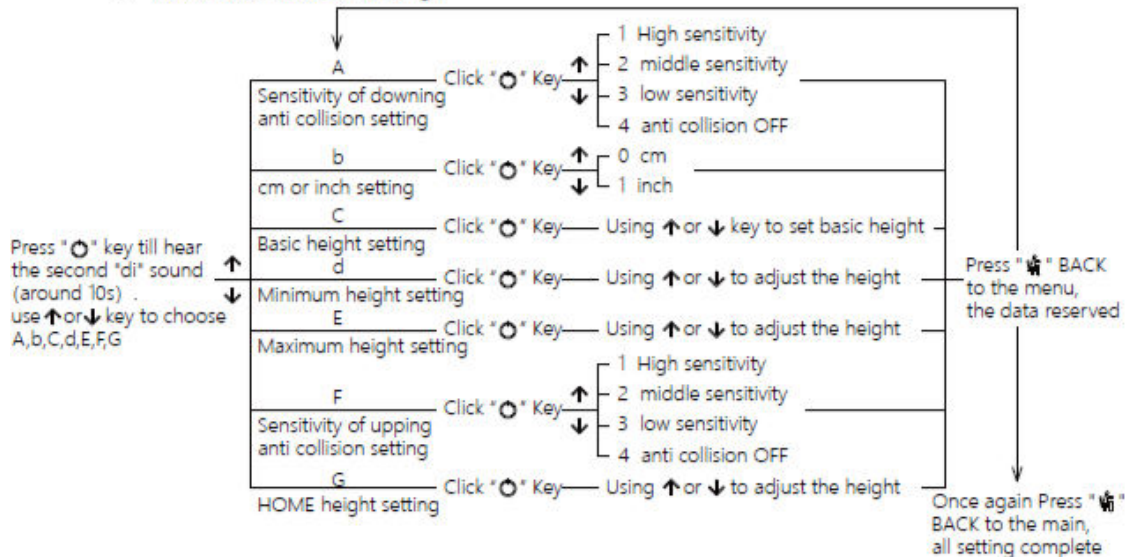
■ **Safety Function**

When the desktop is on the rise or down, encountered reverse resistance, the desk will rebound.

■ **Handset shows error code and solution**

Error code	Fault cause	Solution
ER1	Motor stop	Power off and restart. If fault still exists, it is motor problem.
ER2	Synchro error	Power off (over 20s) and restart. If handset display RST(DOWN key unlocked), keep touching DOWN key to the lowest normal number.
ER3	Cable fault	Check motor cable off or broken, power off and restart.
ER4	Communication fault	Check cables for handset and controller, power off and restart.
ER5	Overload protection	Lighten loads, power off and restart.
HOT	Run continuously for 2.5 to 5 minutes.	Overload, power protection, automatic recovery after five minutes
RST	Reset reminder	Pressing the down key until reach lowest, screen become normal.

■ **Advanced Function Settings**



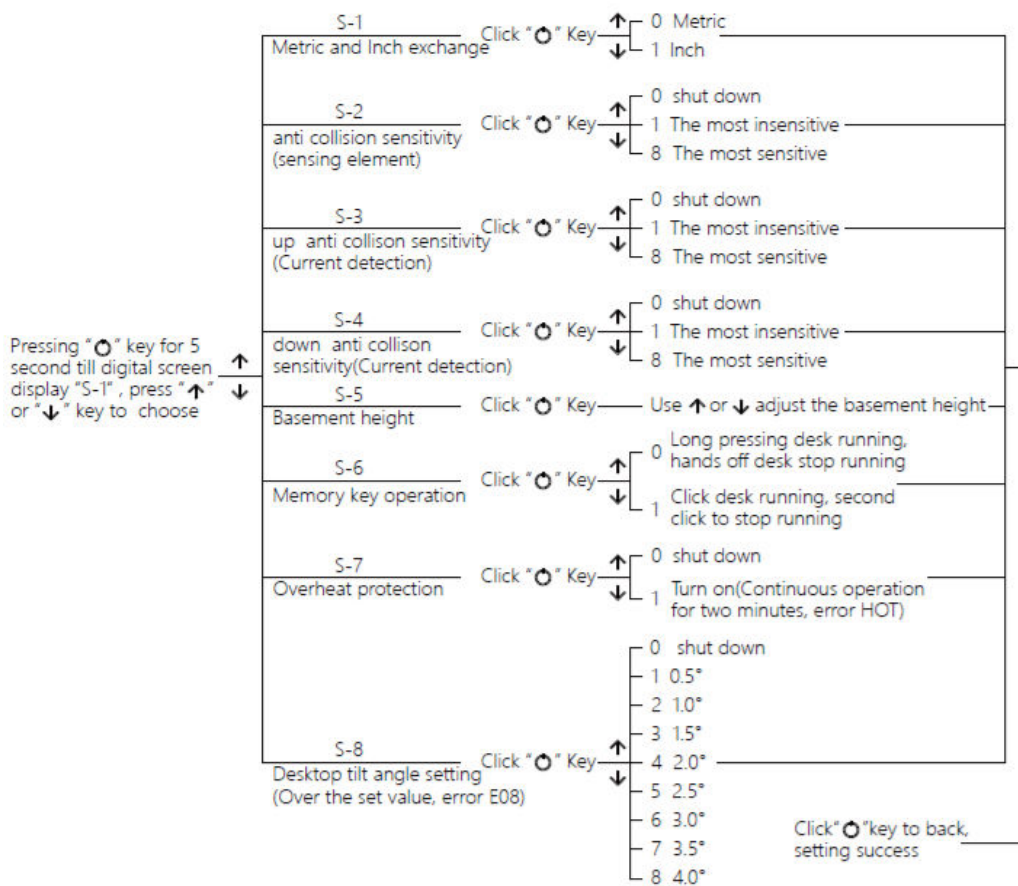
DIRECTIONS FOR USE

■ Advanced Function Settings

Limited height setting: Press " " and " " key for 5 seconds till heard a bee sound , limited height setting success.

(minimum limited height < 96, maximum limited height > 97).

Cancel the function, run to the limit height, press " " and " " again for 5 seconds, hear the buzzer sound, limited height Cancel.



SPECIFICATIONS

Electric control part:

Input Voltage:100-240Vac 50/60Hz

Duty cycle:10%MAX 2min on 18min off

Desk frame part:

Dynamic load:60KG

The maximum static load:80KG

Safety warning

- 1.Please read this manual carefully before use.
- 2.The product must be connected to the correct power supply.
- 3.For any accessories connected to the control box, the plug type and electrical characteristics must conform to its specifications.
- 4.Indoor use only.
- 5.If the transformer's external cable is damaged and need to be replaced,new accessory will be provided by the manufacturer or its service agent