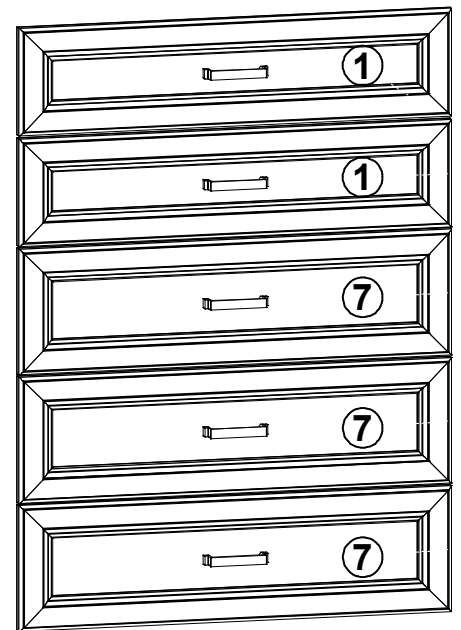
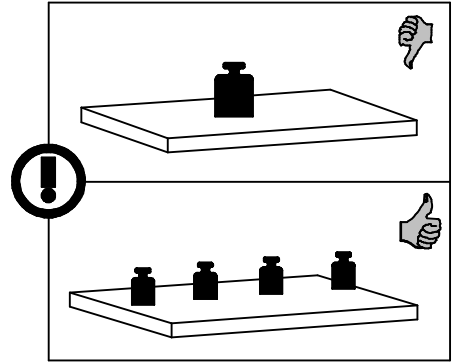
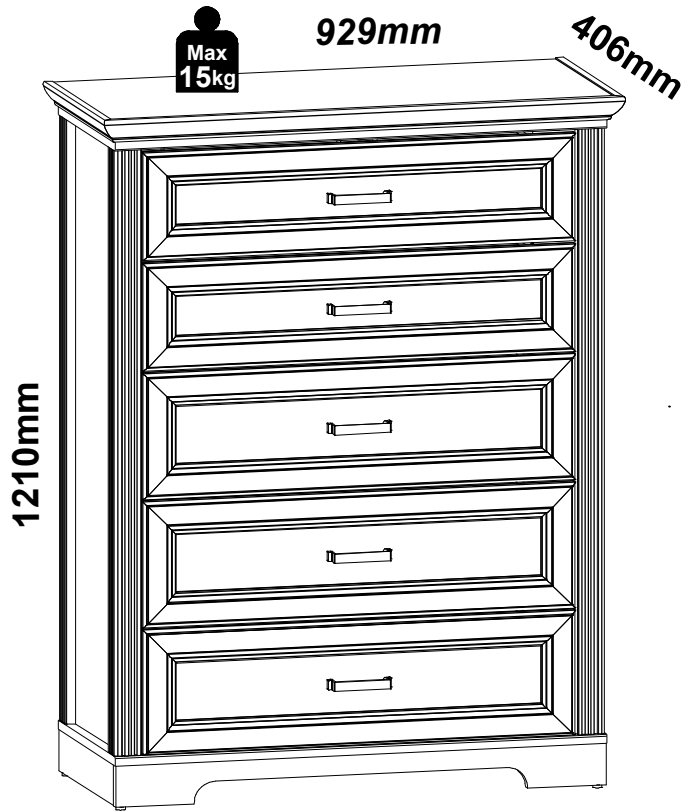


A	B1	B2	C1	C2	C3	D
1	S713-0009	-1	770	188	22	3\3
2	M261-2003	-5	929	406	43	1\3
3	M261-4101	-2	840	72	16	2\3
4	M261-4102	-2	363	72	16	2\3
5	M261-4103	-2	363	72	16	2\3
6	M261-4151	A.2	874	72	15	2\3
7	S713-0002	-4	770	220	22	3\3
8	S713-1003	-	1058	353	16	2\3
9	S713-1004	-	1058	353	16	2\3
10	S713-2001	-2	876	380	16	1\3
11	S713-2002	-3	876	380	16	1\3
12	S713-5001	-2	1058	49	49	2\3
13	S713-5002	-1	1058	43	19	2\3
14	S713-9301	-1	1068	815	2,5	2\3
15	WSQ2-5003	-10	300	110	12	2\3
16	WSQ2-5004	-9	300	110	12	2\3
17	STQ-5231	-	728	97	15	2\3
18	WDF-9171	-	738	308	2,5	2\3
19	WSQ3-5003	-7	300	140	12	2\3
20	WSQ3-5004	-7	300	140	12	2\3
21	STQ-5232	-	728	127	15	2\3

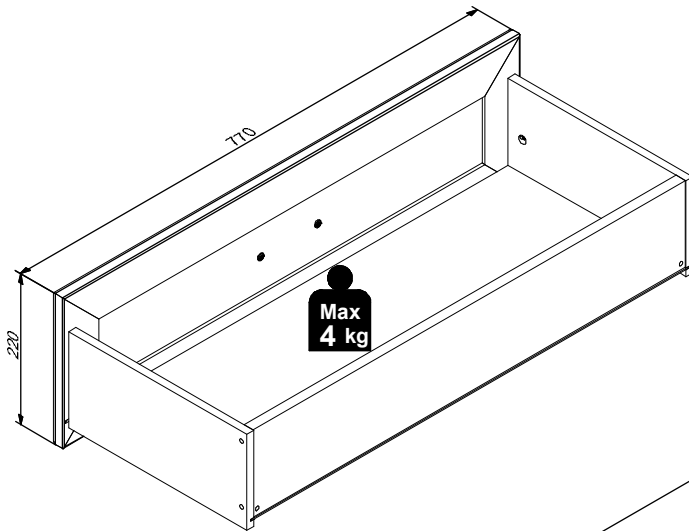


5x c453	1x d41\2	4x Ø7x50 mm e1	7x Ø7x28 mm e22	60x Ø6x13 mm e3	40x Ø8x30 mm f1	20x Ø6.5x40 mm f25	10x M4x12 mm j3
4x k1	8x l2	1x 36x21x15\1.5 n14\2	5x Ø3.5x12 mm p140	12x Ø4x30 mm p21	11x Ø3.5x15 mm p51	40x Ø2.9x16 mm p55	10x Ø12x10.5 mm #12 r15
15x Ø15x12 mm #16 r1	25x 20\11 r42	5x 300 mm t25	5x 300mm w125L	5x 300mm w125P	20x w182	7x Ø14mmx0.5mm s59	1x z1

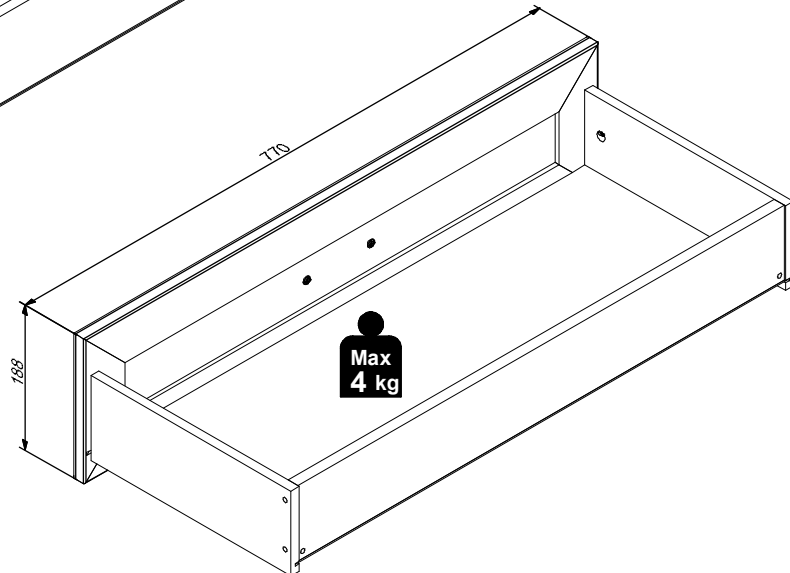


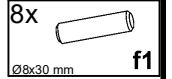
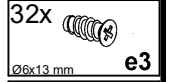
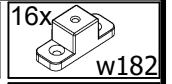


3x

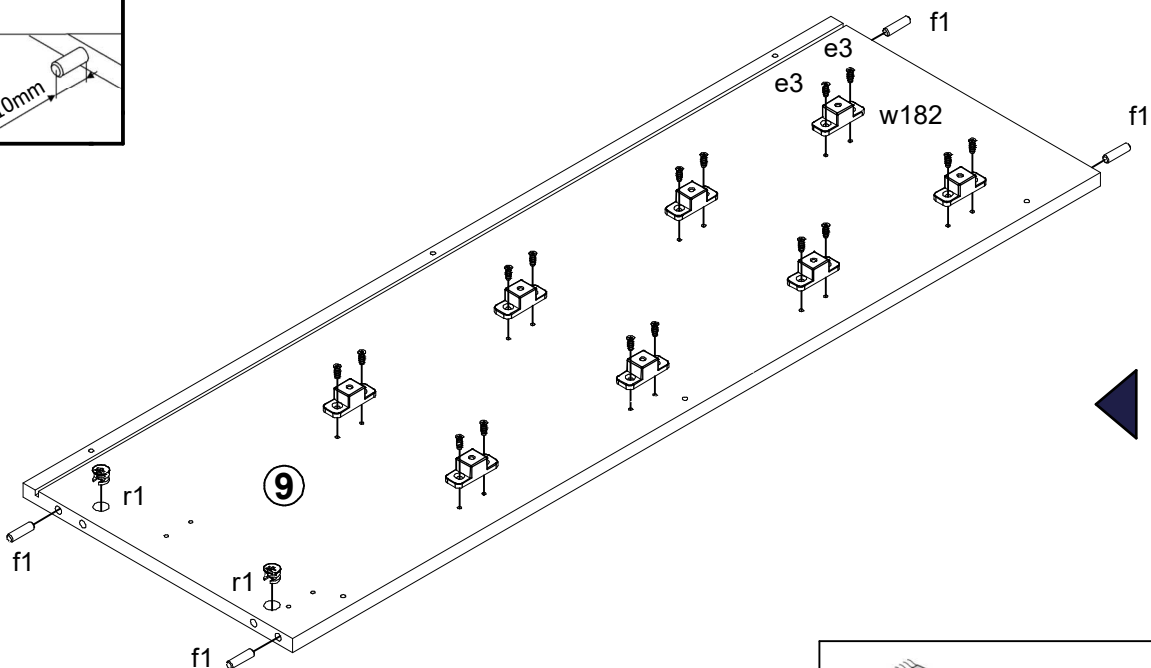
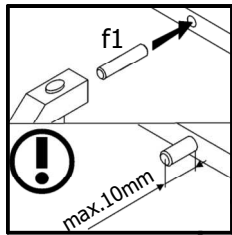
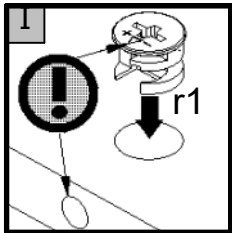
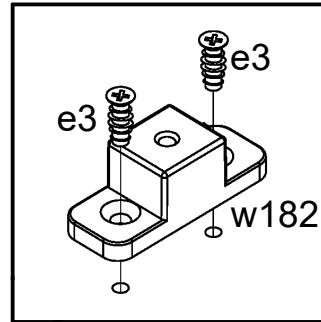
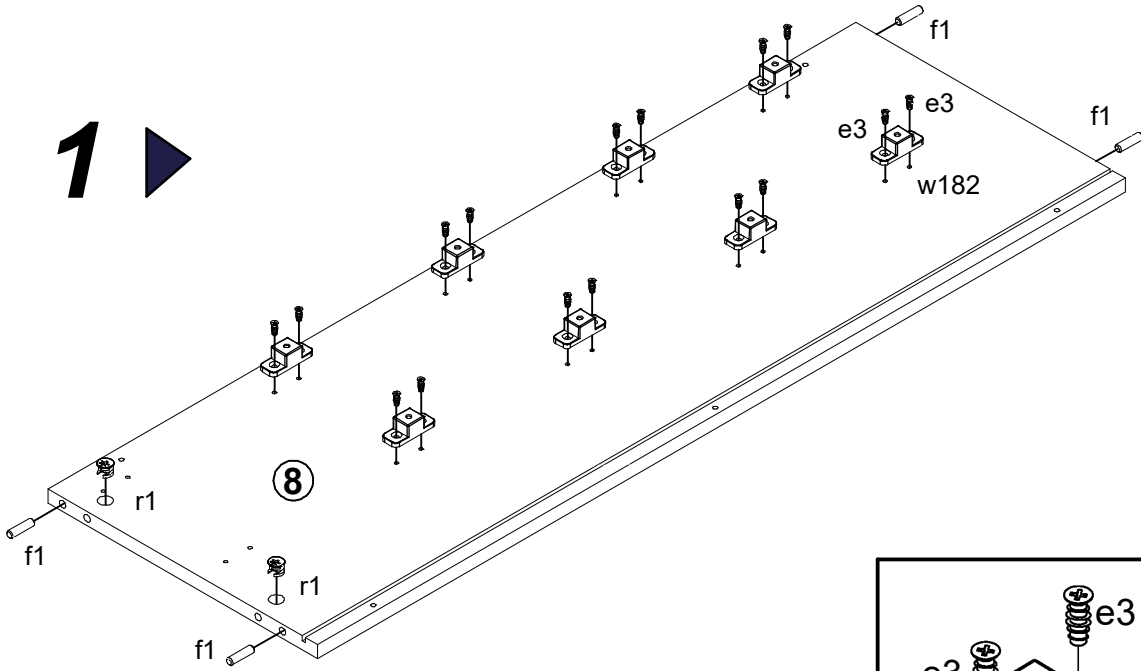


2x

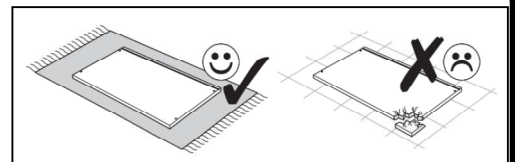




1 ▶



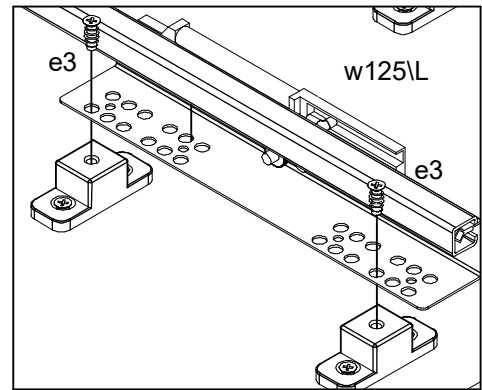
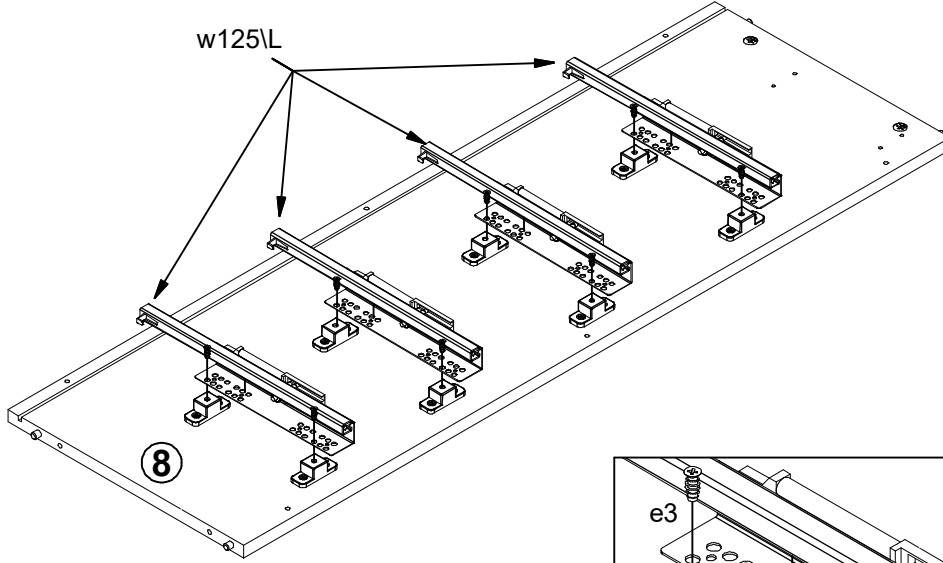
◀ **2**



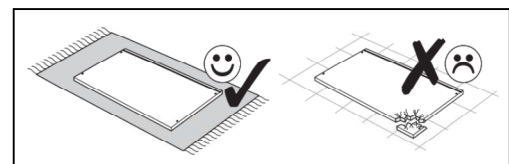
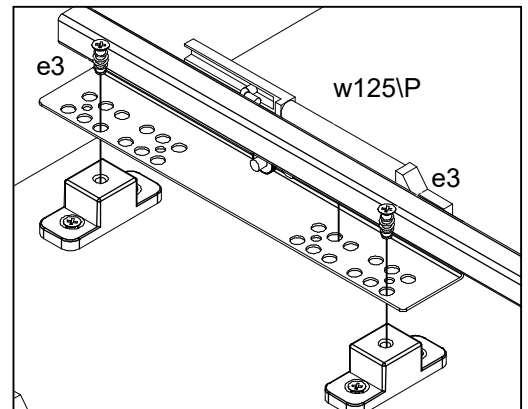
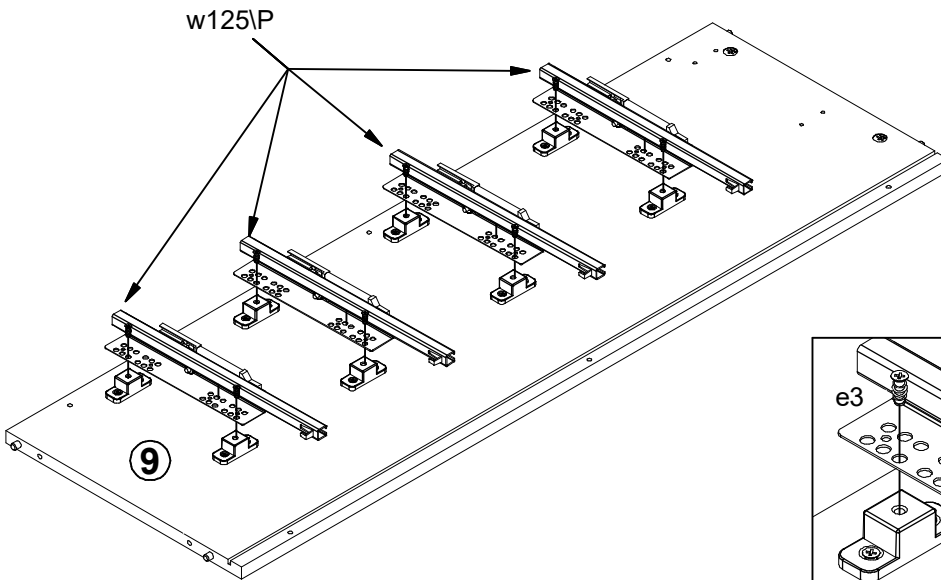


- 16x $\varnothing 6 \times 13 \text{ mm}$ e3
- 4x 300mm W125\P
- 4x 300mm W125\L

3 ▶

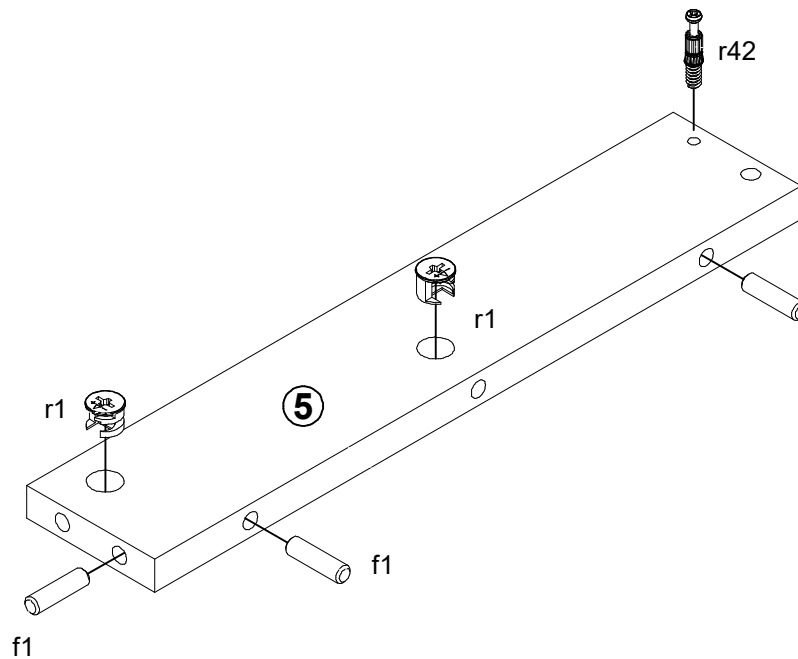
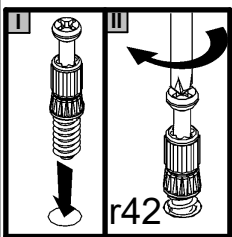
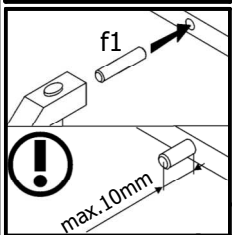
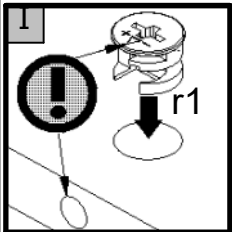
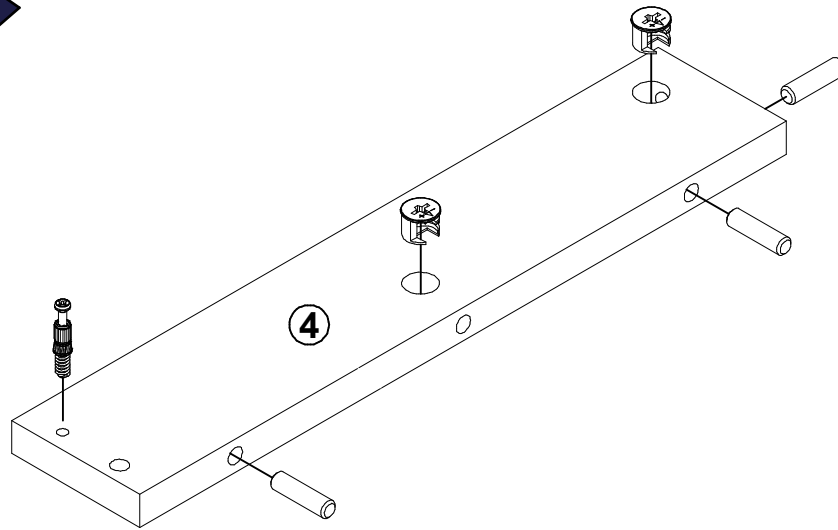


4 ▶

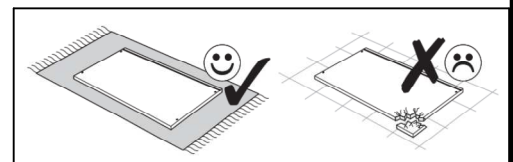


6x Ø8x30 mm f1	4x Ø15x12 mm #16 r1	2x 20/11 r42
----------------------	---------------------------	--------------------

5 ▶

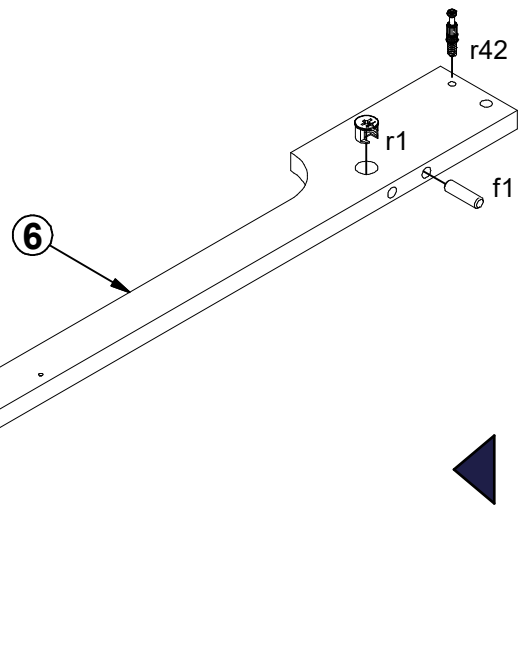
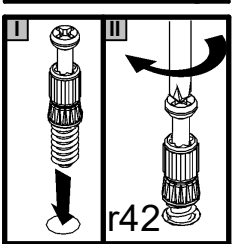
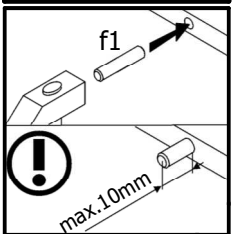
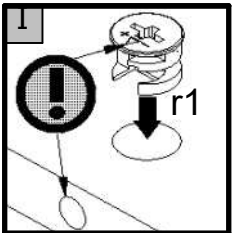
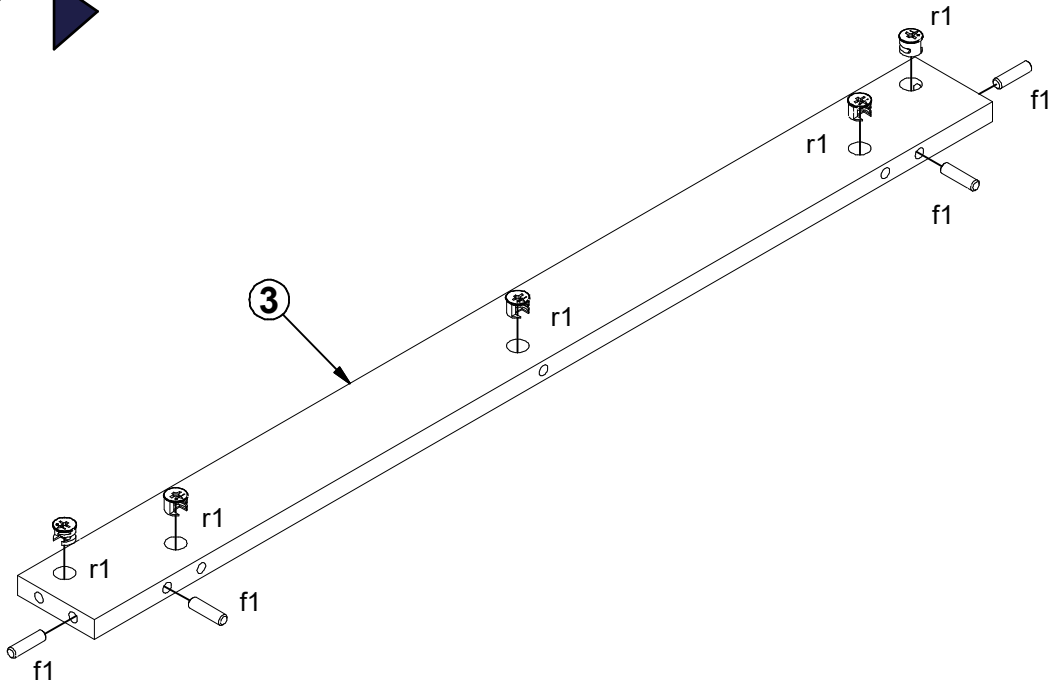


◀ 6

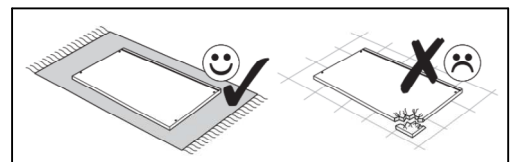


6x Ø8x30 mm f1	7x Ø15x12 mm #16 r1	2x 2011 r42
----------------------	---------------------------	-------------------

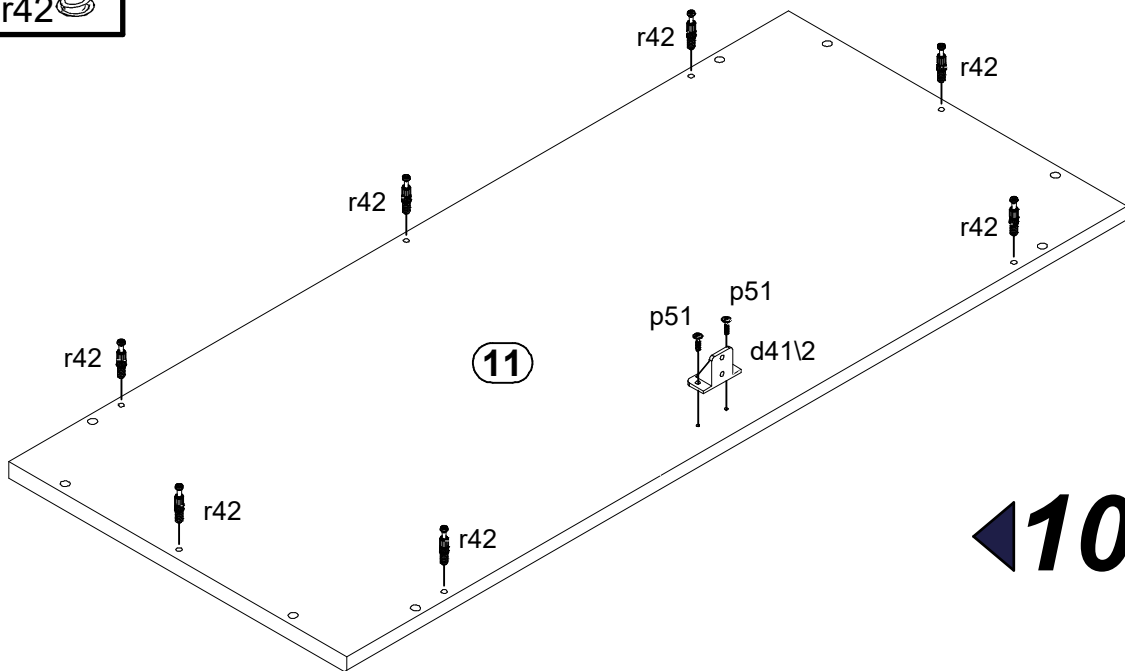
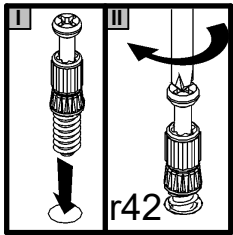
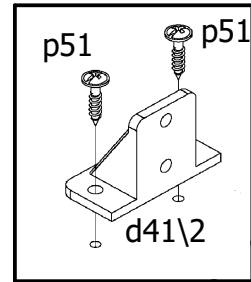
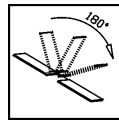
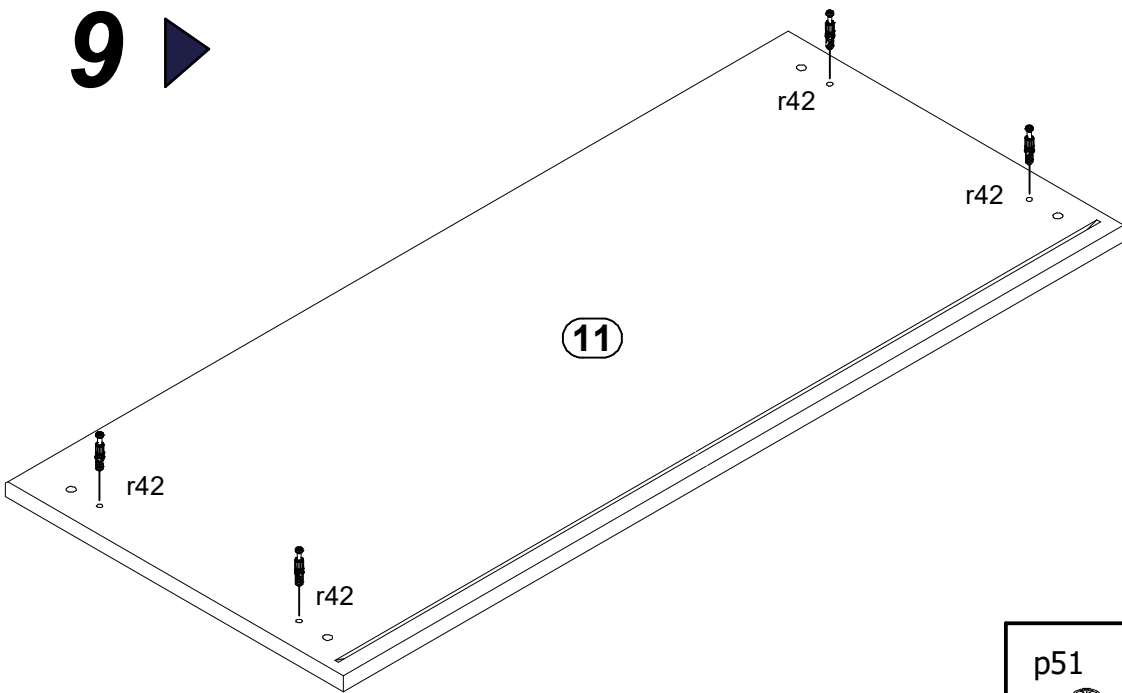
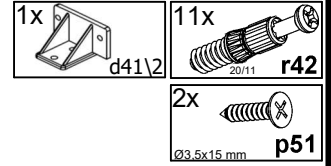
7 ▶



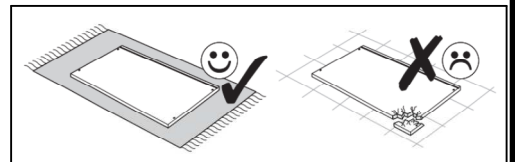
▶ 8



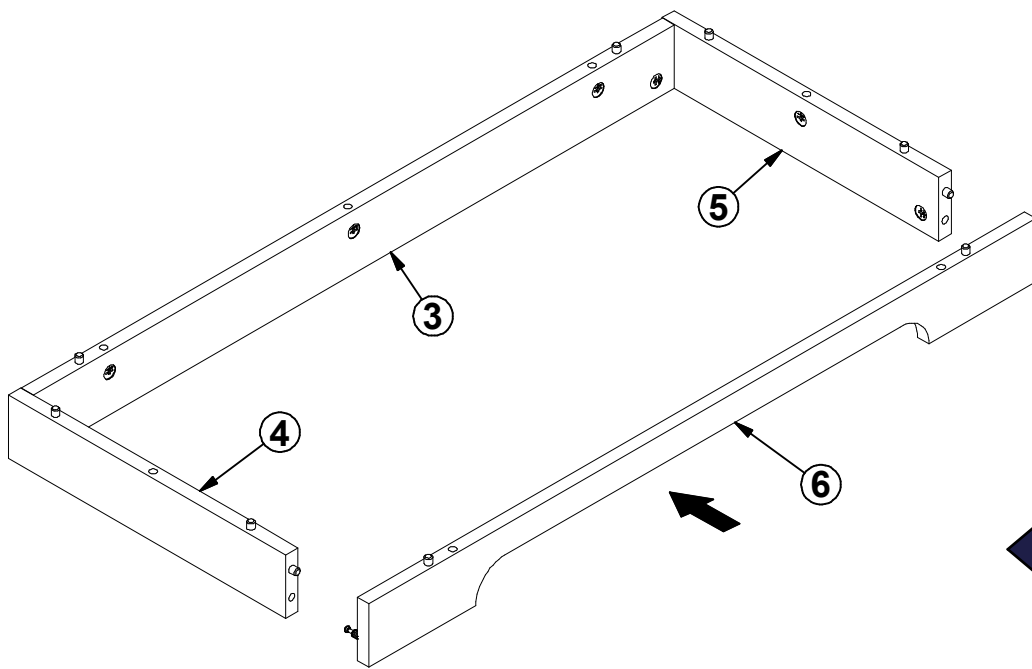
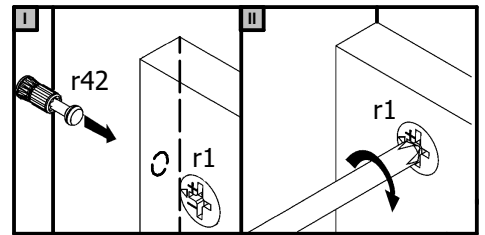
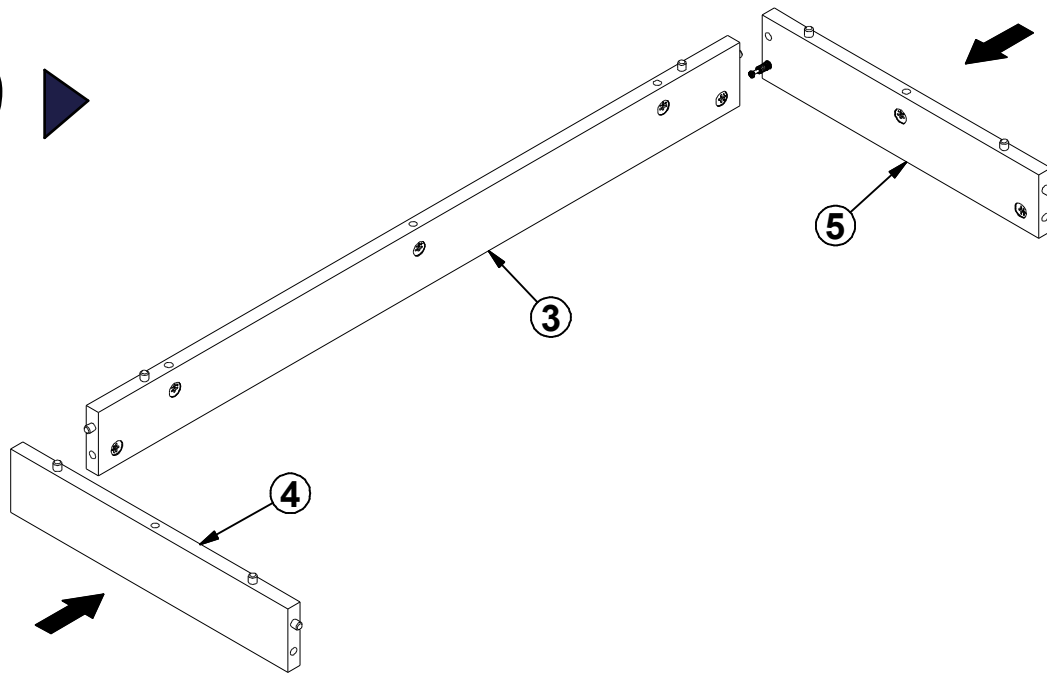
9 ▶



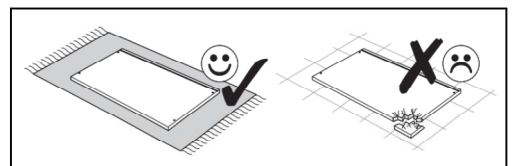
◀ 10



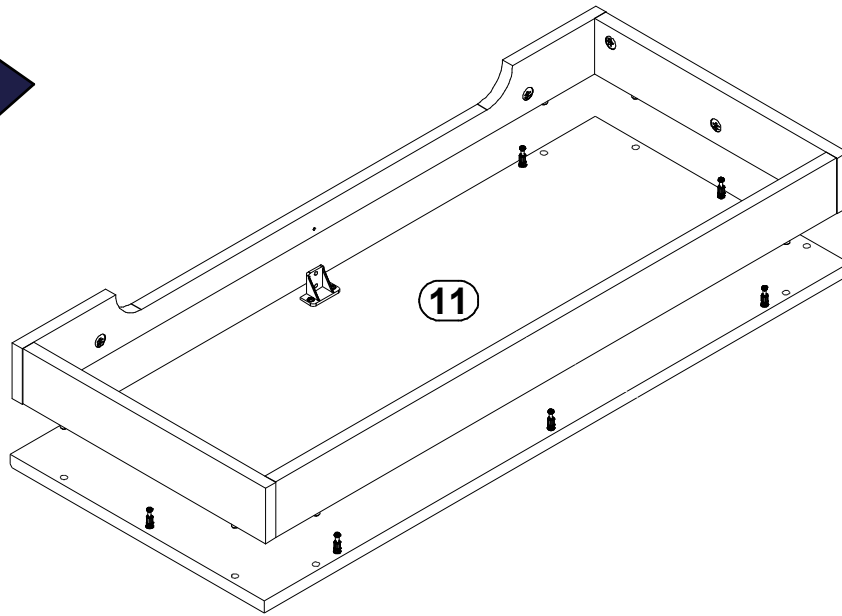
9 ▶

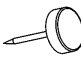



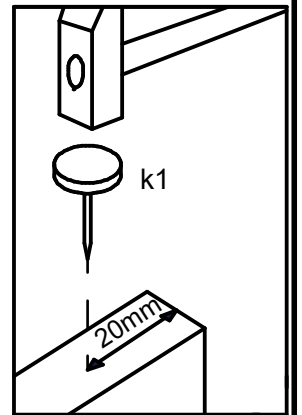
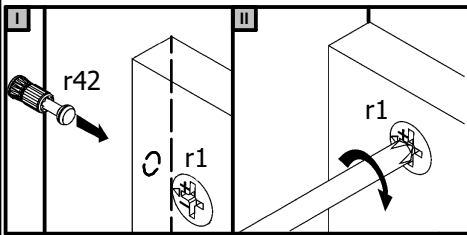
▶ 10



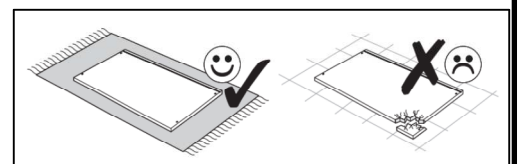
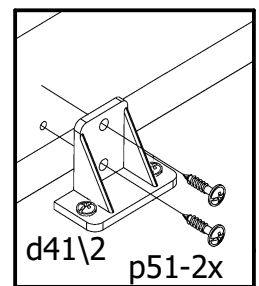
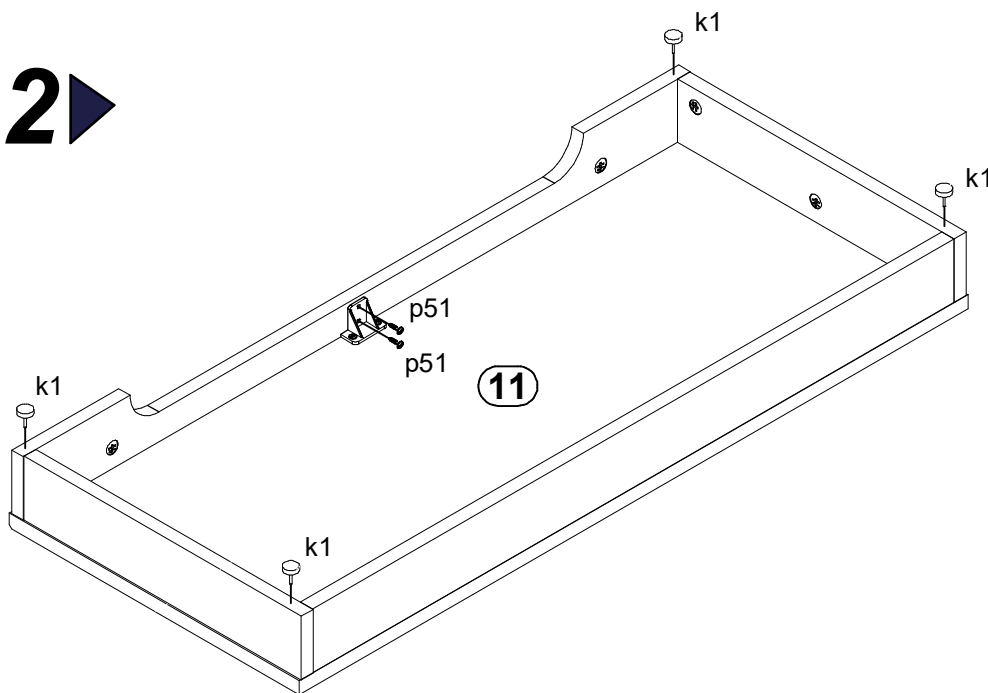
11 ▶

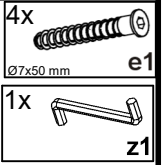


- 4x  k1
- 2x  p51
Ø3.5x15 mm

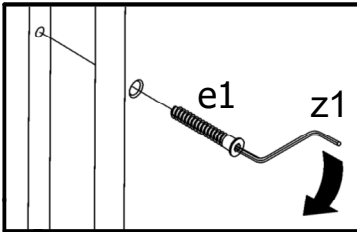
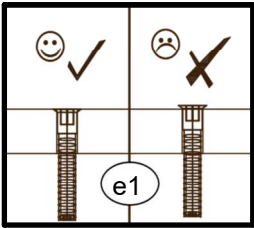
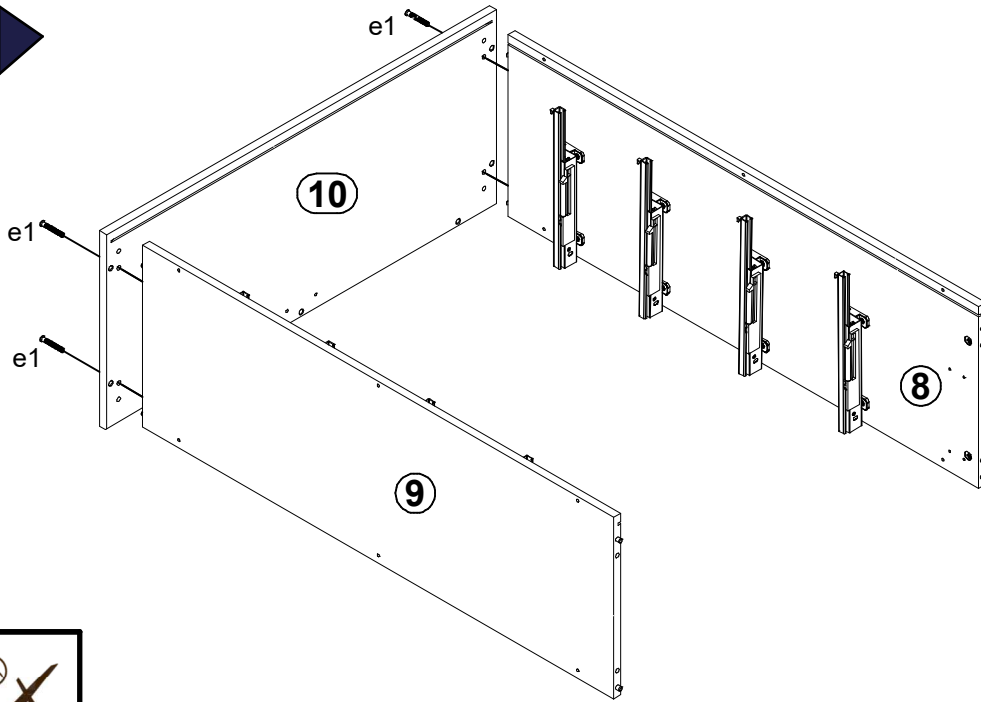


12 ▶

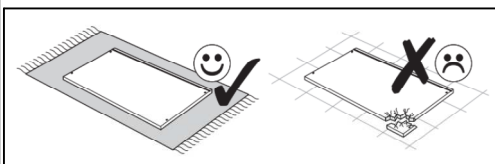
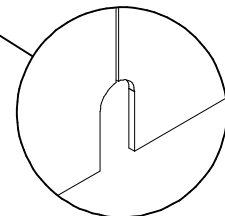
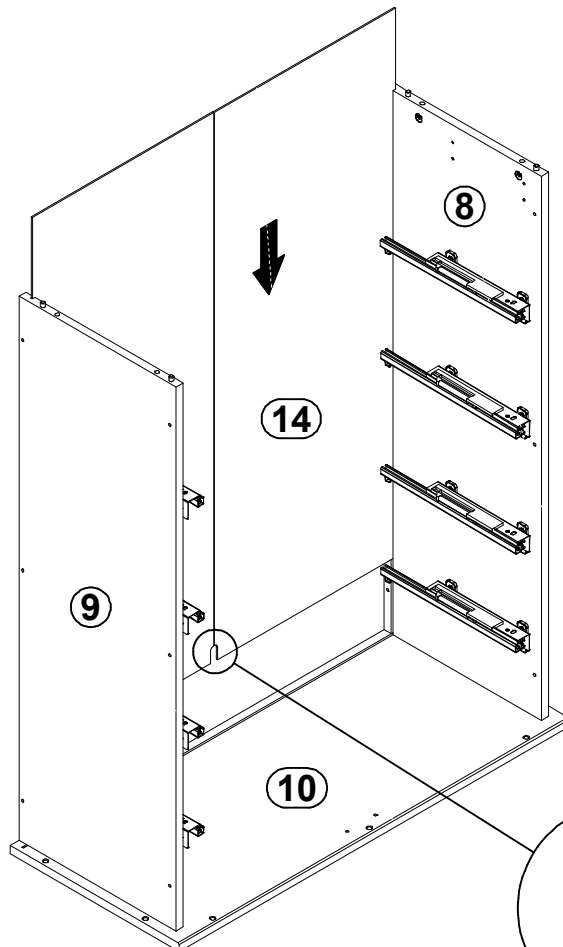


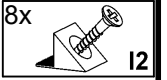


13 ▶

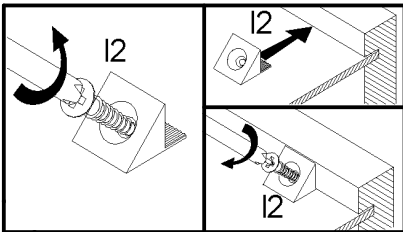
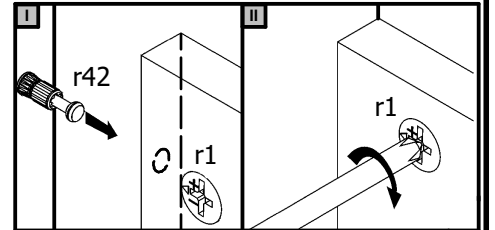
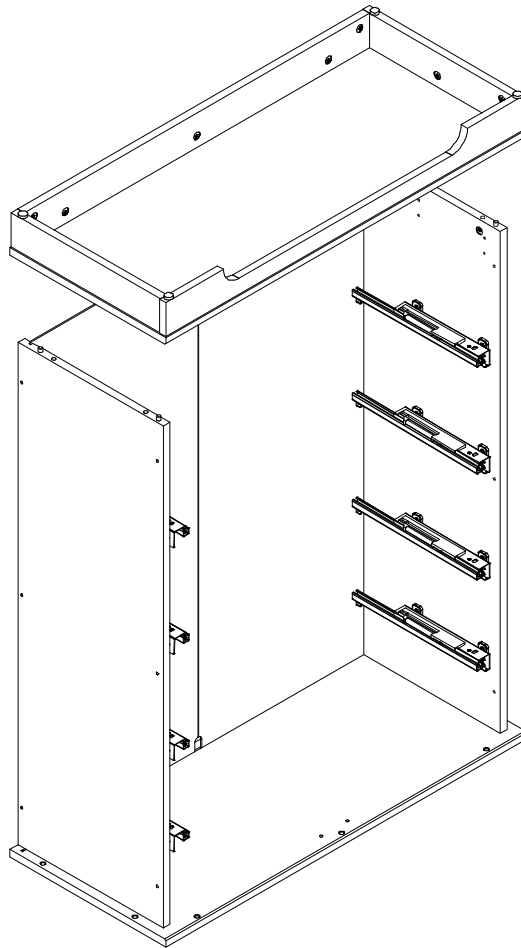


14 ▶

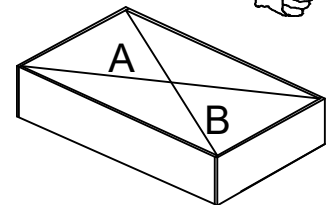




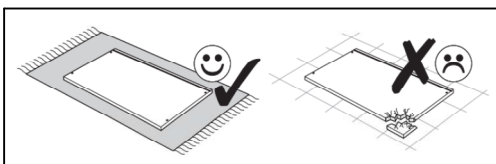
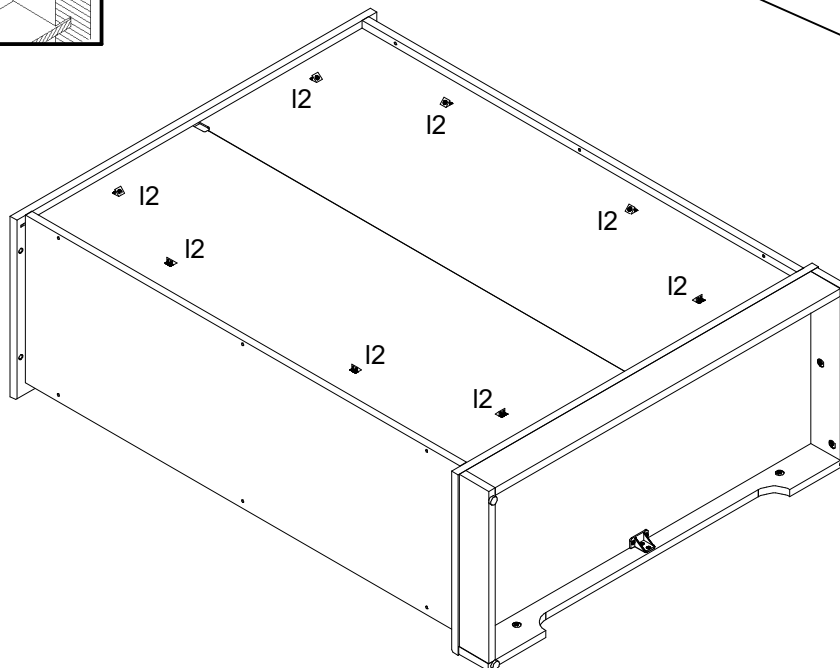
15 ▶



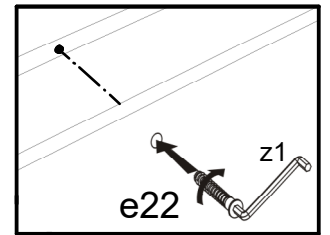
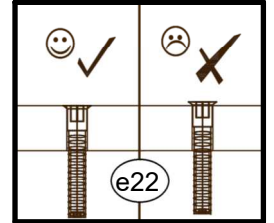
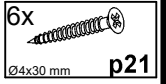
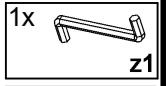
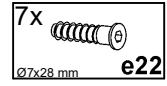
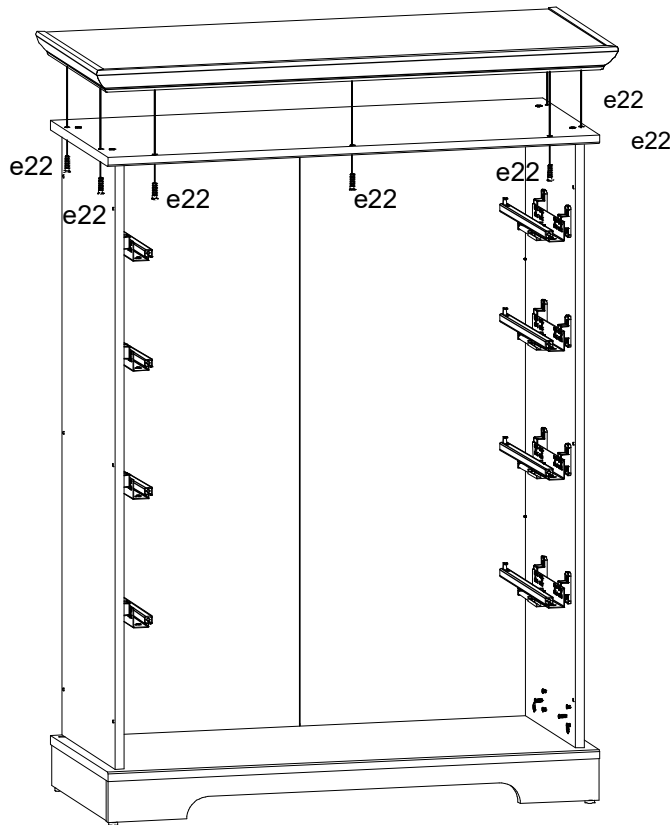
A=B



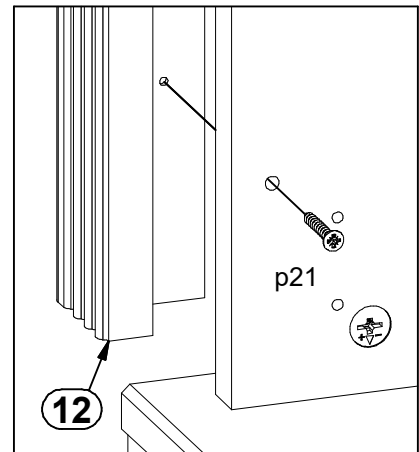
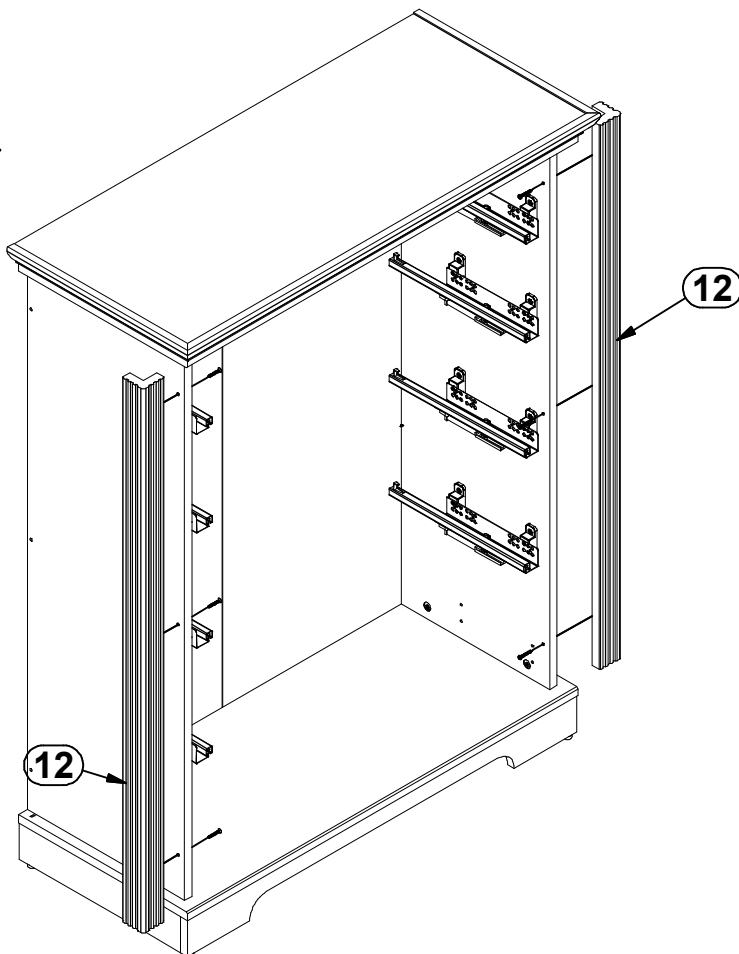
16 ▶



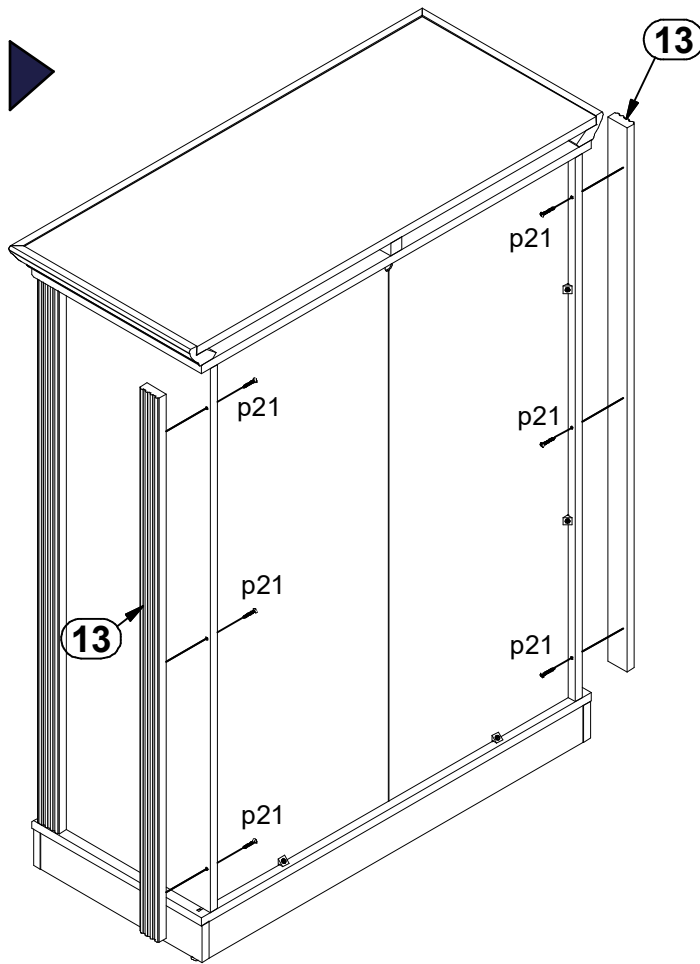
17 ▶




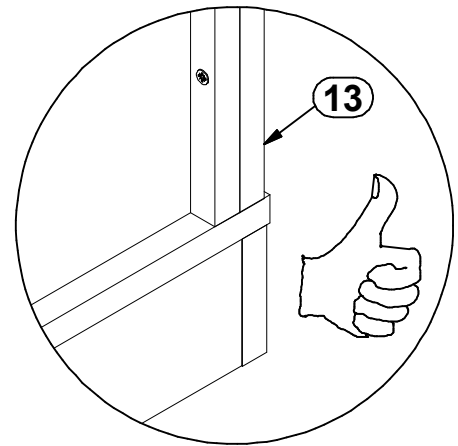
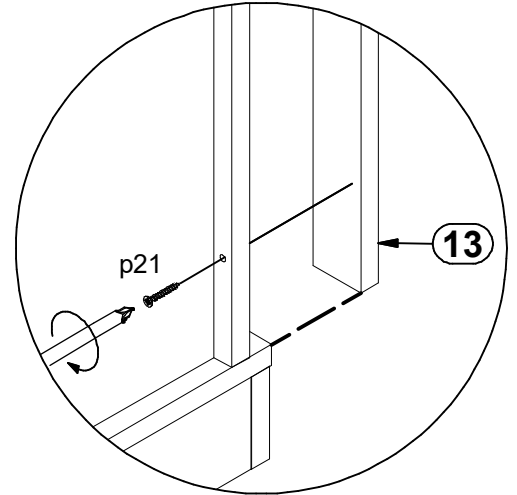
18 ▶



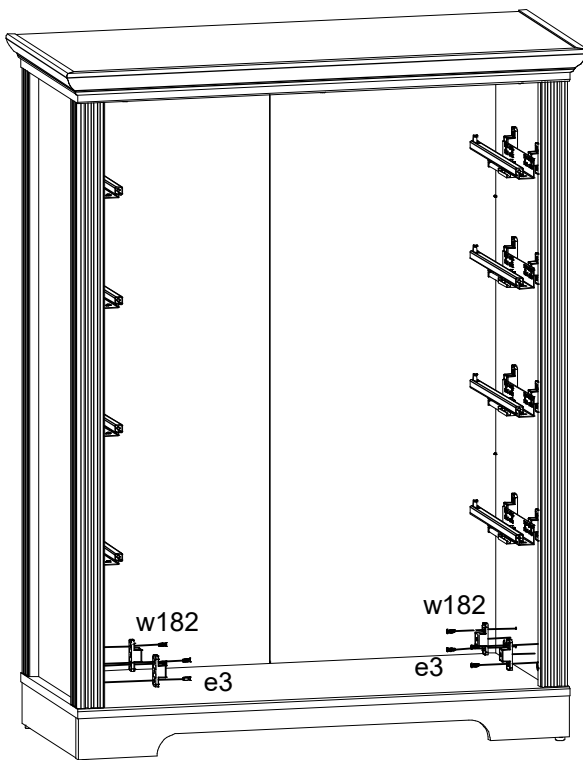
19 ▶


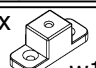


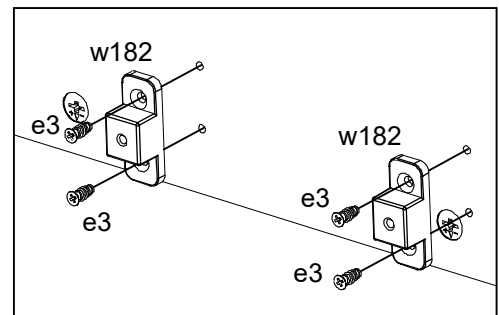
6x  $\varnothing 4 \times 30 \text{ mm}$ p21






20 ▶

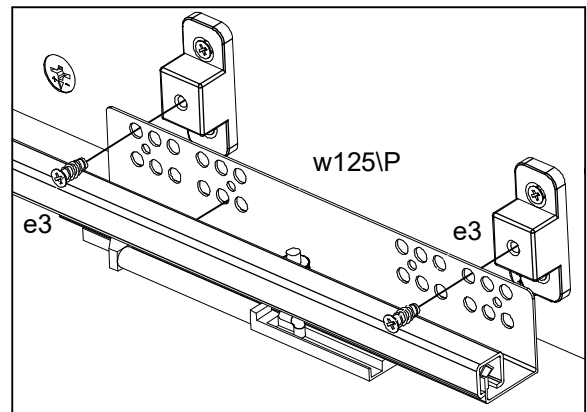
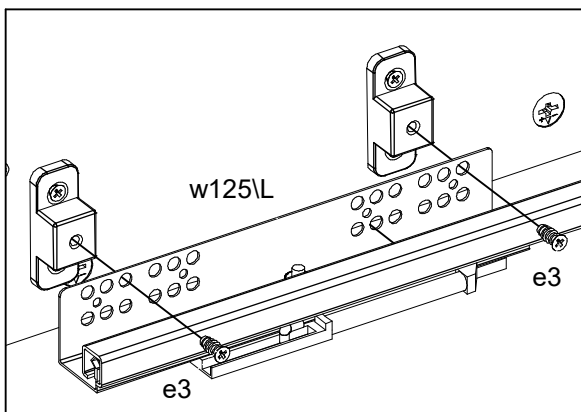
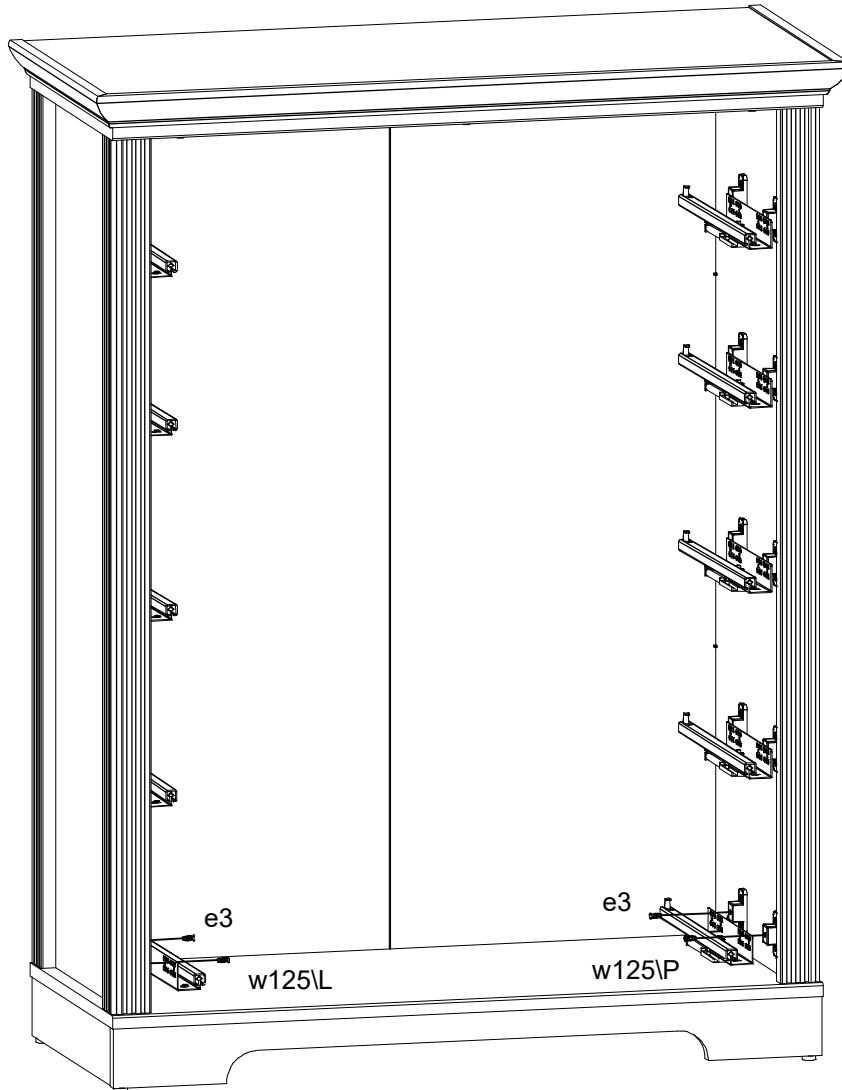


8x  $\varnothing 6 \times 13 \text{ mm}$ e3
4x  w182

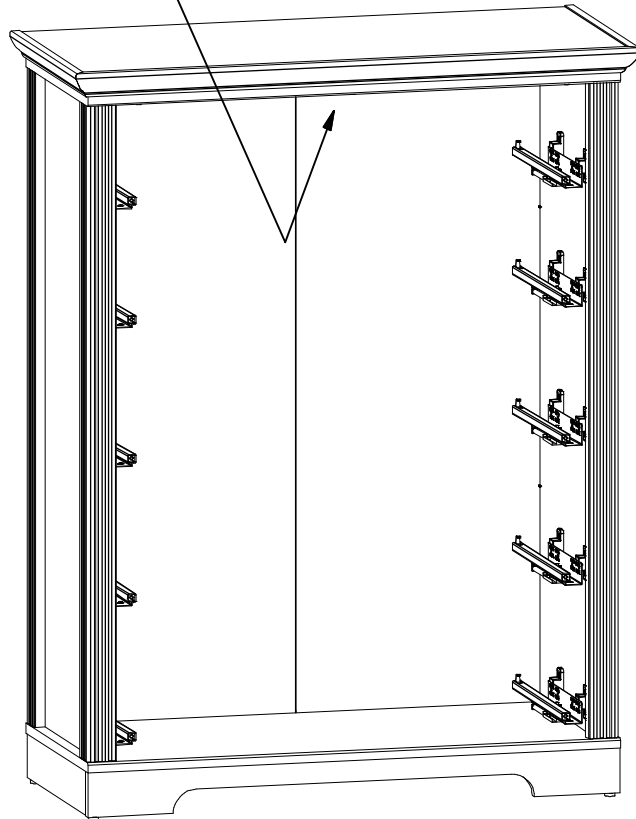
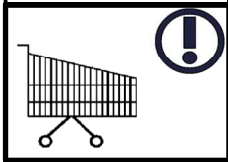
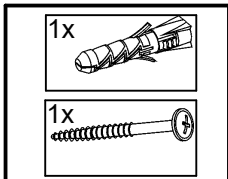
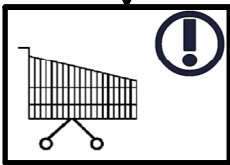
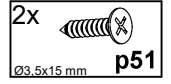
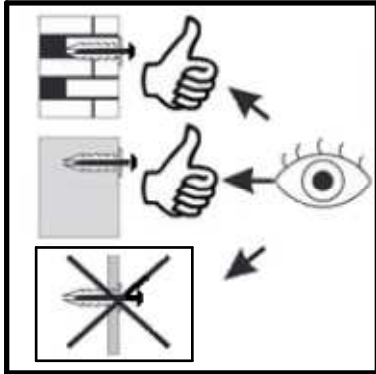
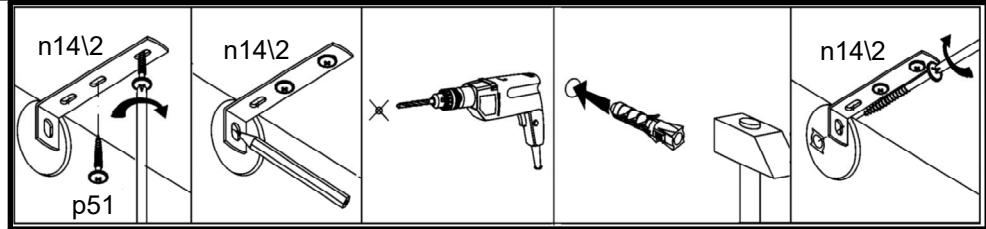


20 ▶

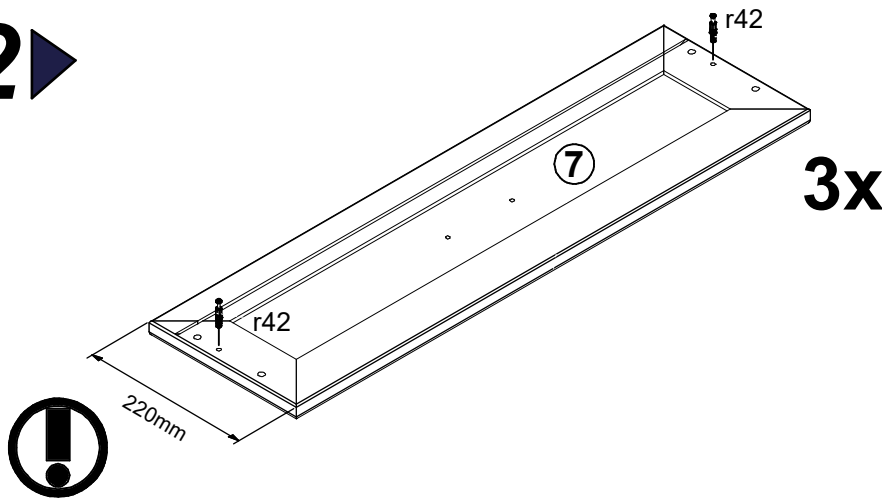
- 4x  $\varnothing 6 \times 13 \text{ mm}$ e3
- 1x  300mm W125\P
- 1x  300mm W125\L



21 ▶

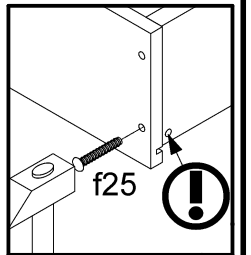
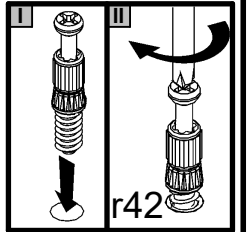
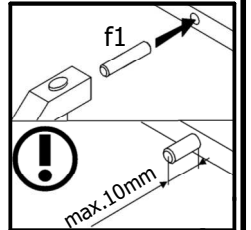
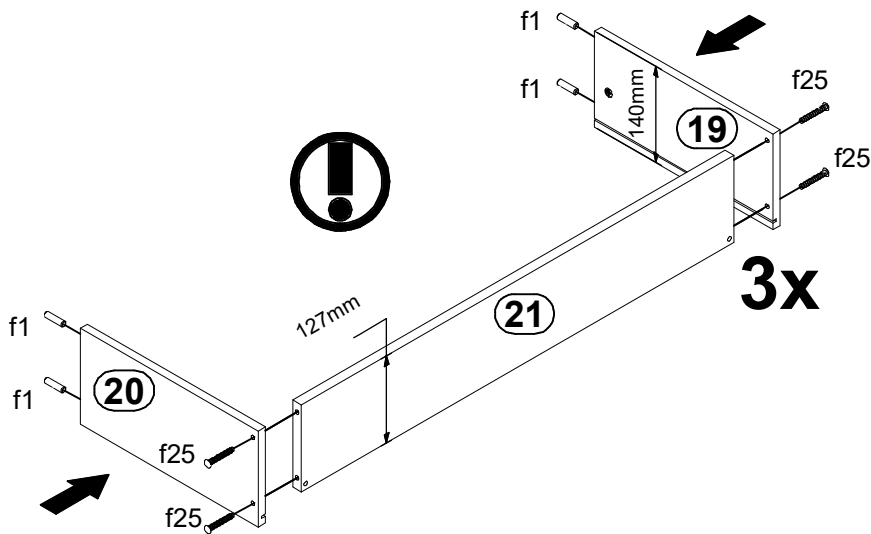


22 ▶

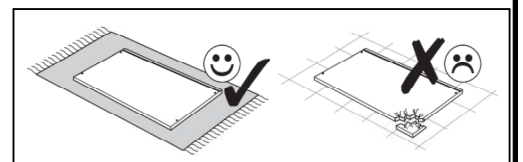
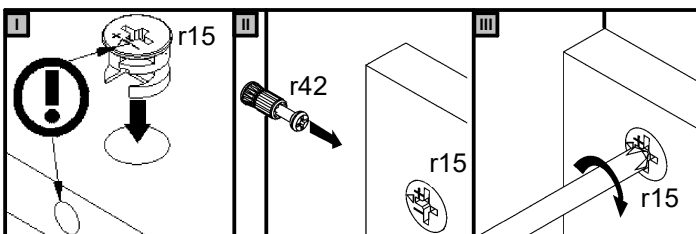
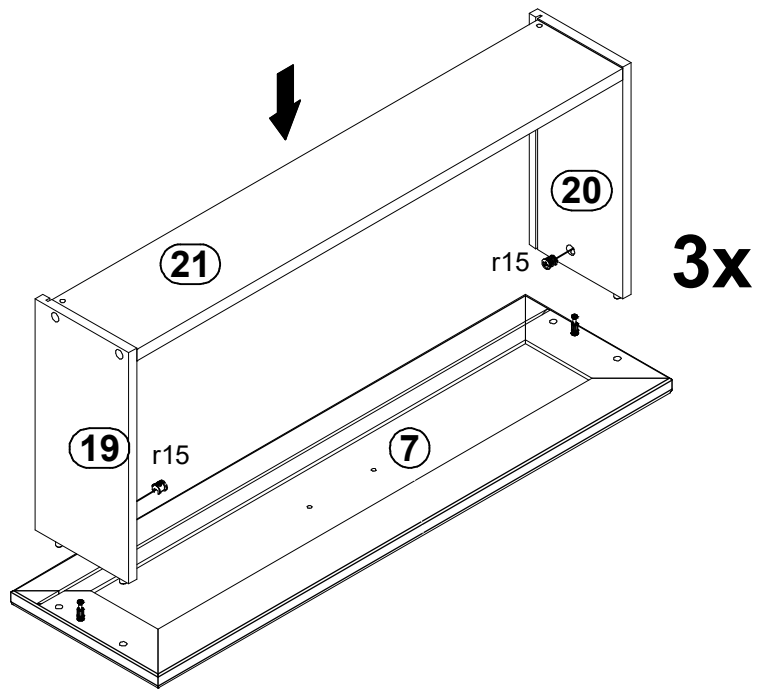


- 12x f1
Ø8x30 mm
- 6x r42
20/11
- 6x r15
Ø12x10.5 mm #12
- 12x f25
Ø6.5x40 mm

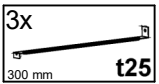
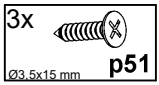
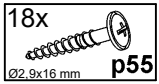
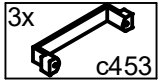
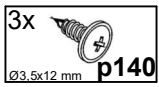
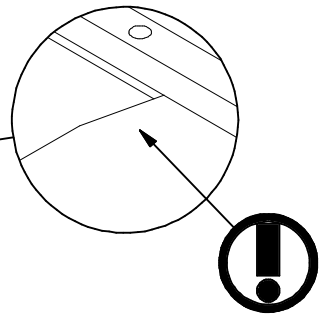
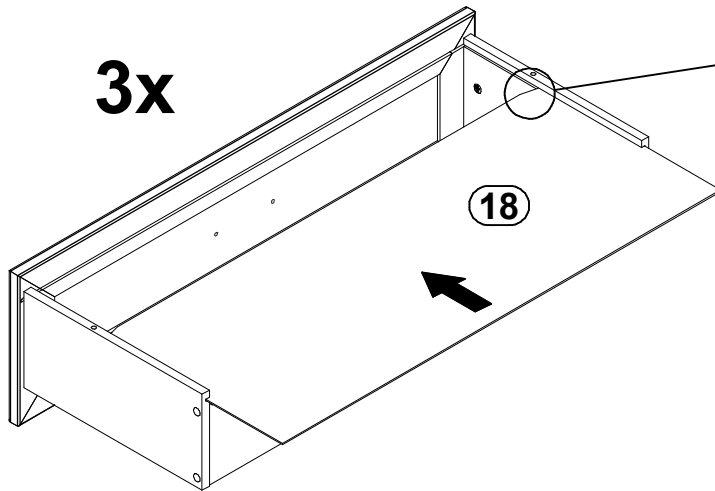
23 ▶



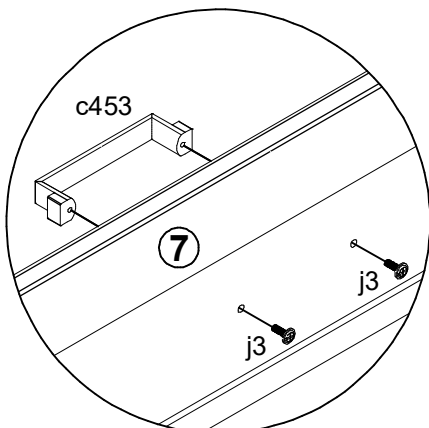
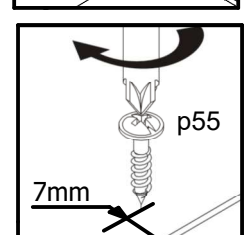
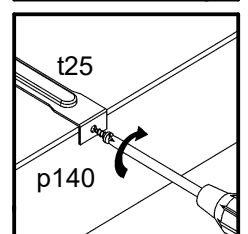
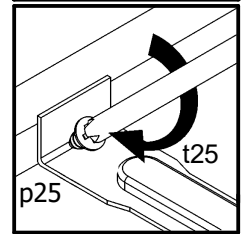
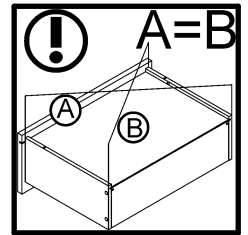
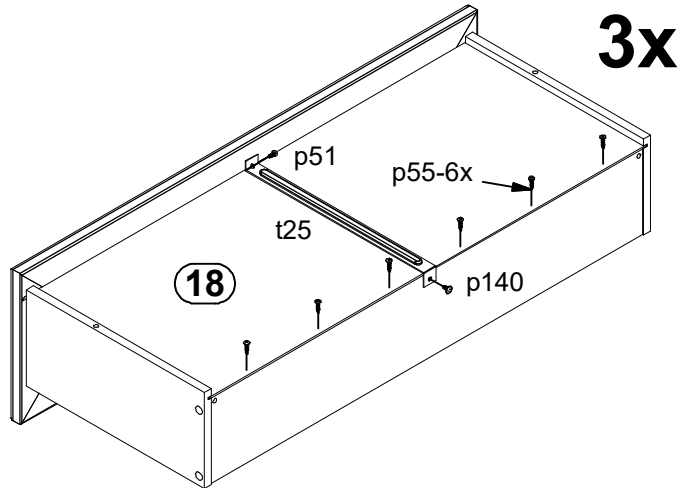
24 ▶



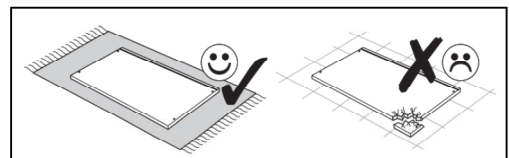
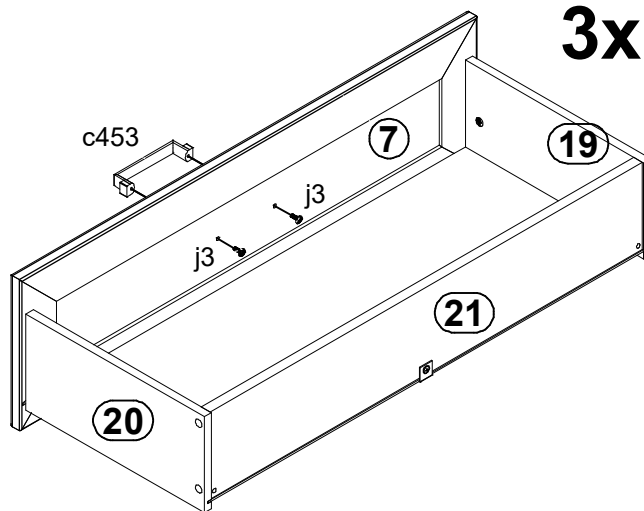
25 ▶

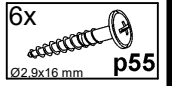


26 ▶

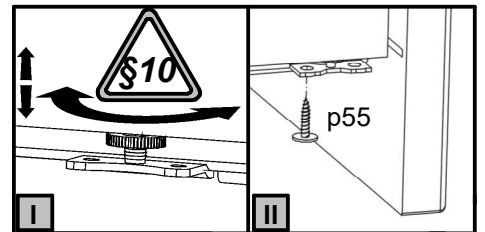
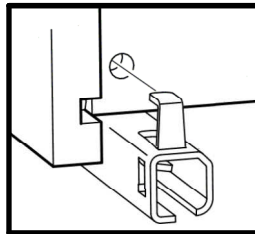
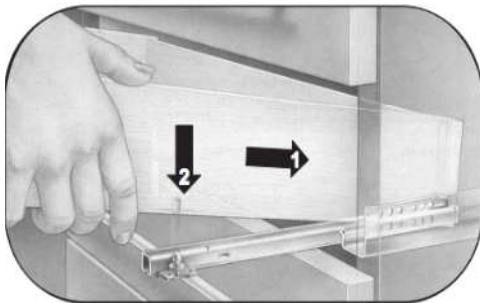
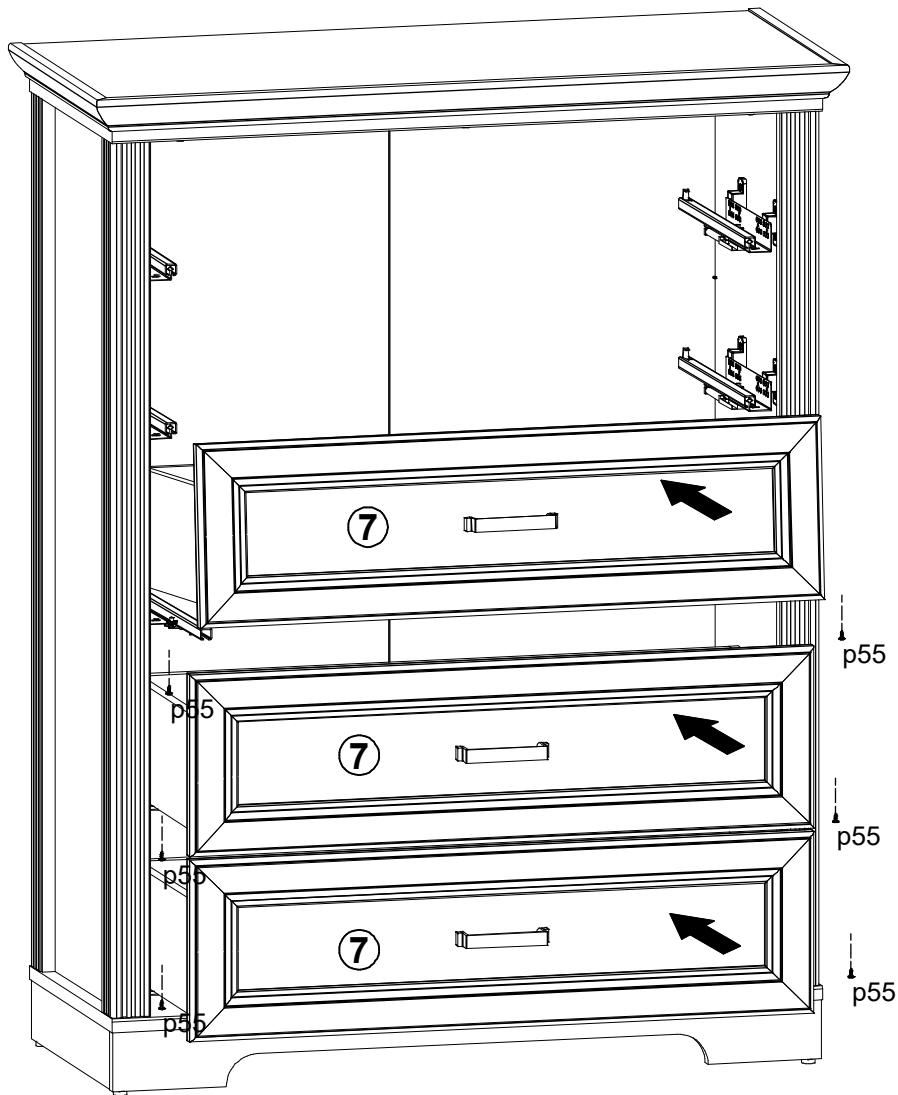


27 ▶



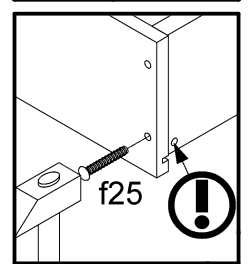
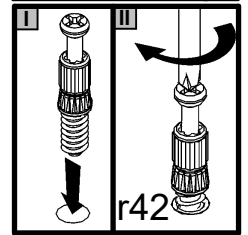
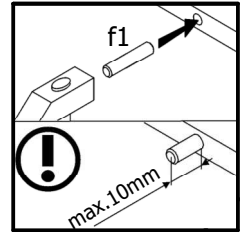
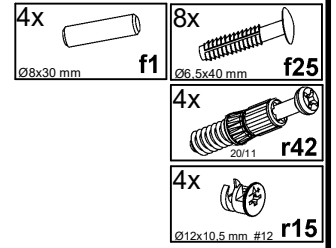
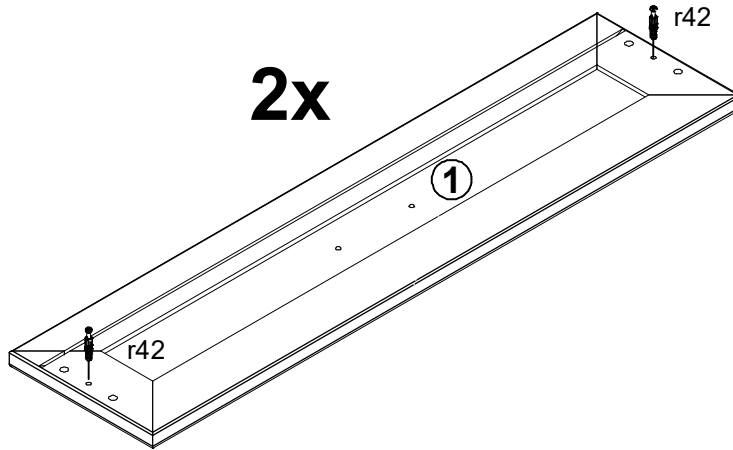


27 ▶



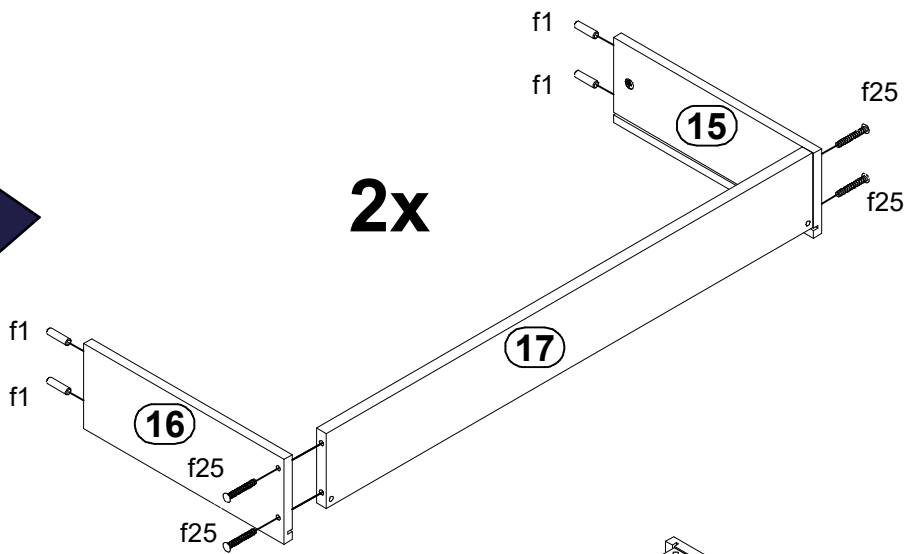
28 ▶

2x



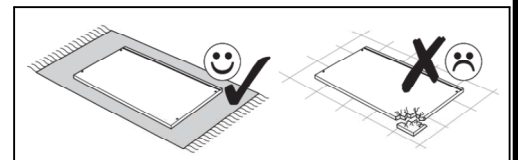
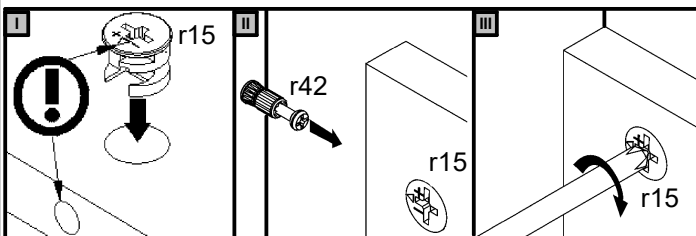
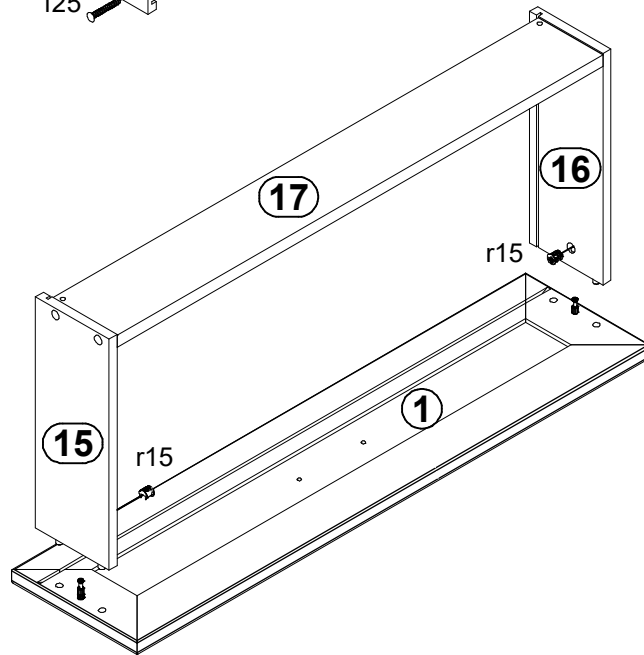
29 ▶

2x

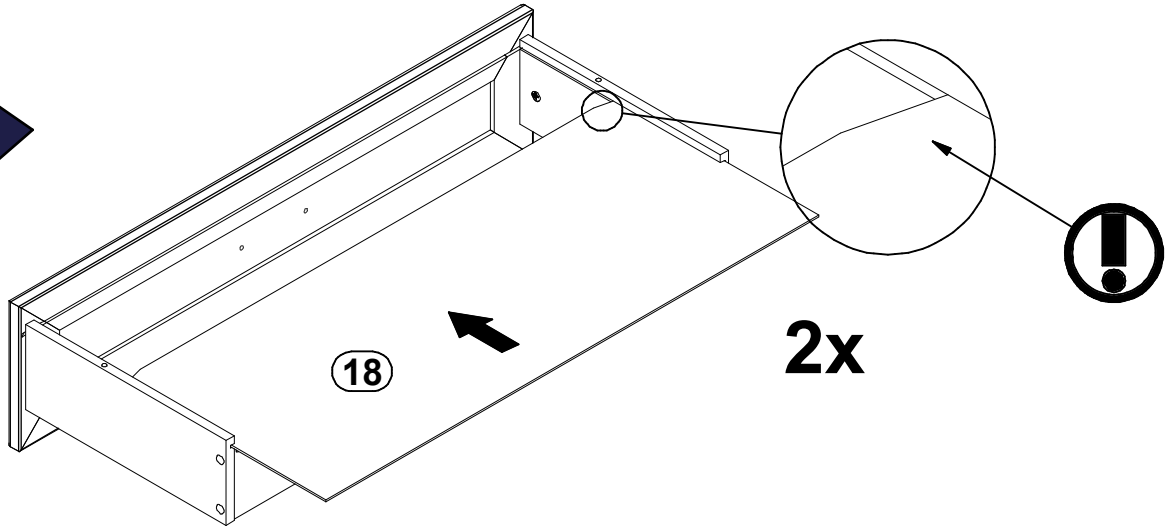


2x

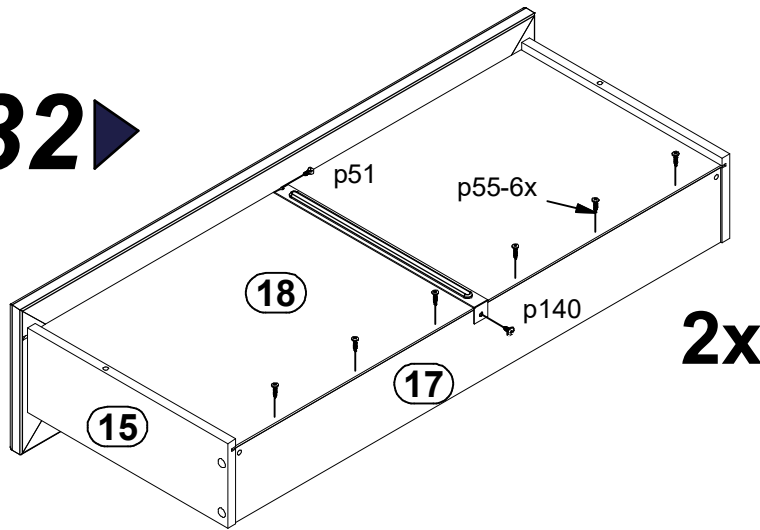
30 ▶



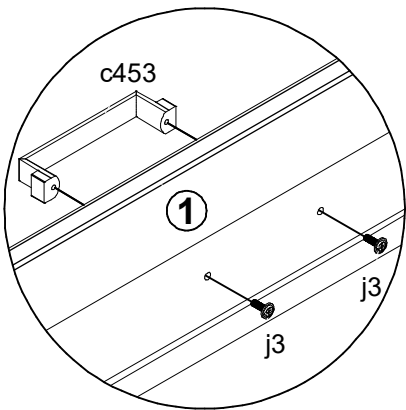
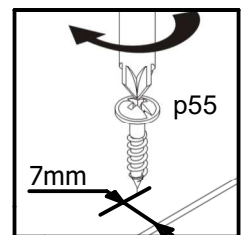
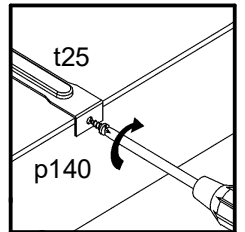
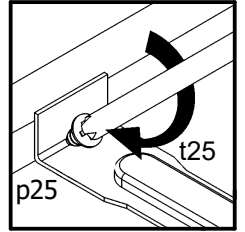
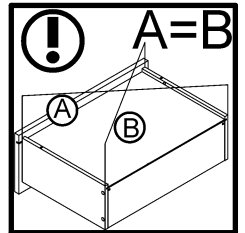
31 ▶



32 ▶



- 2x p140
Ø3.5x12 mm
- 2x c453
- 4x j3
M4x12 mm
- 12x p55
Ø2.9x16 mm
- 2x p51
Ø3.5x15 mm
- 2x t25
300 mm



33 ▶

