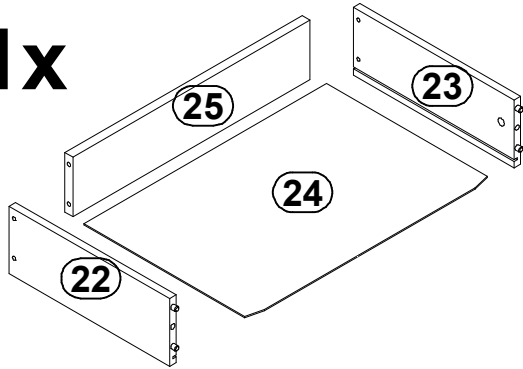
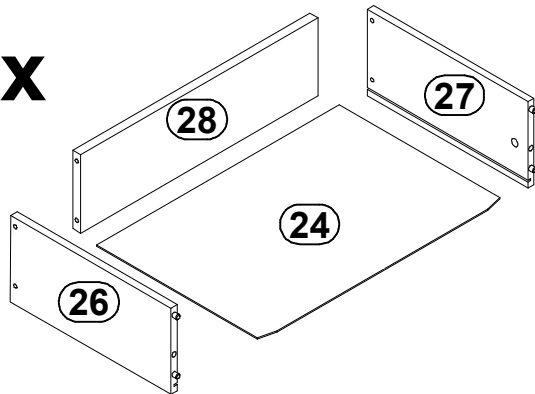


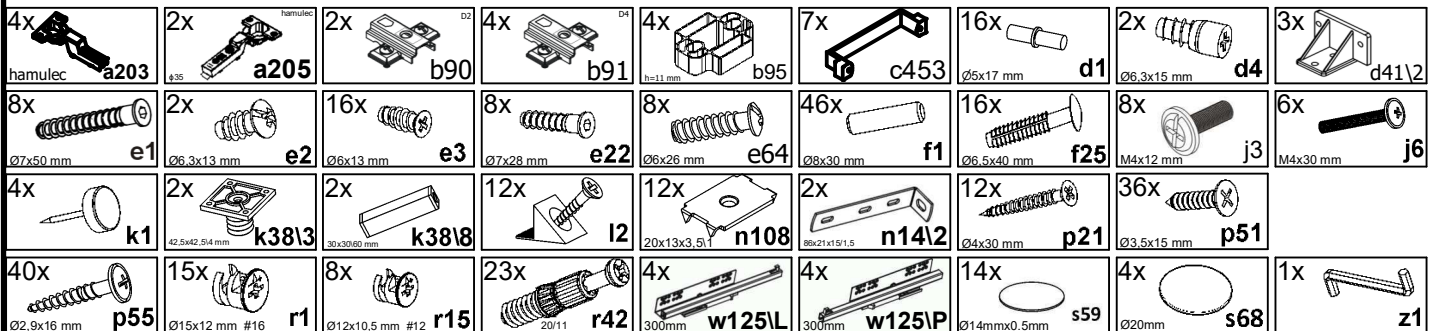
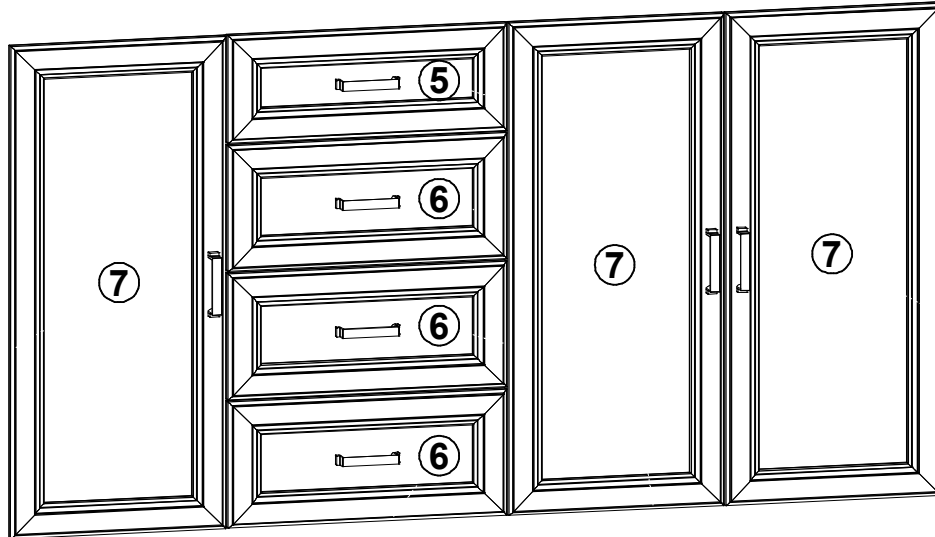
1x

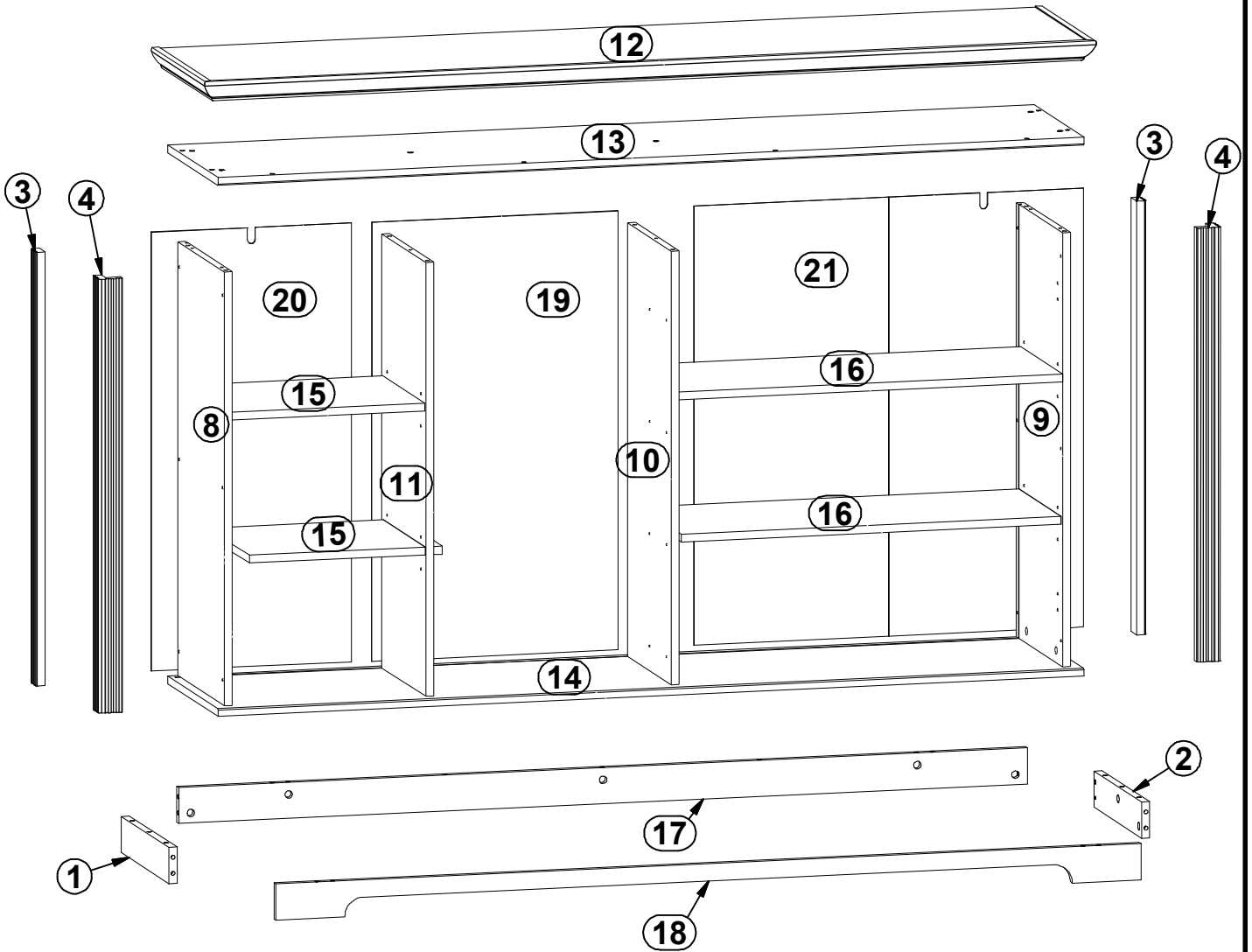


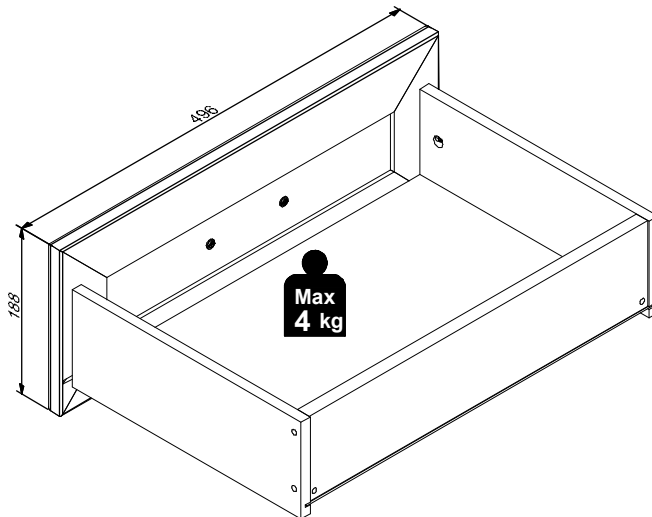
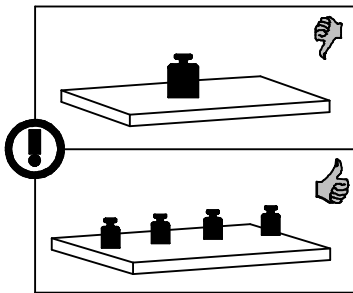
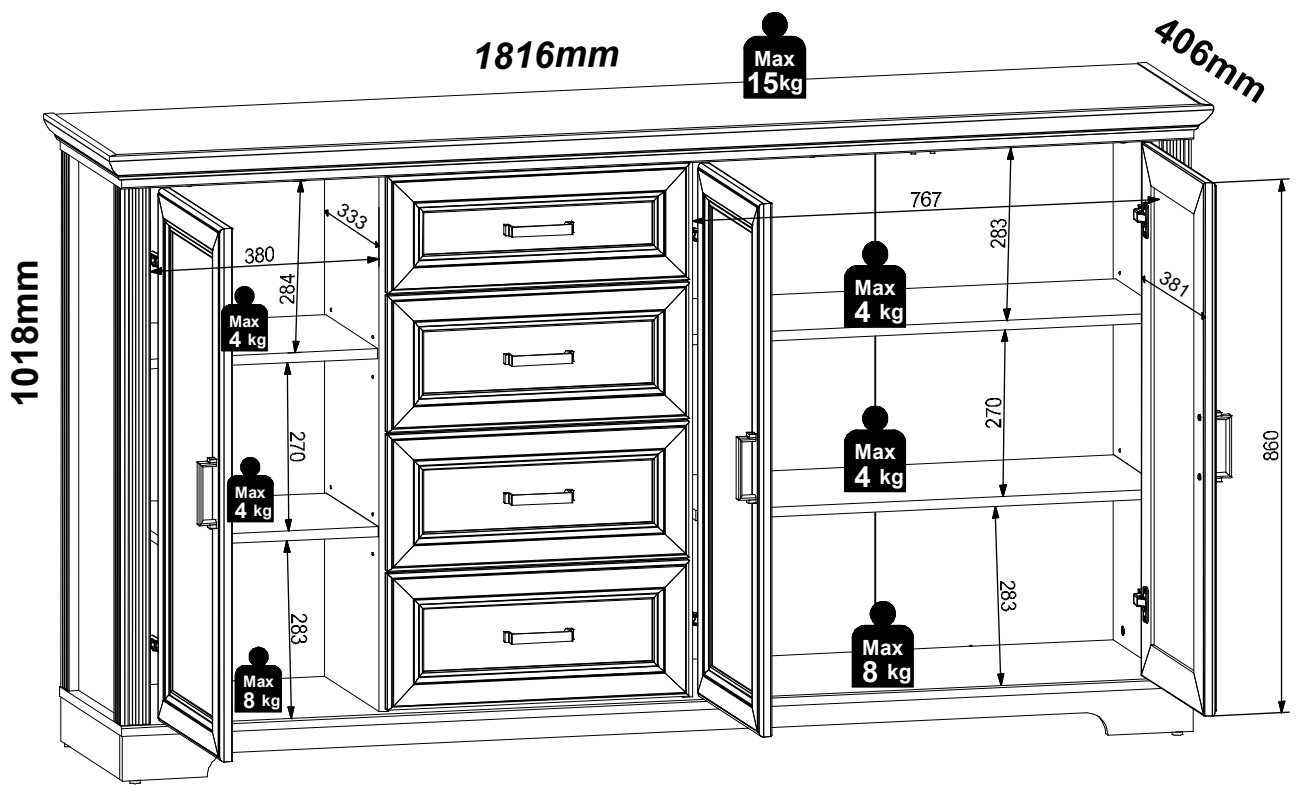
3x



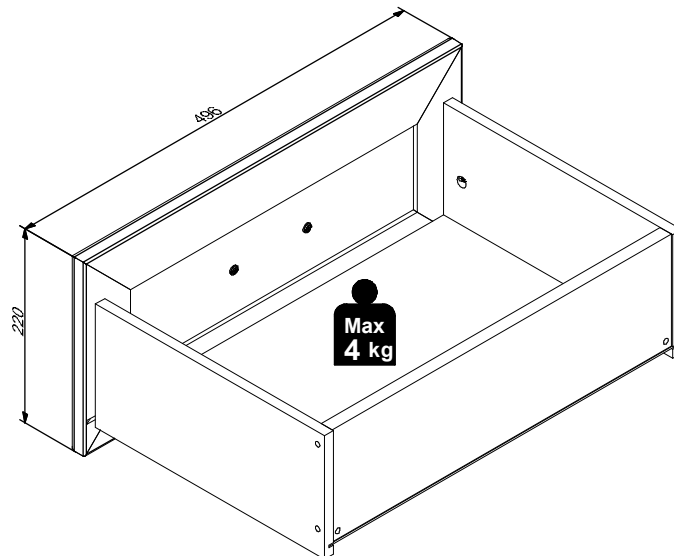
A	B1	B2	C1	C2	C3	D
1	M261-4102	-2	363	72	16	2\4
2	M261-4103	-2	363	72	16	2\4
3	M261-5001	-3	866	43	19	3\4
4	M261-5002	-3	866	49	49	3\4
5	S713-0008	-1	496	188	22	3\4
6	S713-0005	-1	496	220	22	3\4
7	S713-0006	-	860	383	22	3\4
8	S713-1001	-1	866	353	16	1\4
9	S713-1002	-1	866	353	16	1\4
10	S713-1006	-	866	333	16	1\4
11	S713-1007	-1	866	333	16	1\4
12	S713-2009	-1	1816	406	43	2\4
13	S713-2010	-2	1763	380	16	2\4
14	S713-2011	-1	1763	380	16	2\4
15	S713-3002	-1	393	318	16	3\4
16	S713-3003	-1	781	318	16	4\4
17	S713-4102	-1	1727	72	16	2\4
18	S713-4152	-2	1761	72	15	2\4
19	S713-9004	-	876	501	2,5	3\4
20	S713-9005	-	876	407	2,5	3\4
21	S713-9302	-1	876	793	2,5	3\4
22	WSQ2-5003	-10	300	110	12	1\4
23	WSQ2-5004	-9	300	110	12	1\4
24	WDF-9086	-	454	308	2,5	3\4
25	STQ-5168	-	444	97	15	3\4
26	WSQ3-5003	-7	300	140	12	1\4
27	WSQ3-5004	-7	300	140	12	1\4
28	STQ-5230	-	444	127	15	3\4



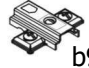









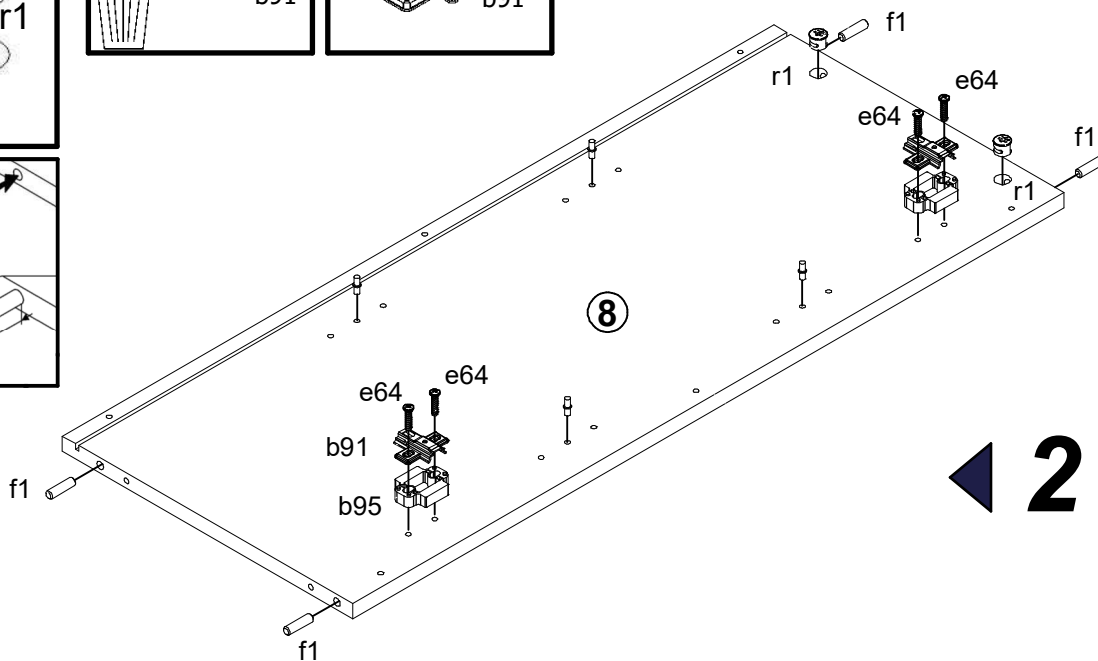
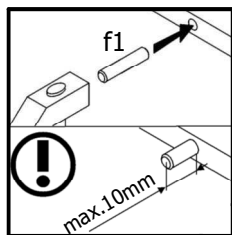
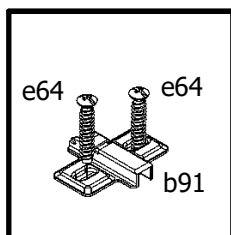
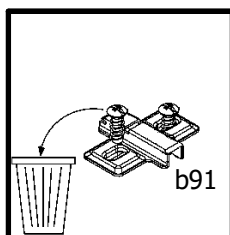
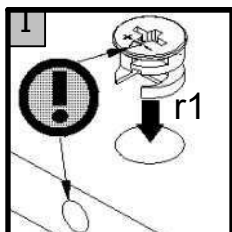
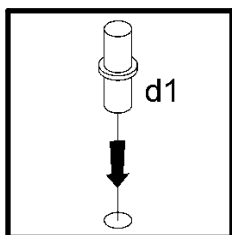
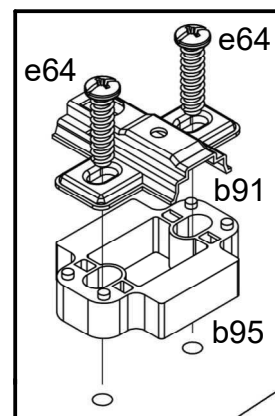
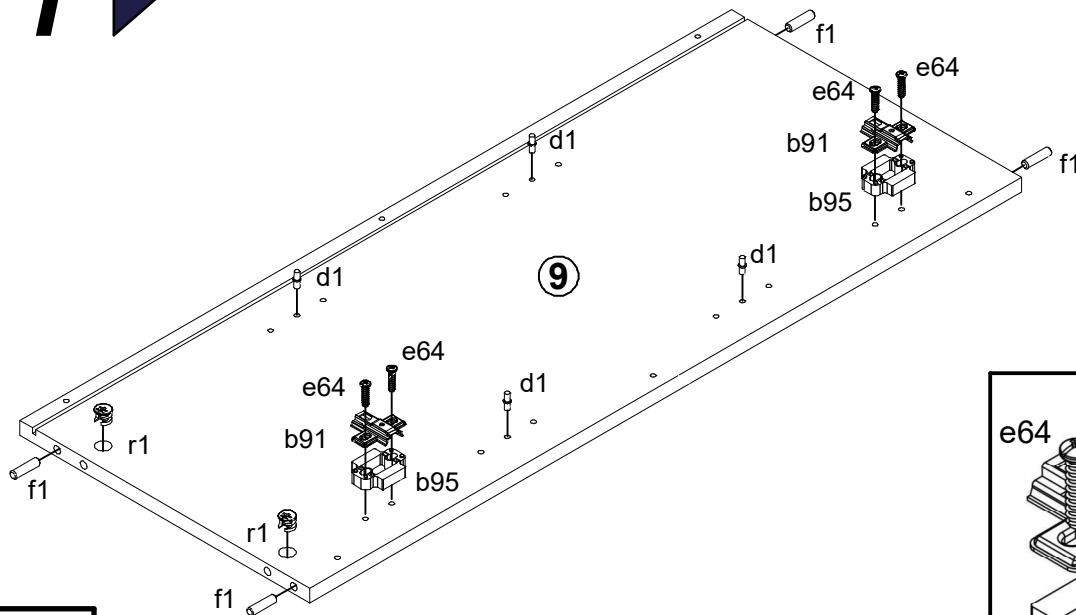
1x



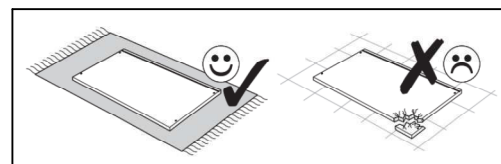
3x

4x  b91	4x  b95	8x  f1	4x  r1
			8x  d1
			8x  e64

1 ▶



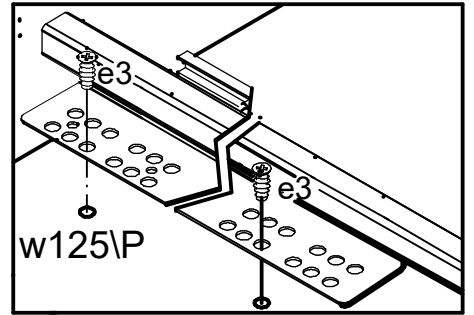
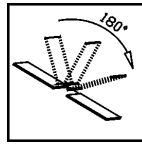
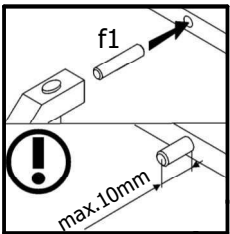
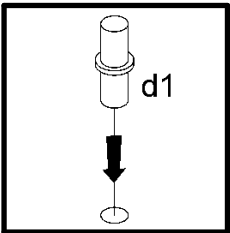
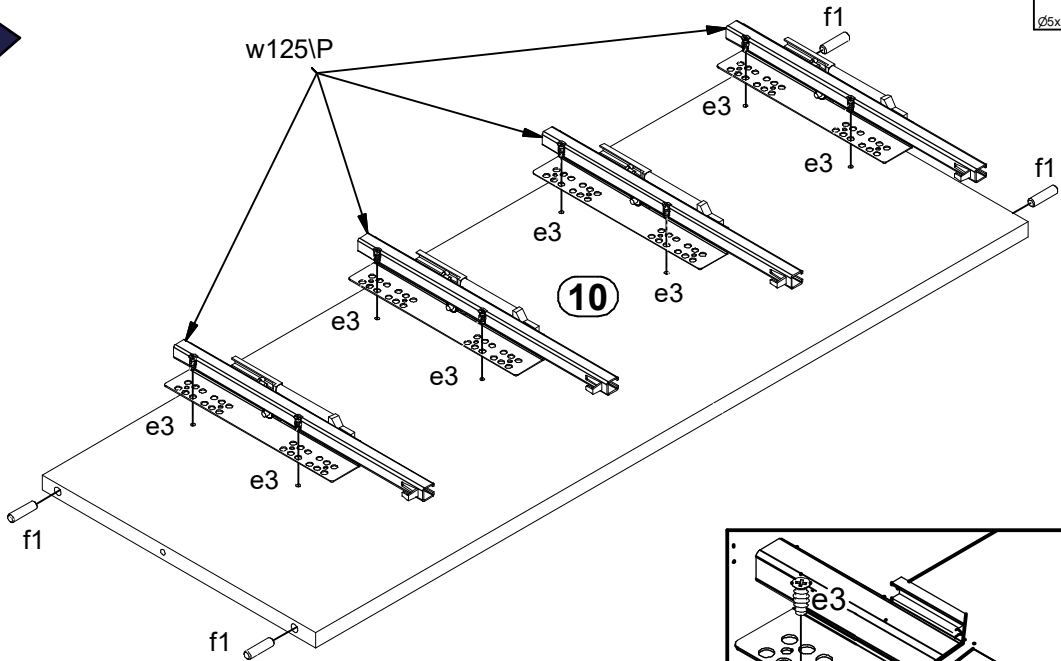
◀ 2



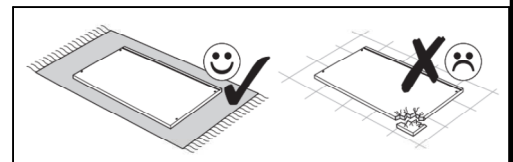
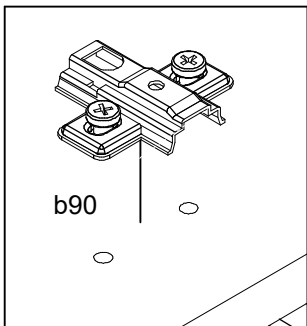
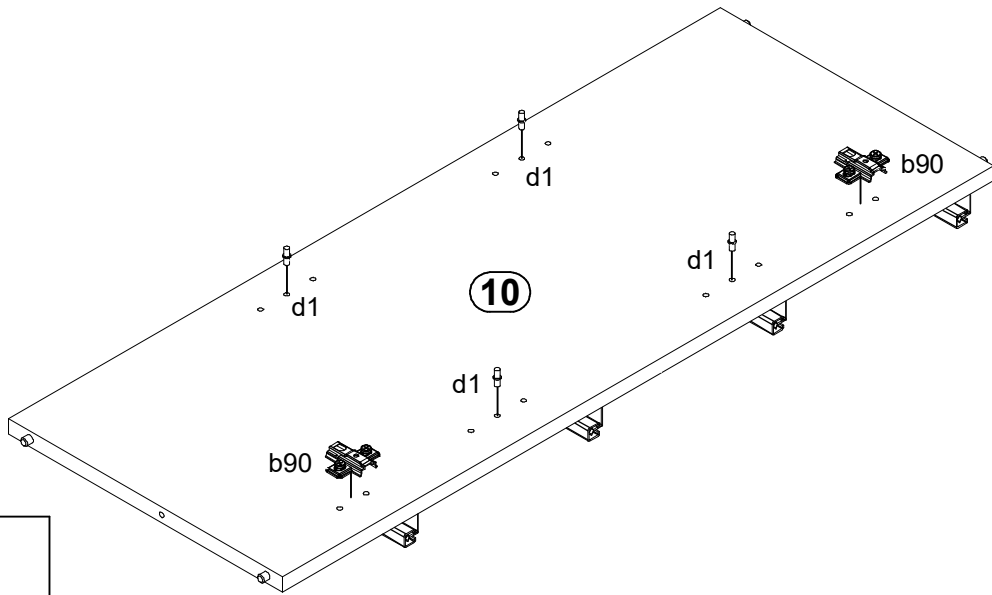


8x Ø6x13 mm e3	4x Ø8x30 mm f1
2x b90	4x 300mm w125\P
4x Ø5x17 mm d1	

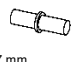


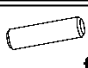
3 ▶

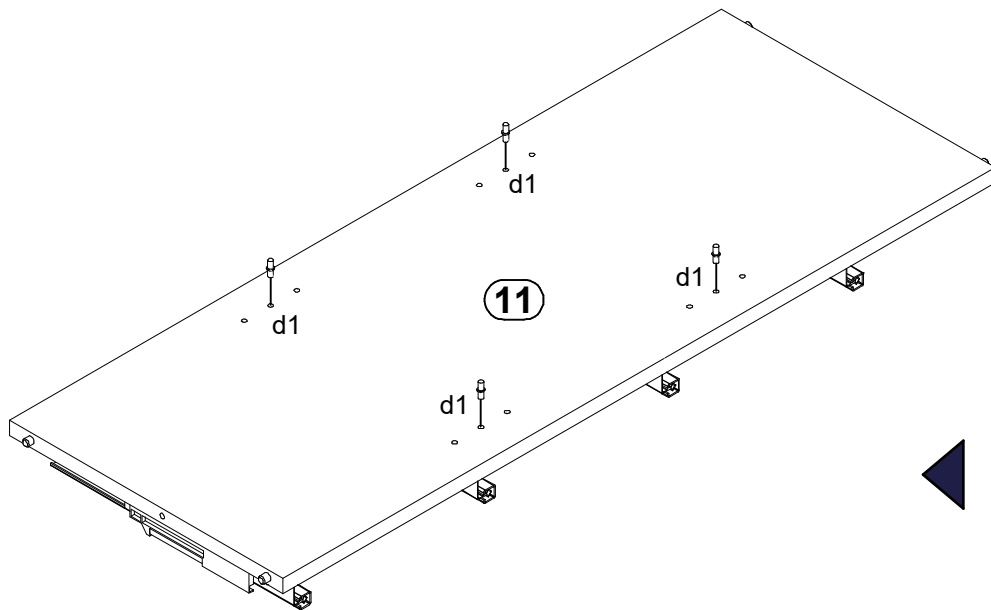
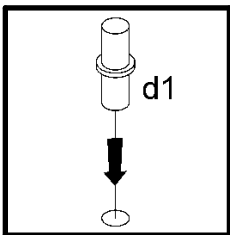
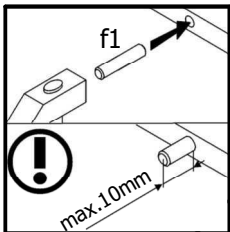
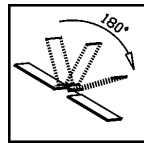
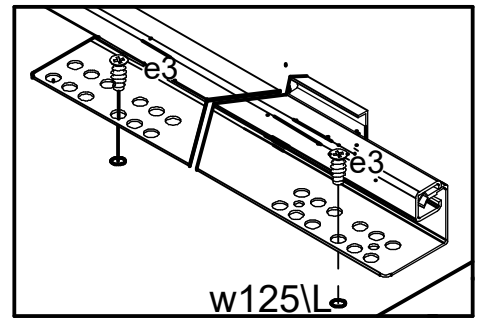
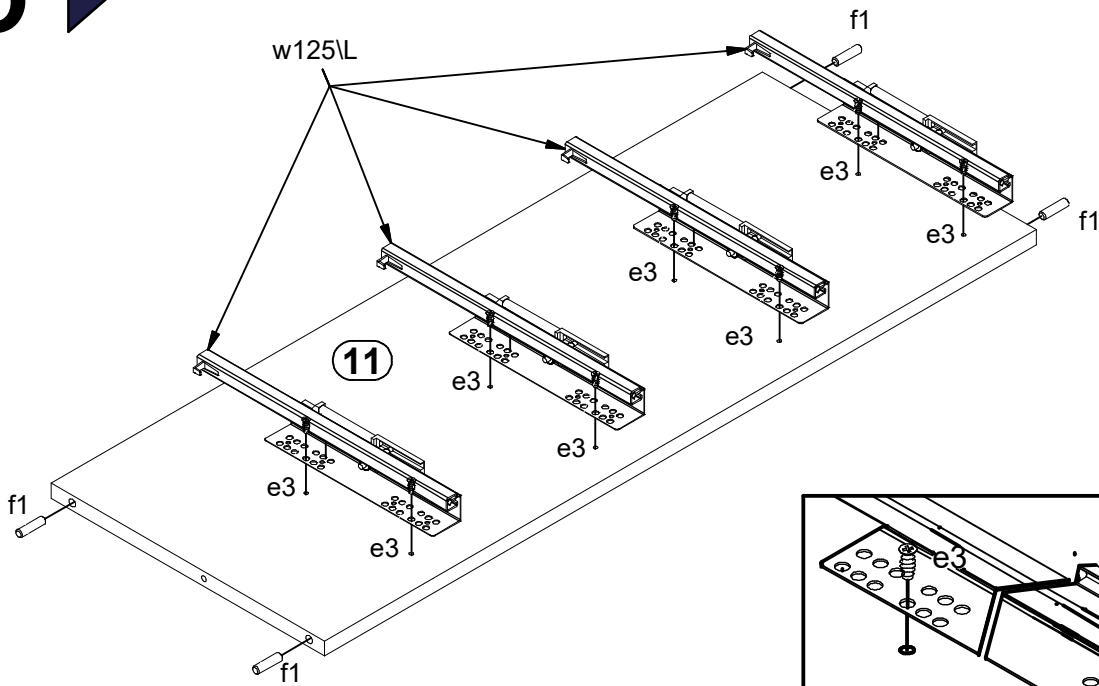


4 ▶

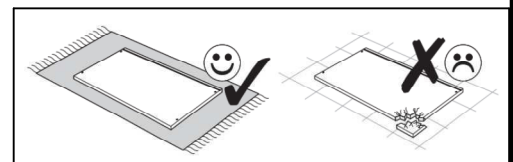


5 ▶

- 4x  d1
∅5x17 mm
- 4x  w125/L
300mm
- 8x  e3
∅6x13 mm
- 4x  f1
∅8x30 mm

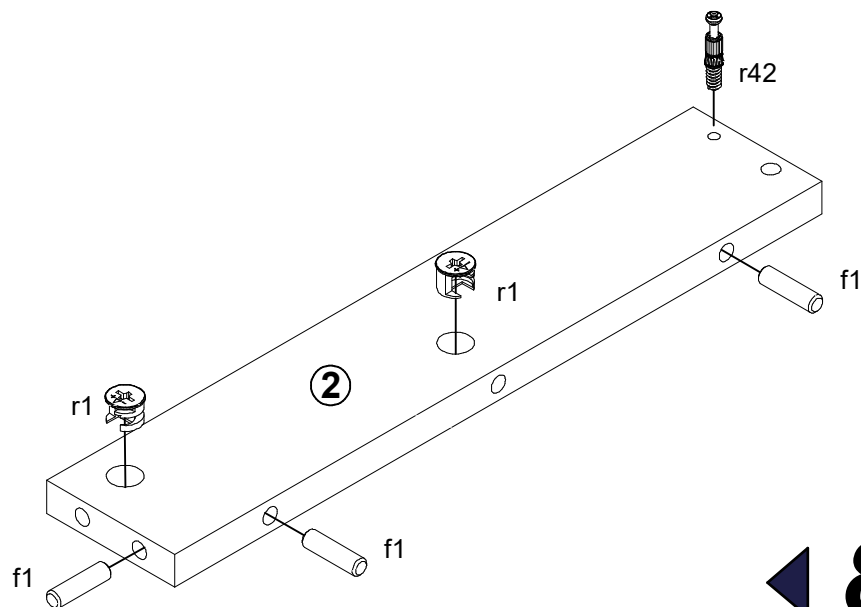
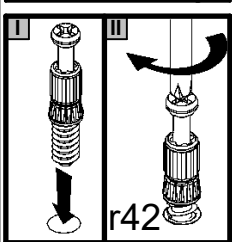
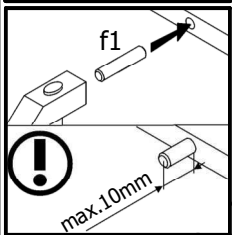
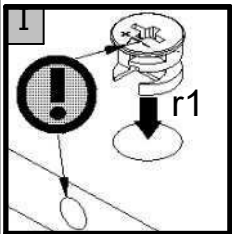
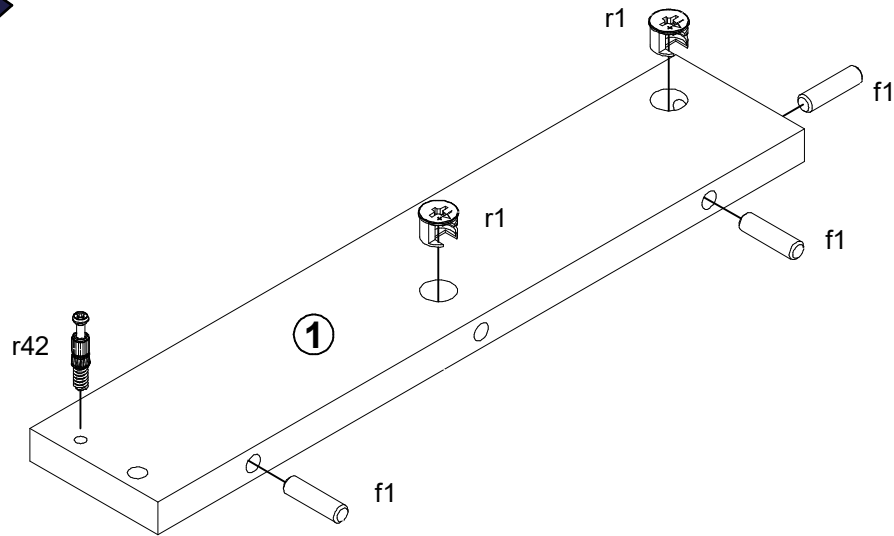


▶ 6

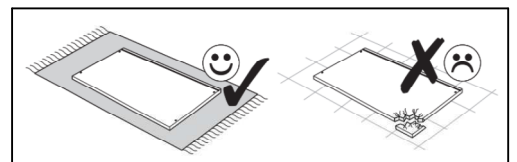


6x Ø8x30 mm f1	4x Ø15x12 mm #16 r1	2x 20/11 r42
----------------------	---------------------------	--------------------

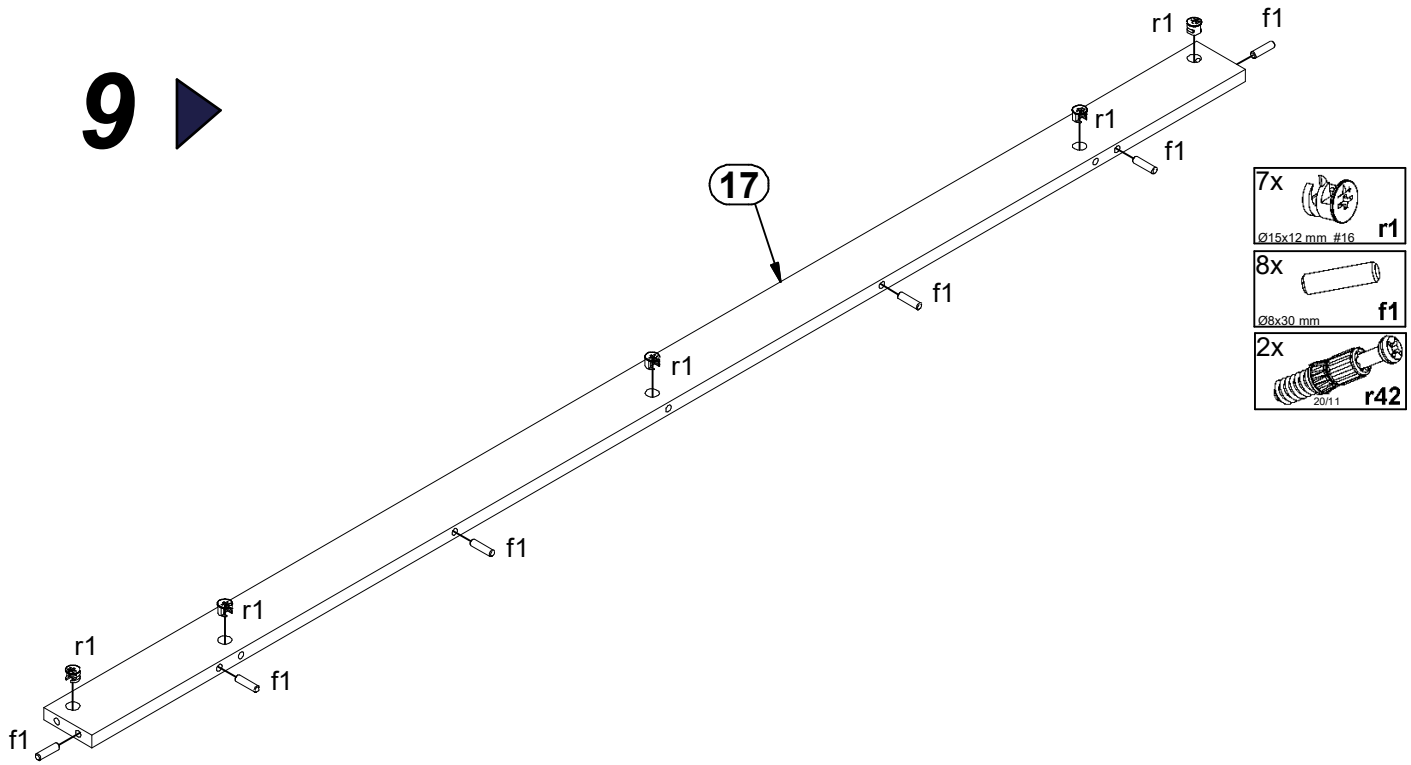
7 ▶


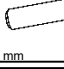



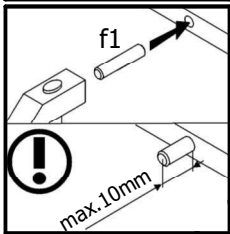
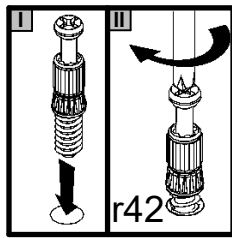
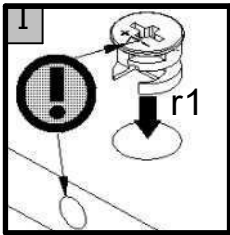
◀ 8



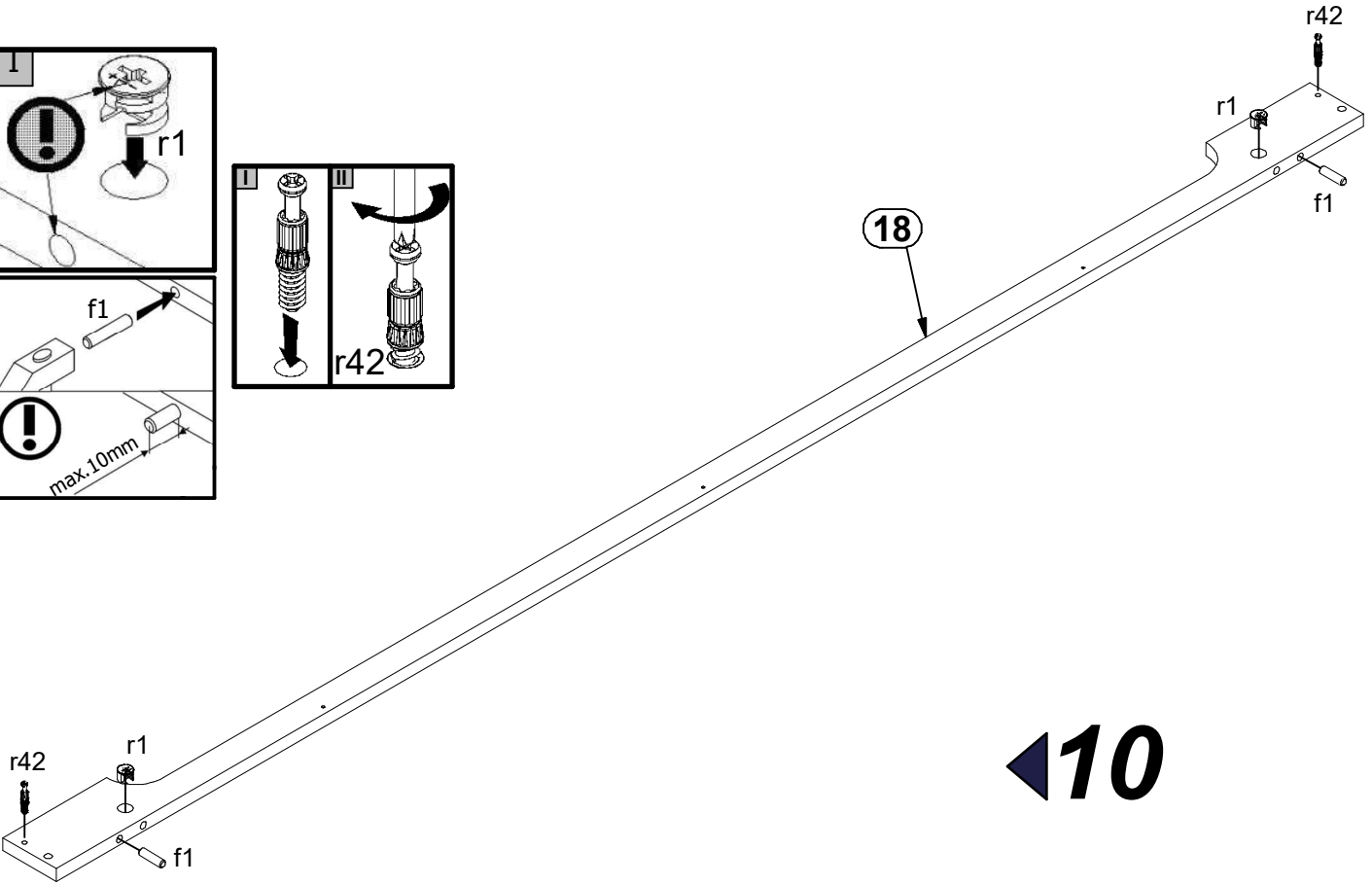
9 ▶



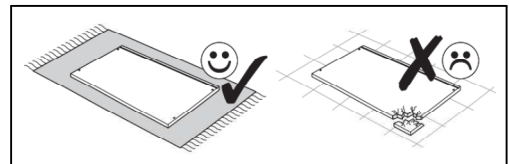
- 7x  r1
Ø15x12 mm #16
- 8x  f1
Ø8x30 mm
- 2x  r42
20/11



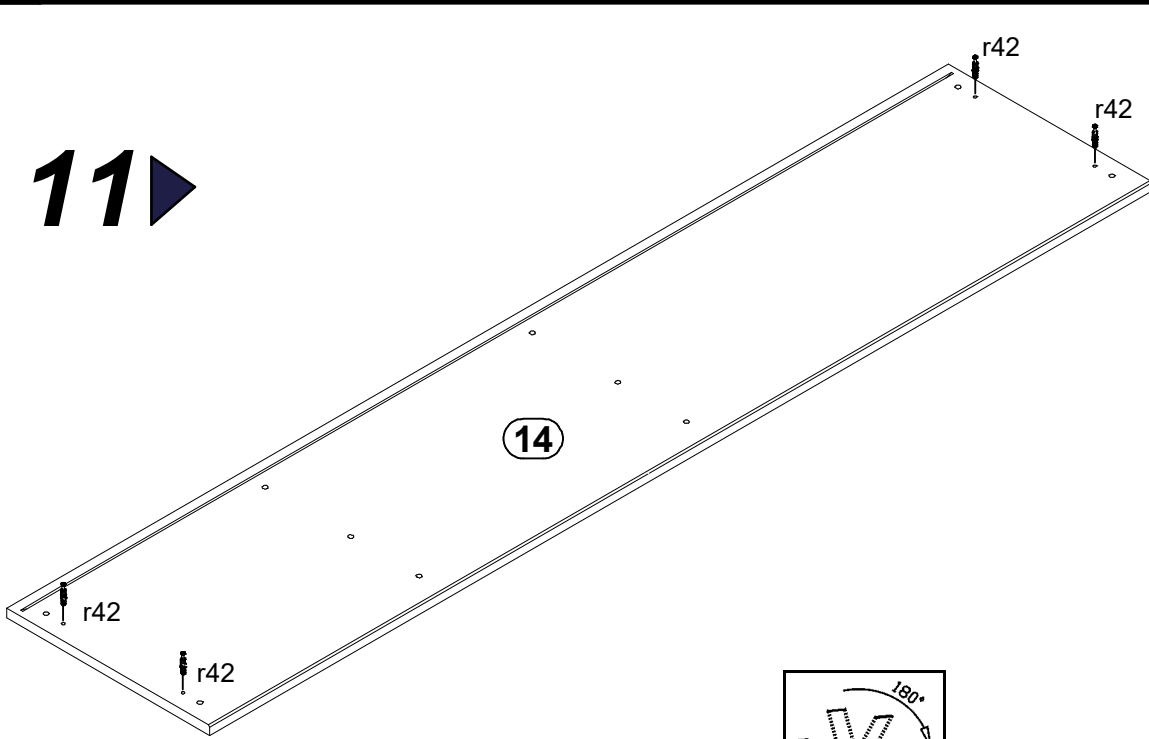
18









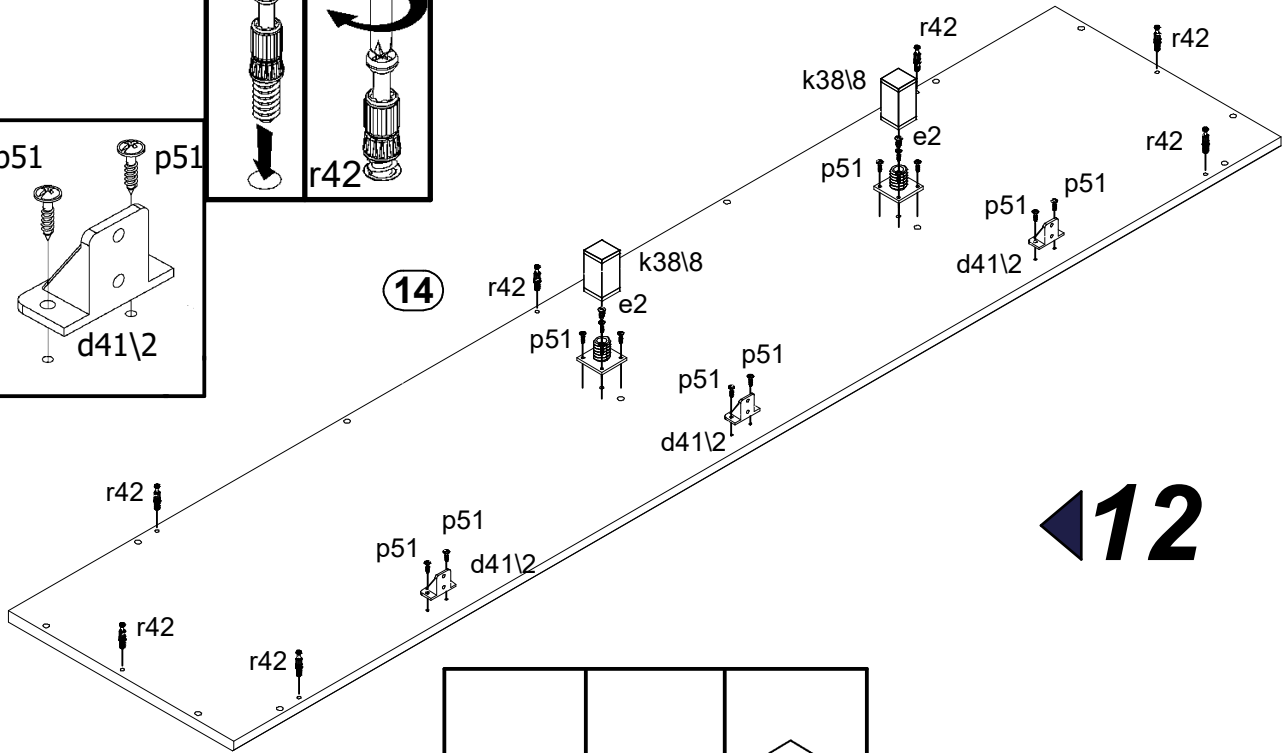
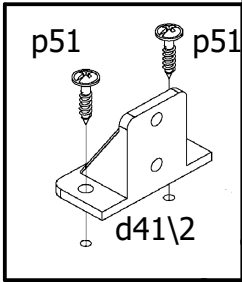
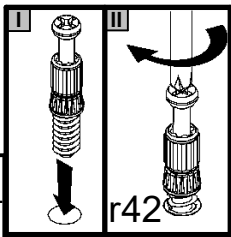
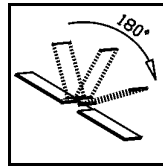
◀ 10



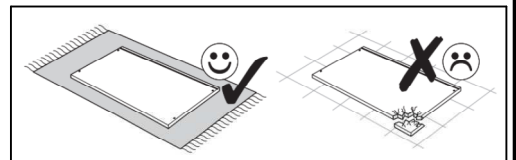
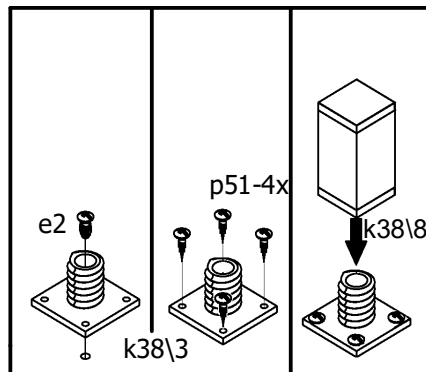
11 ▶



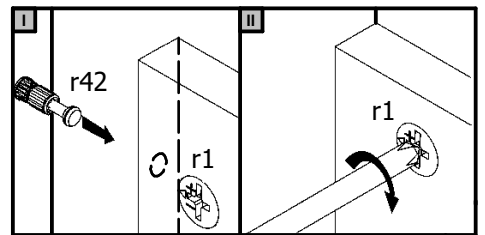
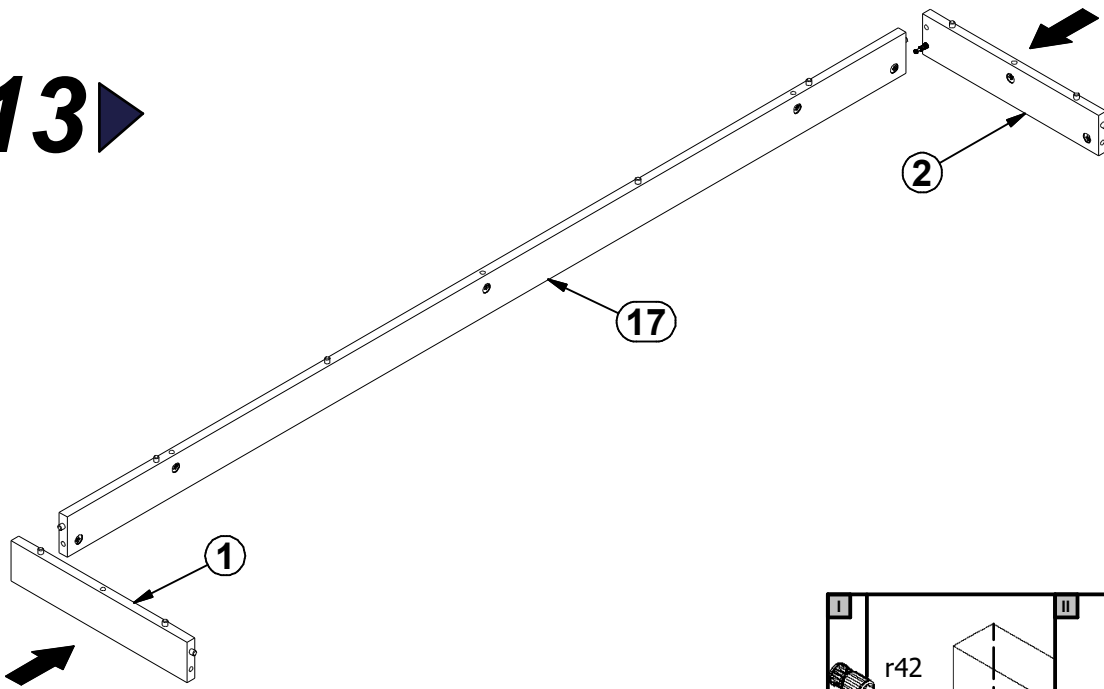
- 3x  d41\2
- 14x  p51
Ø3.5x15 mm
- 11x  r42
20/11
- 2x  k38\3
42.5x42.5/4 mm
- 2x  k38\8
39x20/60 mm
- 2x  e2
Ø6.3x13 mm



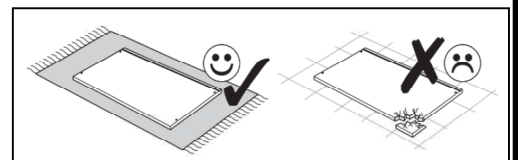
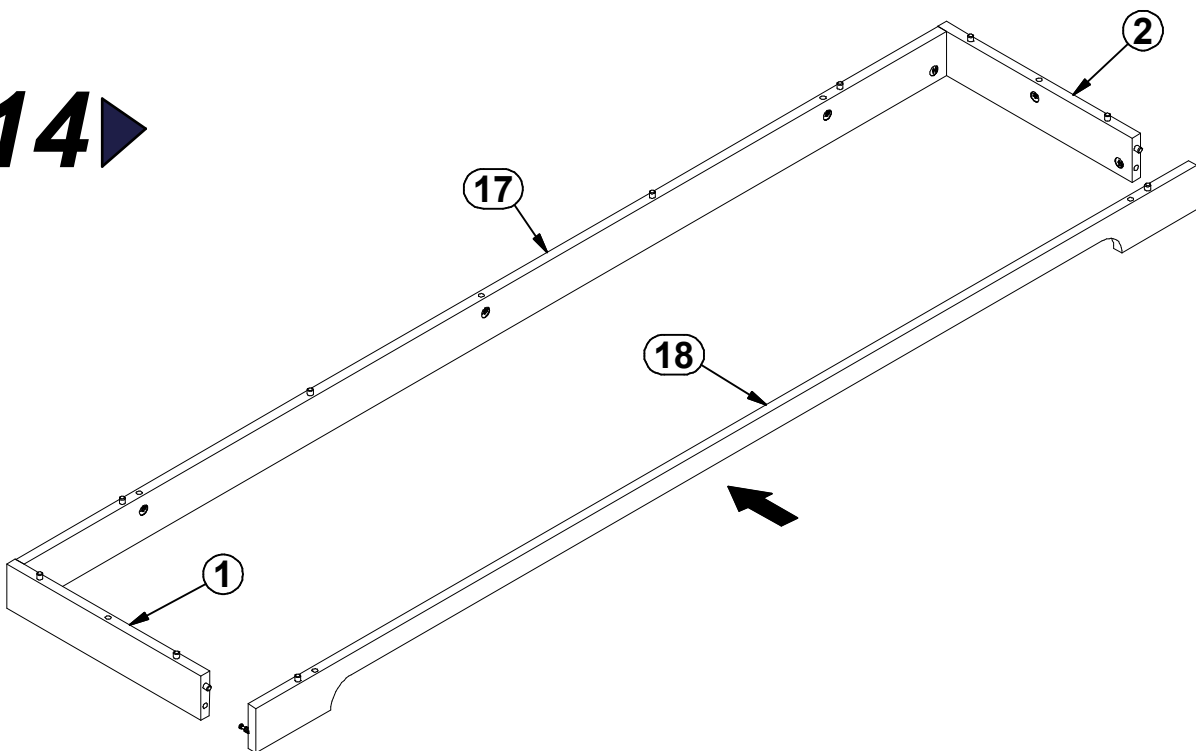
▶ 12



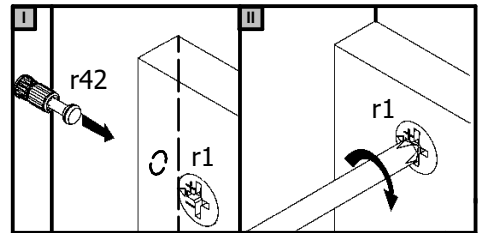
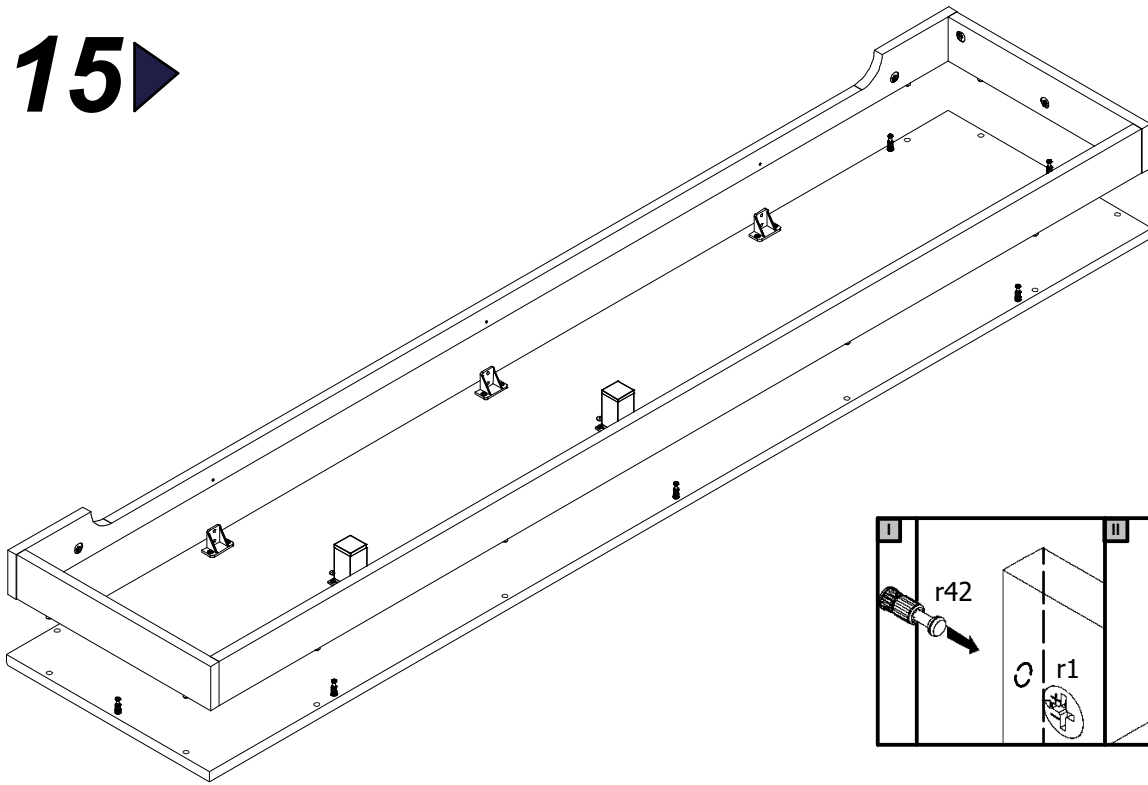
13▶



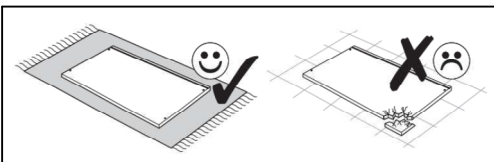
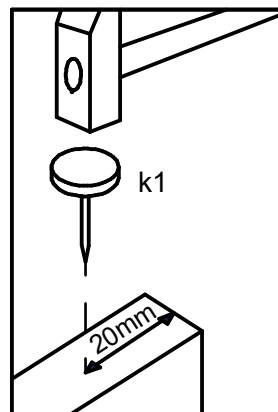
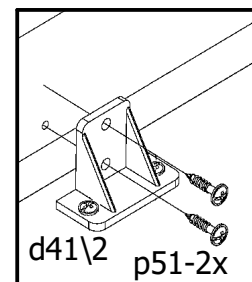
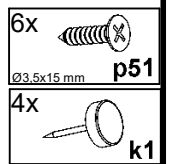
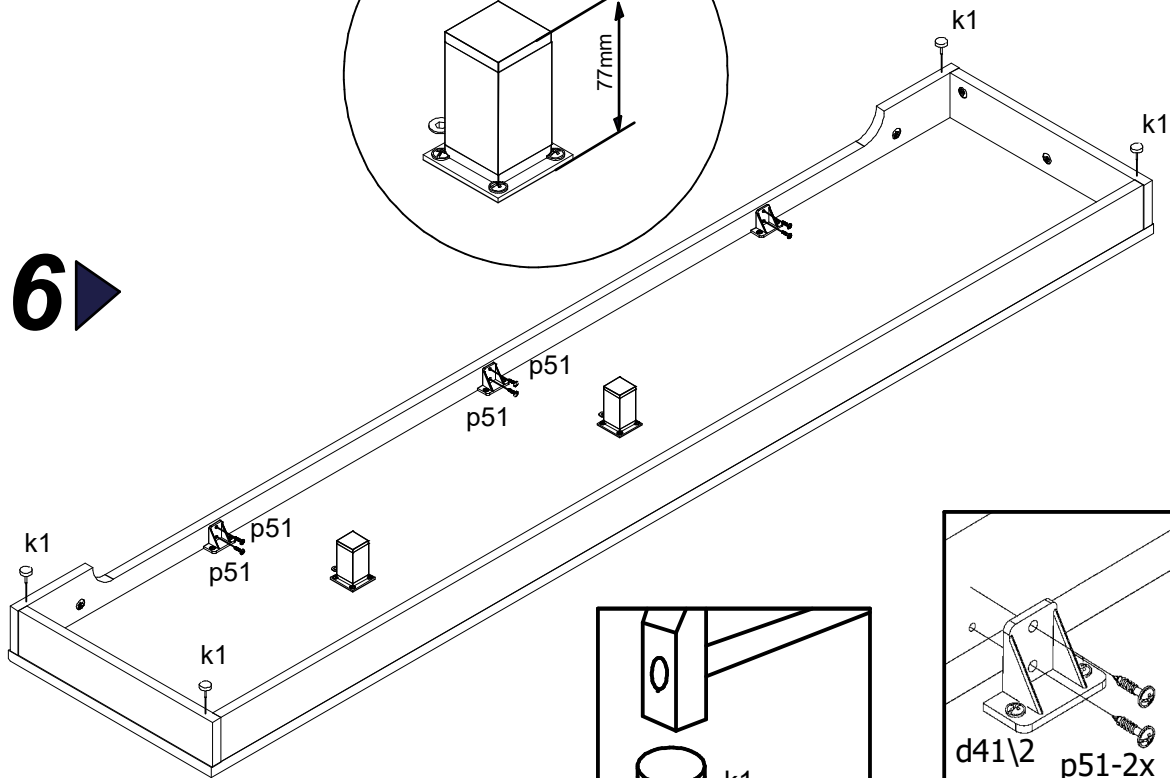
14▶



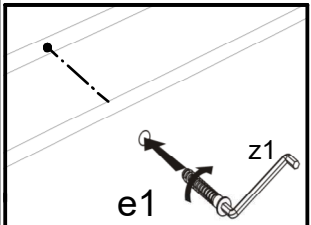
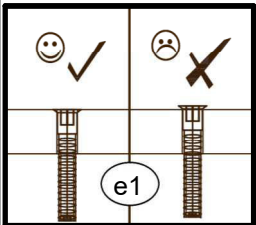
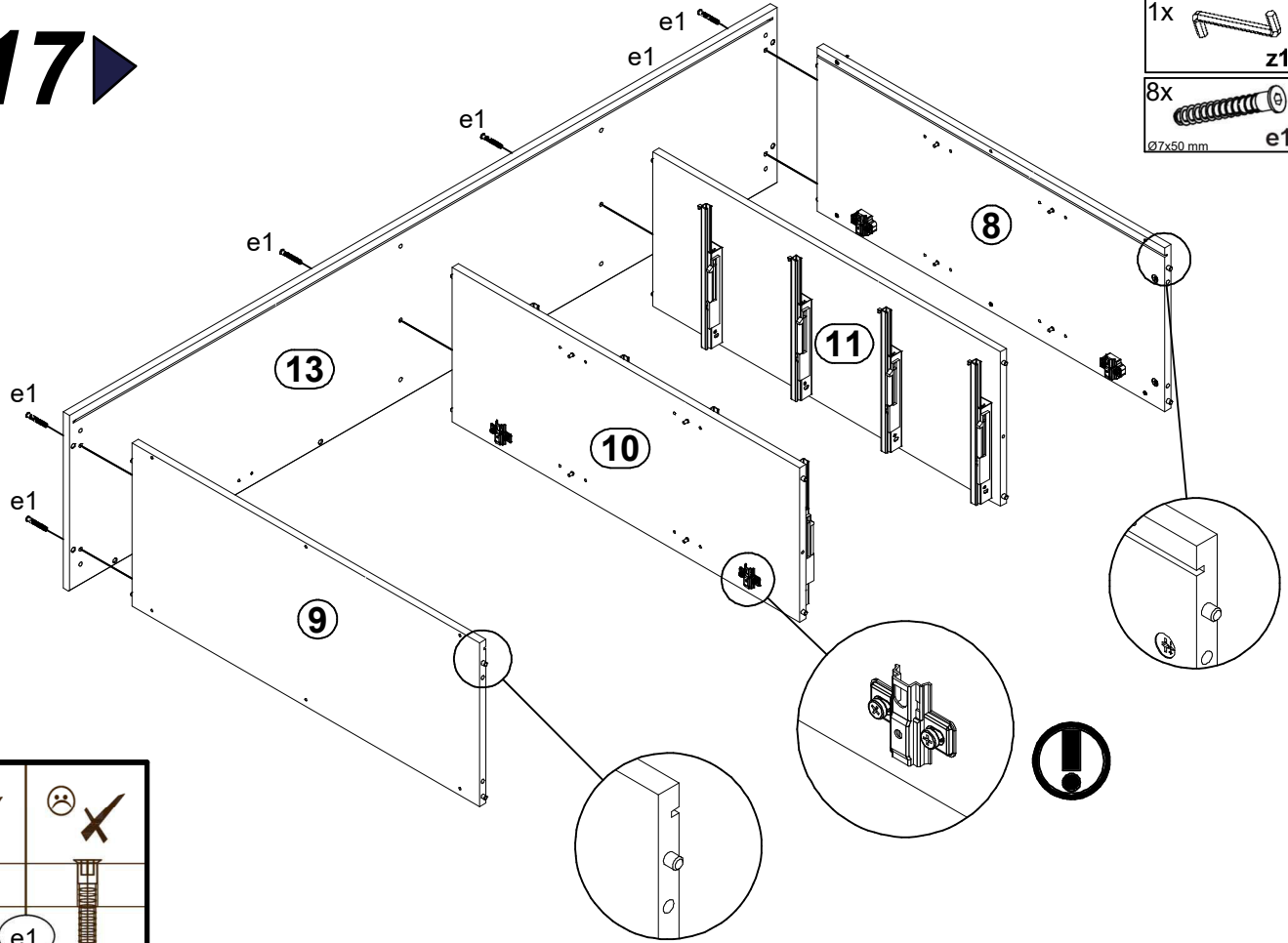
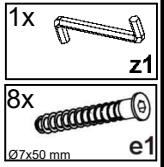
15 ▶



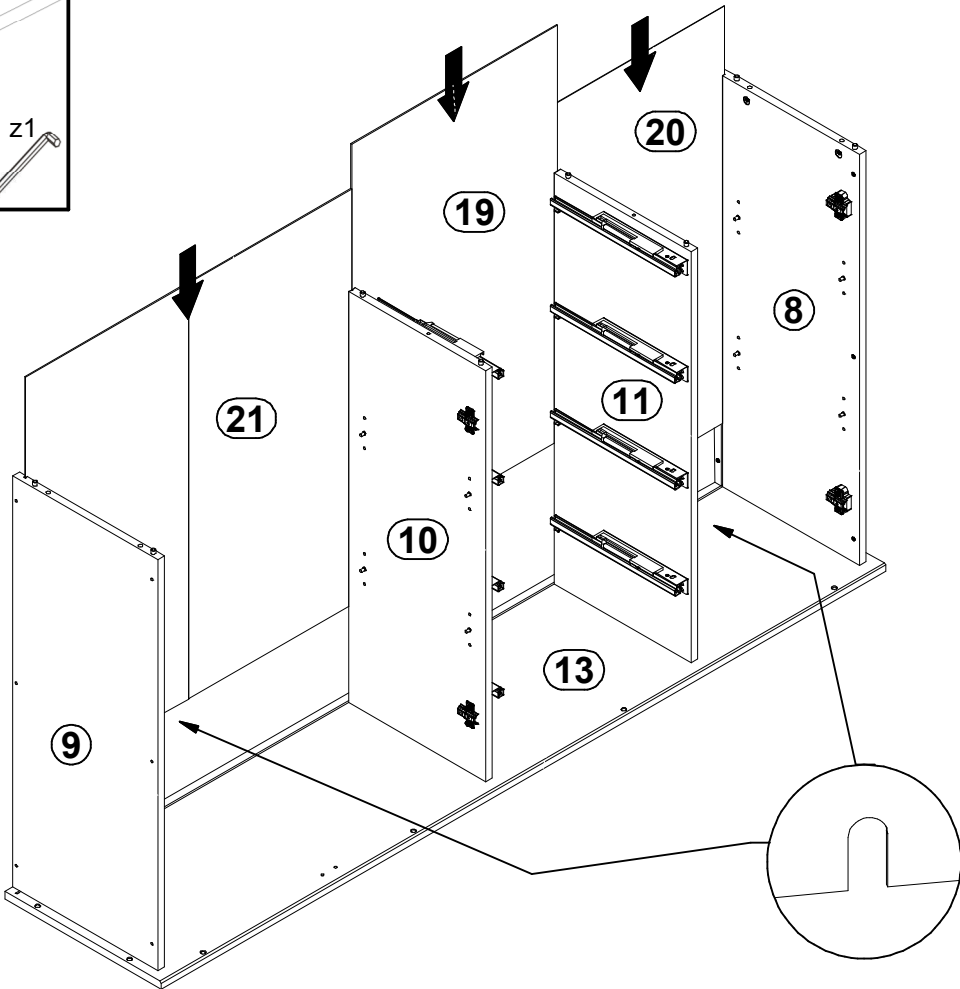
16 ▶



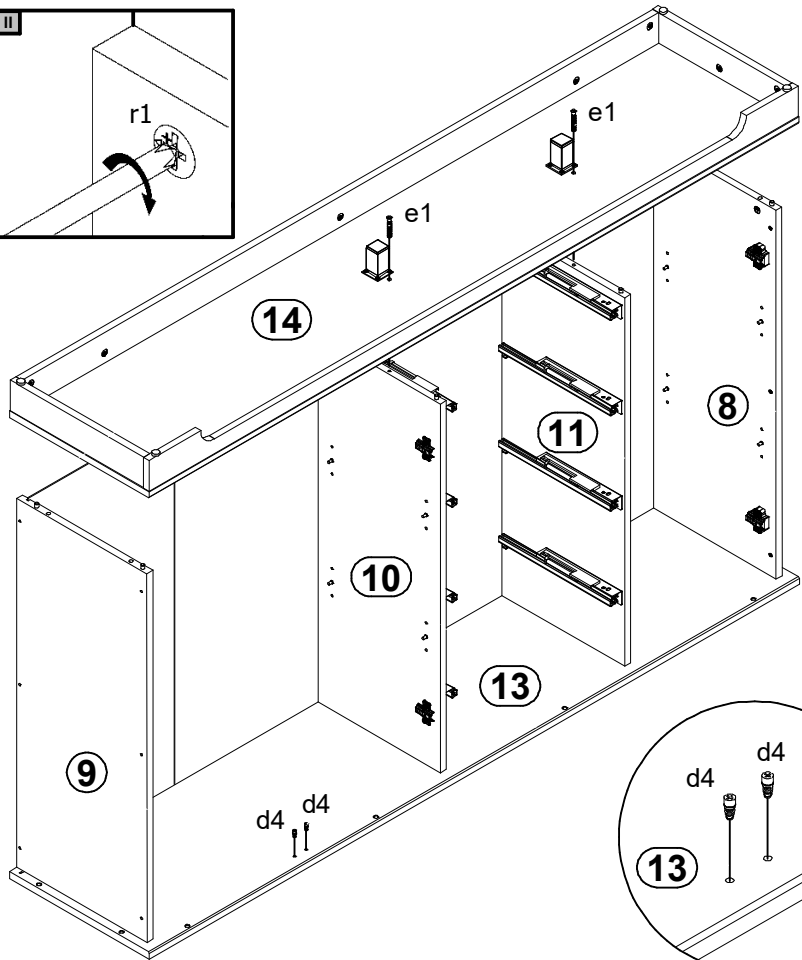
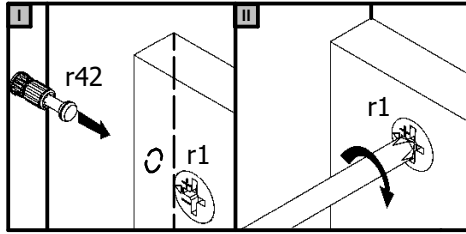
17 ▶



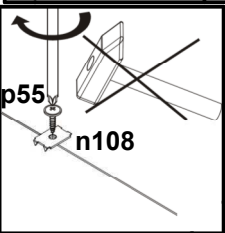
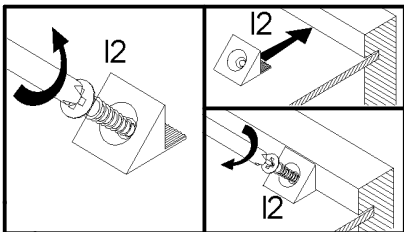
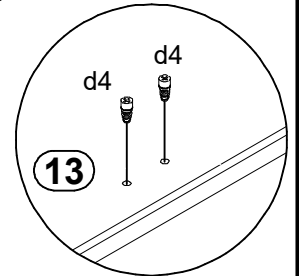
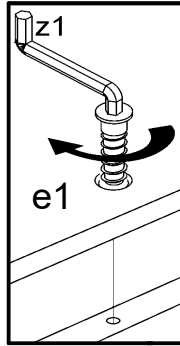
◀ 18



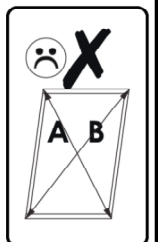
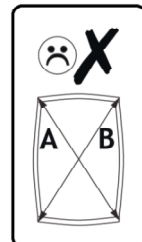
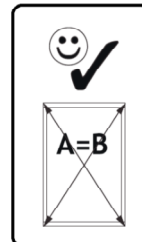
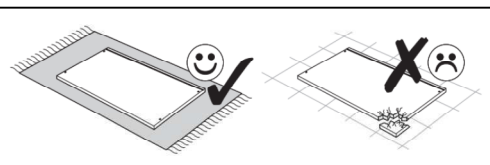
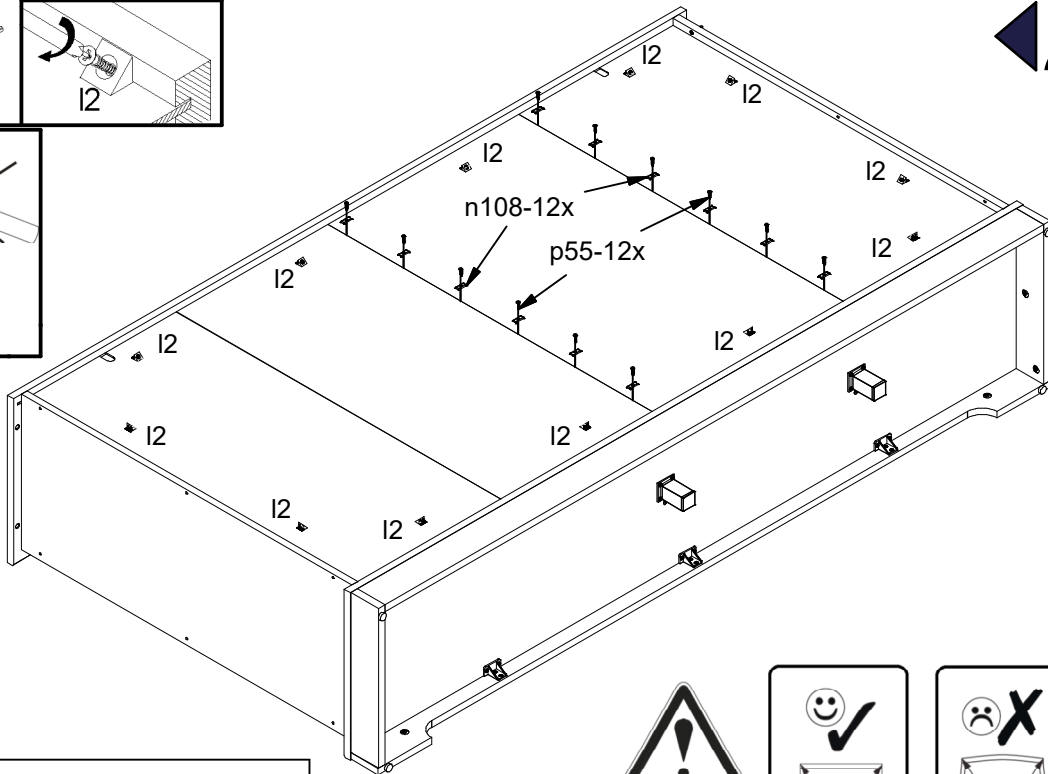
19 ▶



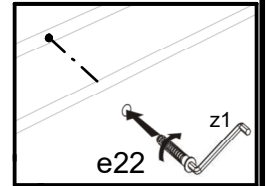
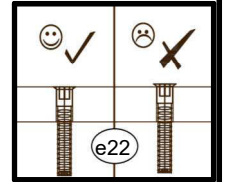
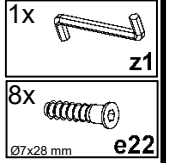
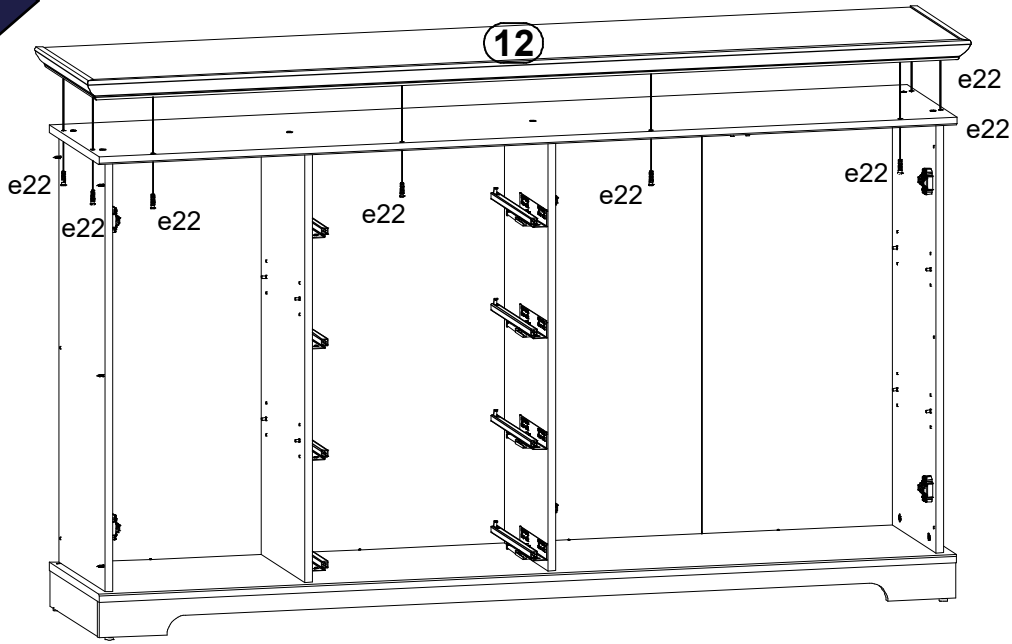
- 2x e1
Ø7x50 mm
- 12x p55
Ø2,9x16 mm
- 12x l2
- 12x n108
20x13x3,5/1
- 2x d4
Ø6,3x15 mm



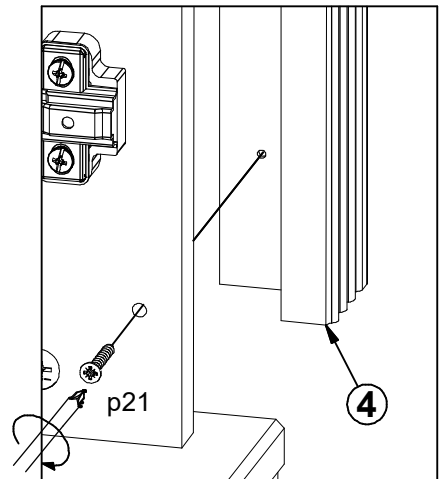
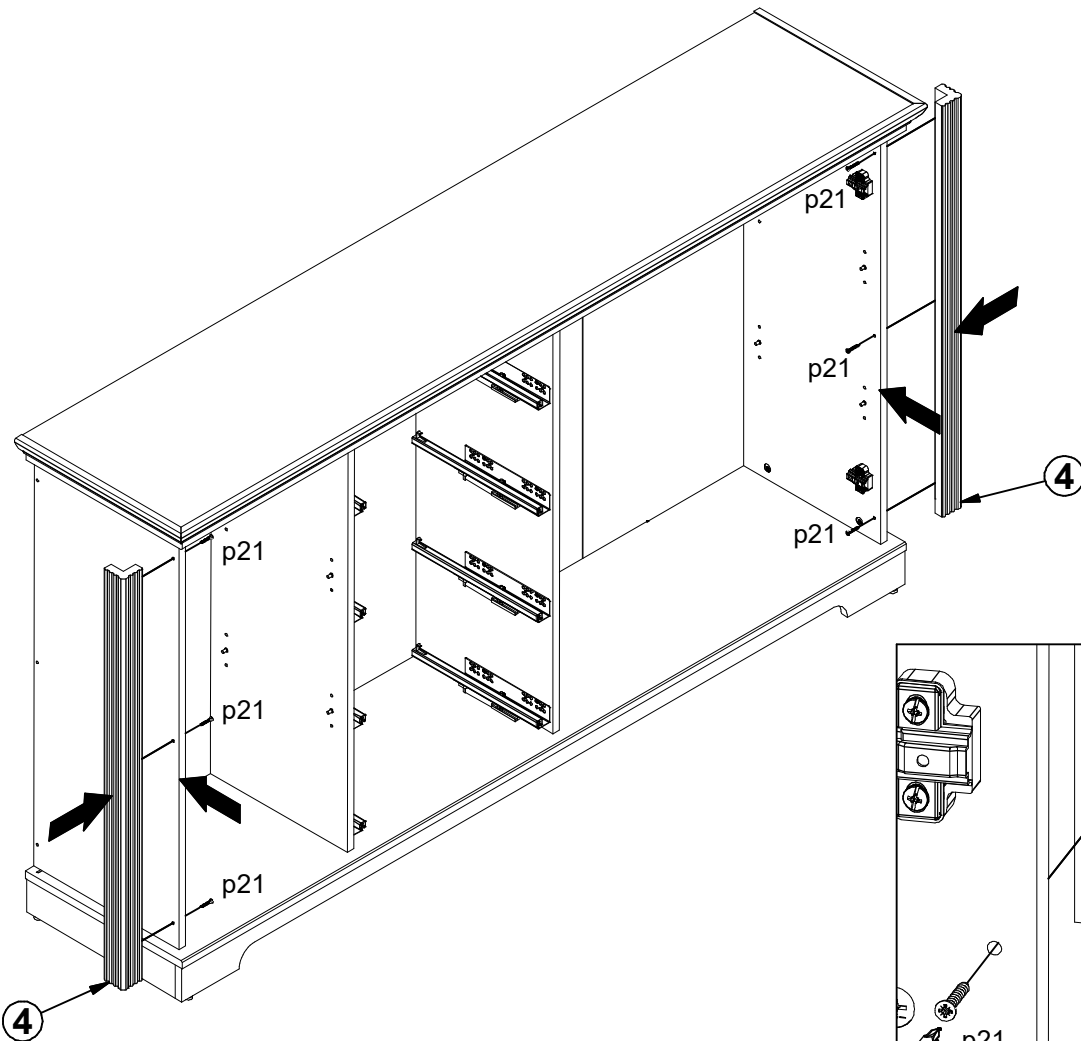
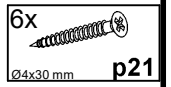
◀ 20



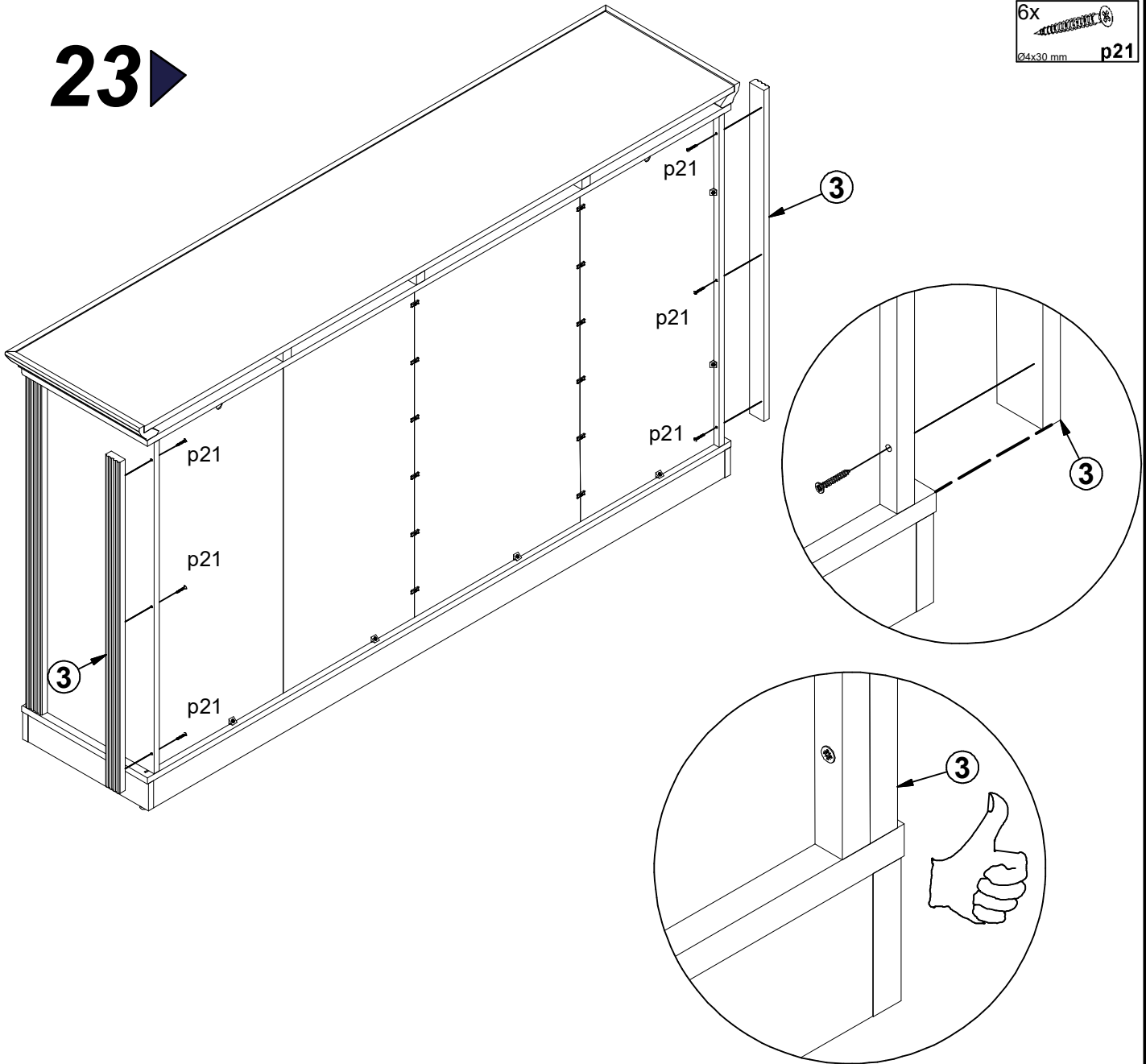
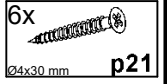
21 ▶



◀ 22

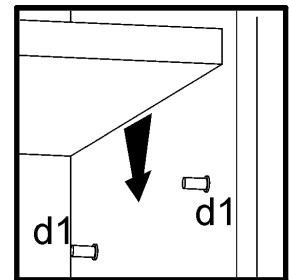
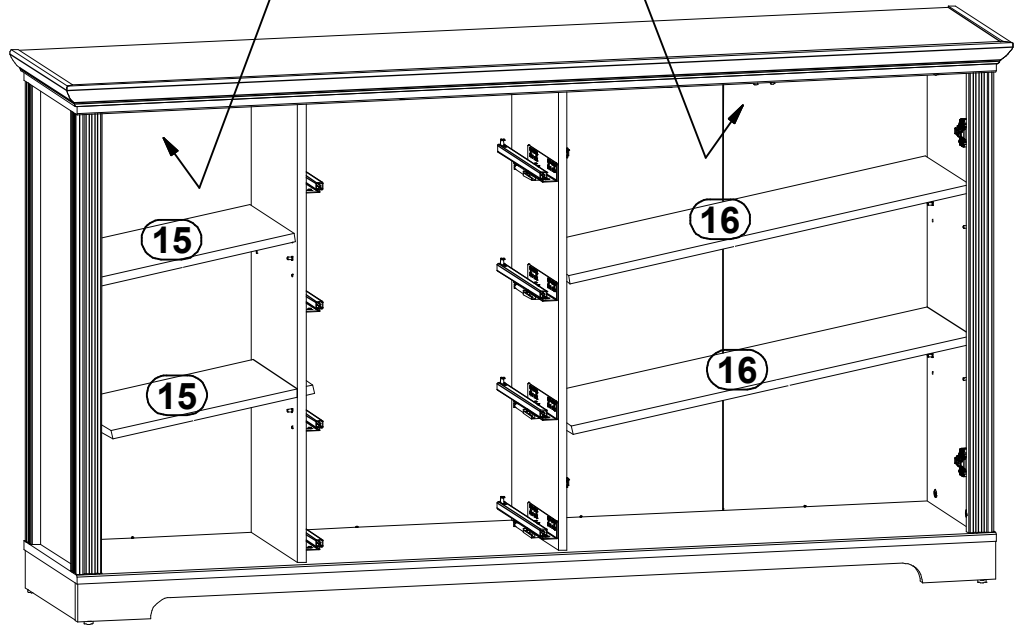
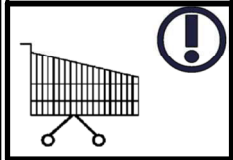
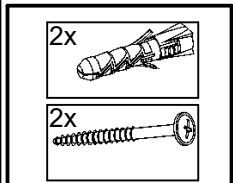
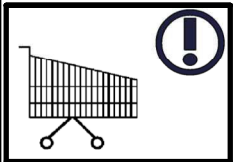
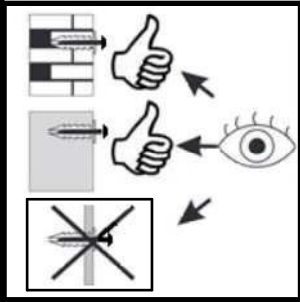
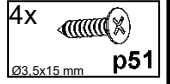
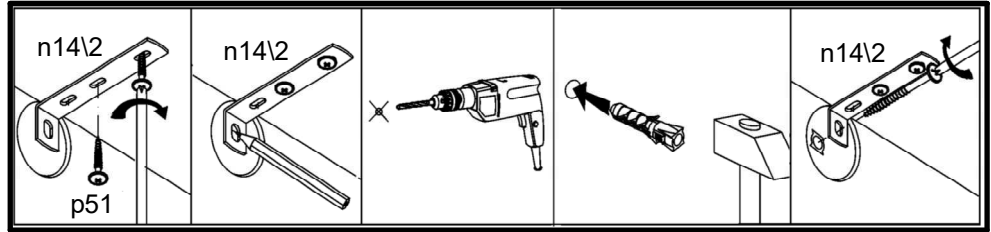


23 ▶

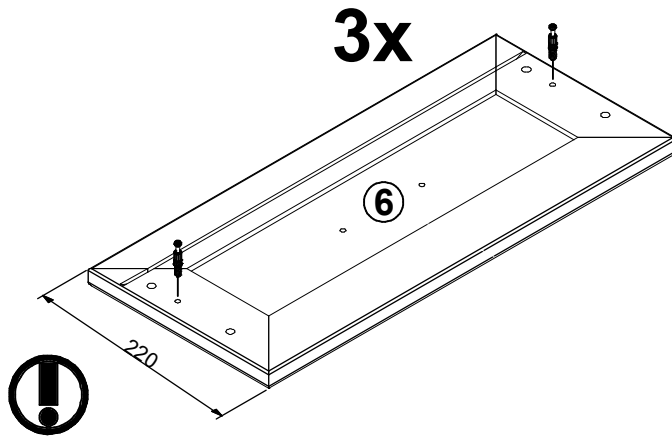




24

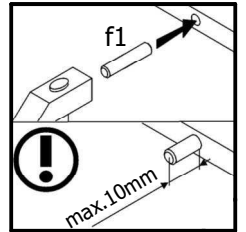
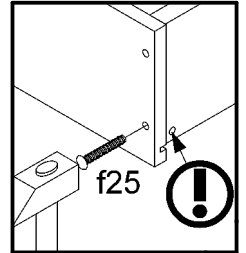
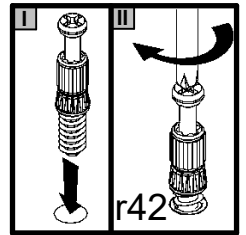
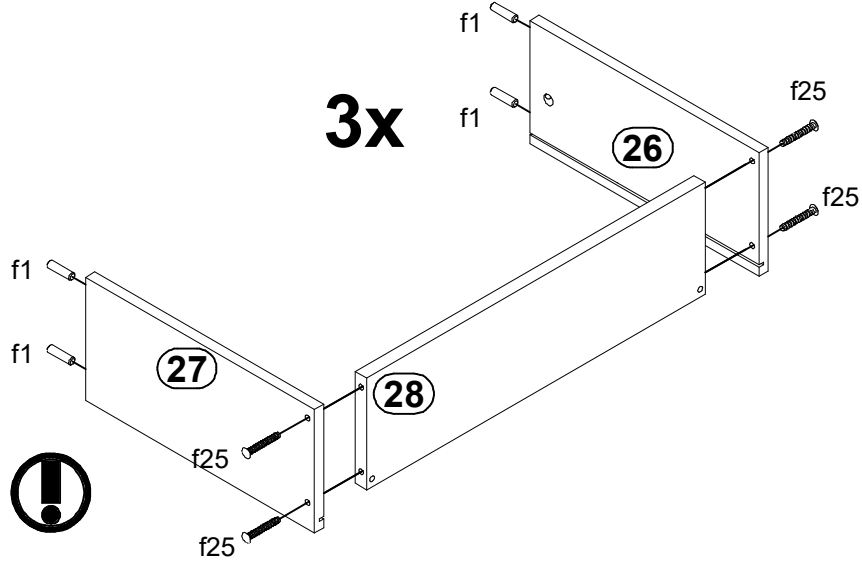


25 ▶

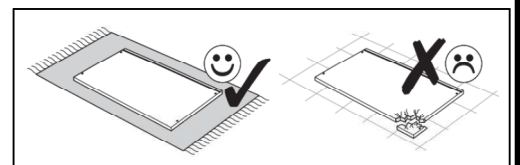
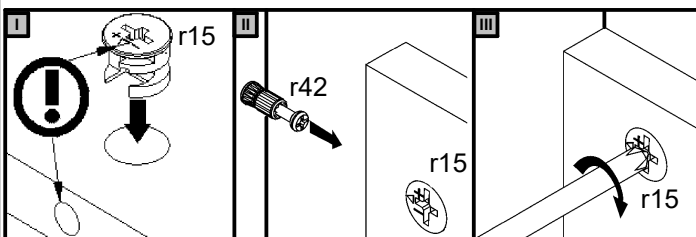
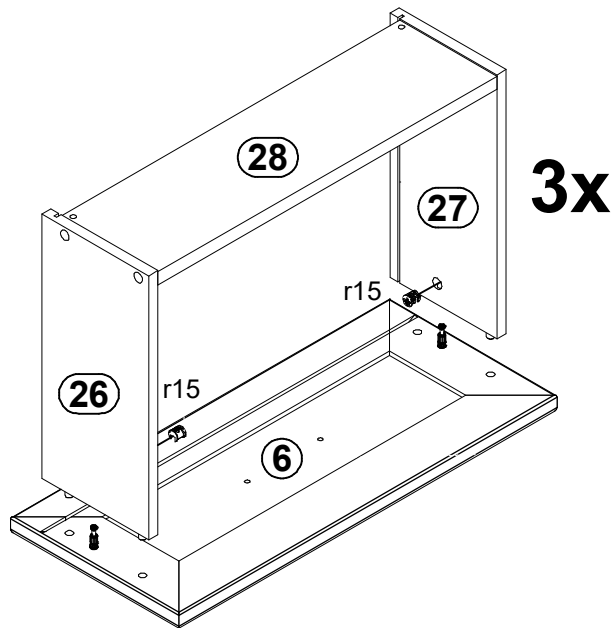


- 6x r42
- 6x r15
- 12x f25
- 12x f1

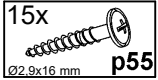
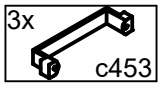
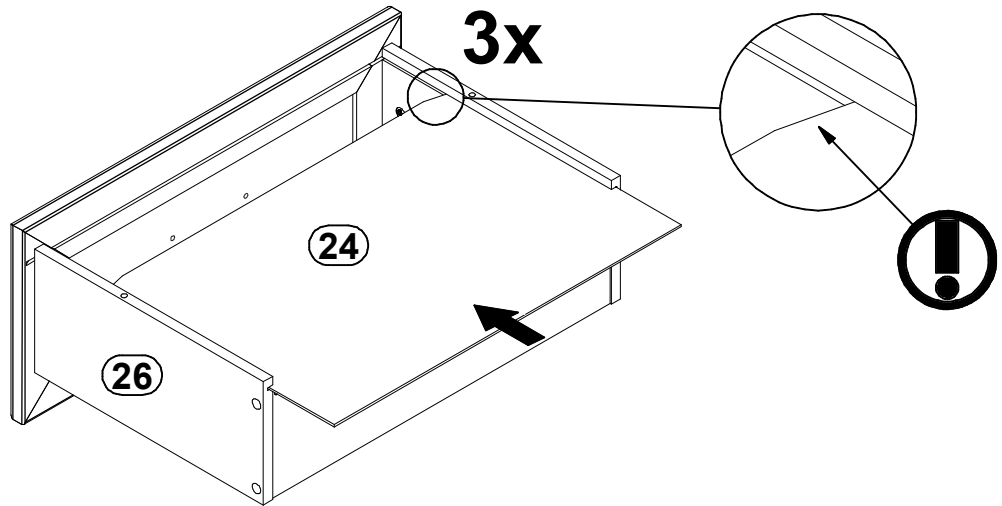
26 ▶



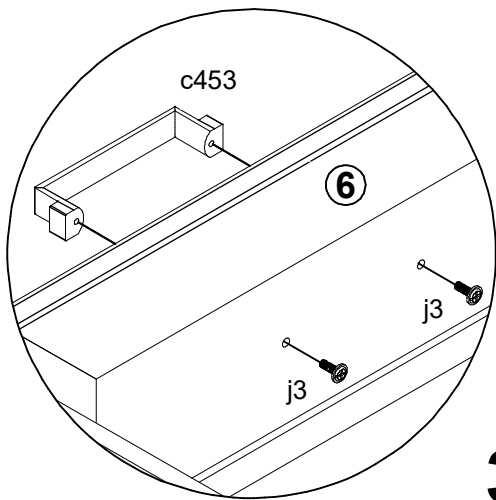
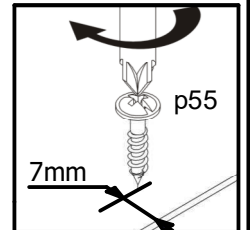
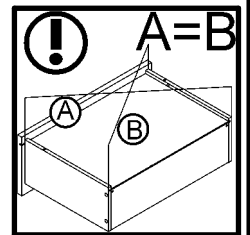
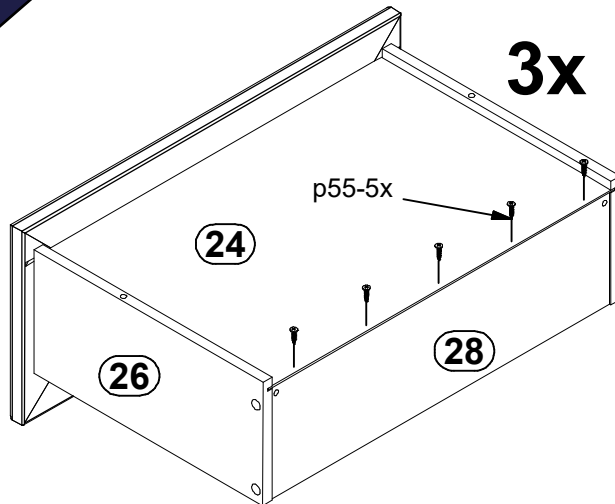
27 ▶



28 ▶

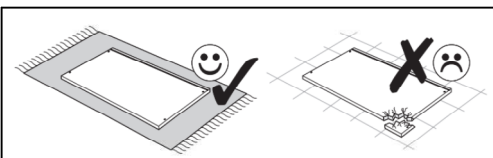
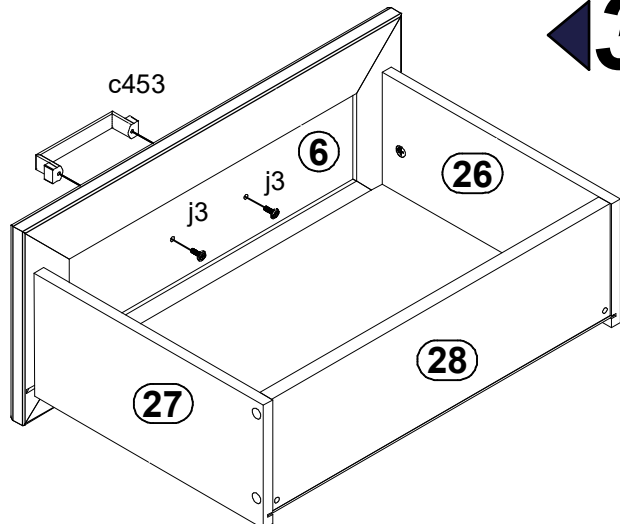


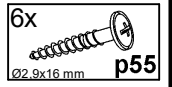
29 ▶



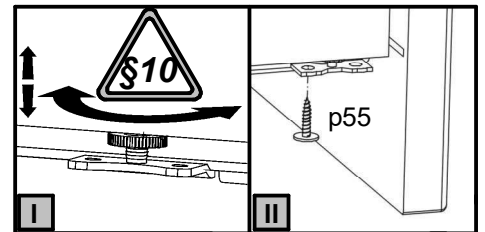
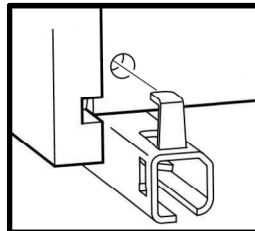
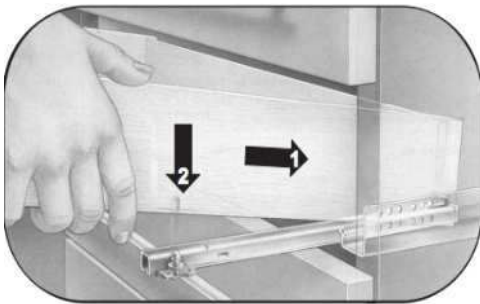
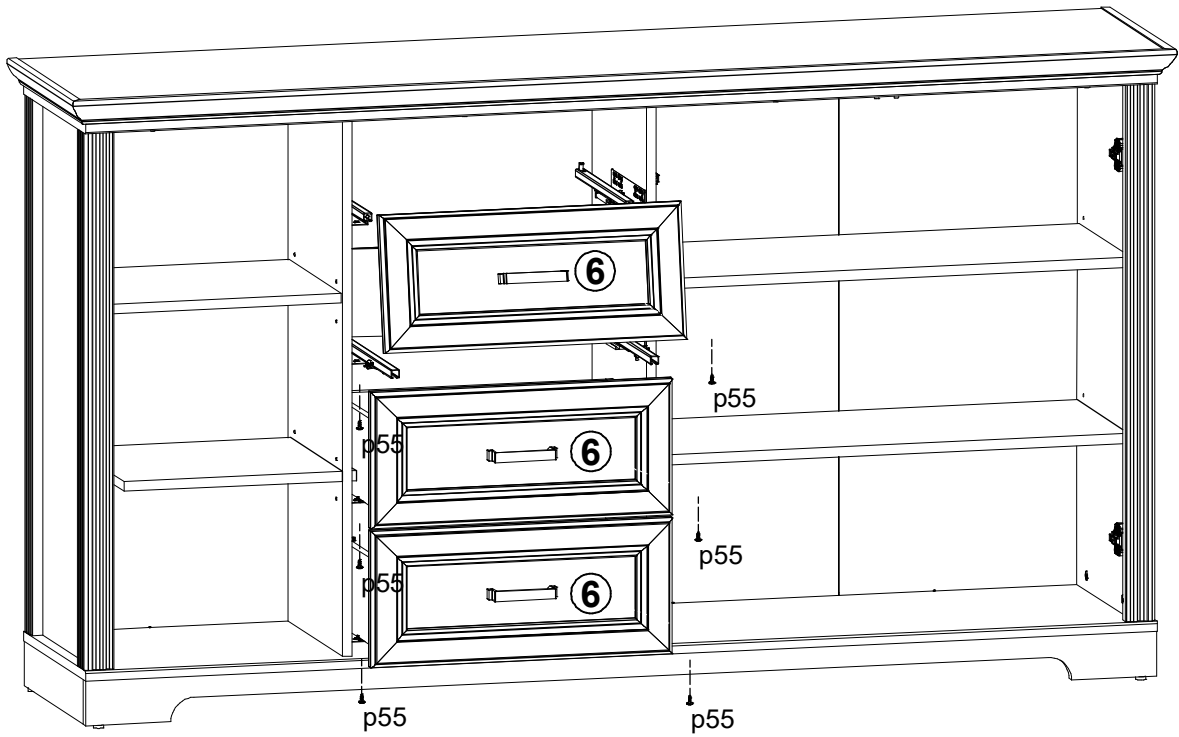
◀ 30

3x



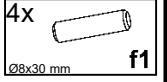
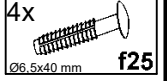
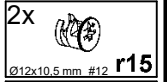
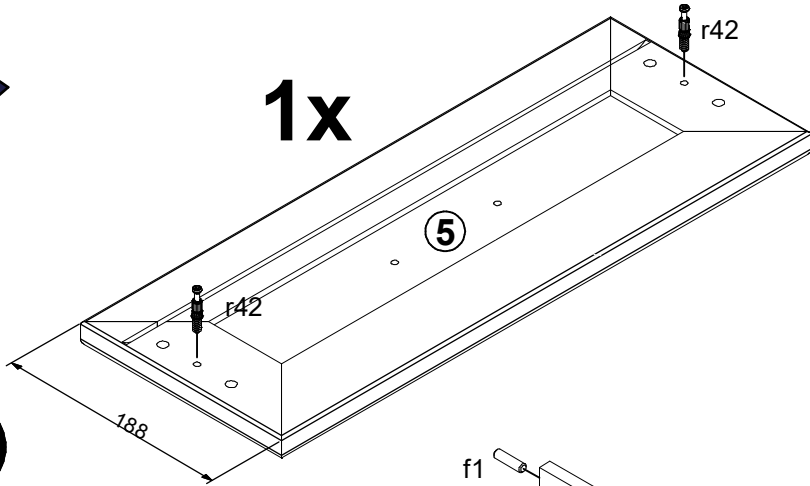


31 ▶



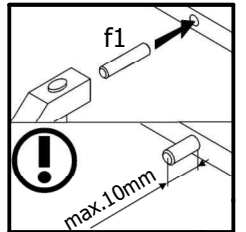
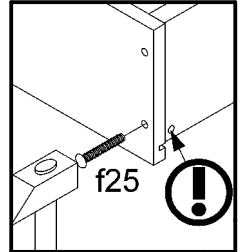
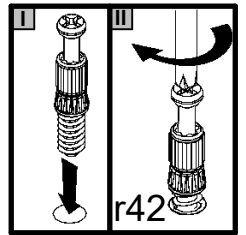
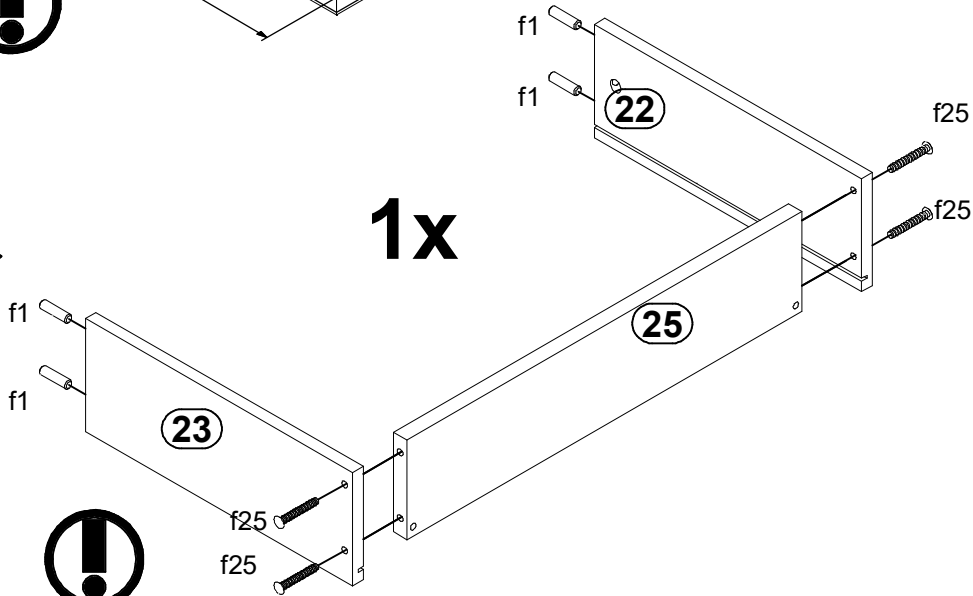
32 ▶

1x



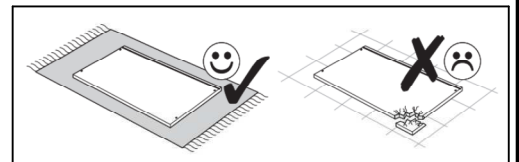
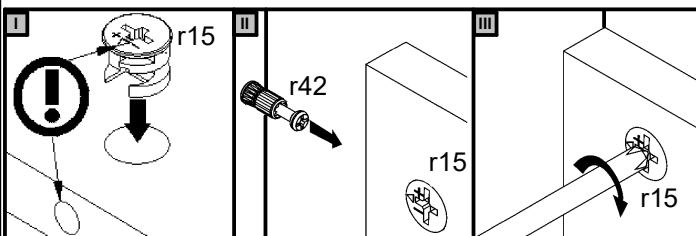
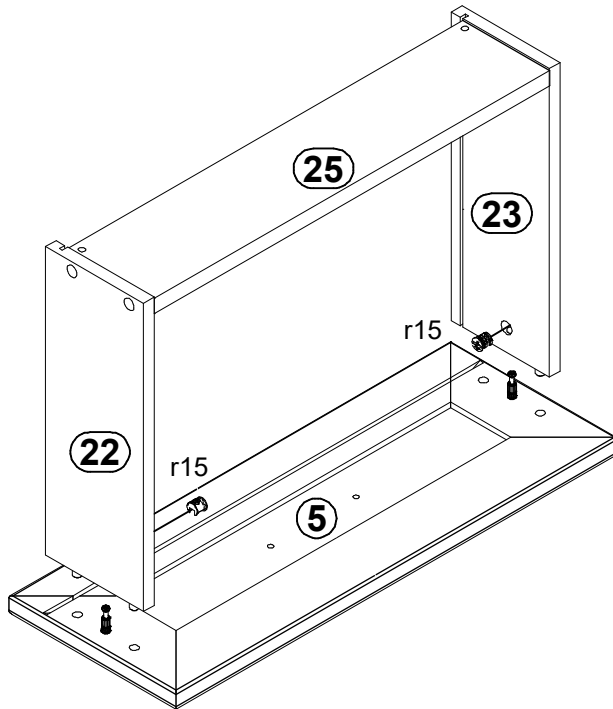
33 ▶

1x



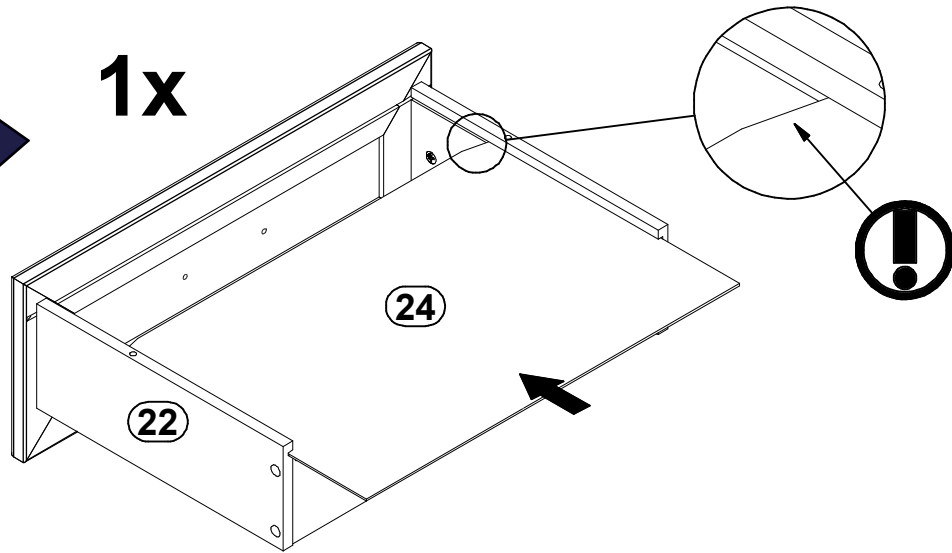
34 ▶



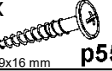
1x



35 ▶

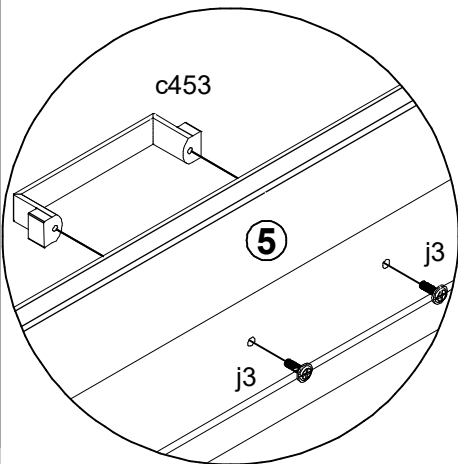
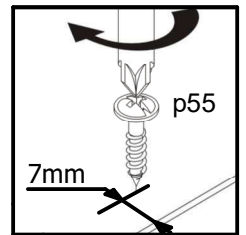
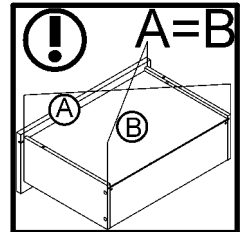
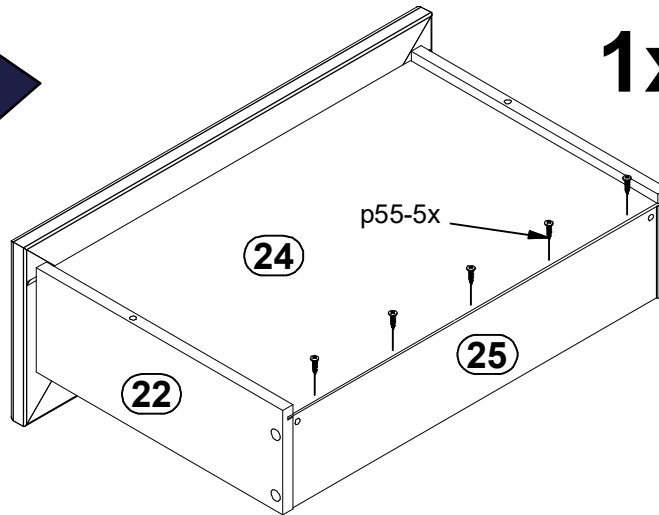
1x



- 1x  c453
- 2x  j3
M4x12 mm
- 5x  p55
Ø2.9x16 mm

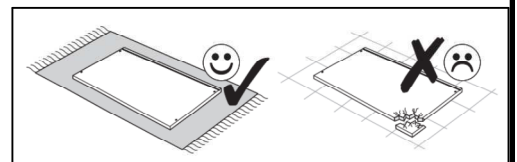
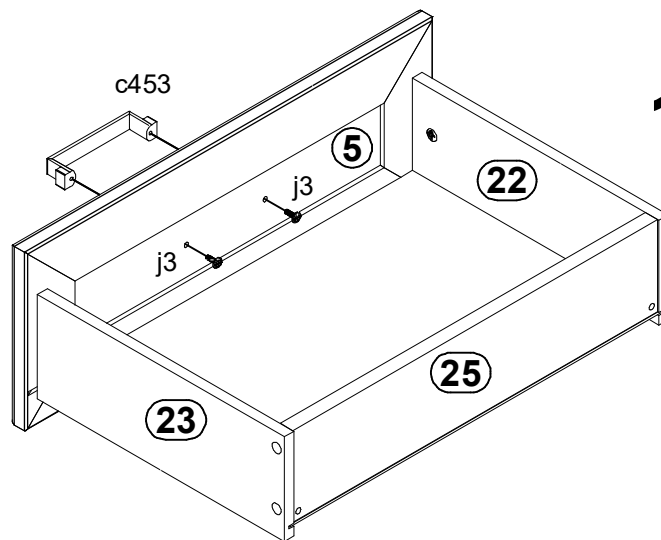
36 ▶

1x

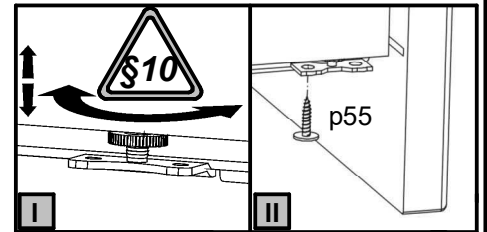
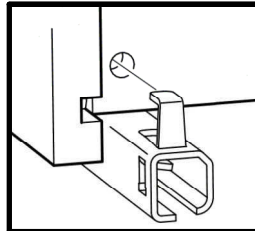
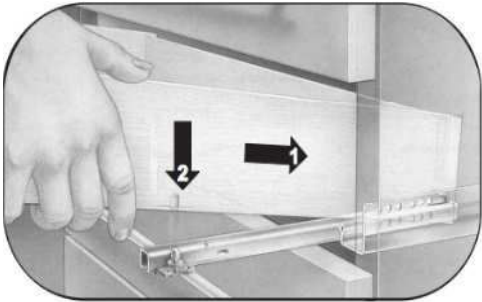
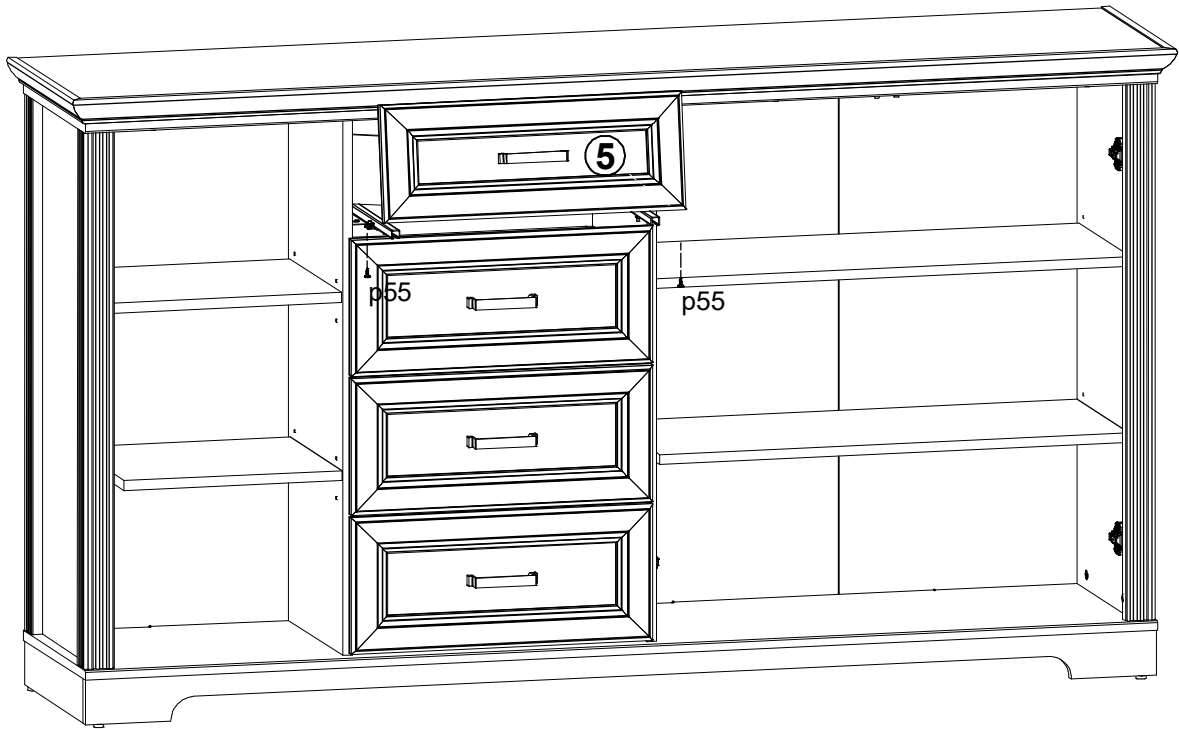
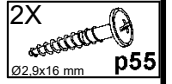


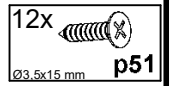
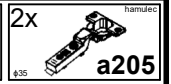
37 ▶

1x

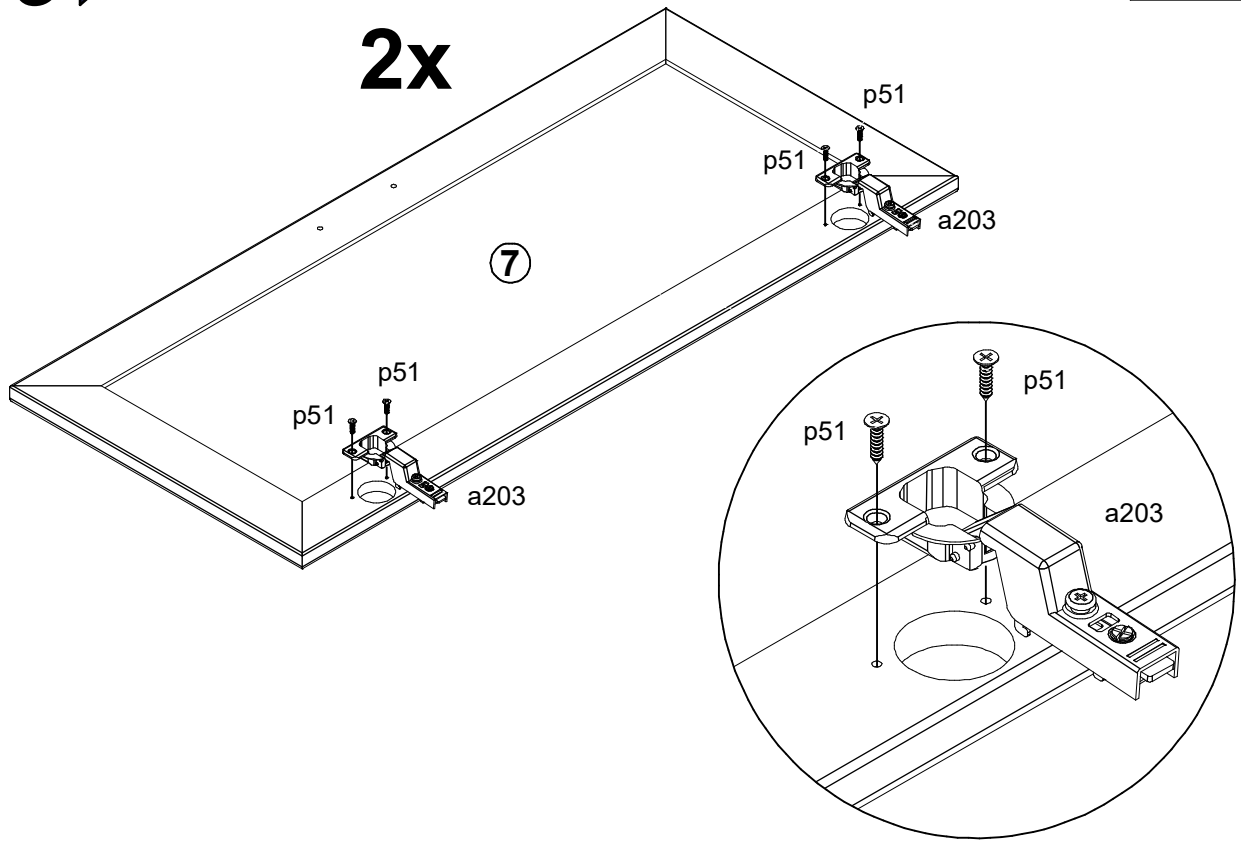


38 ▶

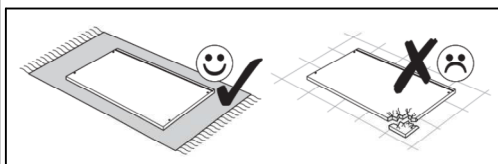
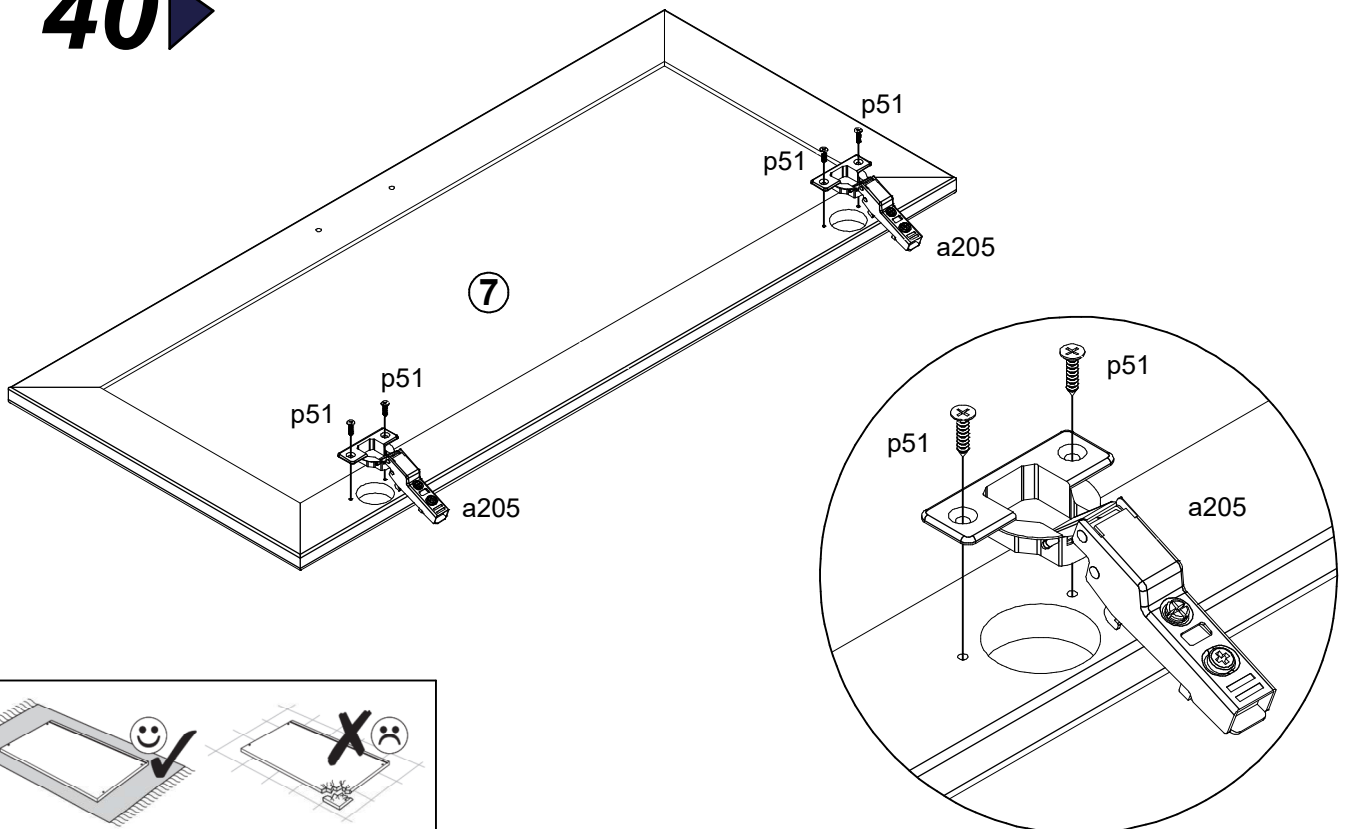




39 ▶



40 ▶



41 ▶

