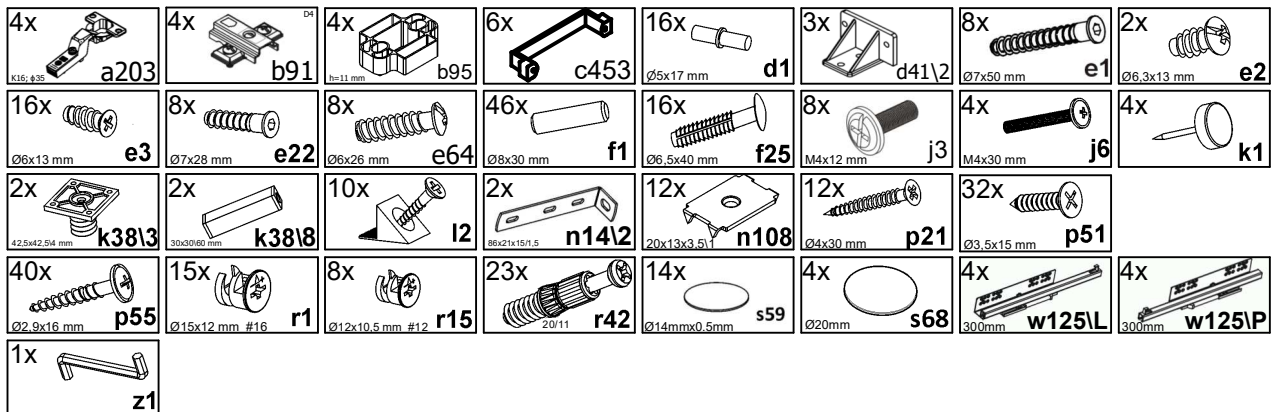
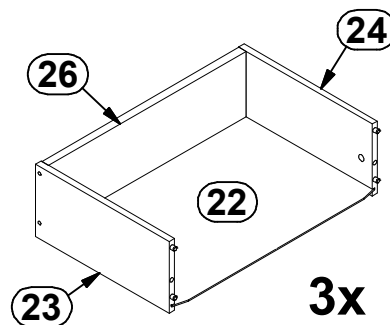
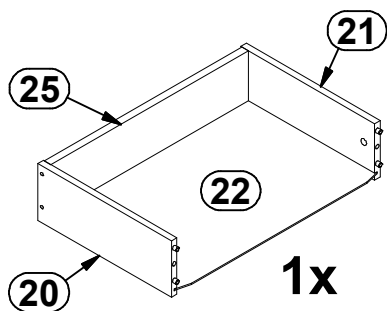
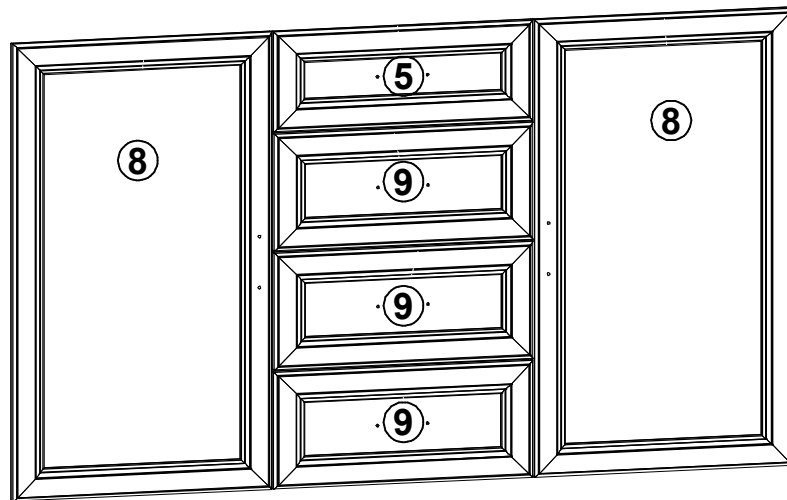
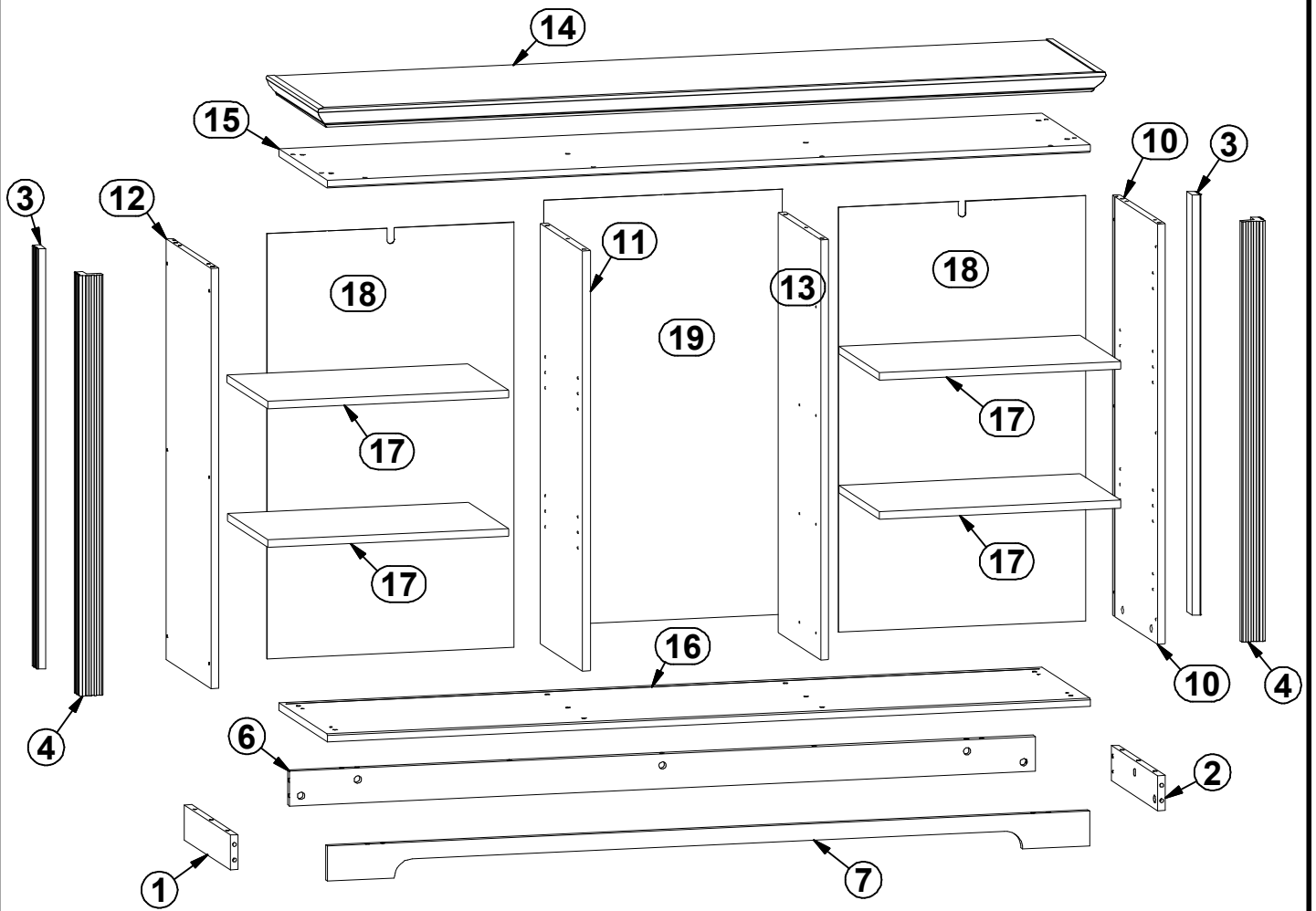
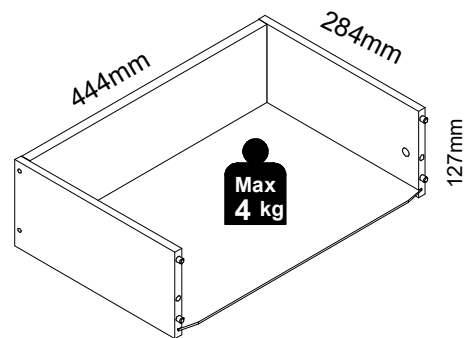
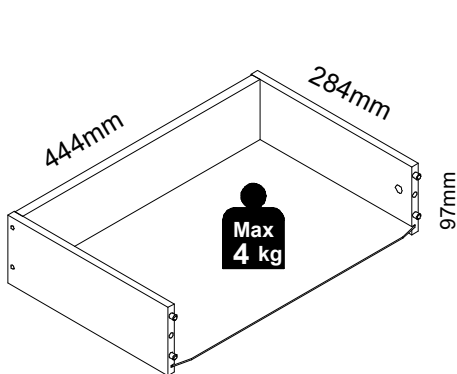
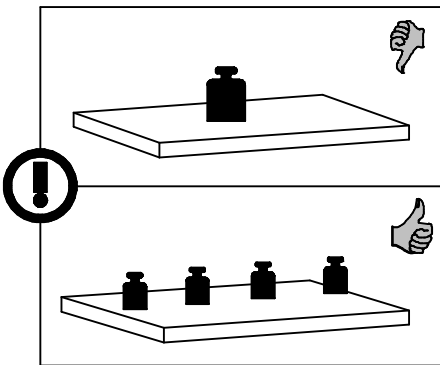
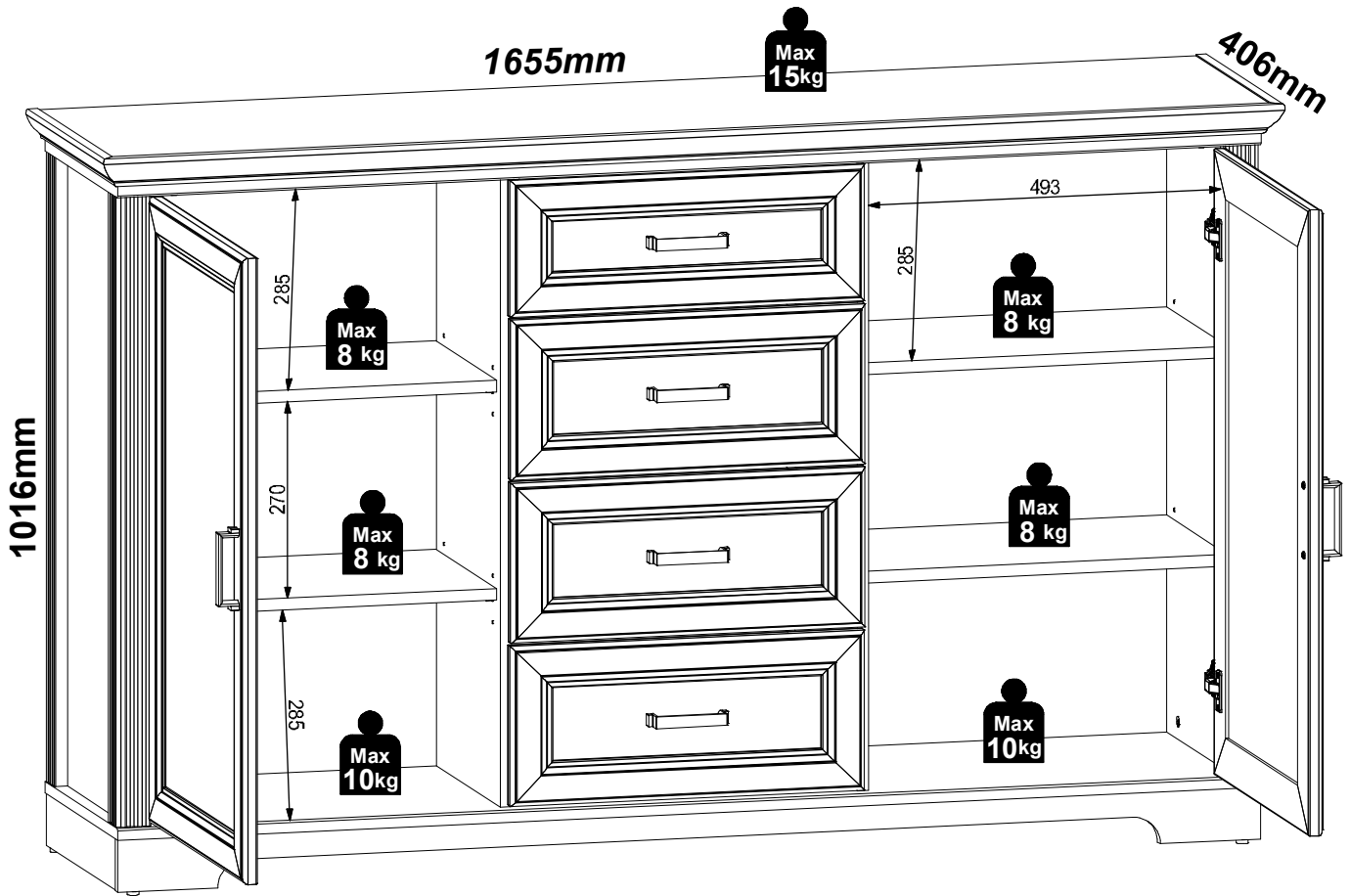
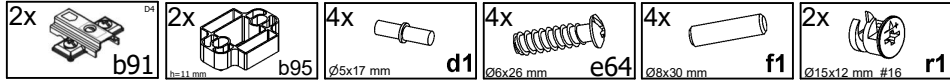


A	B1	B2	C1	C2	C3	D
1	M261-4102	-2	363	72	16	2/3
2	M261-4103	-2	363	72	16	2/3
3	M261-5001	-3	866	43	19	1/3
4	M261-5002	-3	866	49	49	1/3
5	S713-0008	-1	496	188	22	3/3
6	S529-4103	-2	1566	72	16	2/3
7	S529-4151	A.2	1600	72	15	2/3
8	S713-0004	-2	860	496	22	3/3
9	S713-0005	-2	496	220	22	3/3
10	S713-1002	-1	866	353	16	1/3
11	S713-1007	-2	866	333	16	1/3
12	S713-1001	-1	866	353	16	1/3
13	S713-1009	-2	866	333	16	1/3
14	S713-2006	-2	1655	406	43	2/3
15	S713-2007	-2	1602	380	16	2/3
16	S713-2008	-2	1602	380	16	2/3
17	S713-3001	-1	506	318	16	3/3
18	S713-9003	-1	876	519	2,5	3/3
19	S713-9004	-1	876	501	2,5	3/3
20	WSQ2-5003	-10	300	110	12	3/3
21	WSQ2-5004	-9	300	110	12	3/3
22	WDF-9086	-	454	308	2,5	3/3
23	WSQ3-5003	-7	300	140	12	1/3
24	WSQ3-5004	-7	300	140	12	1/3
25	STQ-5168	-	444	97	15	2/3
26	STQ-5230	-	444	127	15	2/3

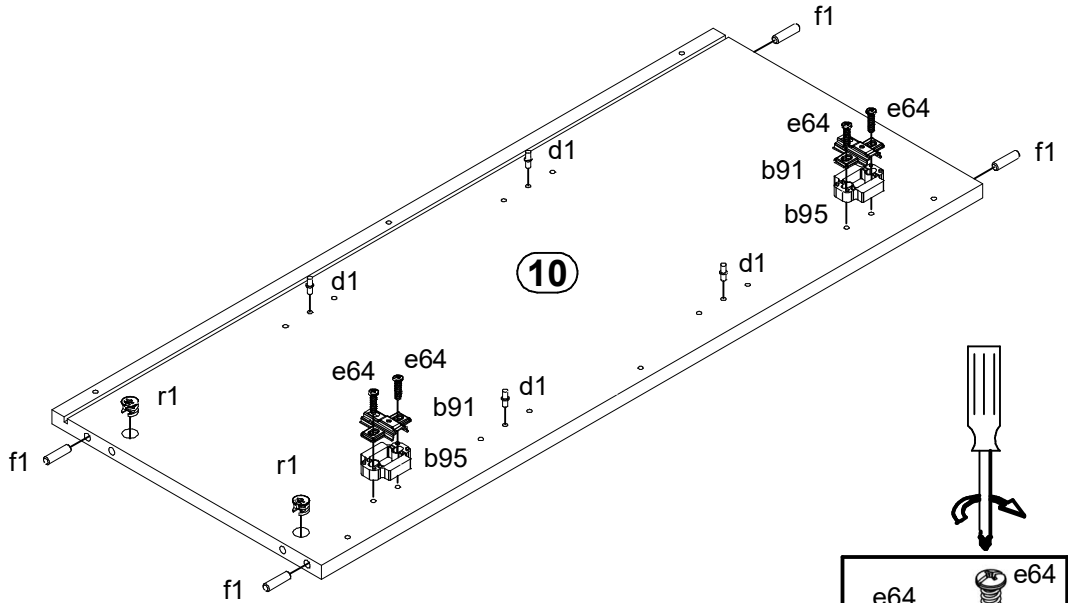




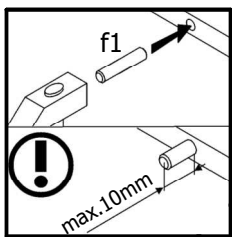
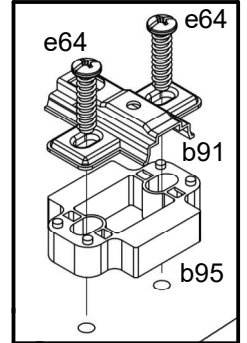
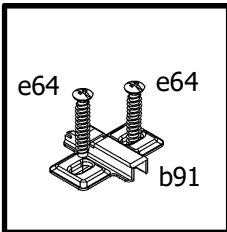
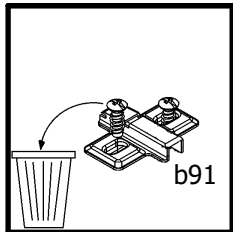
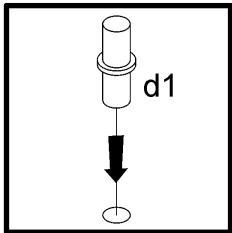
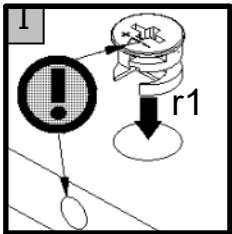




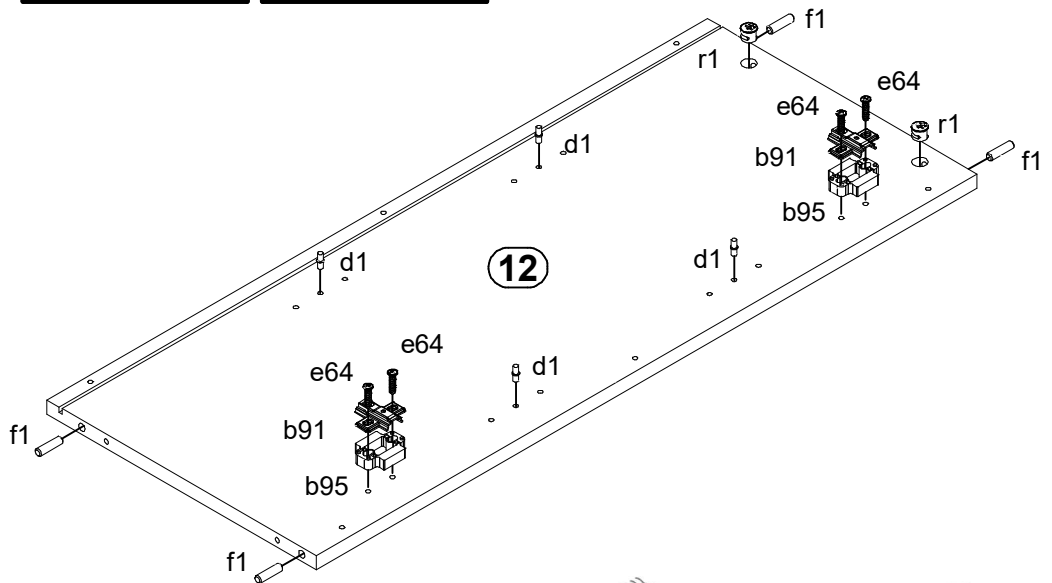
1 ▶



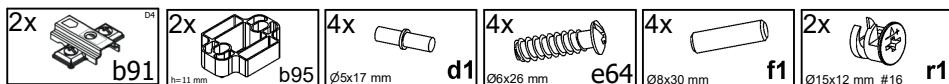
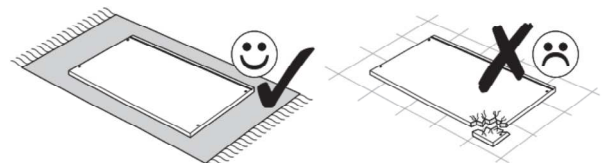
10

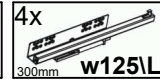
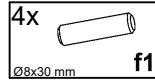
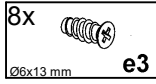
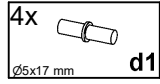


2 ▶

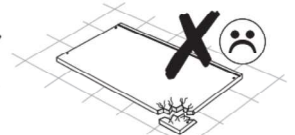
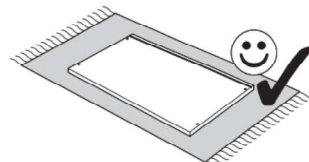
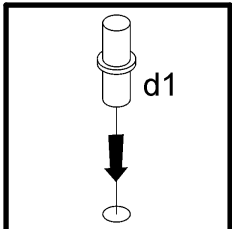
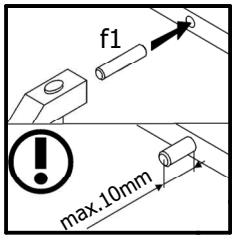
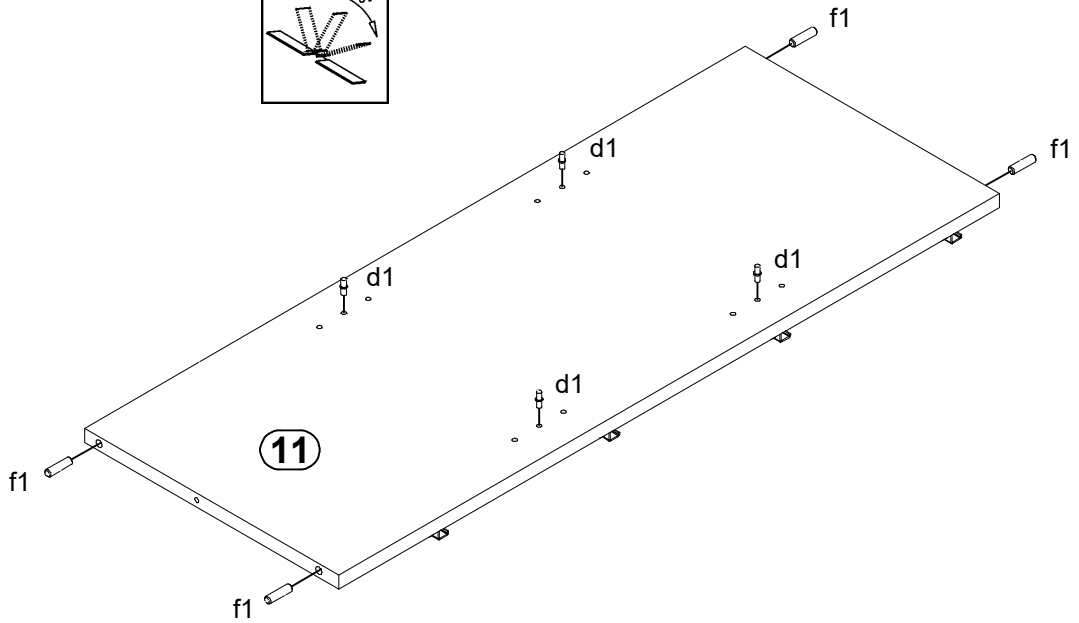
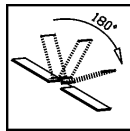
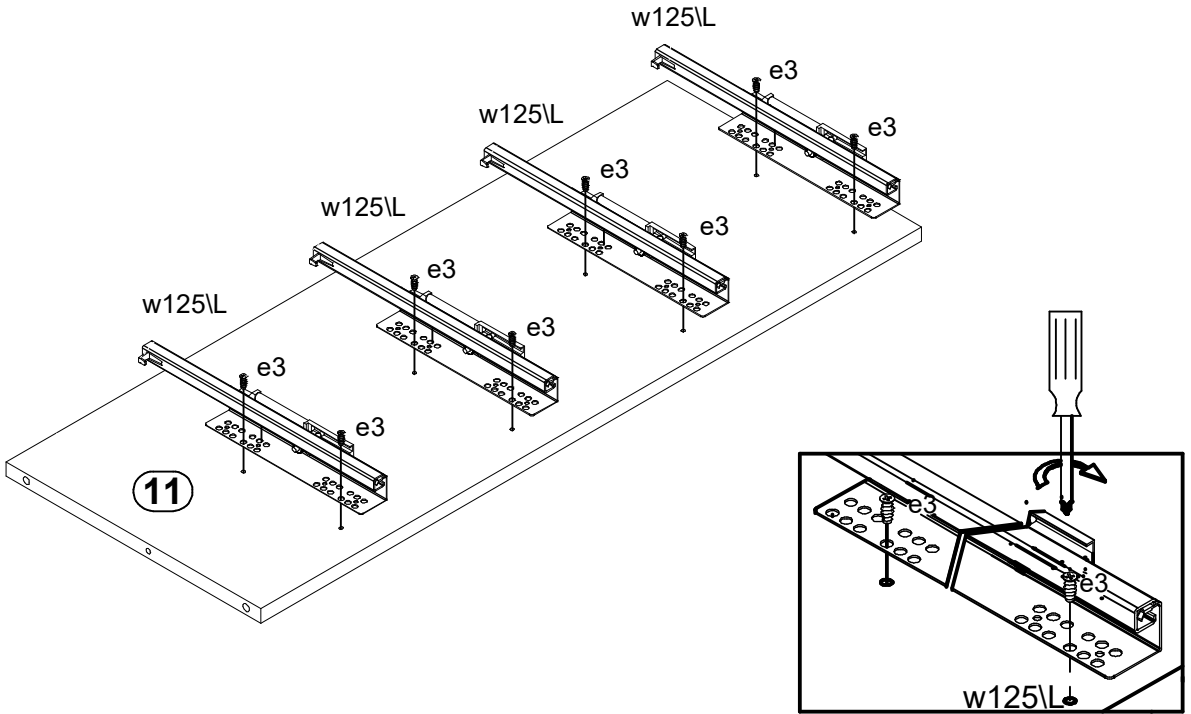


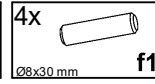
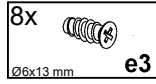
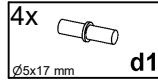
12



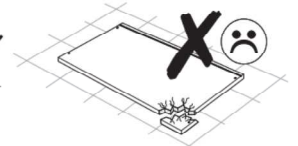
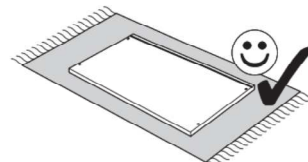
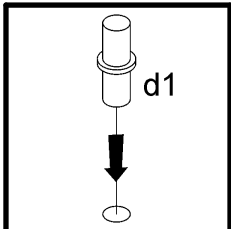
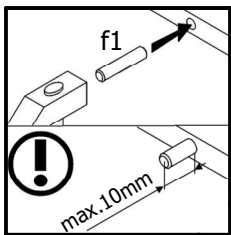
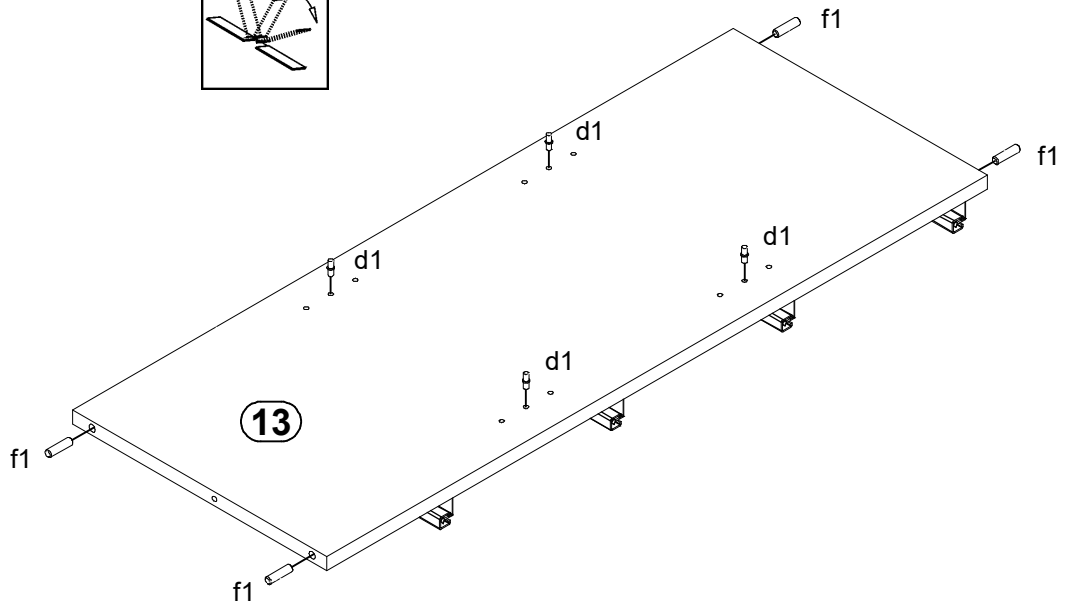
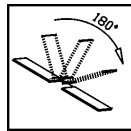
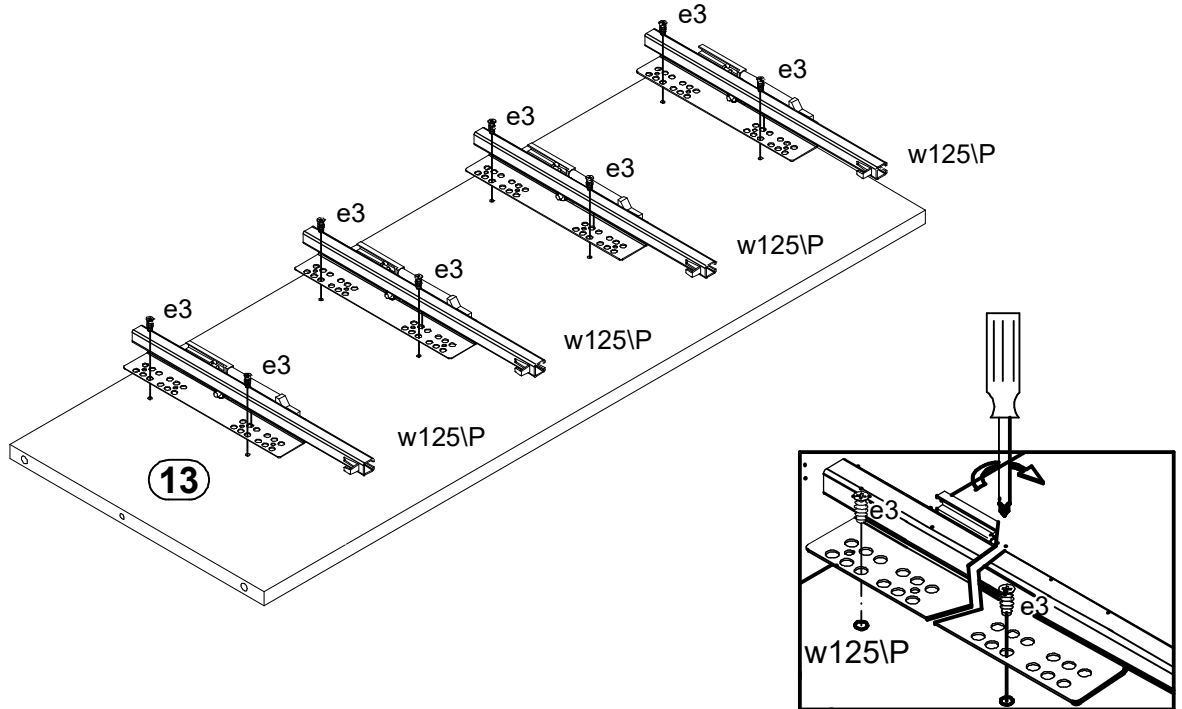


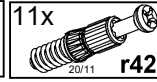
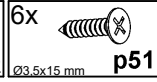
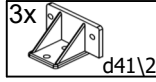
3 ▶



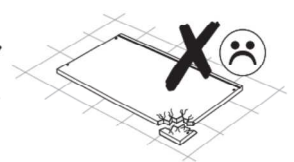
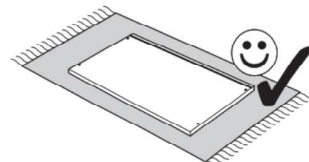
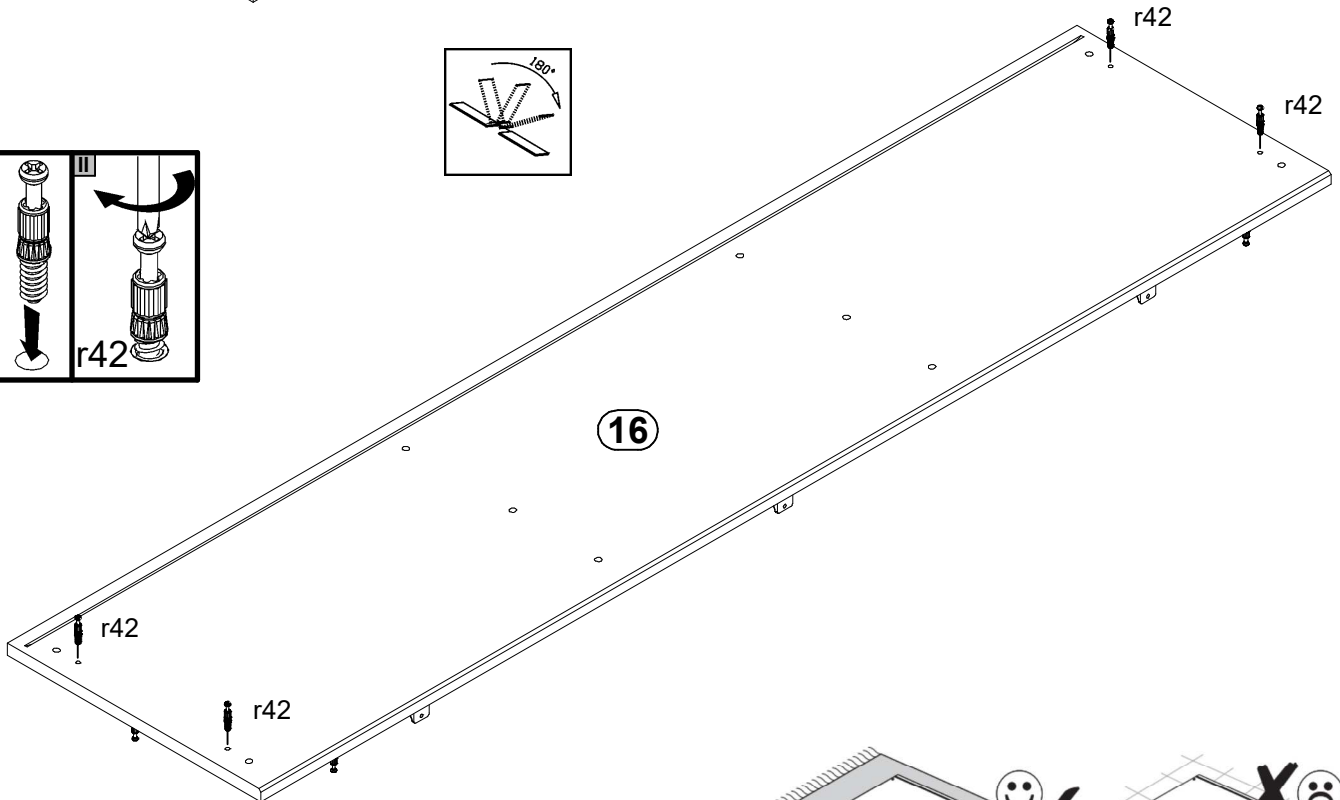
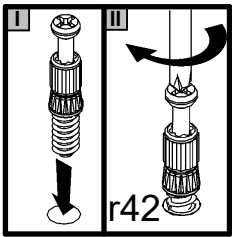
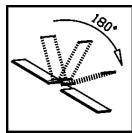
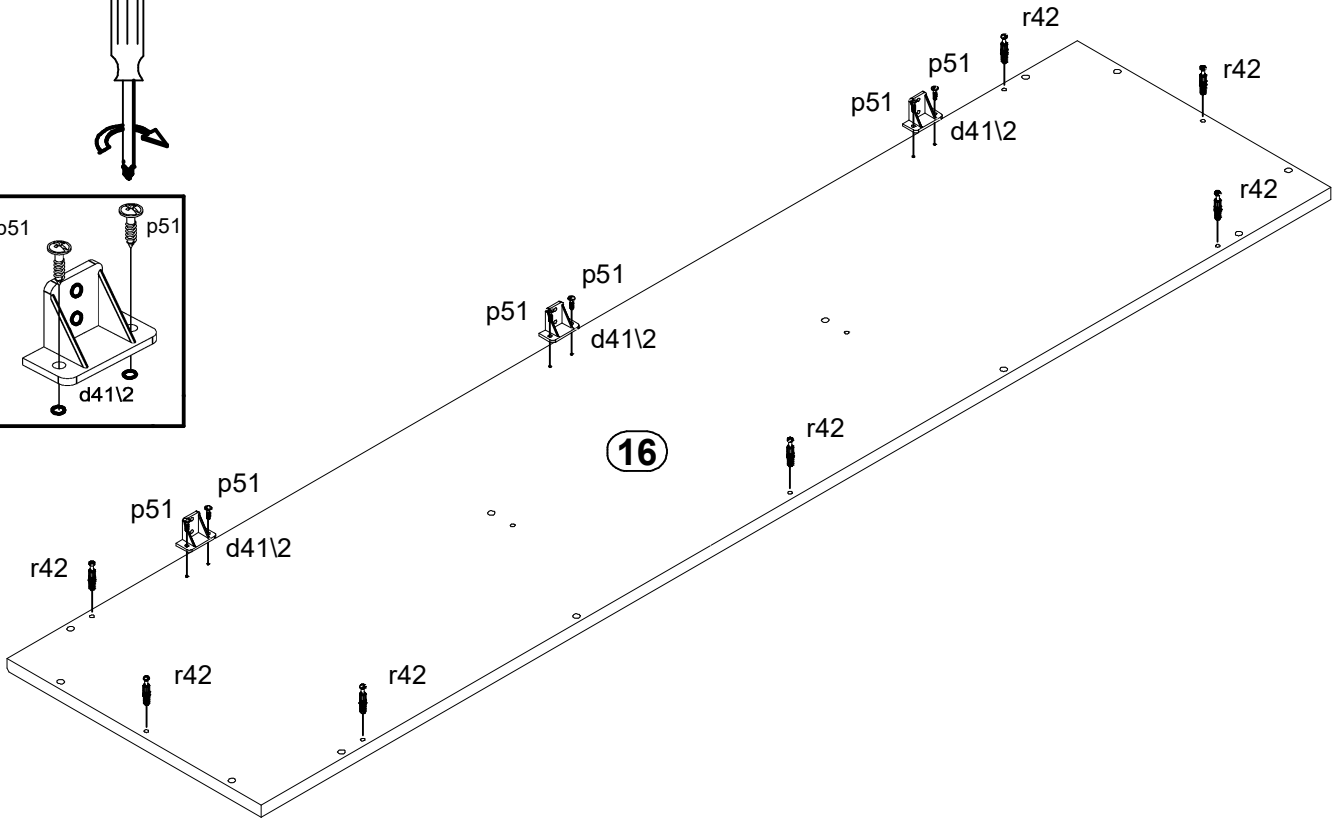
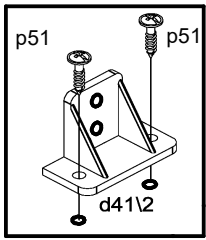
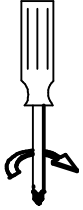


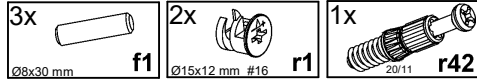
4 ▶



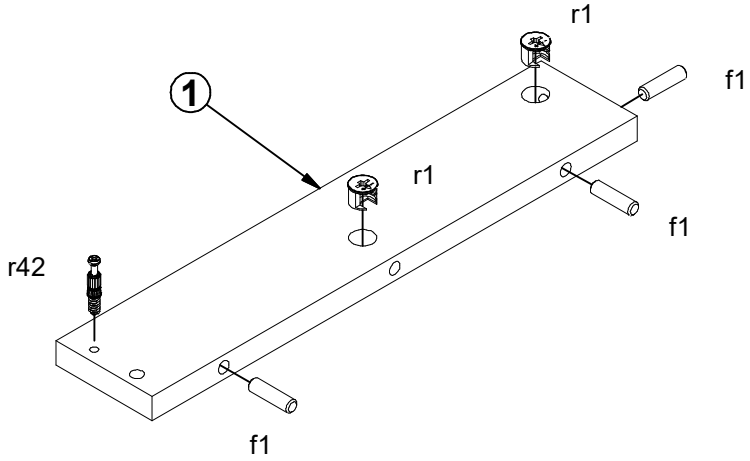
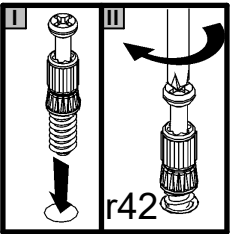
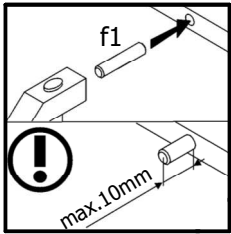
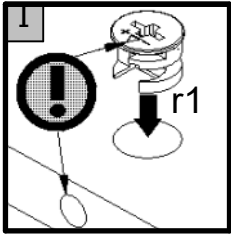


5 ▶

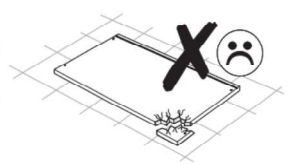
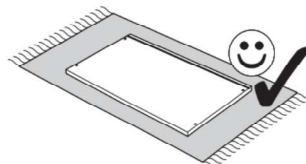
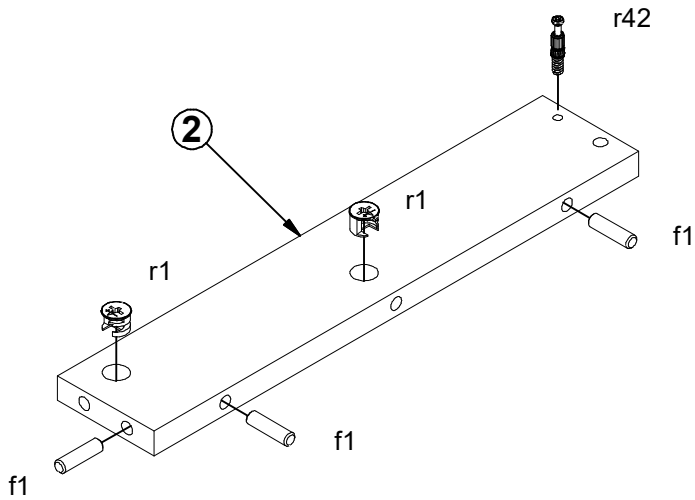


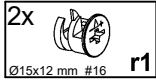
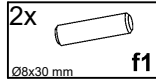


6 ▶

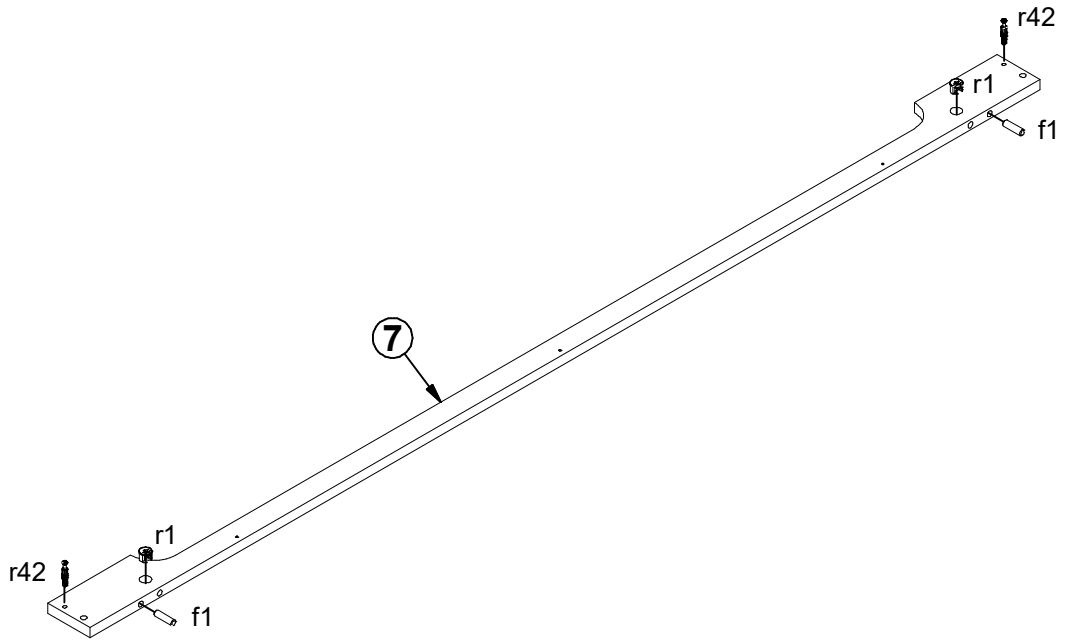
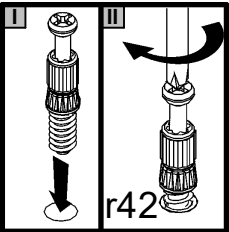
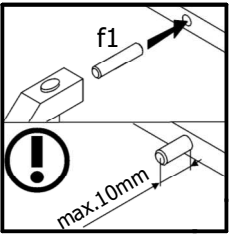
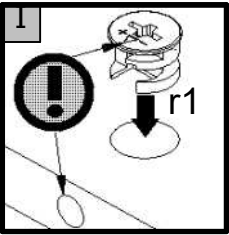


7 ▶

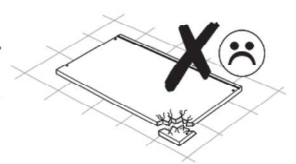
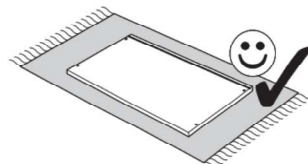
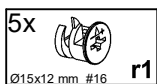
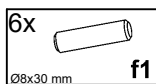
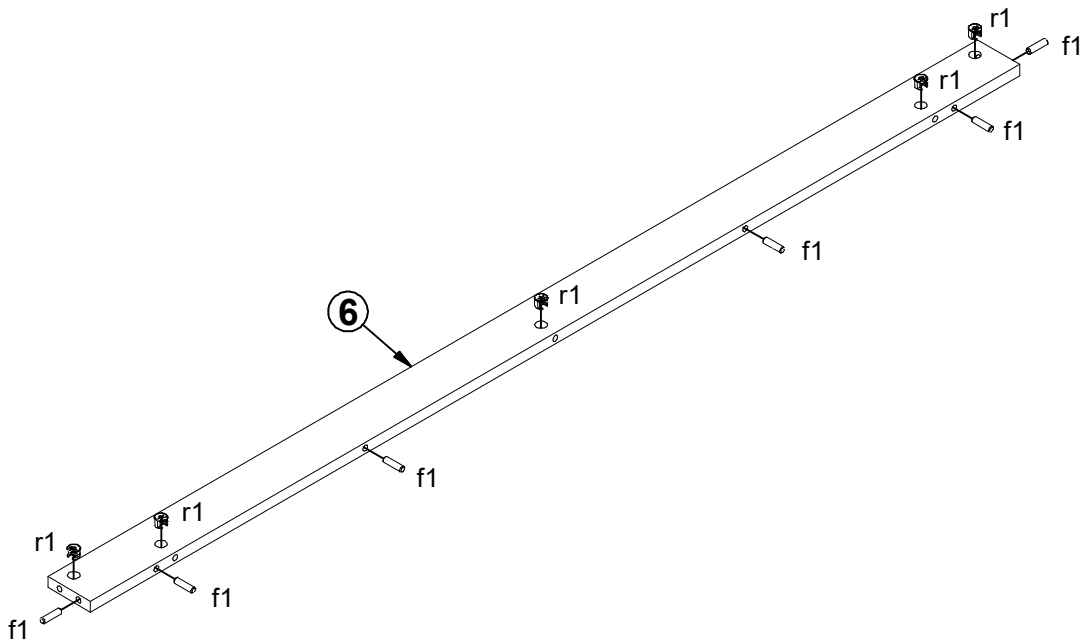


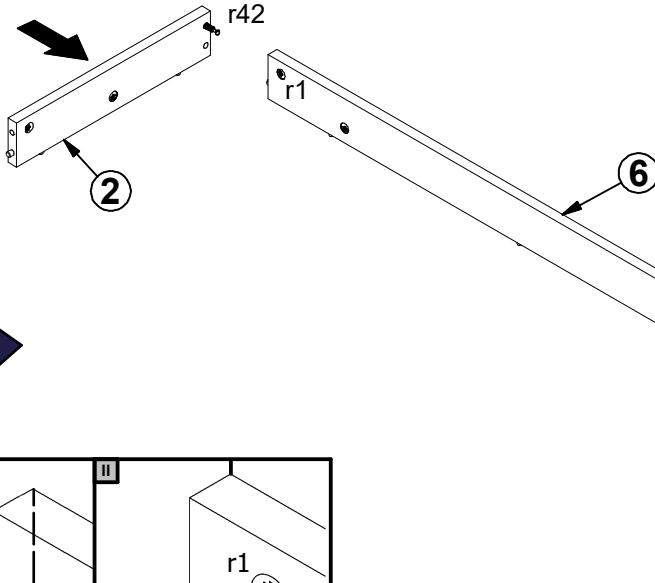


8 ▶

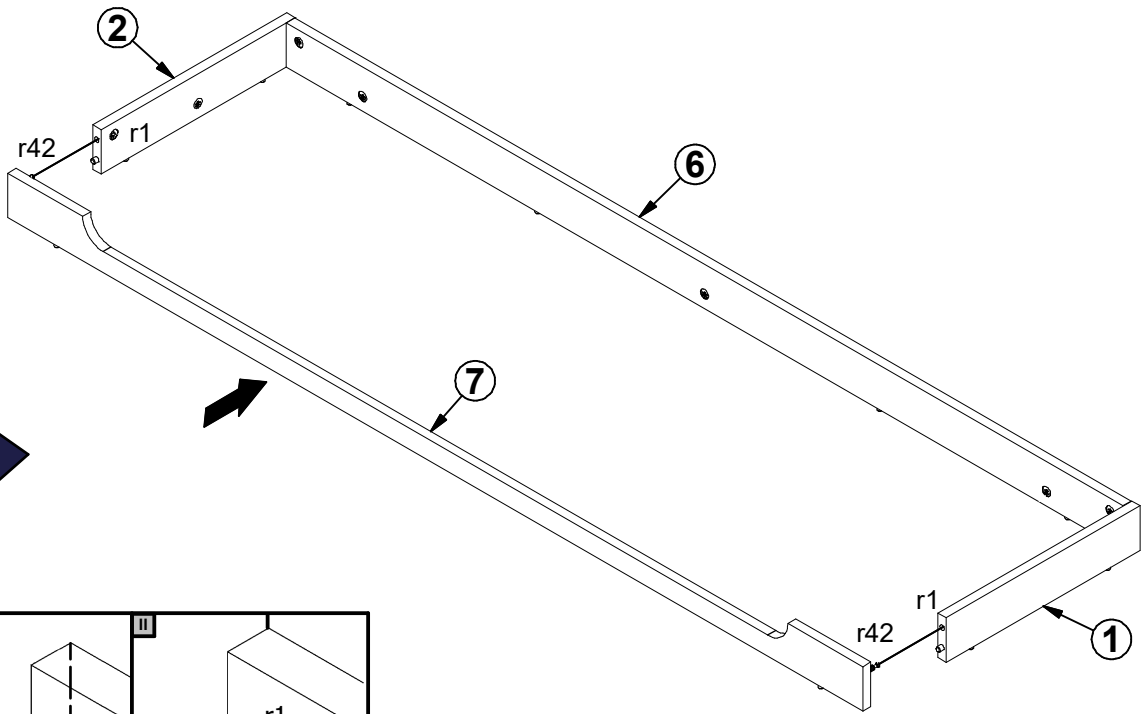
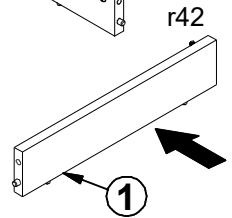
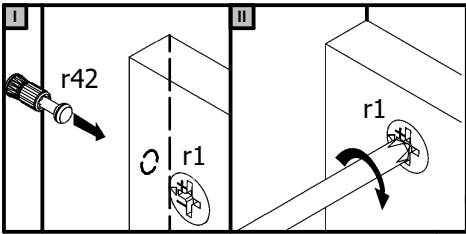


9 ▶

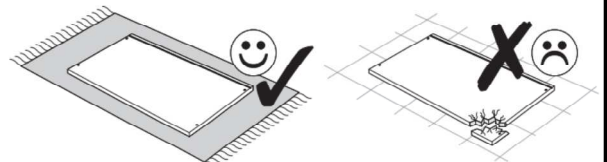
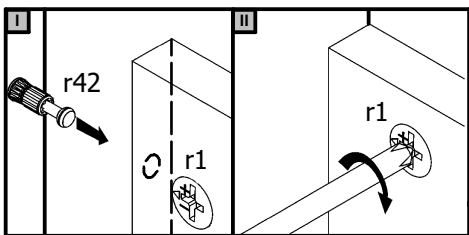


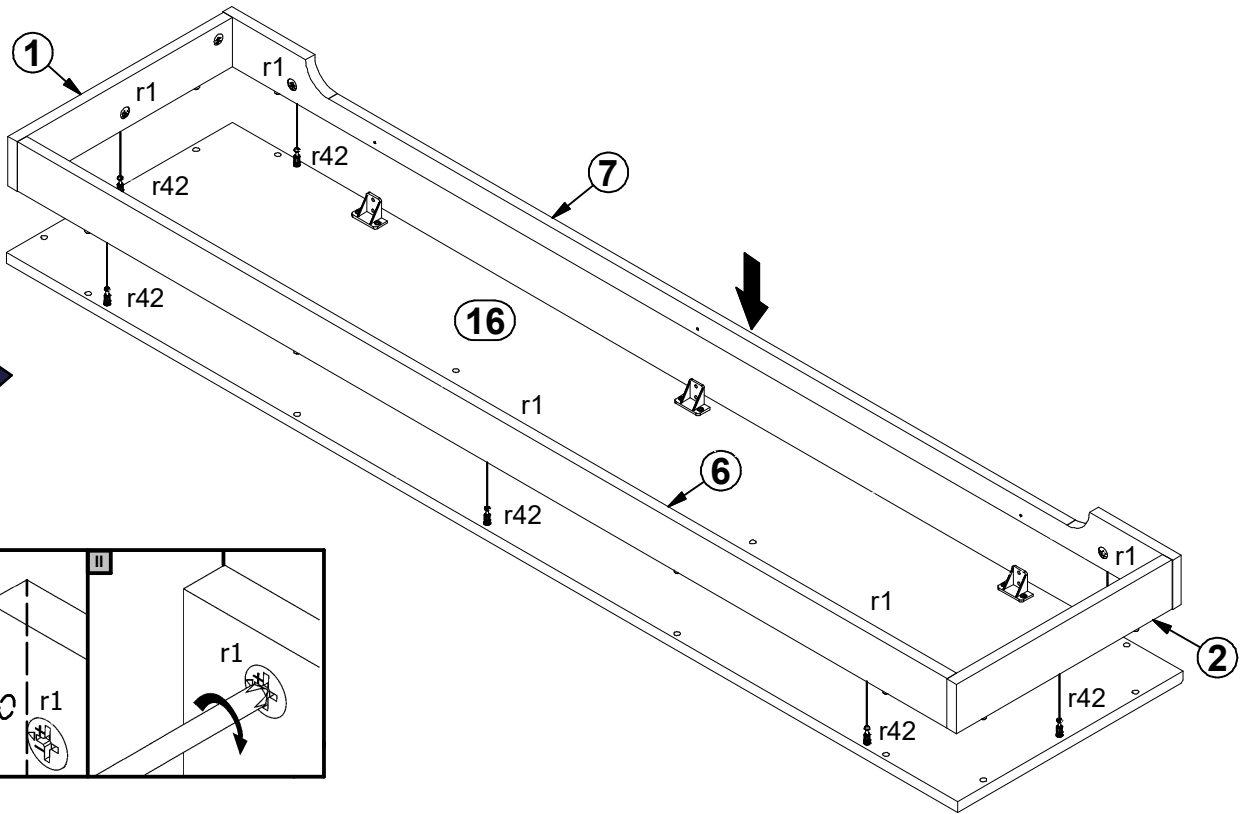
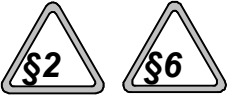


10 ▶

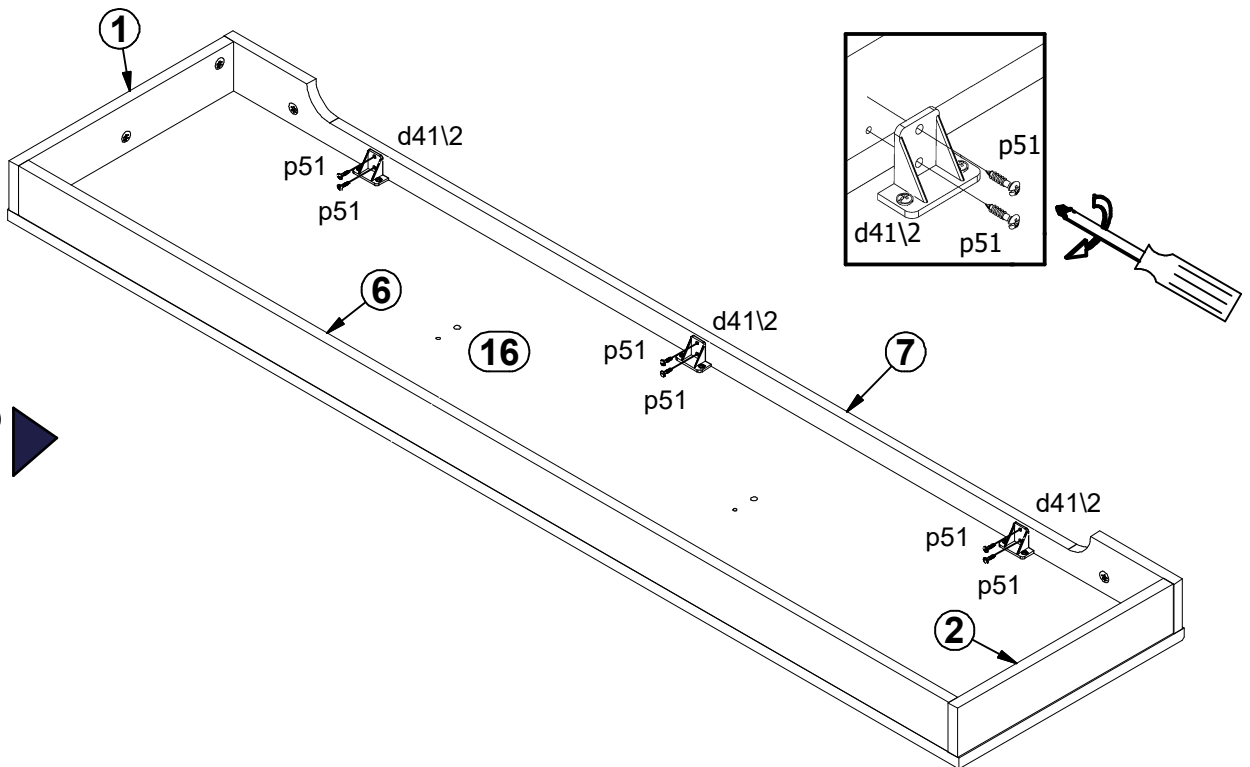
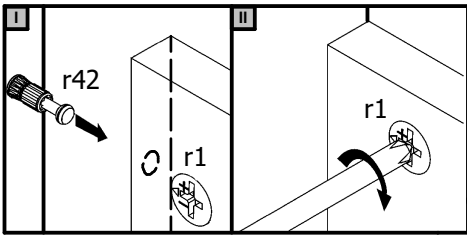


11 ▶

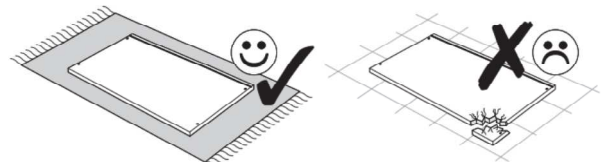
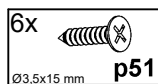


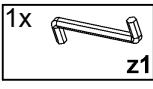
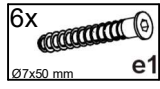


12 ▶

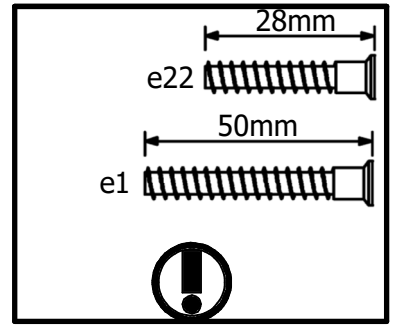
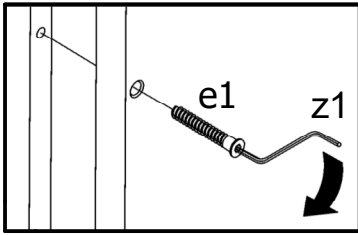
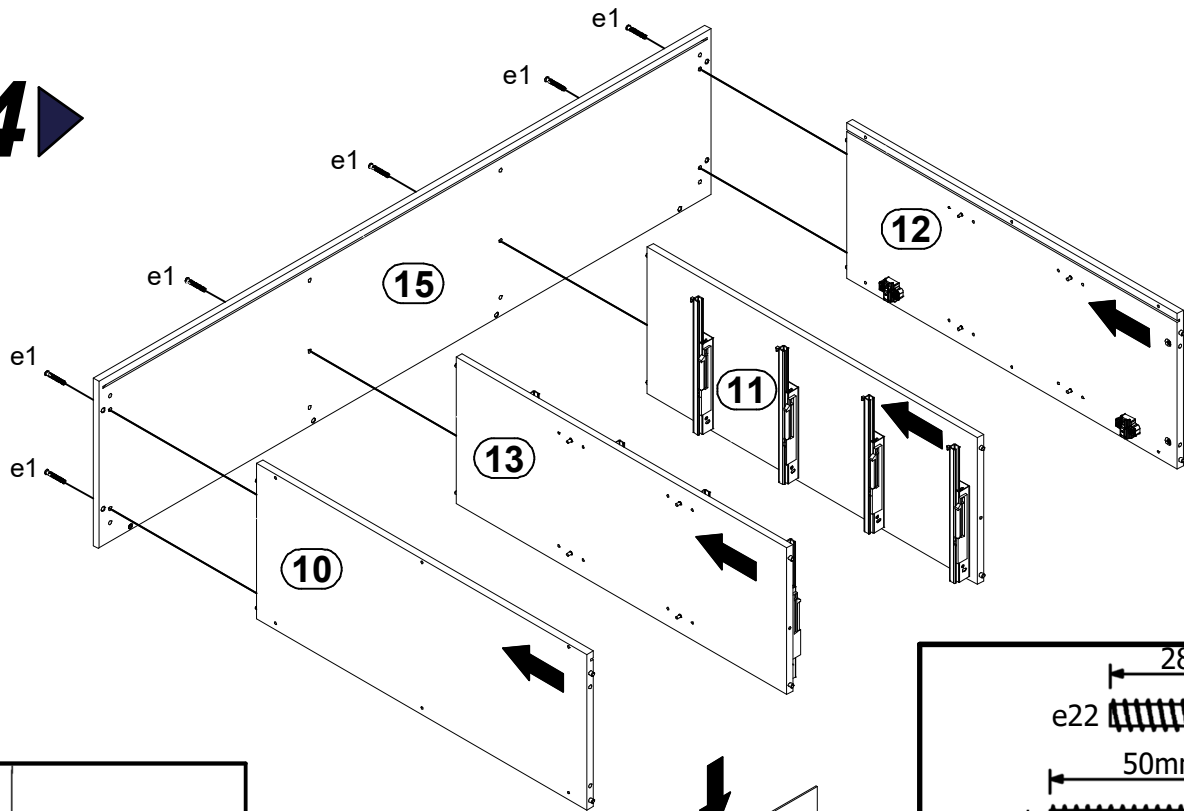


13 ▶

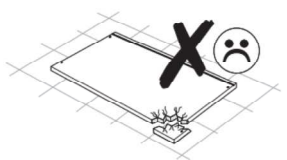
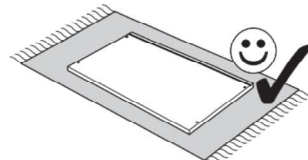
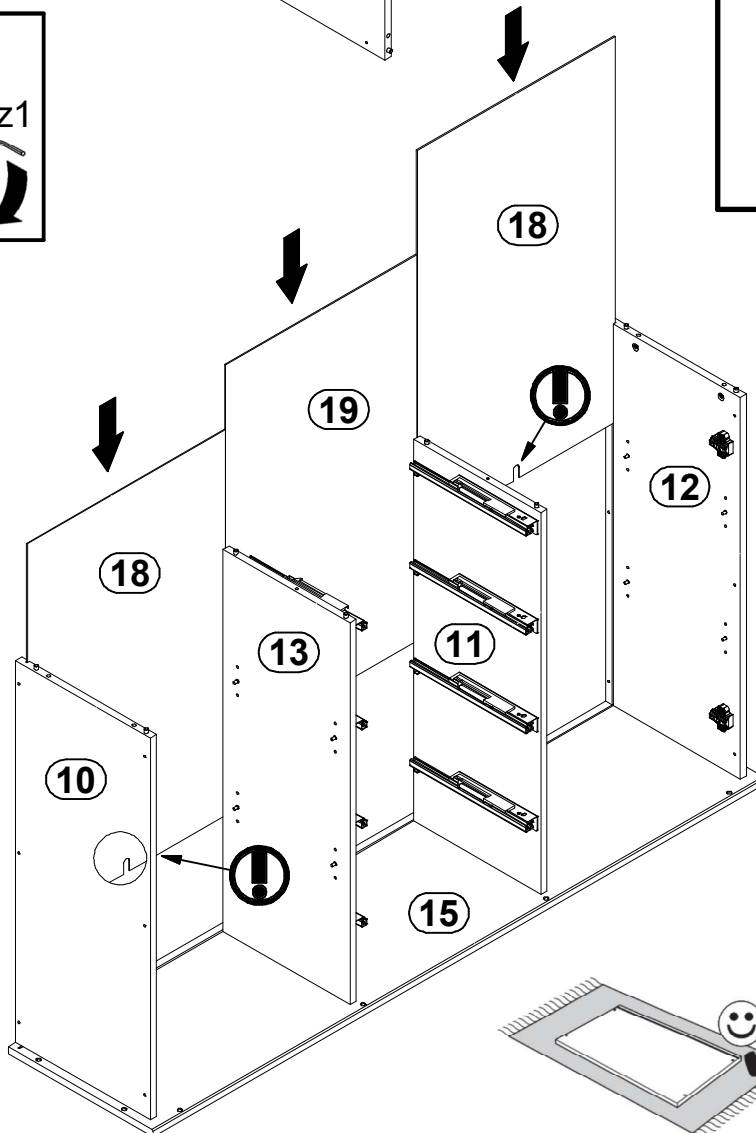


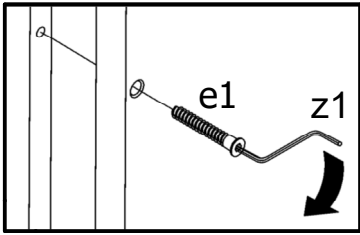
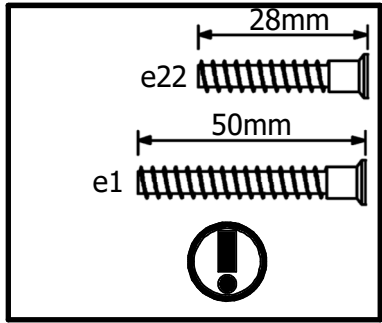
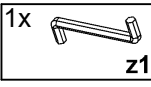
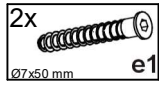


14 ▶

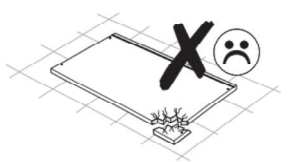
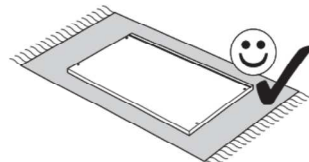
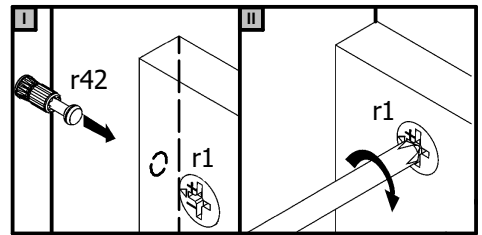
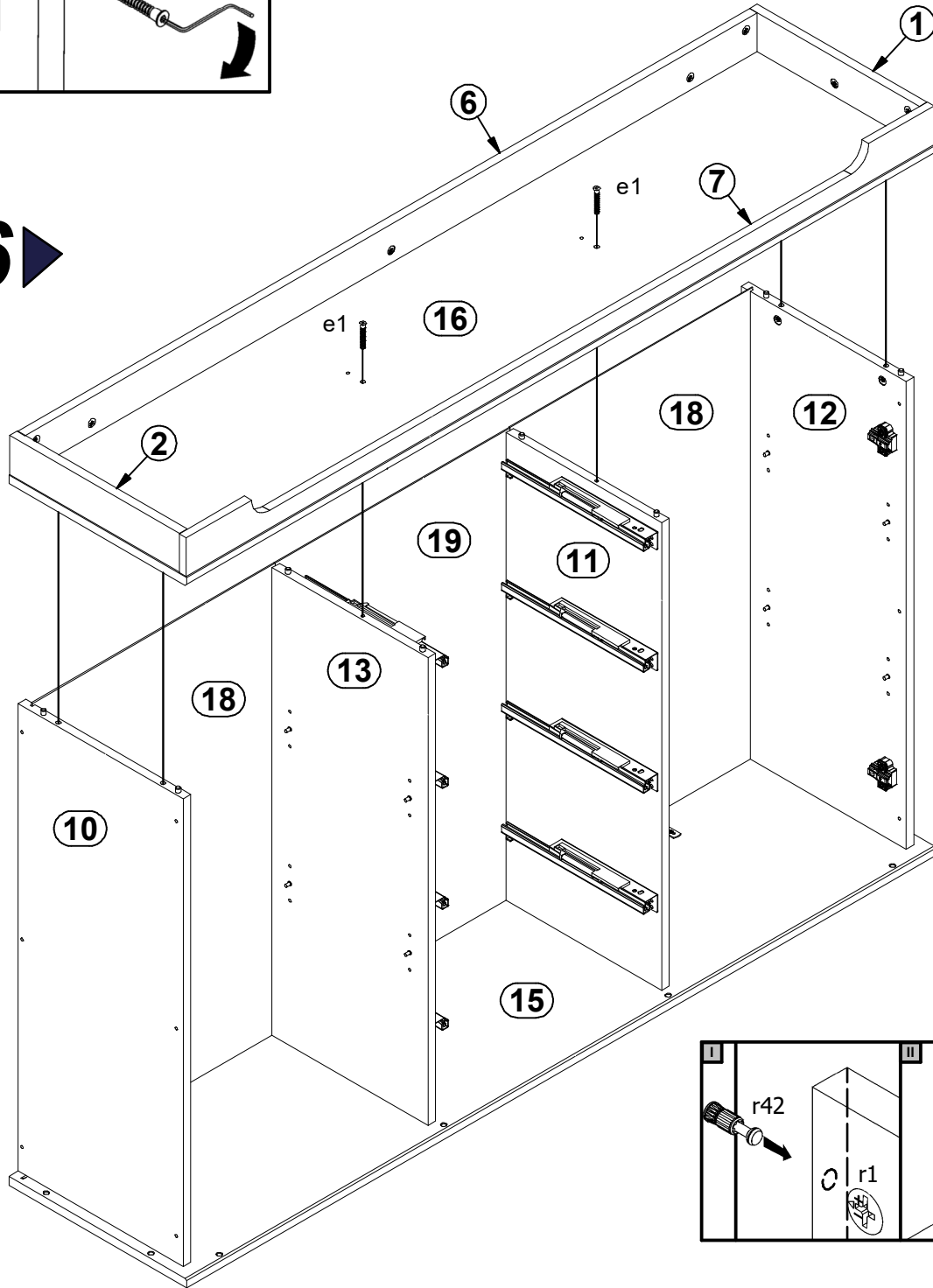


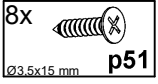
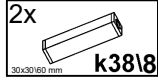
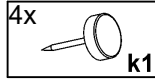
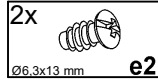
15 ▶



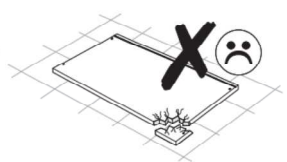
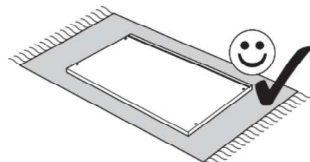
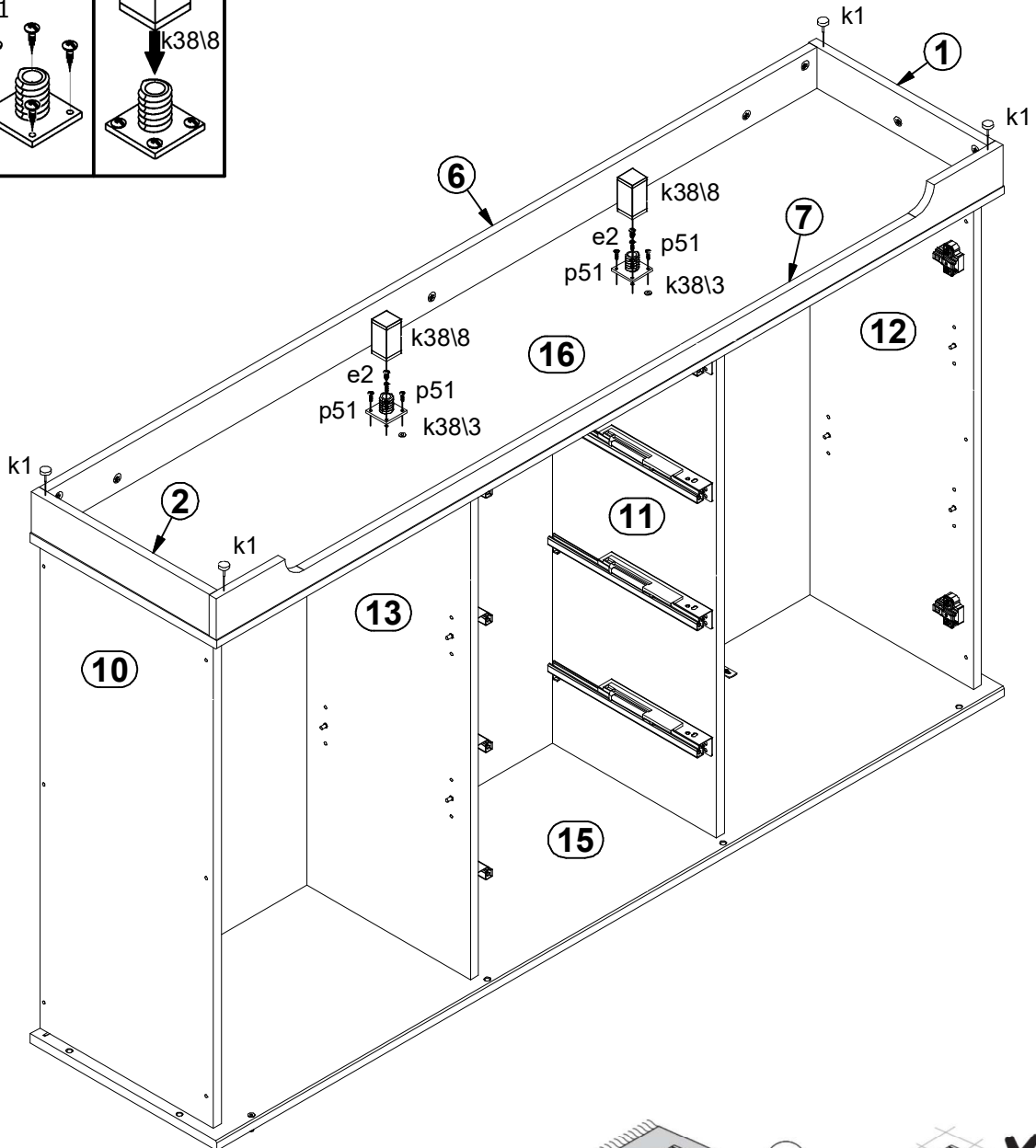
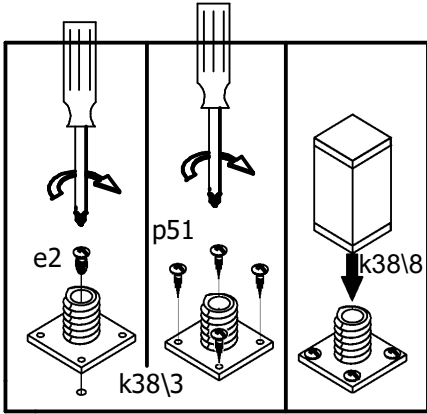
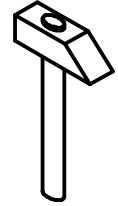
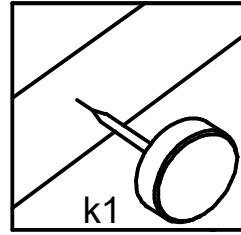


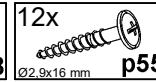
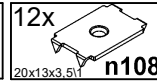
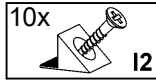
16 ▶



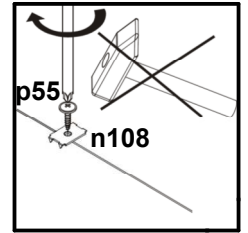
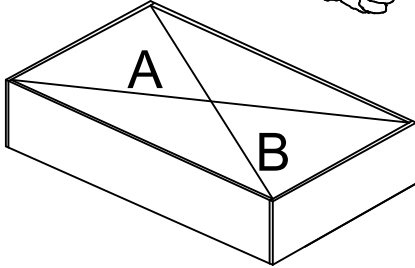


17

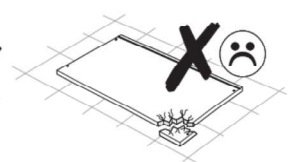
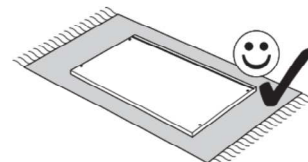
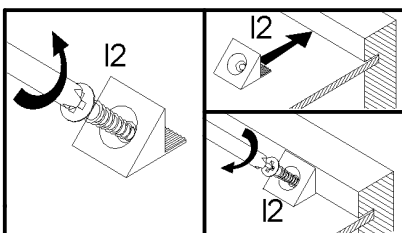
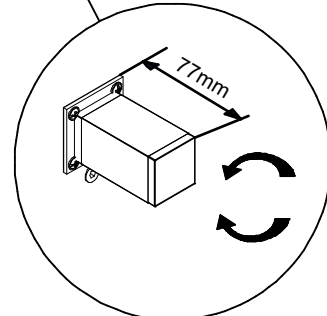
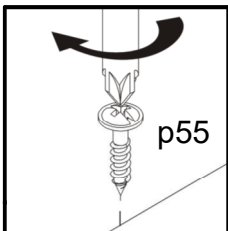
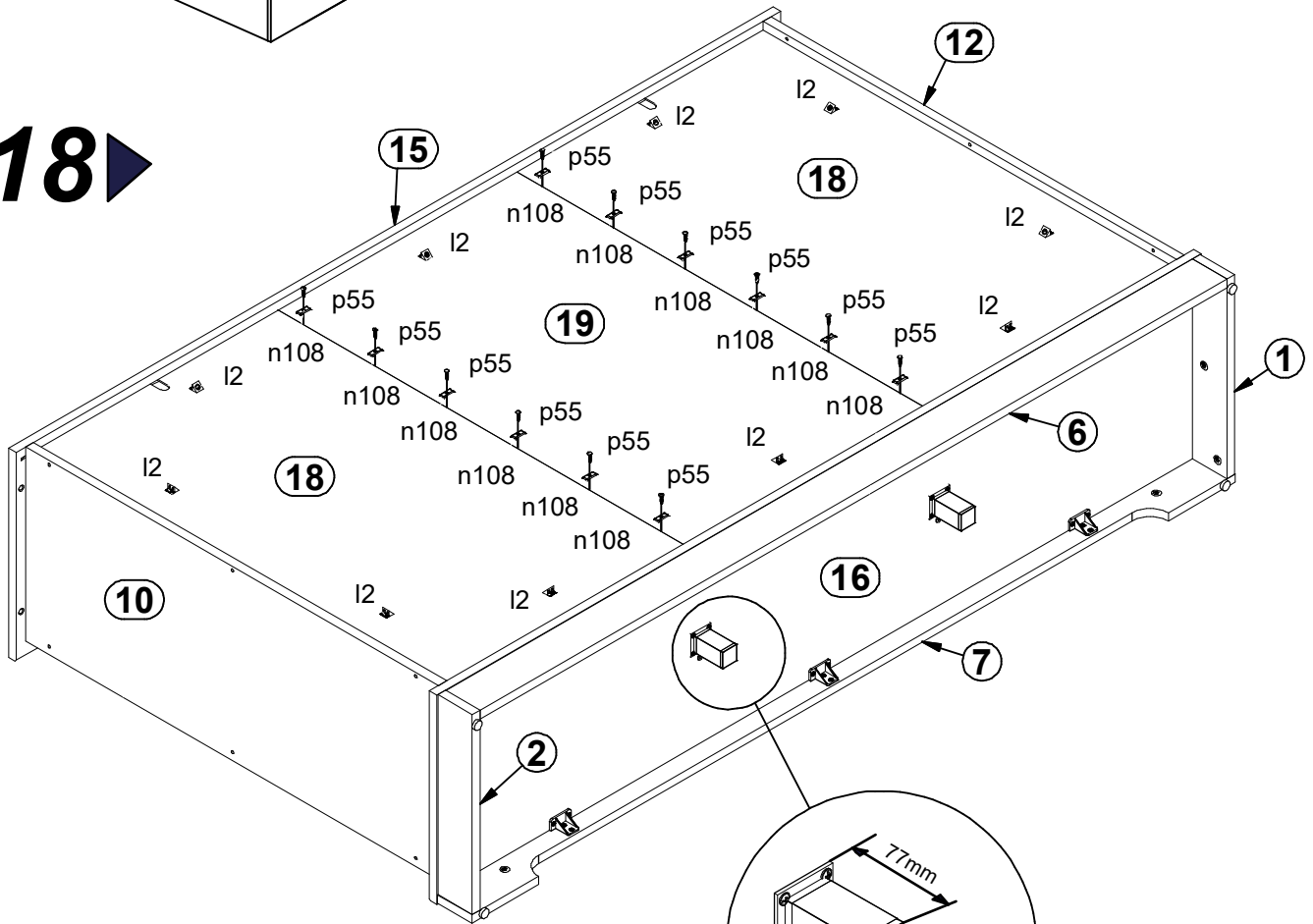


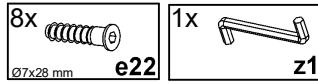


A=B

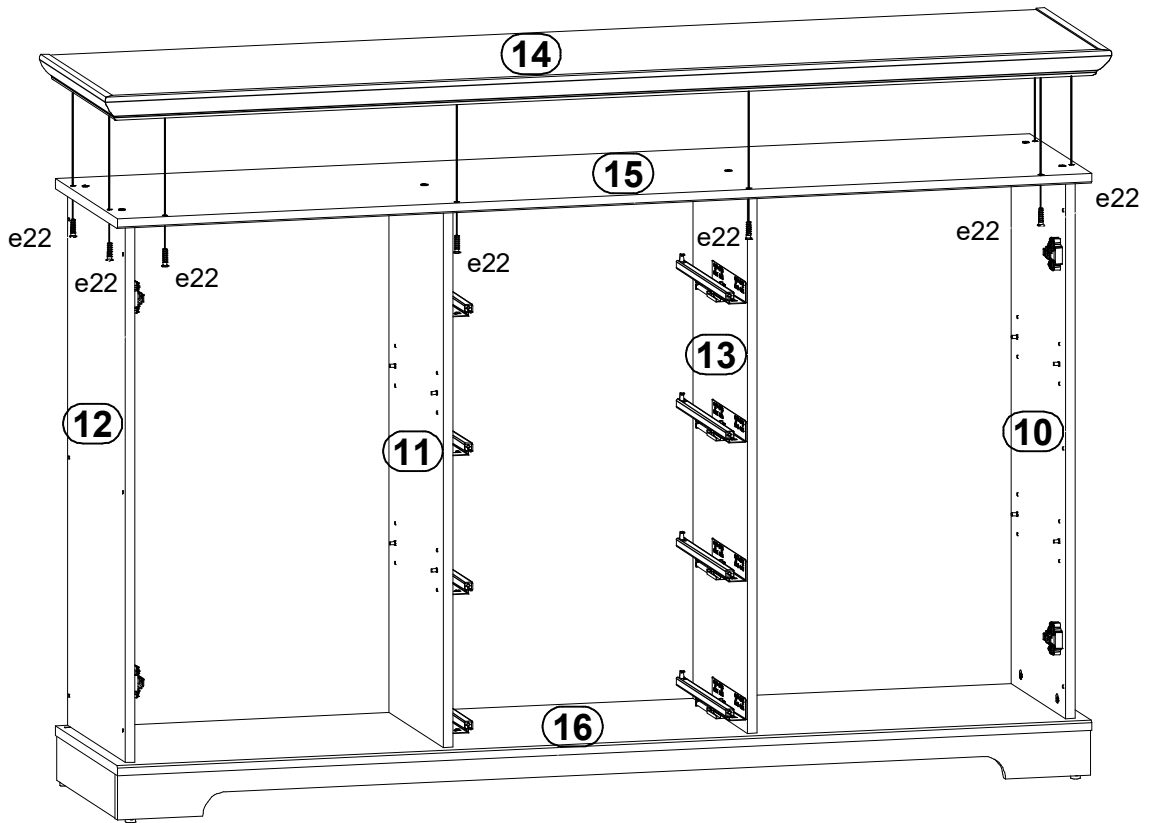
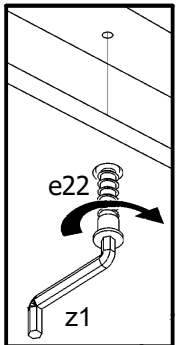


18

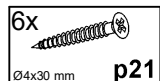
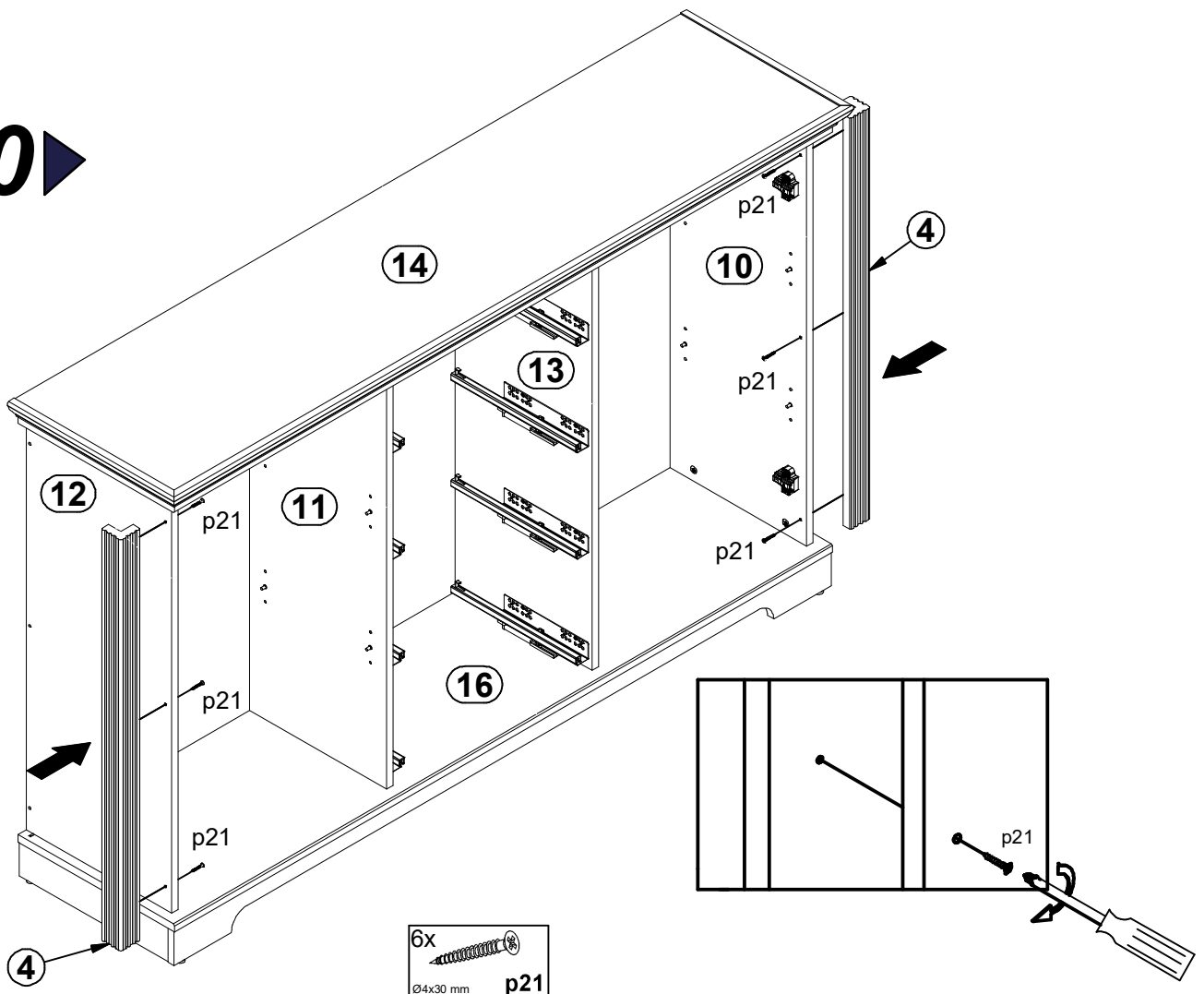


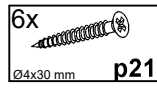


19

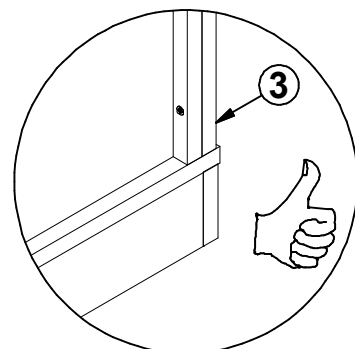
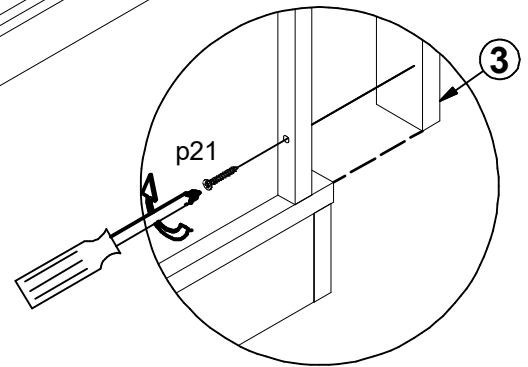
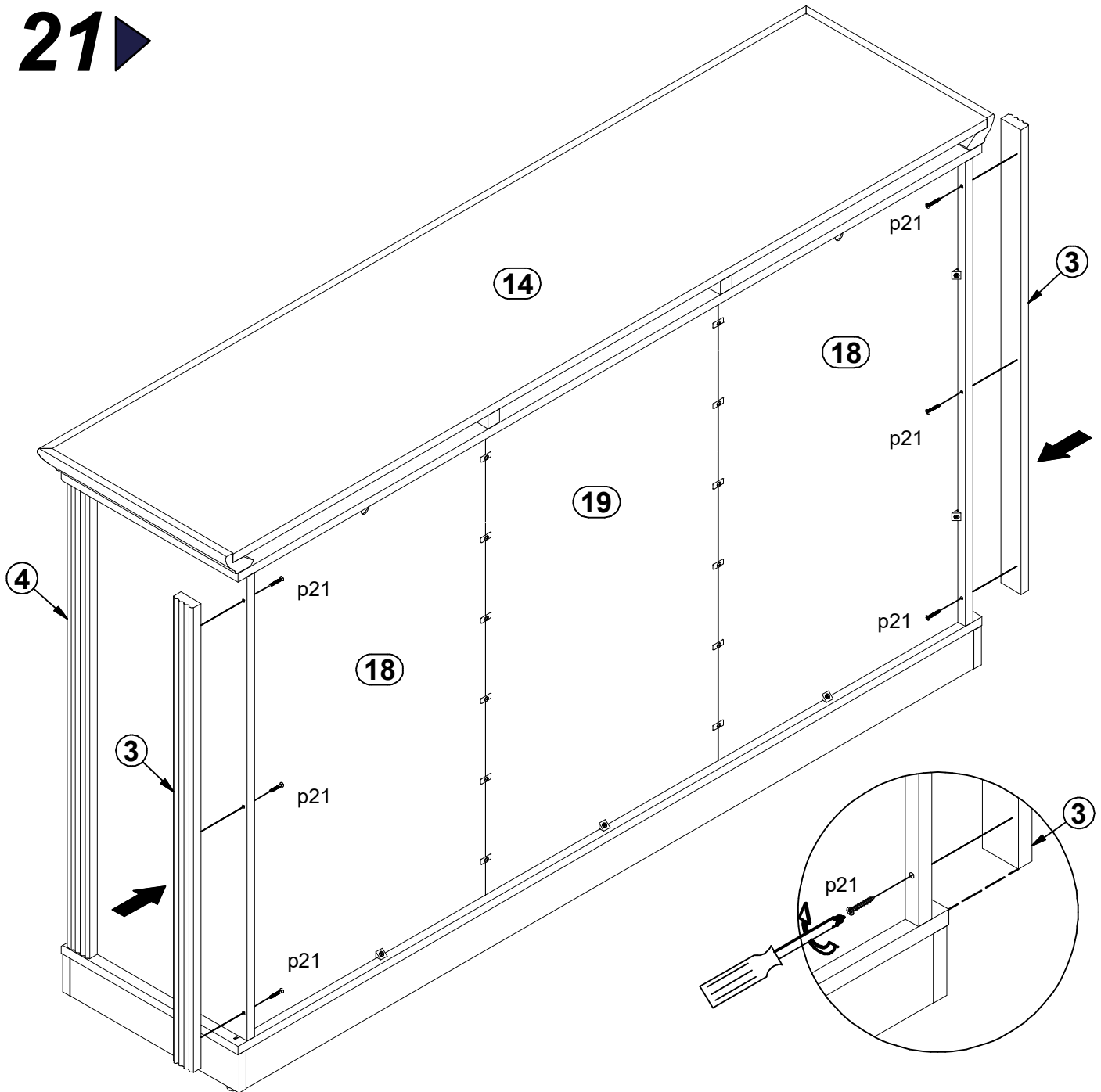


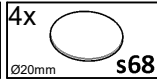
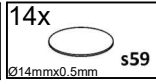
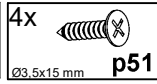
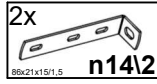
20



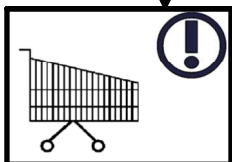
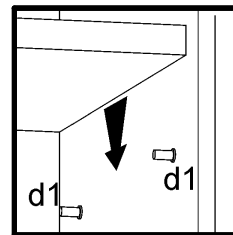
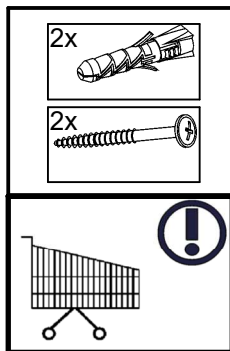
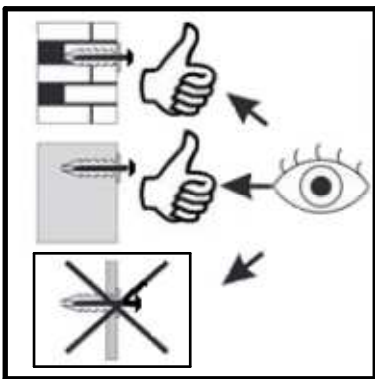
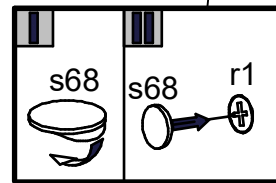
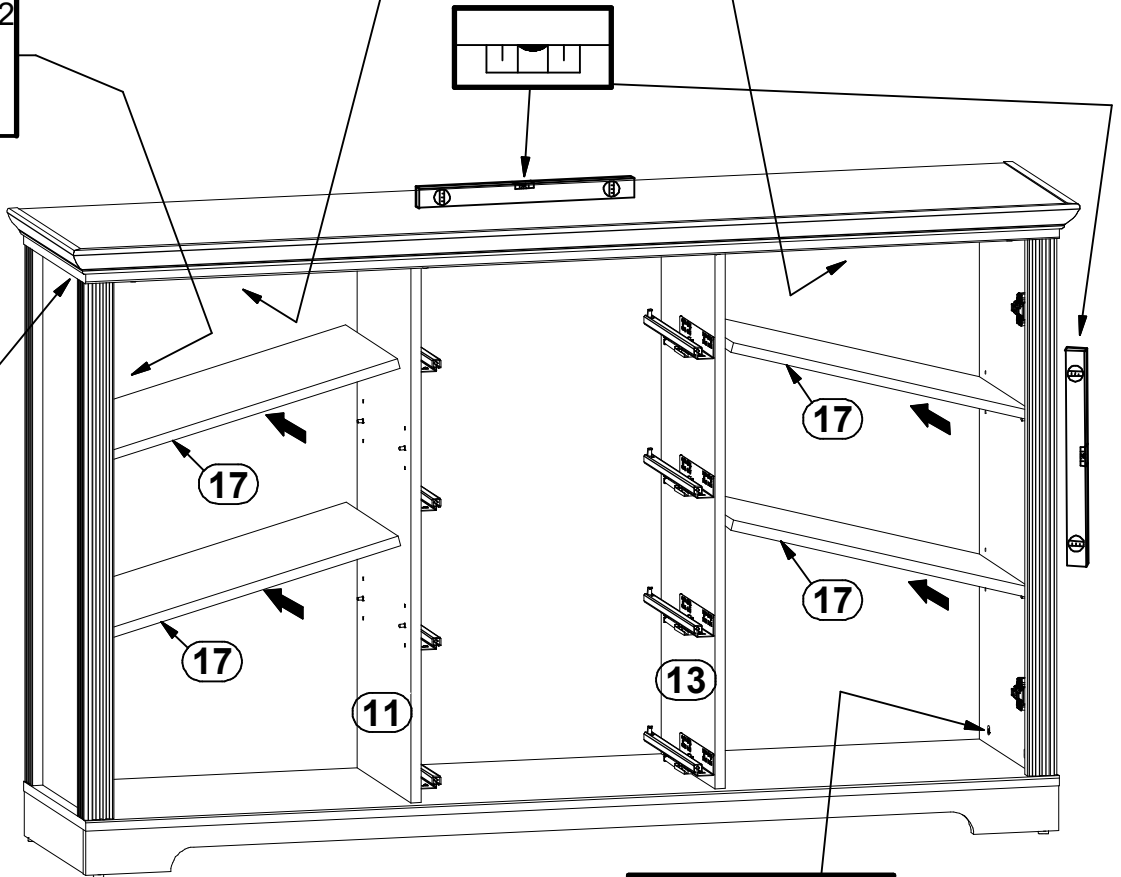
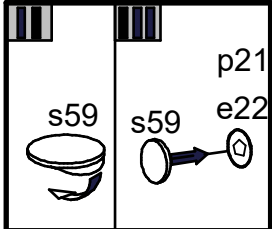
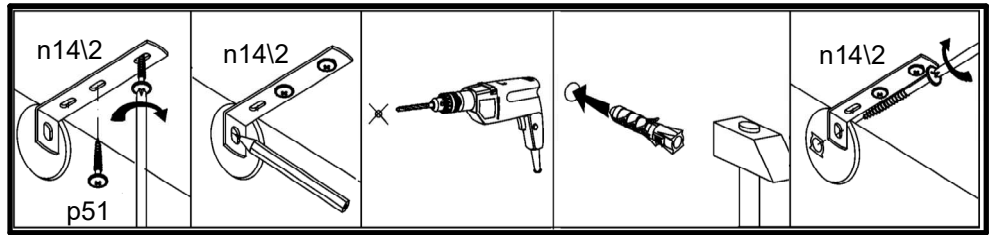


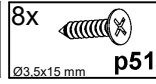
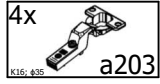
21 ▶





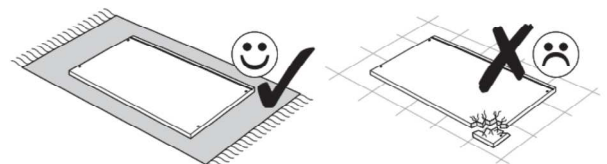
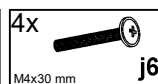
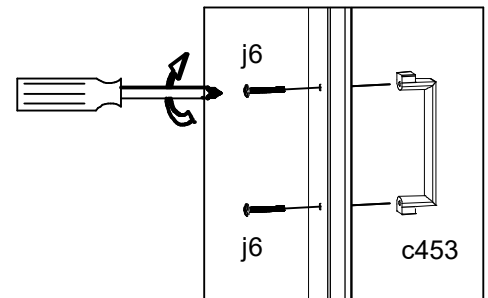
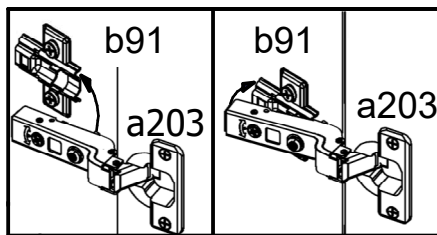
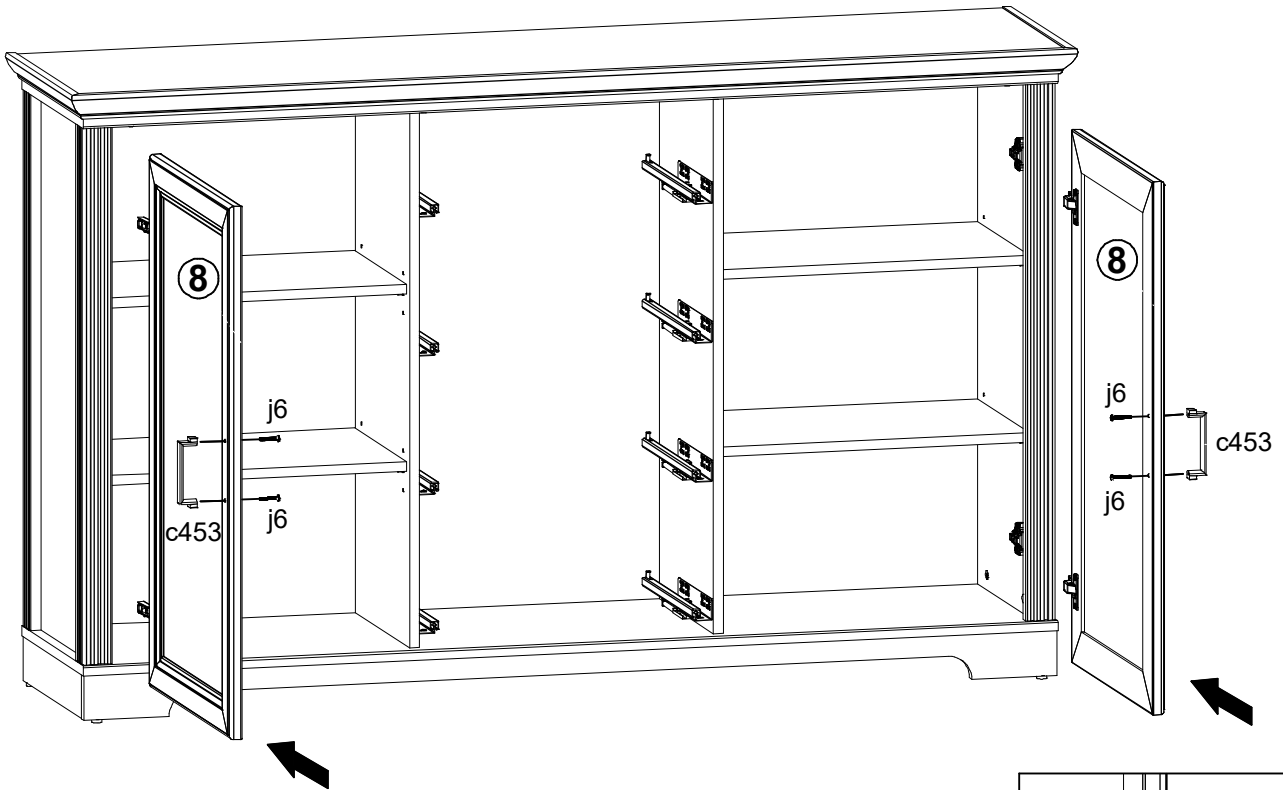
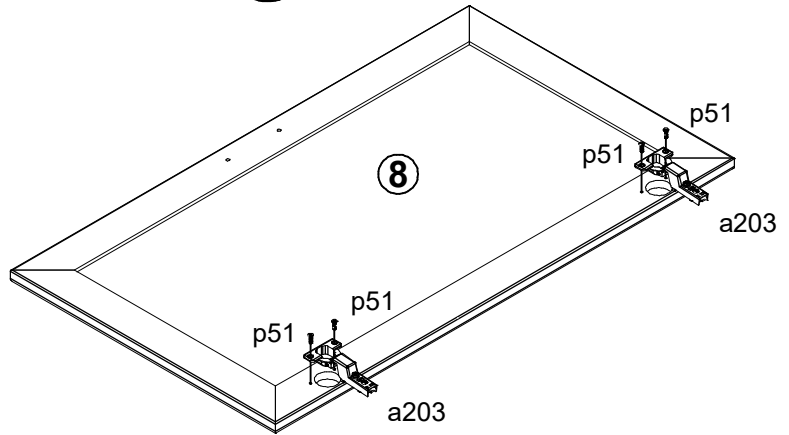
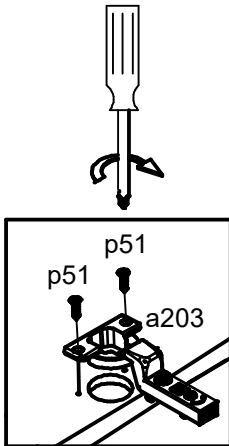
22 ▶

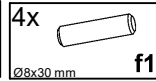
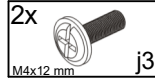
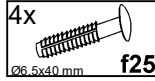




23 ▶

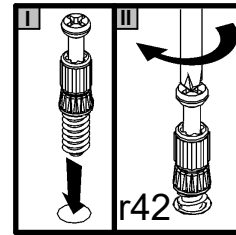
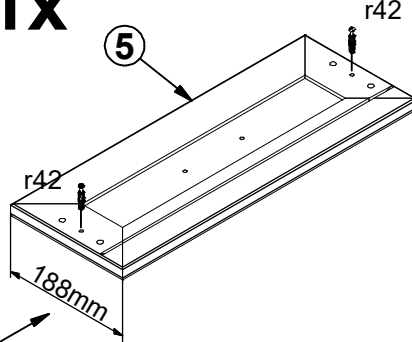
2x !





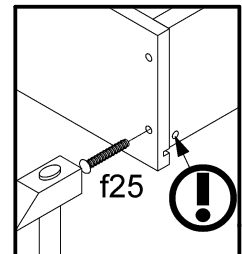
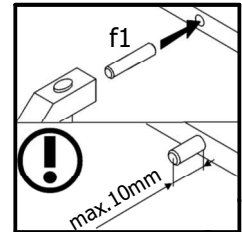
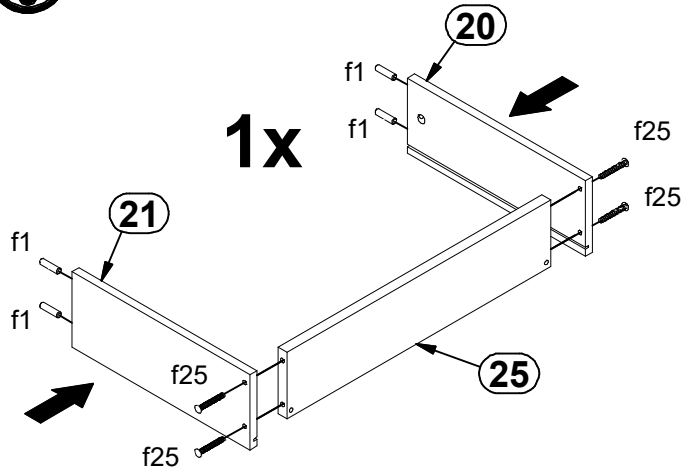
24▶

1x



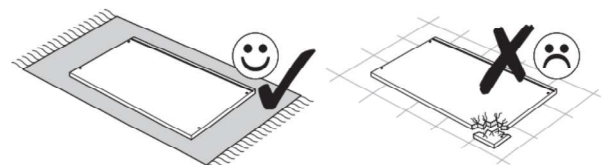
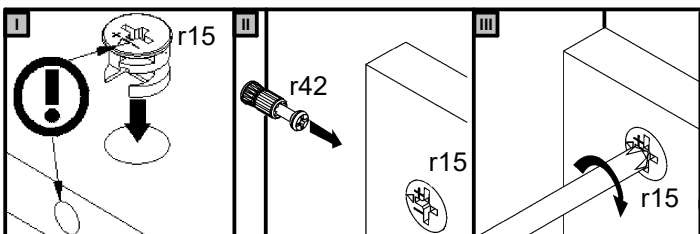
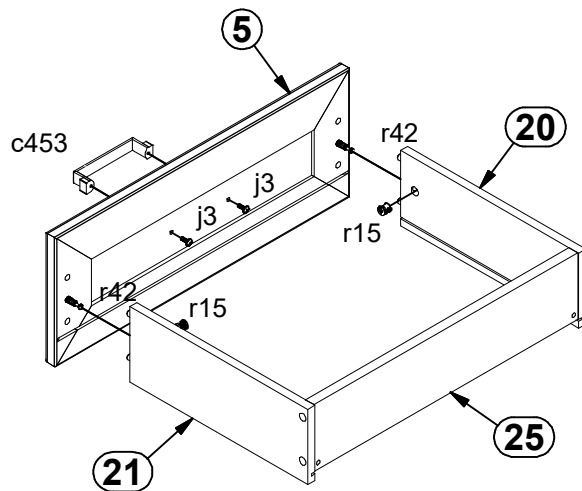
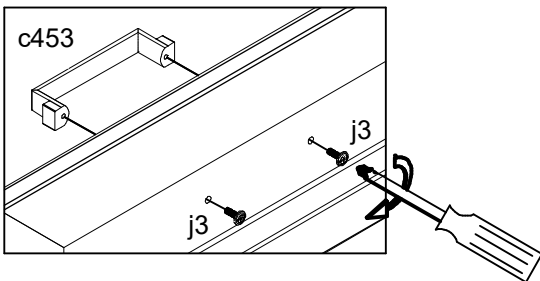
25▶

1x



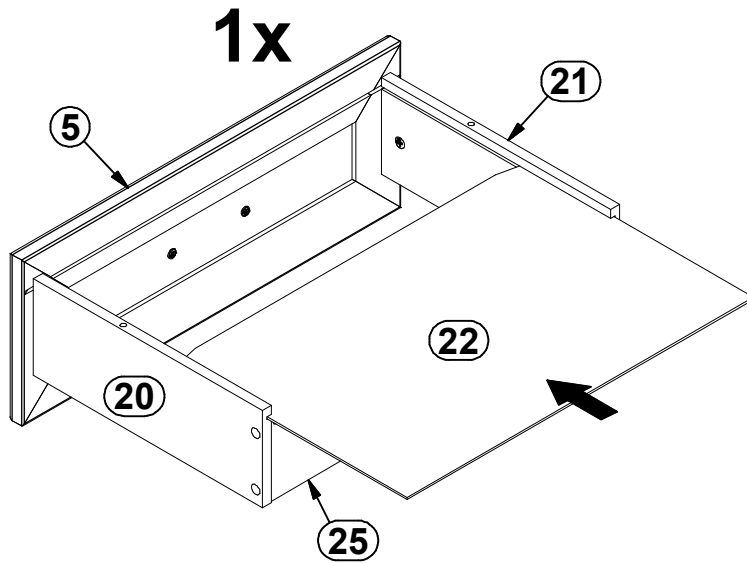
26▶

1x

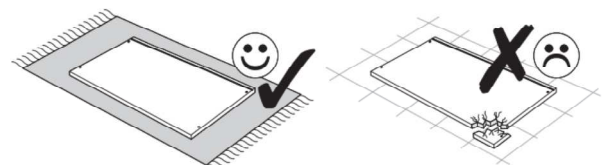
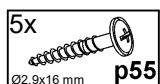
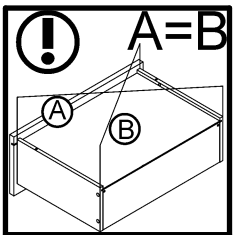
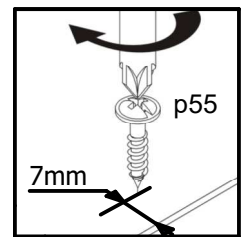
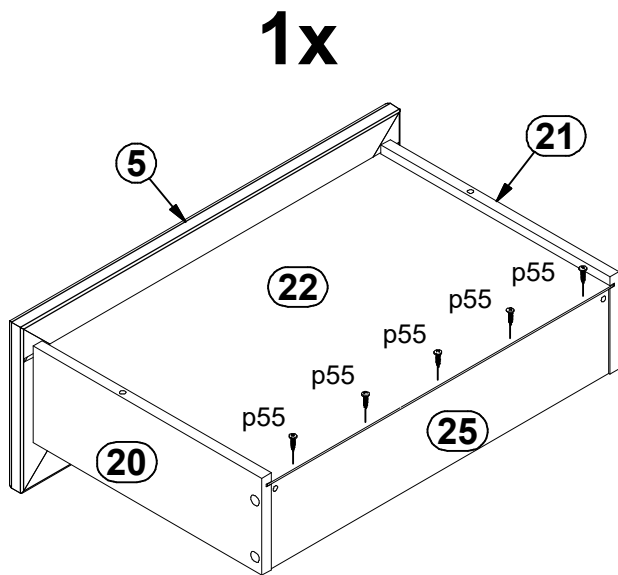


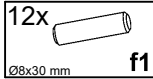
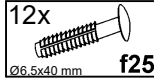
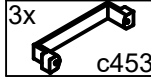


27 ▶



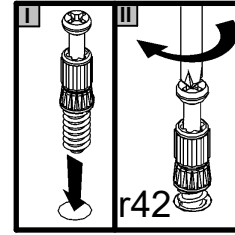
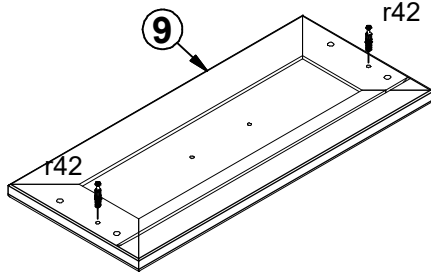
28 ▶



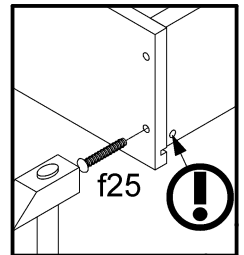
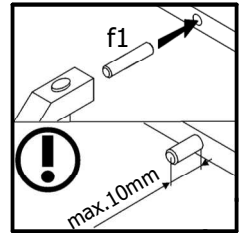
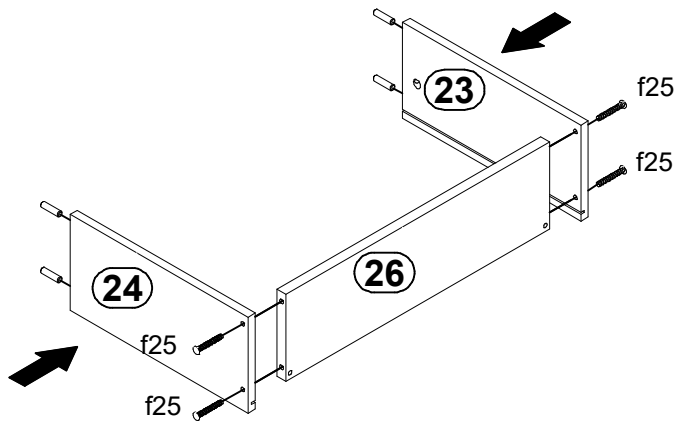


29 ▶

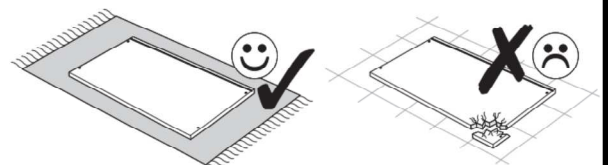
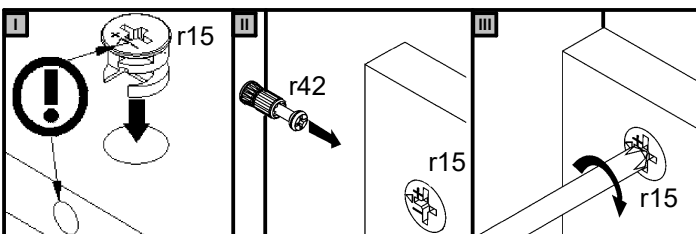
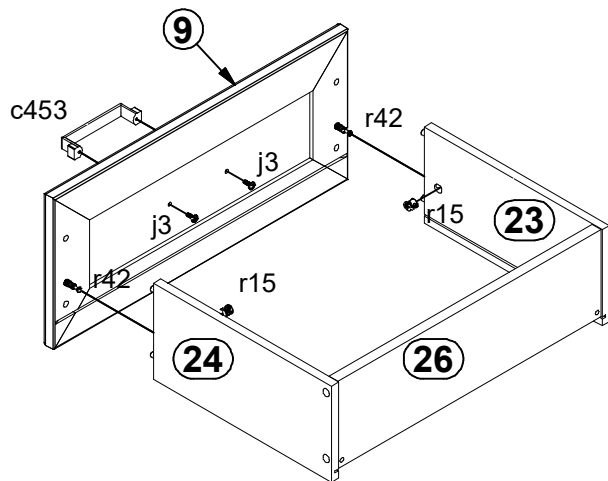
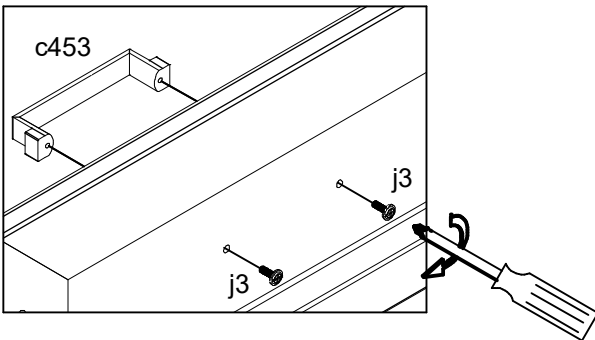
3x !



30 ▶



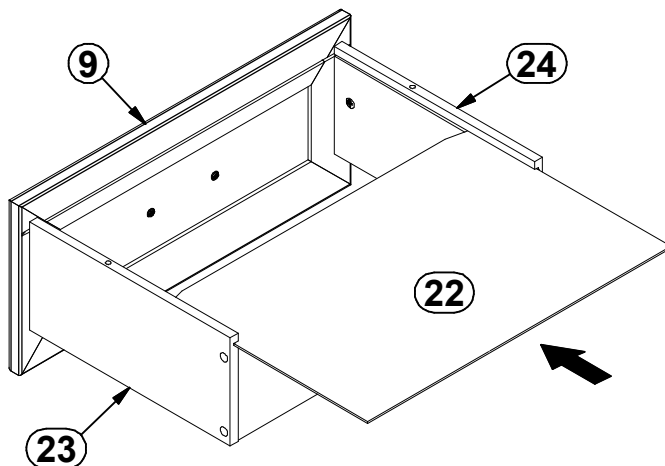
31 ▶



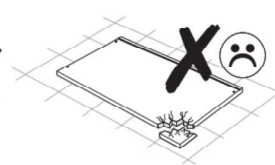
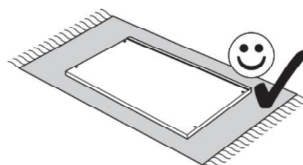
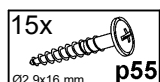
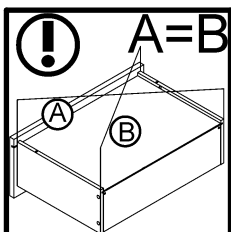
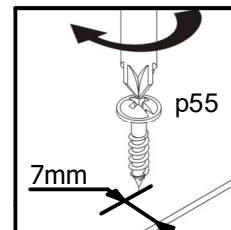
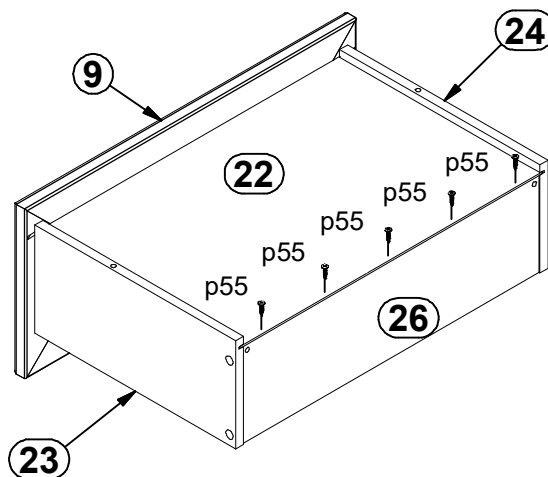


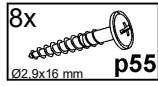
! 3x

32 ▶



33 ▶





34

