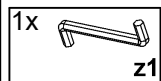
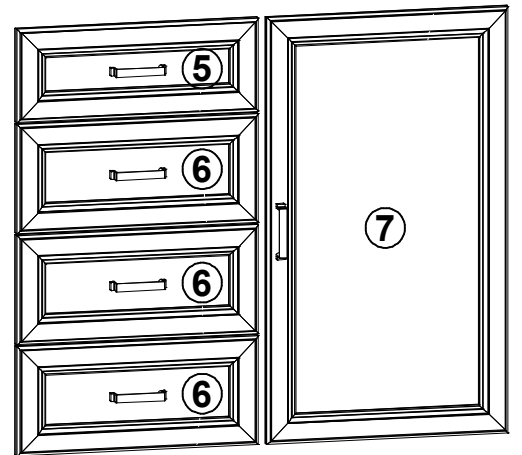
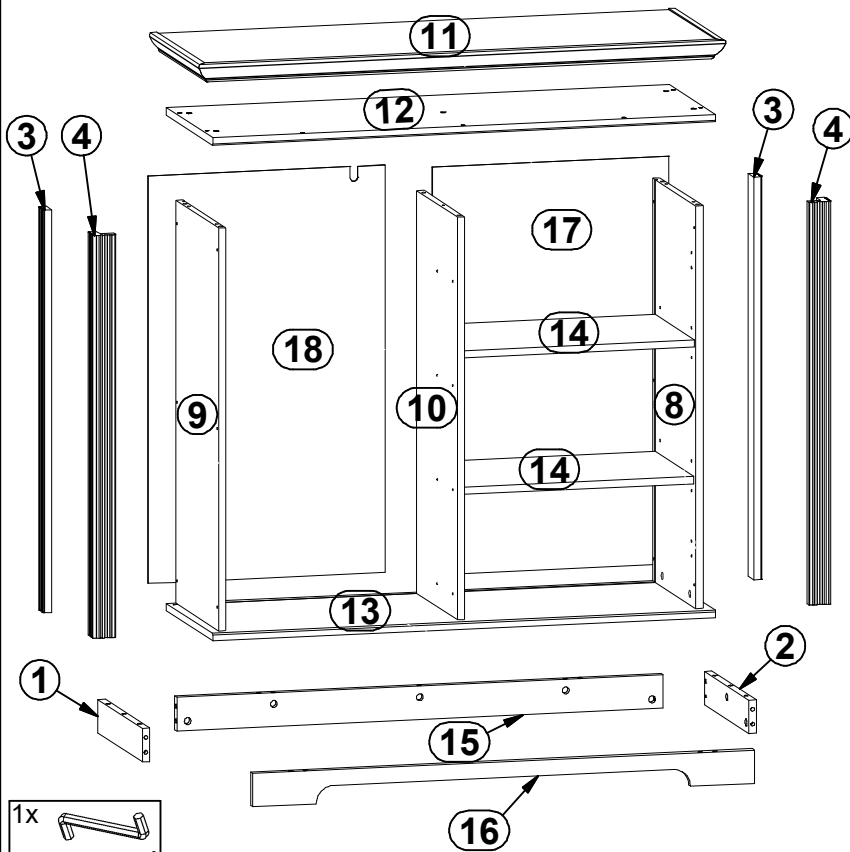


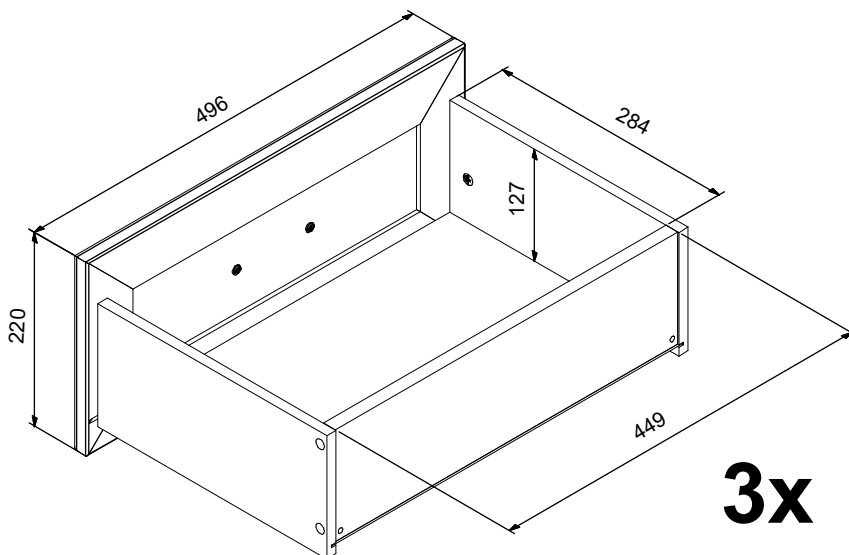
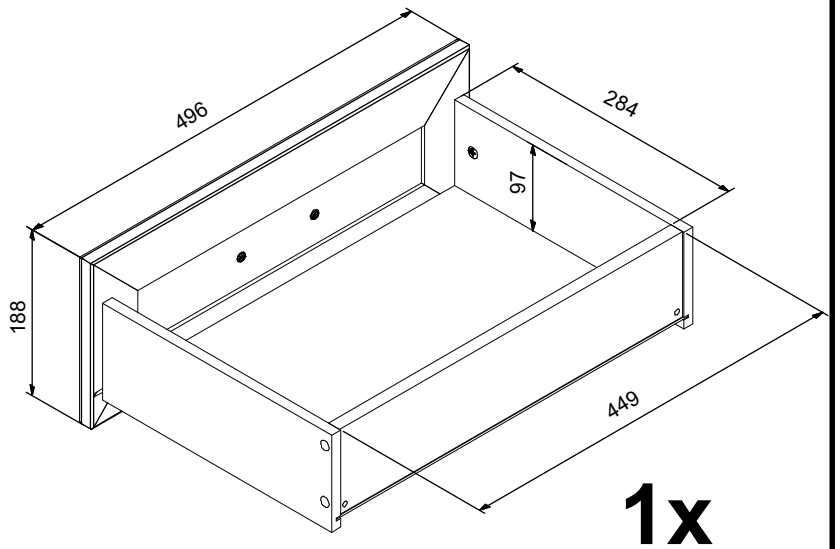
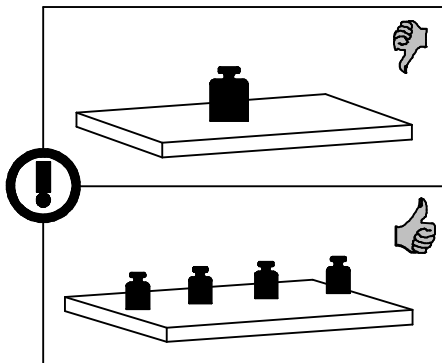
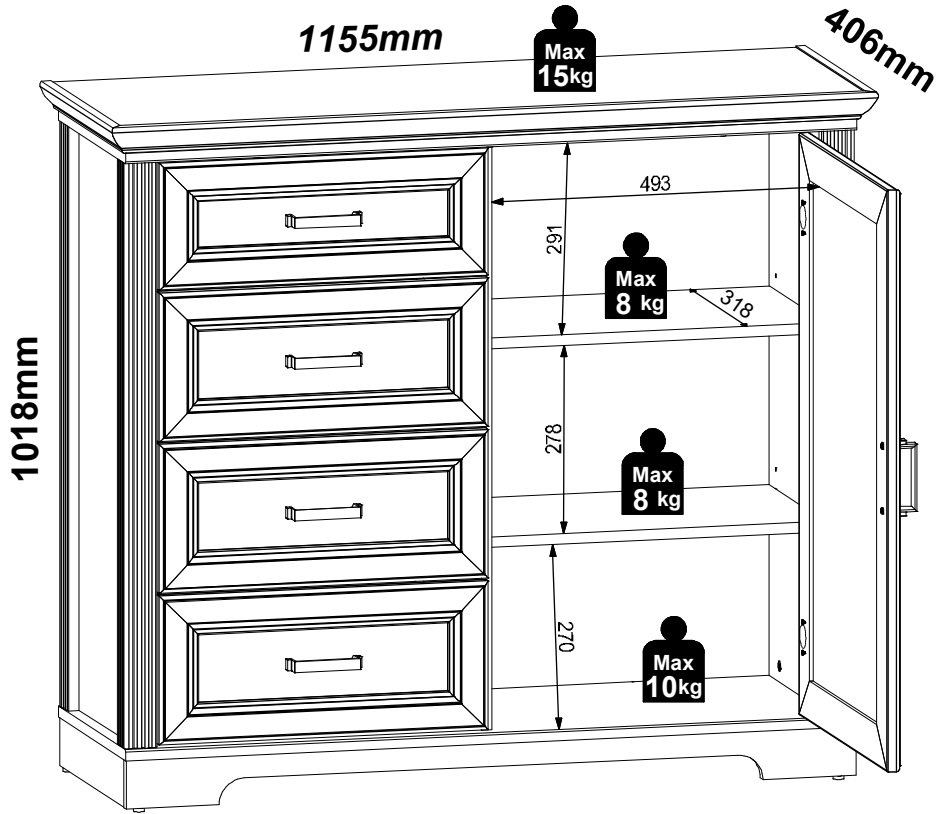
1x

3x

A	B1	B2	C1	C2	C3	D
1	M261-4102	-2	363	72	16	3/3
2	M261-4103	-2	363	72	16	3/3
3	M261-5001	-3	866	43	19	1/3
4	M261-5002	-3	866	49	49	1/3
5	S713-0007	-1	496	188	22	3/3
6	S713-0003	-1	496	220	22	3/3
7	S713-0004	-2	860	496	22	3/3
8	S713-1002	-1	866	353	16	1/3
9	S713-1005	-1	866	353	16	1/3
10	S713-1006	-1	866	333	16	1/3
11	S713-2003	-2	1155	406	43	2/3
12	S713-2004	-1	1102	380	16	2/3
13	S713-2005	-1	1102	380	16	2/3
14	S713-3001	-1	506	318	16	3/3
15	S713-4101	-2	1066	72	16	2/3
16	S713-4151	-4	1100	72	15	2/3
17	S713-9001	-2	876	519	2,5	3/3
18	S713-9002	-2	876	519	2,5	3/3
19	WDF-9170	-	459	308	2,5	3/3
20	WSQ3-5003	-7	300	140	12	1/3
21	WSQ3-5004	-7	300	140	12	1/3
22	STQ-5228	-	449	127	15	2/3
23	WSQ2-5003	-10	300	110	12	1/3
24	WSQ2-5004	-9	300	110	12	1/3
25	STQ-5229	-	449	97	15	2/3

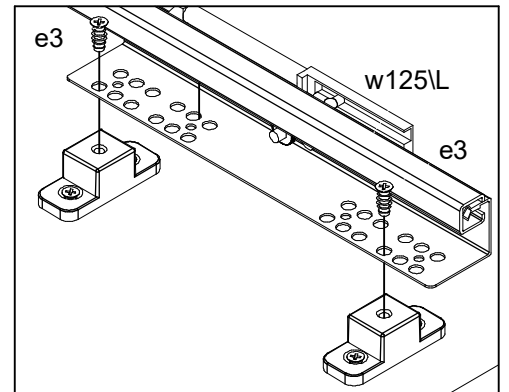
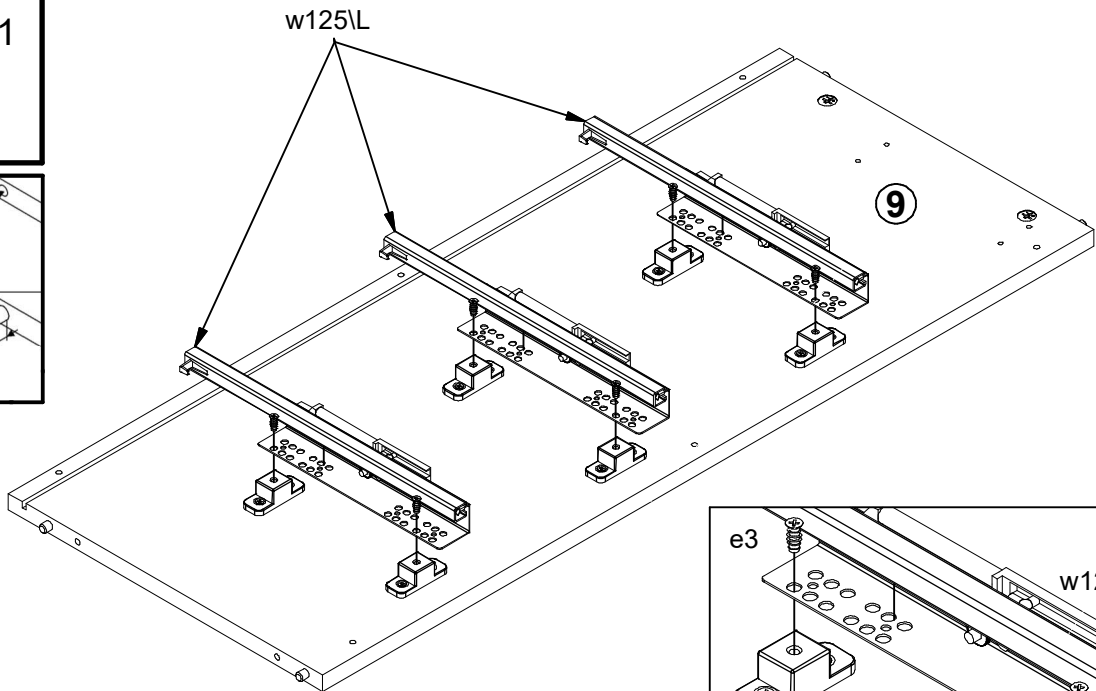
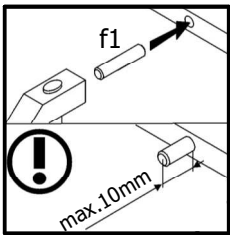
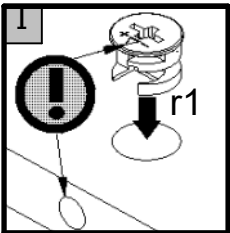
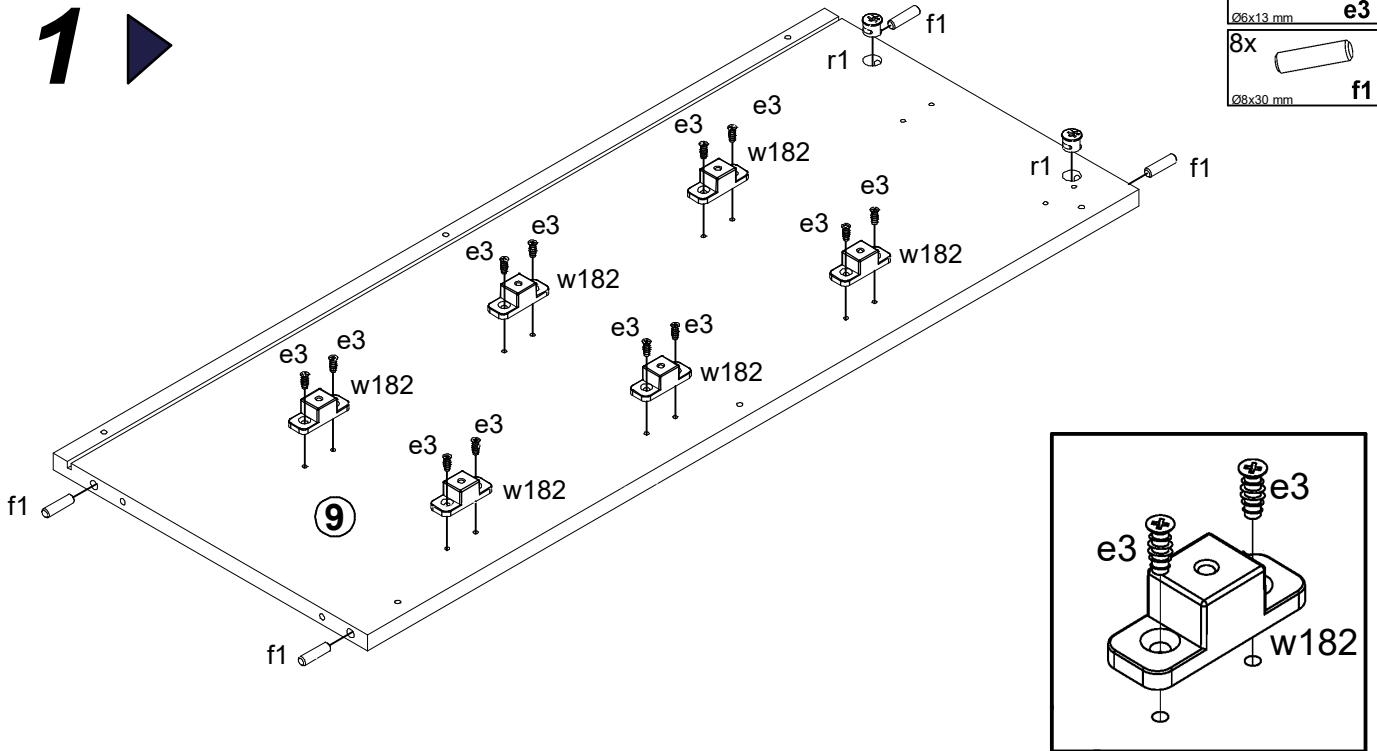


2x hamulec a203	2x b91	2x b95 h=11 mm	5x c453	8x Ø5x17 mm d1	1x d41/2	6x Ø7x50 mm e1	7x Ø7x28 mm e22	
32x Ø6x13 mm e3	4x Ø6x26 mm e64	40x Ø8x30 mm f1	16x Ø6.5x40 mm f25	8x M4x12 mm j3	2x M4x30 mm j6	4x k1	8x l2	6x 20x13x3.5 f n108
1x 88x21x151.5 n14/2	12x Ø4x30 mm p21	10x Ø3.5x15 mm p51	34x Ø2.9x16 mm p55	15x Ø15x12 mm #16 r1	8x Ø12x10.5 mm #12 r15	23x 20/11 r42	4x 300mm w125/L	8x w182
4x 300mm w125/P	10x Ø14mmx0.5mm s59	2x Ø20mm s68						

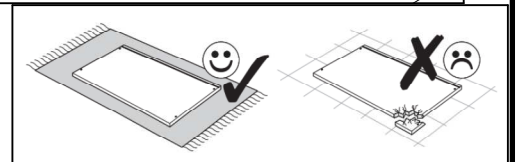


6x Ø6x13 mm e3	3x 300mm w125\L	4x Ø6x26 mm e64	4x Ø15x12 mm #16 r1	6x w182
12x Ø6x13 mm e3				
8x Ø8x30 mm f1				

1 ▶



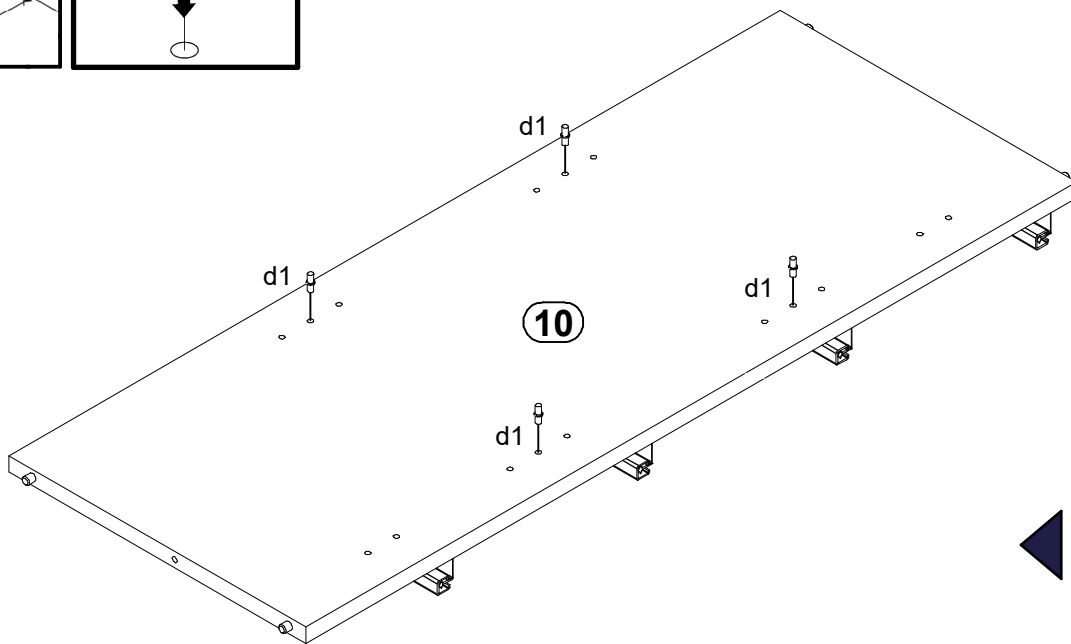
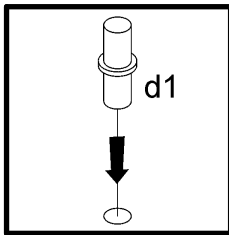
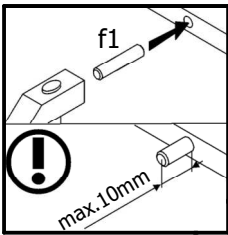
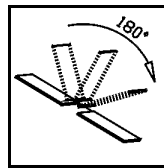
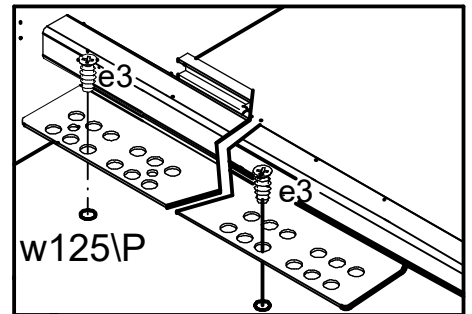
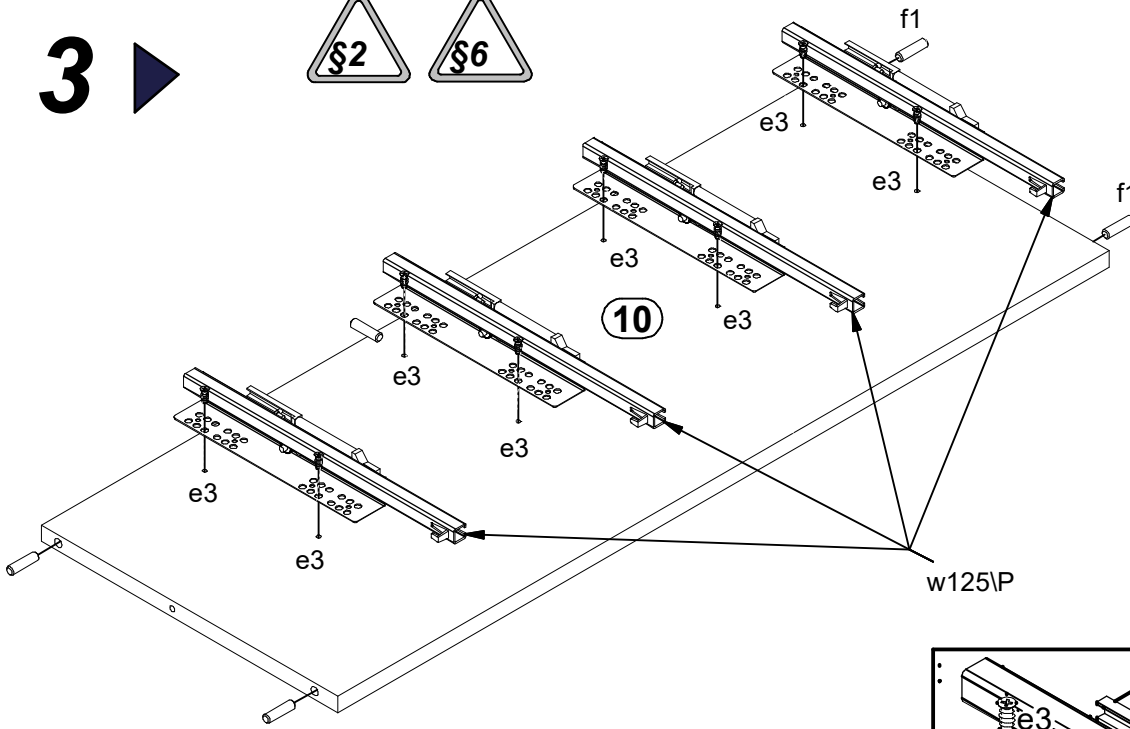
2 ▶



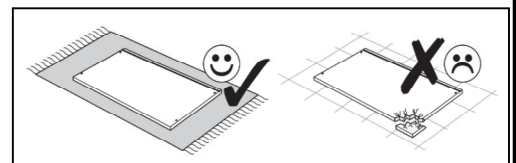
3 ▶










- 6x f1  
∅8x30 mm
- 4x w125/P  
300mm
- 8x e3  
∅6x13 mm
- 4x d1  
∅5x17 mm

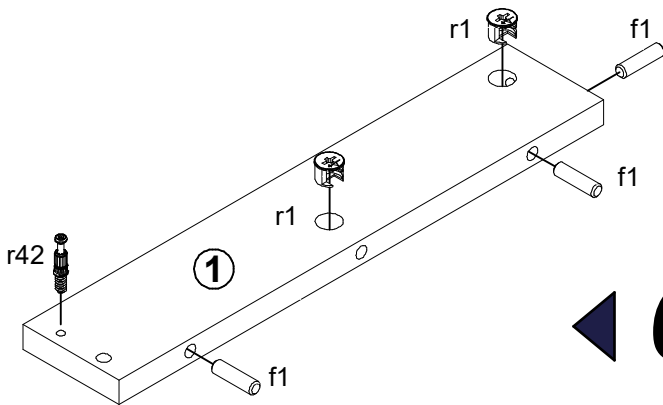
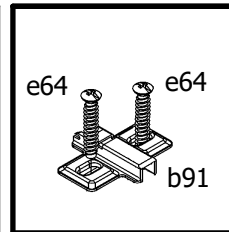
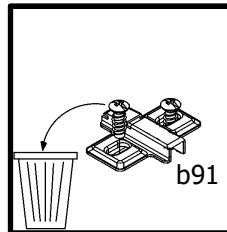
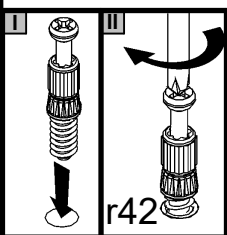
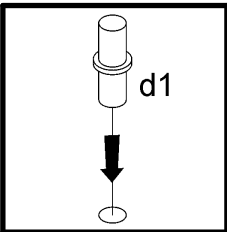
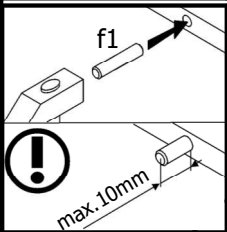
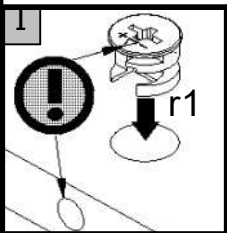
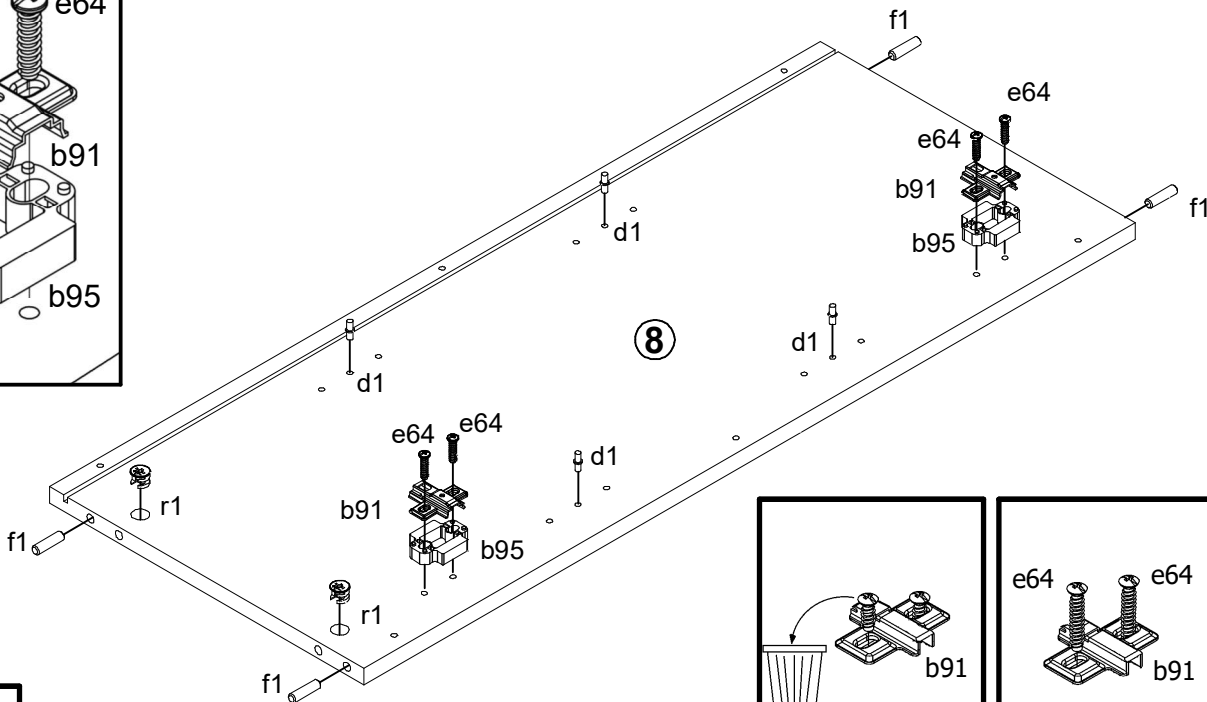
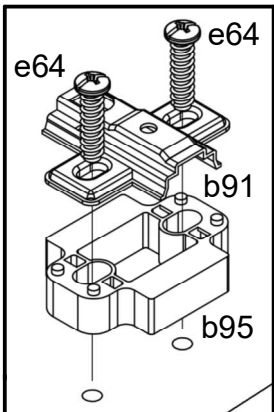


◀ 4

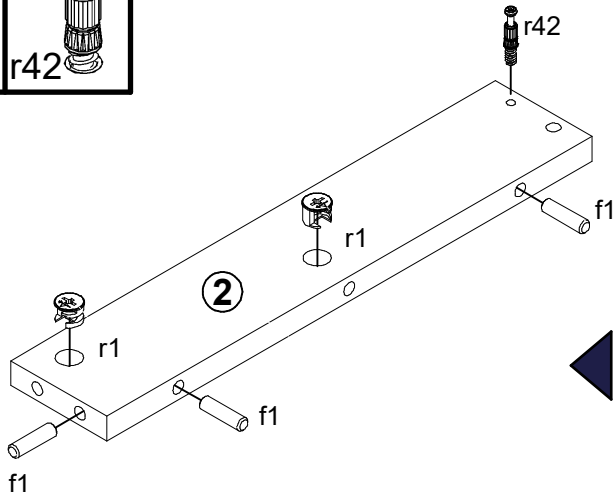


# 5

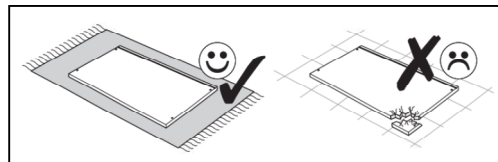
- 2x  b91
- 2x  b95
- 4x  d1
- 4x  e64
- 10  f1
- 6x  r1
- 2x  r42

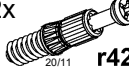
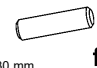



# 6

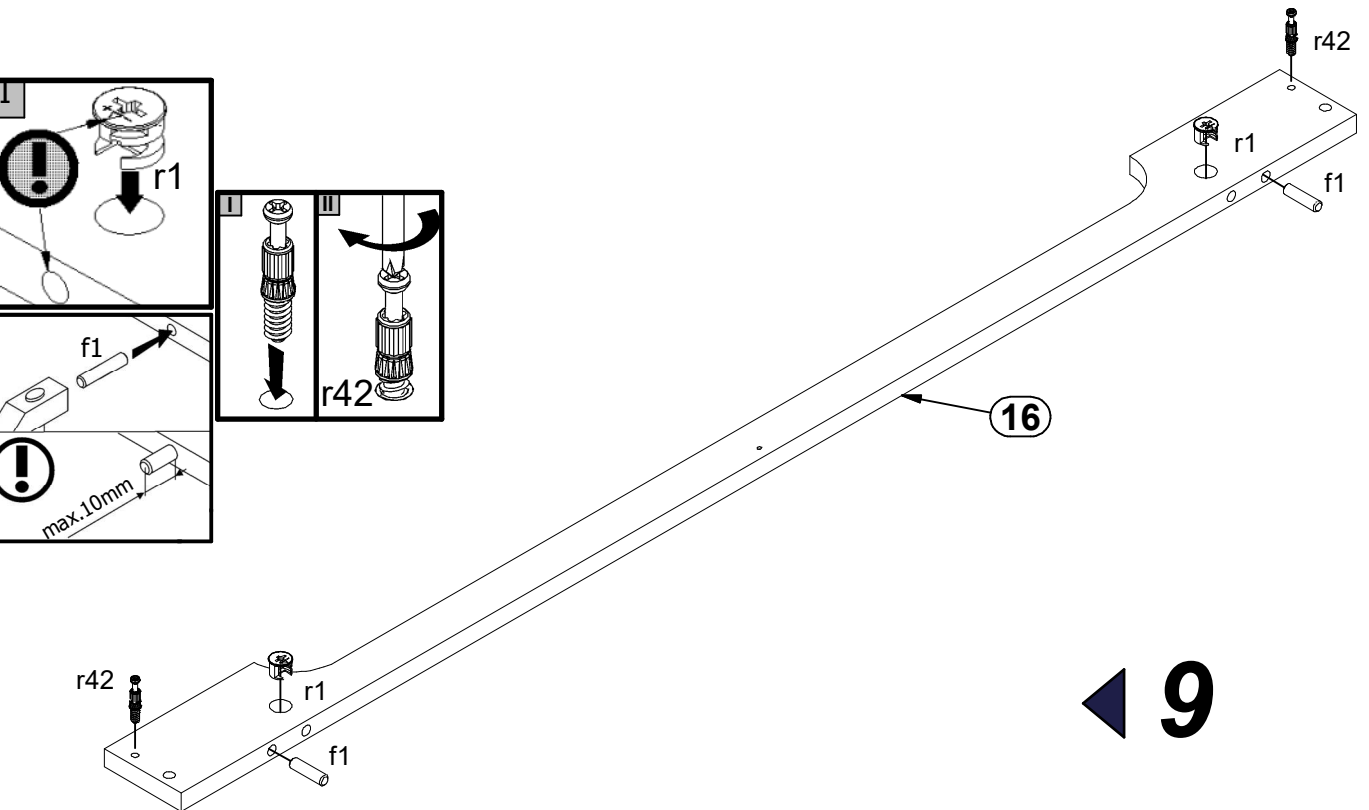
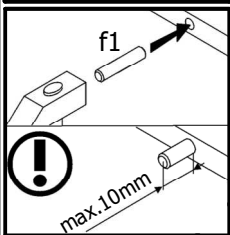
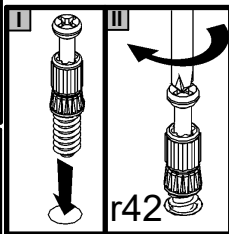
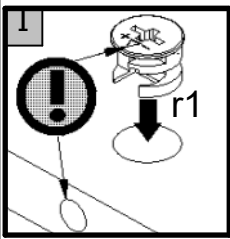
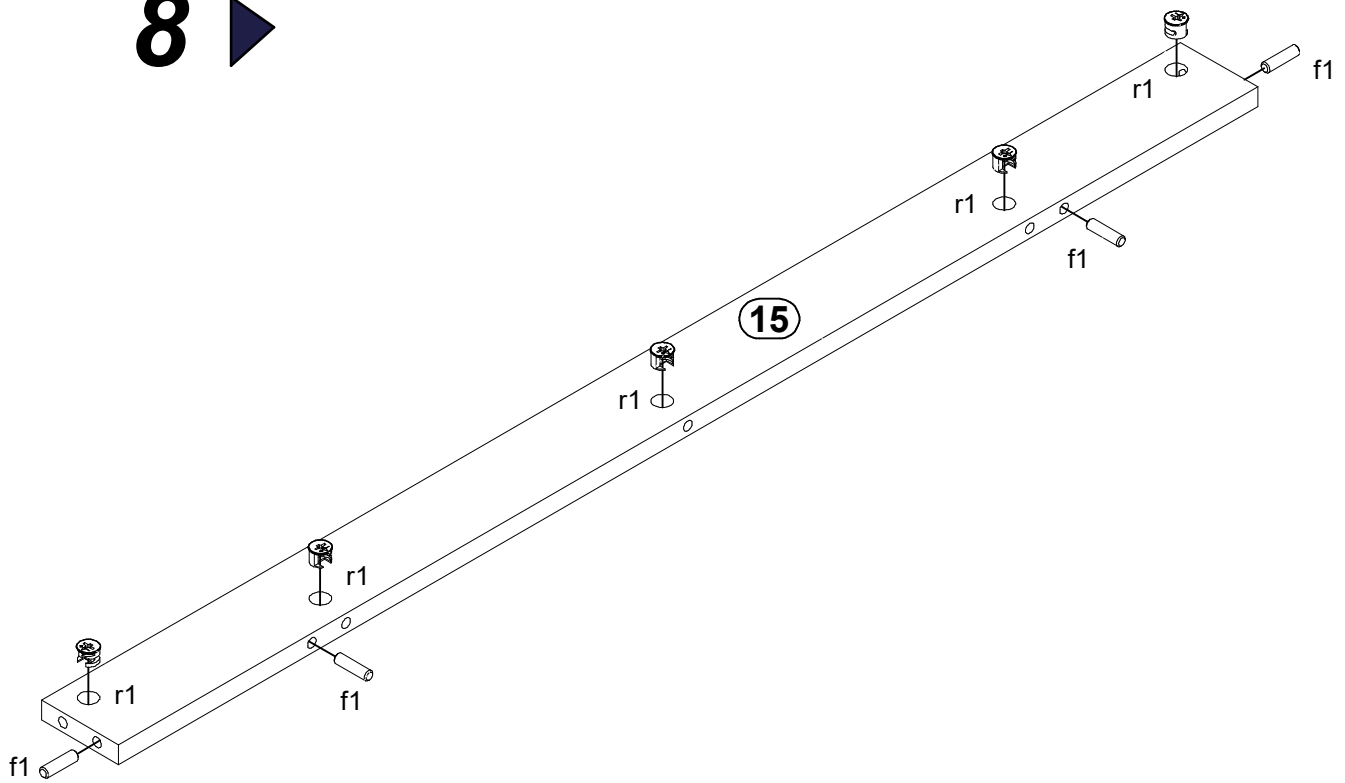


# 7

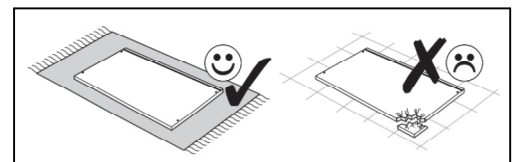


2x		6x		7x	
	r42		Ø8x30 mm	f1	Ø15x12 mm #16 r1

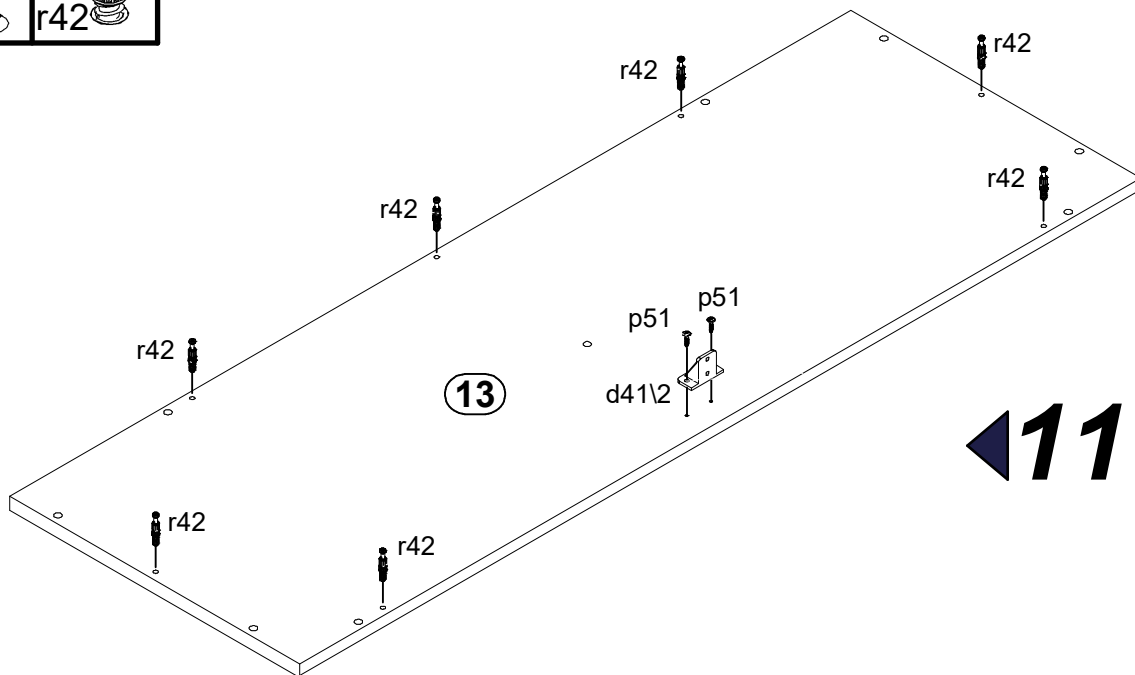
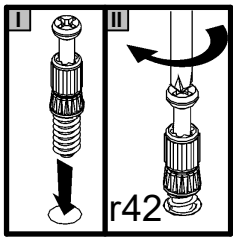
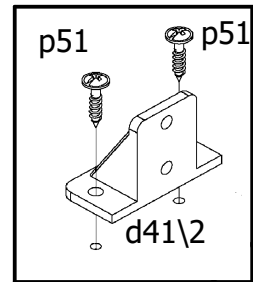
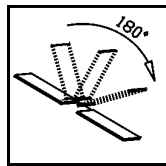
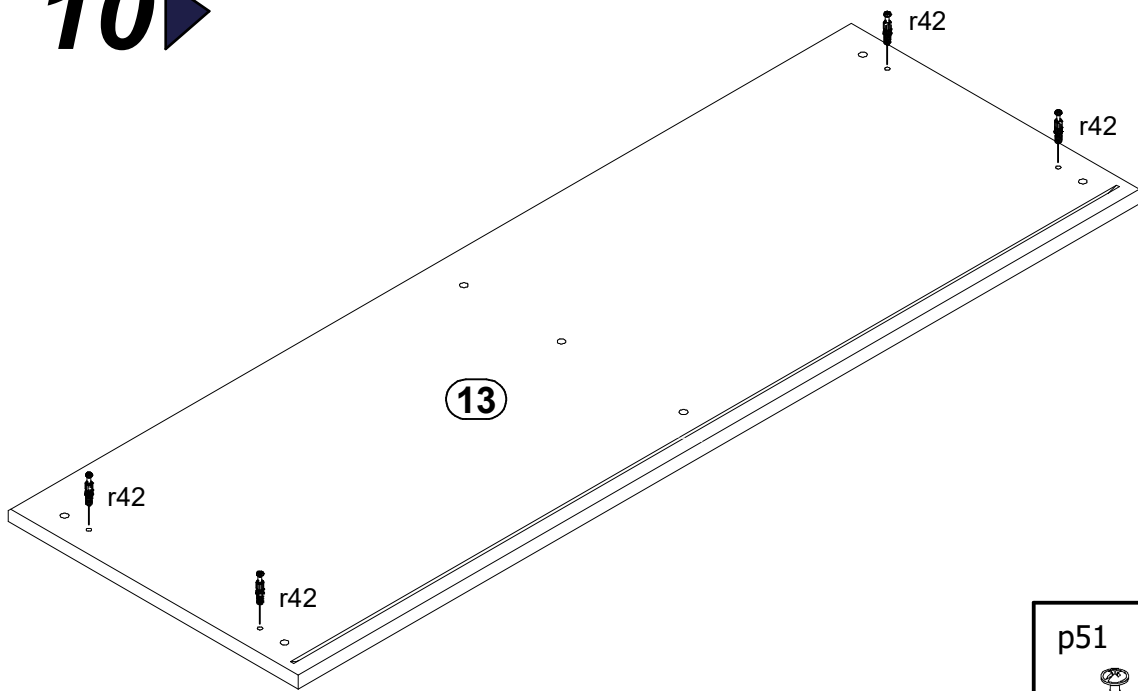
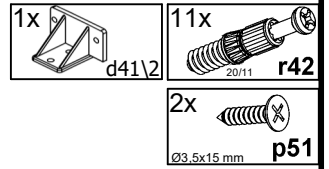
8 ▶



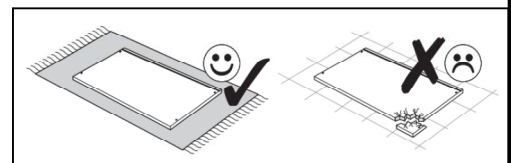
◀ 9



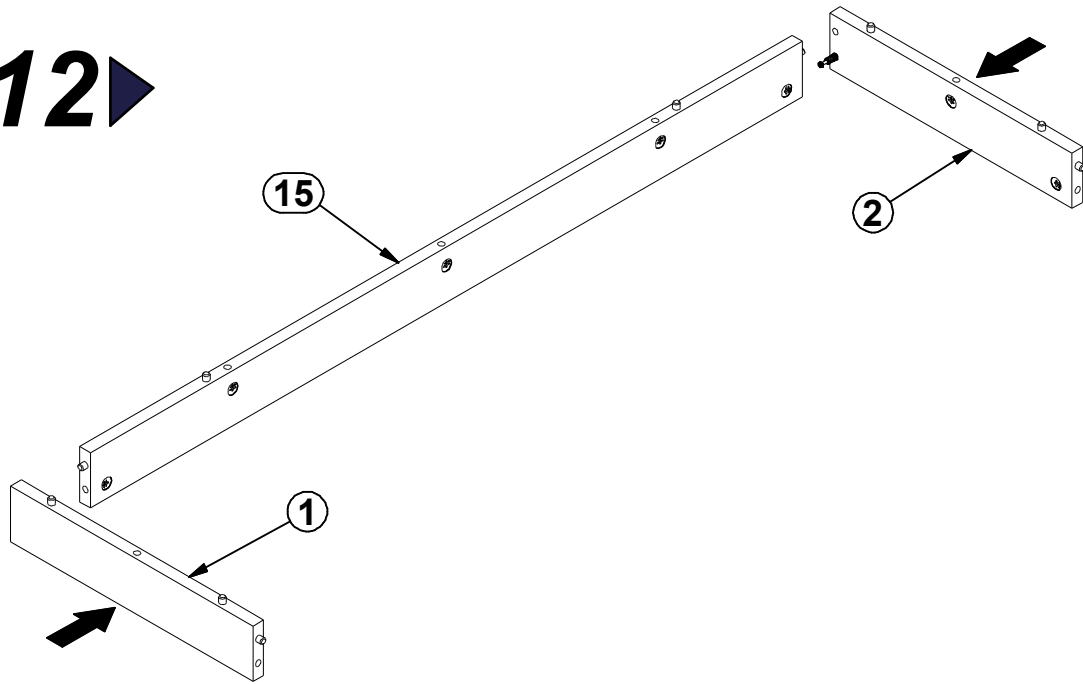
10 ▶





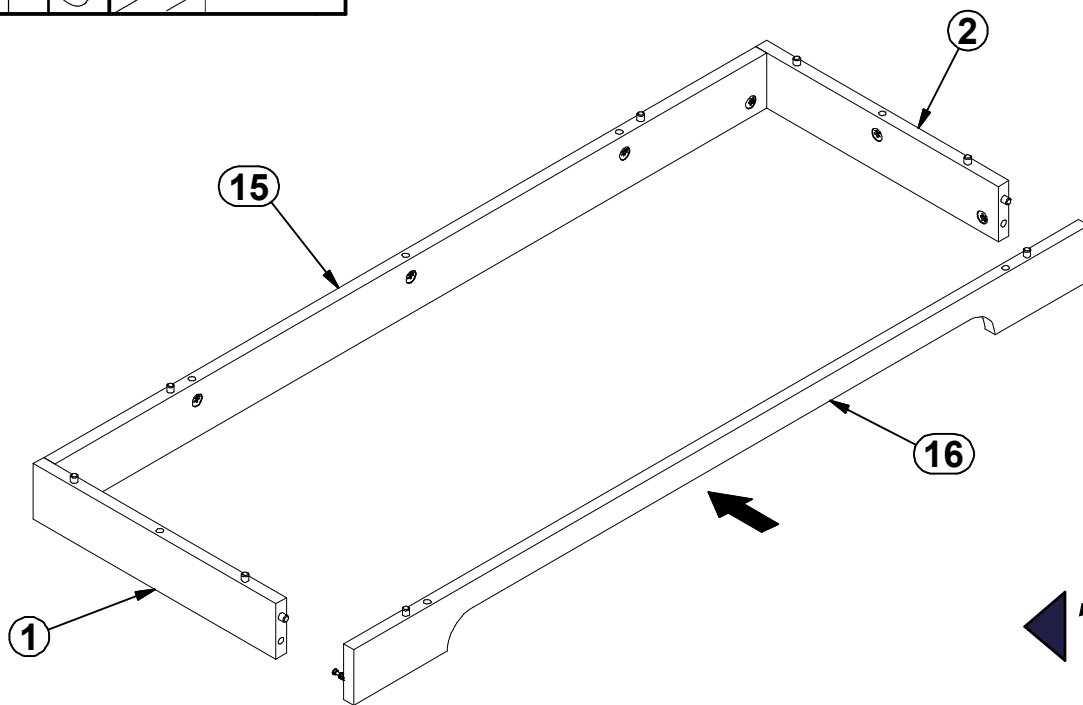
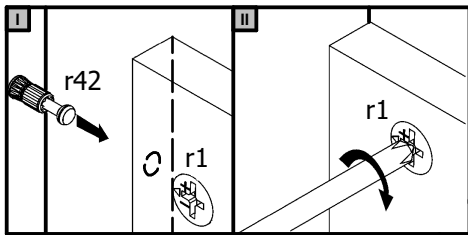
◀ 11



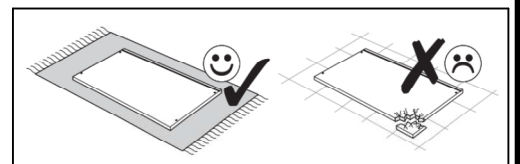
12 ▶



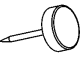

- 2x  p38  
Ø3.5x16 mm
- 4x  k1

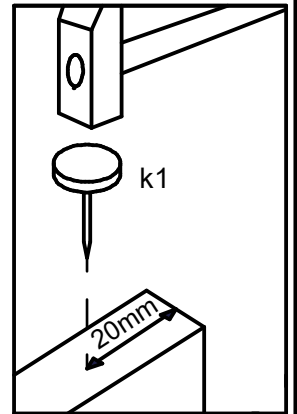
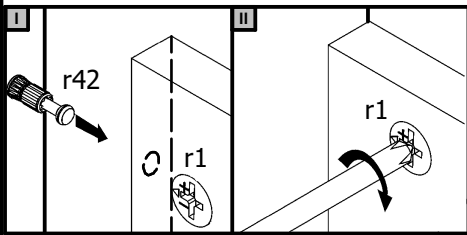
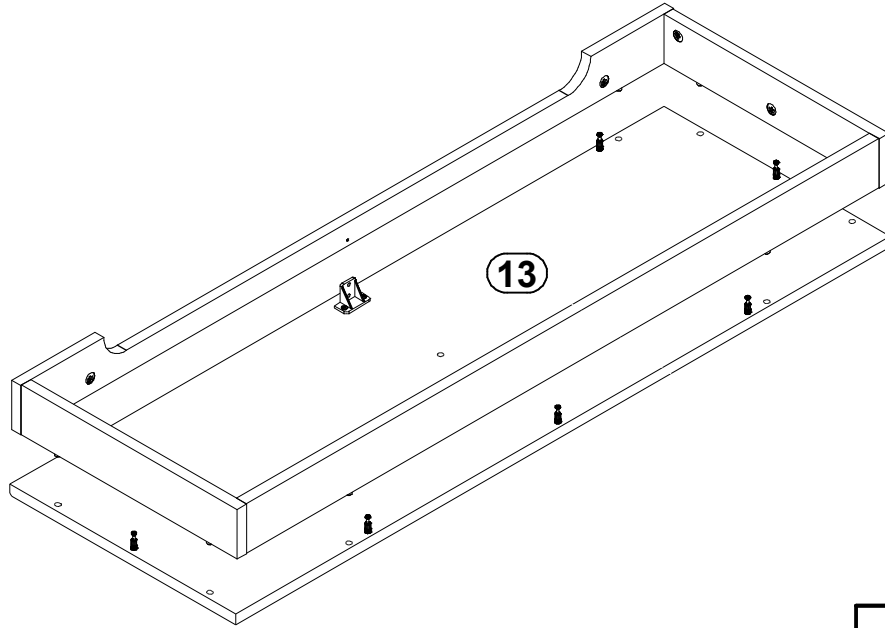


◀ 13

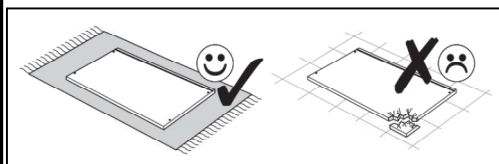
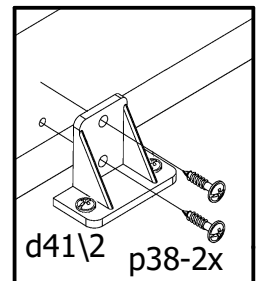
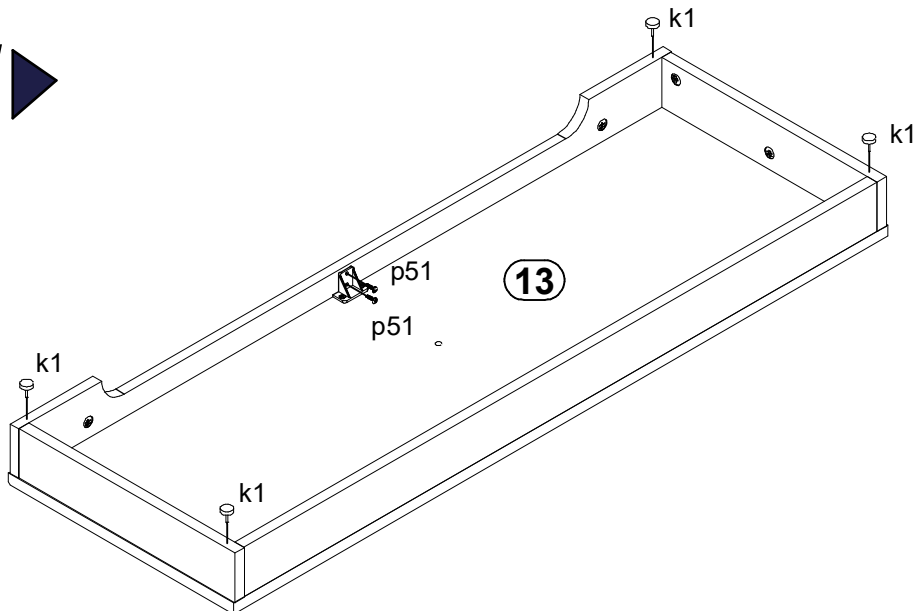


14 ▶

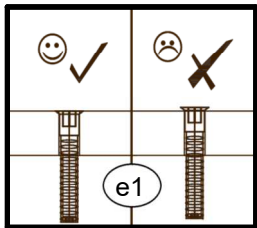
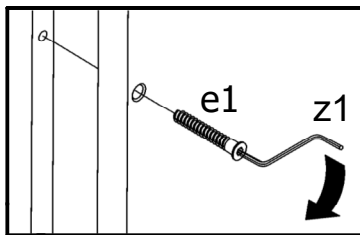
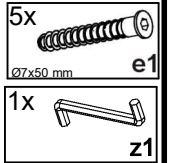
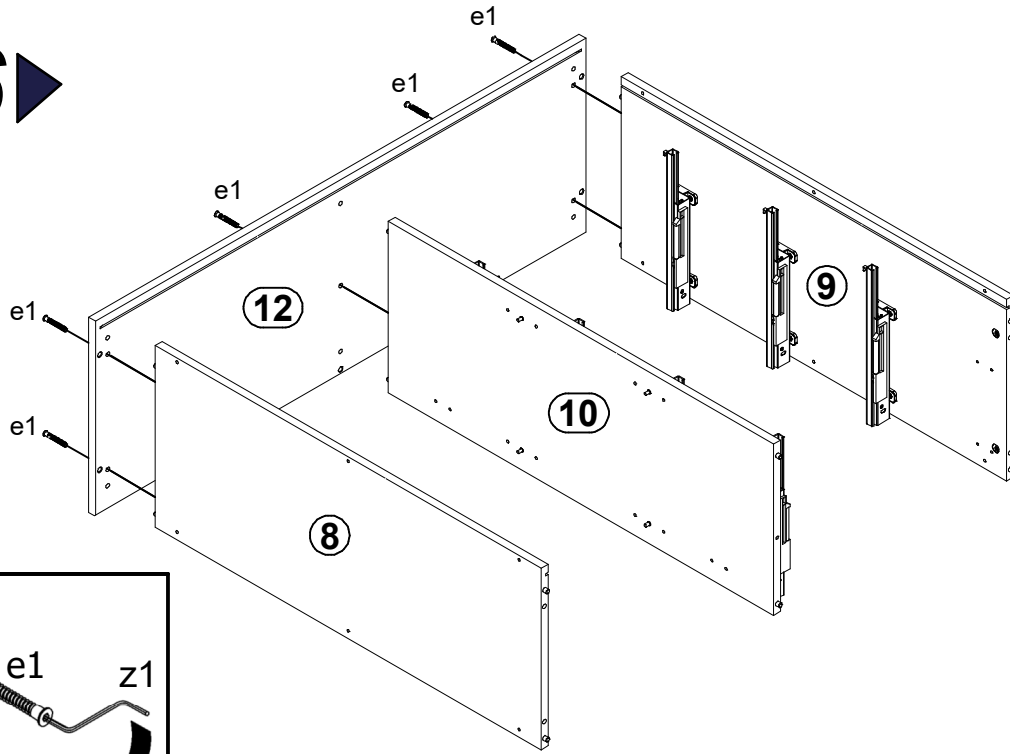
- 4x  k1
- 2x  p51
- Ø3.5x15 mm



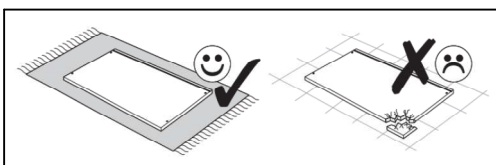
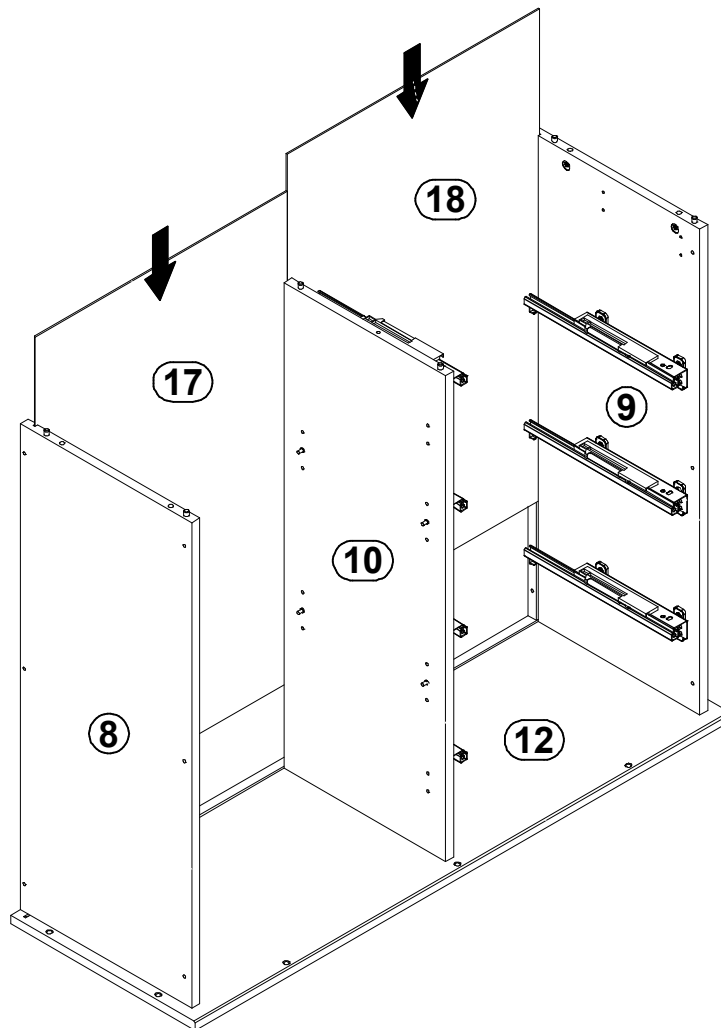
15 ▶



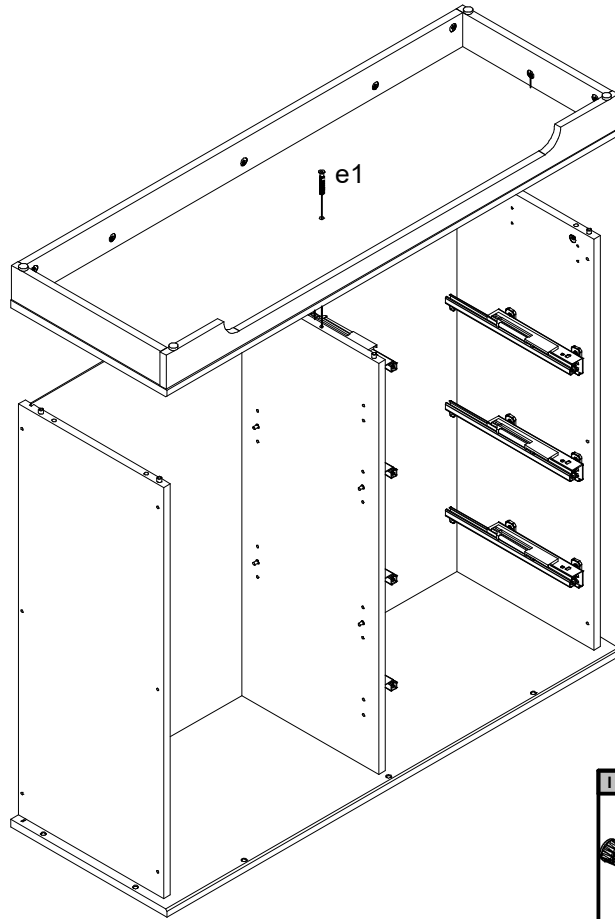
16 ▶





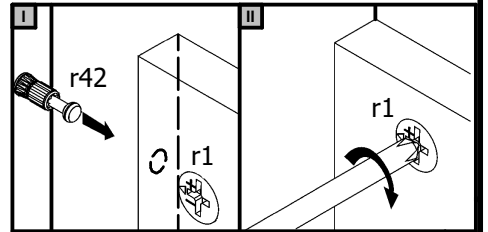
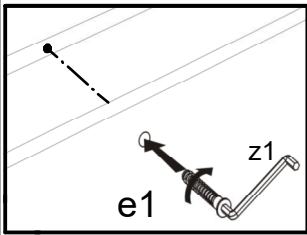
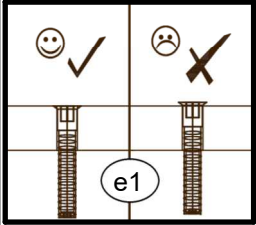
17 ▶



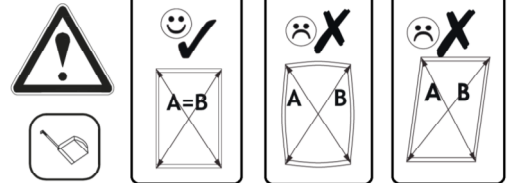
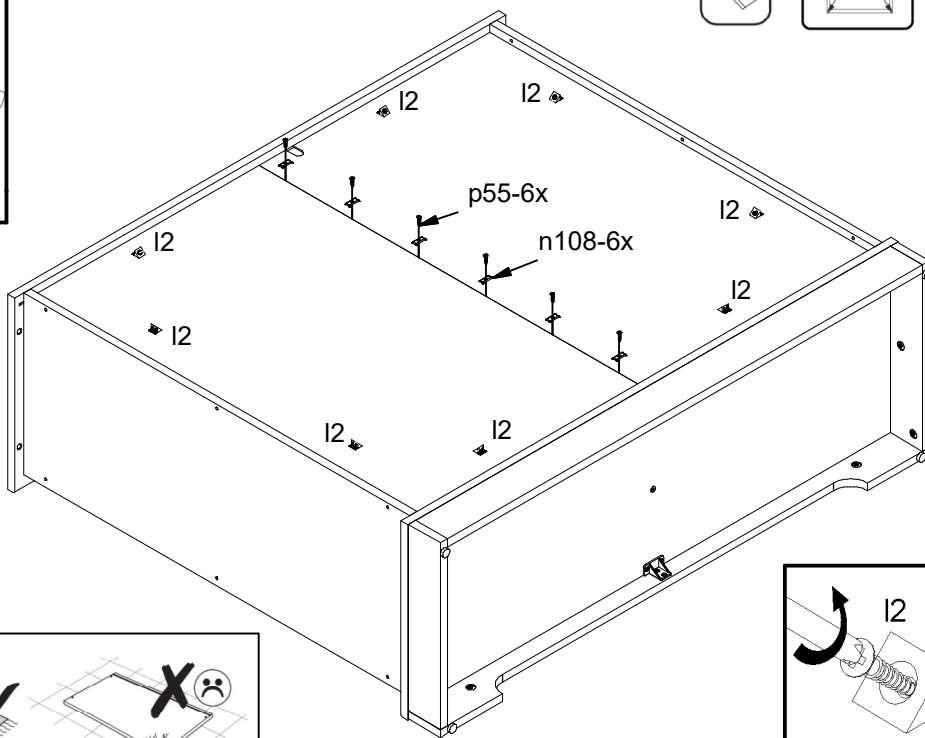
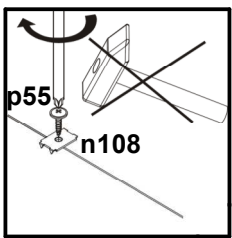
# 18

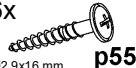
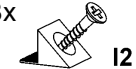



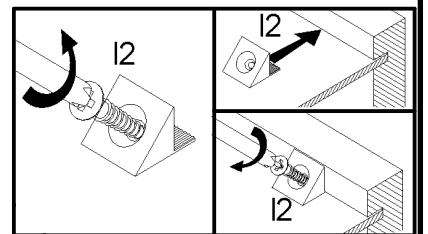
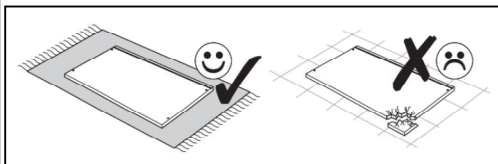
- 1x  z1
- 1x  e1  
Ø7x50 mm



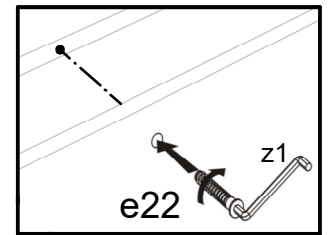
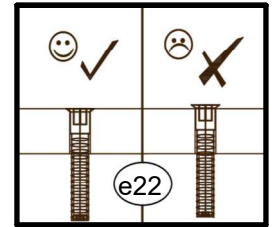
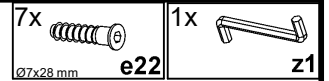
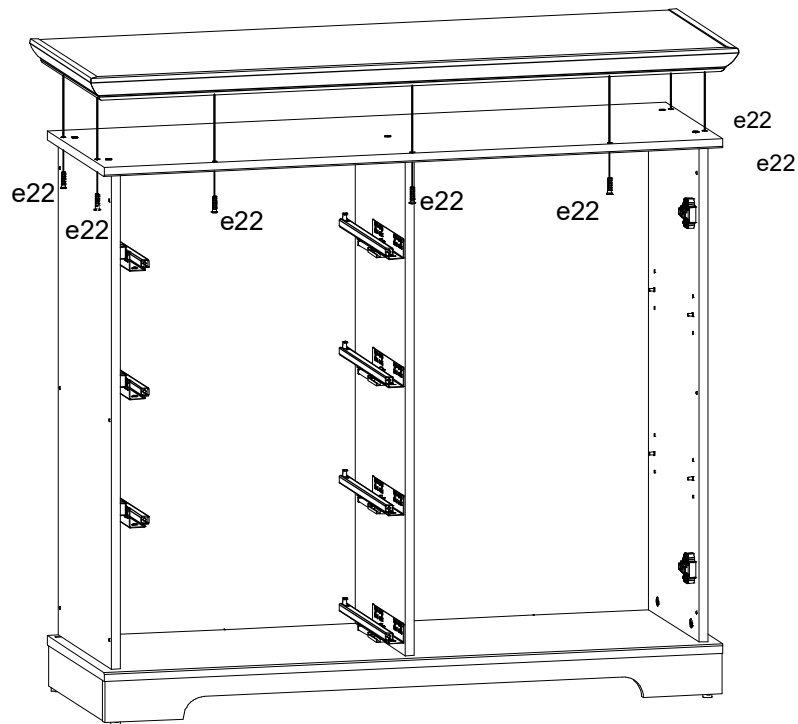
# 19



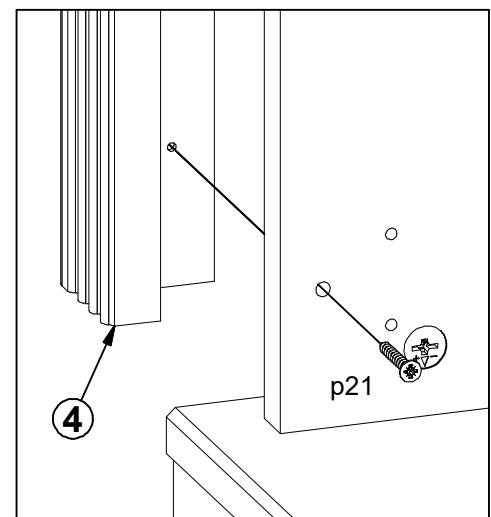
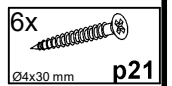
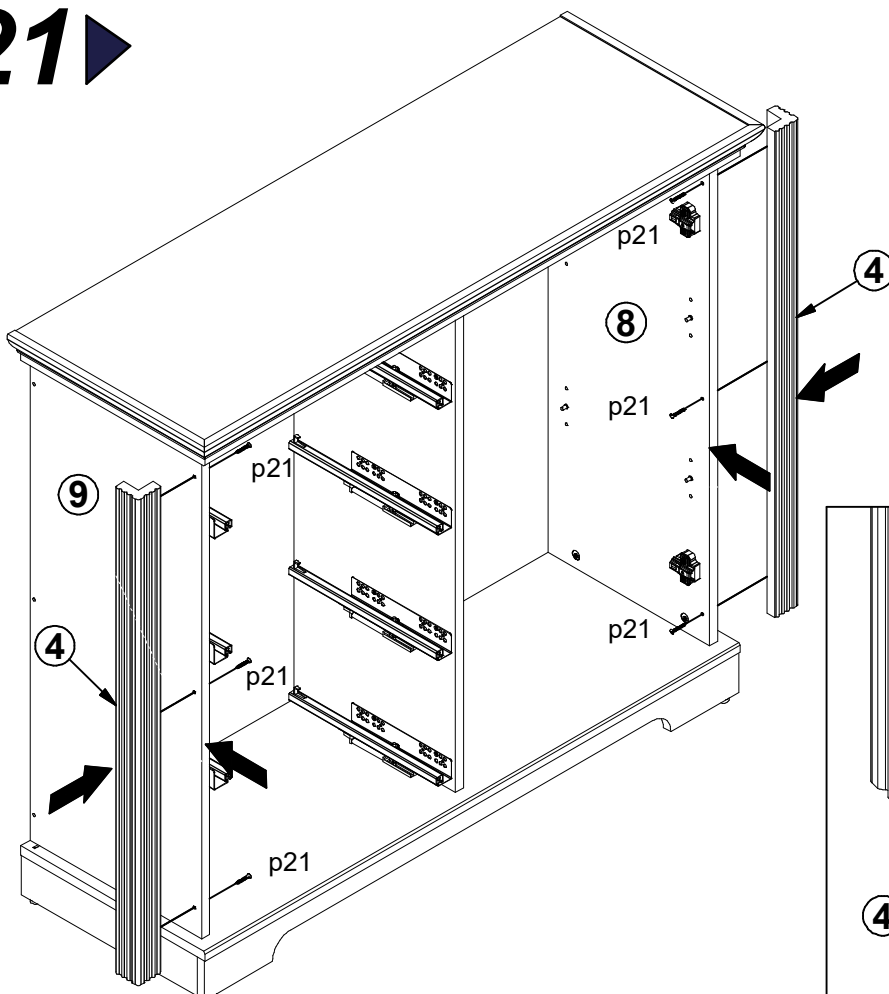
- 6x  p55  
Ø2,9x16 mm
- 8x  I2
- 6x  n108  
20x13x3,5 I



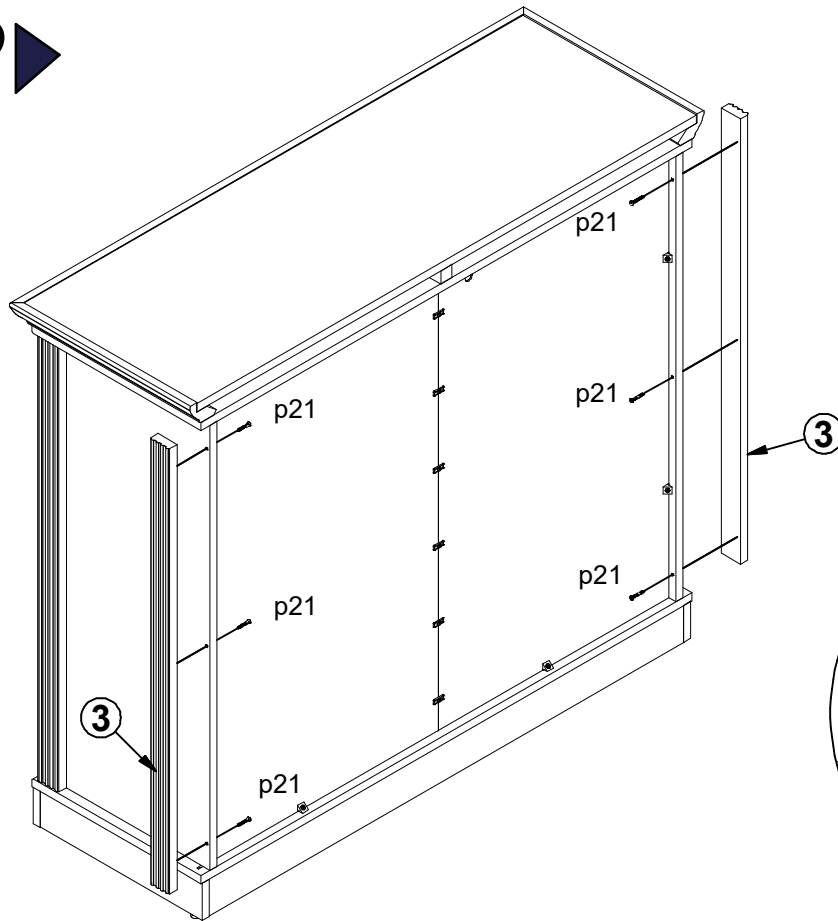
20 ▶




21 ▶

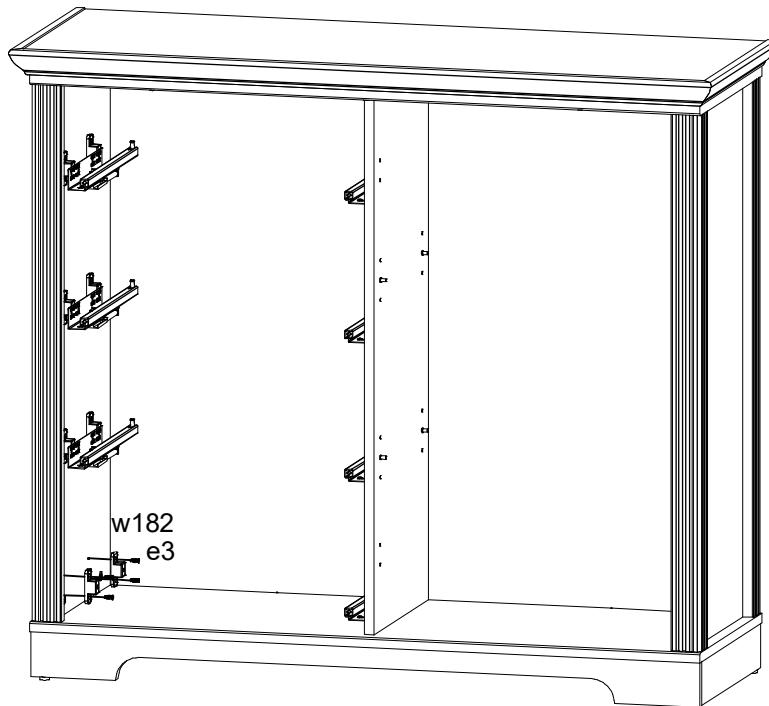



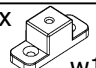
22 ▶

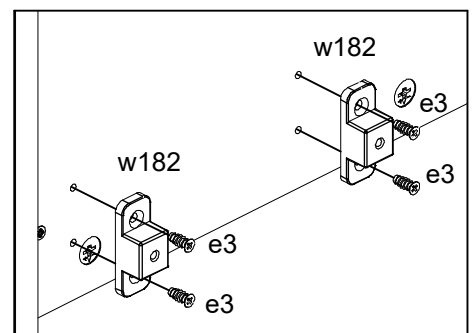


6x   
 Ø4x30 mm p21



23 ▶

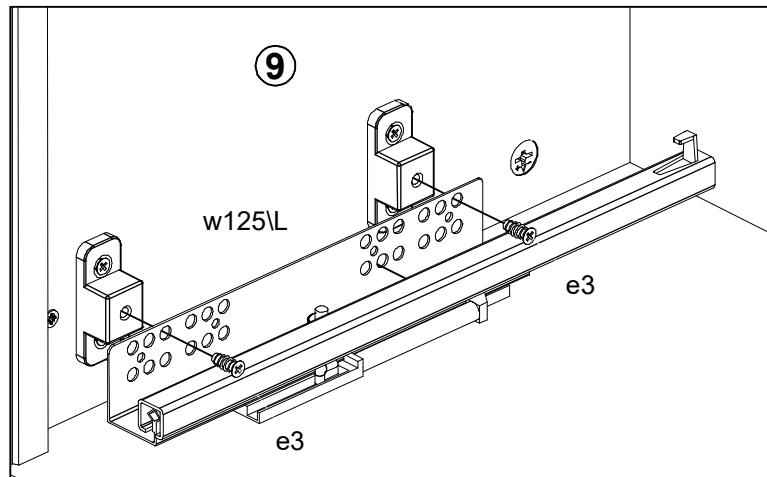
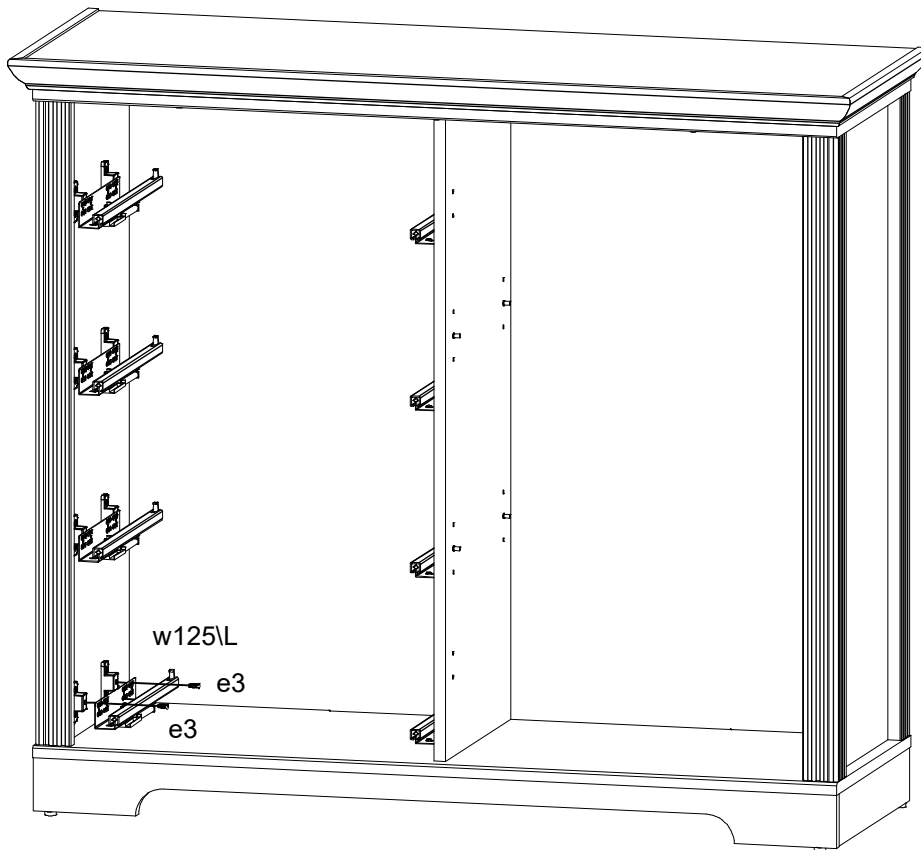


4x   
 Ø6x13 mm e3  
 2x  w182



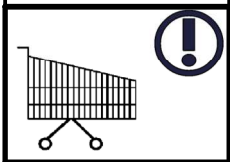
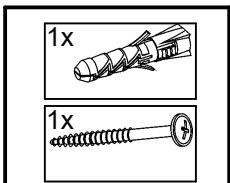
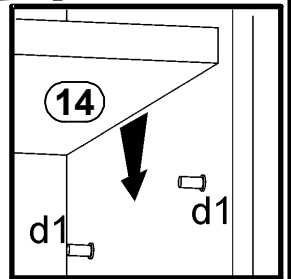
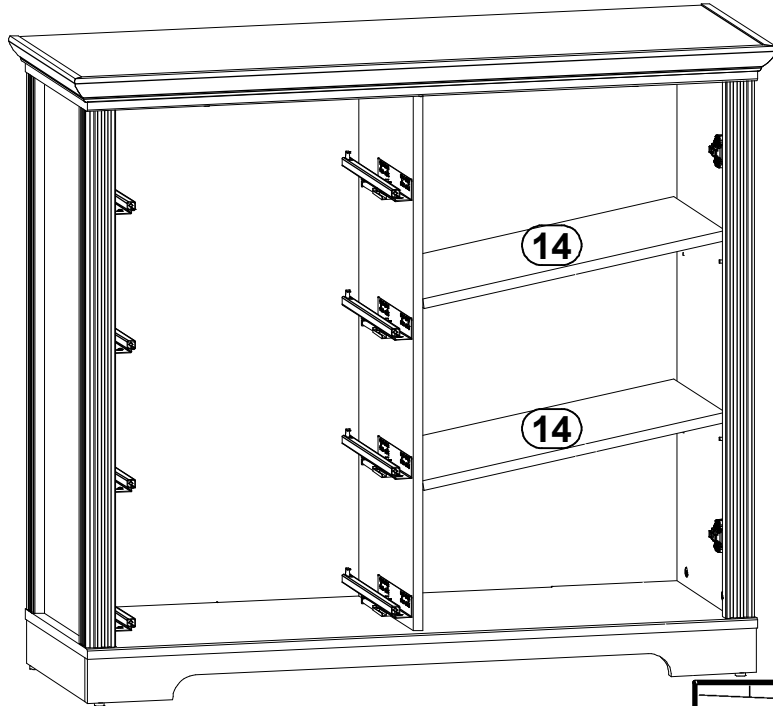
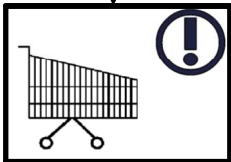
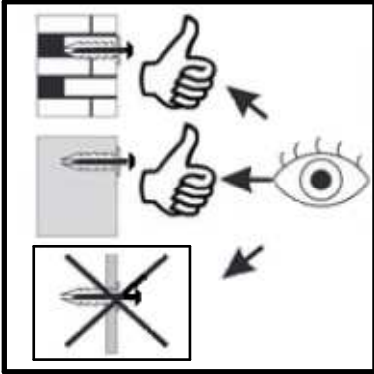
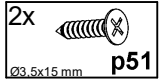
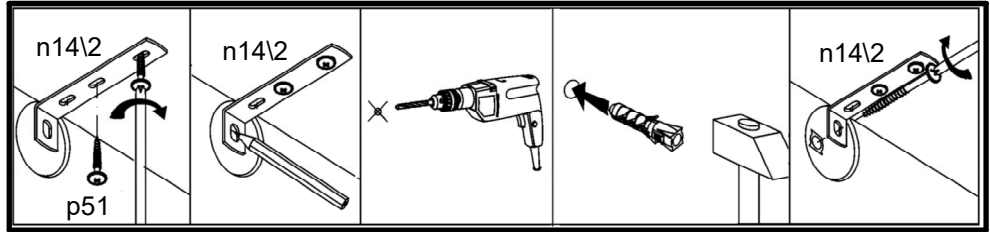
24 ▶

- 1x  300mm w125\L
- 2x  Ø6x13 mm e3

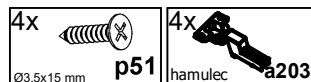
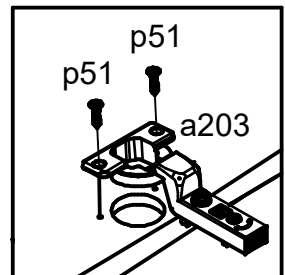
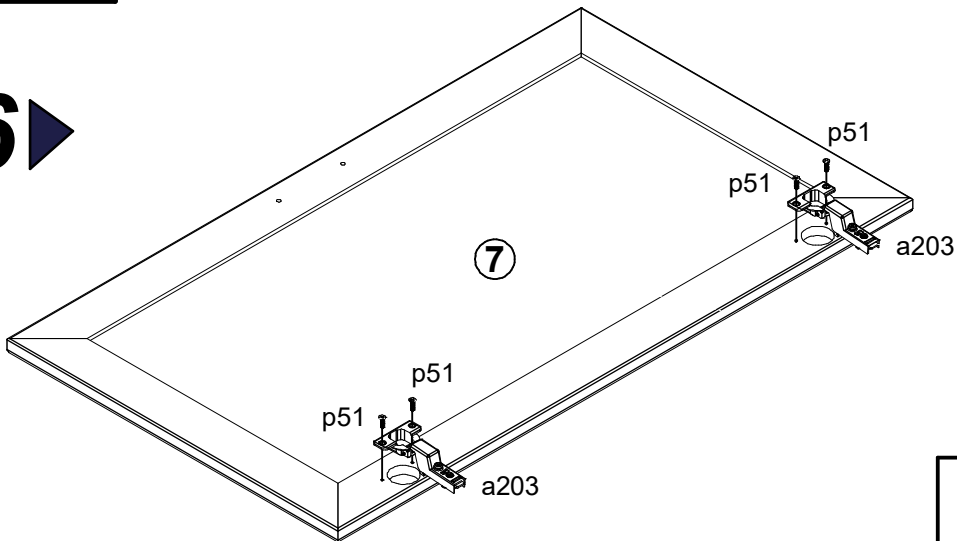




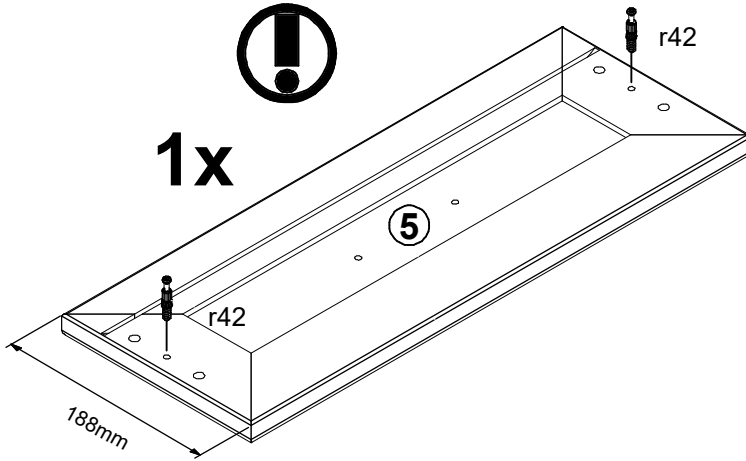
25 ▶



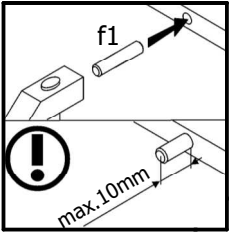
26 ▶



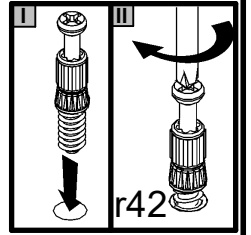
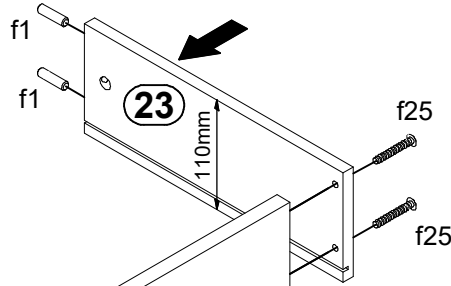
27 ▶



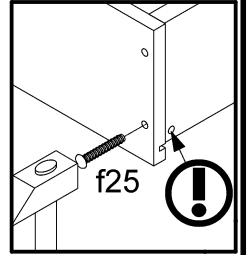
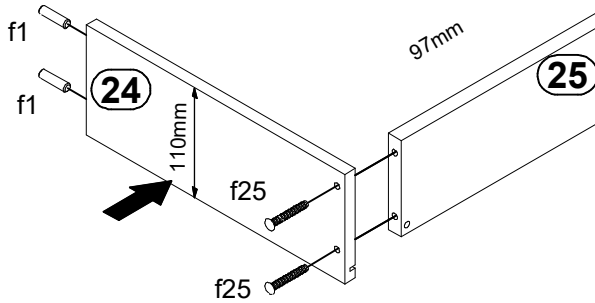
- 2x r42
- 2x r15
- 4x f25
- 4x f1



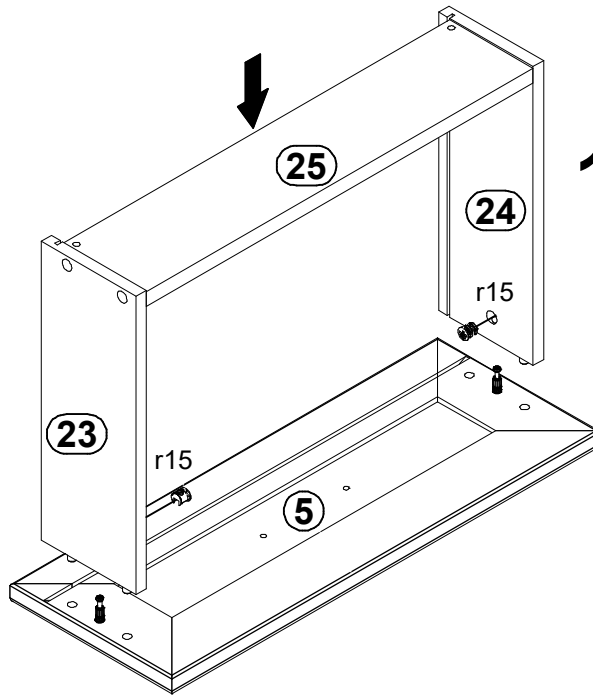
1x



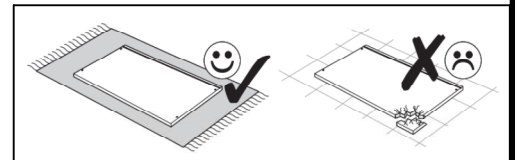
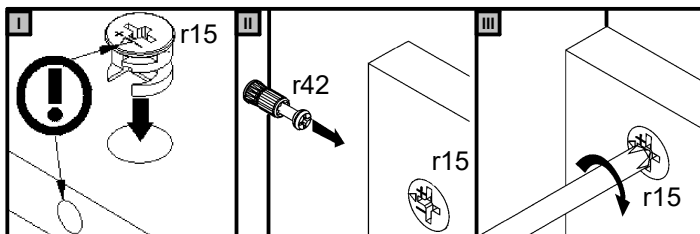
28 ▶



29 ▶

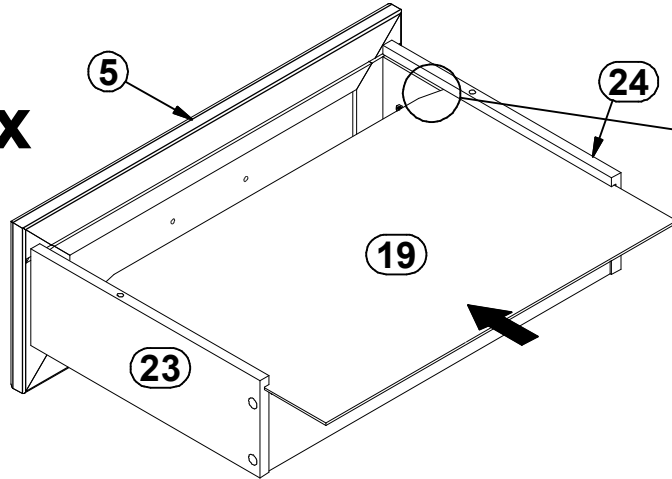


1x

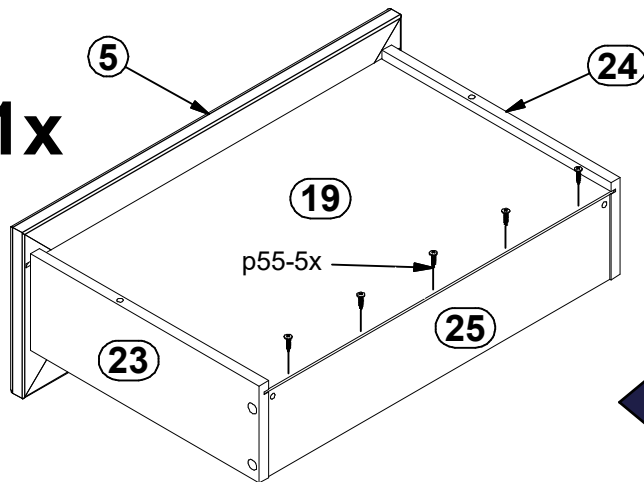


30 ▶

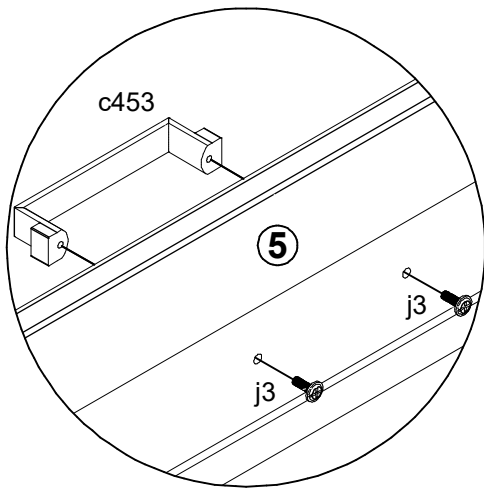
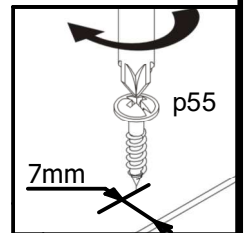
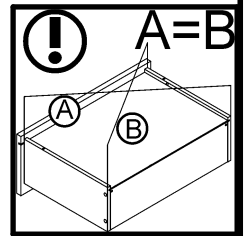
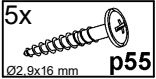
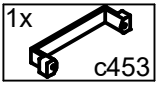
1x



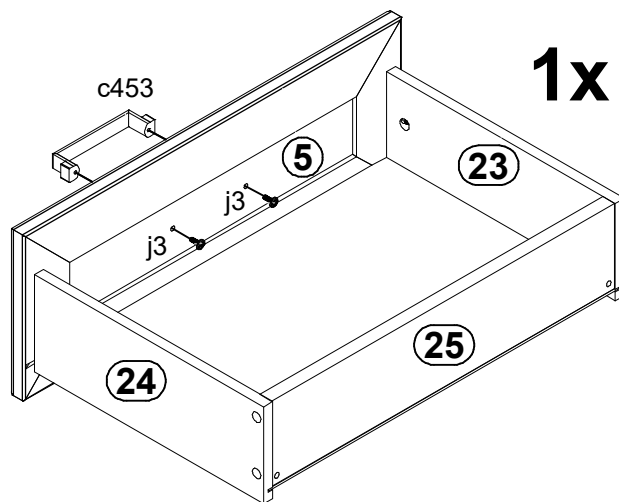
1x



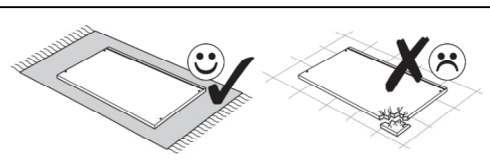
◀ 31



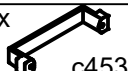


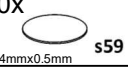
1x

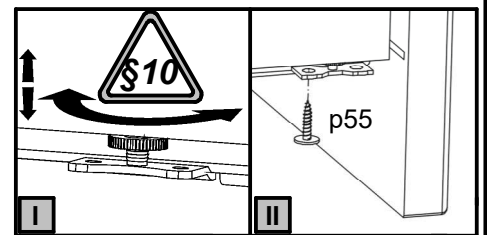
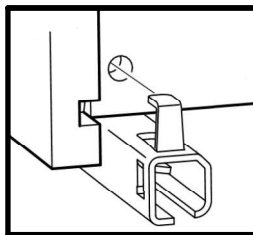
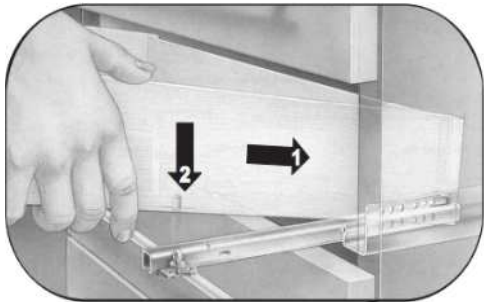
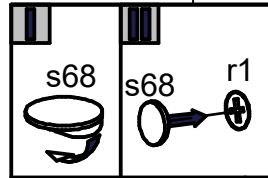
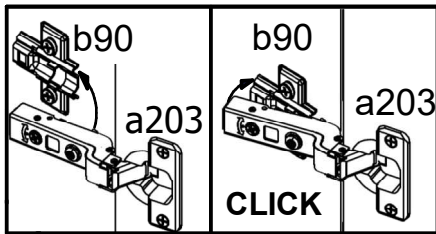
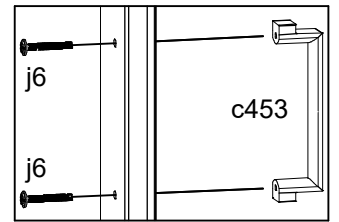
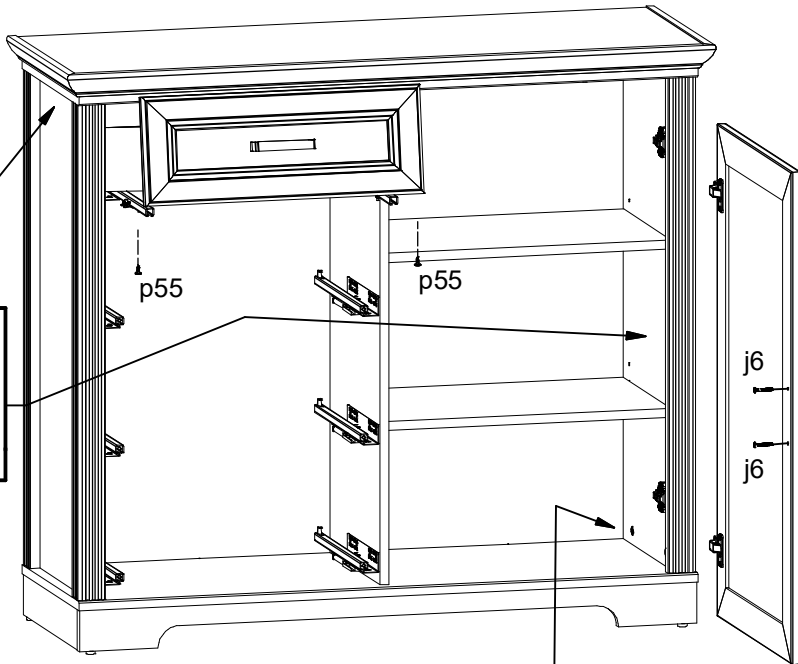
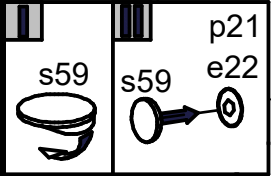


◀ 32

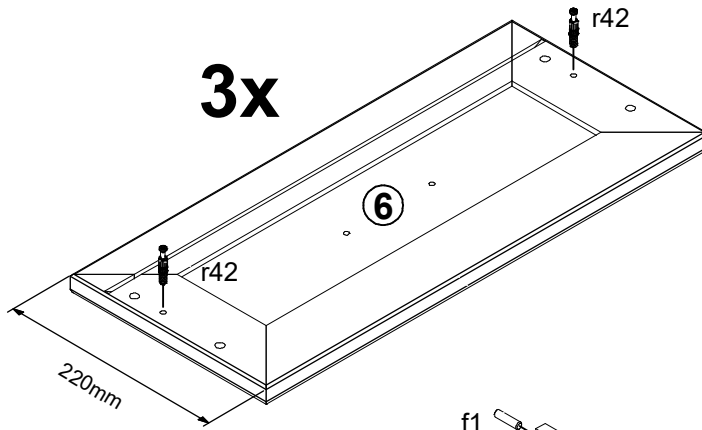




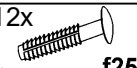

# 33

- 1x  c453
- 2x  j6  
M4x30 mm
- 2x  s68  
Ø20mm
- 10x  s59  
Ø14mmx0.5mm

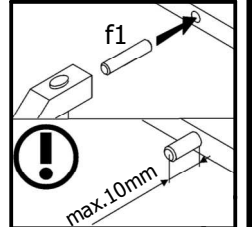
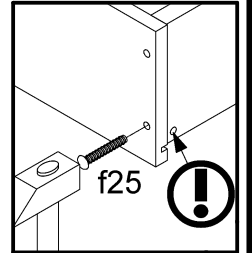
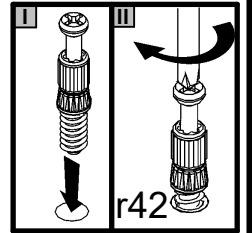
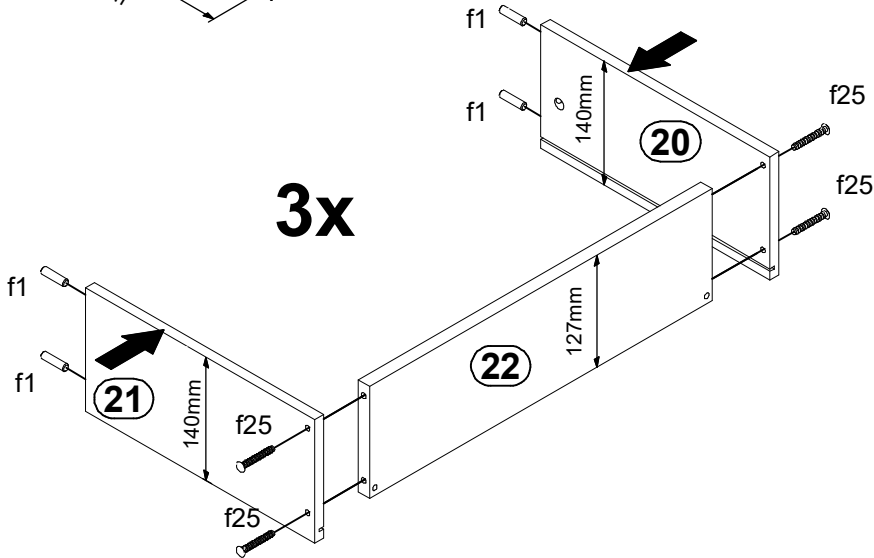


34 ▶

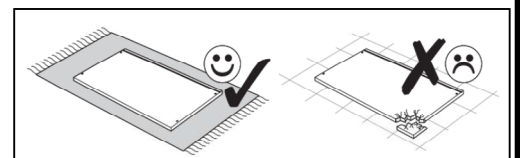
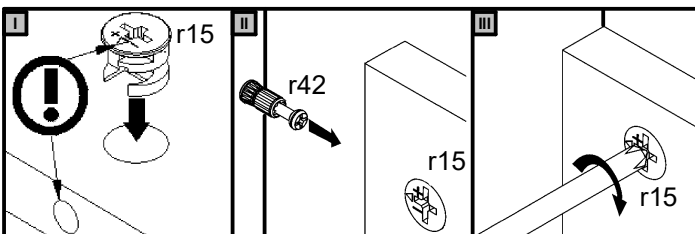
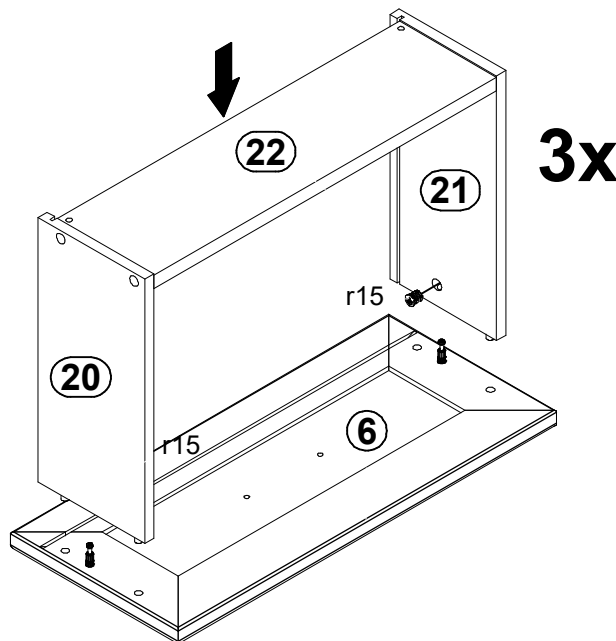


- 12x  r42
- 6x  r15
- 12x  f25
- 12x  f1

35 ▶

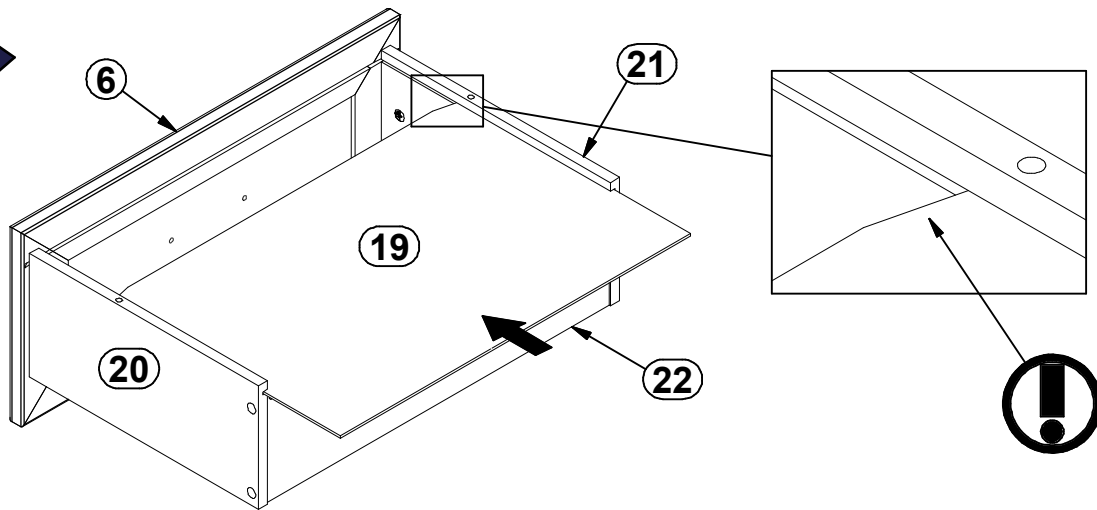


36 ▶





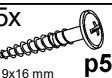
**37** ▶

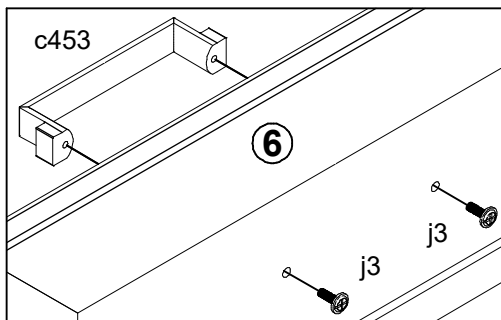
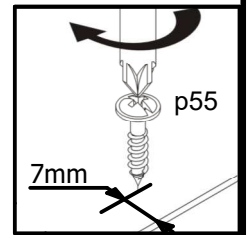
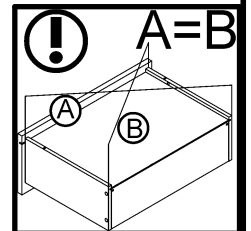
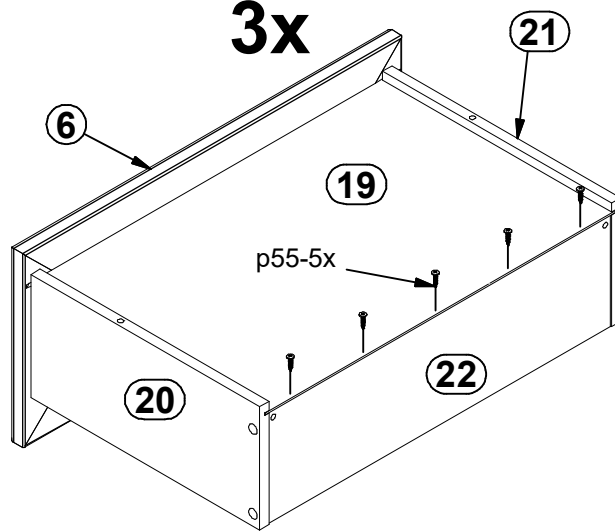
**3x**



**38** ▶

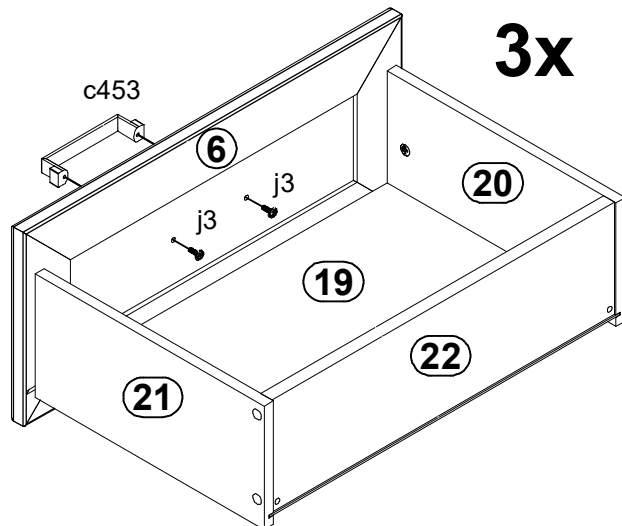
**3x**

- 3x  c453
- 6x  j3  
M4x12 mm
- 15x  p55  
Ø2.9x16 mm



**39** ▶

**3x**



40 ▶

