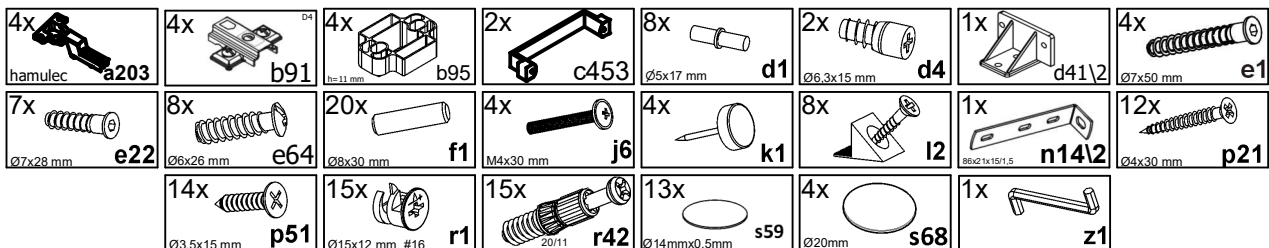
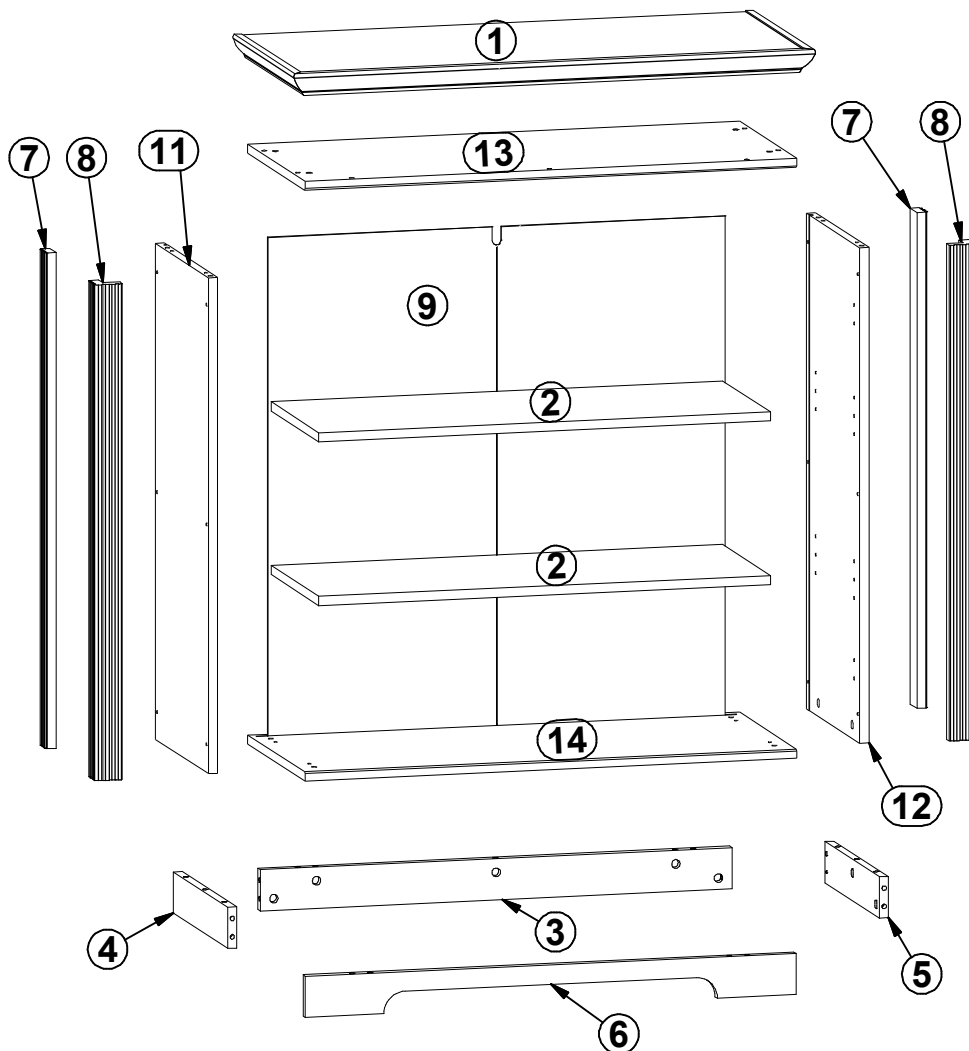
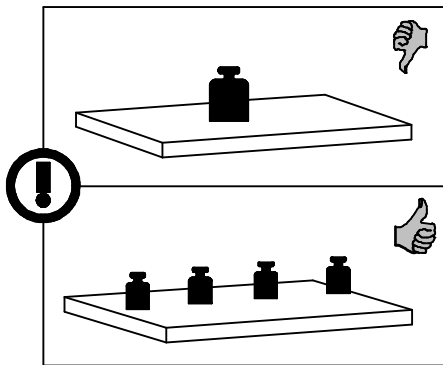
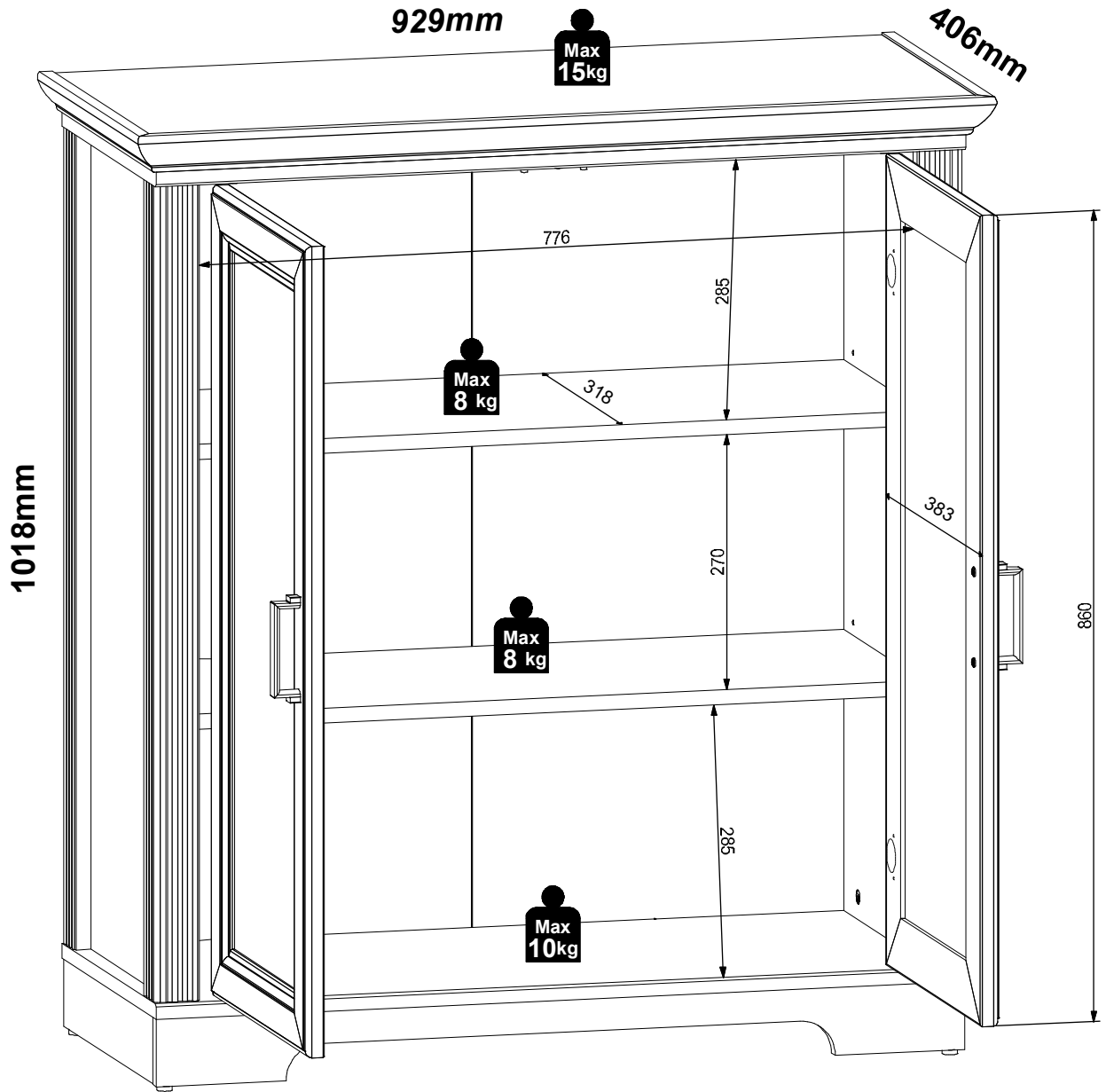


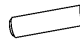

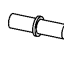



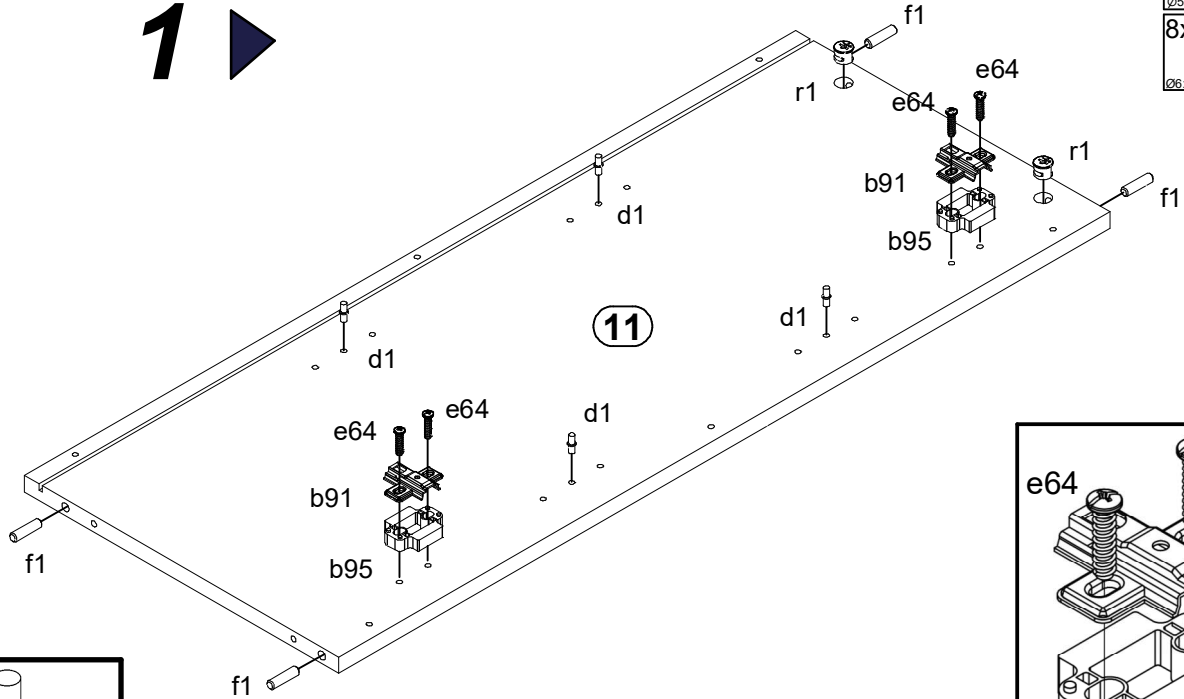
A	B1	B2	C1	C2	C3	D
1	M261-2003	-.4	929	406	43	2/2
2	M261-3001	-.2	804	318	16	2/2
3	M261-4101	-.2	840	72	16	1/2
4	M261-4102	-.2	363	72	16	1/2
5	M261-4103	-.2	363	72	16	1/2
6	M261-4151	A.1	874	72	15	1/2
7	M261-5001	-.3	866	43	19	1/2
8	M261-5002	-.3	866	49	49	1/2
9	M261-9301	-.4	876	815	2,5	2/2
10	S713-0001	-.4	860	383	22	1/2
11	S713-1001	-.1	866	353	16	1/2
12	S713-1002	-.1	866	353	16	1/2
13	S713-2001	-.2	876	380	16	2/2
14	S713-2002	-.3	876	380	16	2/2



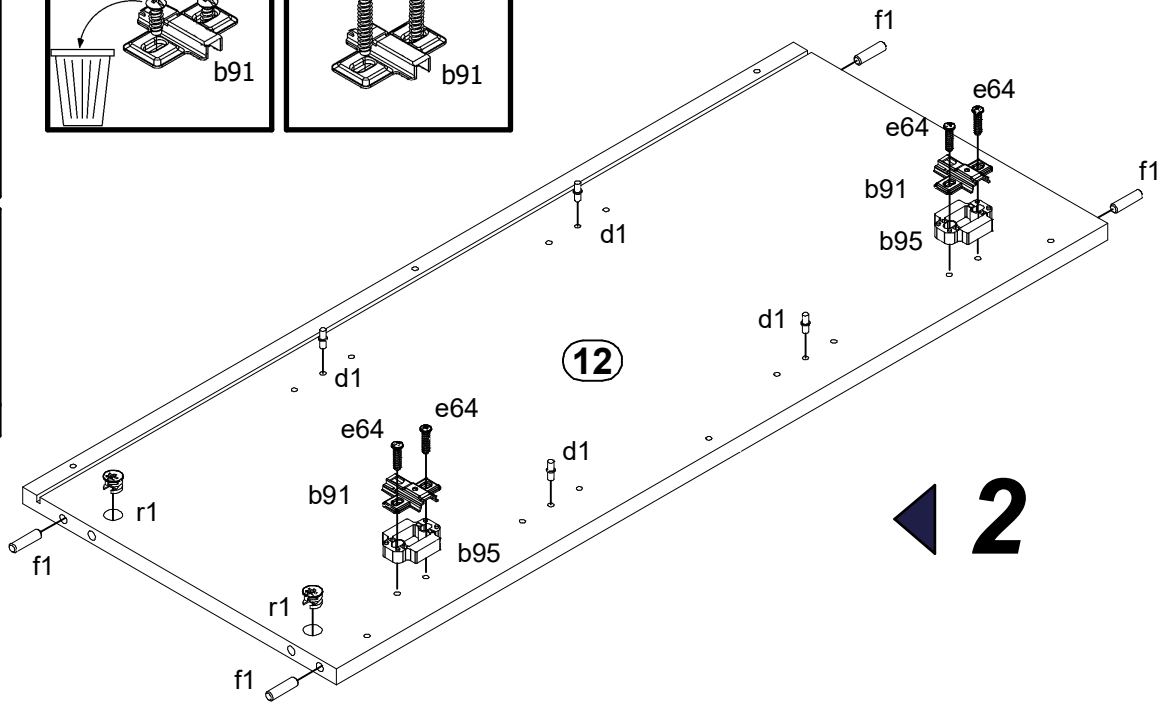
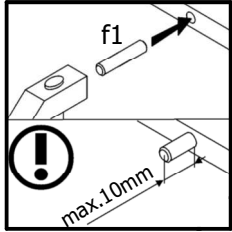
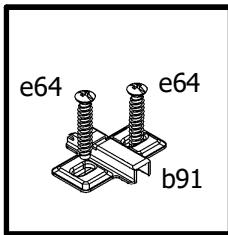
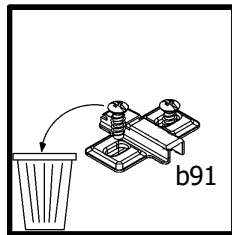
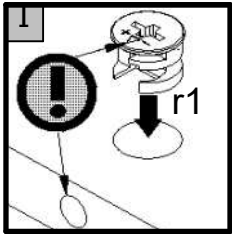
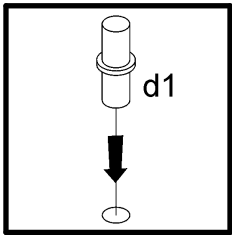
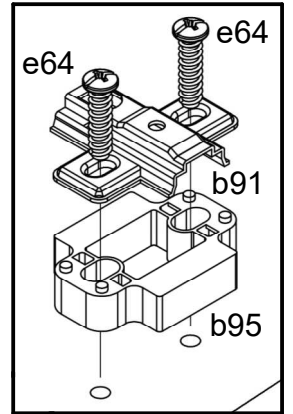


4x  b91	4x  b95	8x  f1	4x  r1
			8x  d1
			8x  e64

1 ▶

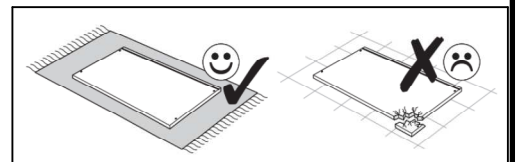


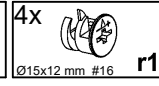
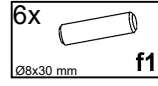
11



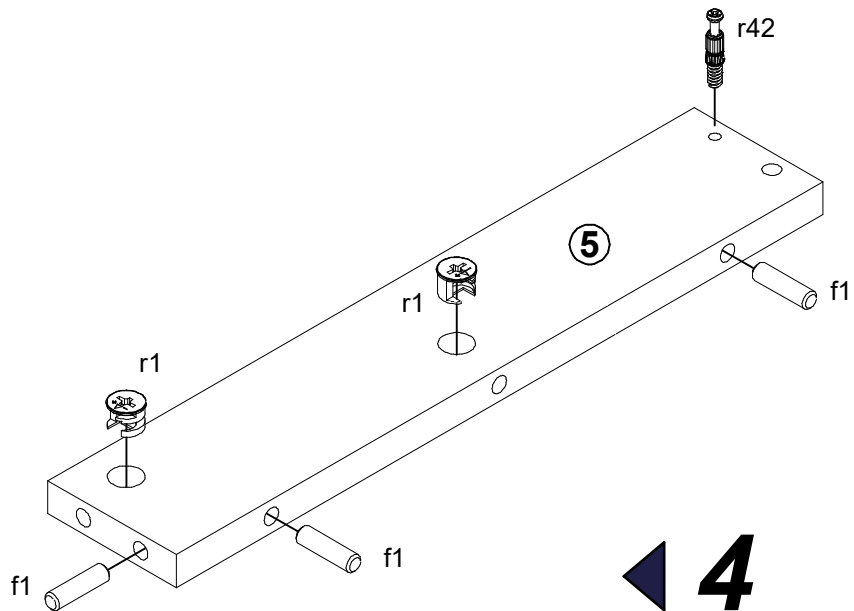
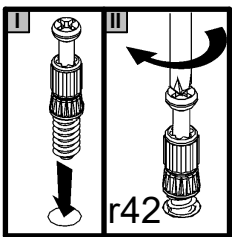
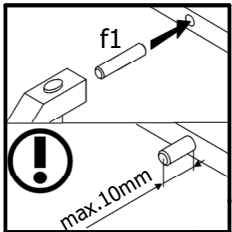
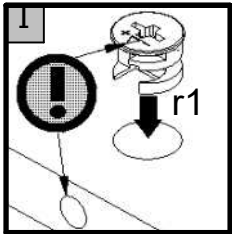
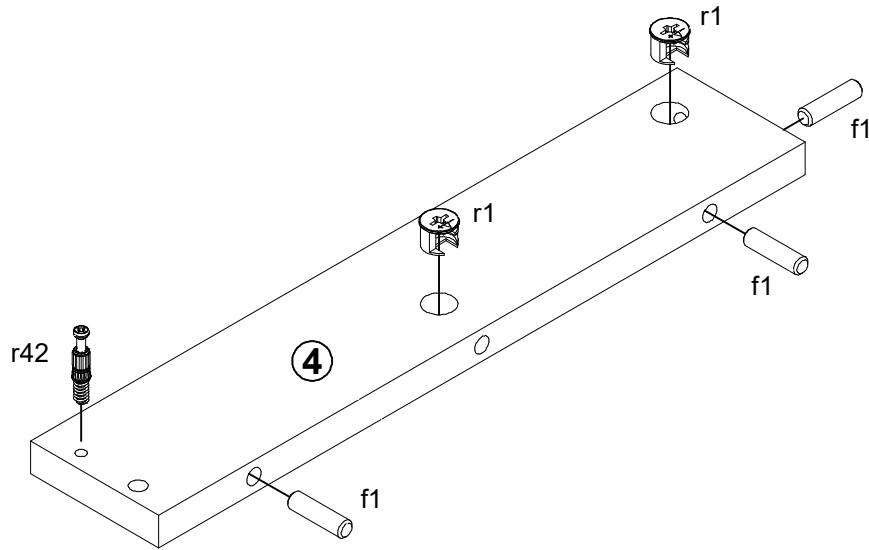
12

◀ 2



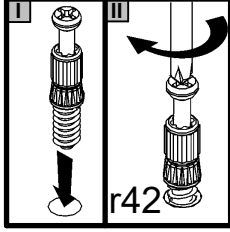
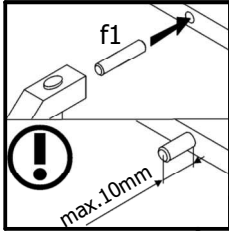
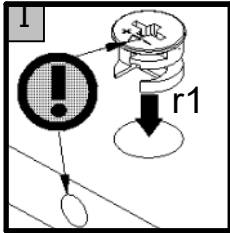
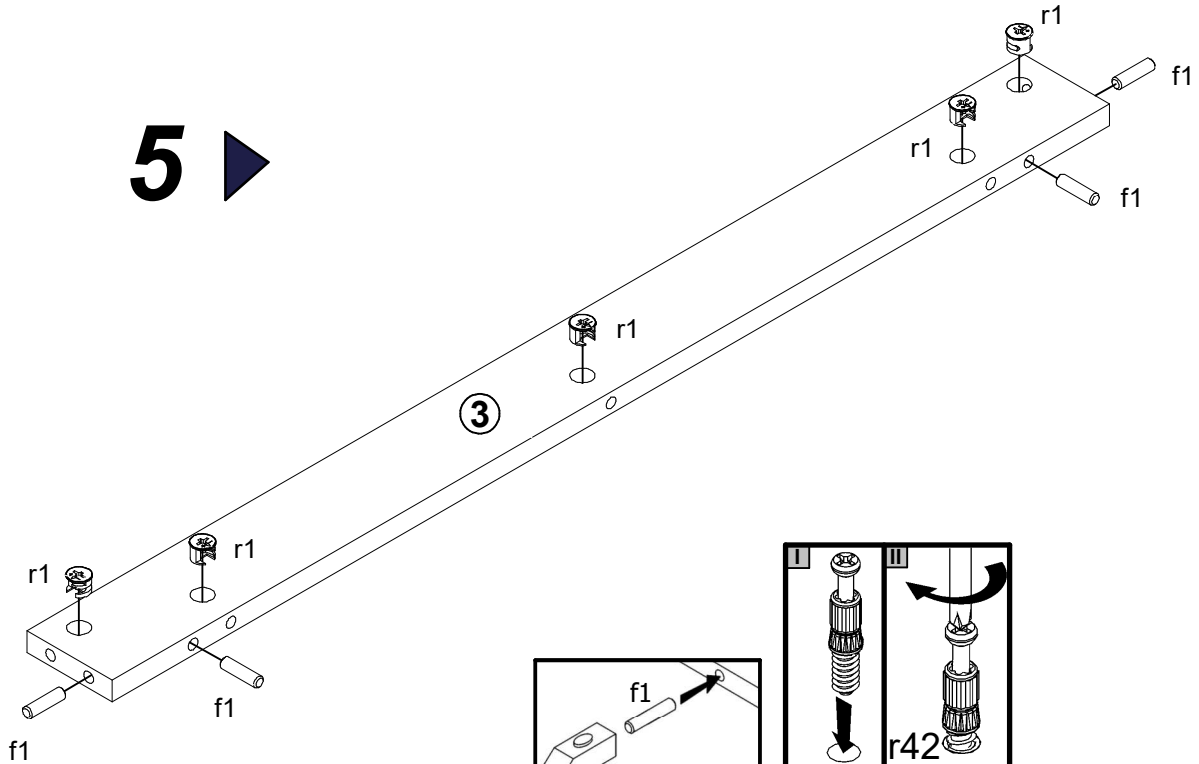


3 ▶

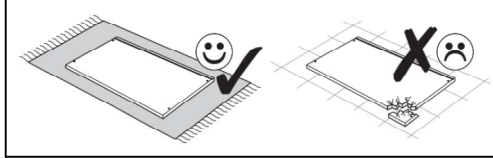
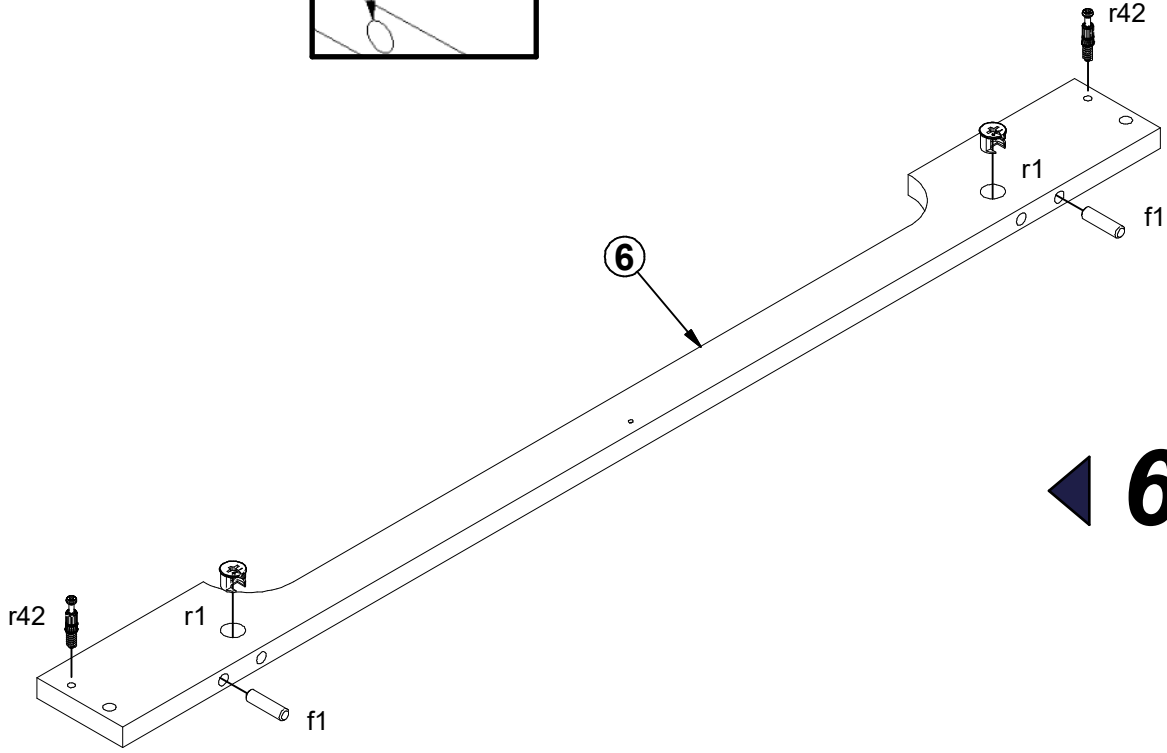


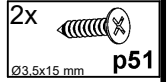
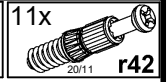
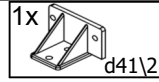
6x Ø8x30 mm f1	7x Ø15x12 mm #16 r1	2x 20x11 r42
----------------------	---------------------------	--------------------

5 ▶

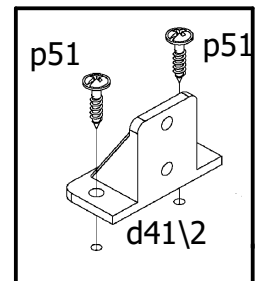
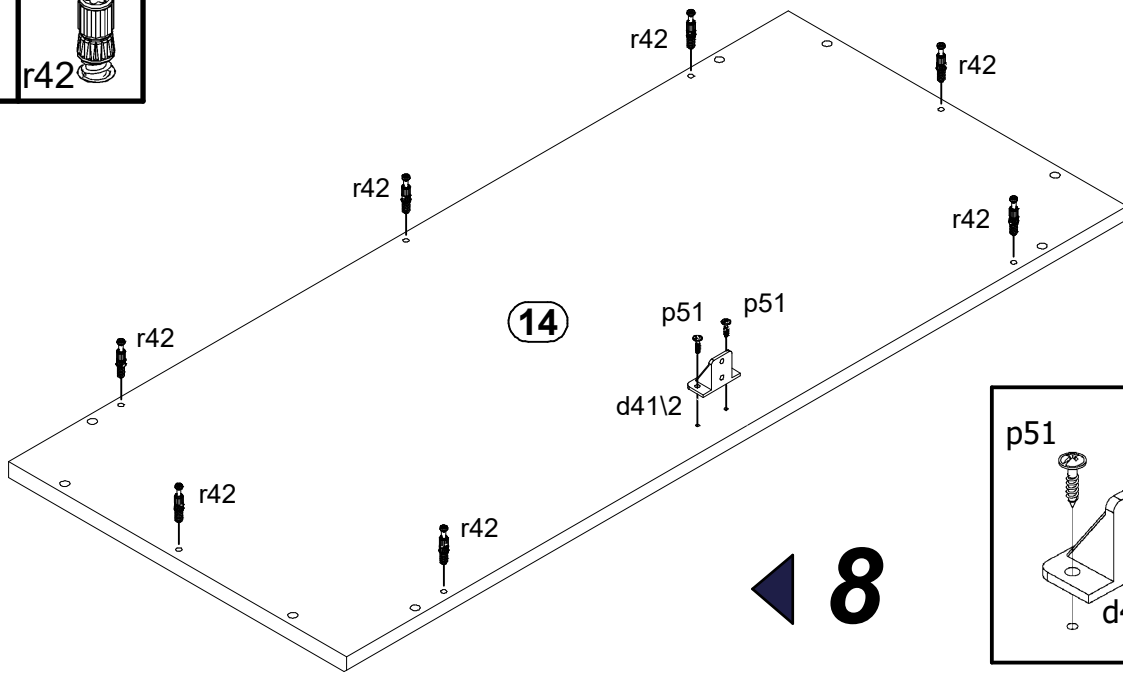
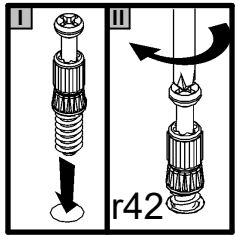
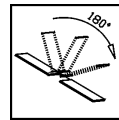
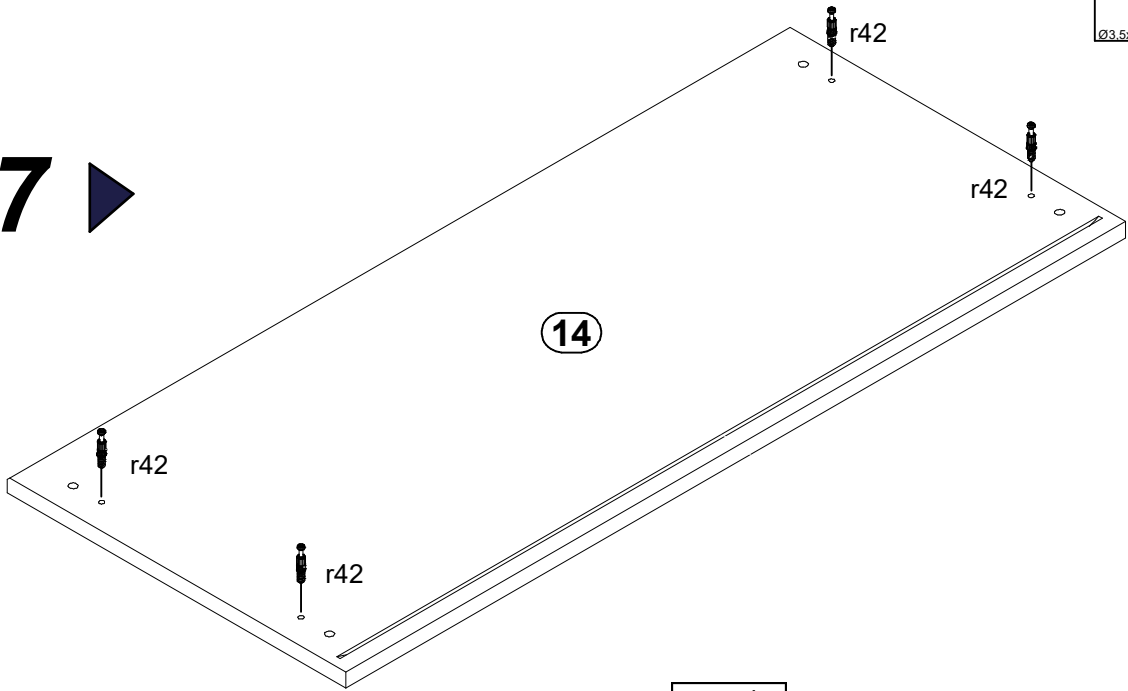


◀ 6

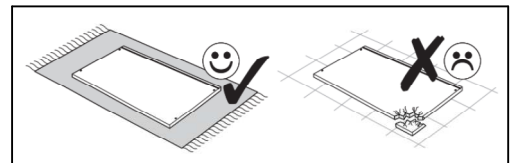




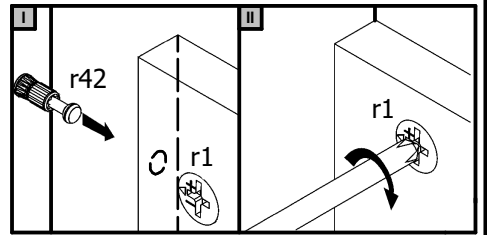
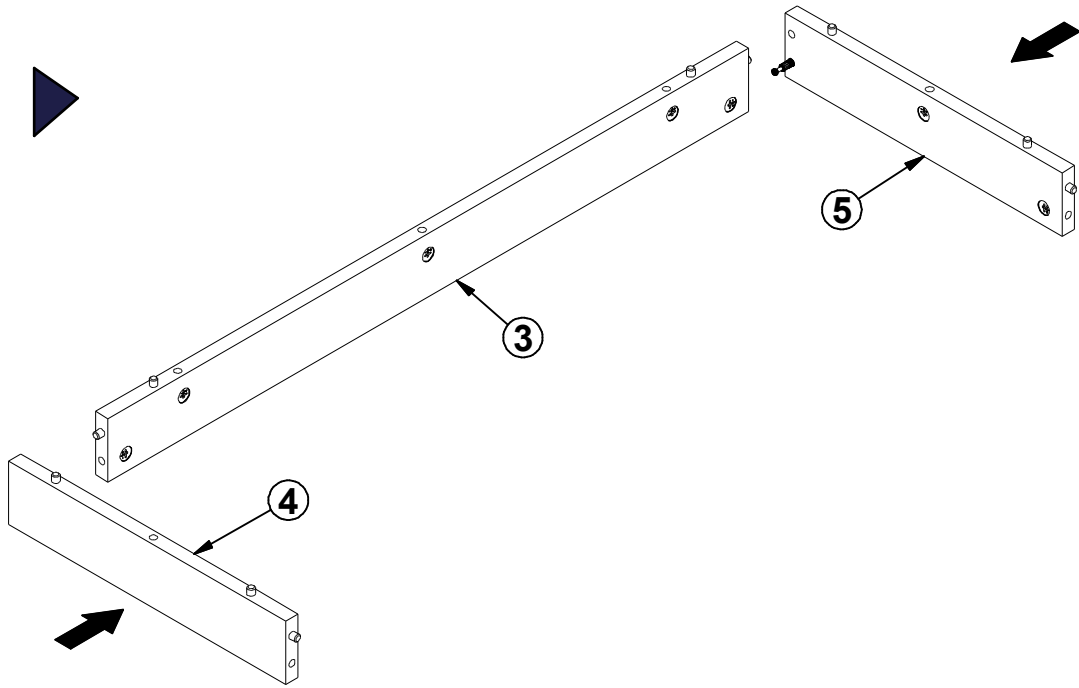
7 ▶



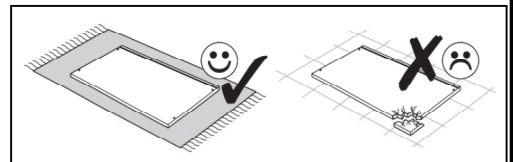
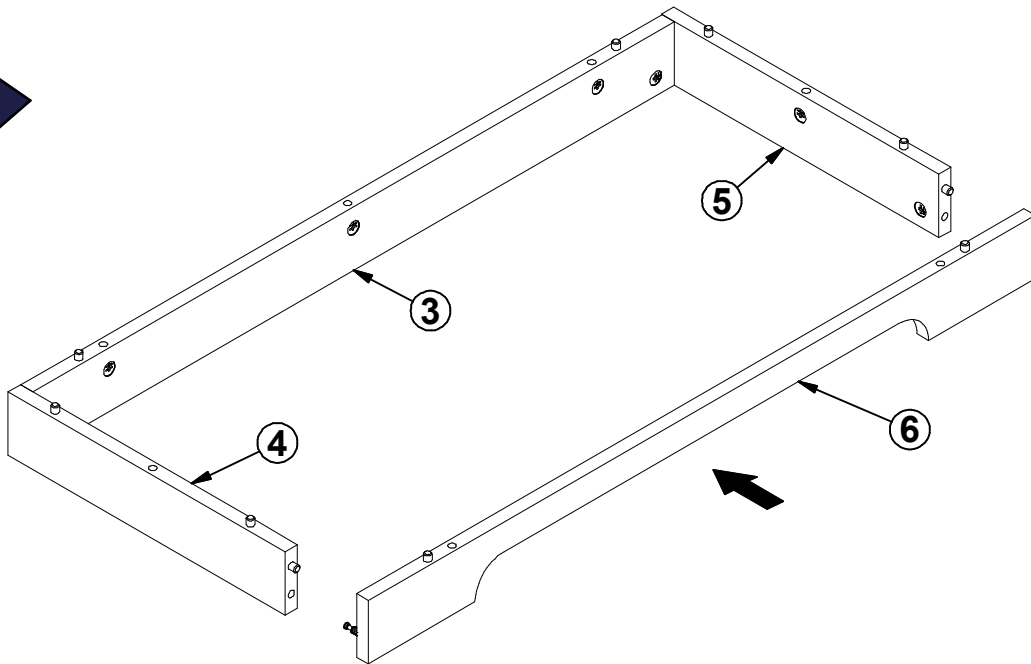
▶ 8



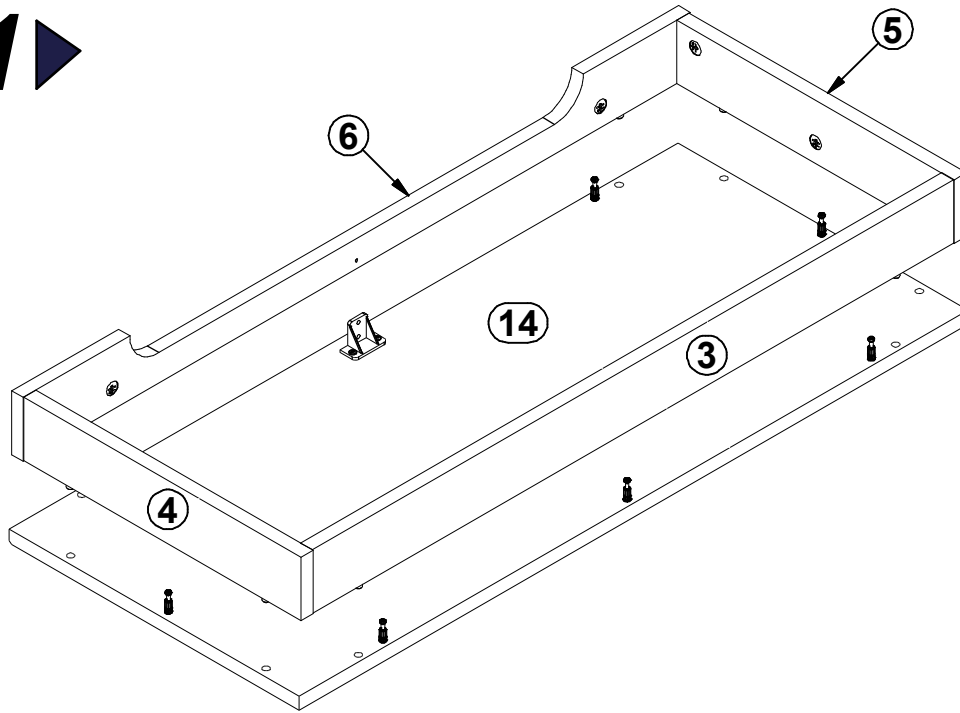
9 ▶





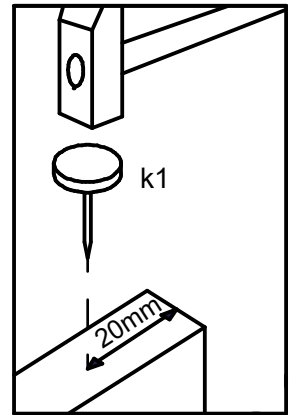
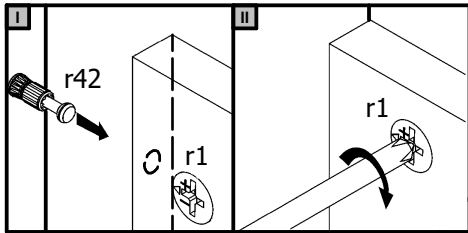
10 ▶



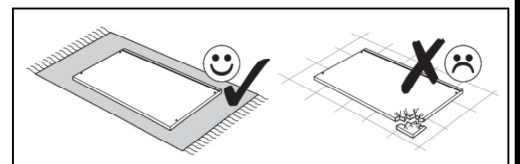
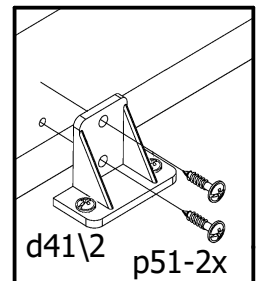
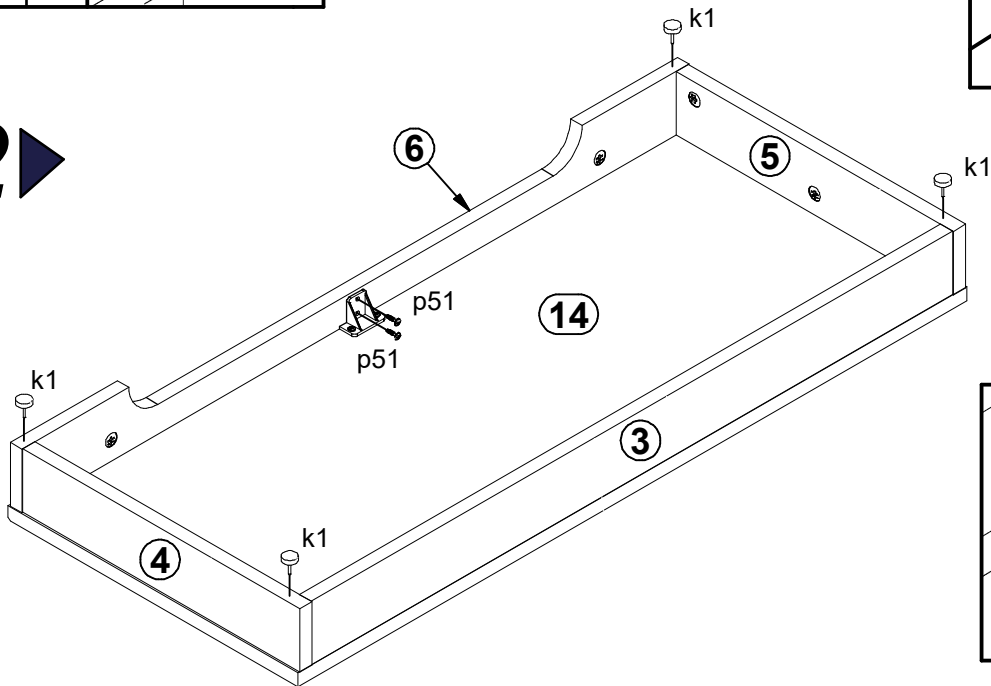
11 ▶

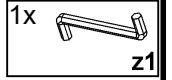
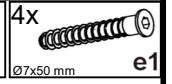
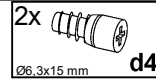


- 2x  p51  
ø3.5x15 mm
- 4x  k1

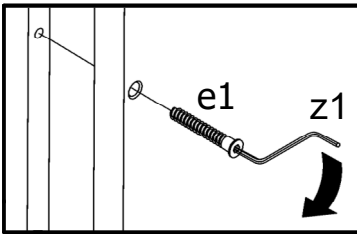
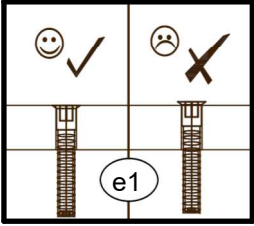
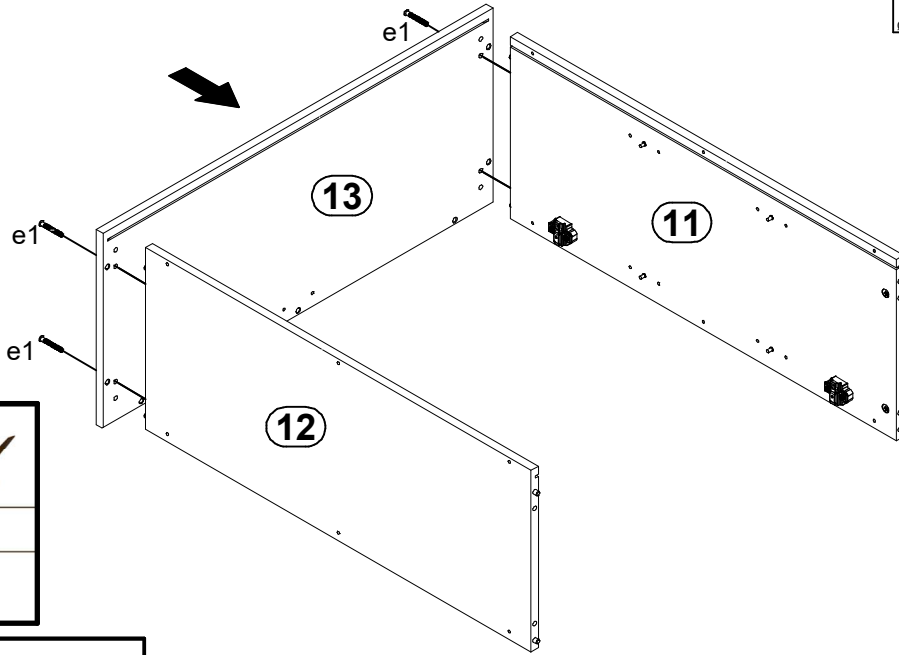


12 ▶

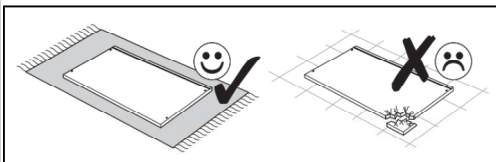
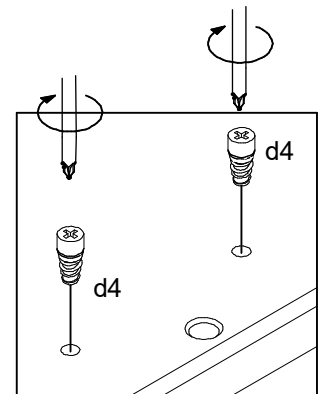
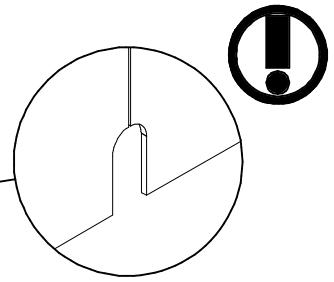
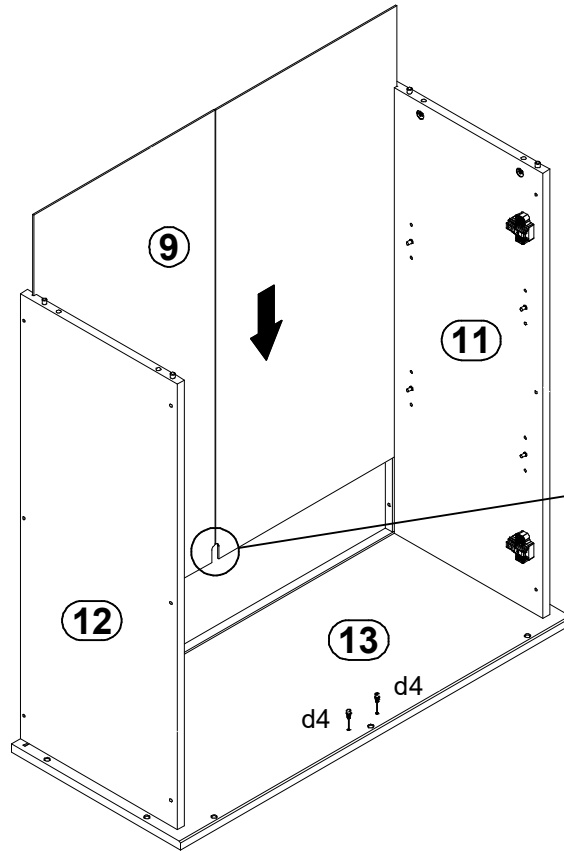





13 ▶

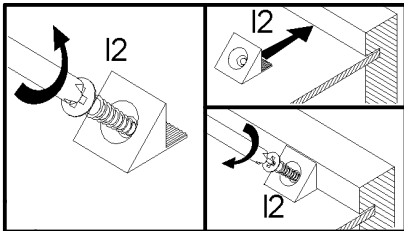
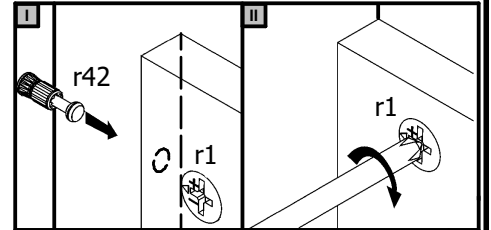
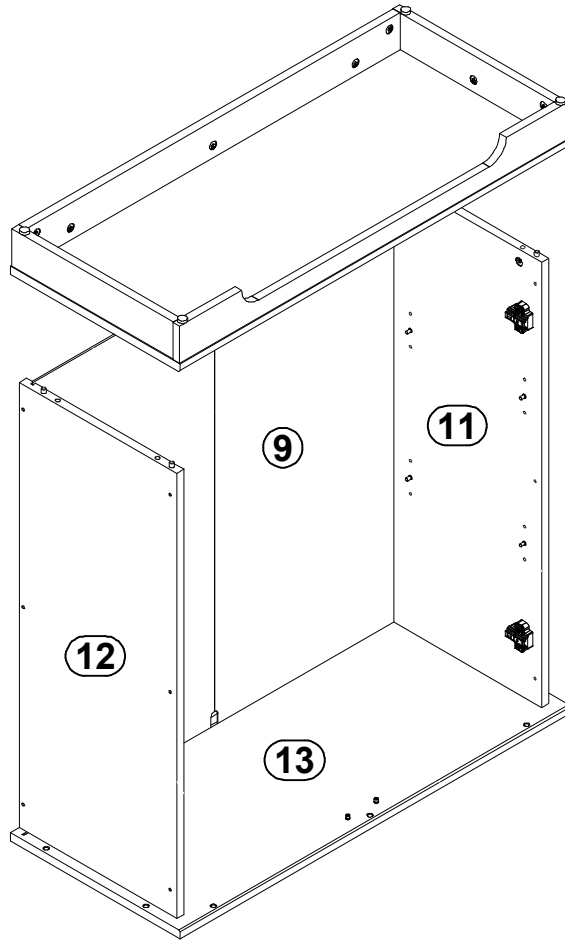


14 ▶

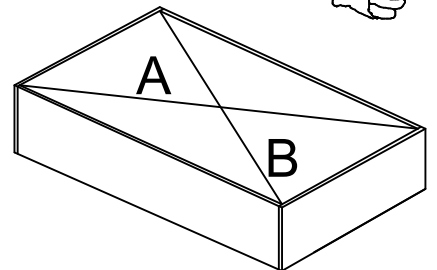


15 ▶

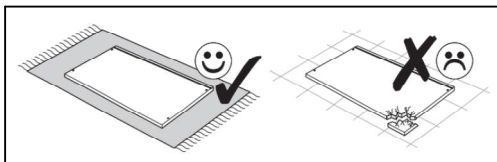
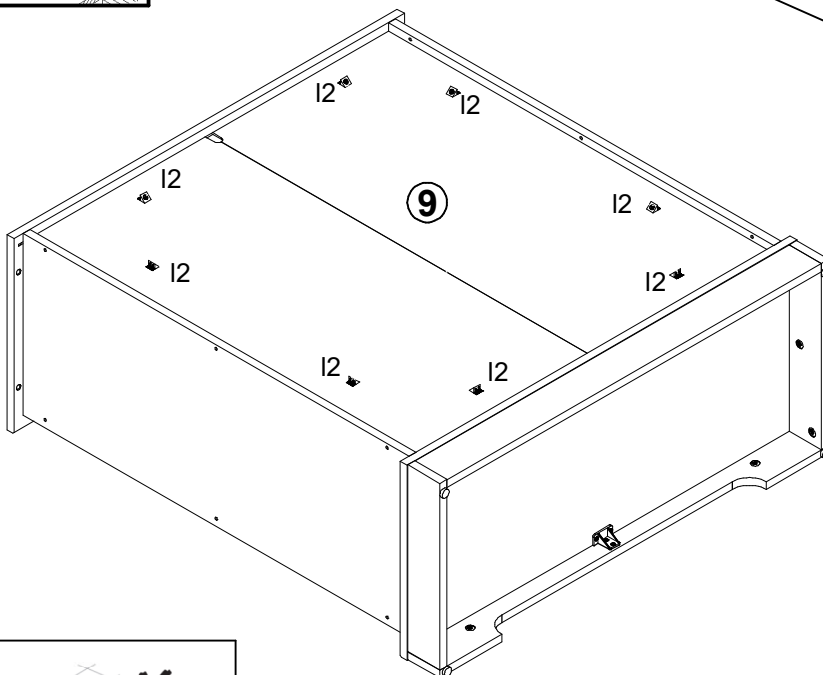
8x  I2

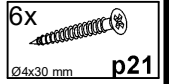
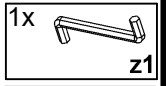
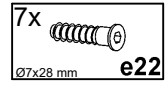


A=B

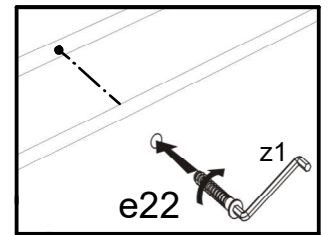
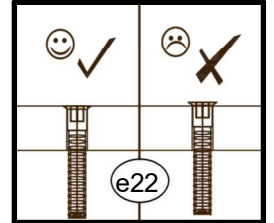
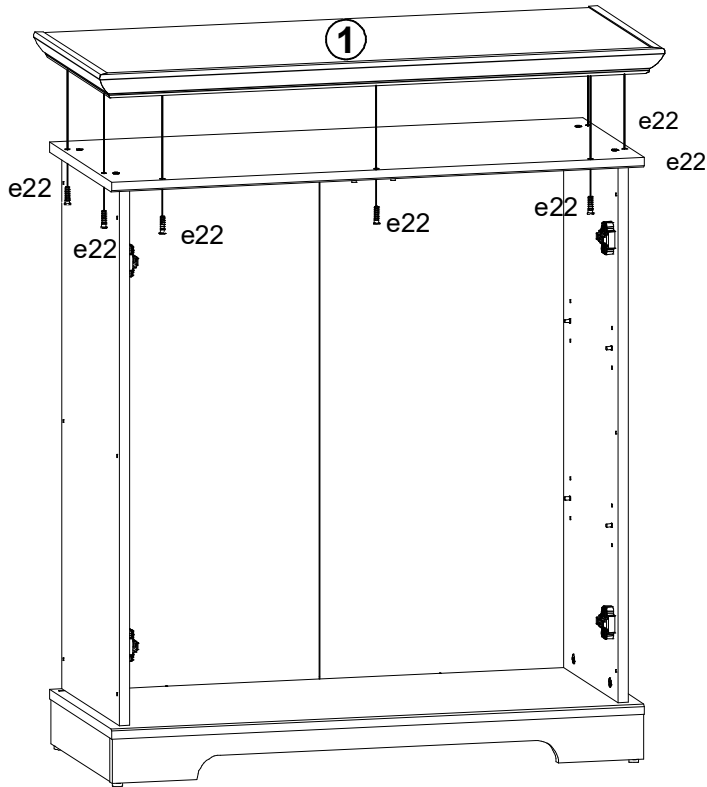


16 ▶

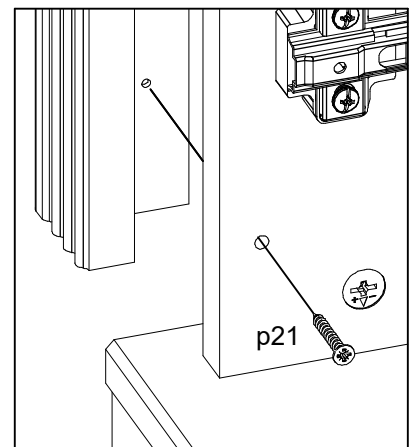
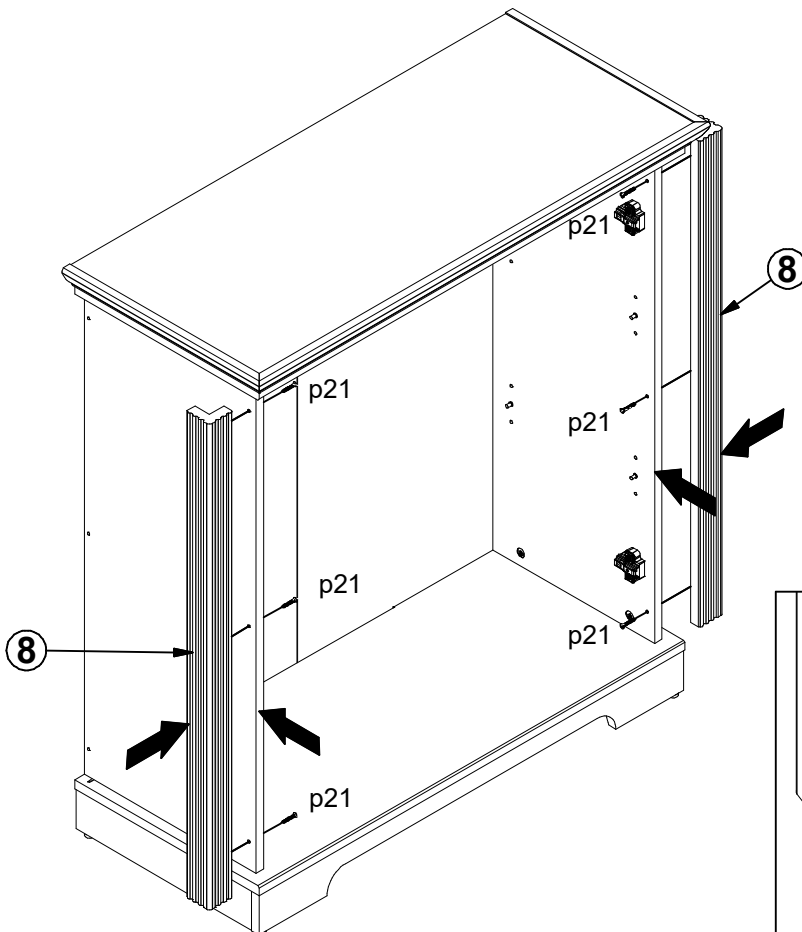


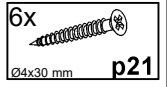


17▶

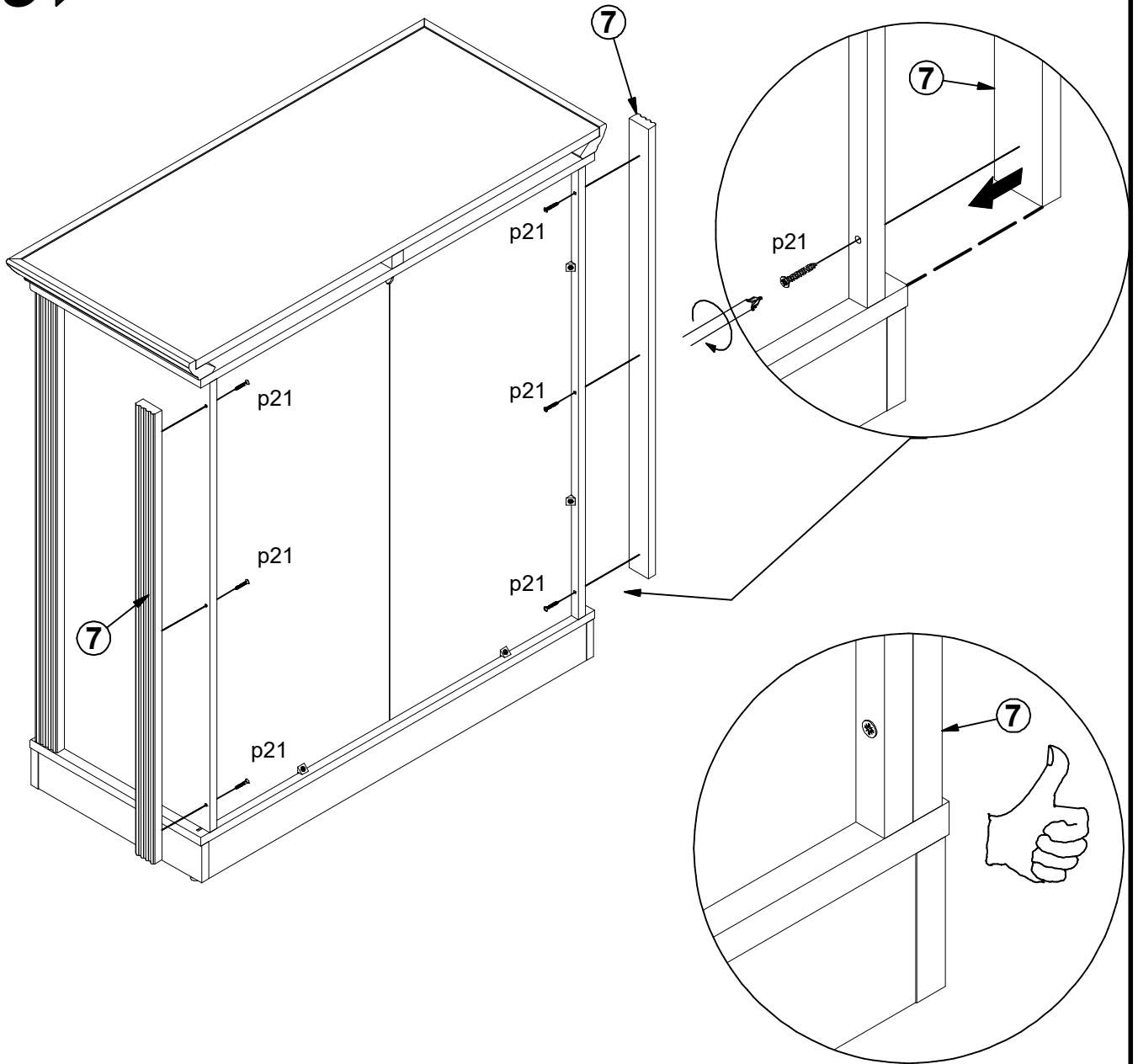


18▶



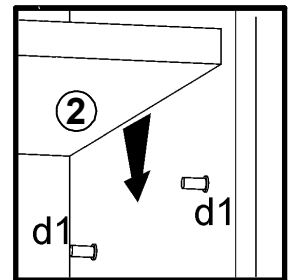
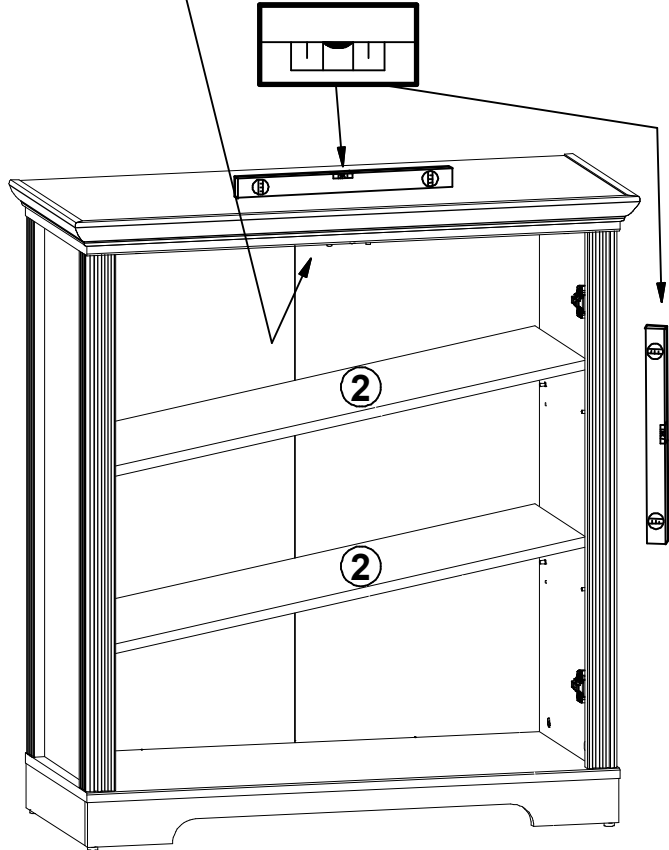
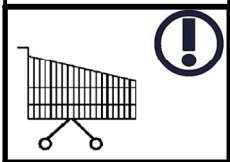
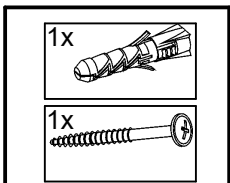
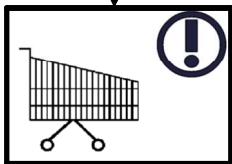
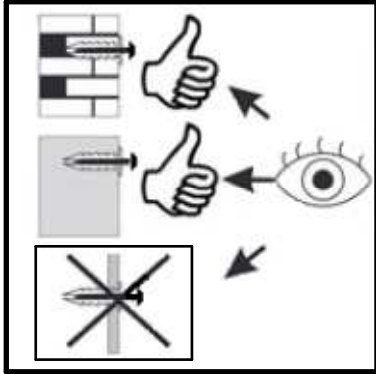
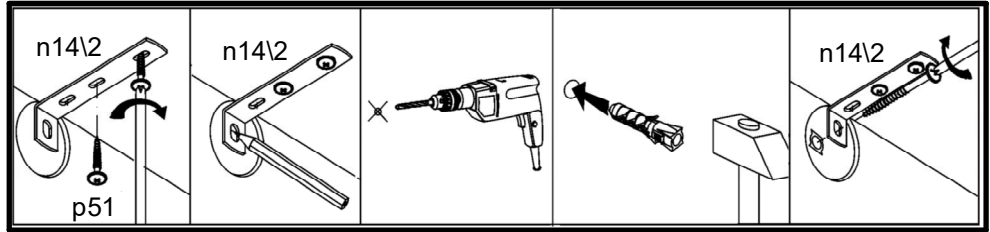


19 ▶

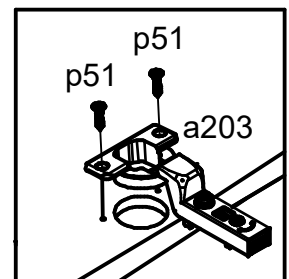
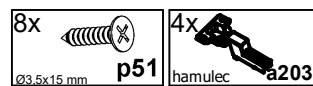
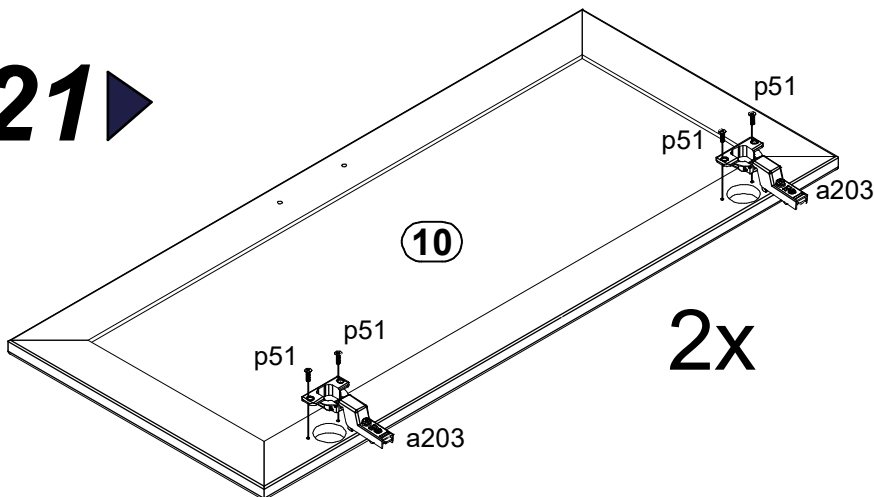




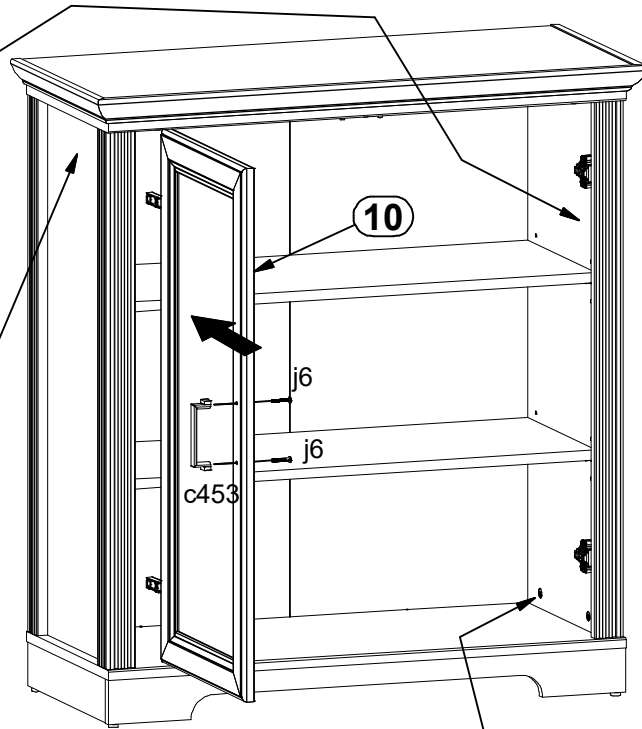
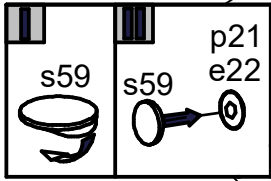
20 ▶



21 ▶



22 ▶



- 2x c453
- 4x j6  
M4x30 mm
- 4x s68  
Ø20mm
- 13x s59  
Ø14mmx0.5mm

