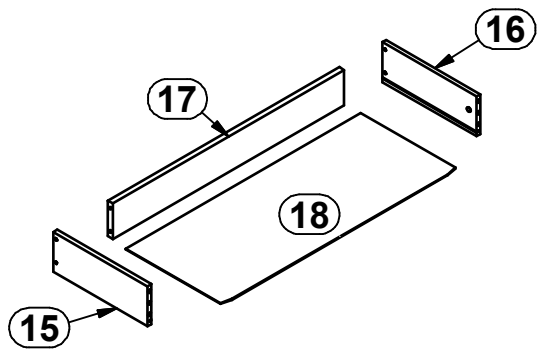
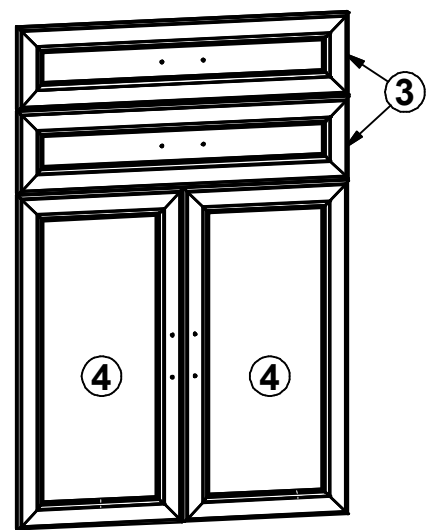
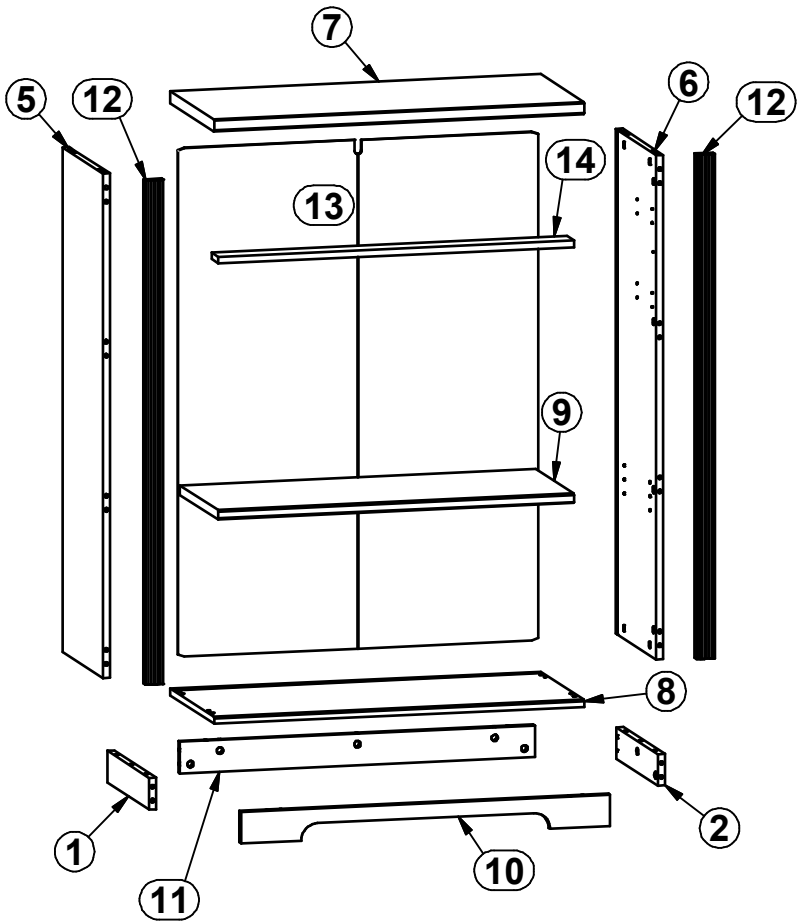
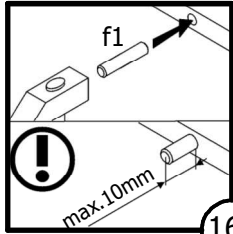


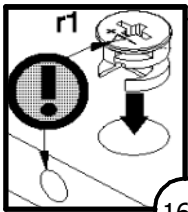
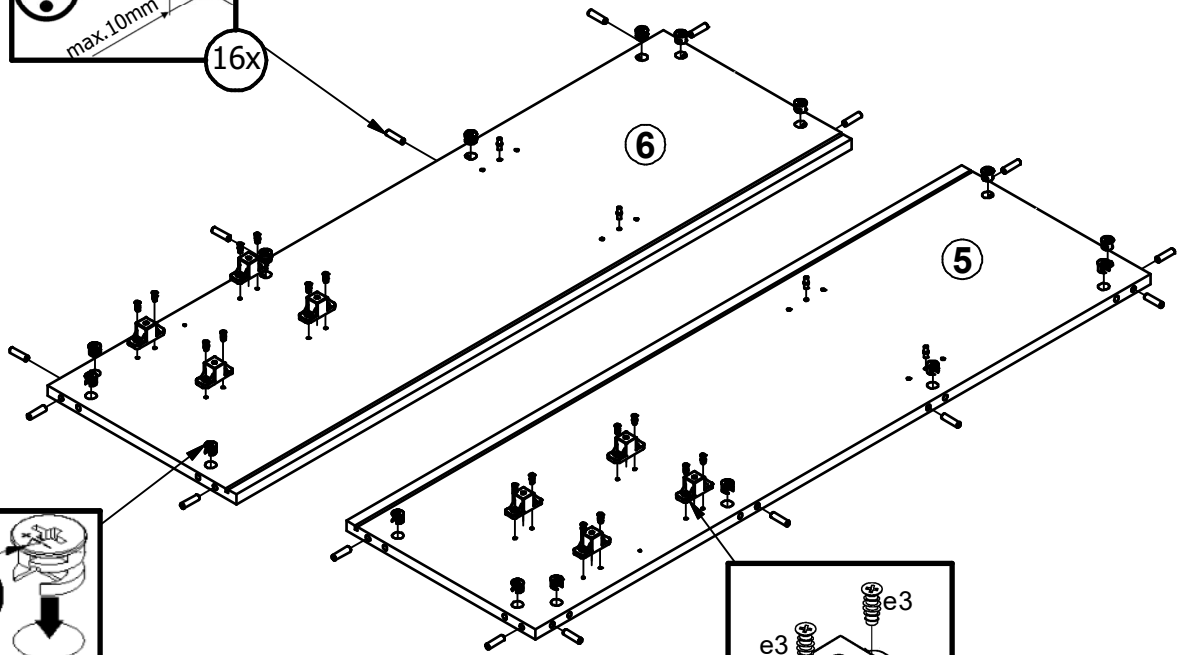
A	B1	B2	C1	C2	C3	C4	D
1	M261-4102	-2	363	72	16	1	1/2
2	M261-4103	-2	363	72	16	1	1/2
3	S530-0003	A	770	188	22	2	2/2
4	S530-0004	-6	762	383	22	2	2/2
5	S530-1012	-3	1152	353	16	1	1/2
6	S530-1013	-3	1152	353	16	1	1/2
7	S530-2001	-3	862	380	28	1	2/2
8	S530-2002	-3	862	380	16	1	2/2
9	S530-3005	-3	828	333	22	1	1/2
10	S530-4101	A	860	72	15	1	1/2
11	S530-4102	-4	826	72	16	1	1/2
12	S530-5003	-5	1152	43	19	2	1/2
13	S530-9302	-4	1162	839	2,5	1	1/2
14	S530-4008	-	828	60	16	1	1/2
15	WSQ2-5003	-10	300	110	12	2	1/2
16	WSQ2-5004	-9	300	110	12	2	1/2
17	STQ-5109	-	737	97	15	2	1/2
18	WDF-9133	-	747	308	2,5	2	1/2



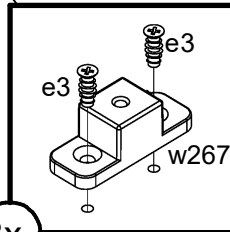


16x

1

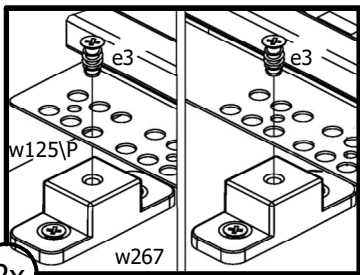


16x

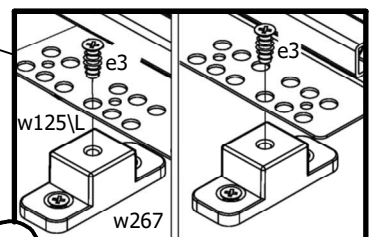
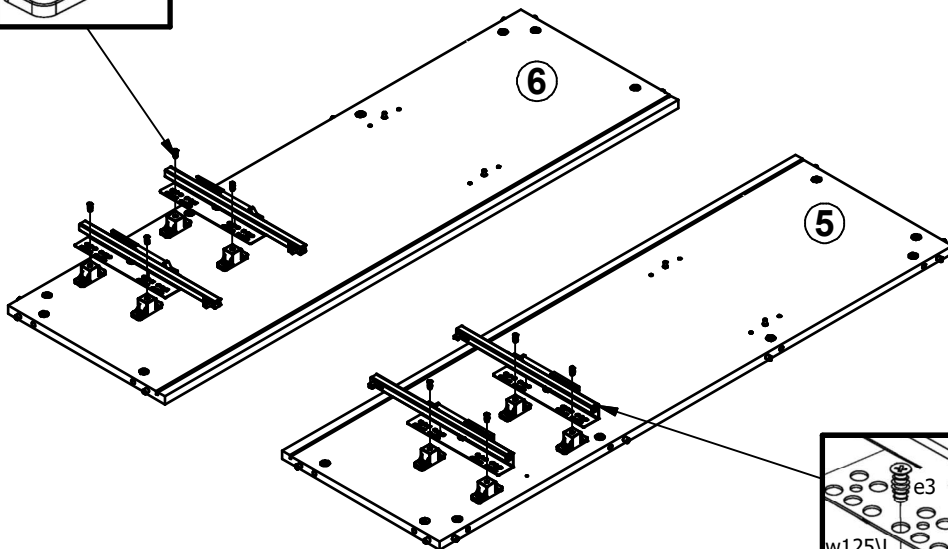


8x

2

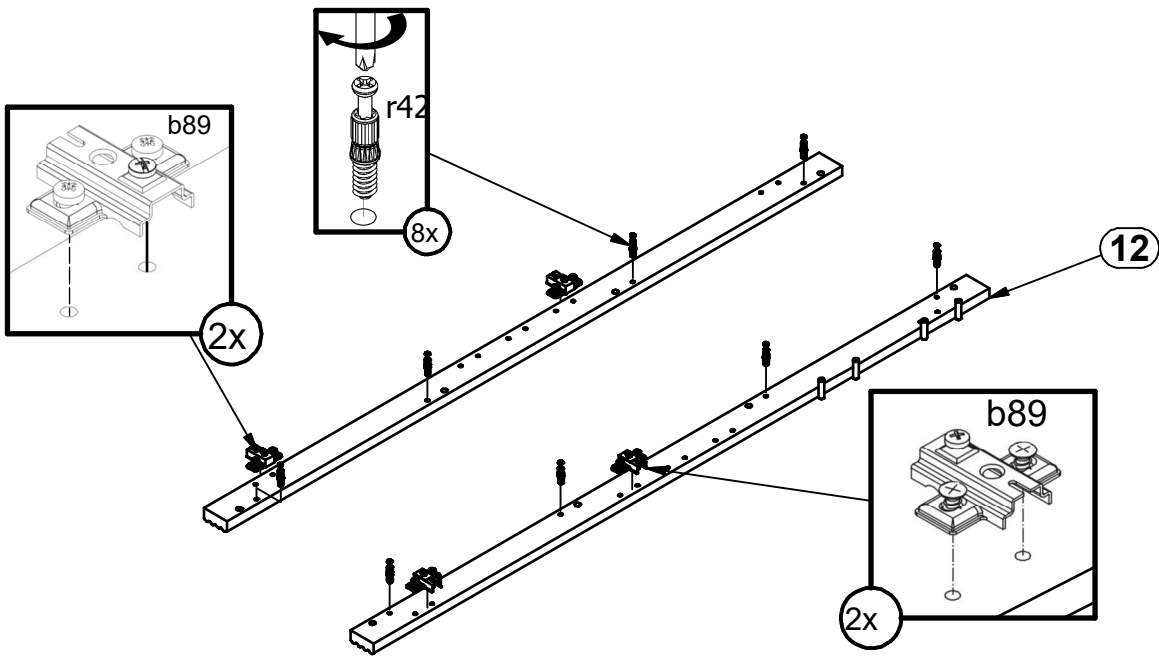


2x

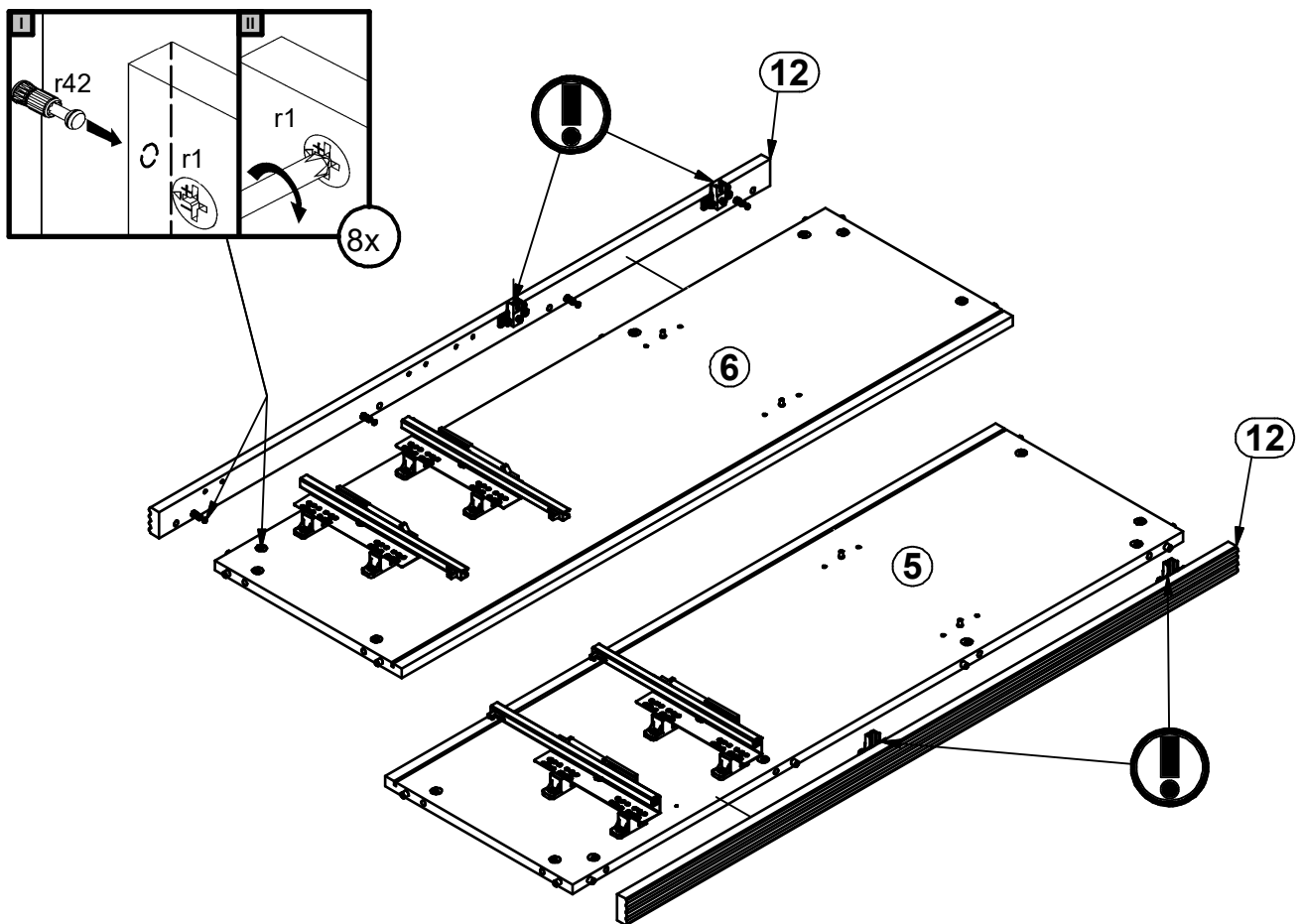


2x

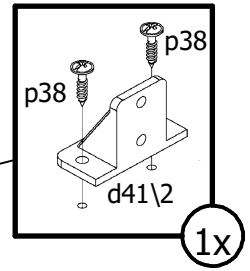
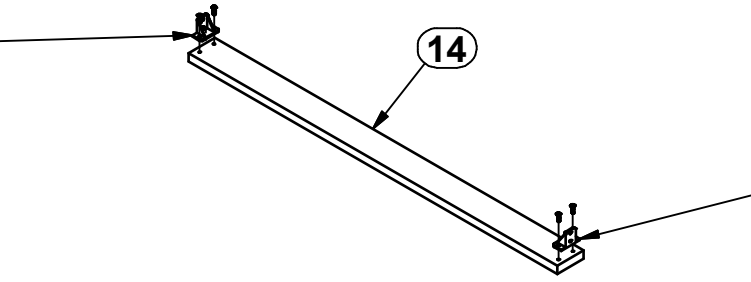
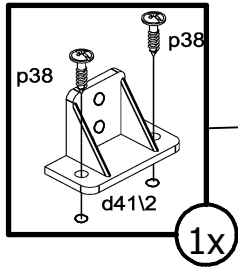
3



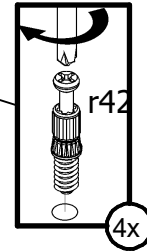
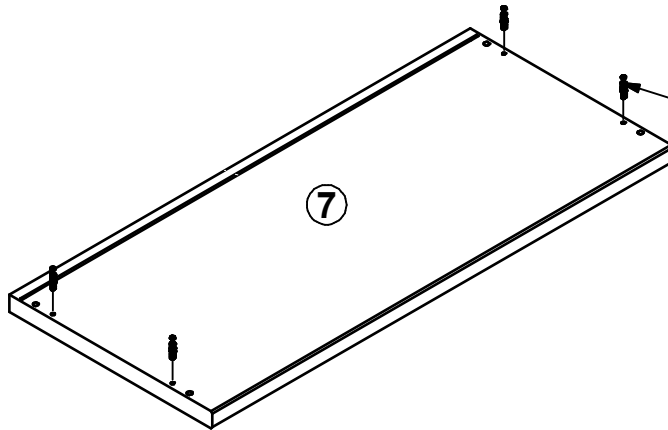
4



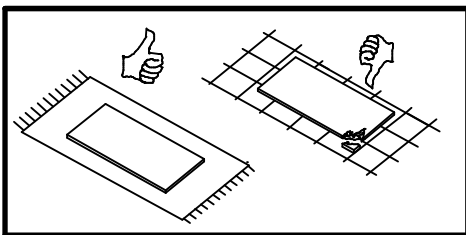
5



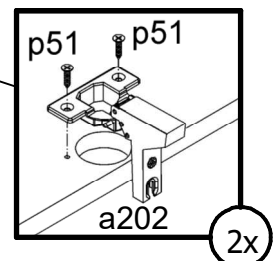
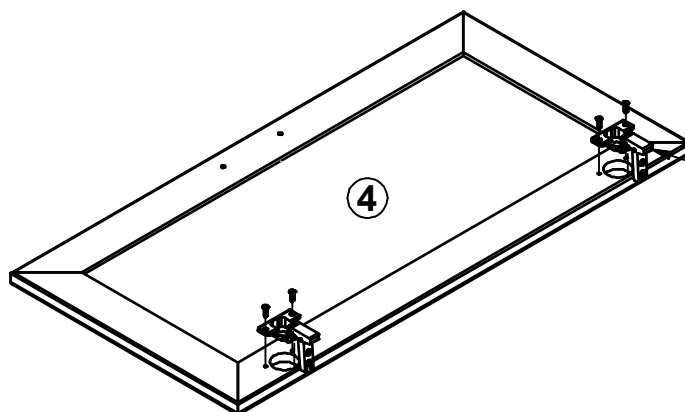
6



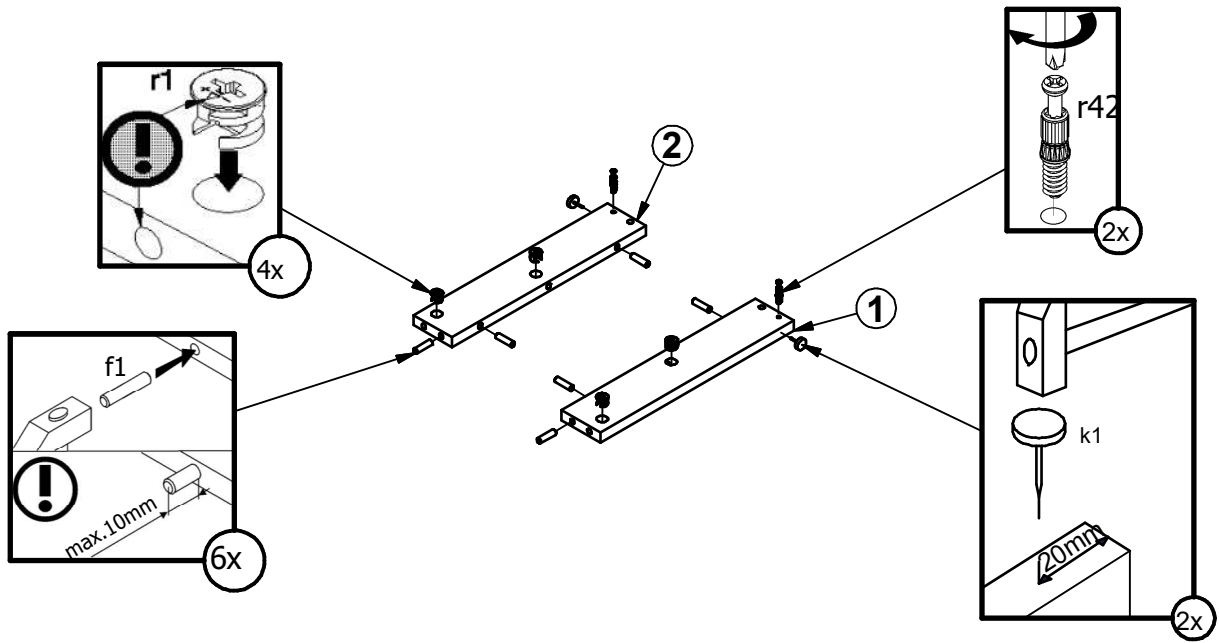
7



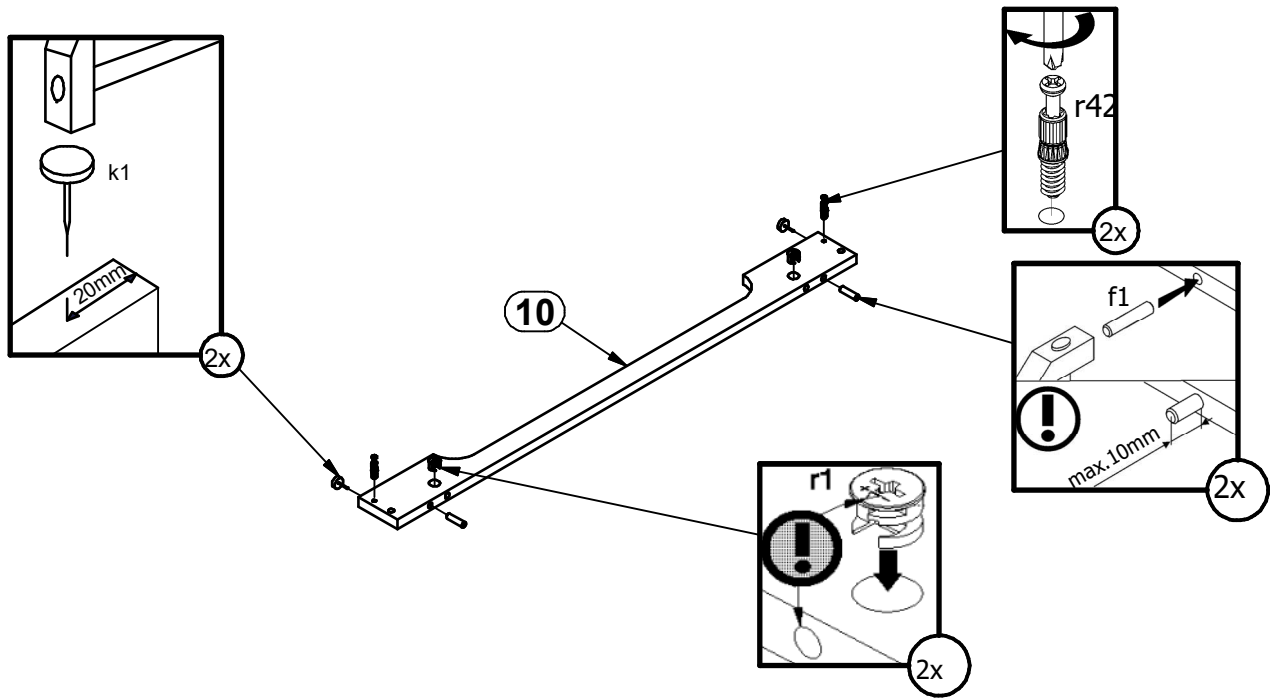
2x



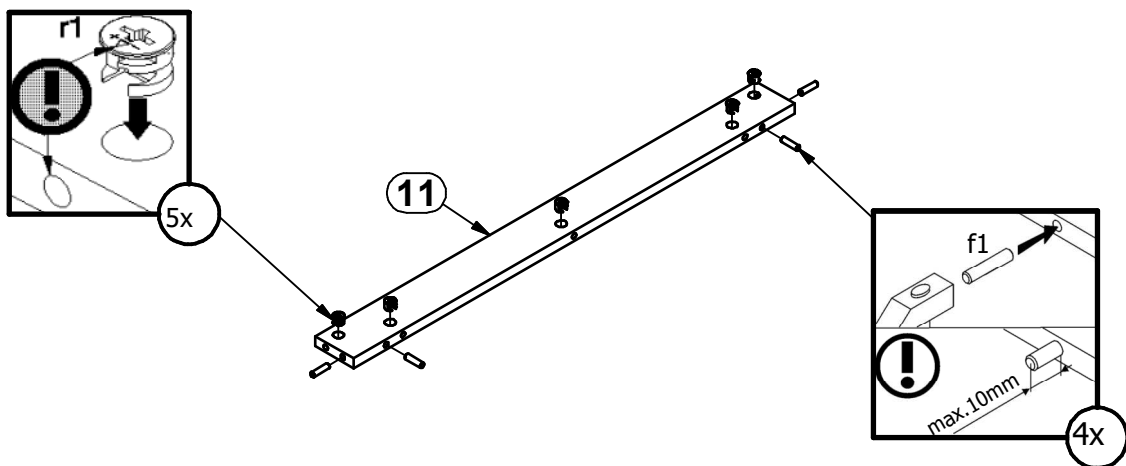
8



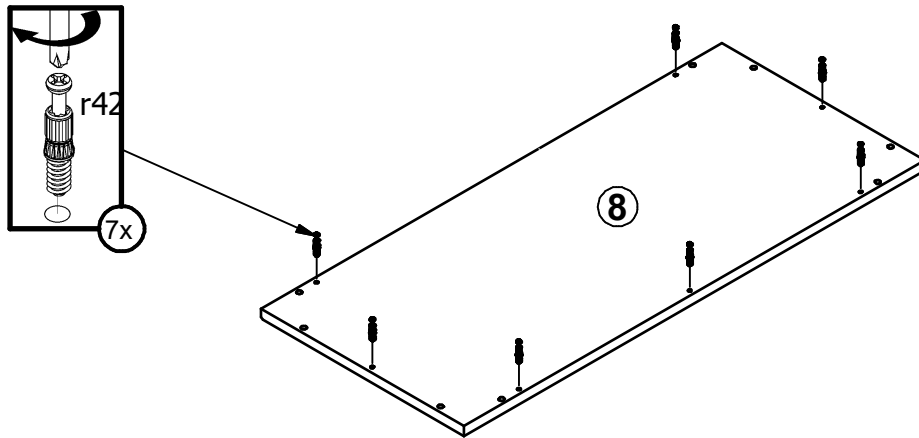
9



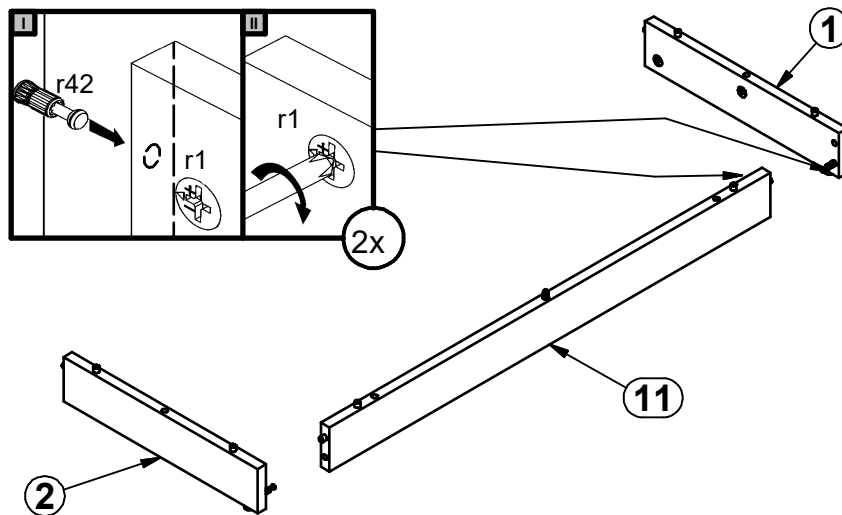
10



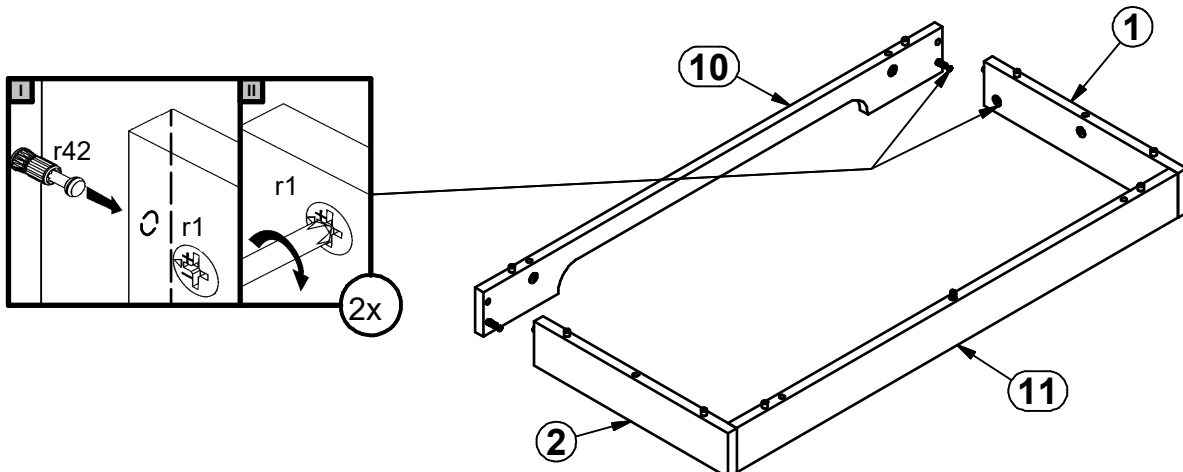
11



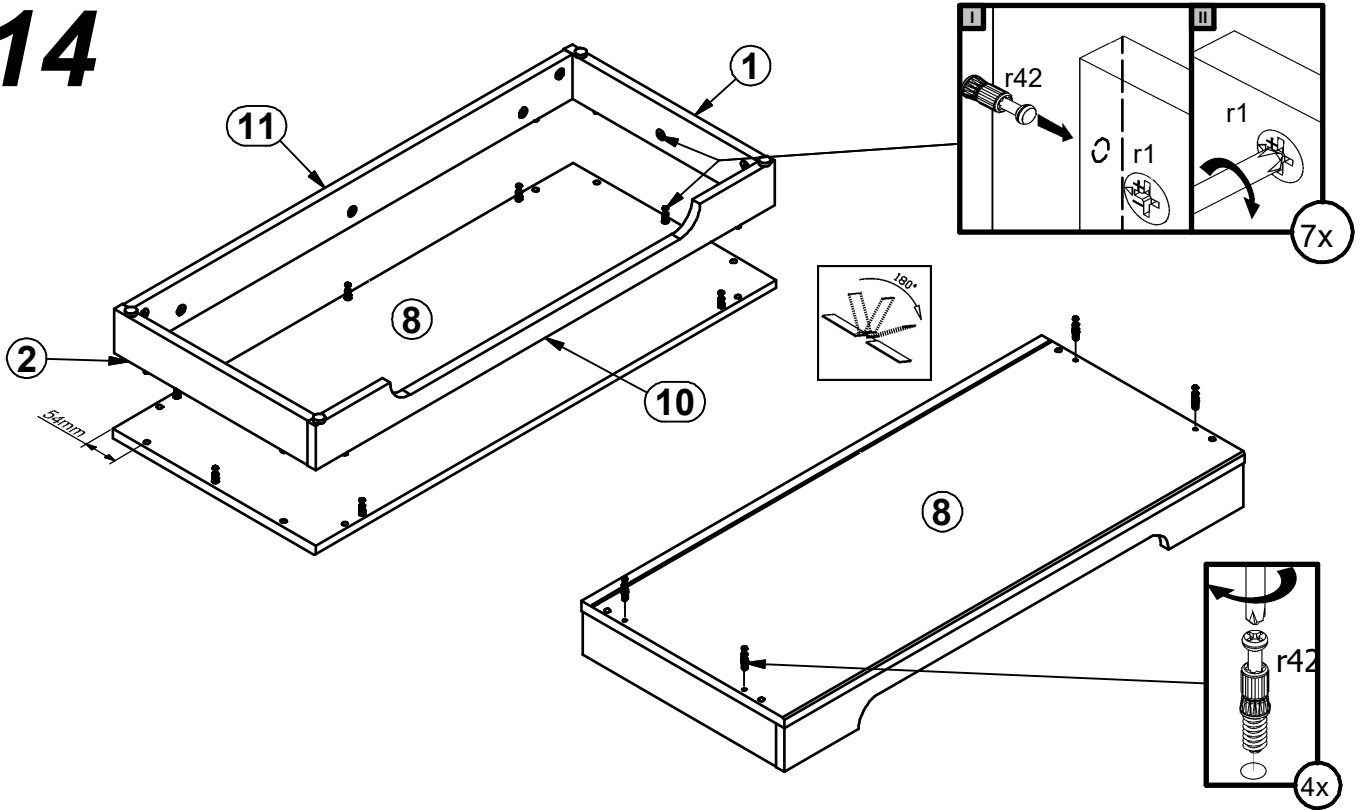
12



13



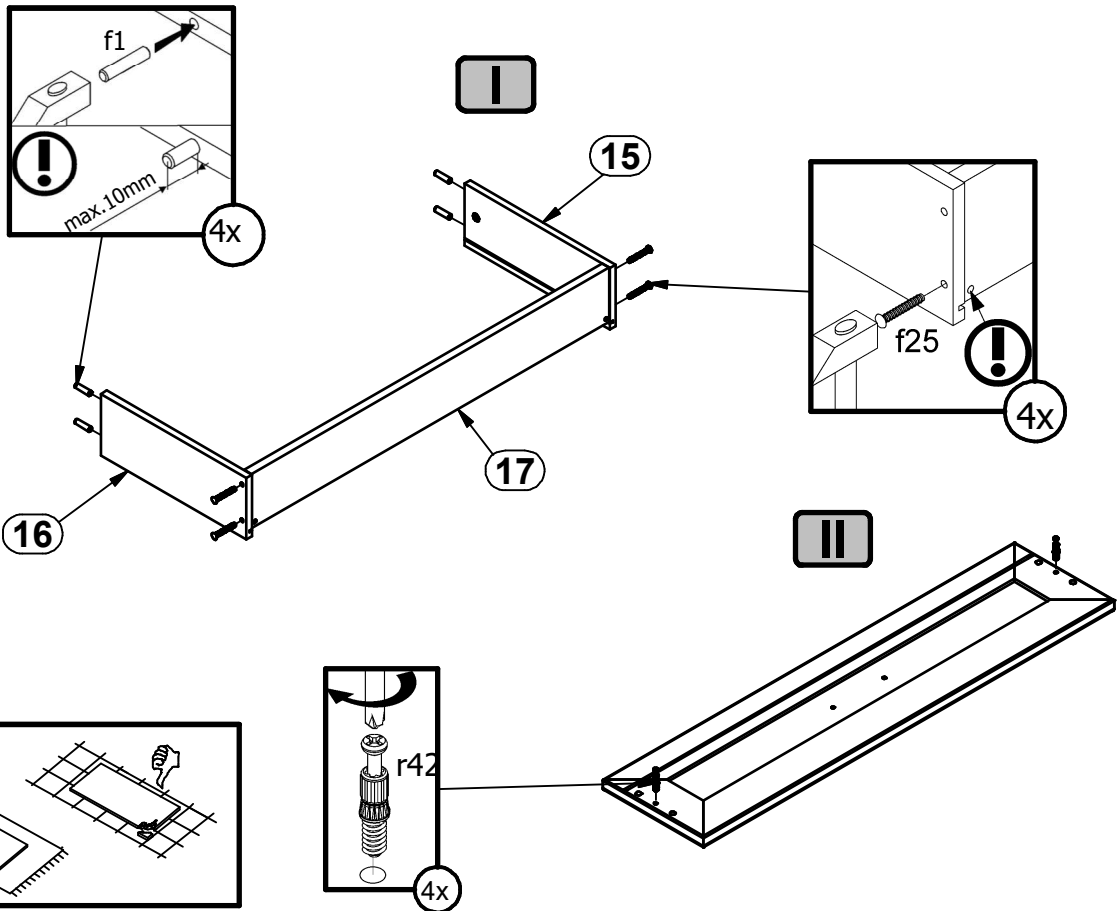
14

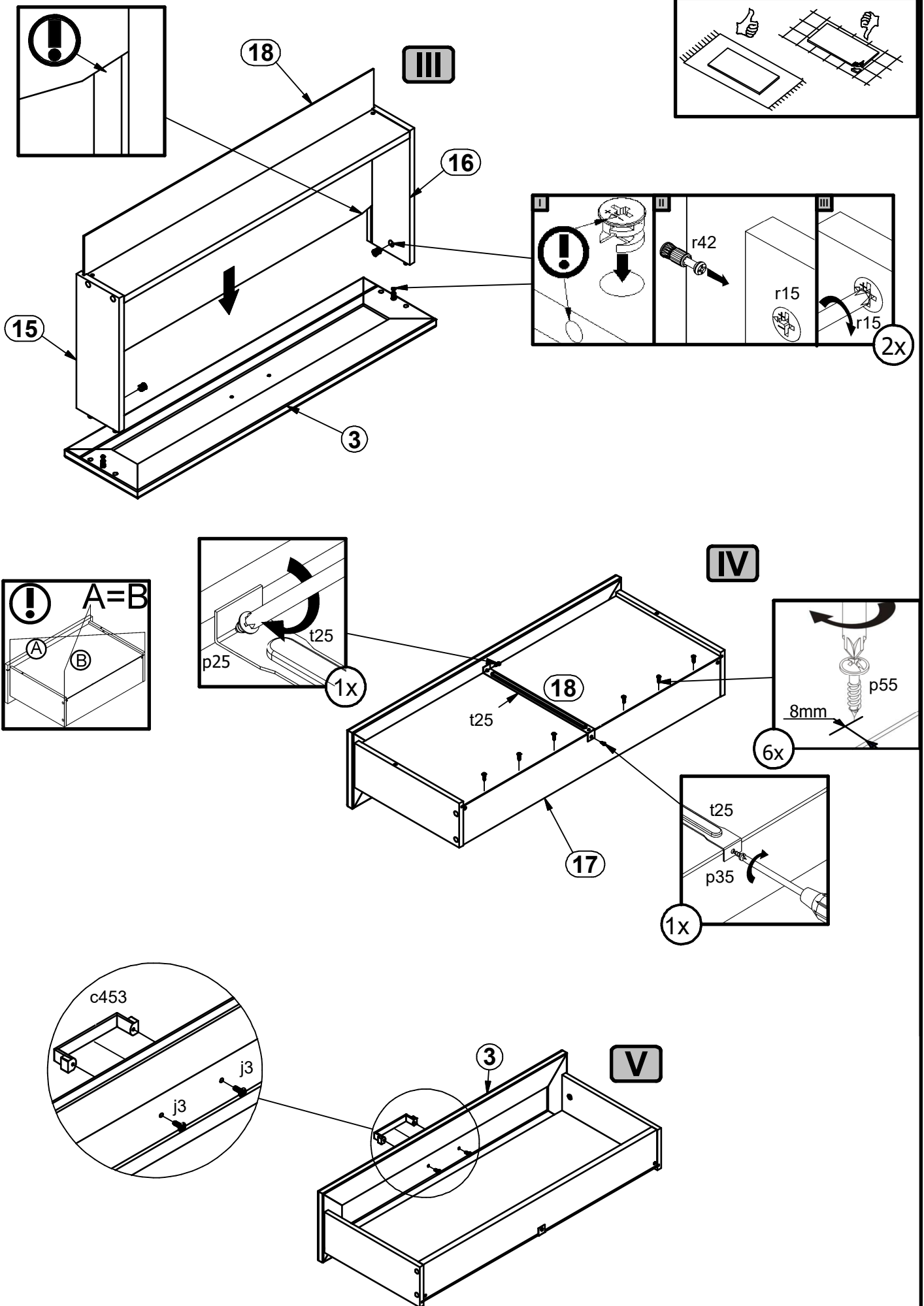


15

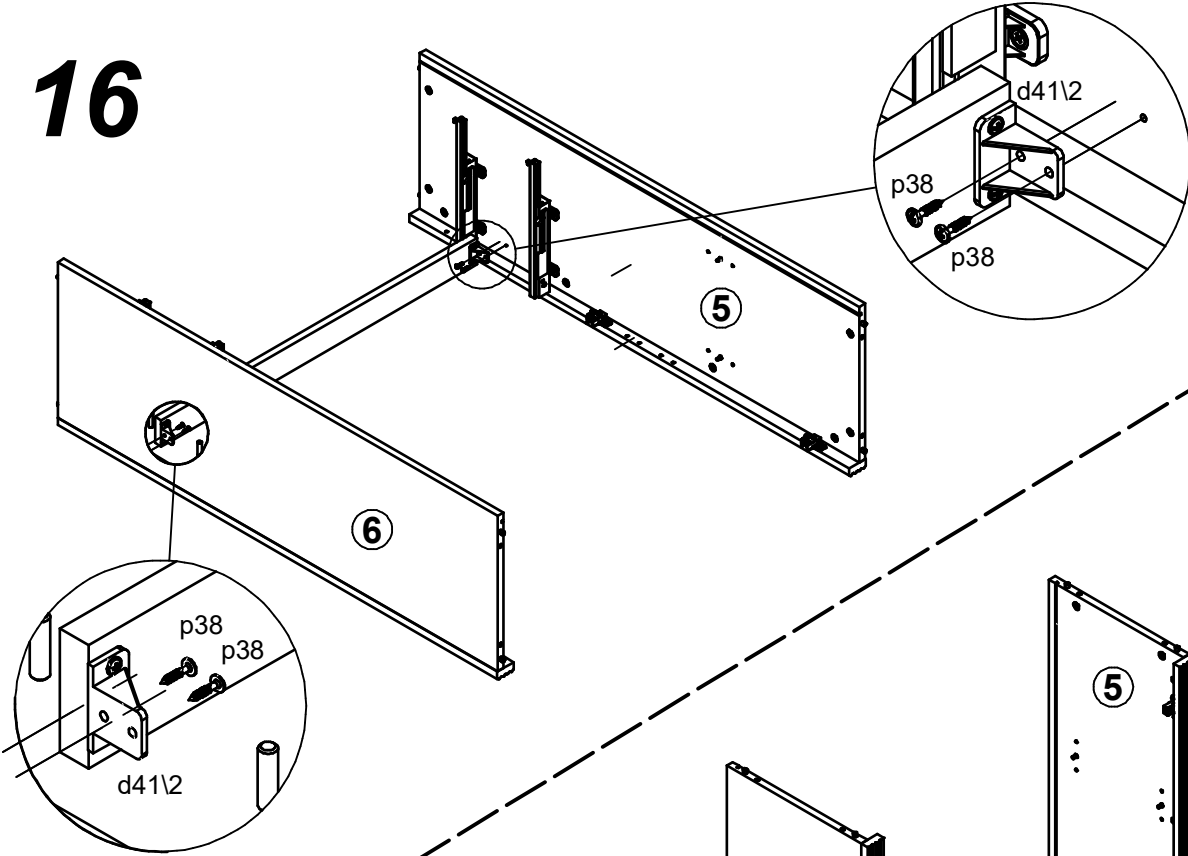


2x

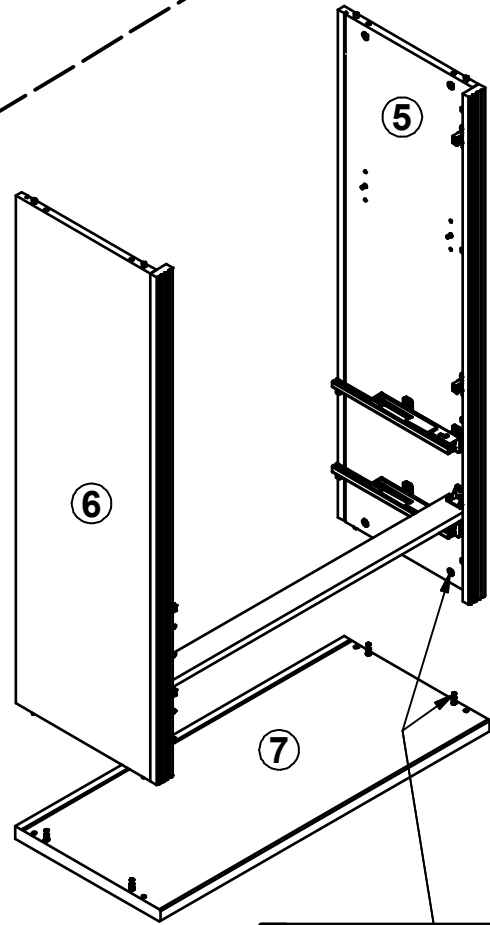




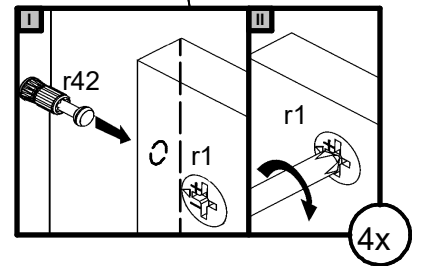
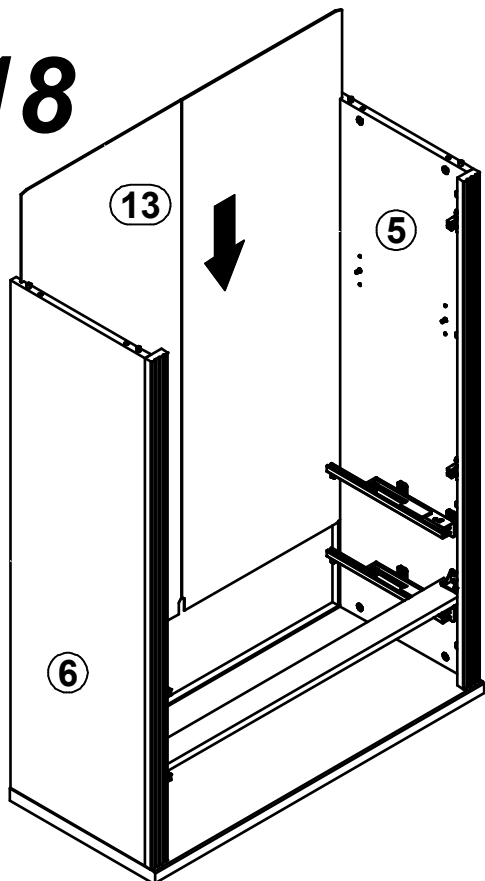
16



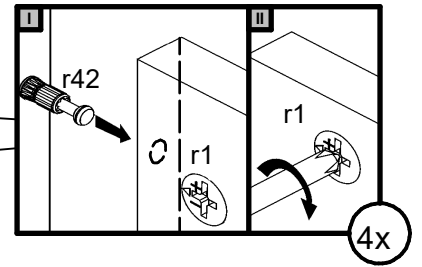
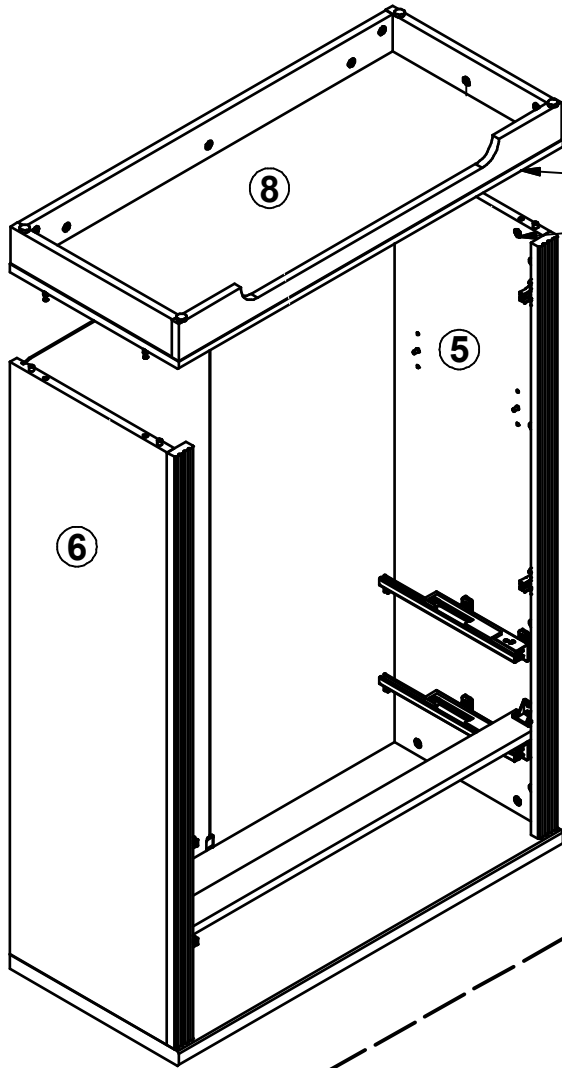
17



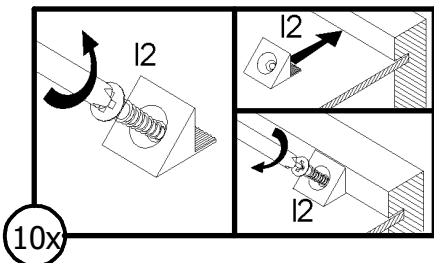
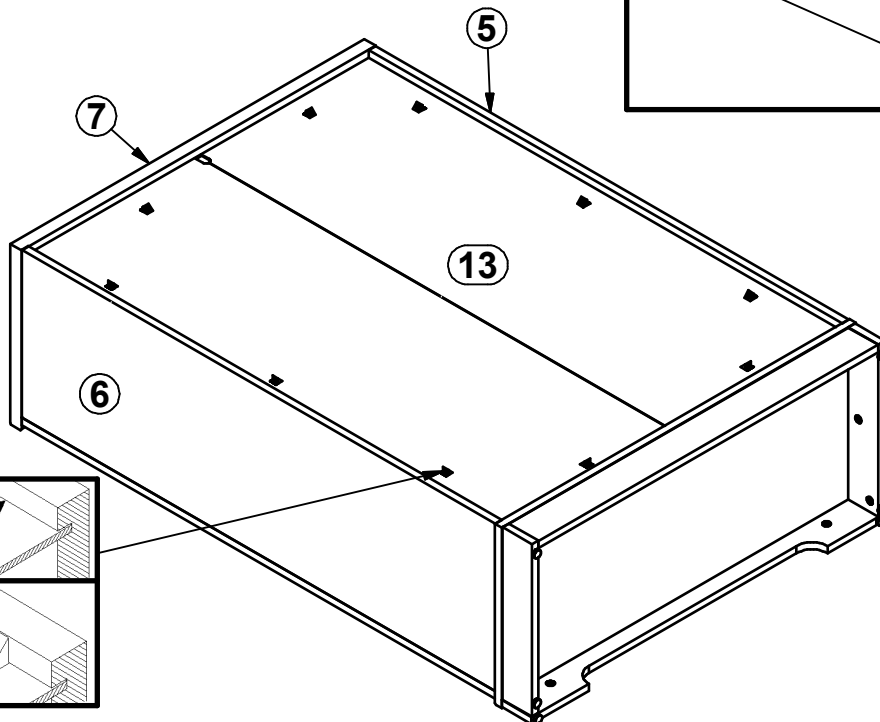
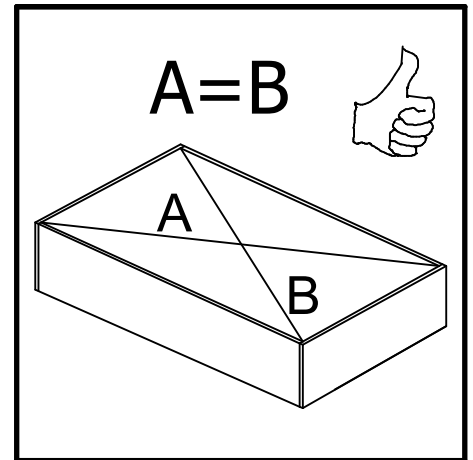
18



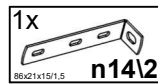
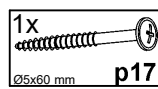
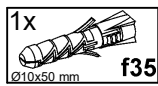
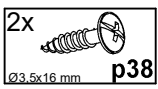
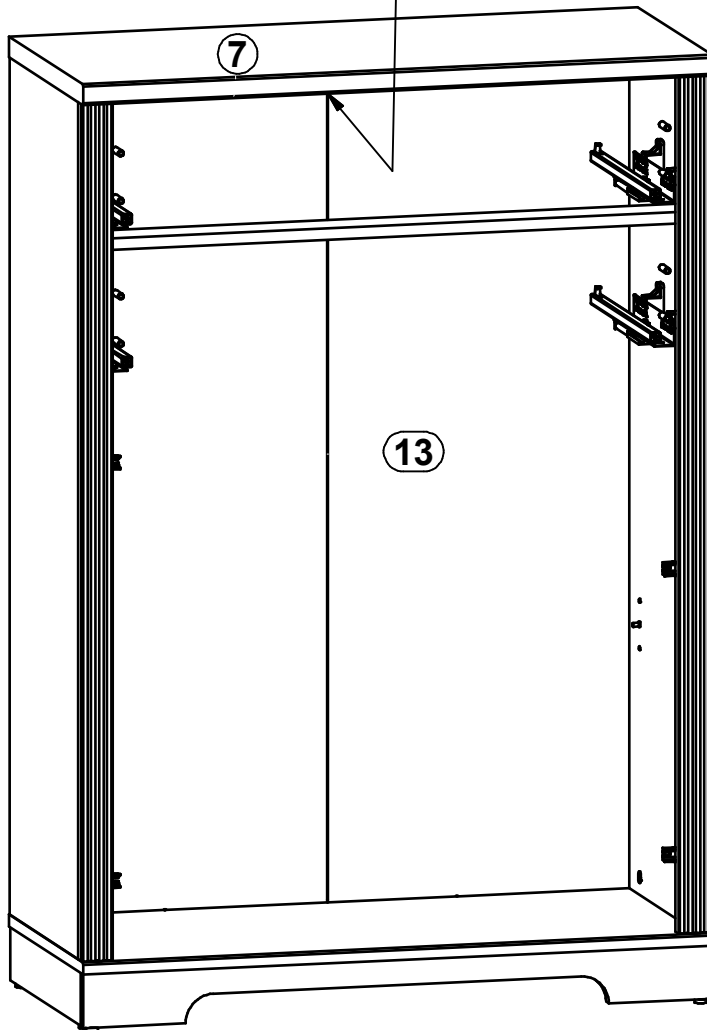
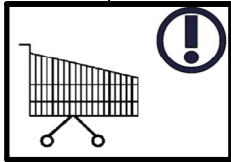
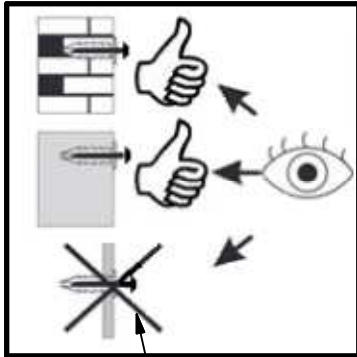
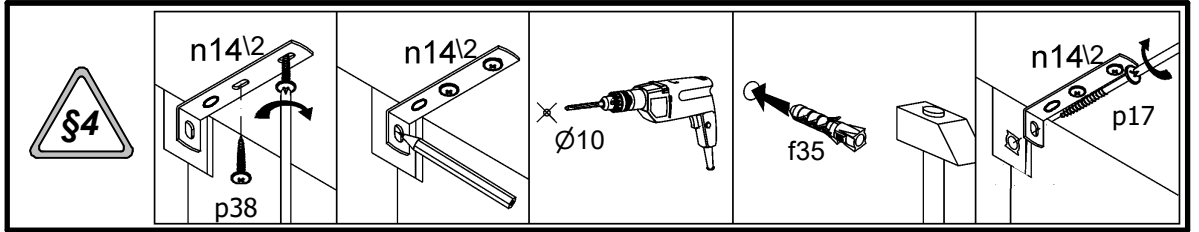
19



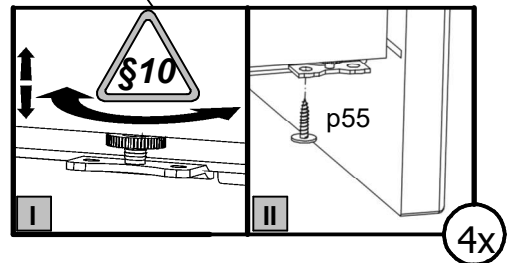
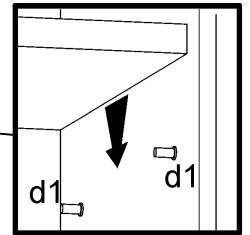
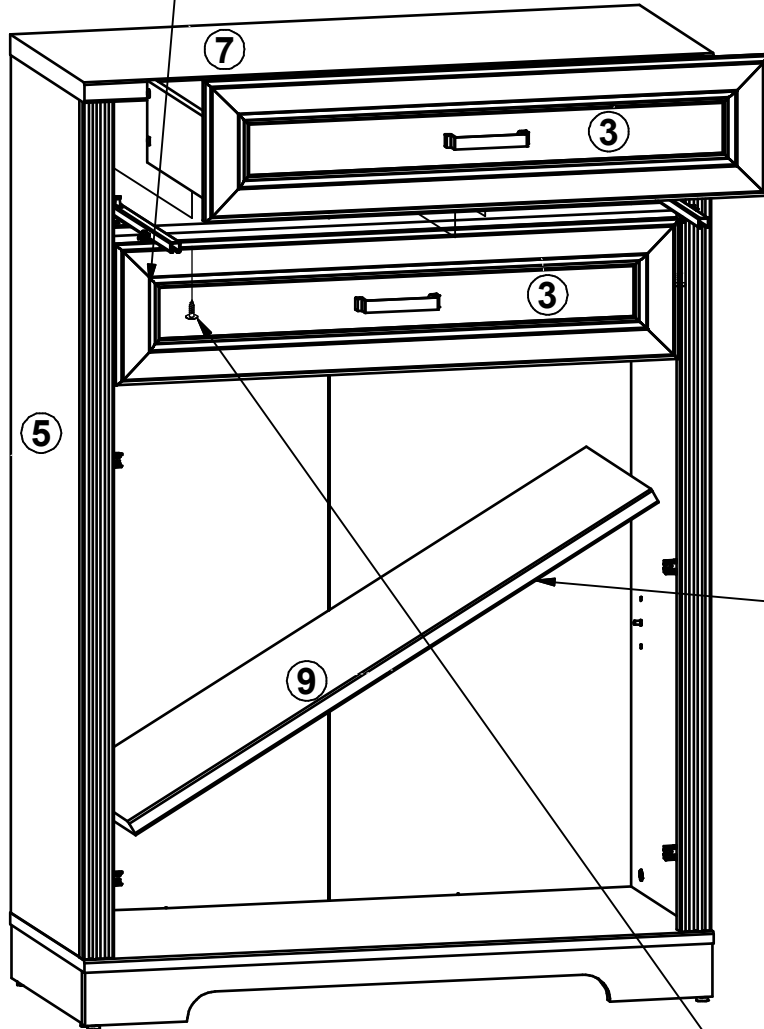
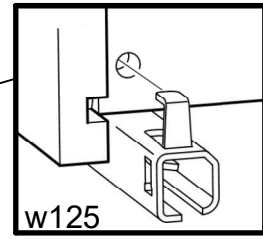
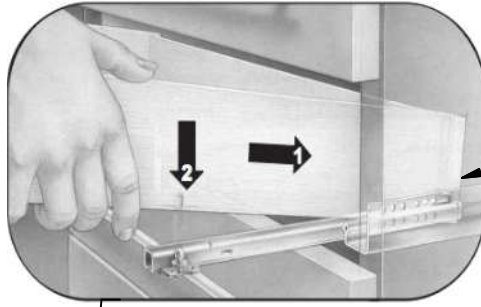
20



21



22



23

