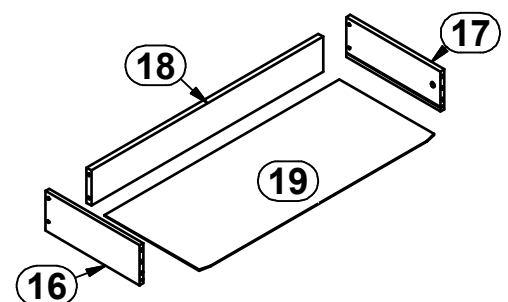
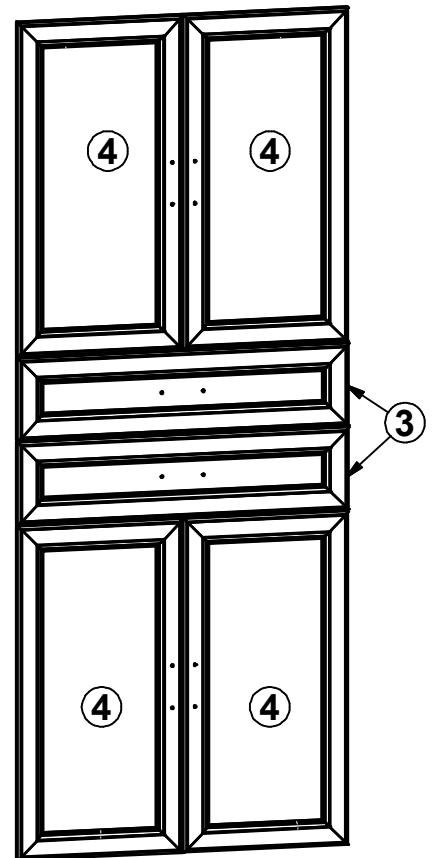
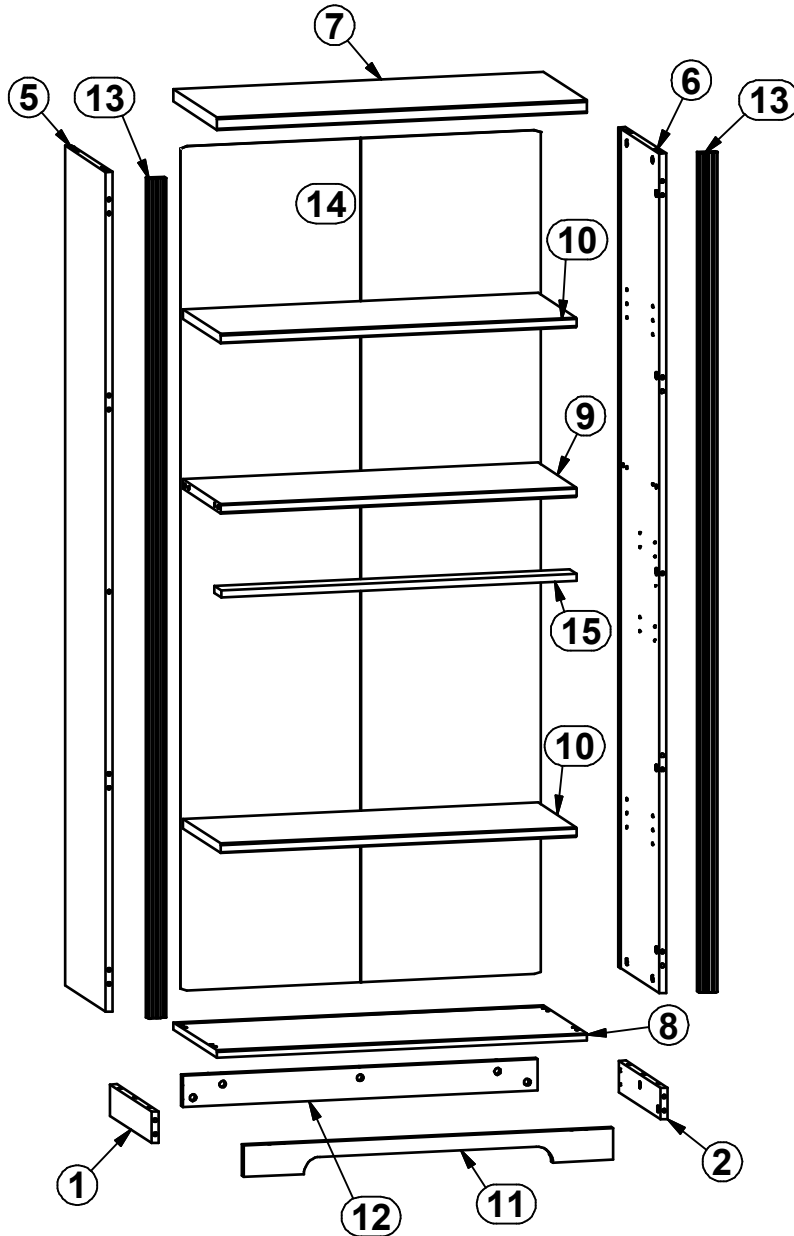
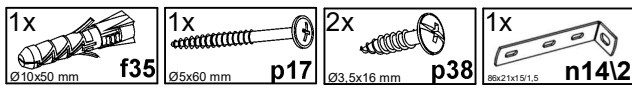
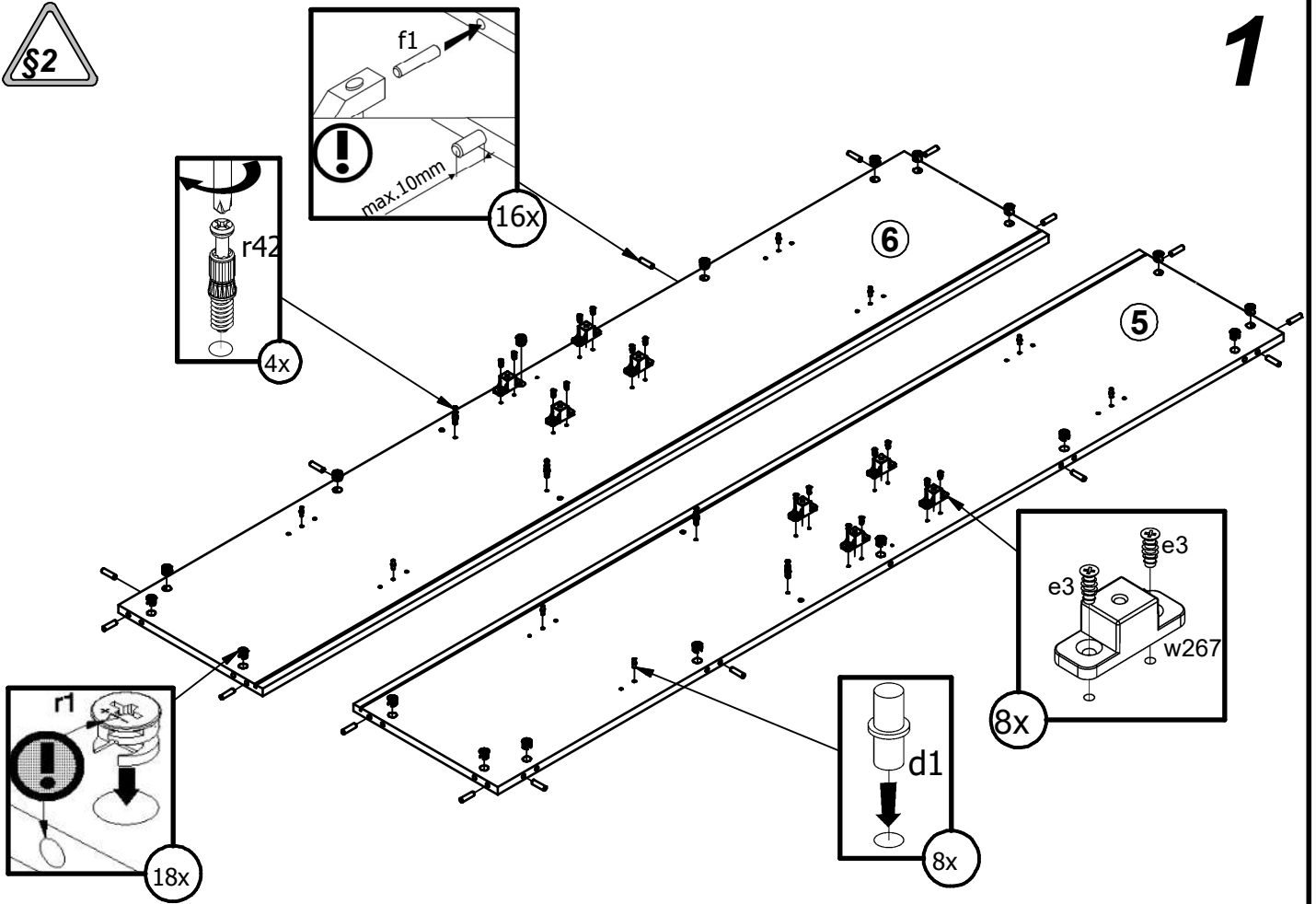


A	B1	B2	C1	C2	C3	C4	D
1	M261-4102	-2	363	72	16	1	2/3
2	M261-4103	-2	363	72	16	1	2/3
3	S530-0003	A	770	188	22	2	3/3
4	S530-0004	-6	762	383	22	4	3/3
5	S530-1006	-2	1918	353	16	1	2/3
6	S530-1007	-2	1918	353	16	1	2/3
7	S530-2001	-3	862	380	28	1	1/3
8	S530-2002	-3	862	380	16	1	1/3
9	S530-3004	-2	828	333	22	1	1/3
10	S530-3005	-3	828	333	22	2	1/3
11	S530-4101	A	860	72	15	1	2/3
12	S530-4102	-4	826	72	16	1	2/3
13	S530-5002	-2	1918	43	19	2	2/3
14	S530-9301	-2	1928	839	2,5	1	2/3
15	S530-4008	-	828	60	16	1	2/3
16	WSQ2-5003	-.10	300	110	12	2	2/3
17	WSQ2-5004	-.9	300	110	12	2	2/3
18	STQ-5109	-	737	97	15	2	2/3
19	WDF-9133	-	747	308	2,5	2	1/3

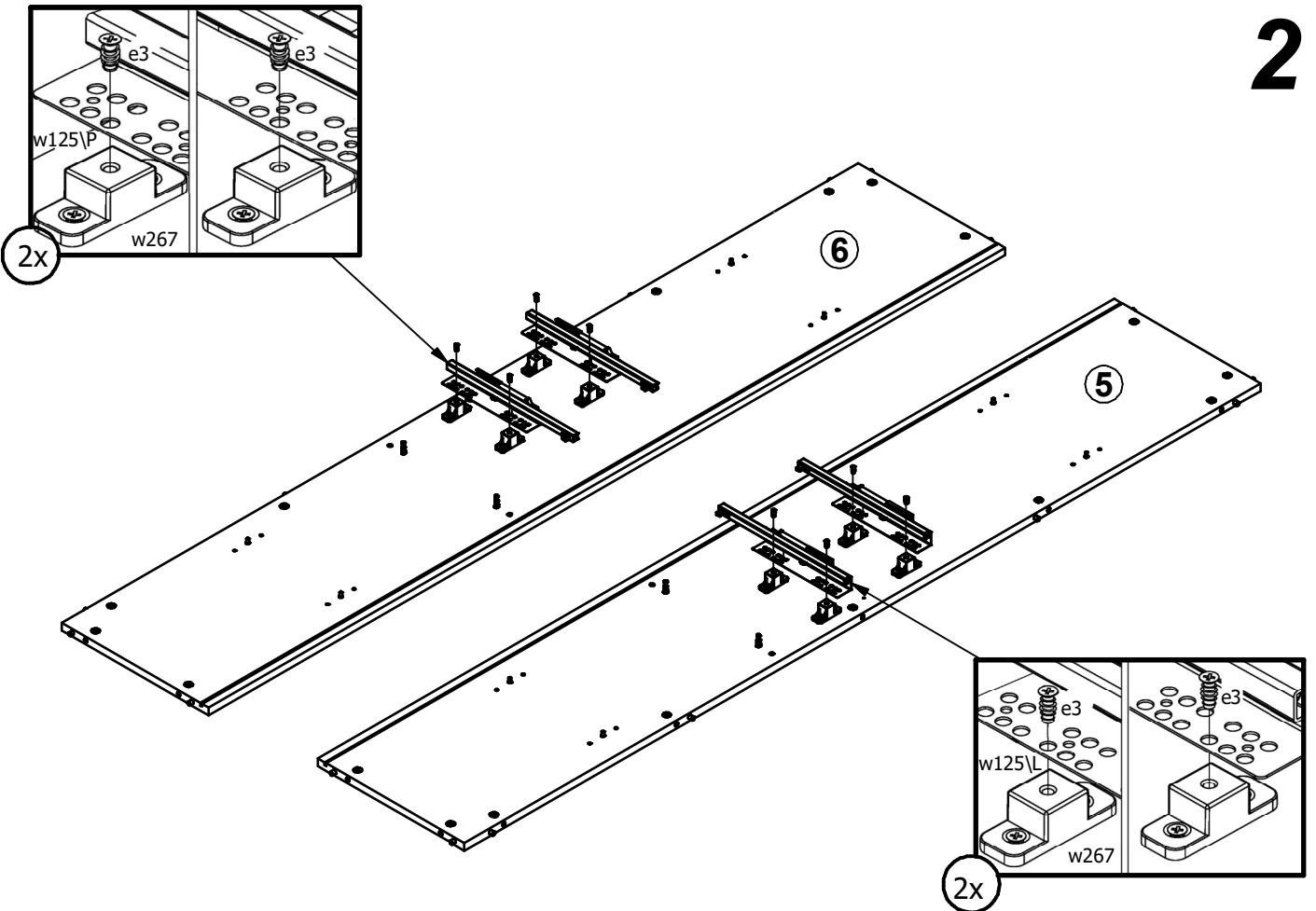




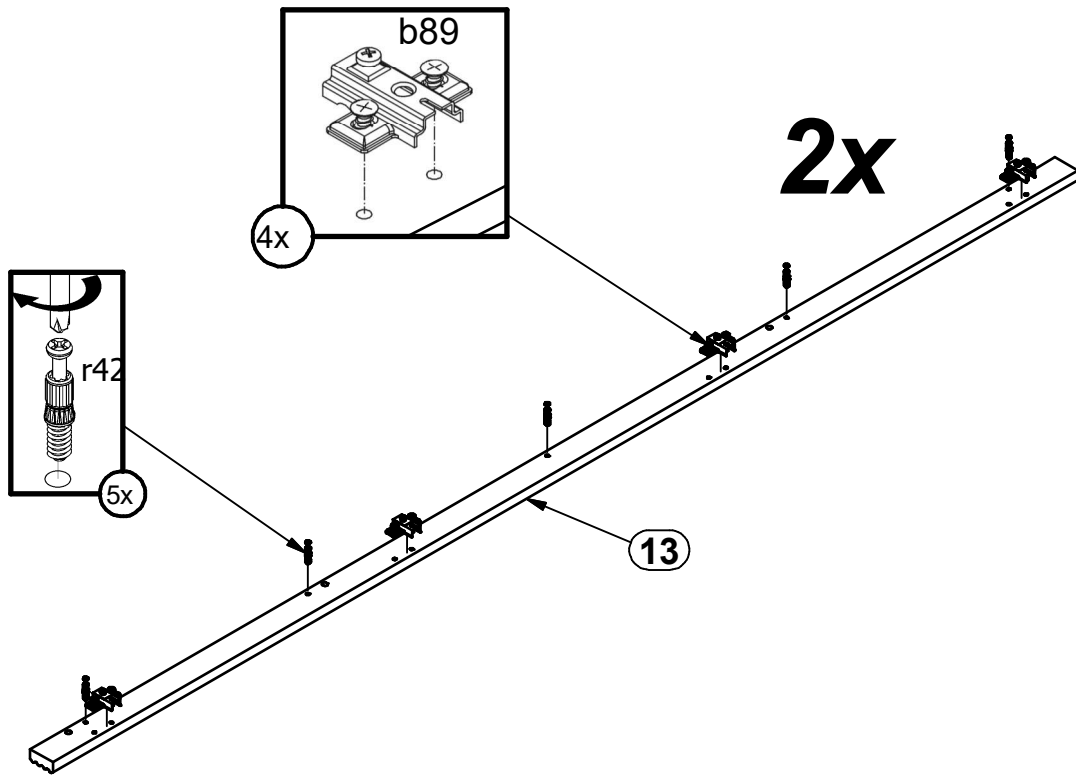
1



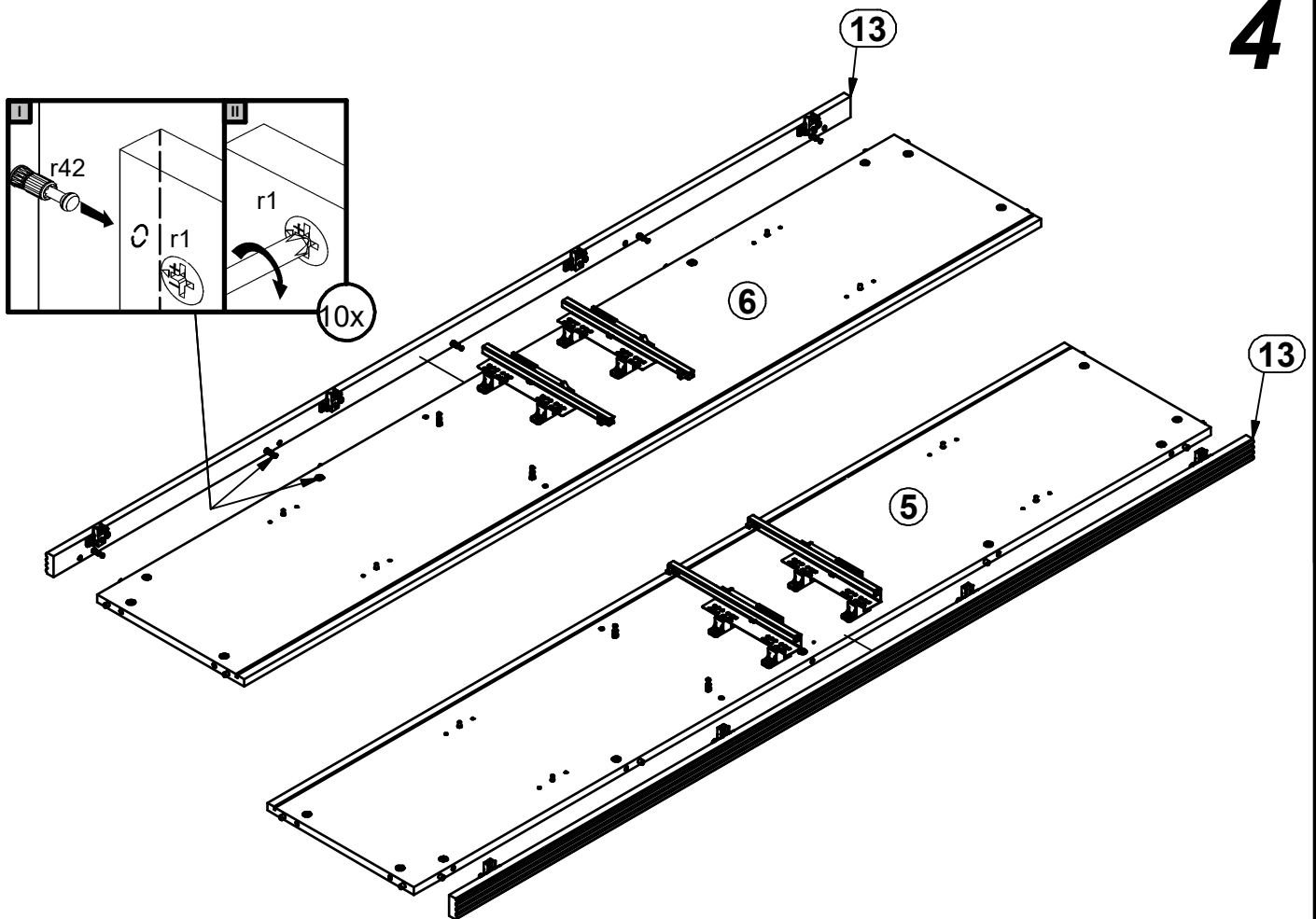
2

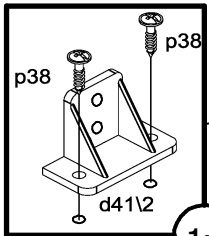


3

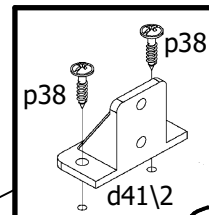
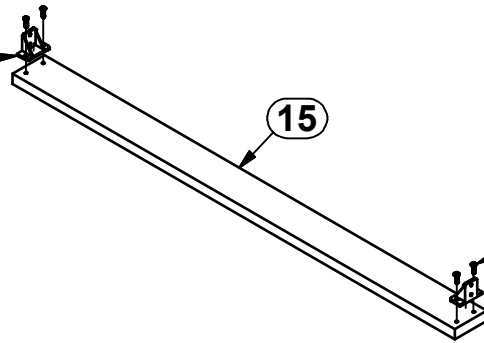


4



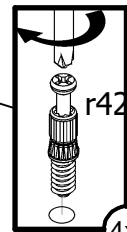
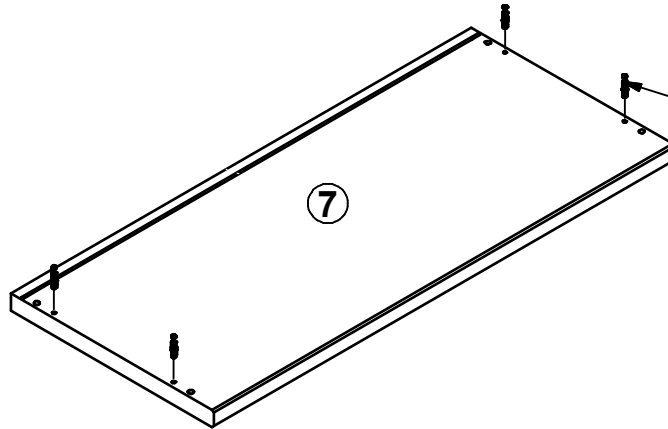


1x



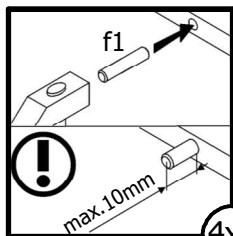
1x

5

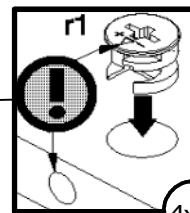
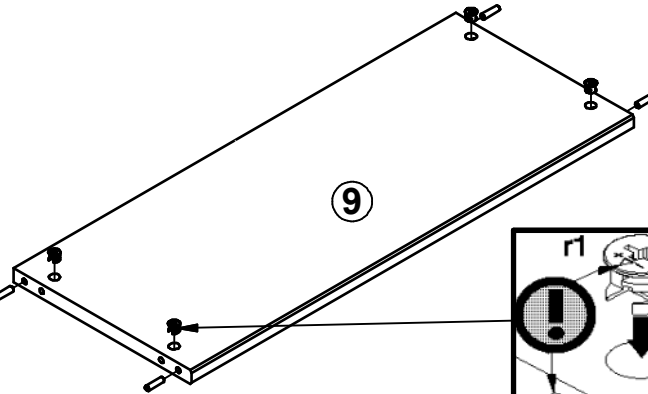


4x

6

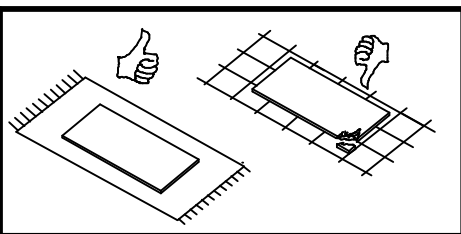


4x

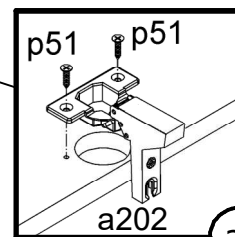
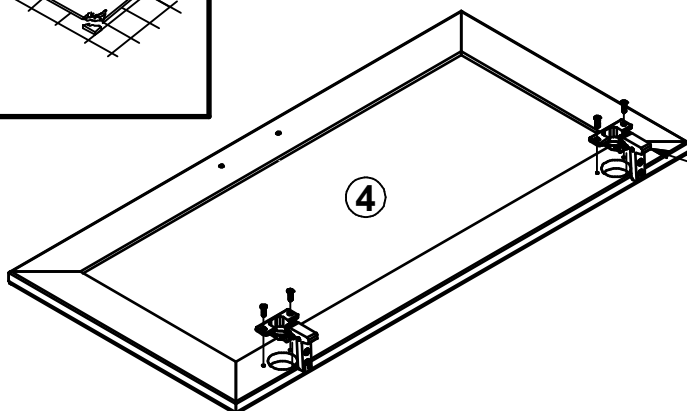


4x

7

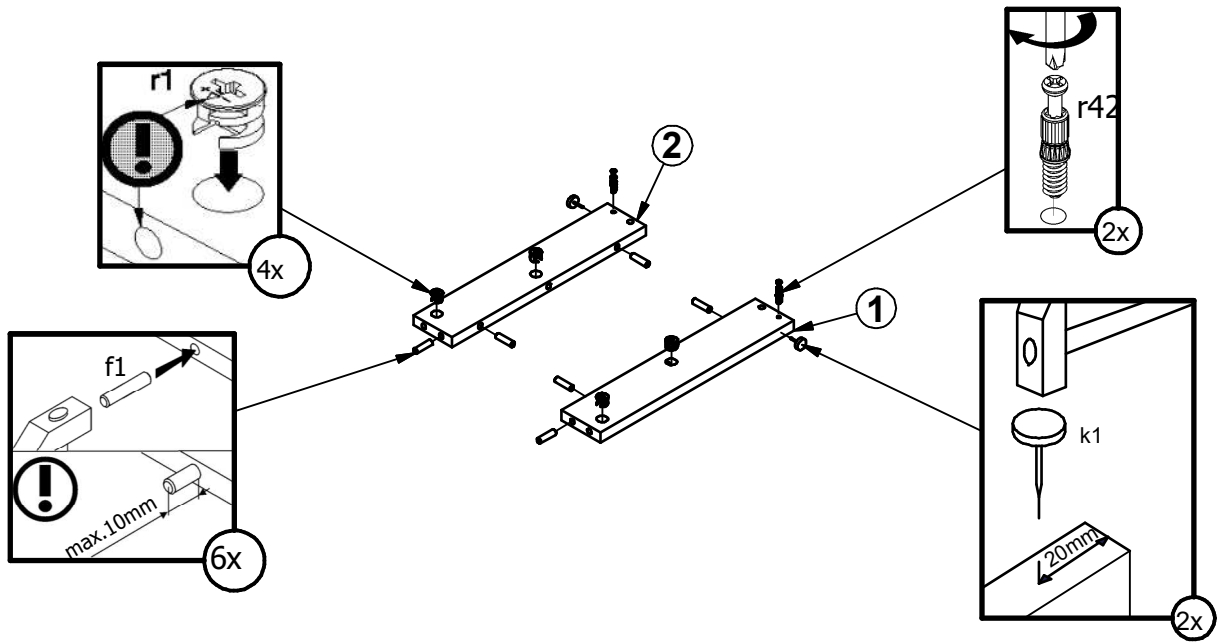


4x

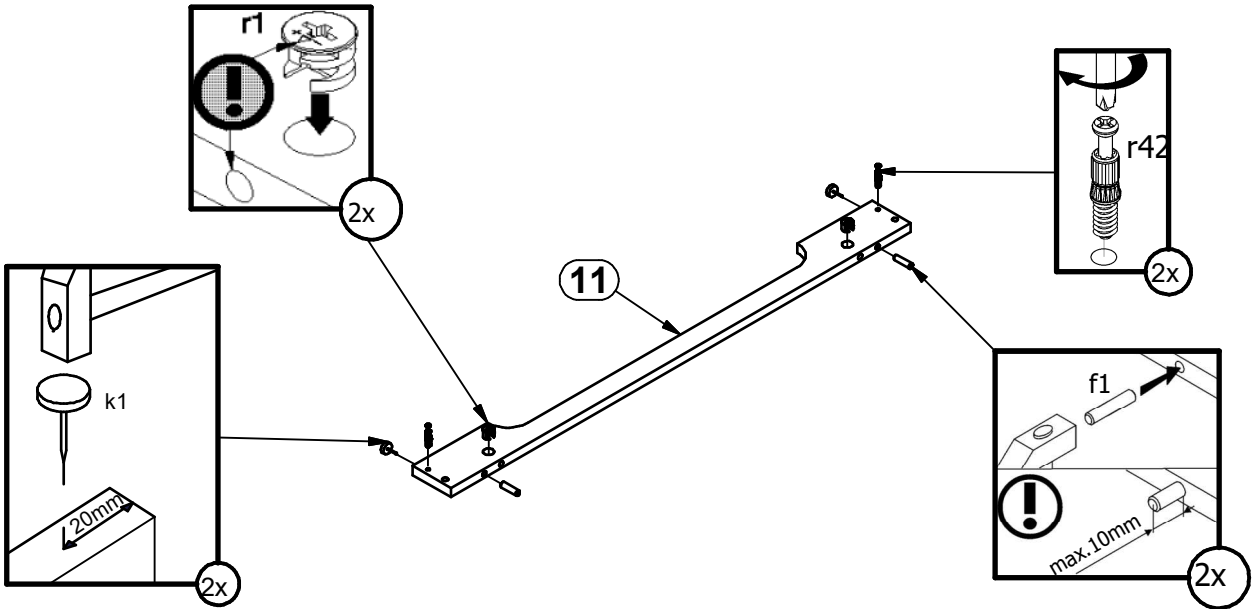


2x

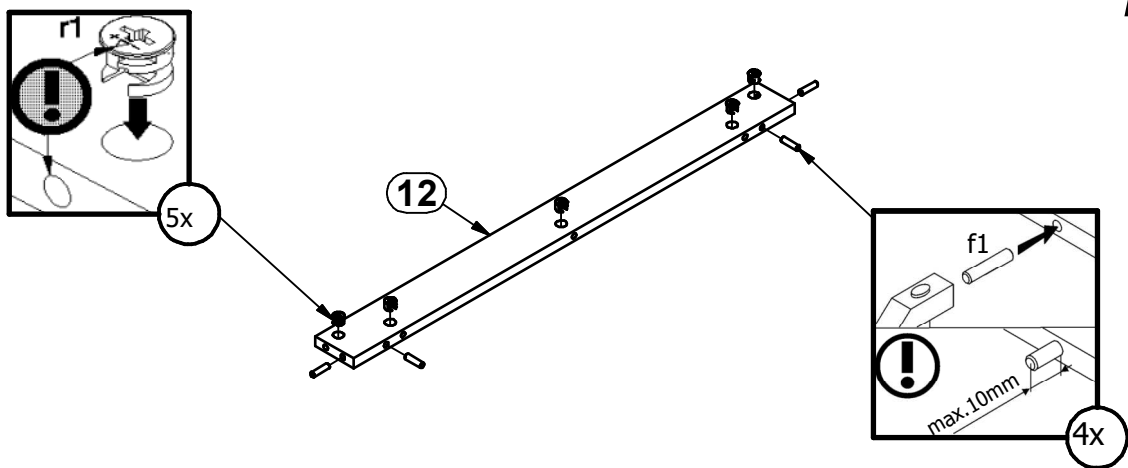
8



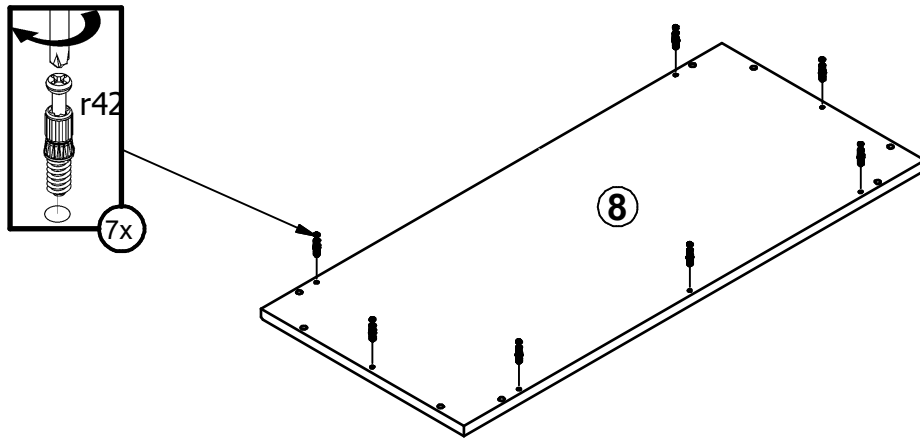
9



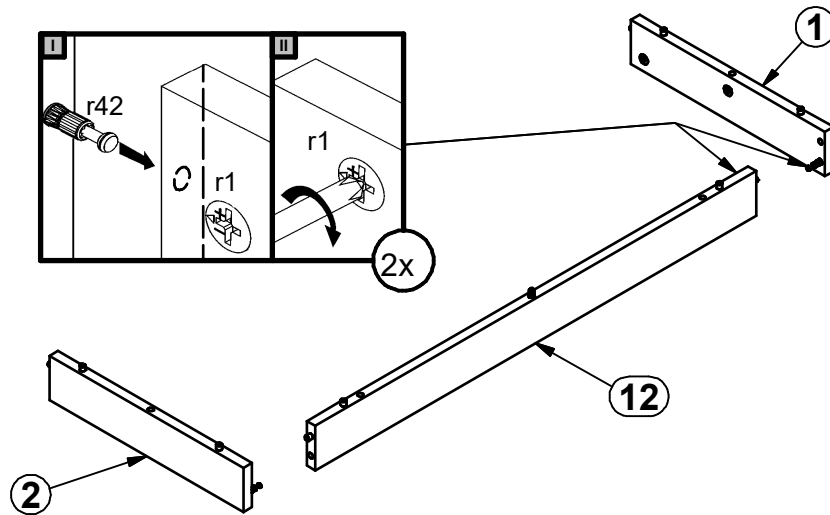
10



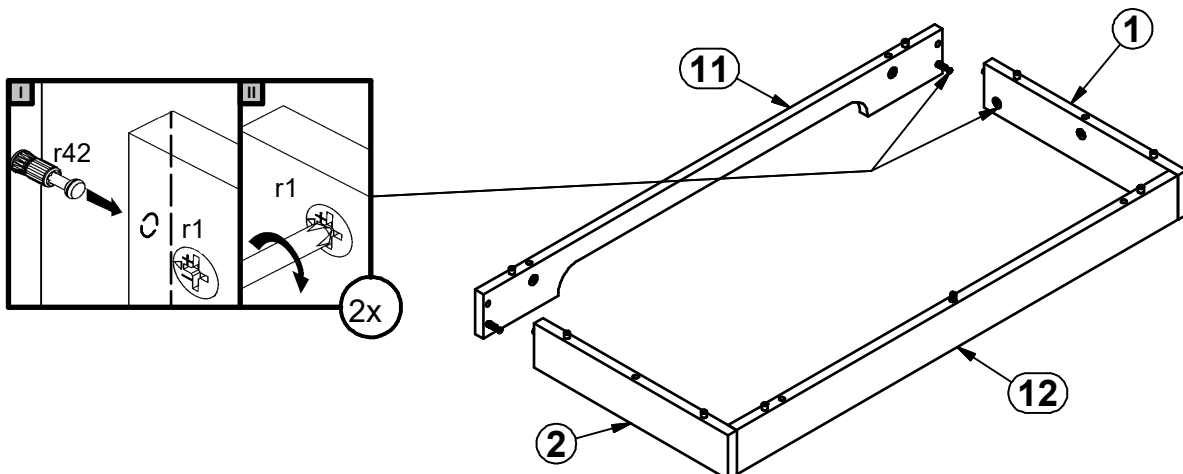
11



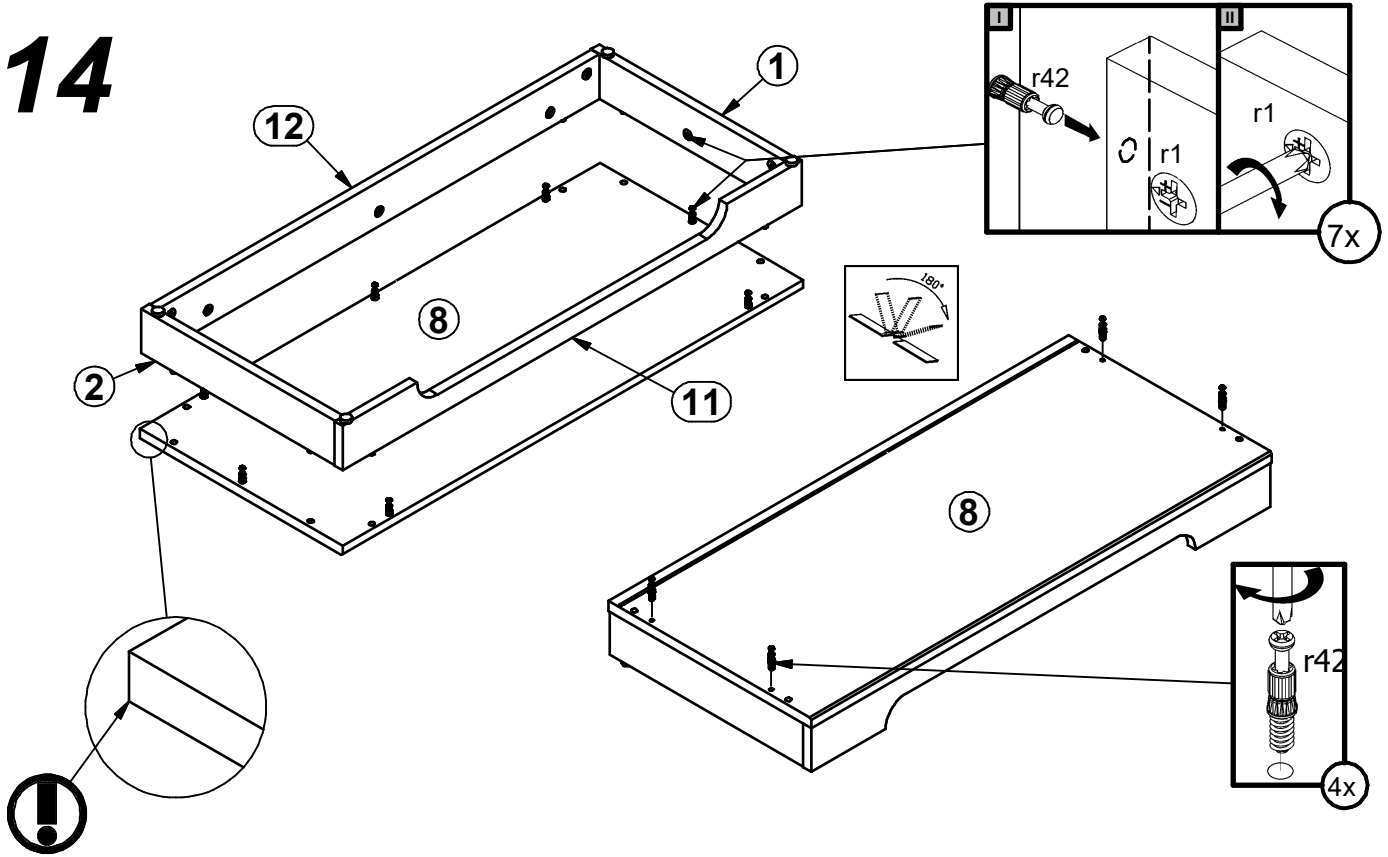
12



13



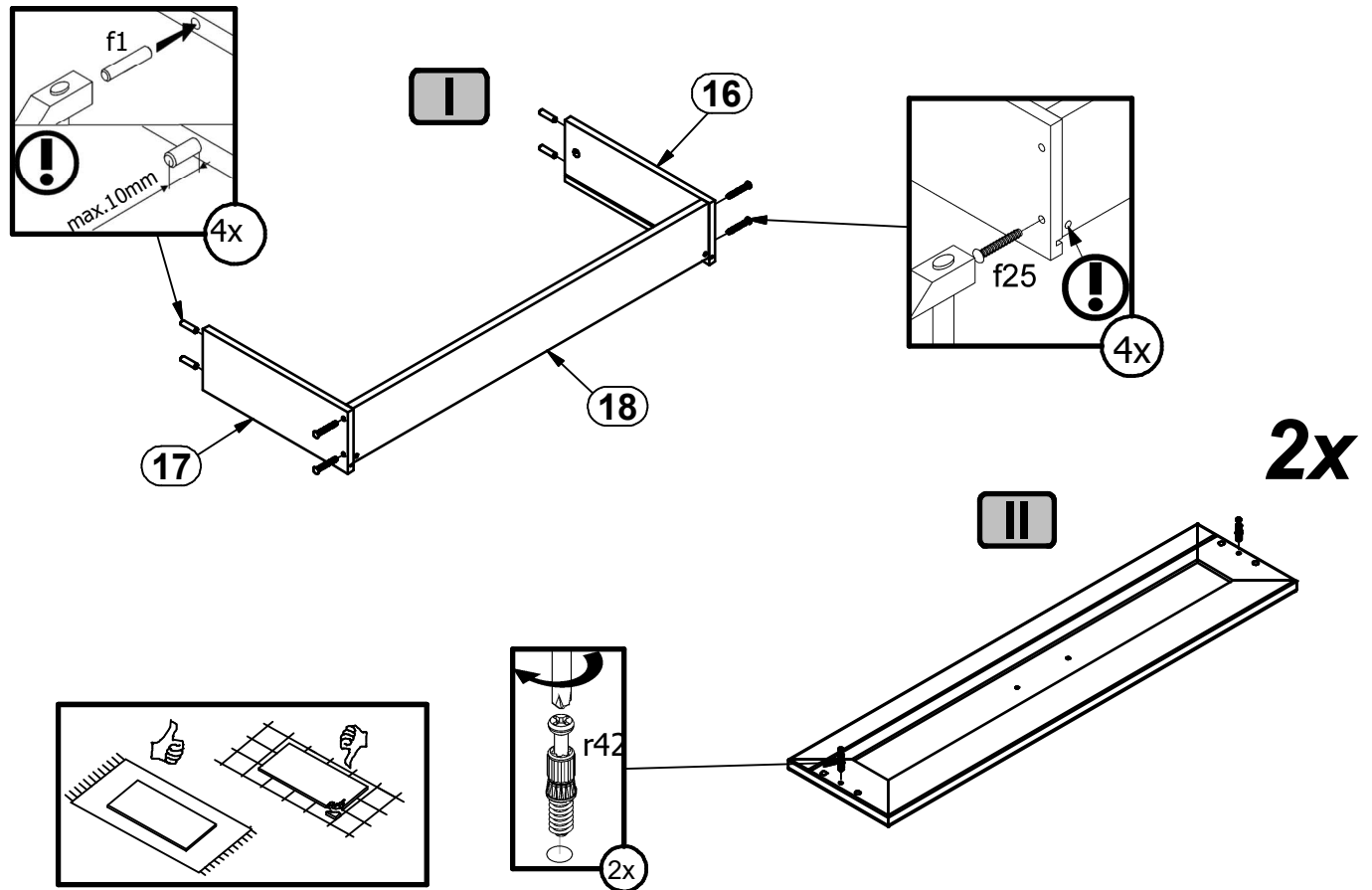
14

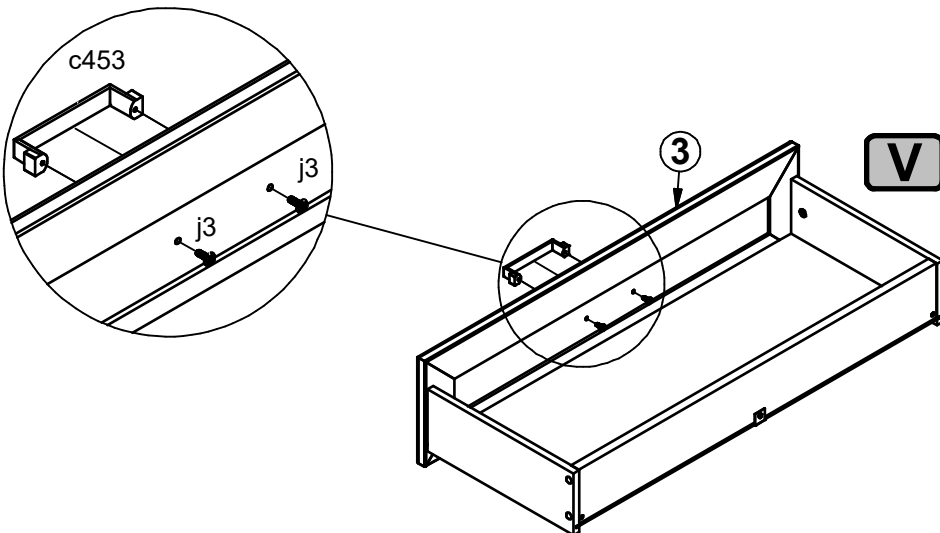
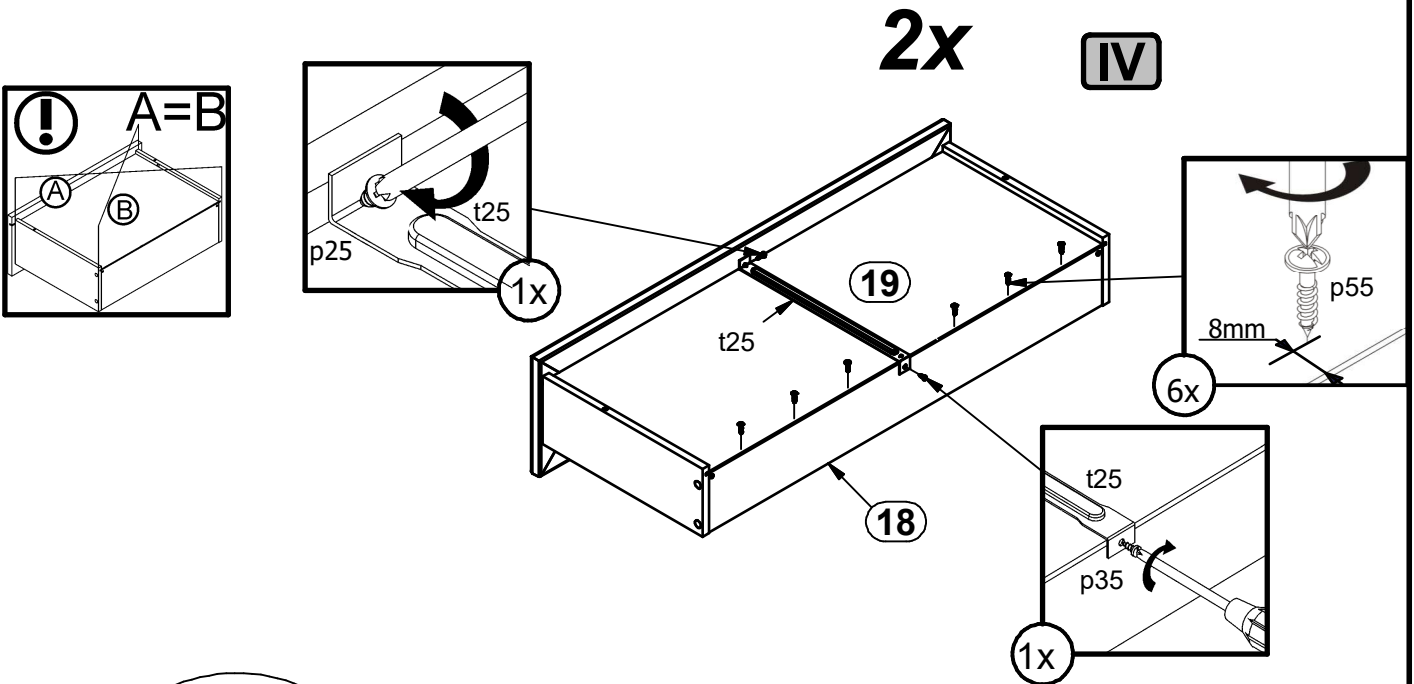
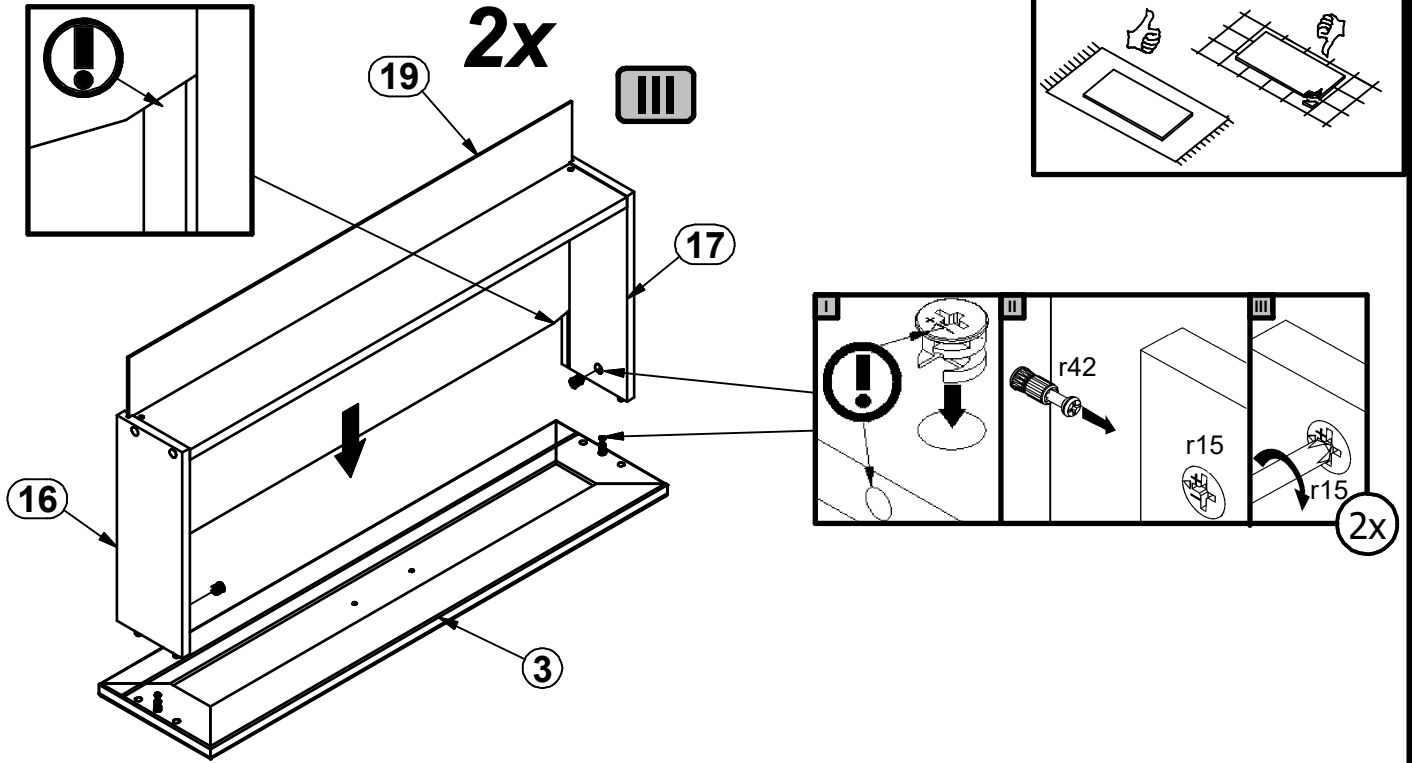


15

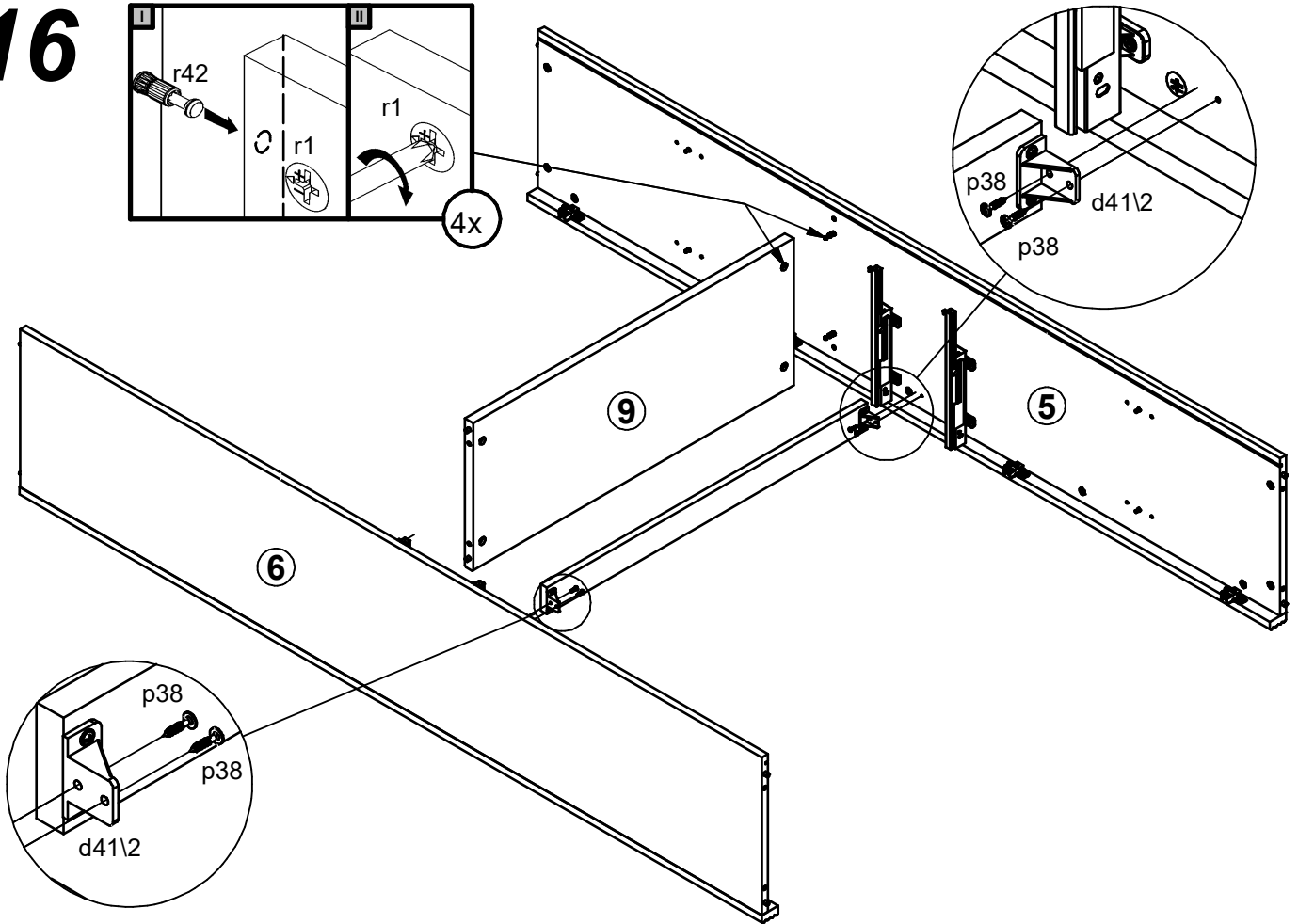


2x

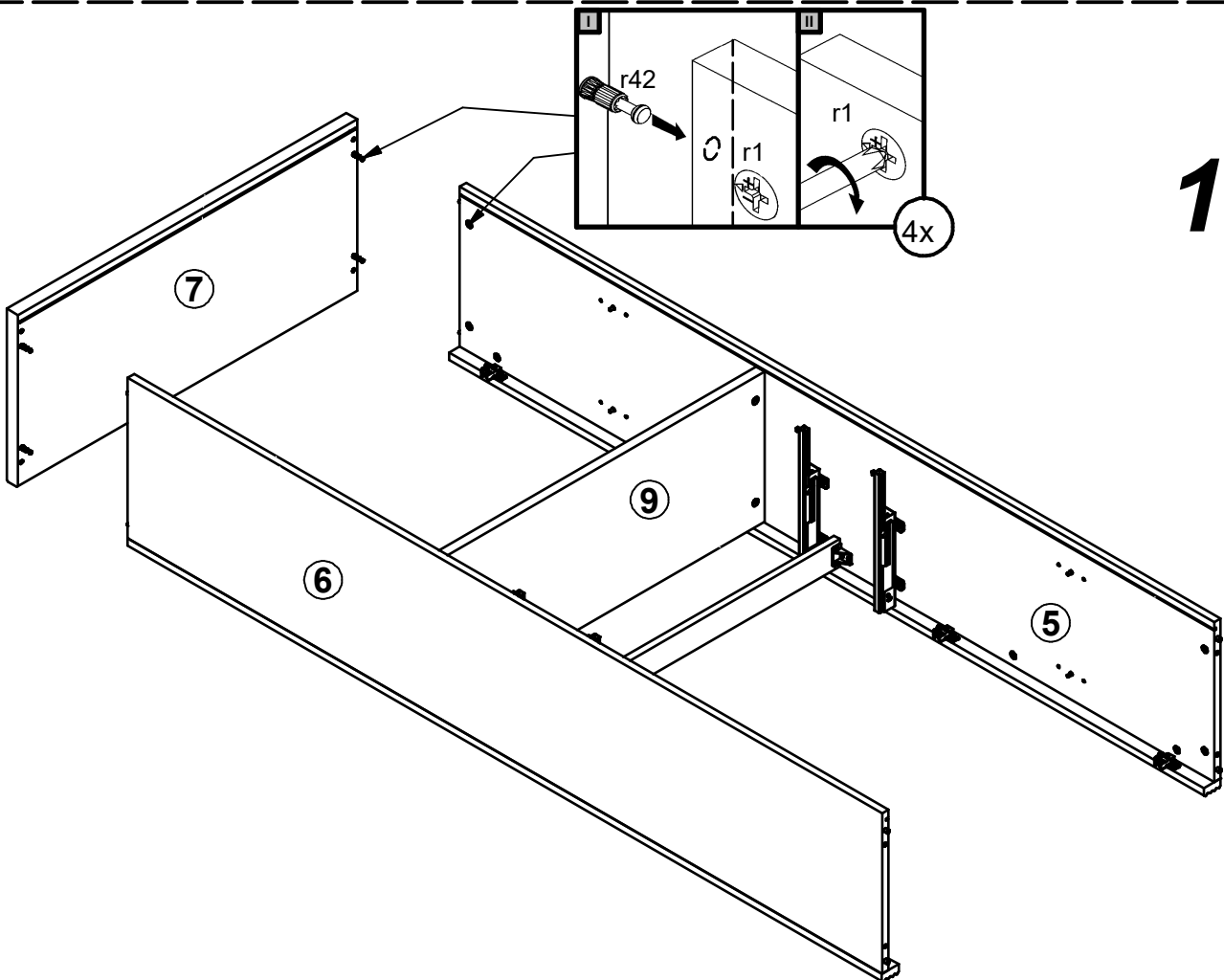




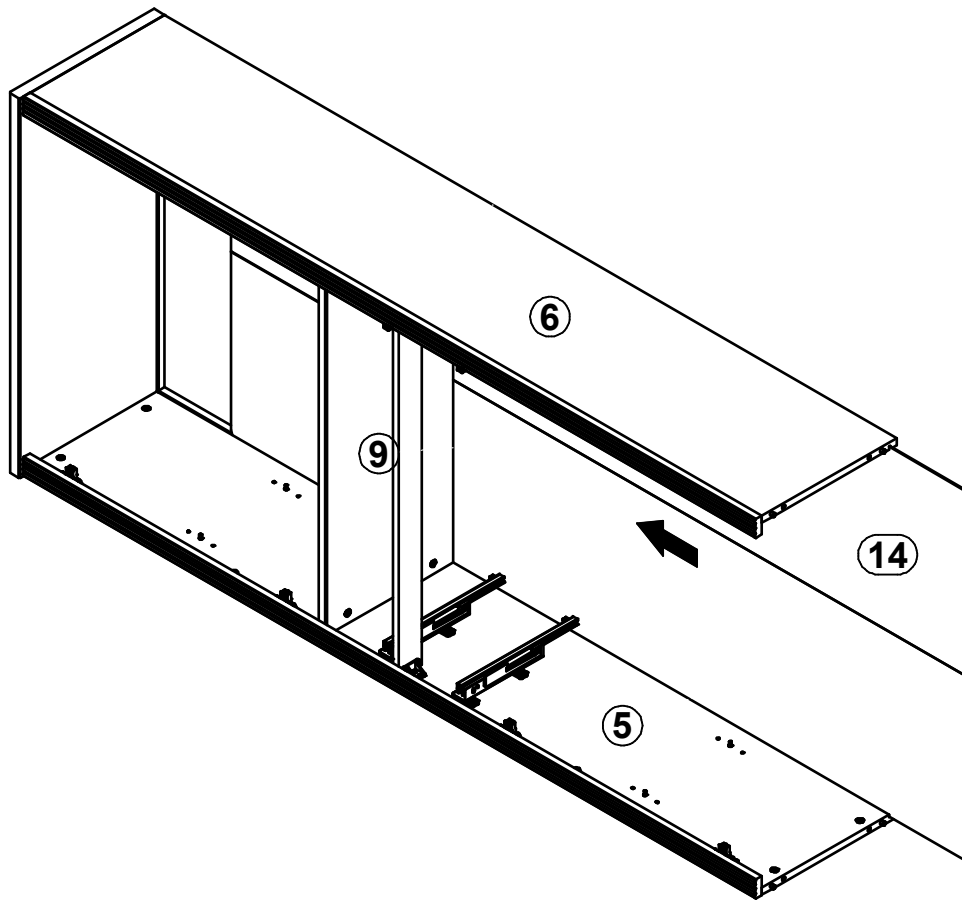
16



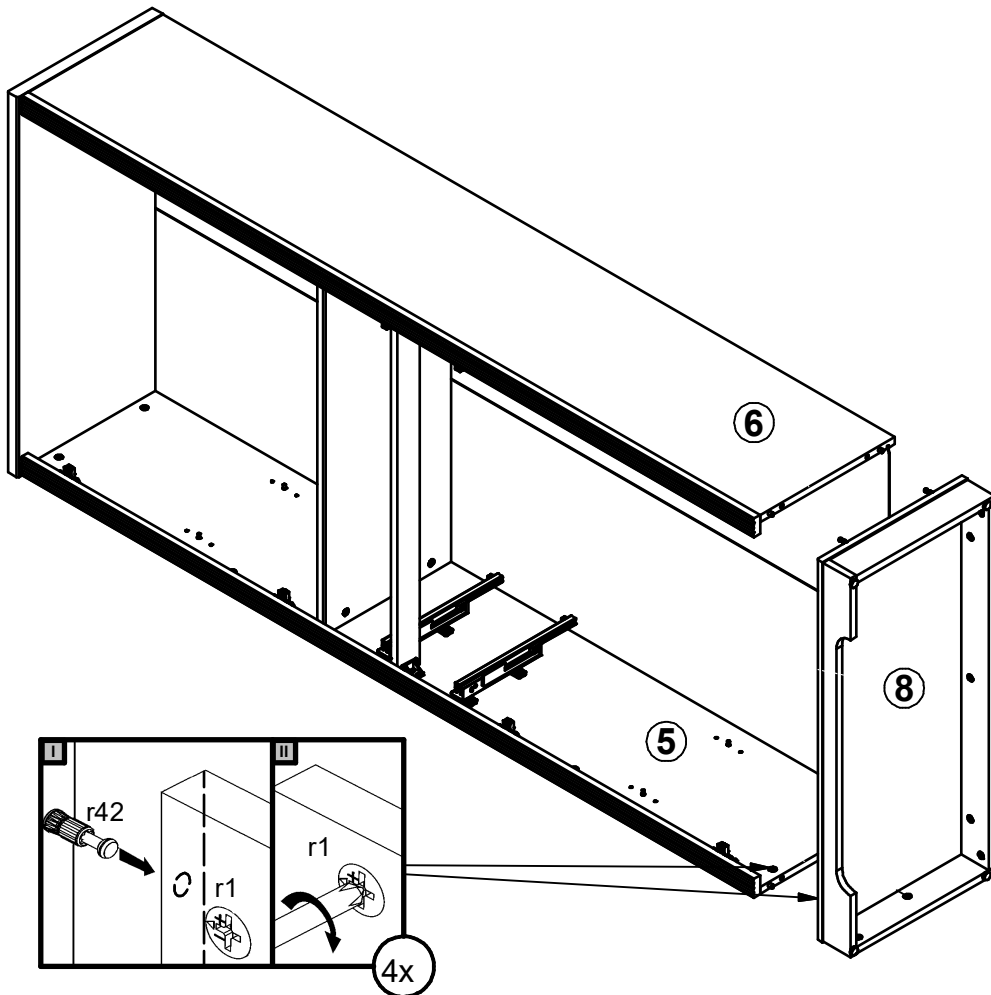
17



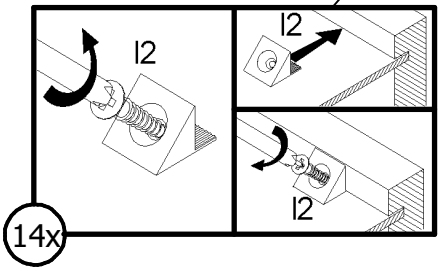
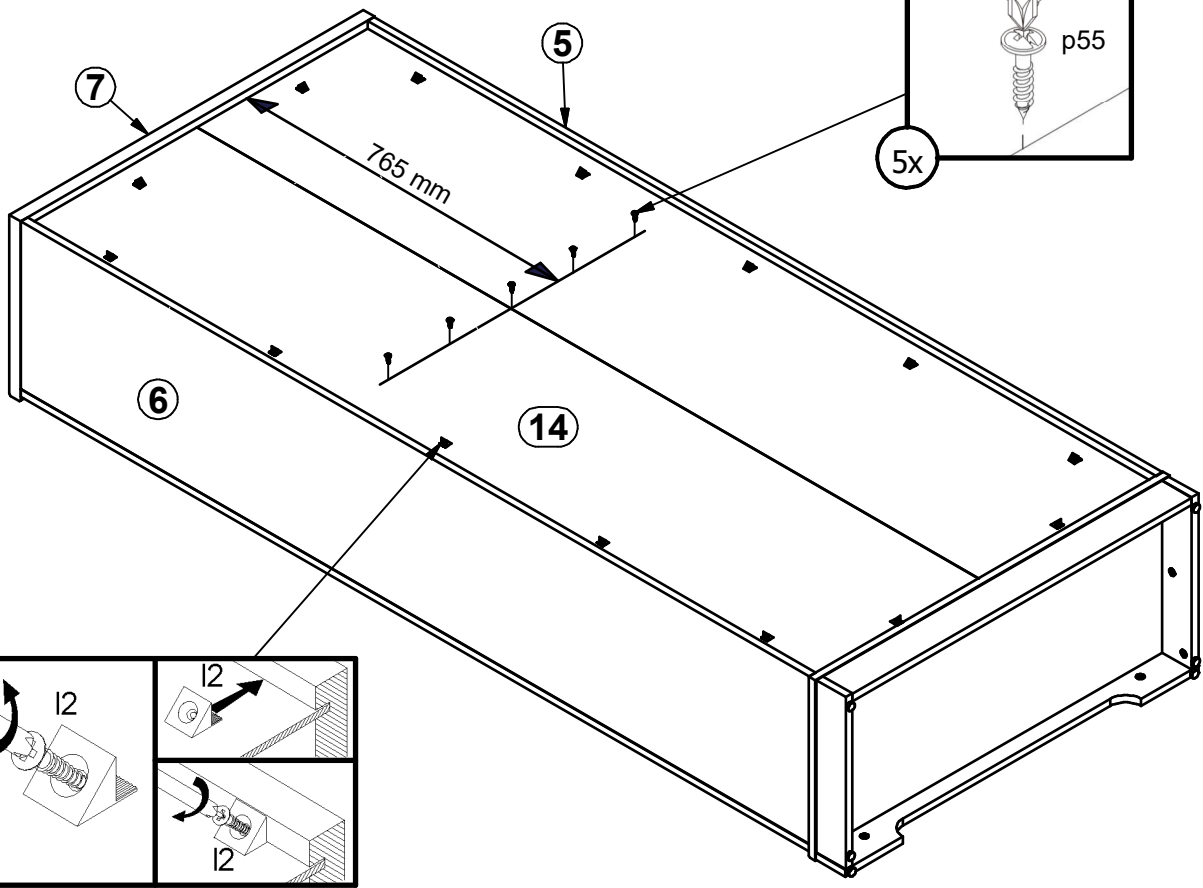
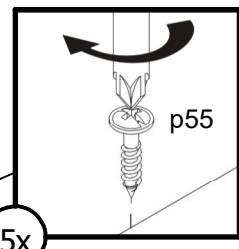
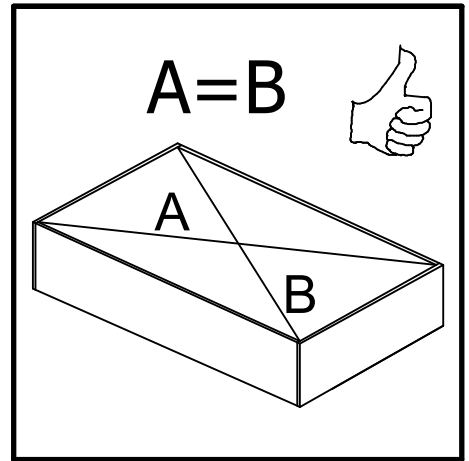
18



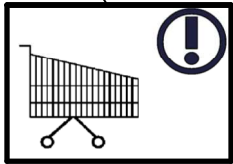
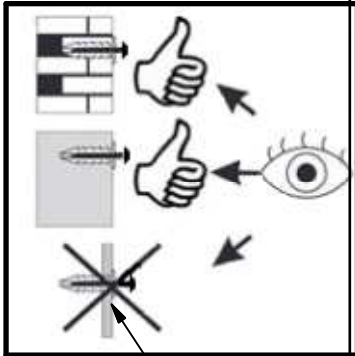
19



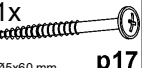



20



21



- 2x  **p38**
Ø3,5x16 mm
- 1x  **f35**
Ø10x50 mm
- 1x  **p17**
Ø5x60 mm
- 1x  **n14/2**
86x21x15/1,5

