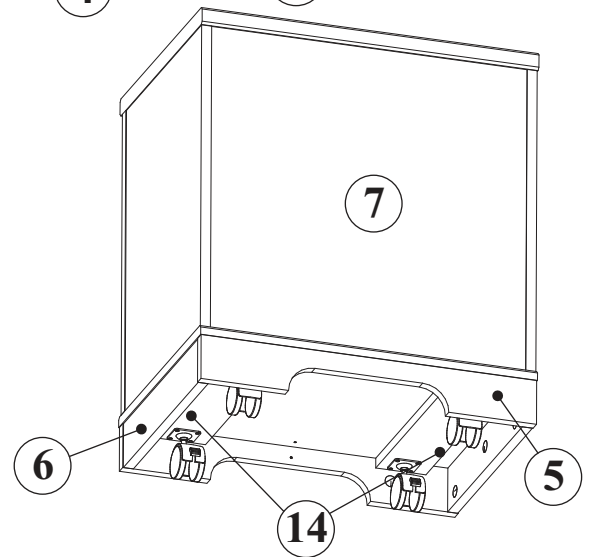
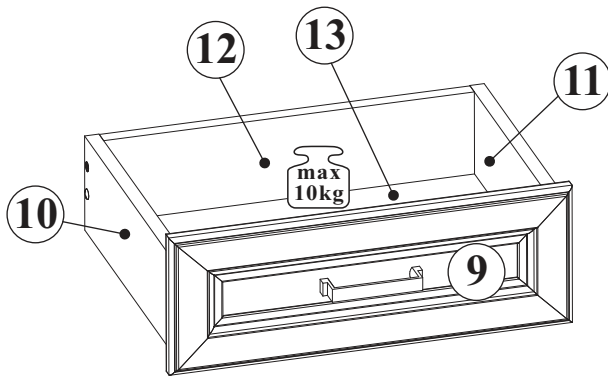
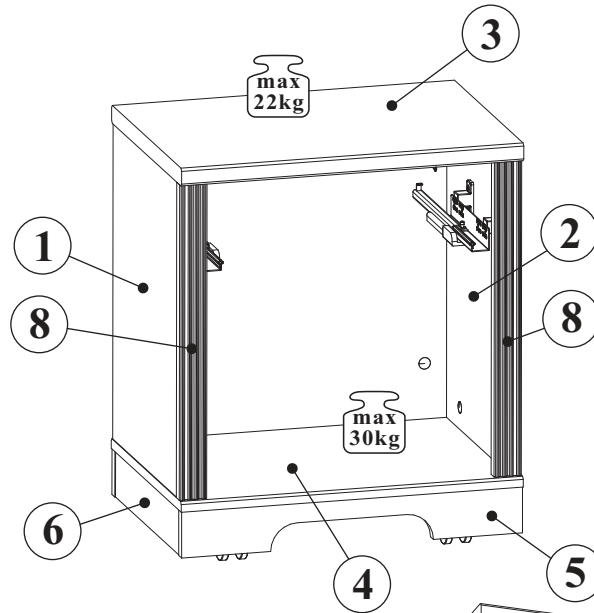
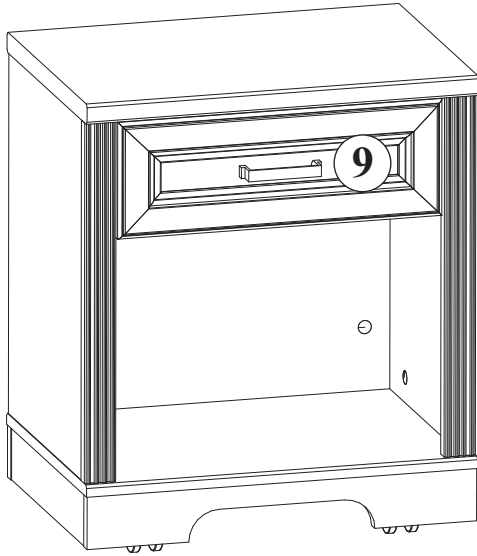
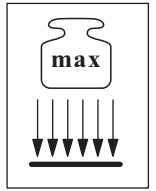
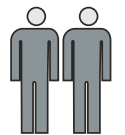


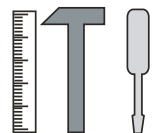
# JASMIN 5K 21--17

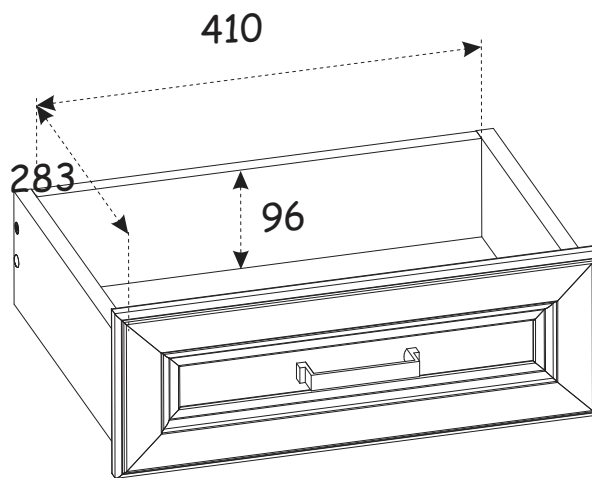
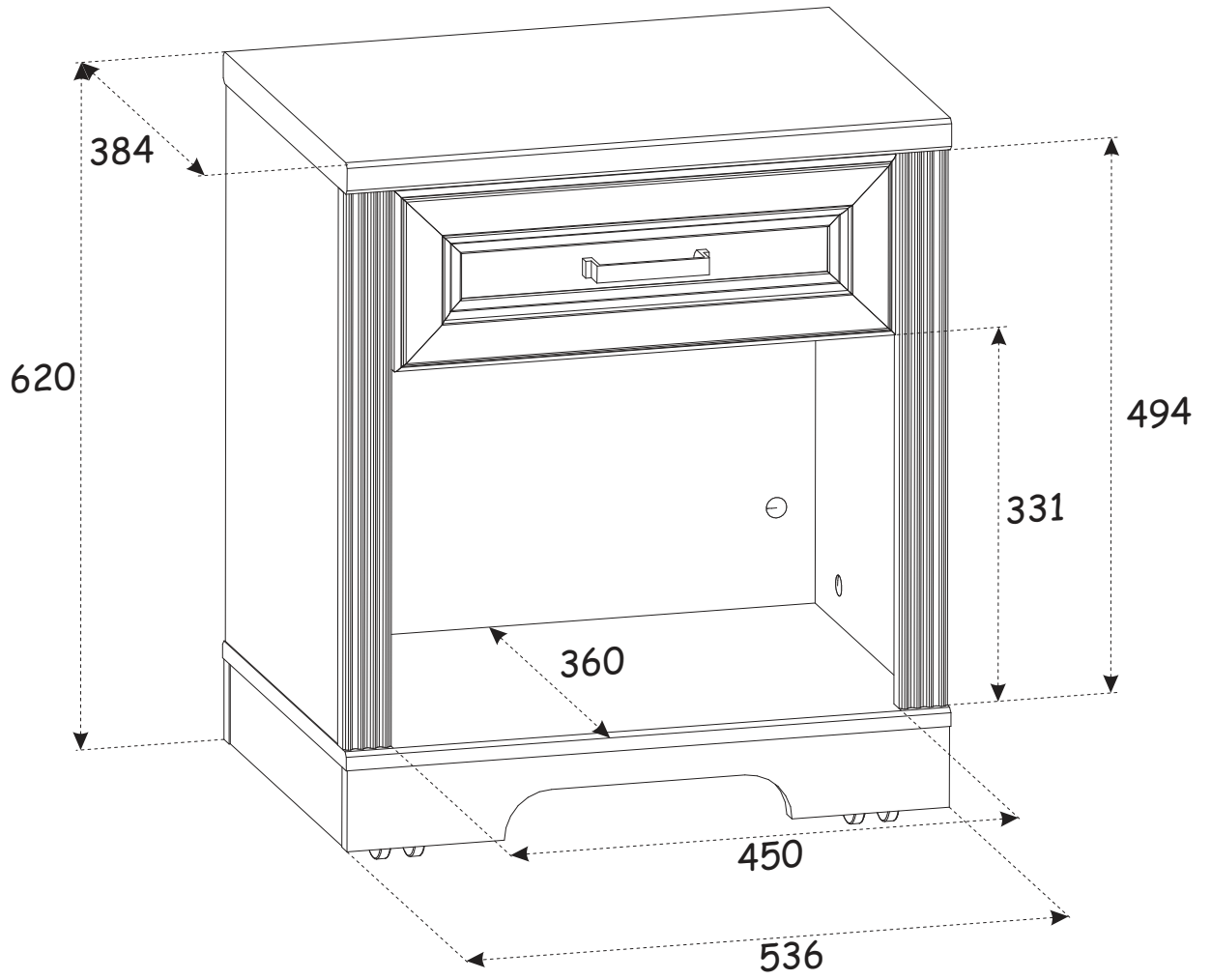


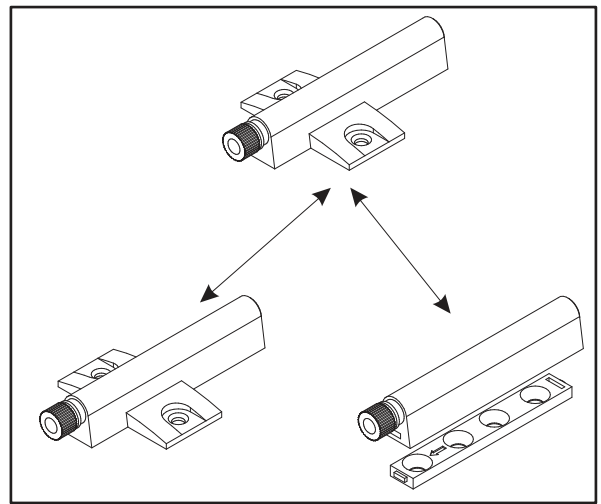
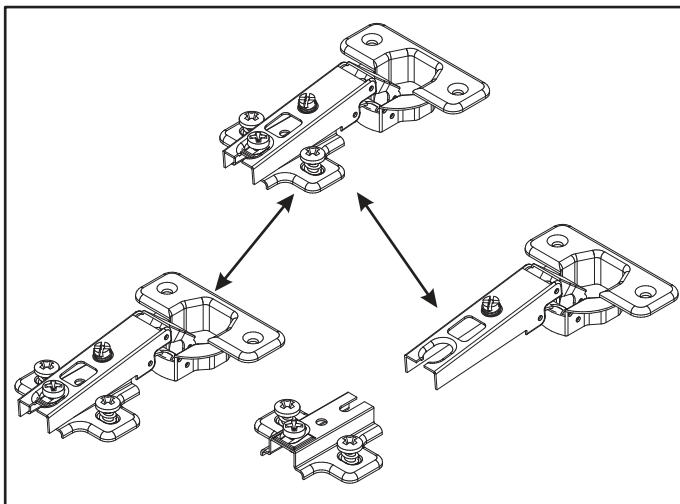
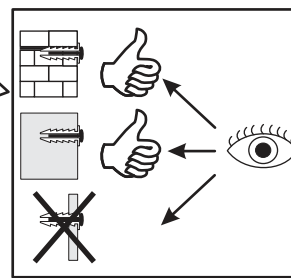
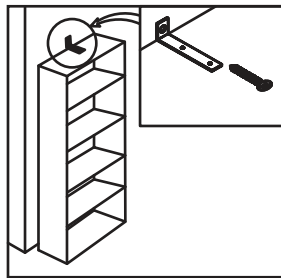
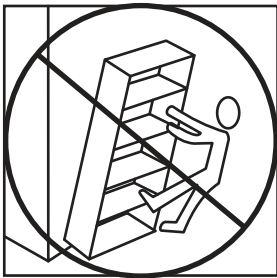
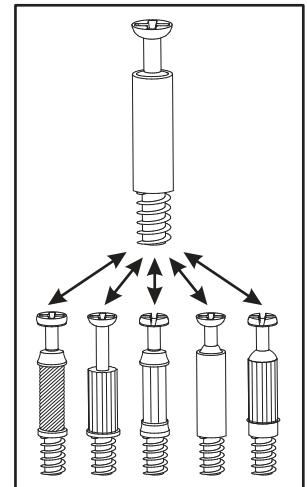
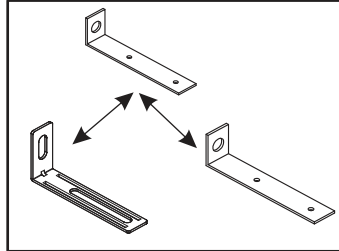
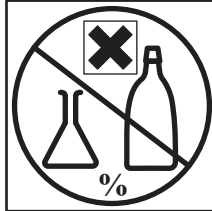
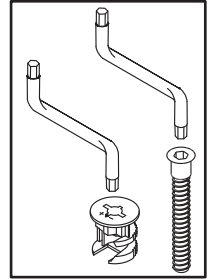
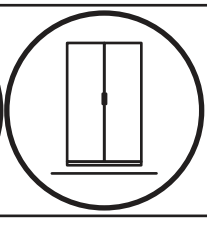
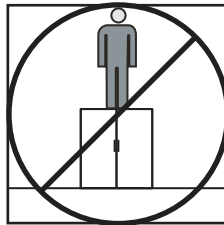
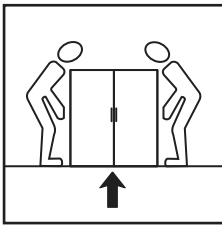
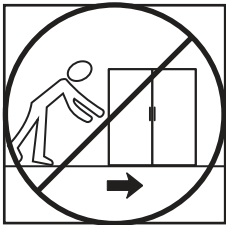
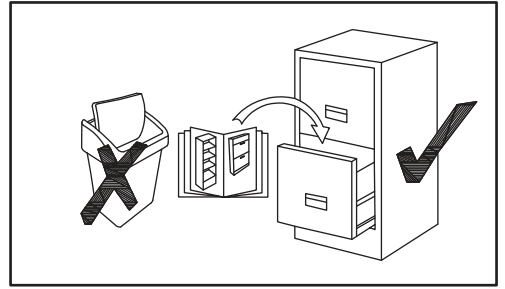
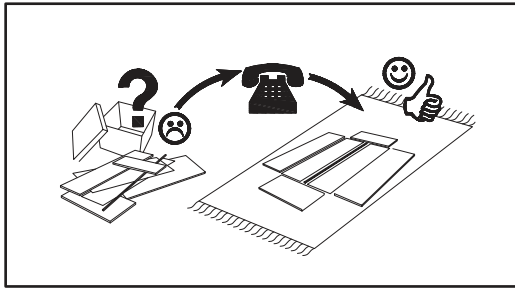
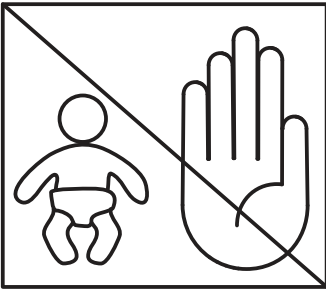
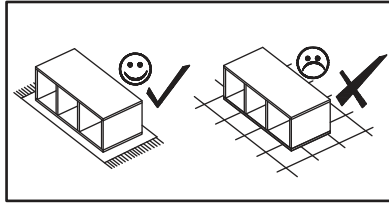
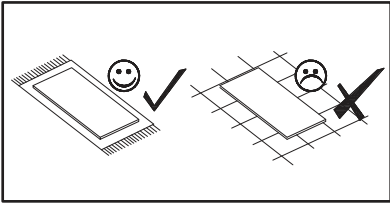
NO	Dim.			Col.-No	Qty
1	494	352	16	1	1
2	494	352	16	1	1
4	538	384	16	1	1
3	538	384	28	1	1
7	494	504	16	1	1
8	494	43	19	1	2
5	536	72	16	1	2
6	350	72	16	1	2
9	446	160	22	1	1
10	300	110	16	1	1
11	300	110	16	1	1
12	410	96	16	1	1
13	304	422	3	1	1
14	348	80	16	1	2



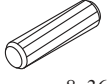
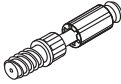




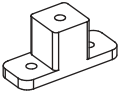
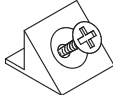



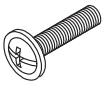

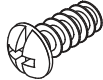



180 min

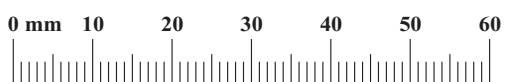




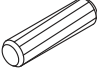



JASMIN 5K 21 -- 17

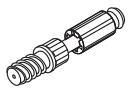
A1 x28 ø8x36		B4 x30		B5 x30 ø15x12		G5 x30		B11 x4 Ø7x50		G4 x4	
H1 x4		S1 x1		K16 x4 Ø50 H-65		QU x1 L-300		C19 x1		D16 x2 M4x14	
D20 x4 ESØ6x9,5		EK6 x8 EKØ6,3x13		UP13 x3 UPØ3x16		UP6 x16 UPØ4x30		G2 x1			

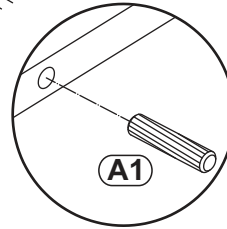
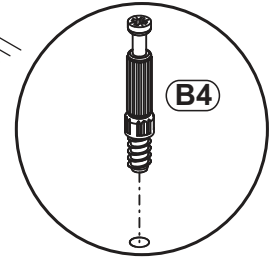
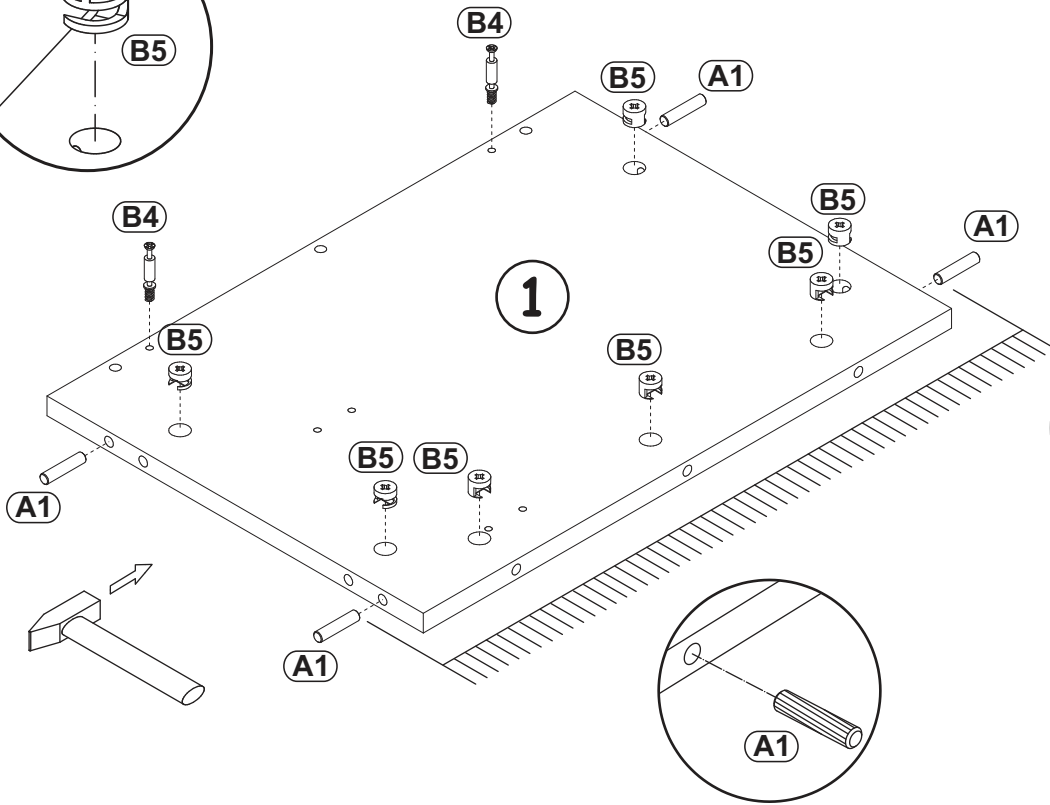
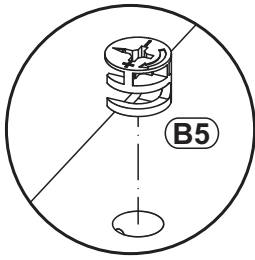


1

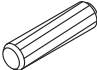
A1	
x4	ø8x36


B5	
x7	ø15x12

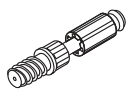
B4	
x2	

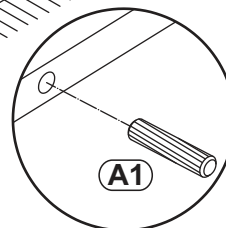
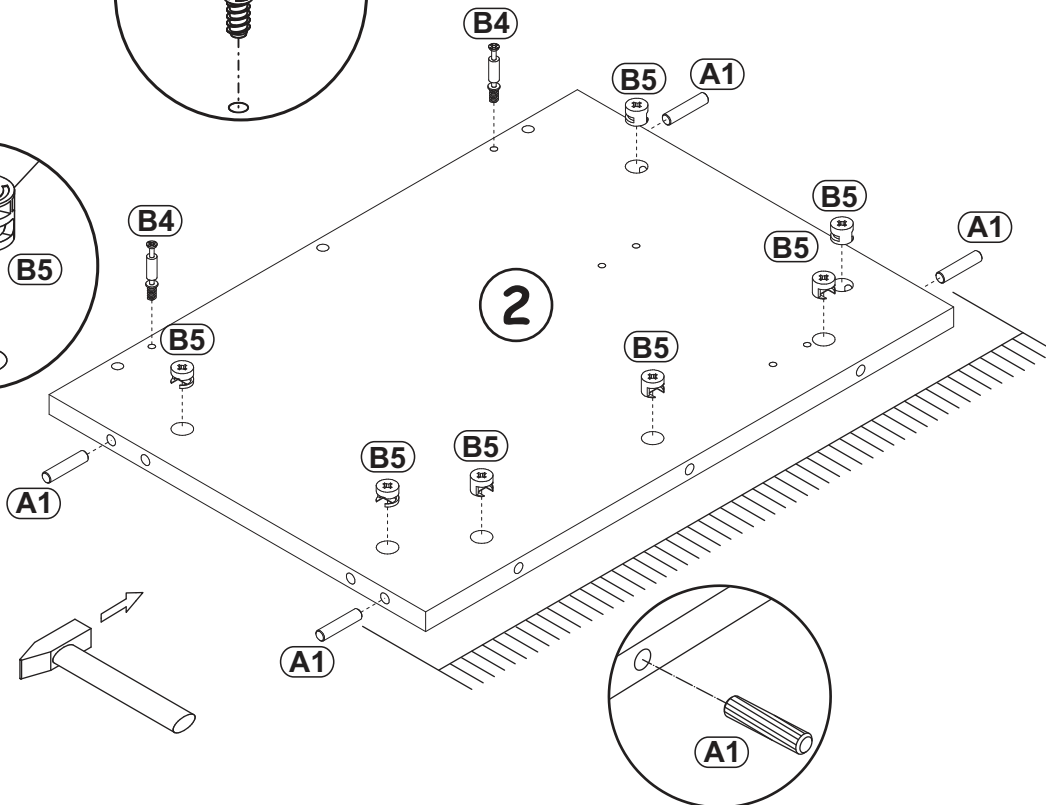
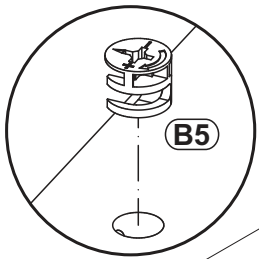
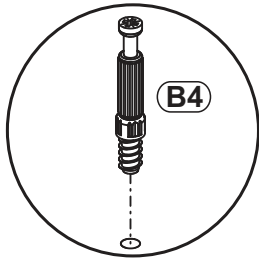


2

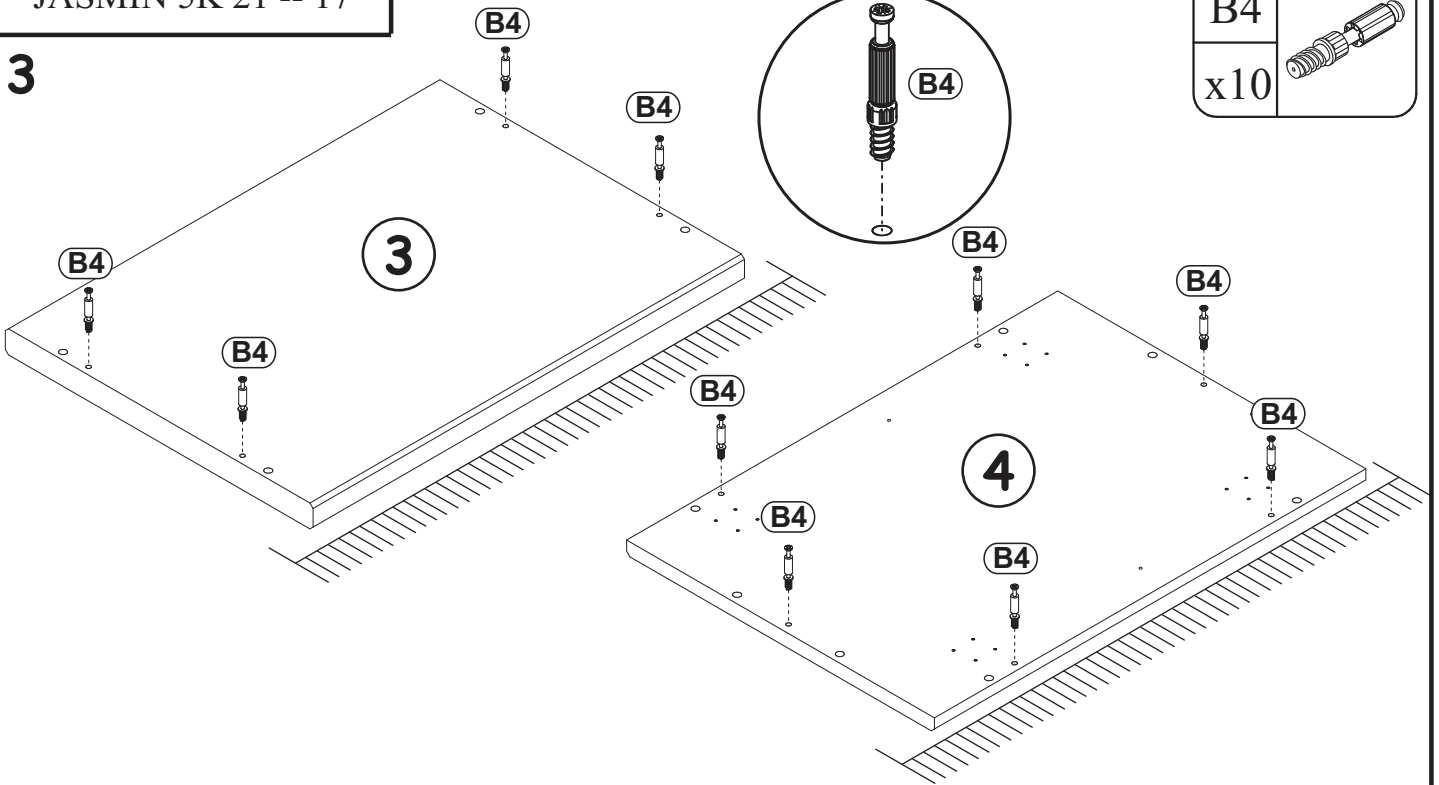
A1	
x4	ø8x36

B5	
x7	ø15x12

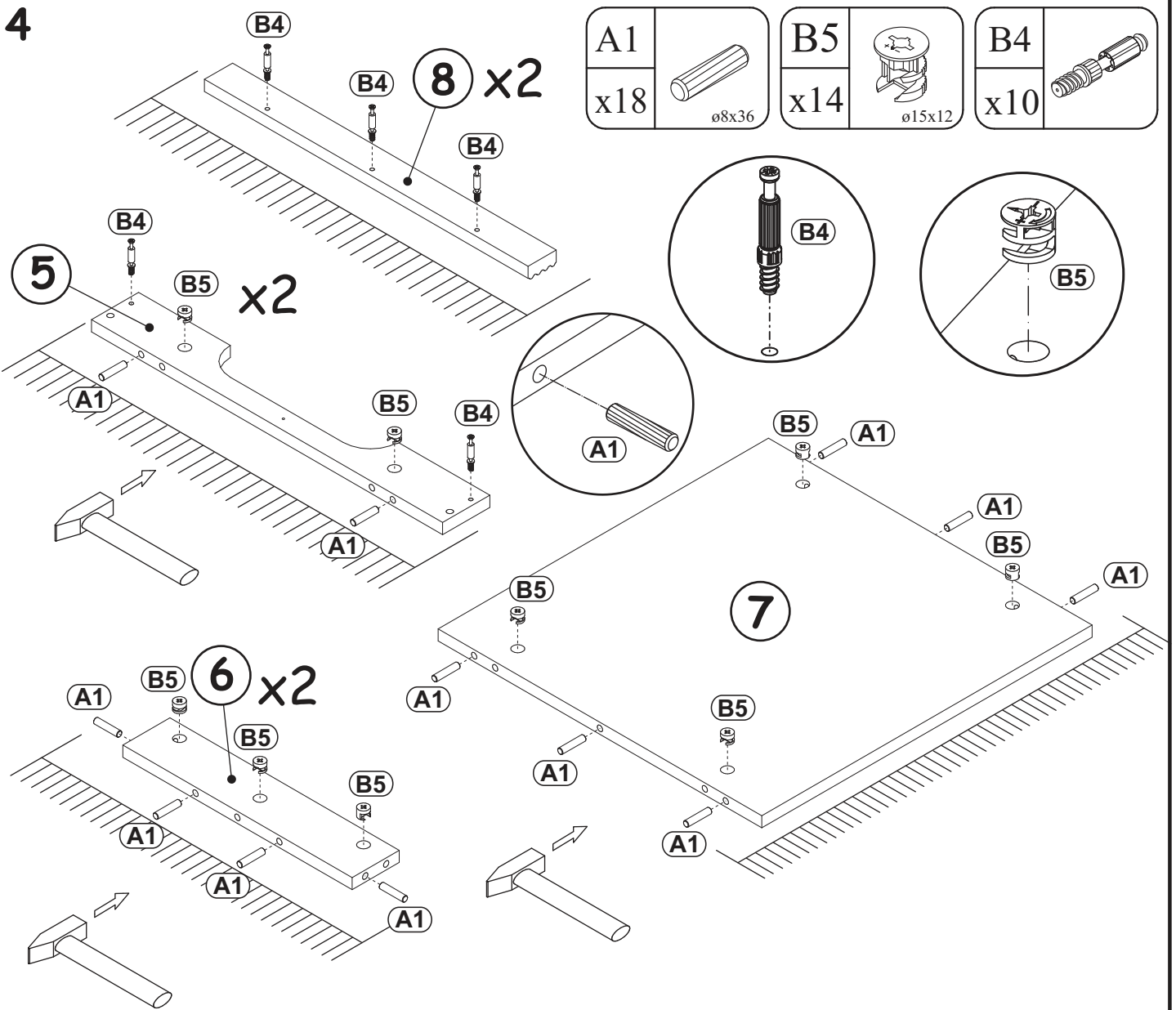
B4	
x2	



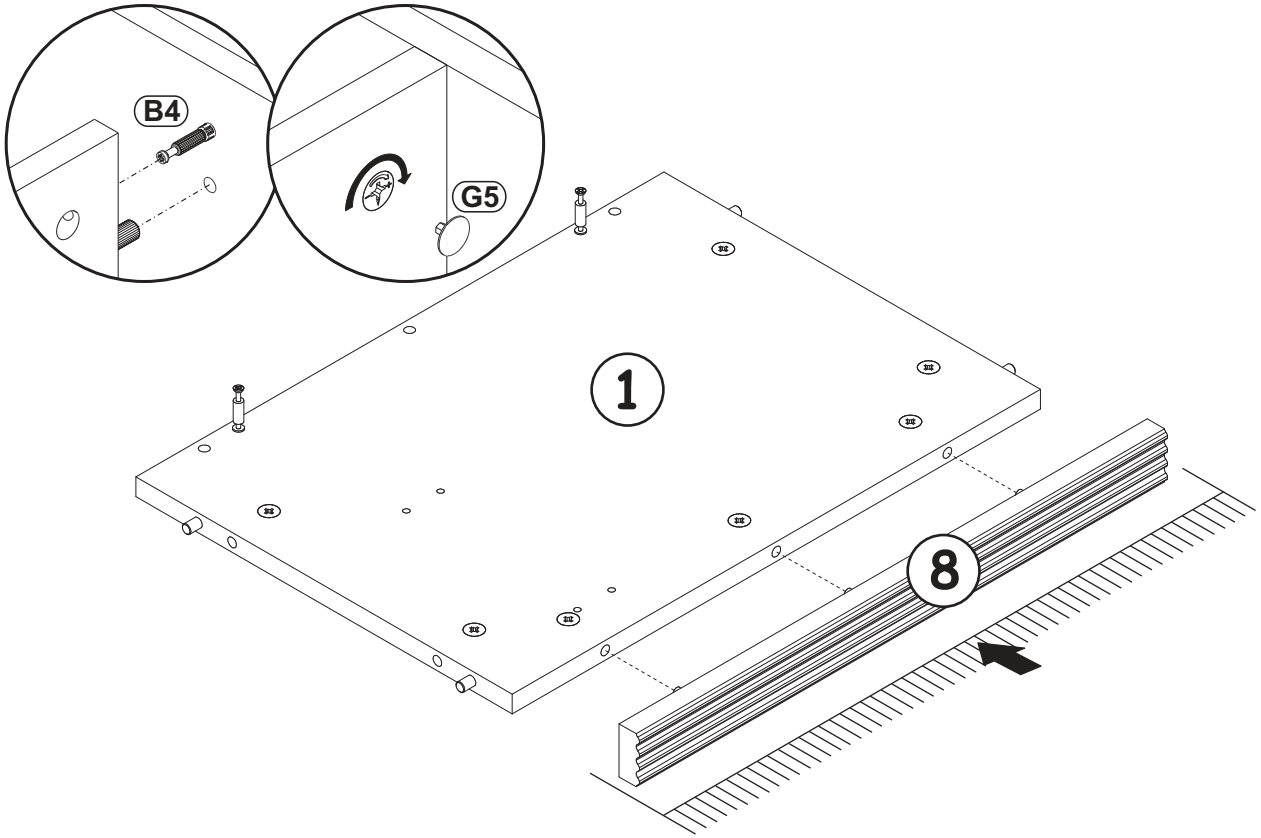
3



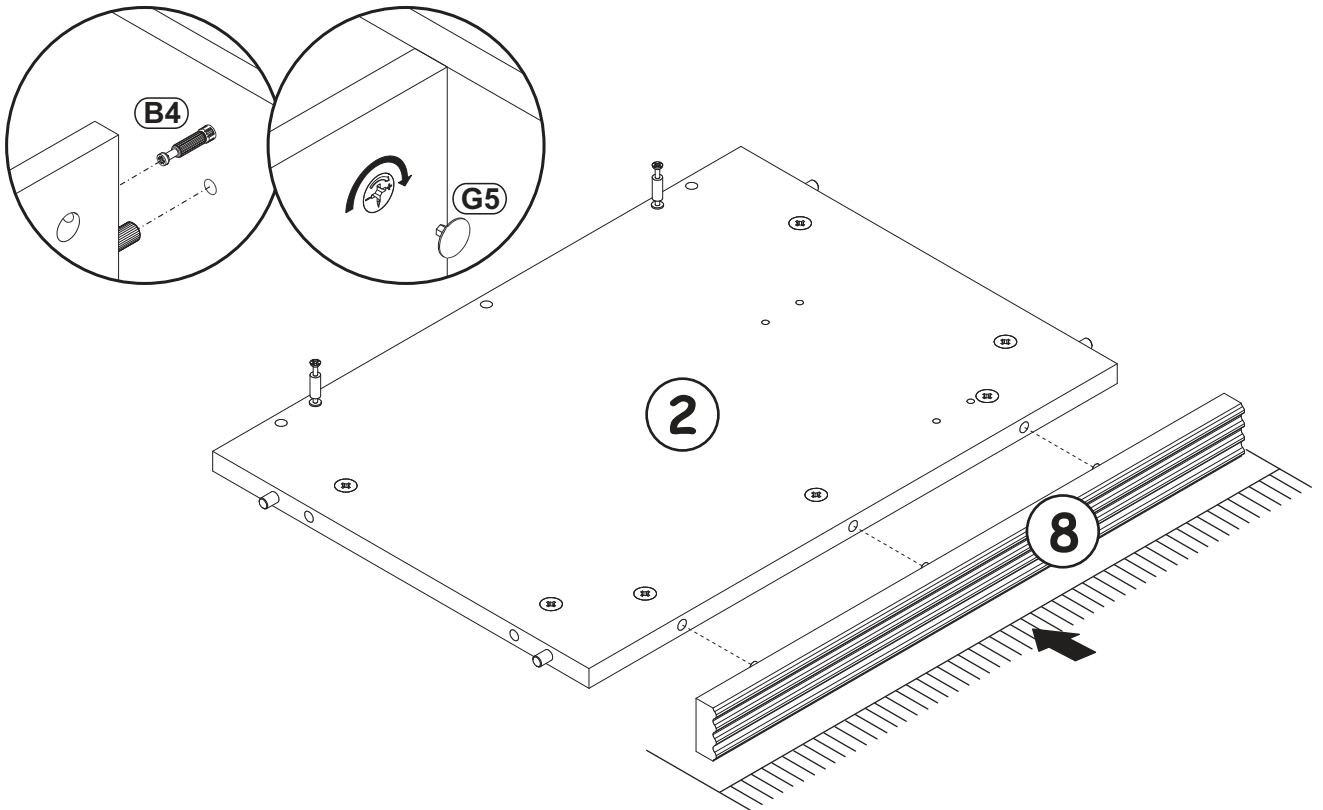
4

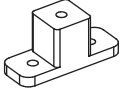



5

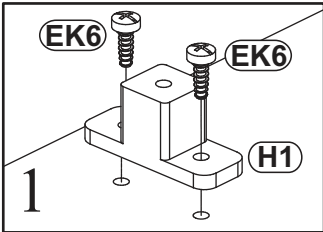
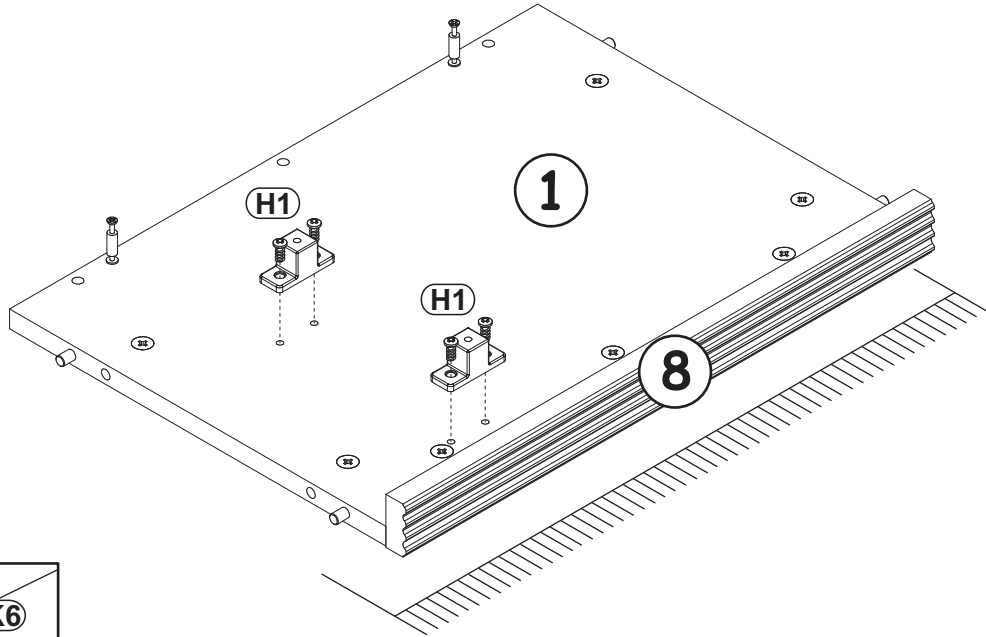


6

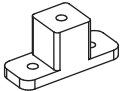
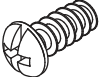


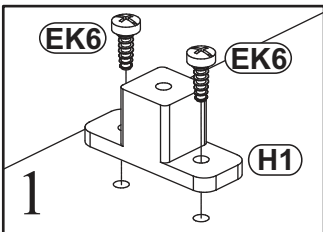
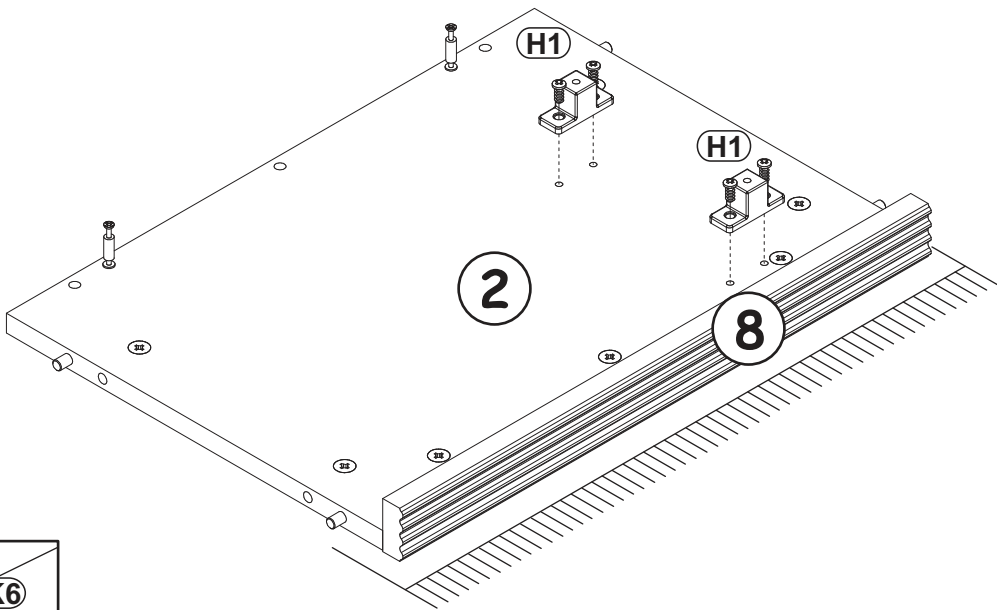
H1		EK6	
x2		x4	EKØ6,3x13

7



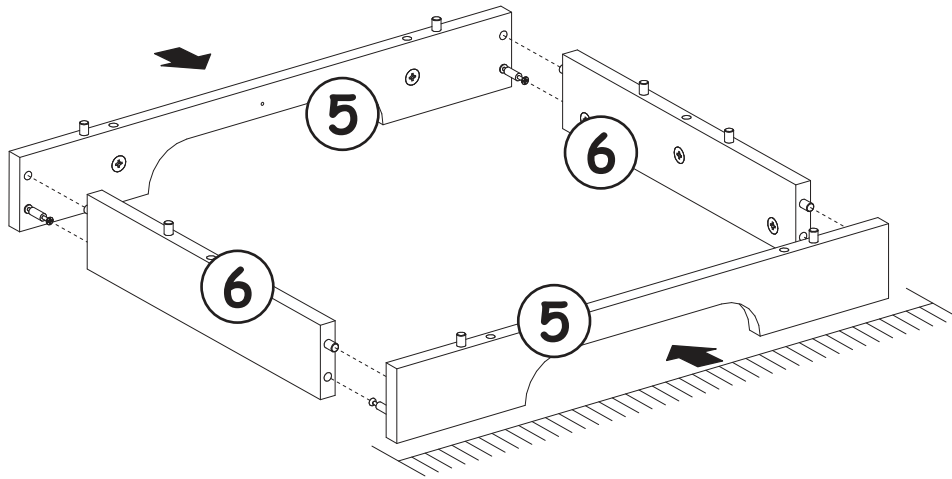
8


H1		EK6	
x2		x4	EKØ6,3x13



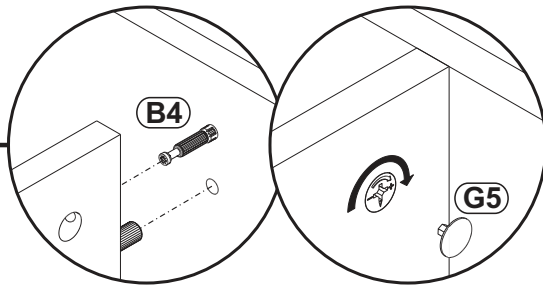


9

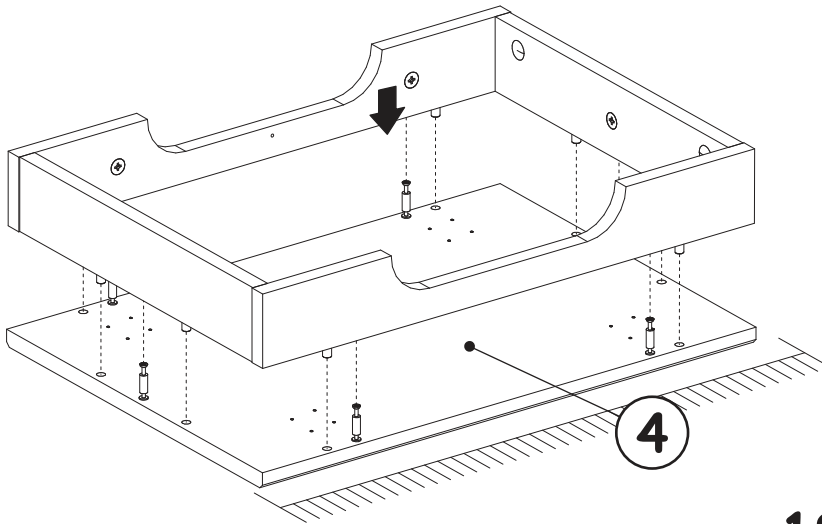



G5	
x4	

10



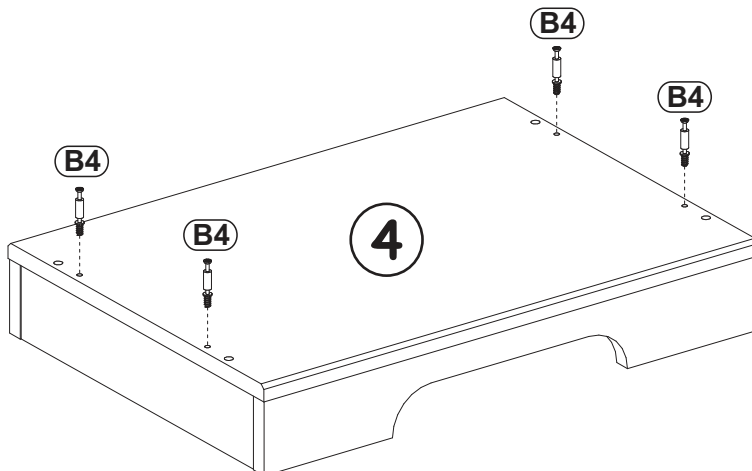
180°

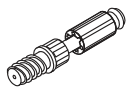


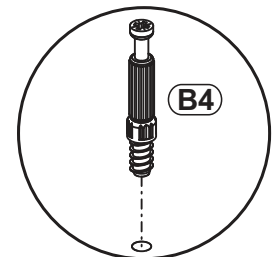
G5	
x6	

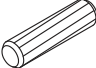
180°

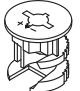
11



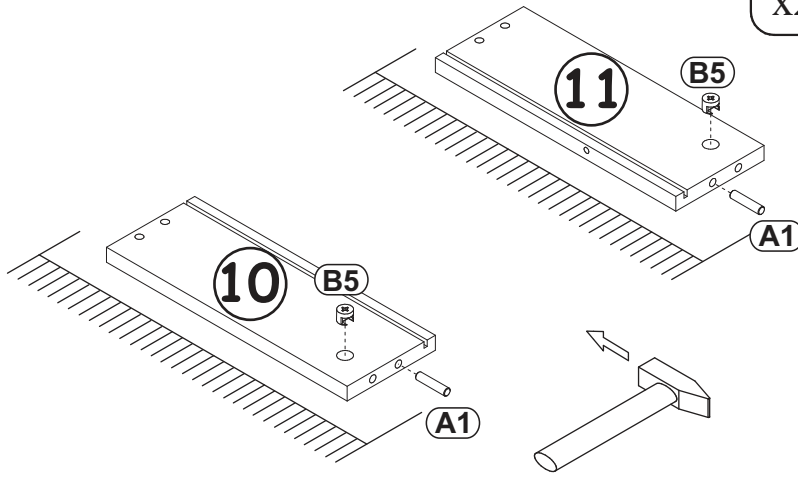
B4	
x4	



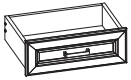
A1	
x2	ø8x36

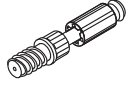
B5	
x2	ø15x12

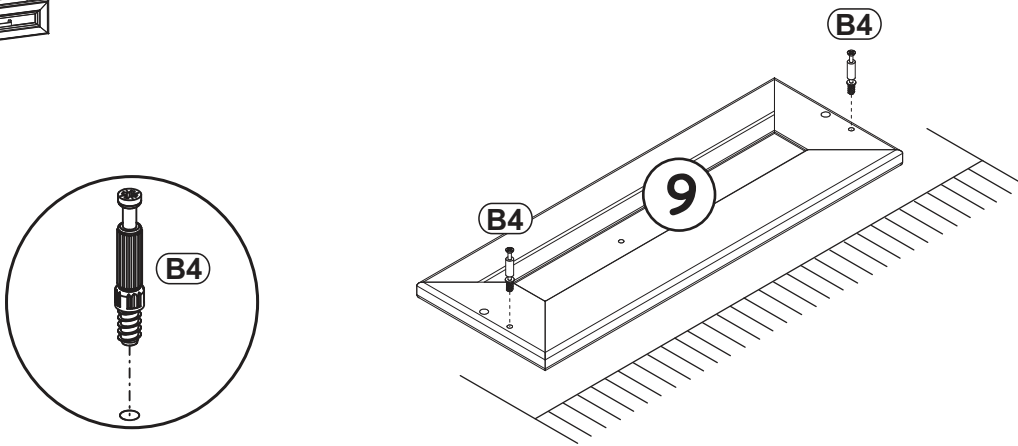
12



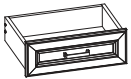
13




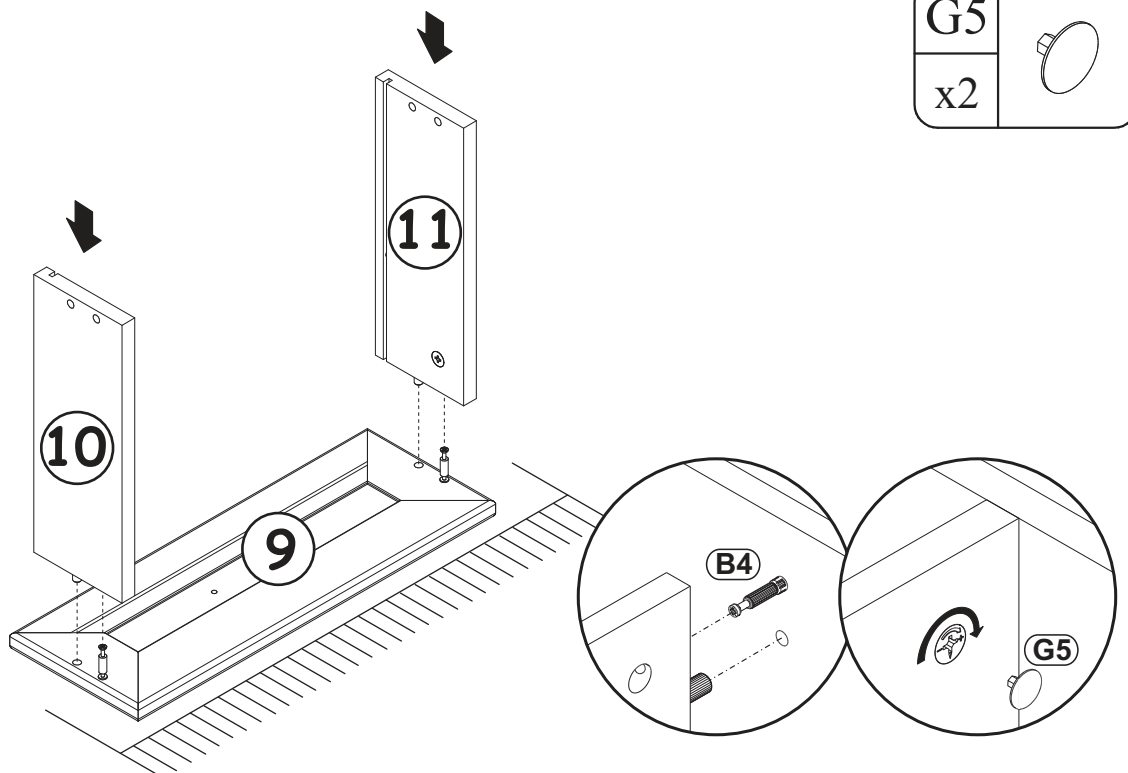
B4	
x2	



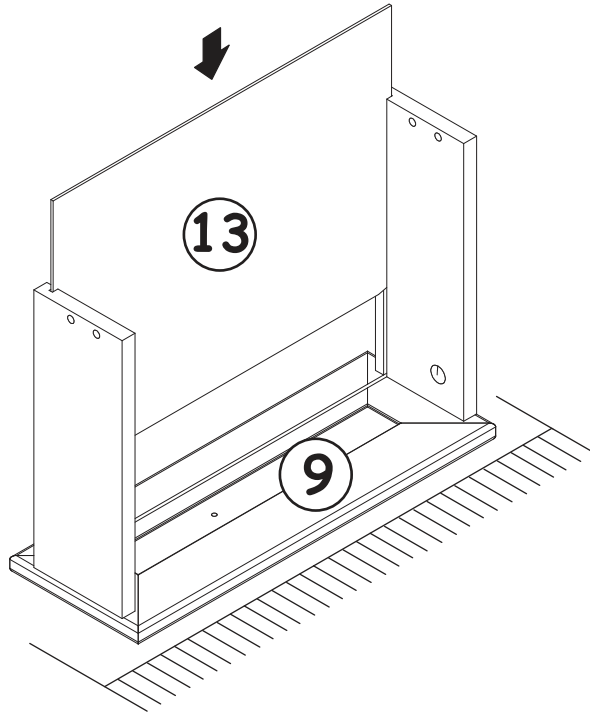
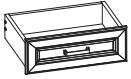
14



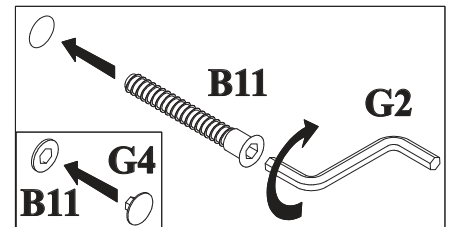
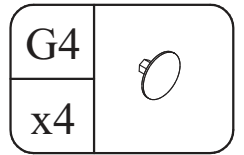
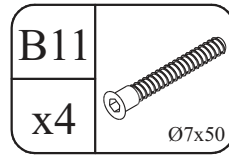
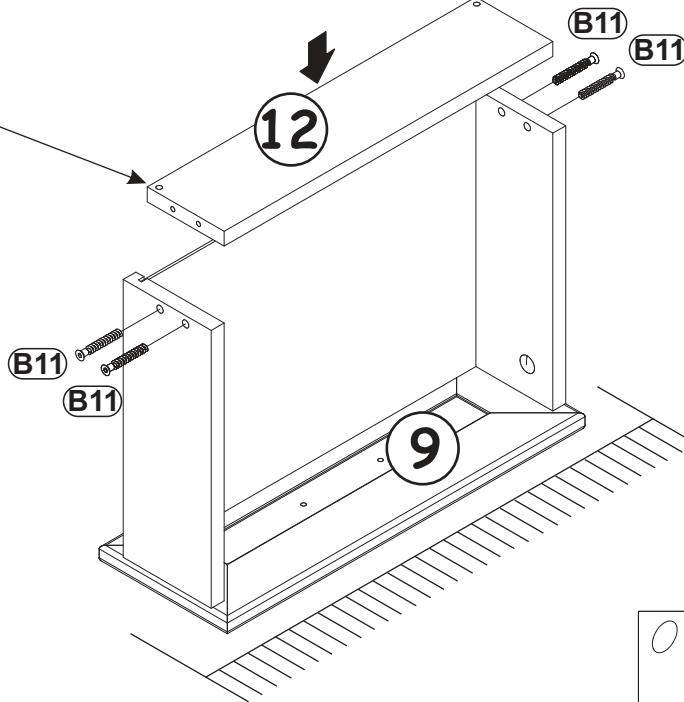
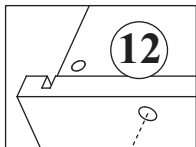
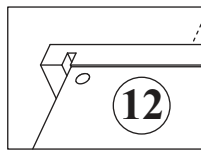
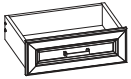
G5	
x2	



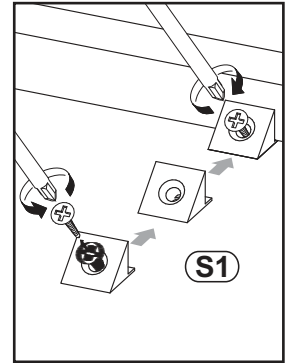
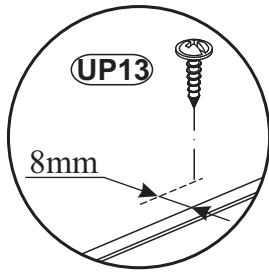
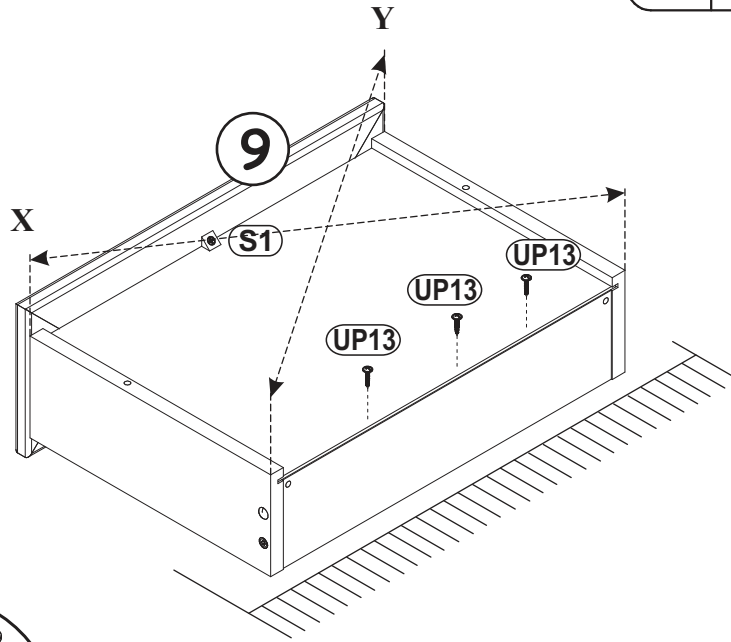
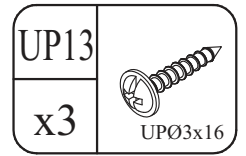
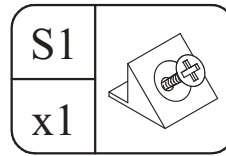
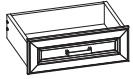
# 15



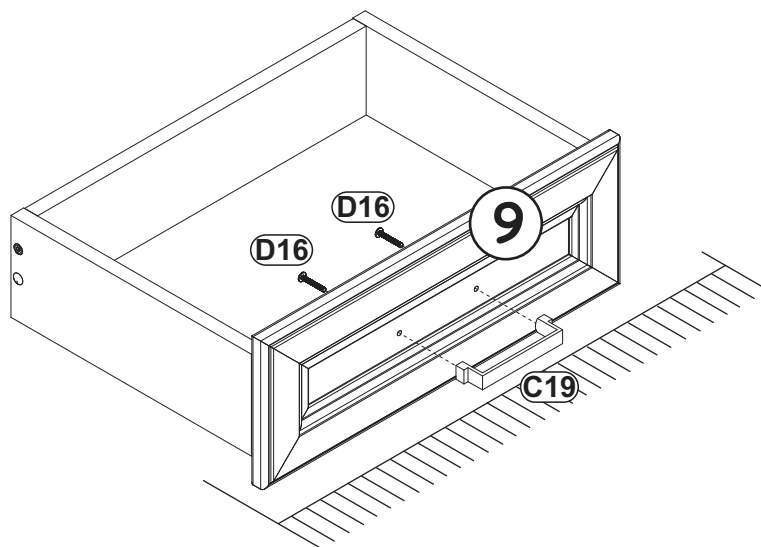
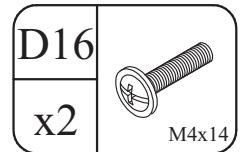
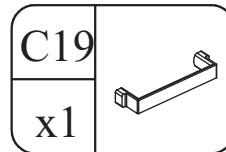
# 16




17

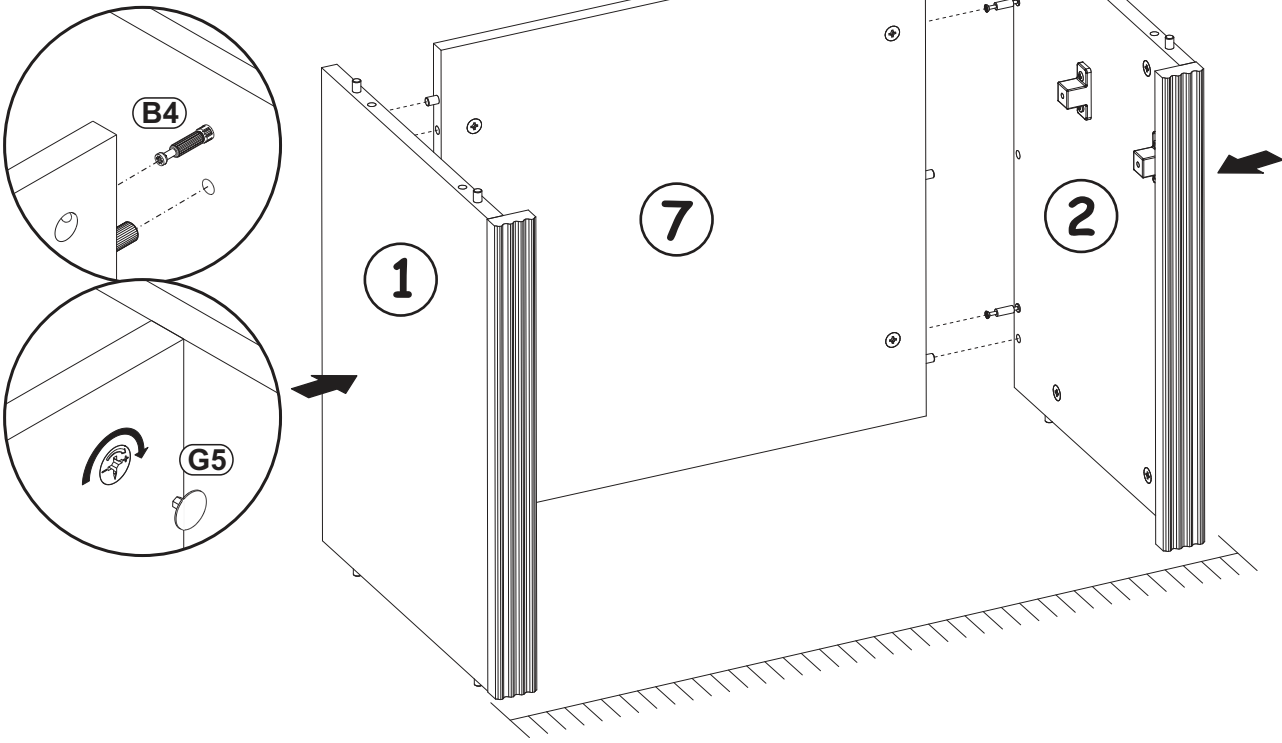


18




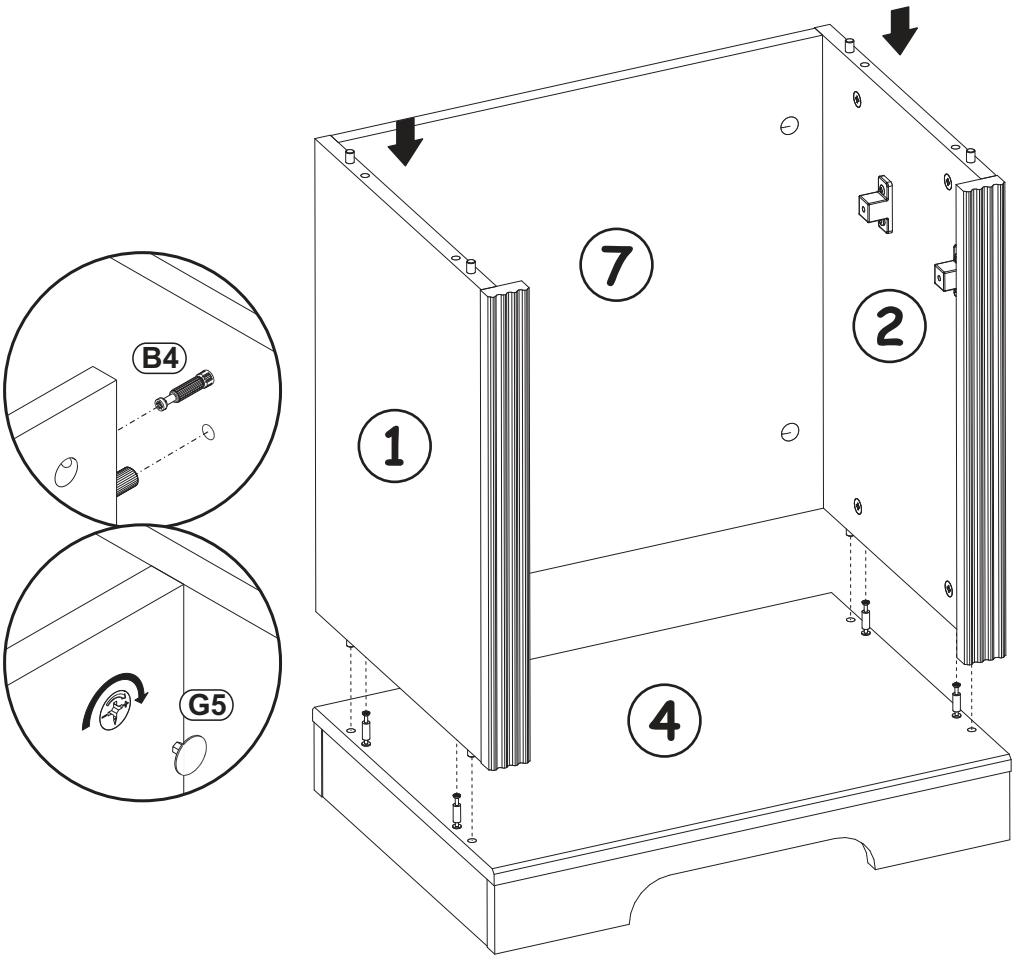
19

G5	
x4	




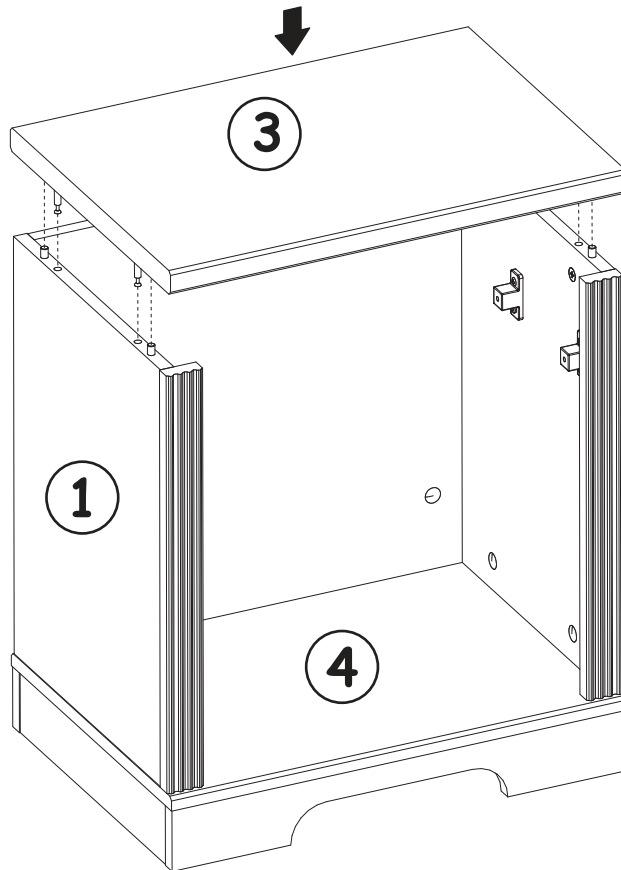
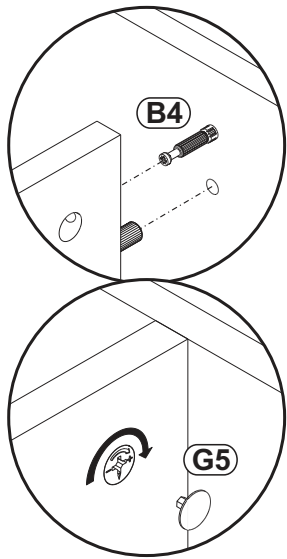
20

G5	
x4	



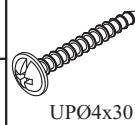
21

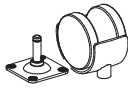
G5	
x4	

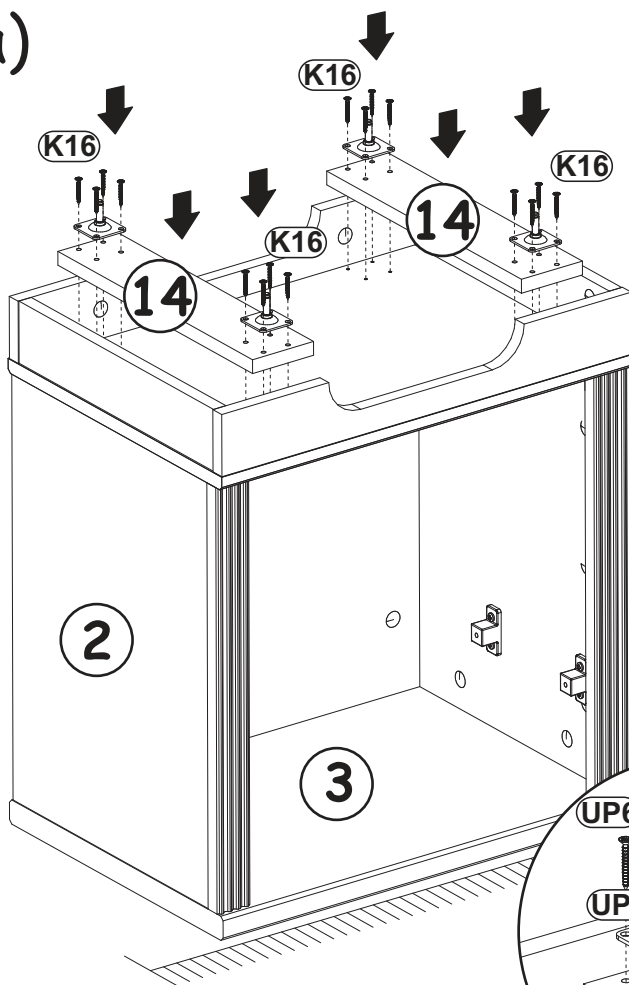


180°

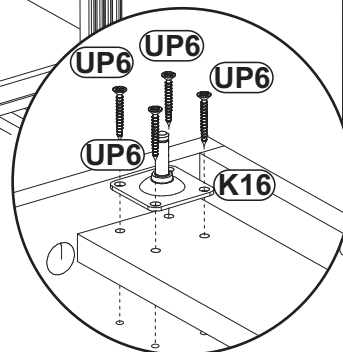
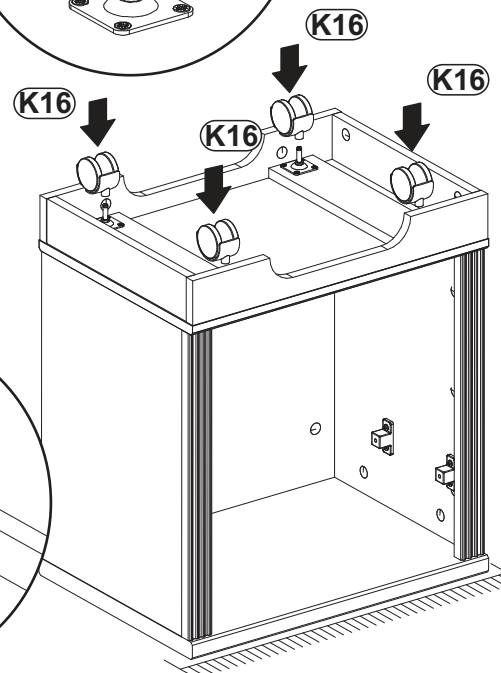
22 a)

UP6	
x16	UPØ4x30


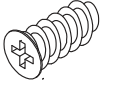
K16	
x4	Ø50 H-65

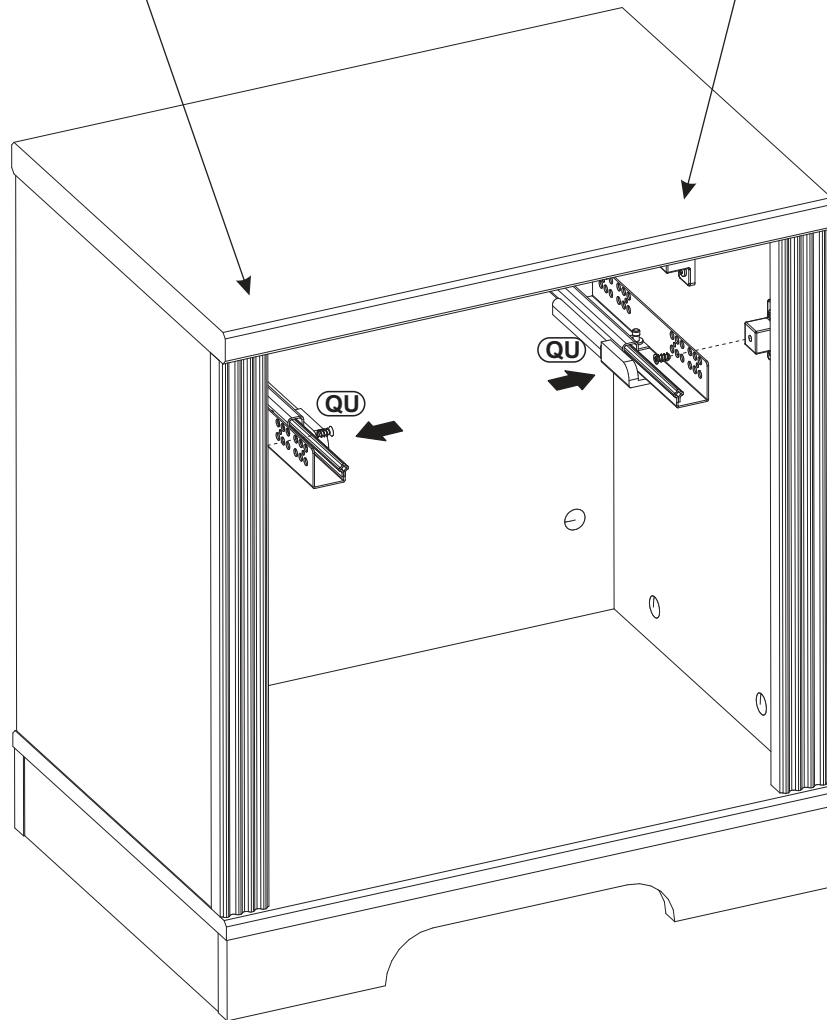
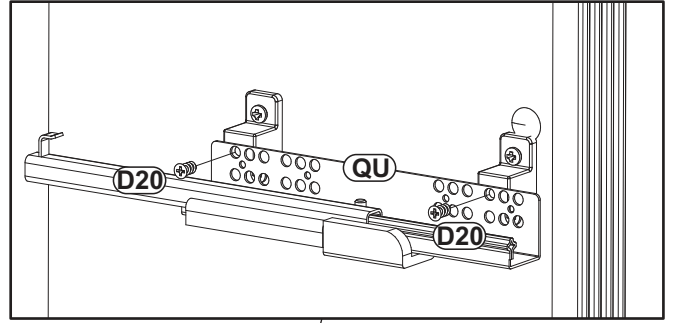
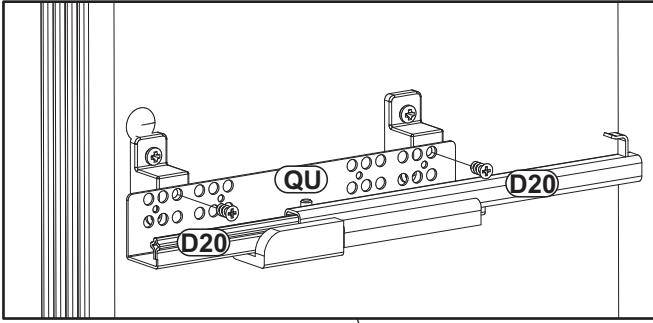


b)

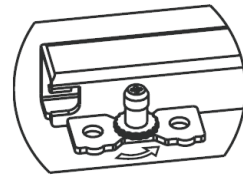
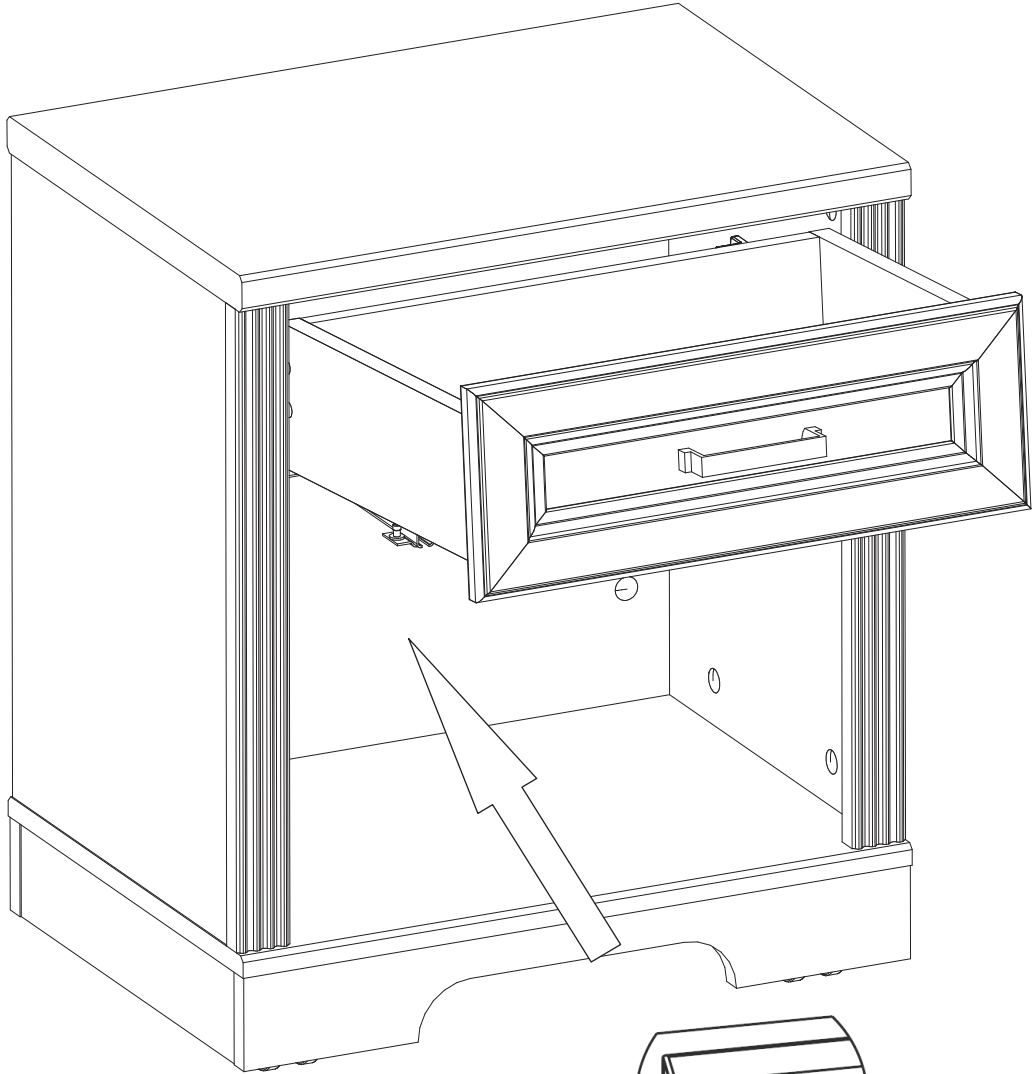
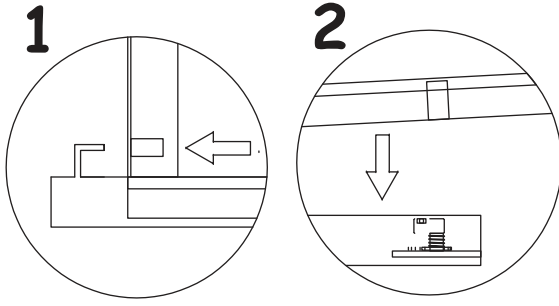


23

QU		D20	
x1	L-300	x4	ESØ6x9,5



24



↑ +4 mm