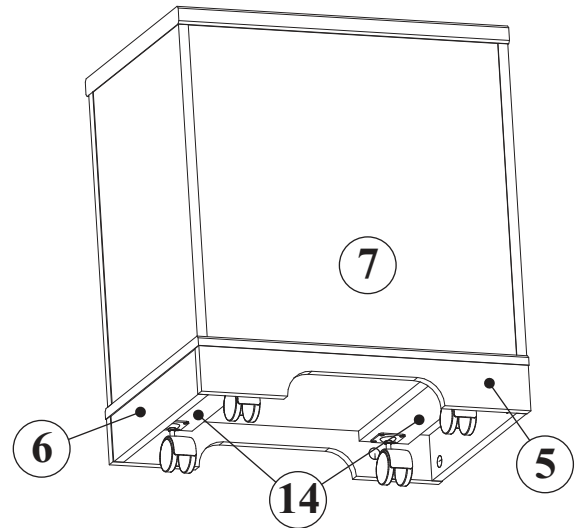
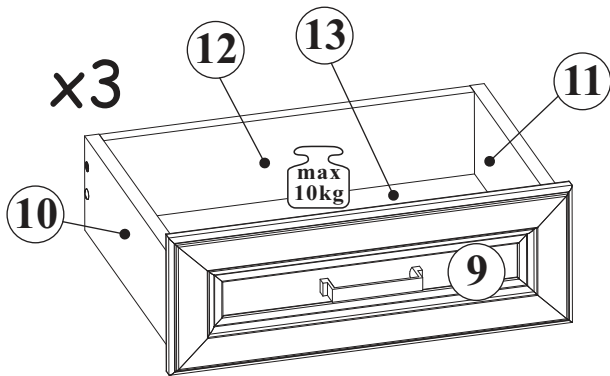
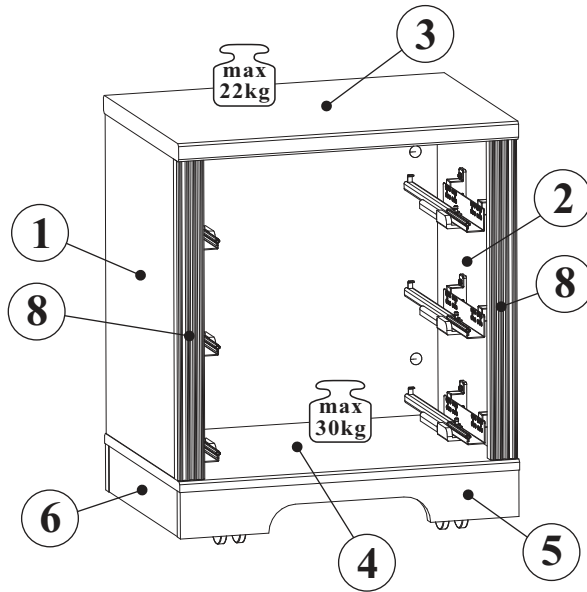
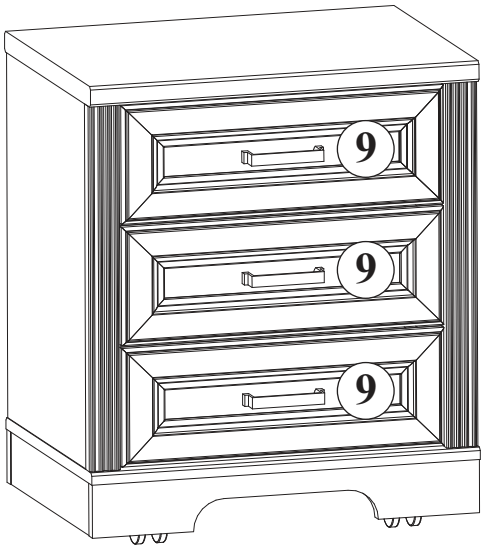
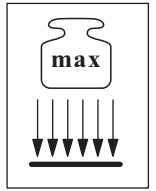
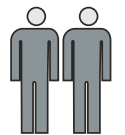


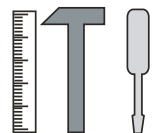
# JASMIN 5K 21--16

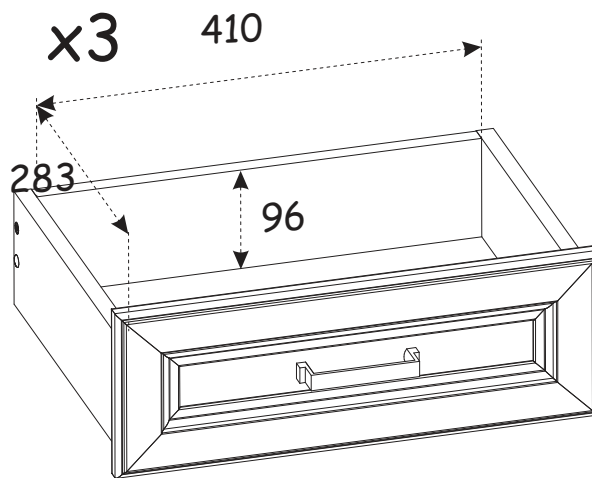
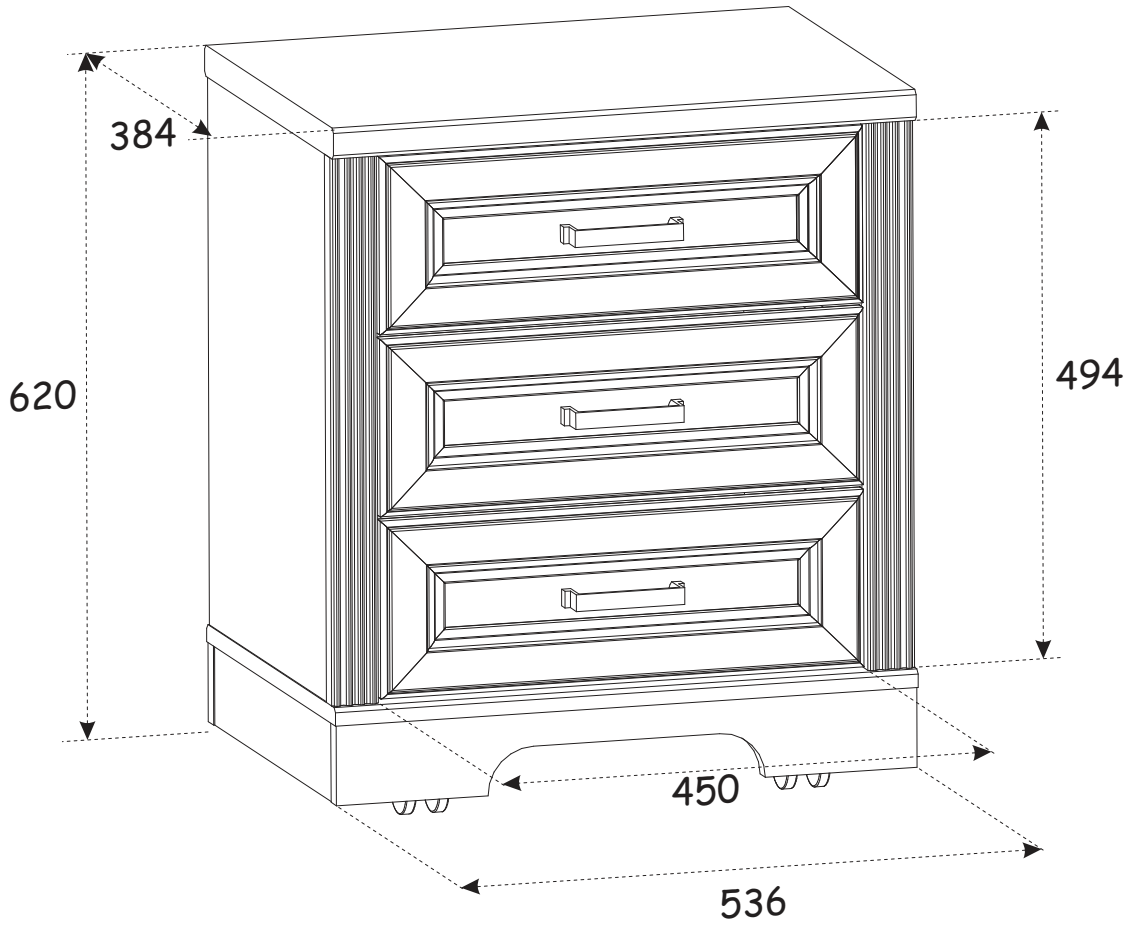


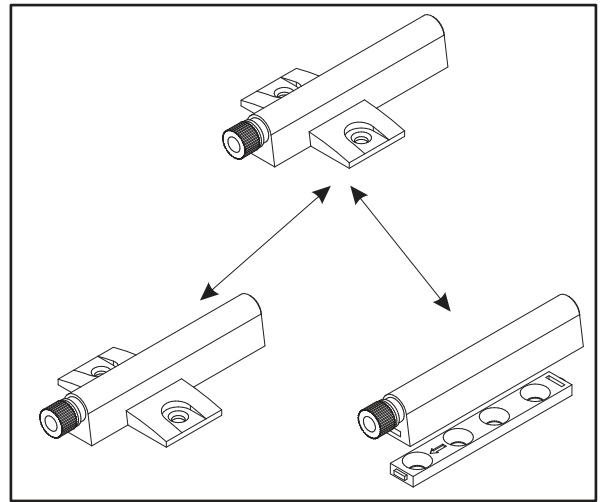
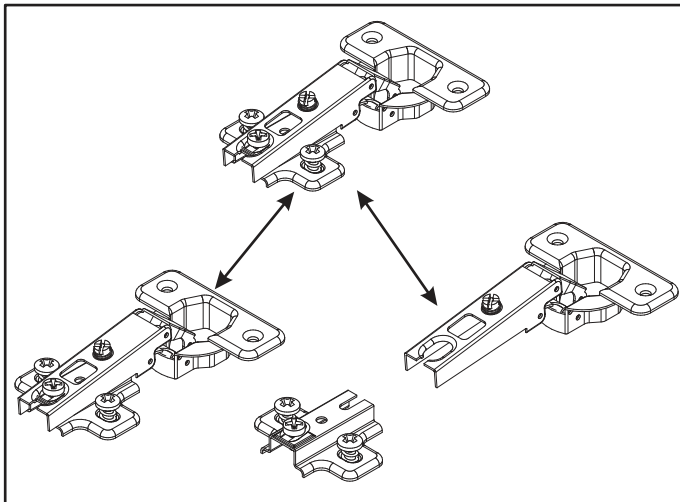
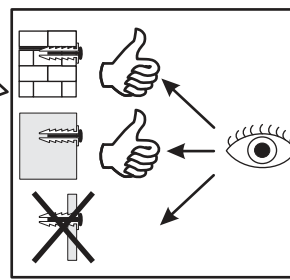
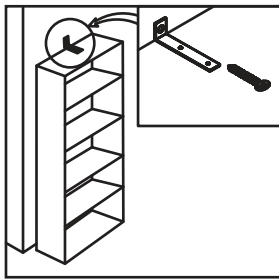
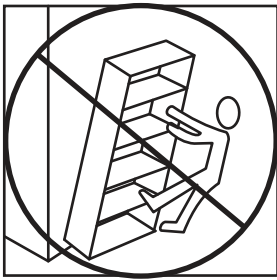
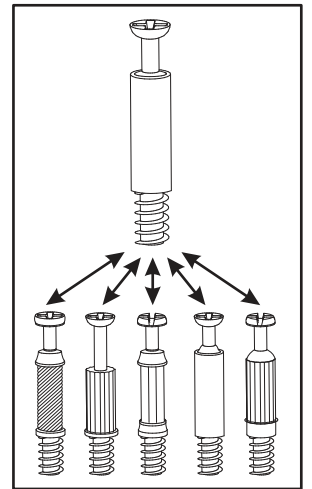
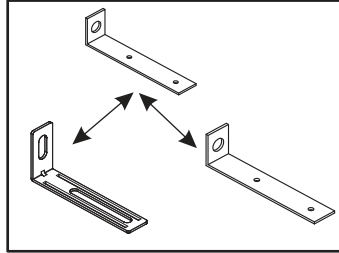
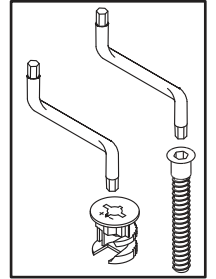
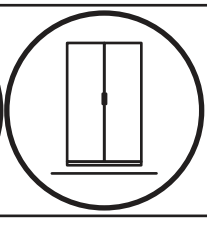
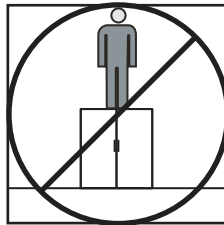
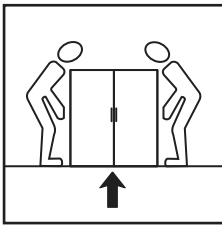
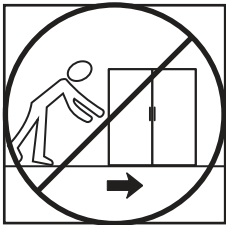
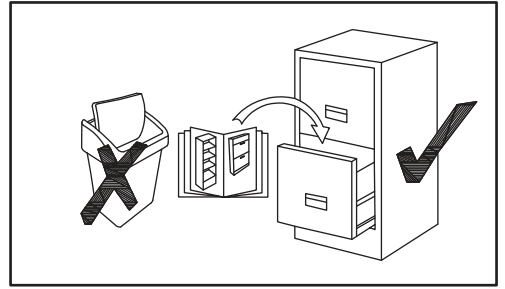
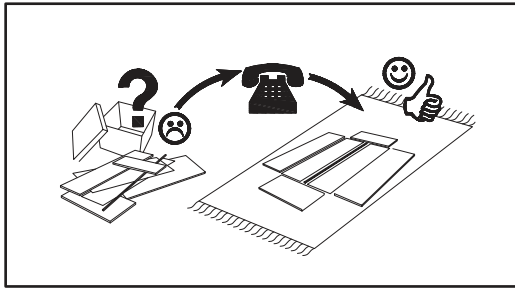
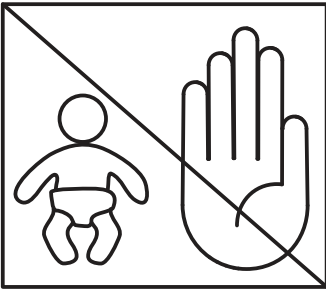
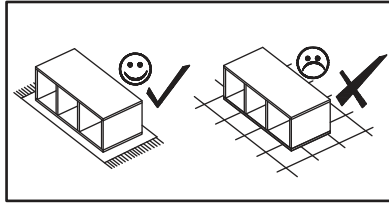
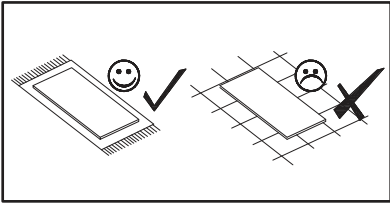
NO	Dim.			Col.-No	Qty
1	494	352	16	1	1
2	494	352	16	1	1
4	538	384	16	1	1
3	538	384	28	1	1
7	494	504	16	1	1
8	494	43	19	1	2
5	536	72	16	1	2
6	350	72	16	1	2
9	446	160	22	1	3
10	300	110	16	1	3
11	300	110	16	1	3
12	410	96	16	1	3
13	304	422	3	1	3
14	348	80	16	1	2



180 min

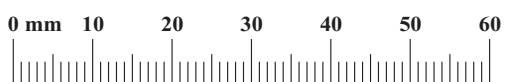




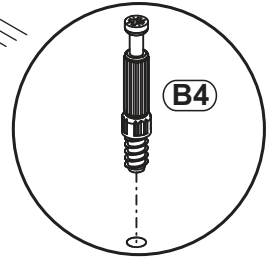
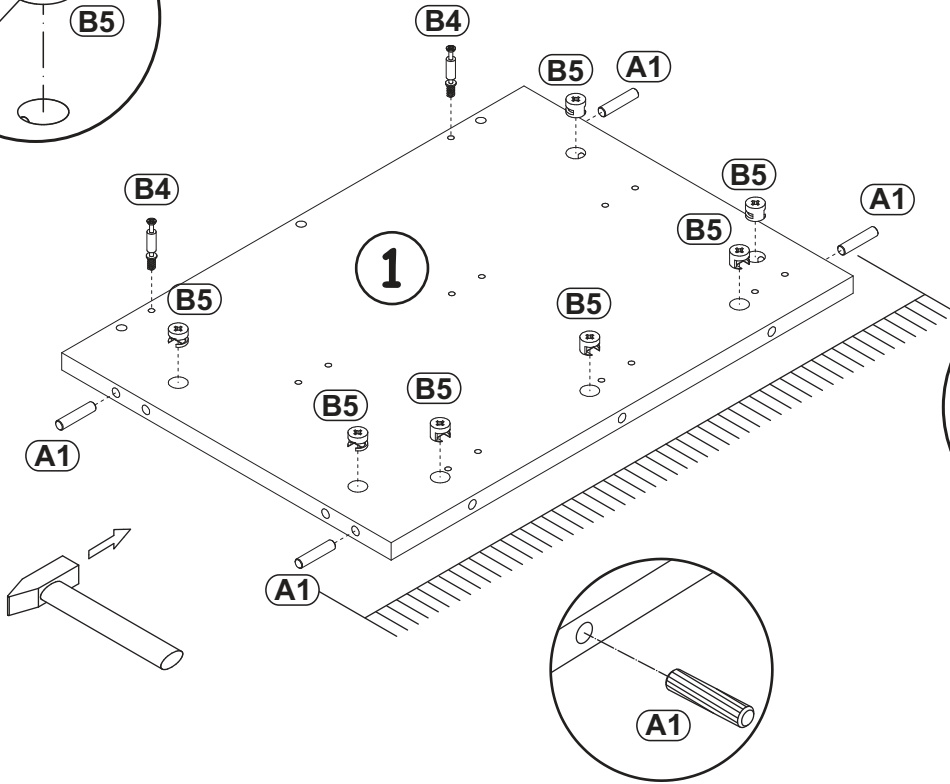
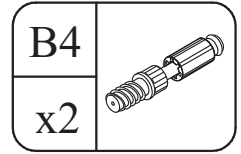
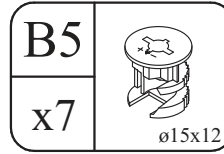
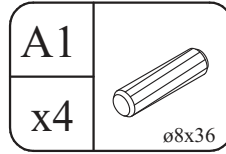
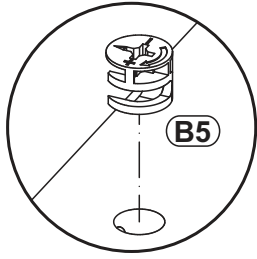


JASMIN 5K 21 -- 16

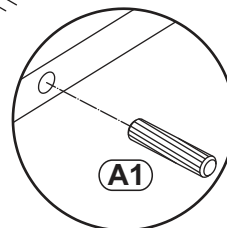
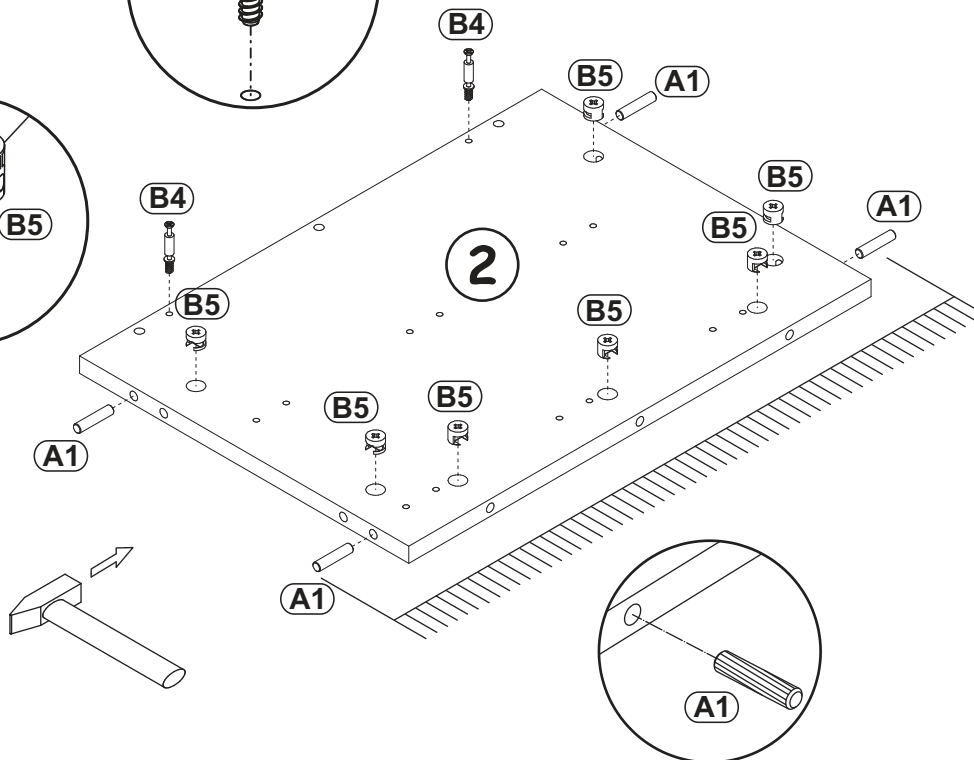
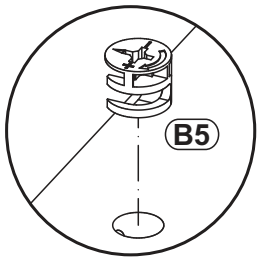
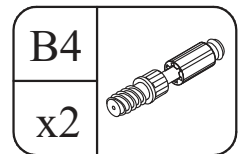
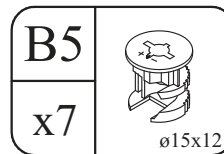
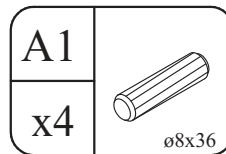
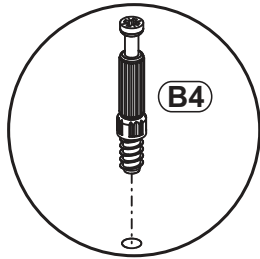
A1 x32 ø8x36	B4 x34	B5 x34 ø15x12	G5 x34	B11 x12 ø7x50	G4 x12
H1 x12	S1 x3	K16 x4 Ø50 H-65	QU x3 L-300	C19 x3	D16 x6 M4x14
D20 x12 ESØ6x9,5	EK6 x24 EKØ6,3x13	UP13 x9 UPØ3x16	UP6 x16 UPØ4x30	G2 x1	



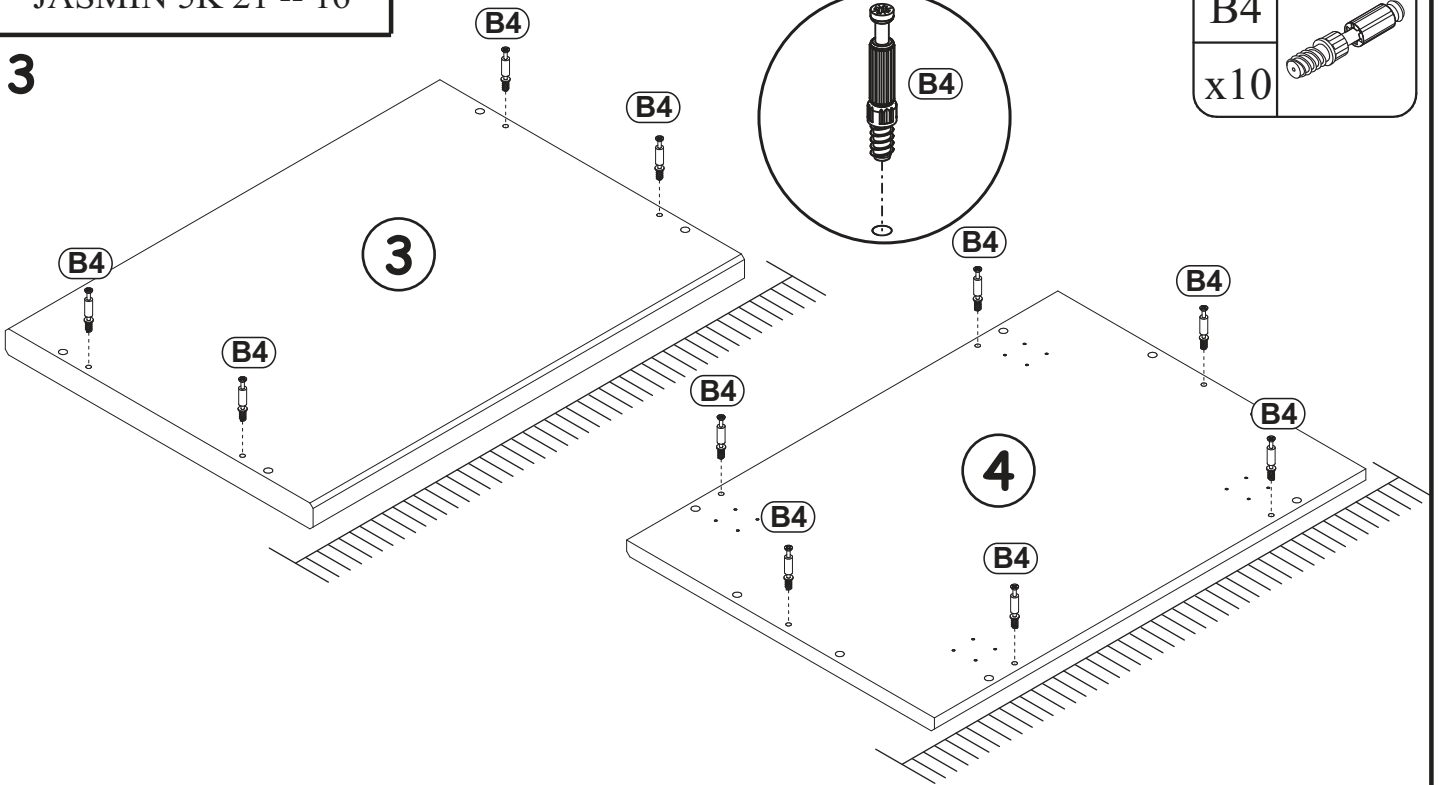
1



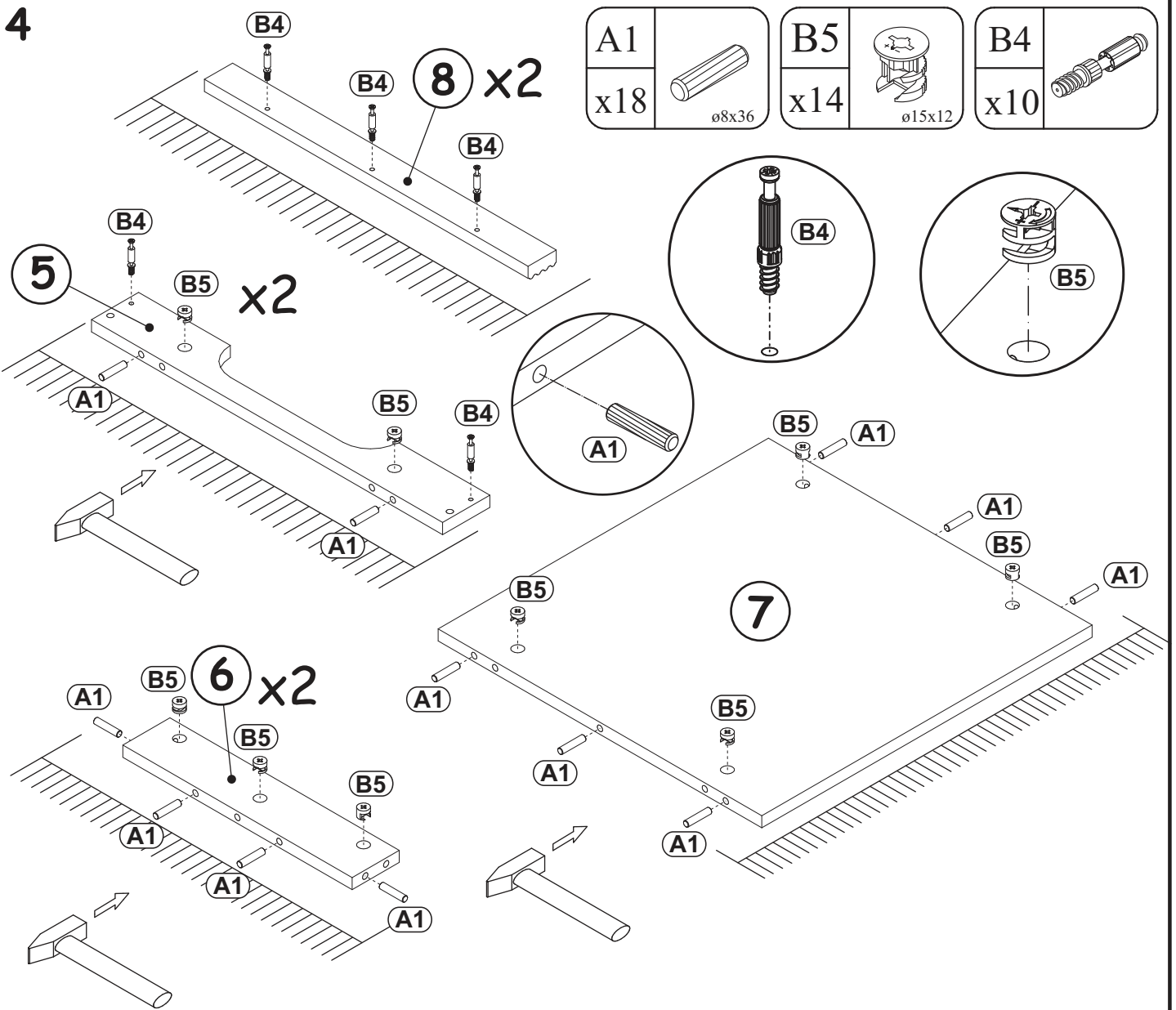
2



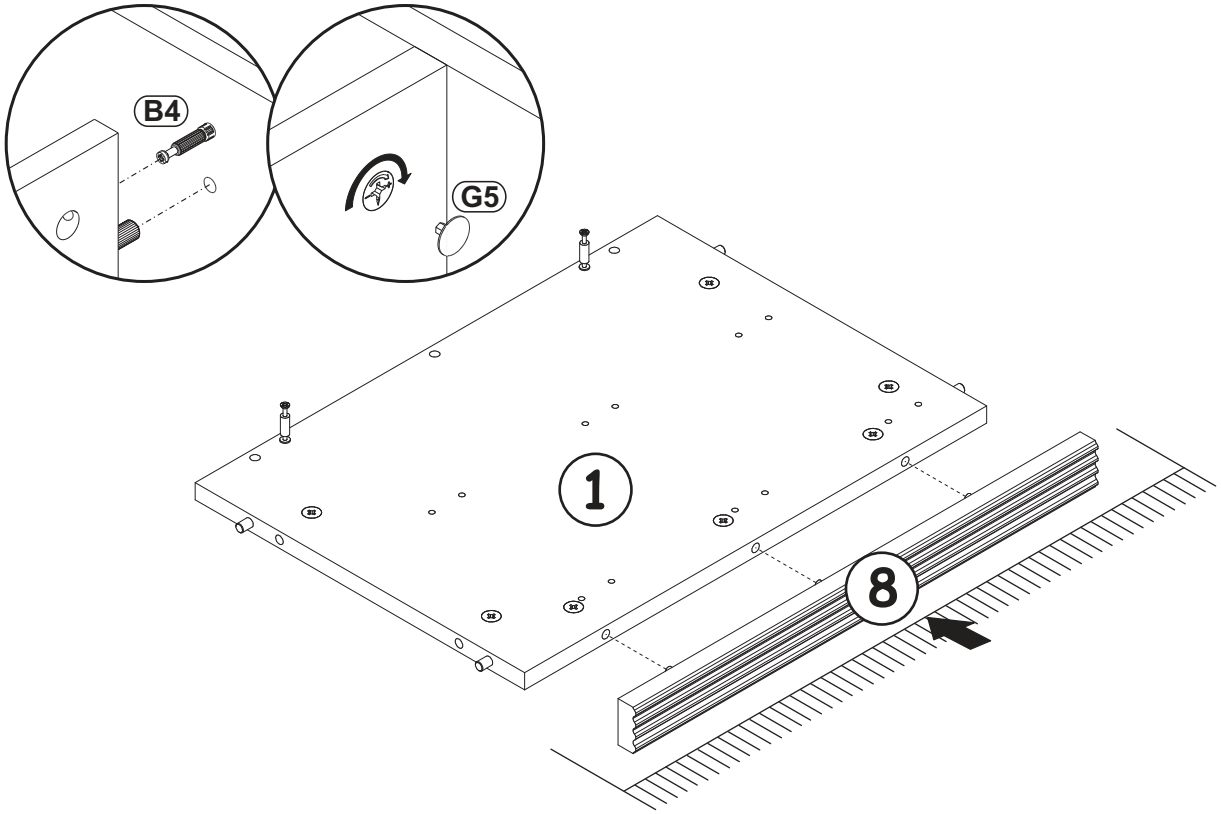
3



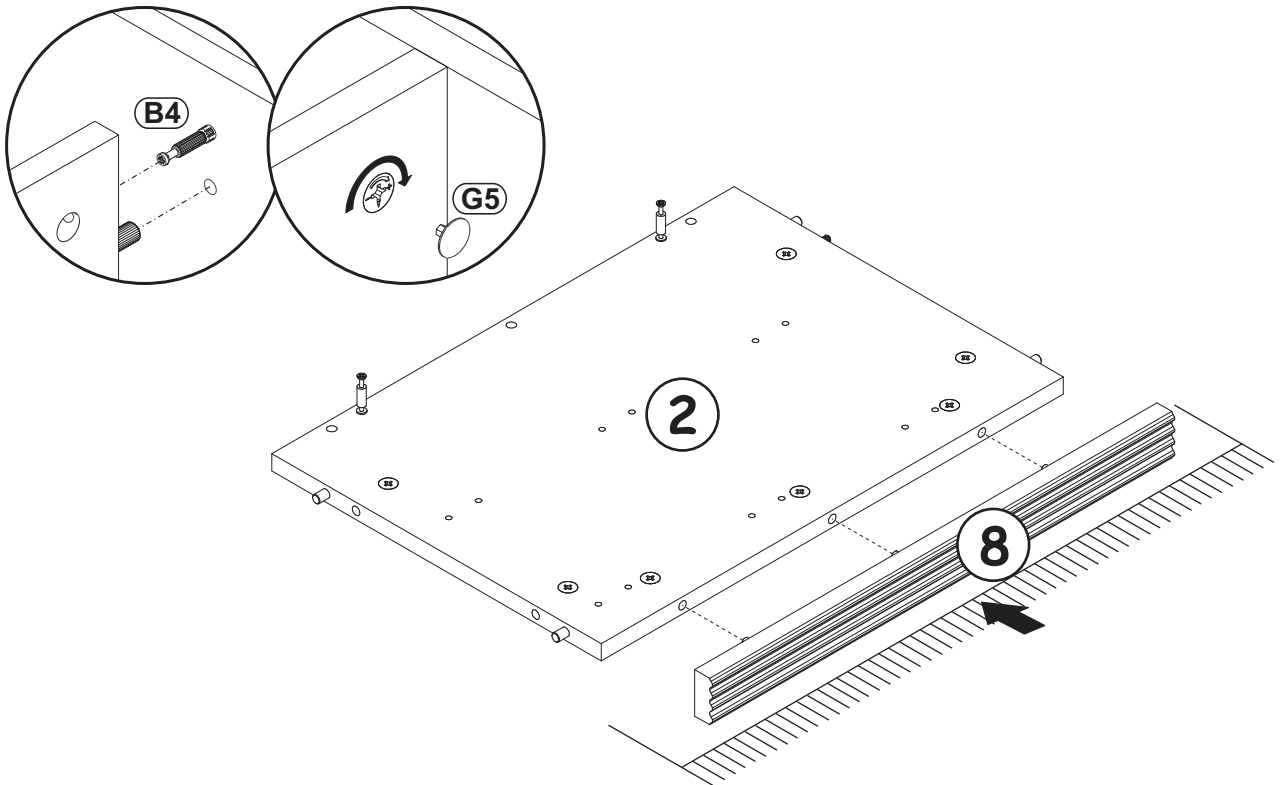
4

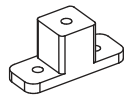
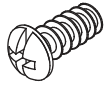


5

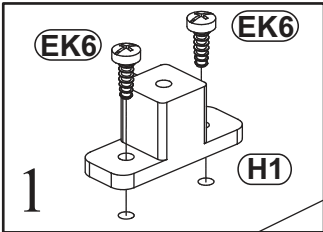
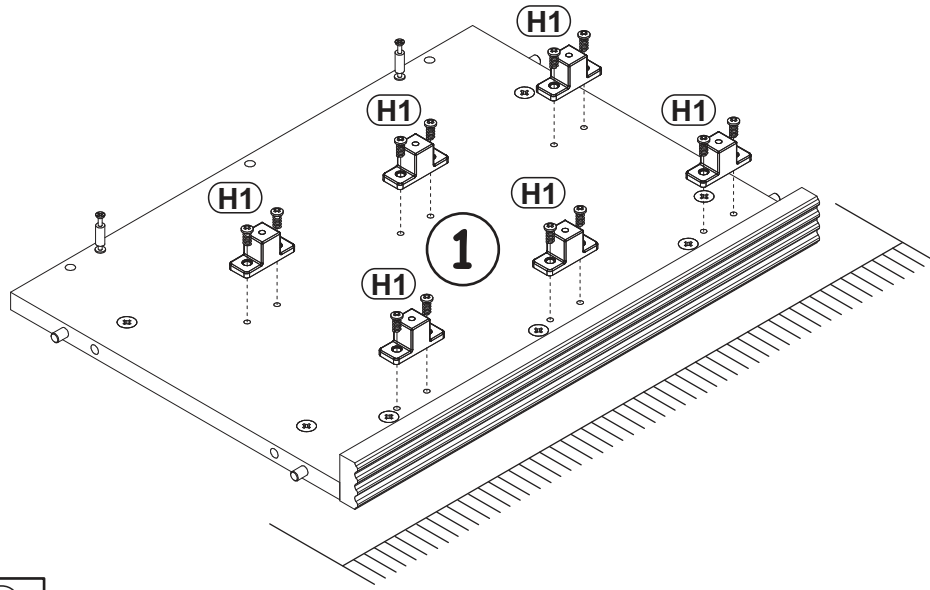


6

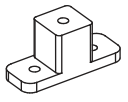
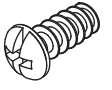


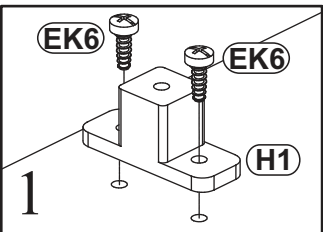
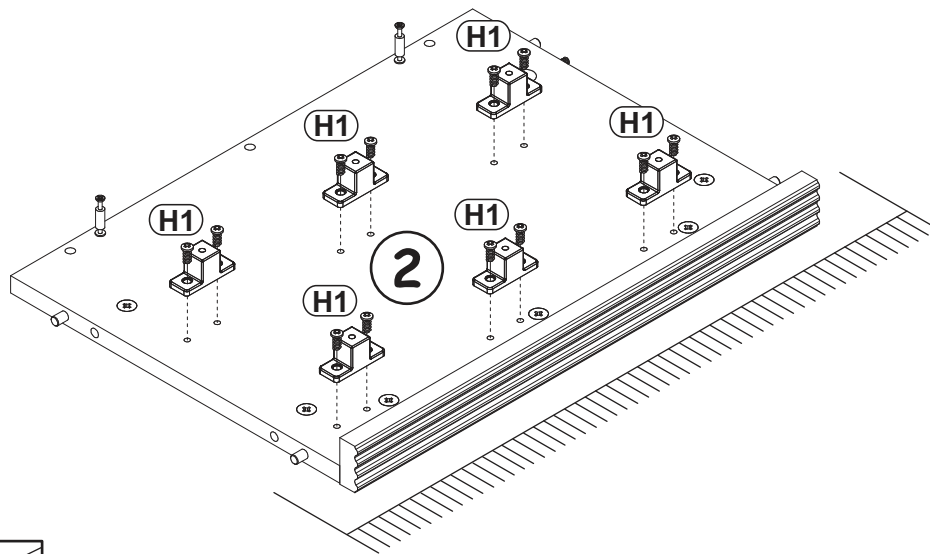
H1		EK6	
x6		x12	EKØ6,3x13

7



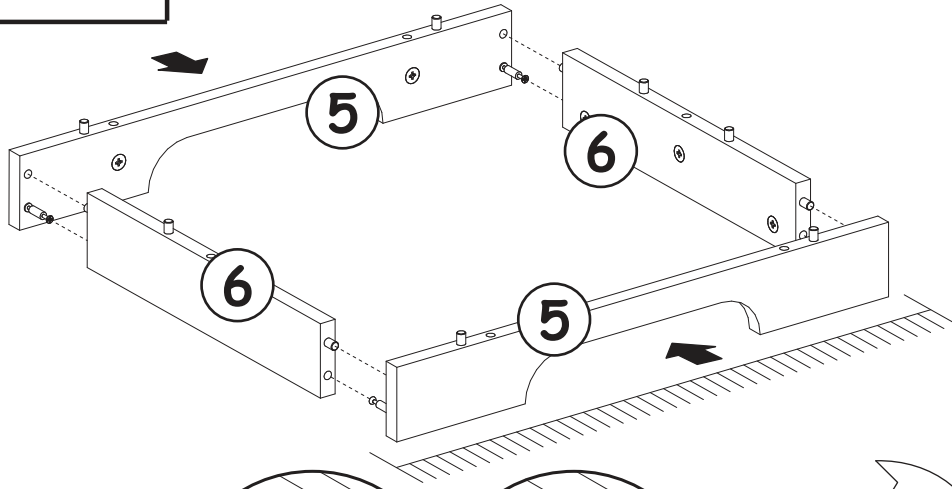
8


H1		EK6	
x6		x12	EKØ6,3x13

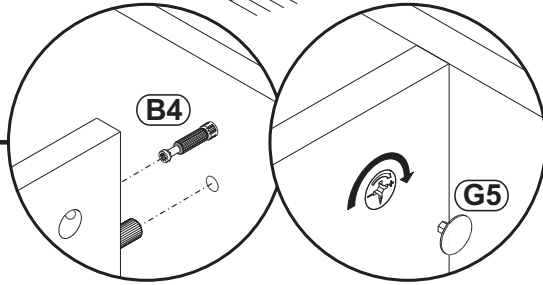




9

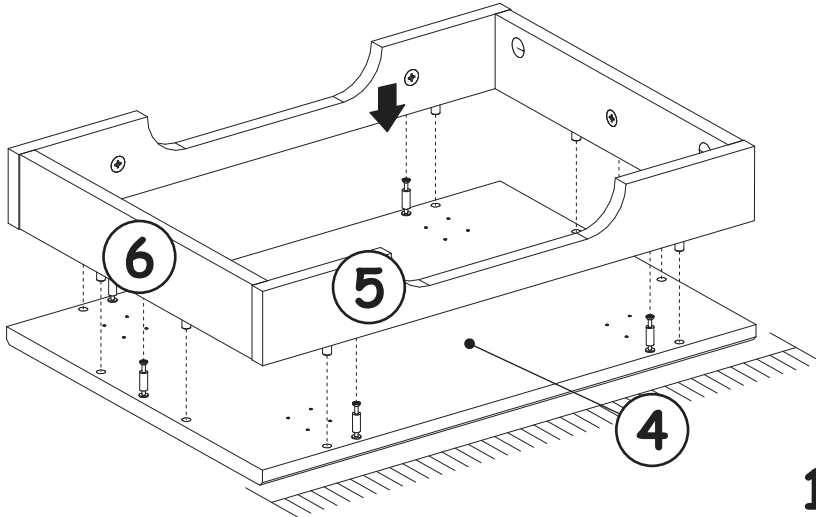



G5	
x4	



180°

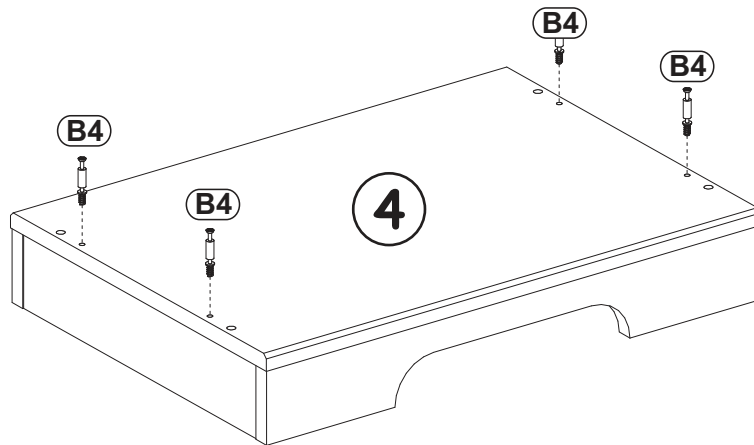
10

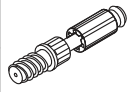


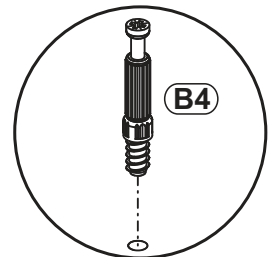
G5	
x6	

180°

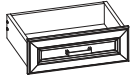
11



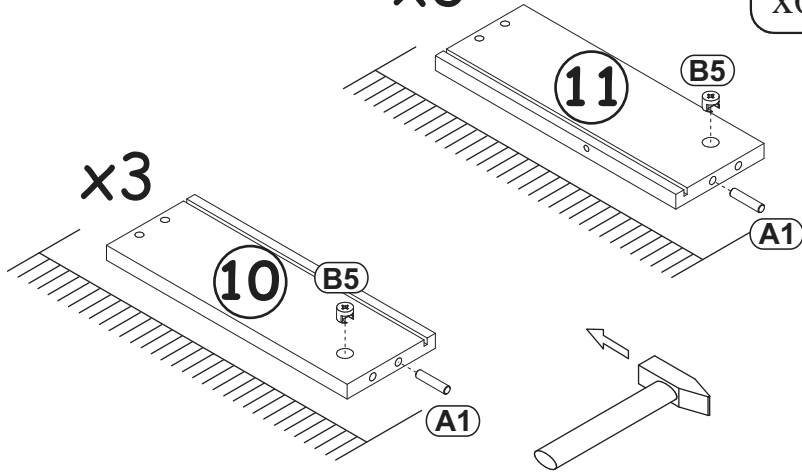
B4	
x4	



12

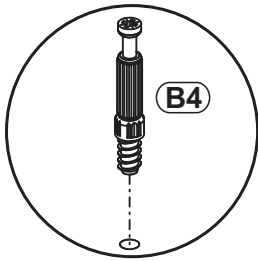
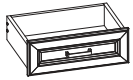


x3

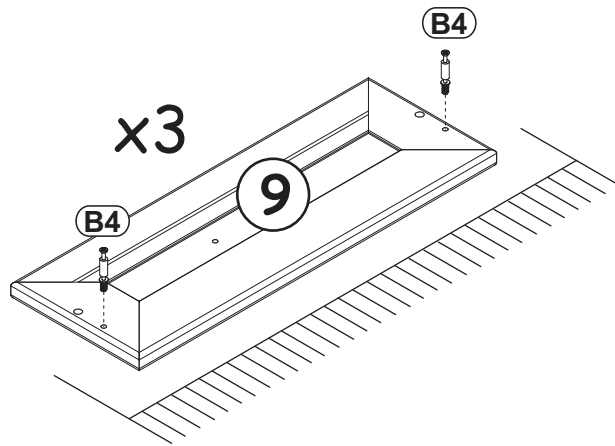


A1		B5	
x6	ø8x36	x6	ø15x12

13

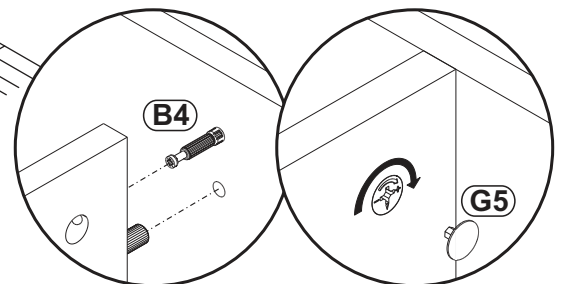
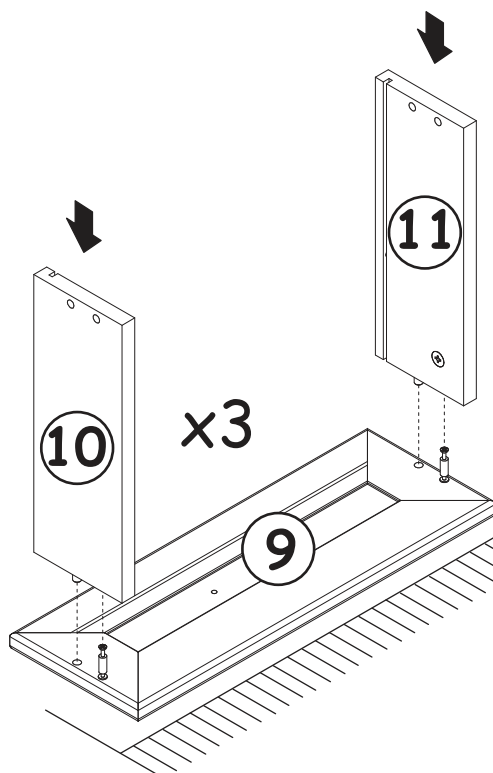


x3



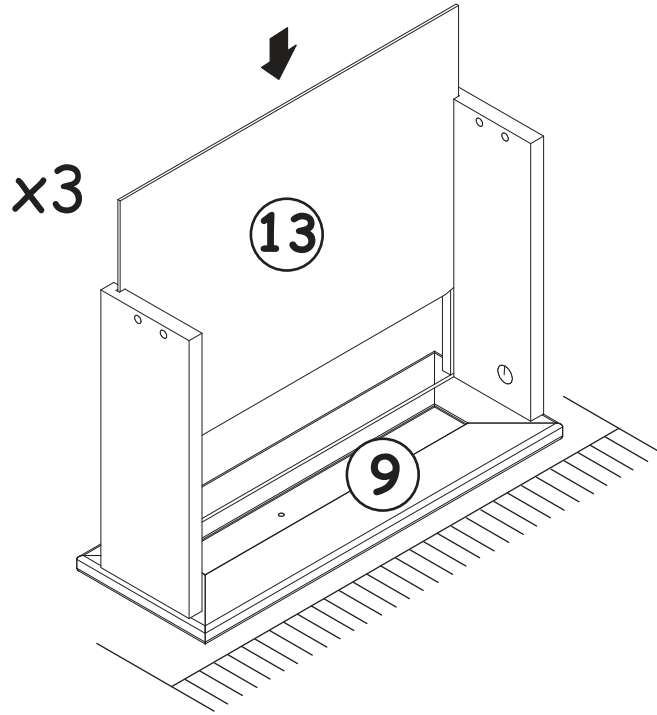
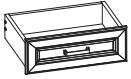
B4	
x6	

14

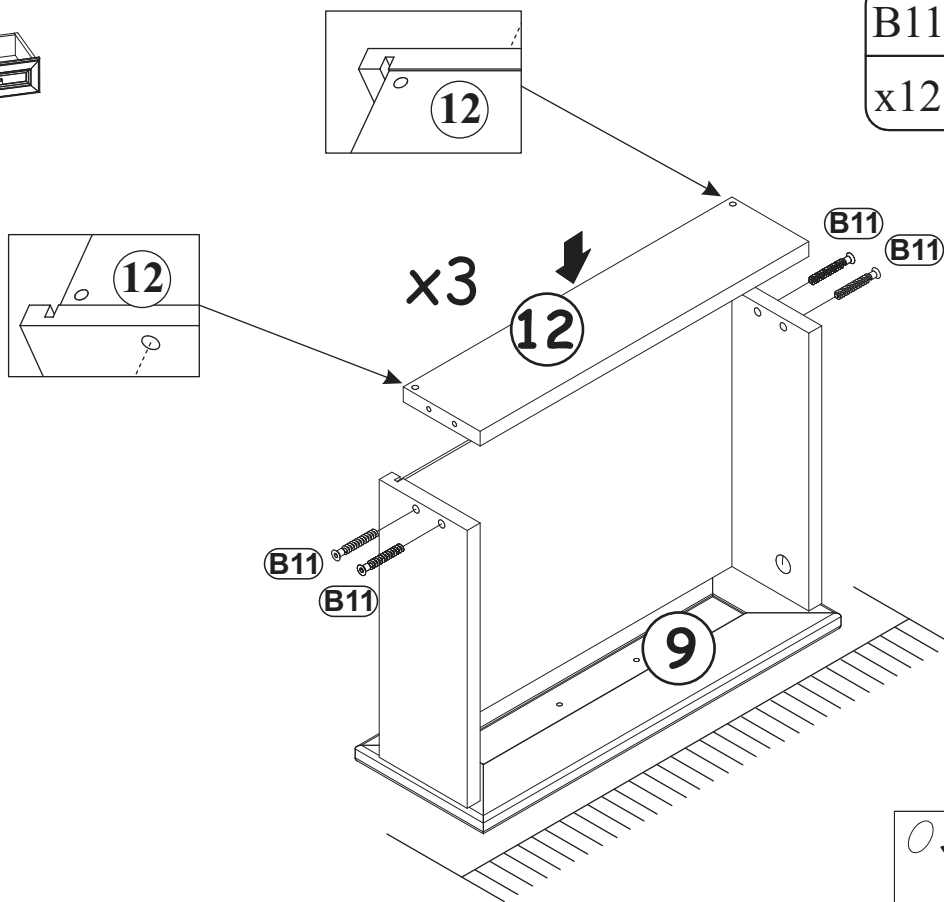
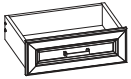


G5	
x6	

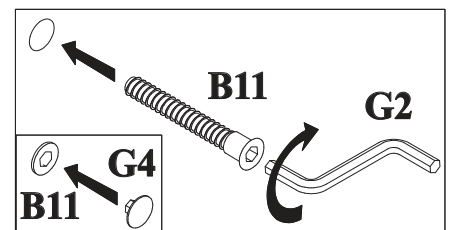
15



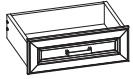
16



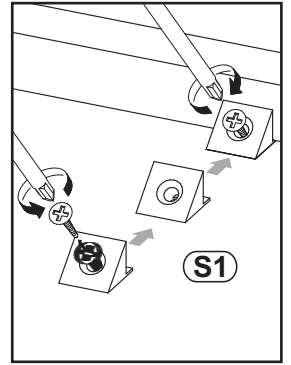
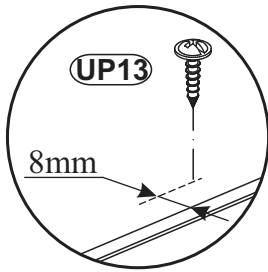
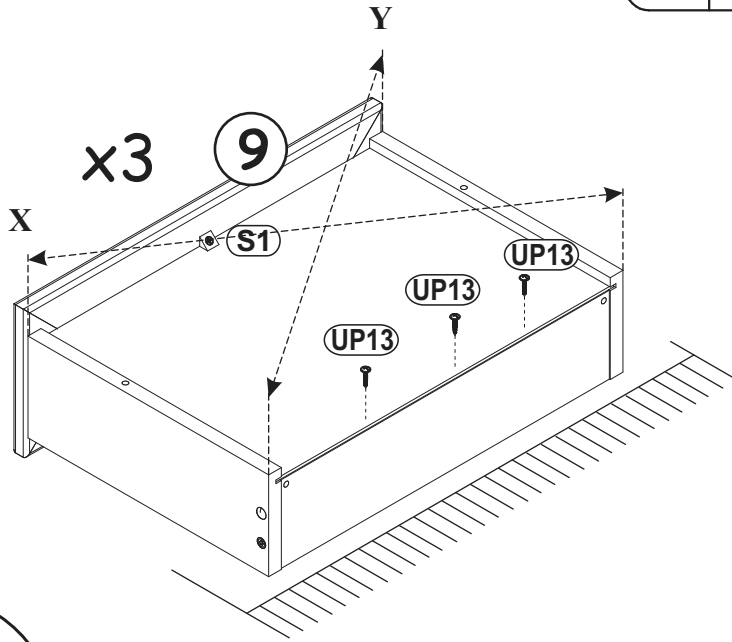
B11		G4	
x12	Ø7x50	x12	



17



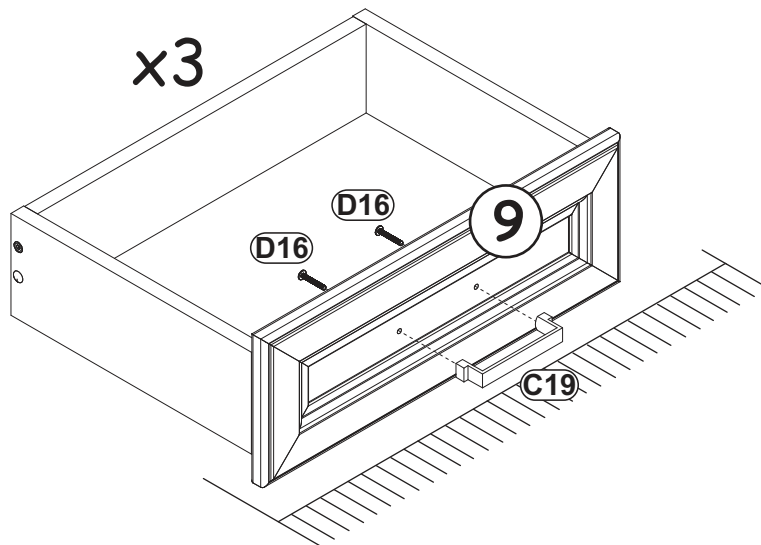
S1		UP13	
x3		x9	UPØ3x16




18

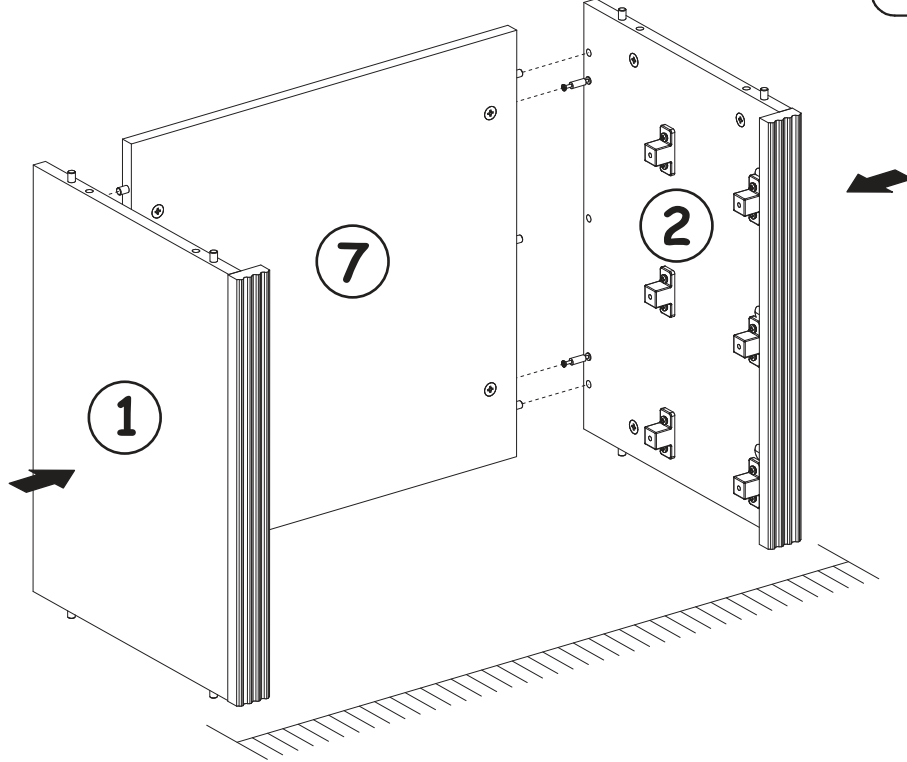
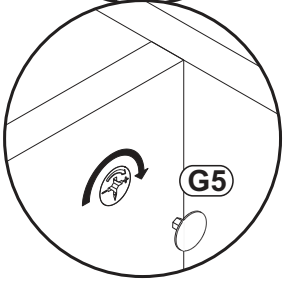
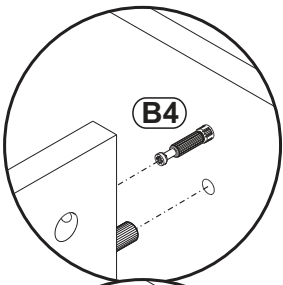


C19		D16	
x3		x6	M4x14




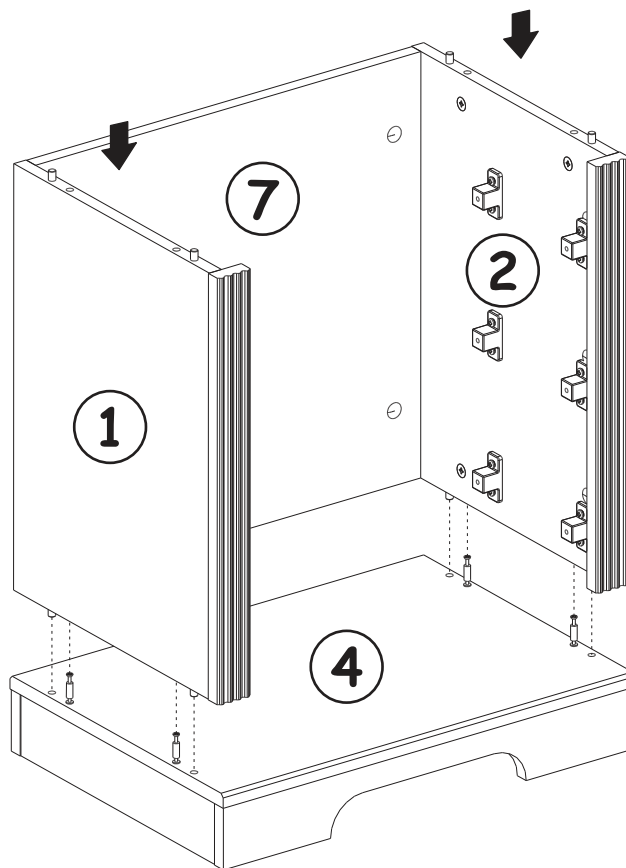
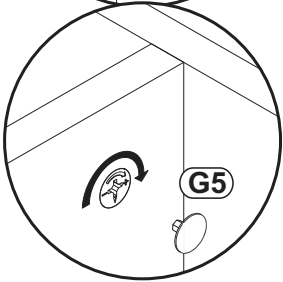
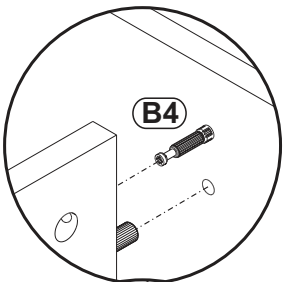
19

G5	
x4	




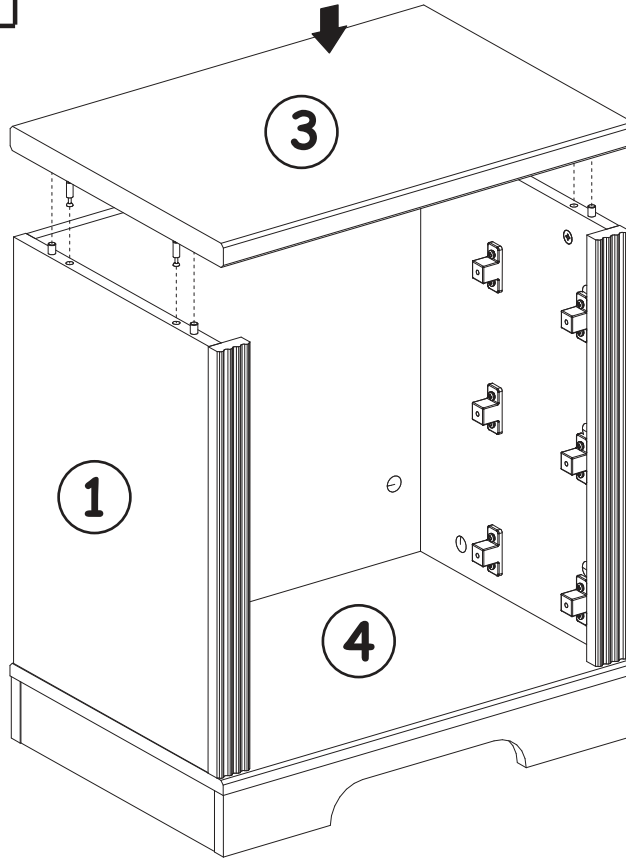
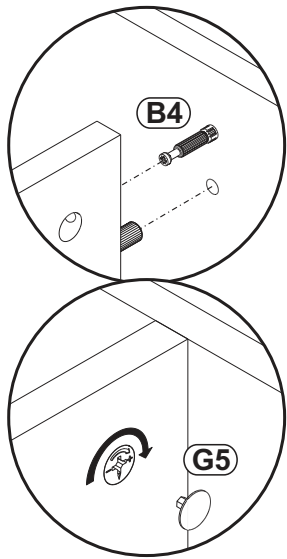
20

G5	
x4	



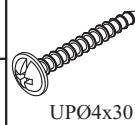
21


G5	
x4	

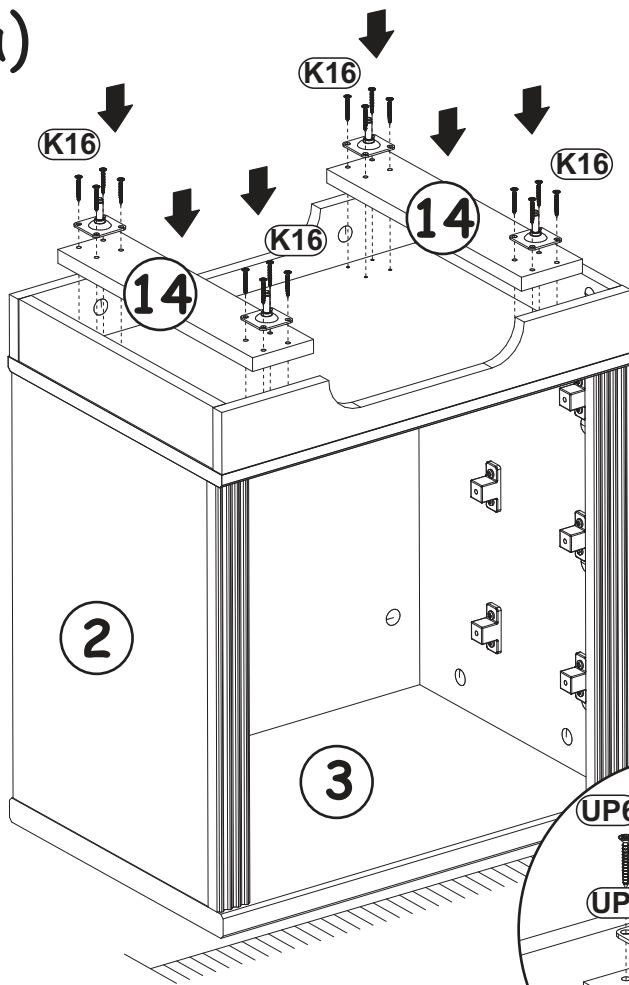


180° 

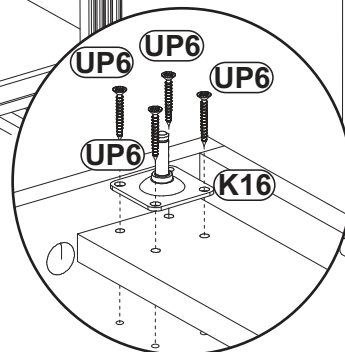
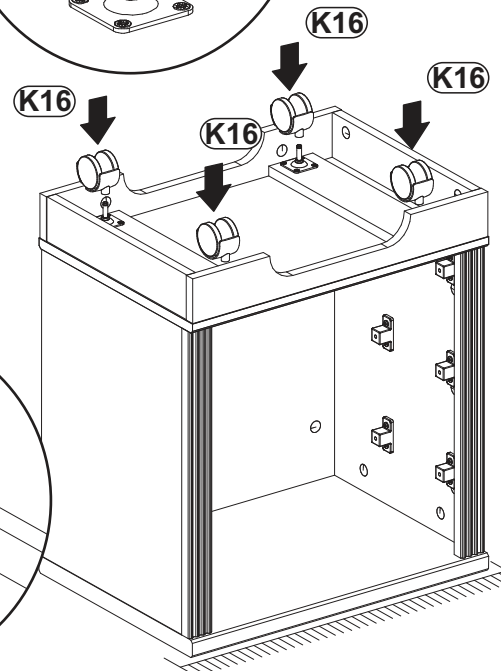
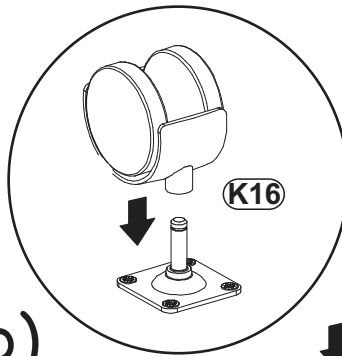
22 a)

UP6	
x16	UPØ4x30


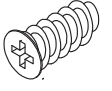
K16	
x4	Ø50 H-65

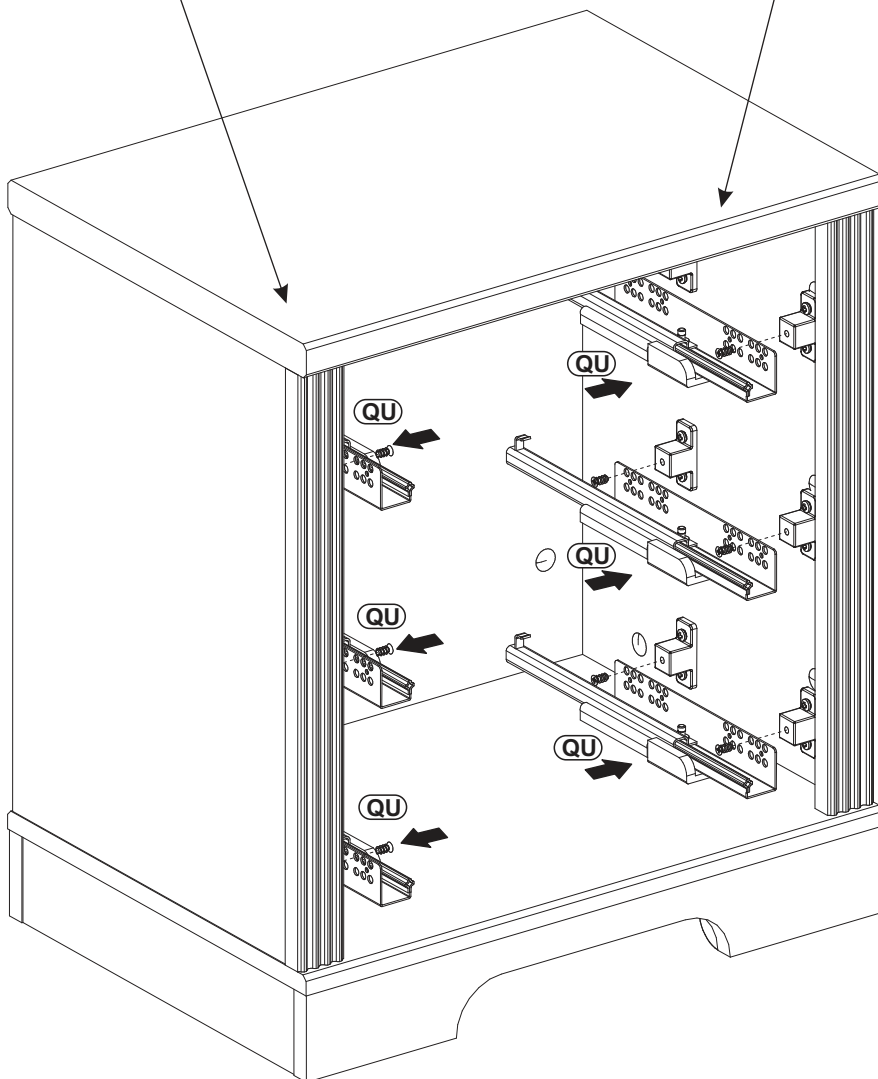
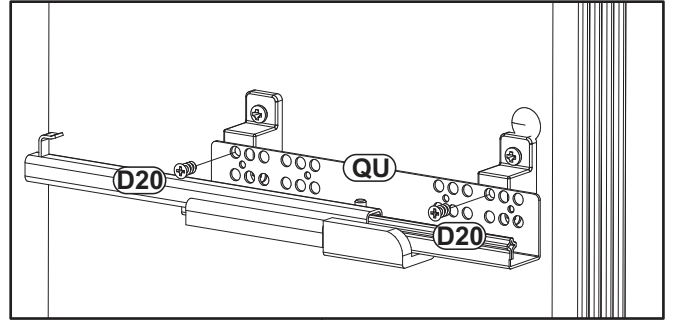
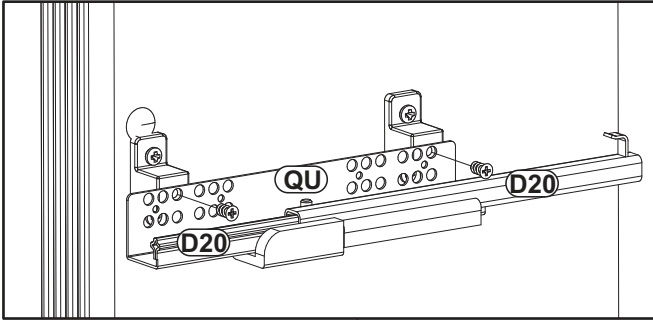


b)

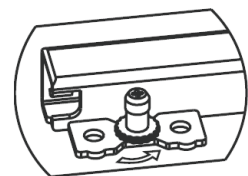
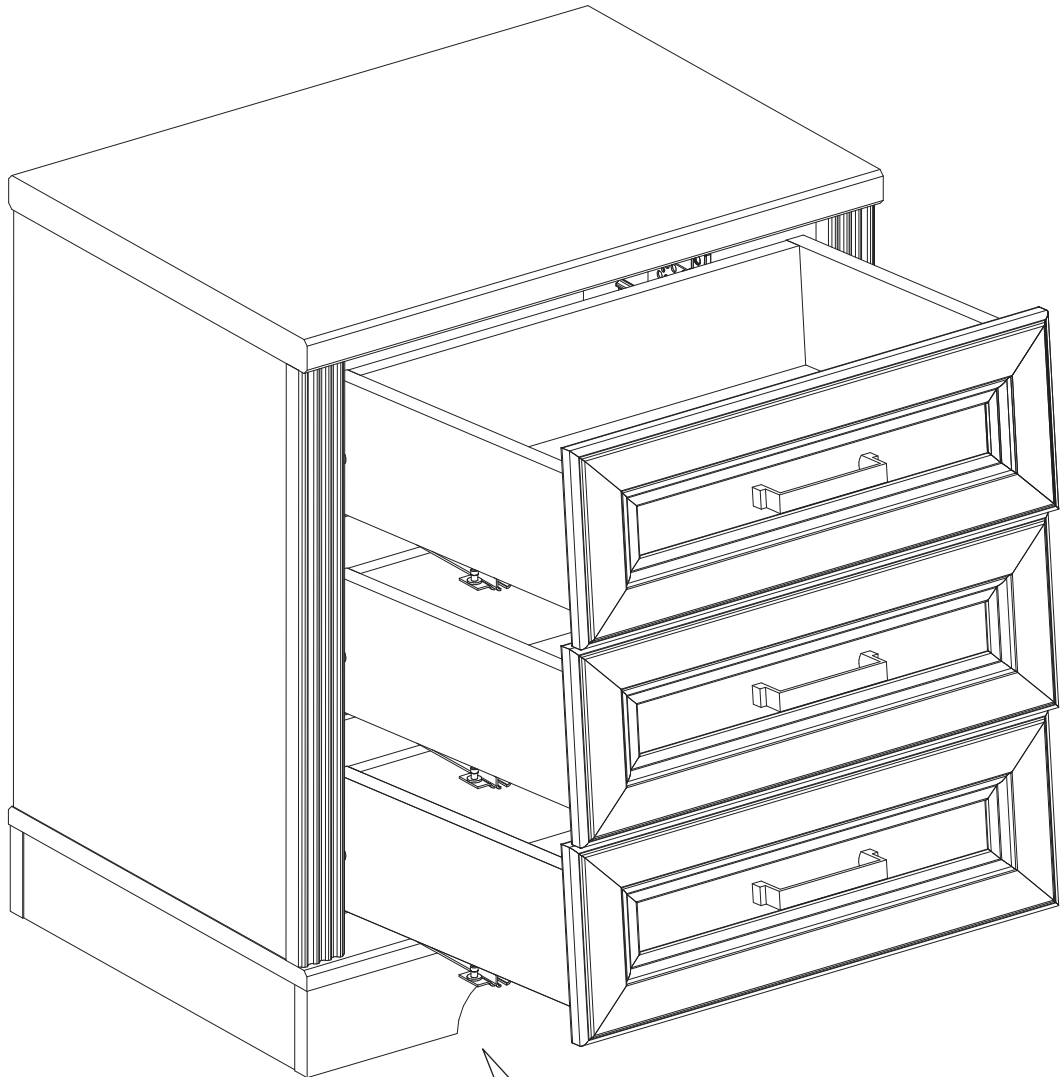
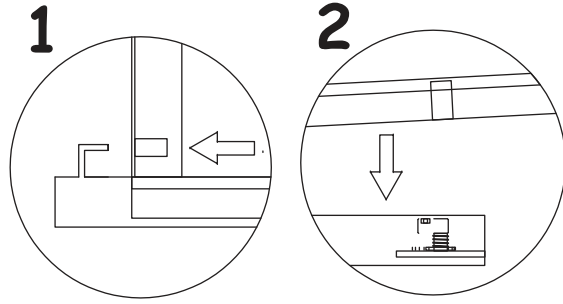


23

QU		D20	
x3	L-300	x12	ES06x9,5



24



↑ +4 mm