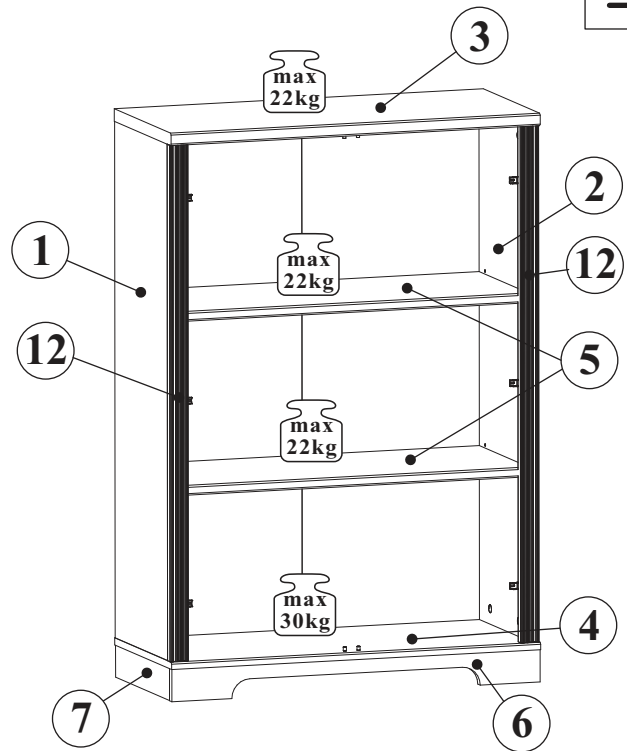
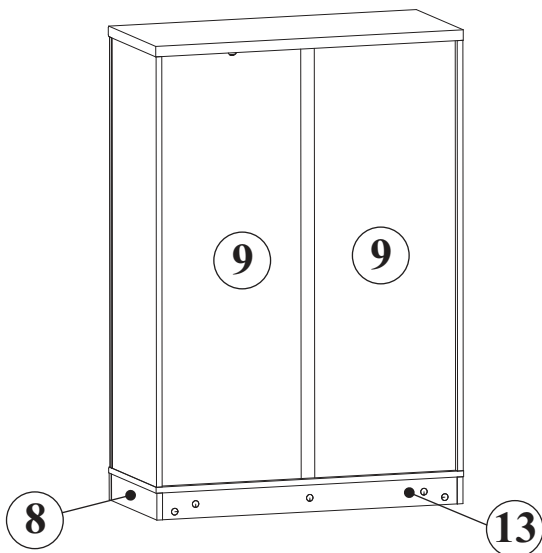
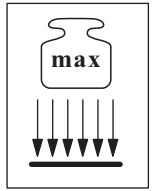
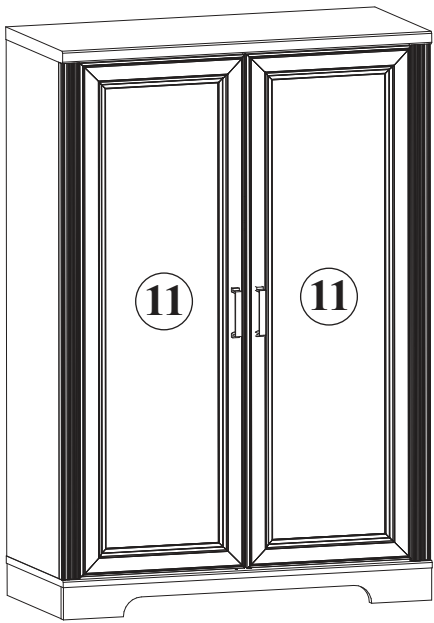
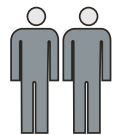


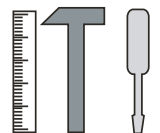
JASMIN 5K 21--11

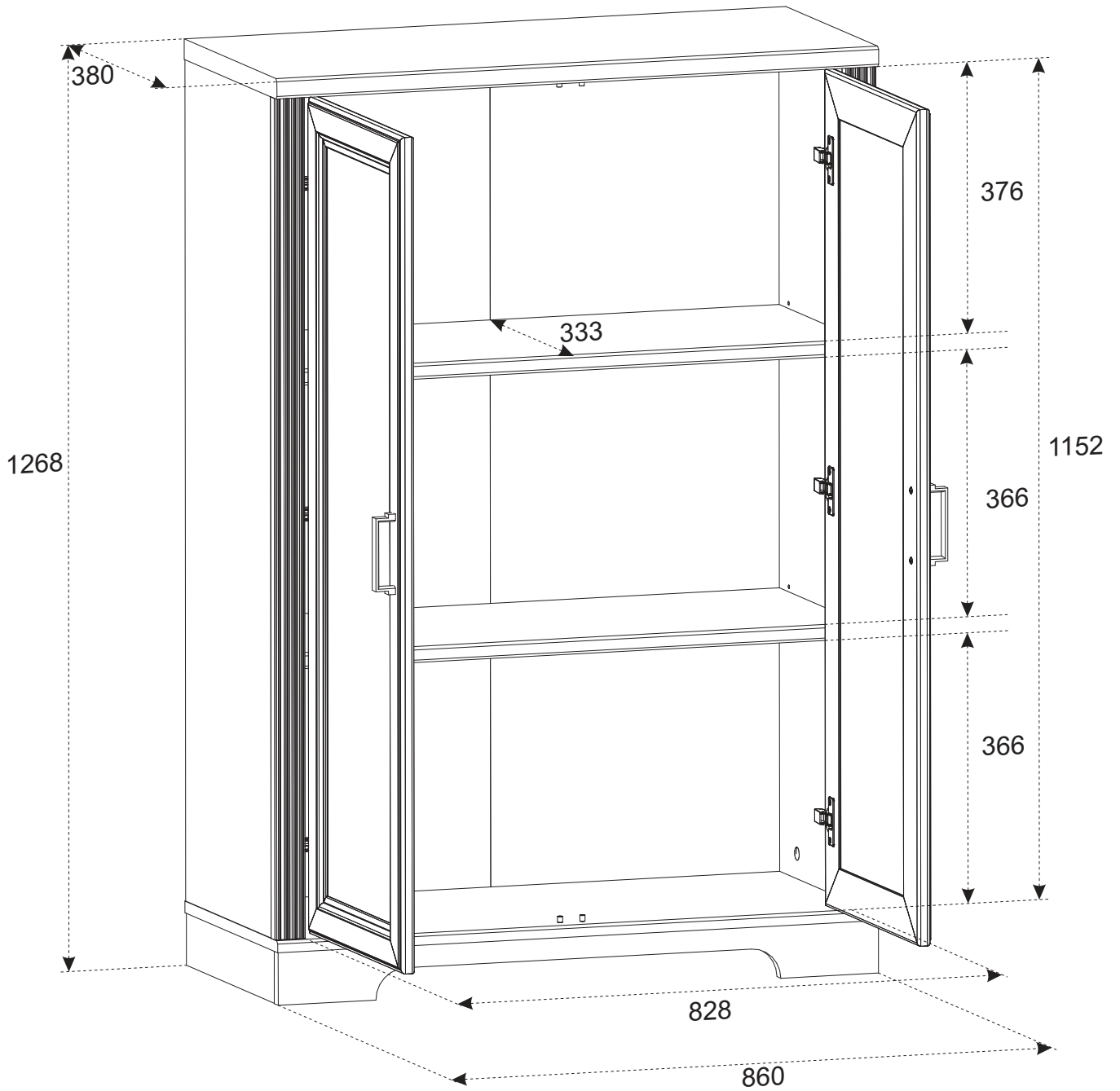


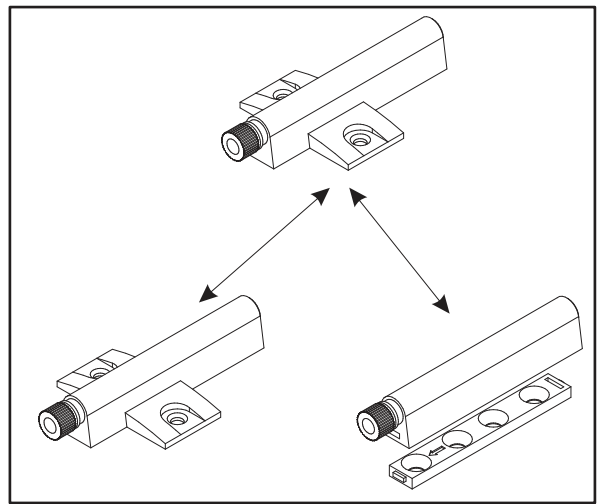
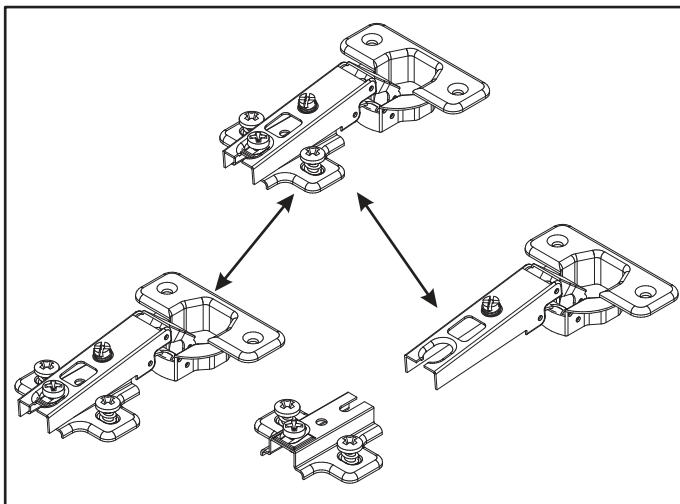
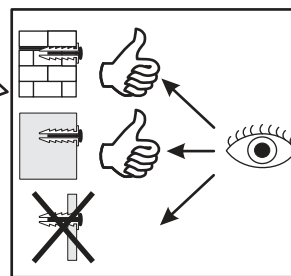
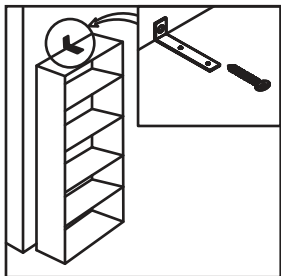
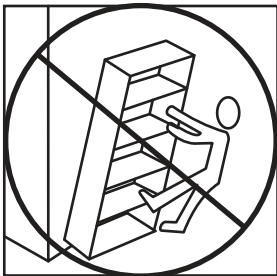
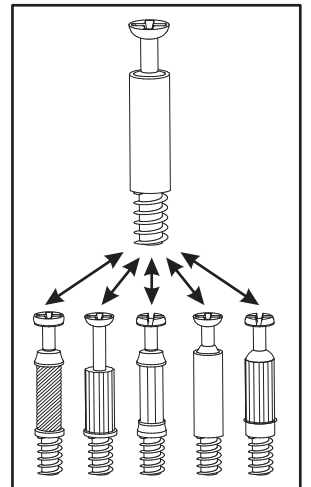
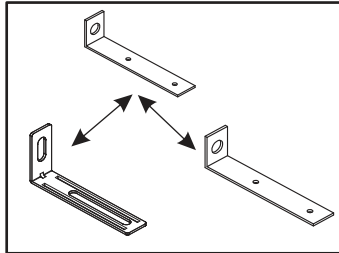
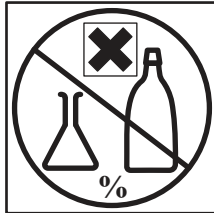
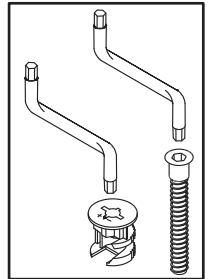
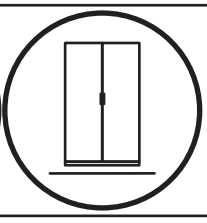
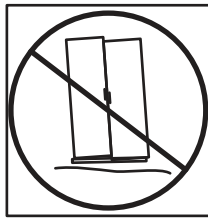
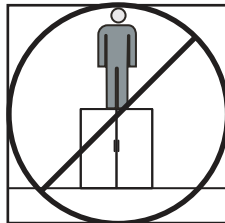
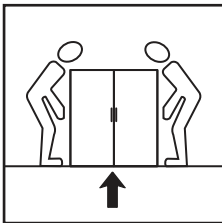
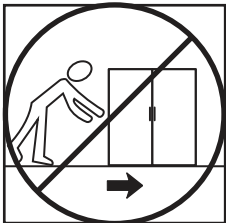
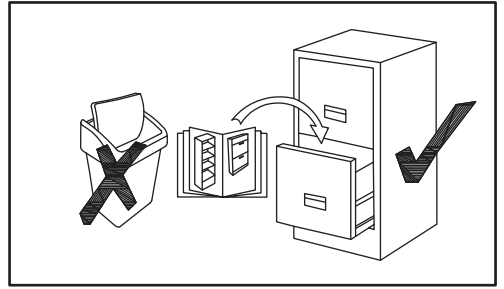
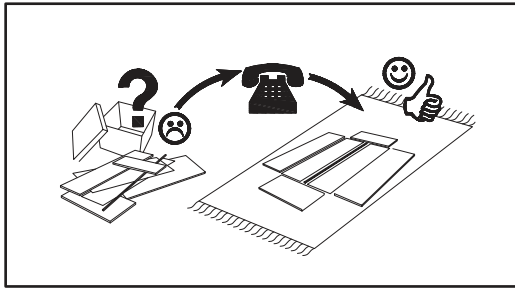
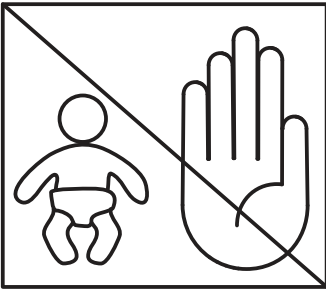
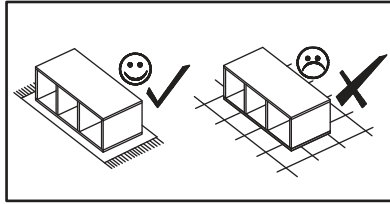
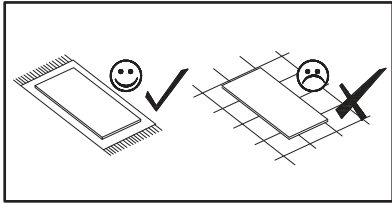
NO	Dim.			Col.-No	Qty
1	1152	353	16	1	1
2	1152	353	16	1	1
4	862	380	16	2	1
3	862	380	28	2	1
5	828	333	22	1	2
12	1152	43	19	2	2
6	860	72	16	1	1
13	826	72	16	1	1
7	363	72	16	1	1
8	363	72	16	1	1
11	1145	383	22	2	2
9	1164	420	3	1	2



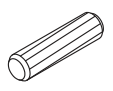
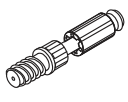


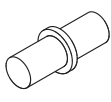
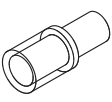
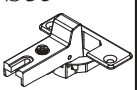
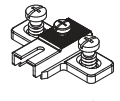
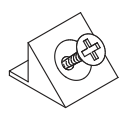
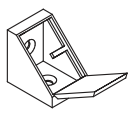
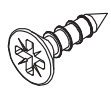
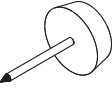
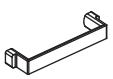
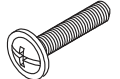
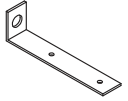
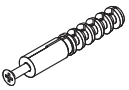

180 min

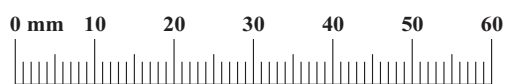
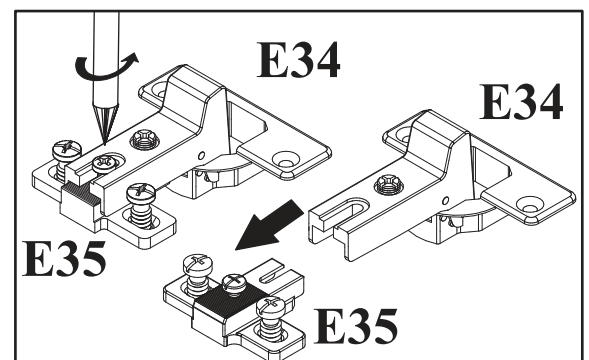




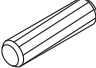


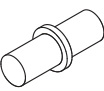
JASMIN 5K 21 -- 11


A1 x28 ø8x36		B4 x25		B5 x25 ø15x12		G5 x25		G7 x8		G20 x4	
E34 x6 Ø35		E35 x6 H=0		S1 x12		KM1 x1		D10 x16 USØ3,5x13		I2 x4	
C19 x2		D28 x4 M4x28		L1 x1		KR1 x1		G2 x1			

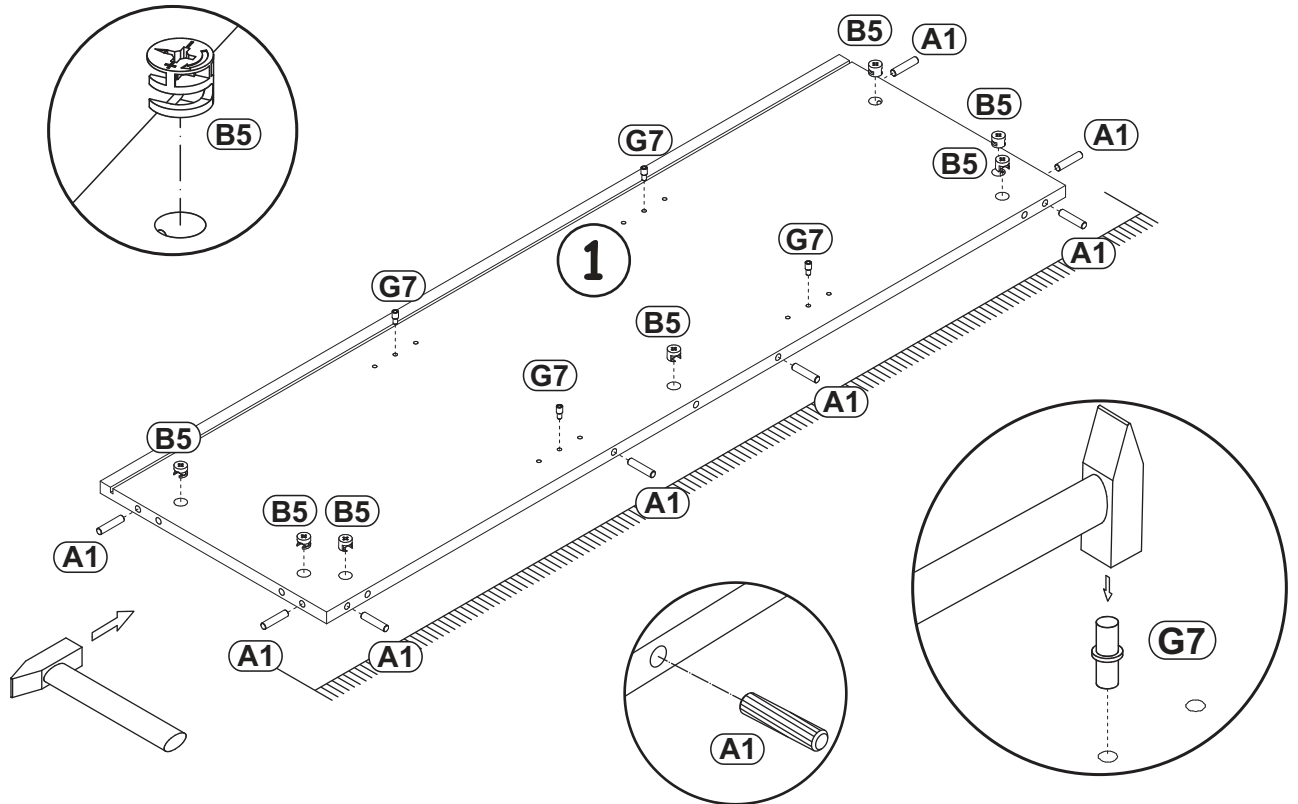


1

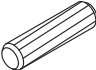
A1	
x8	ø8x36

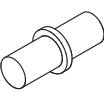
G7	
x4	


B5	
x7	ø15x12

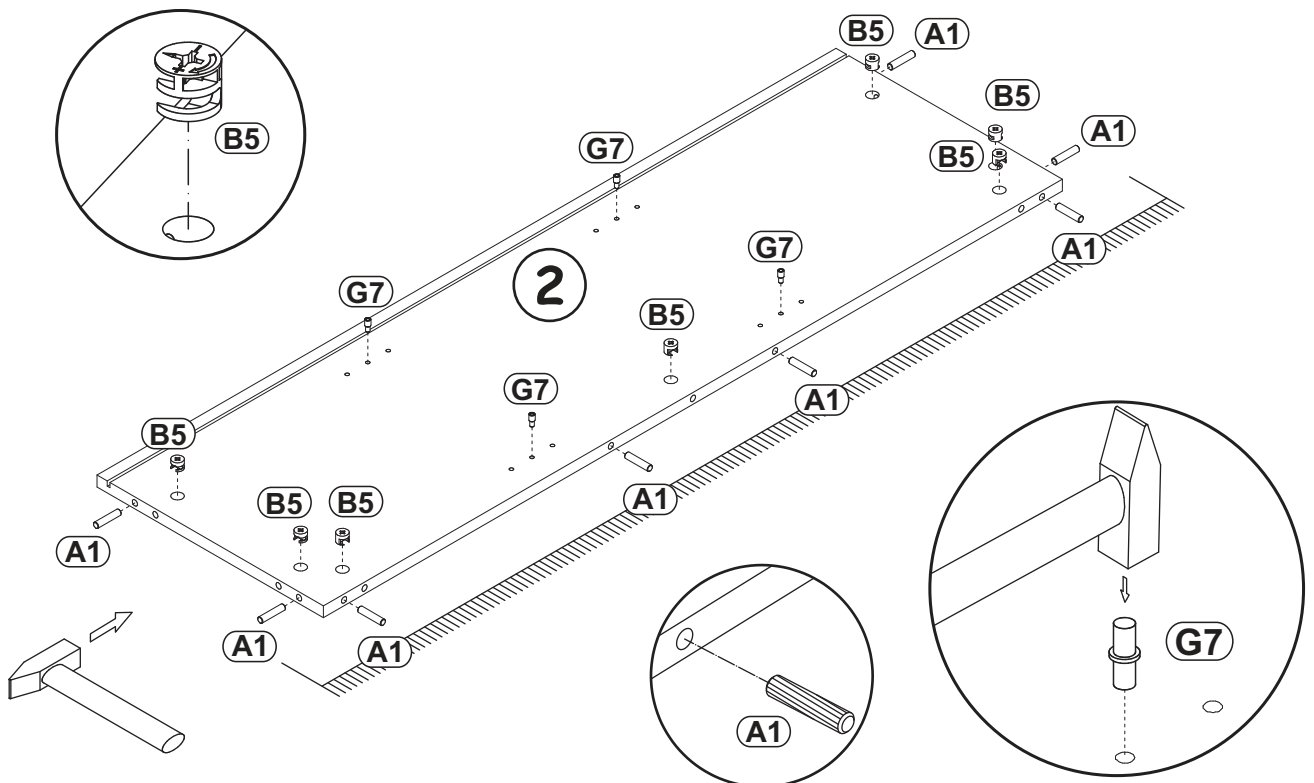


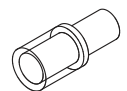
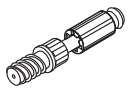
2

A1	
x8	ø8x36

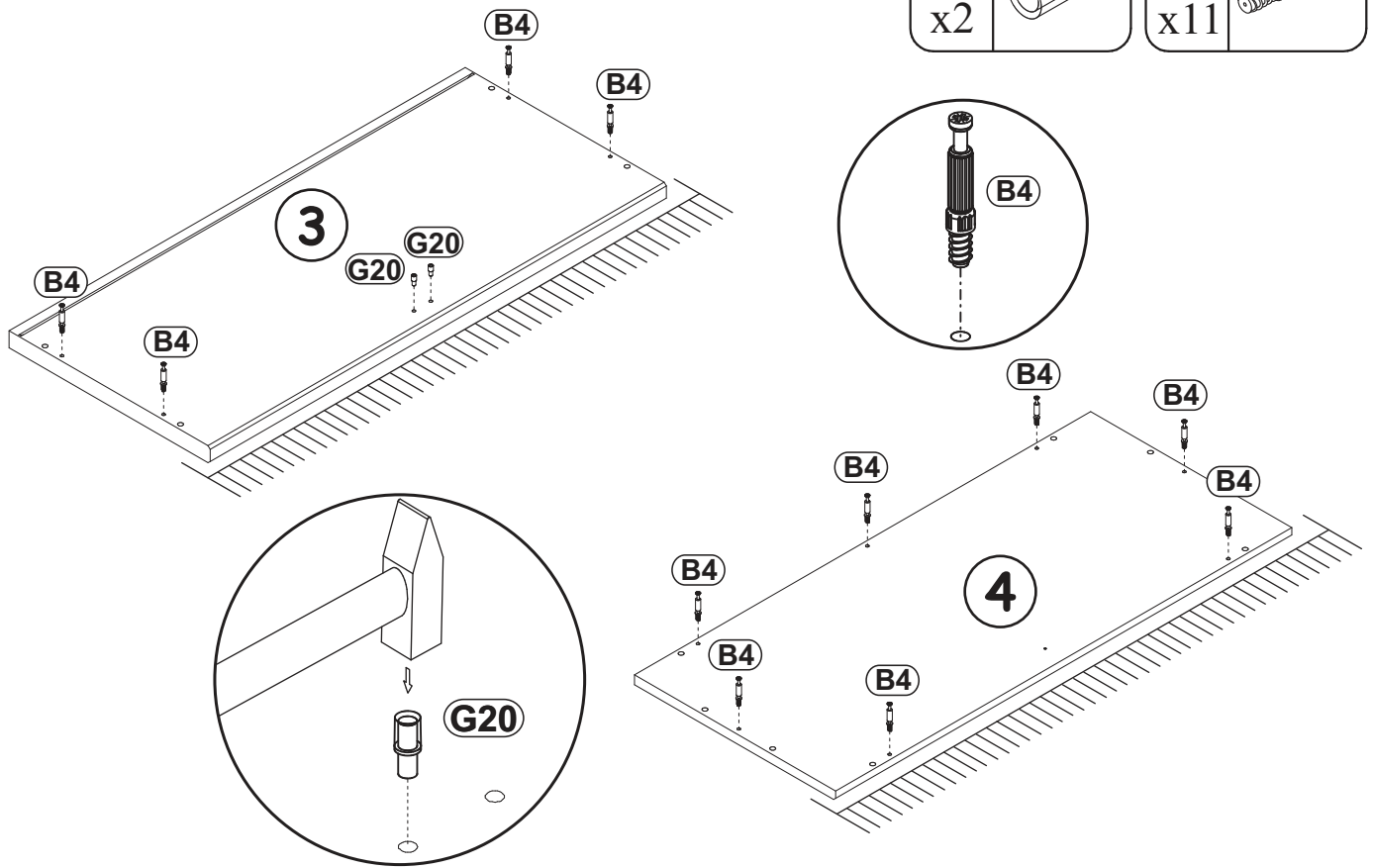
G7	
x4	

B5	
x7	ø15x12

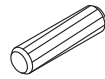

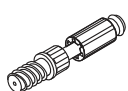


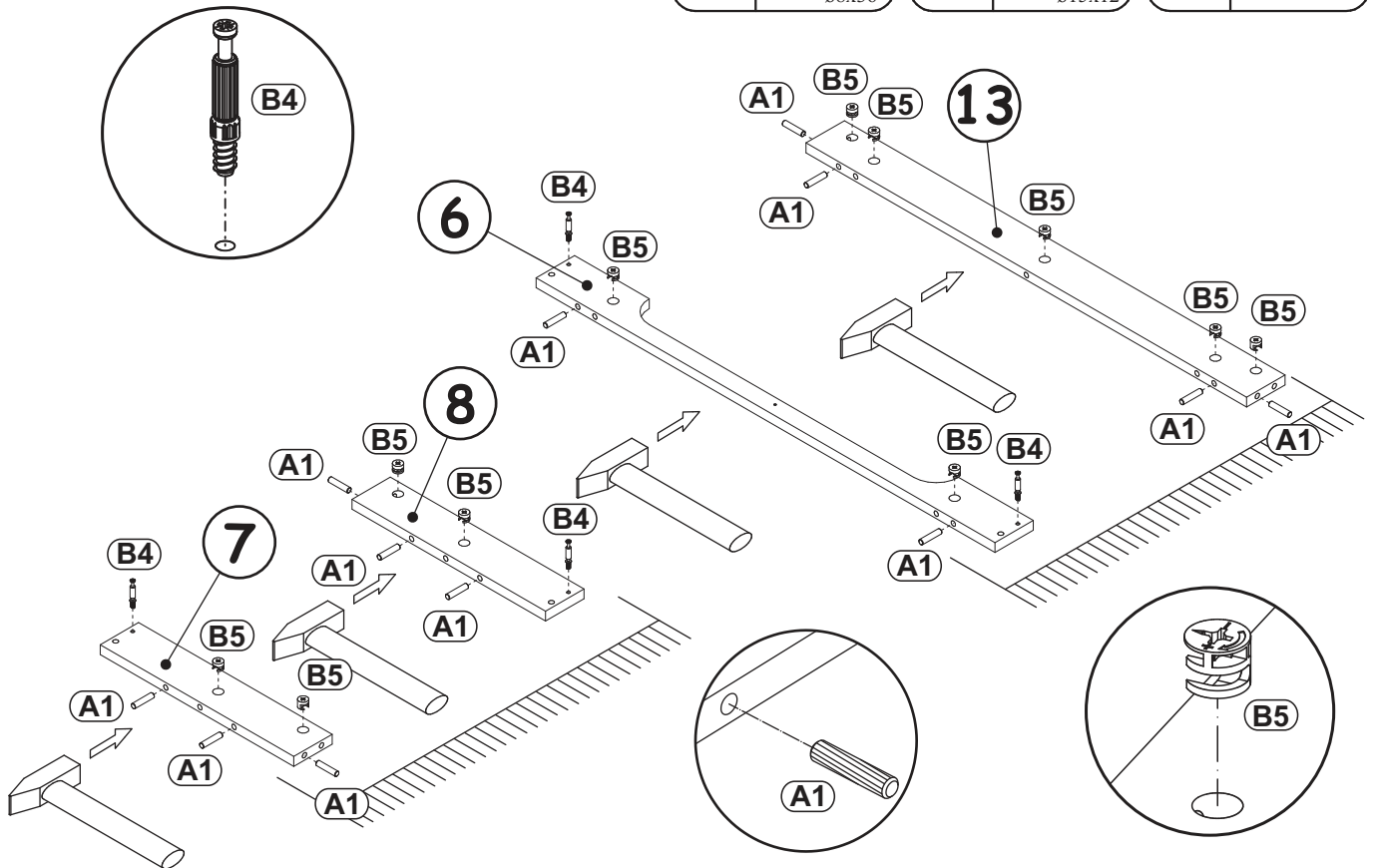
G20		B4	
x2		x11	

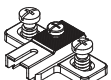
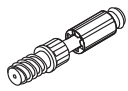
3



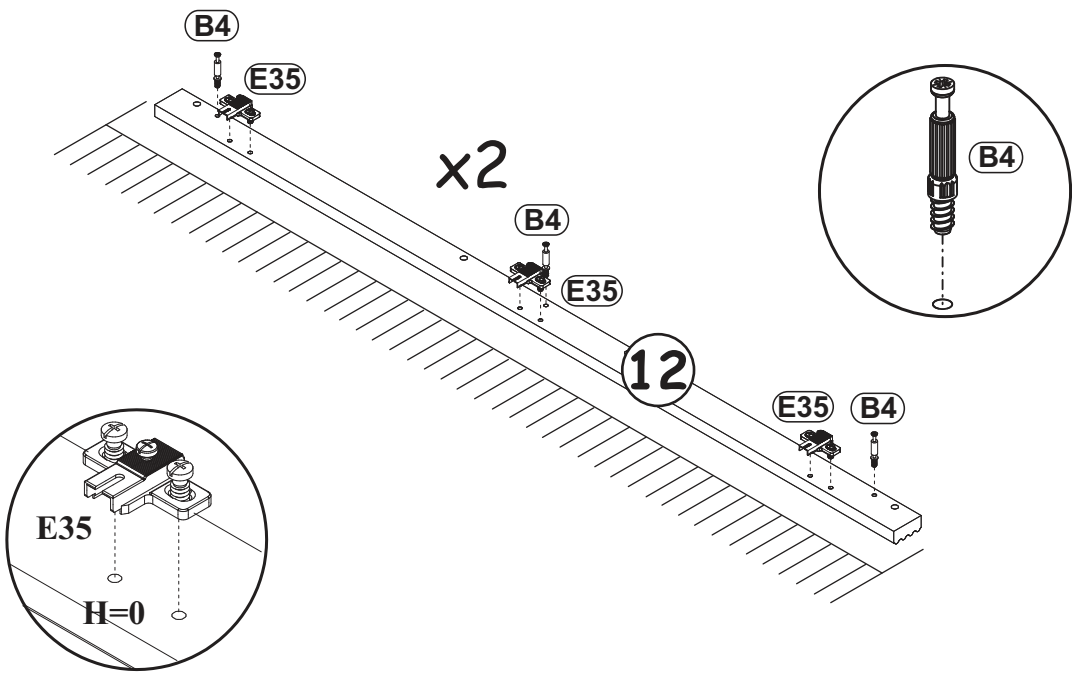
4

A1		B5		B4	
x12	ø8x36	x11	ø15x12	x4	


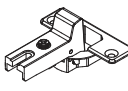


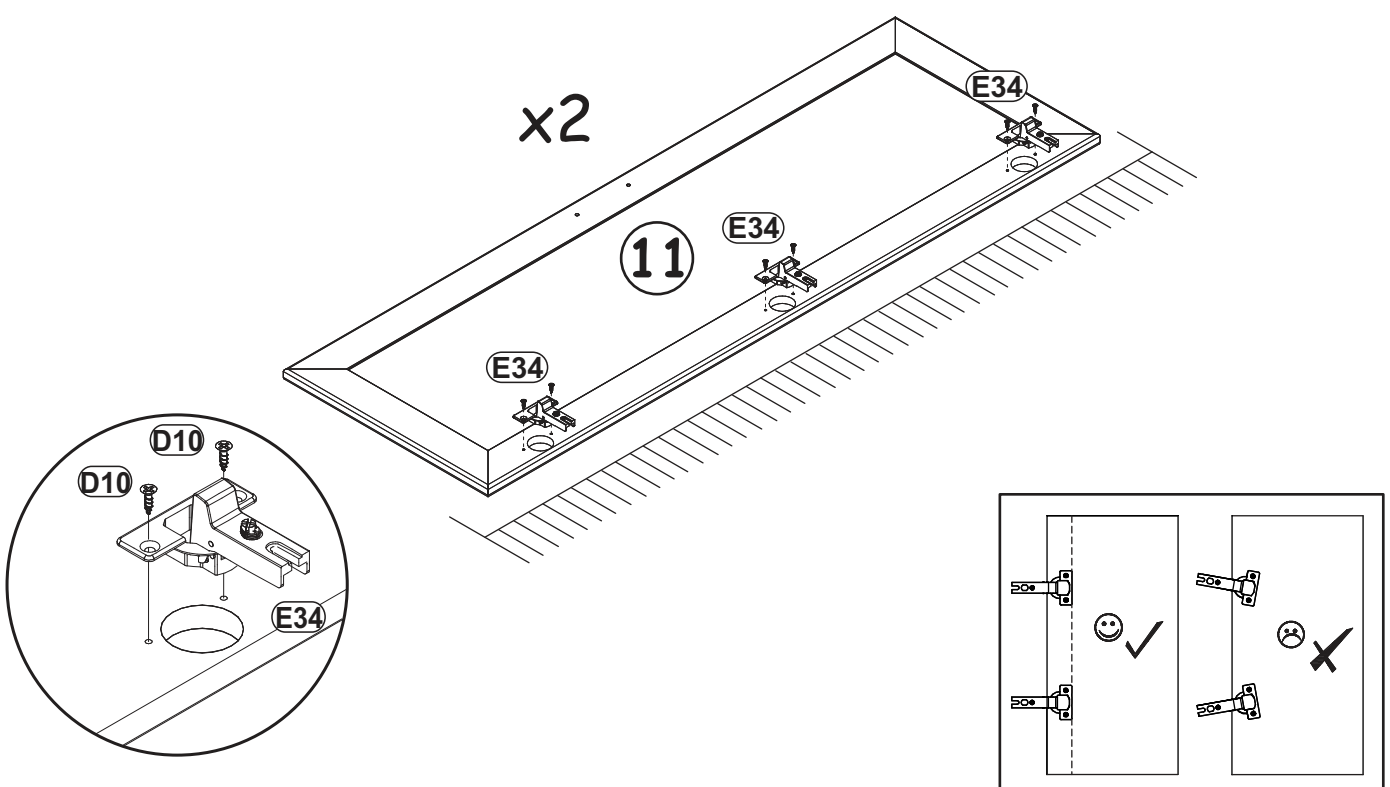
E35		B4	
x6	H=0	x6	

5



6

D10		E34	
x12	USØ3,5x13	x6	Ø35

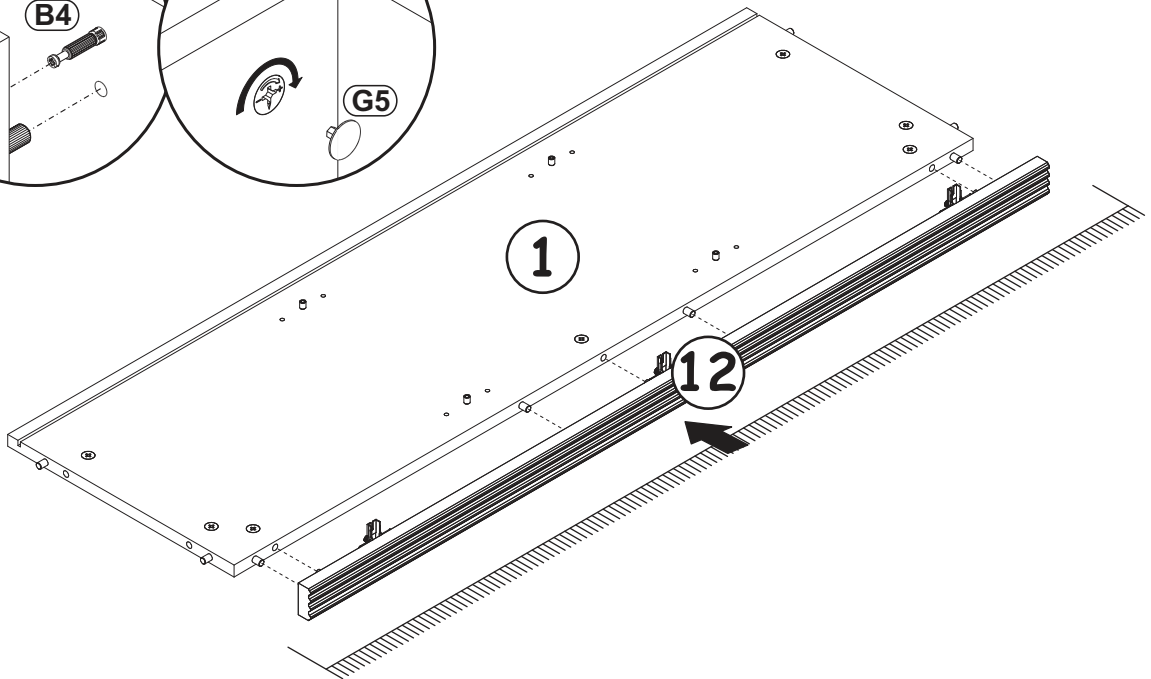
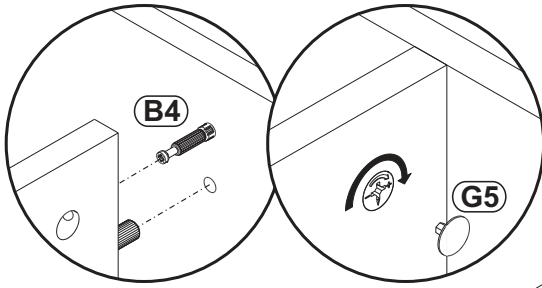


G5

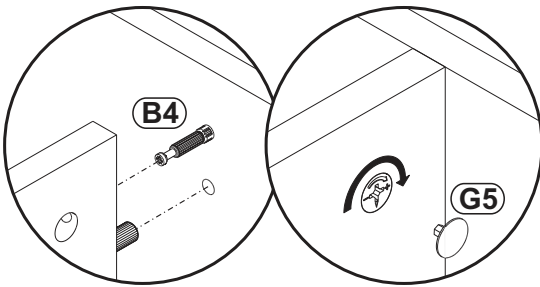
x3



7

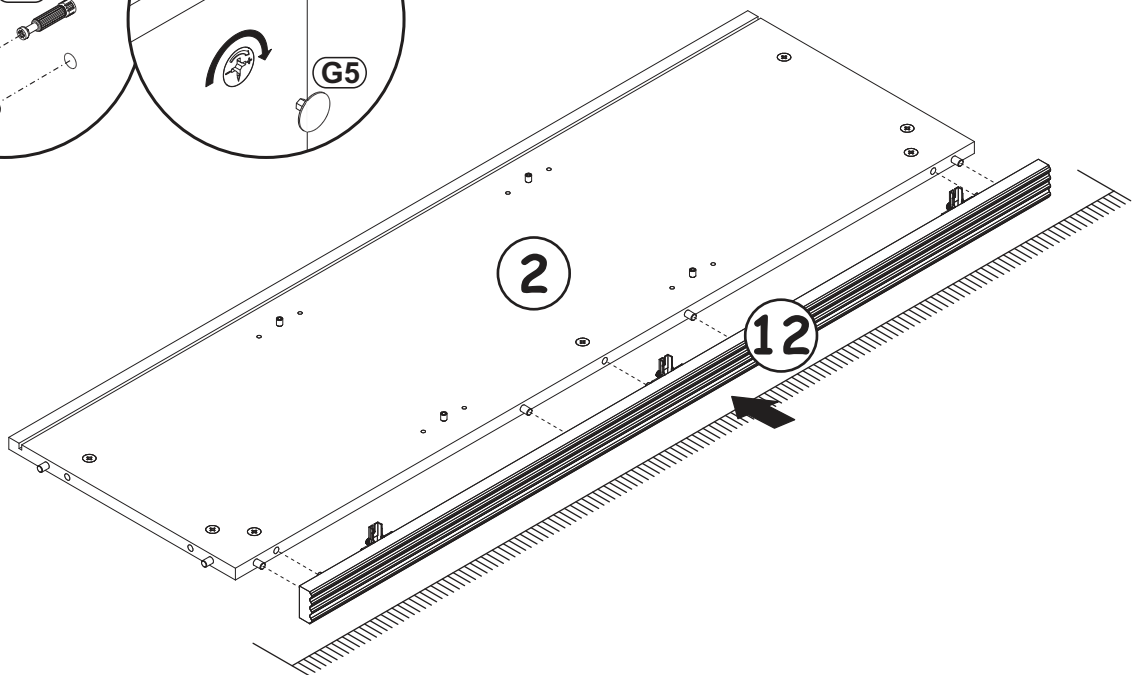


8

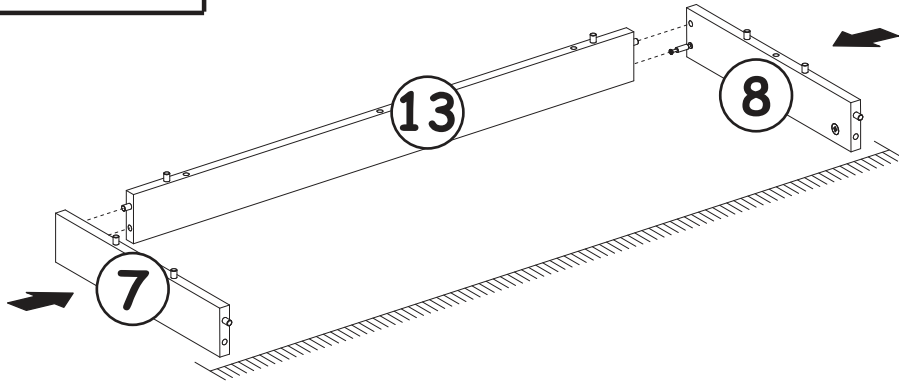


G5

x3

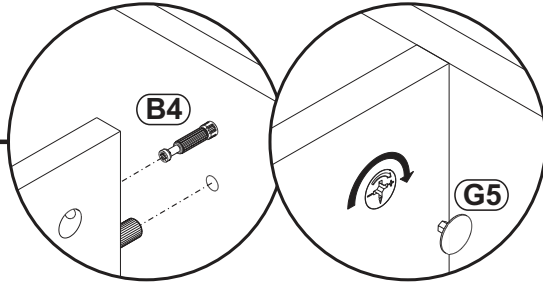


9

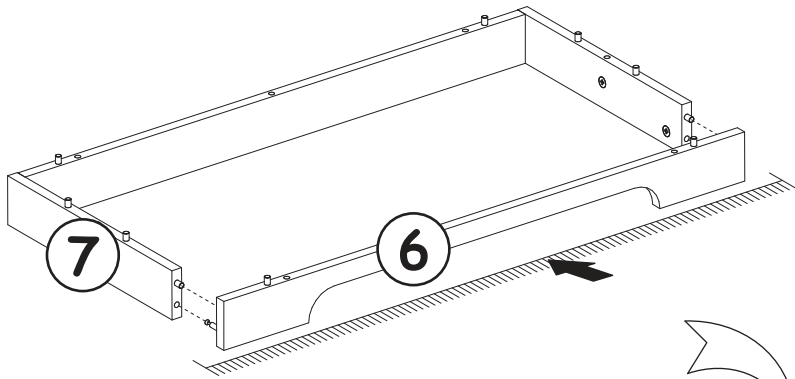


G5	
x2	

10

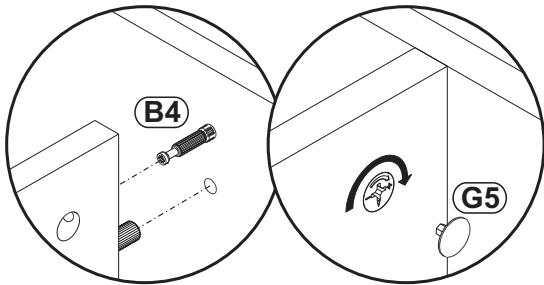


G5	
x2	

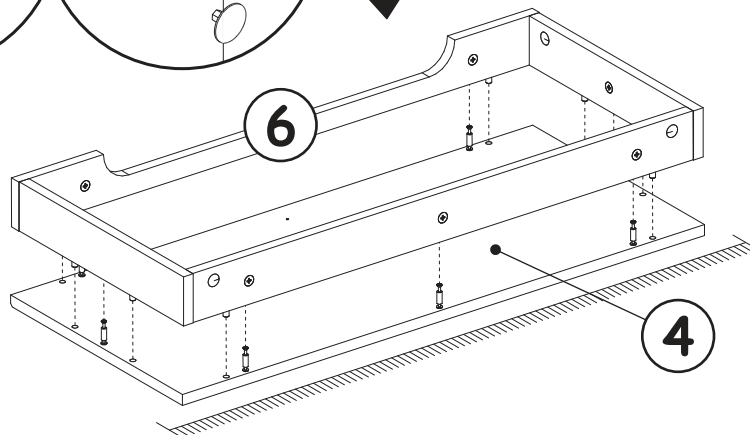


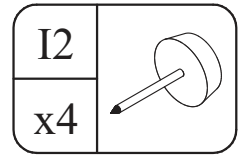
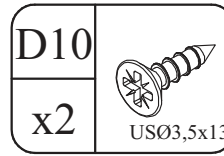
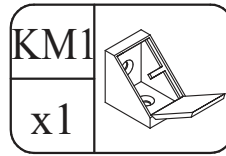
180°

11

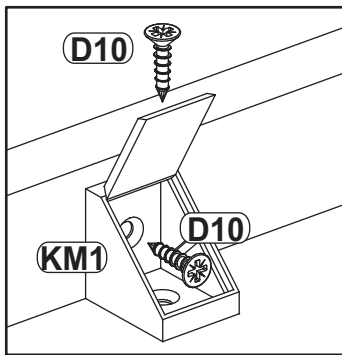
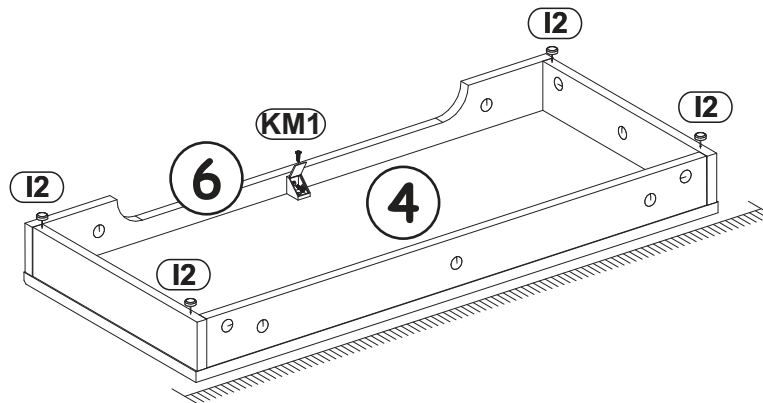


G5	
x7	

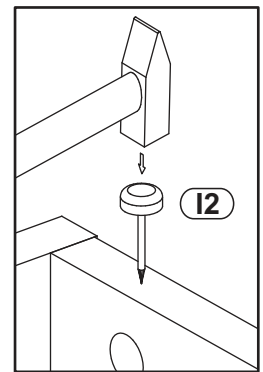




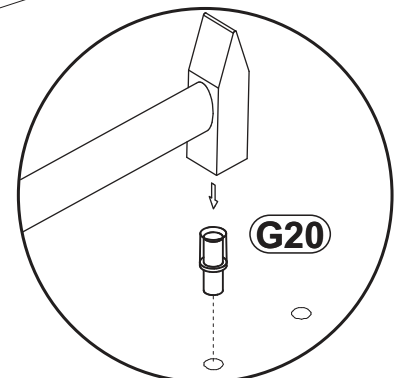
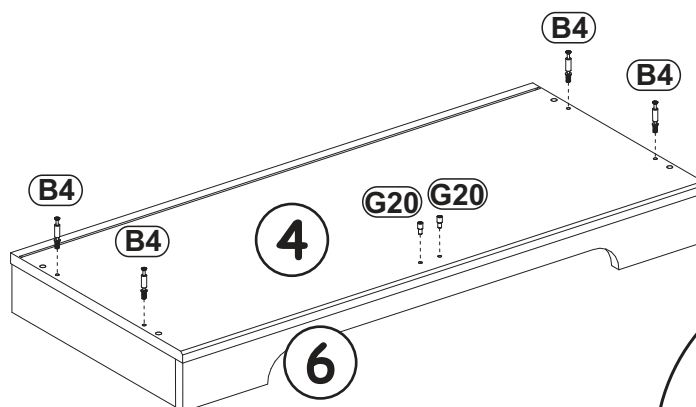
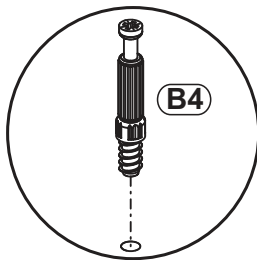
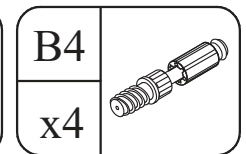
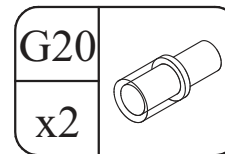
12



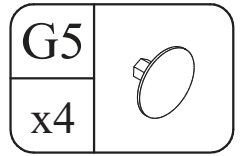
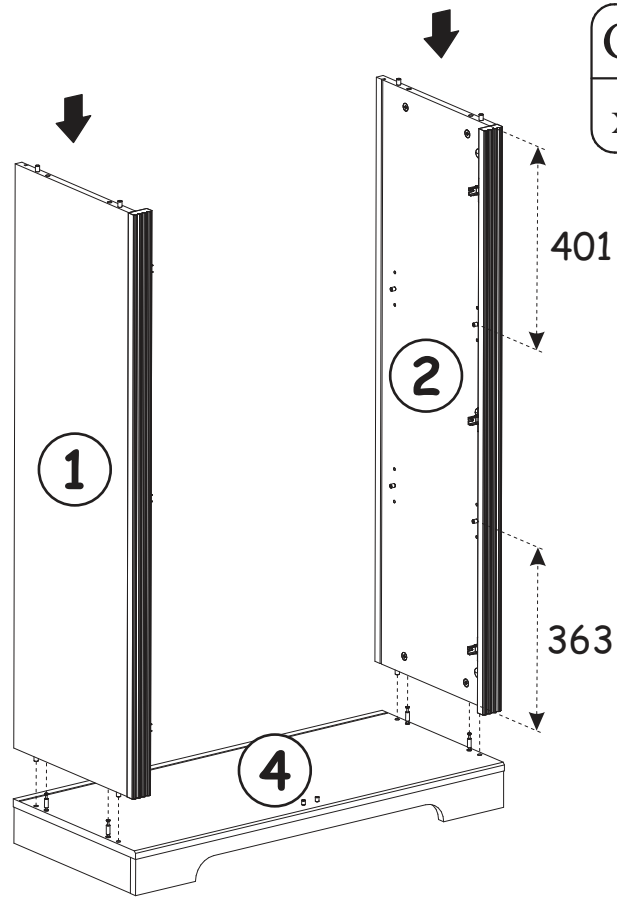
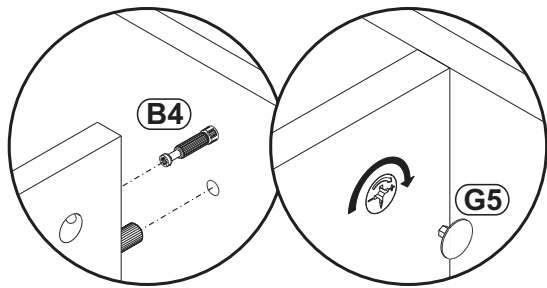
180°



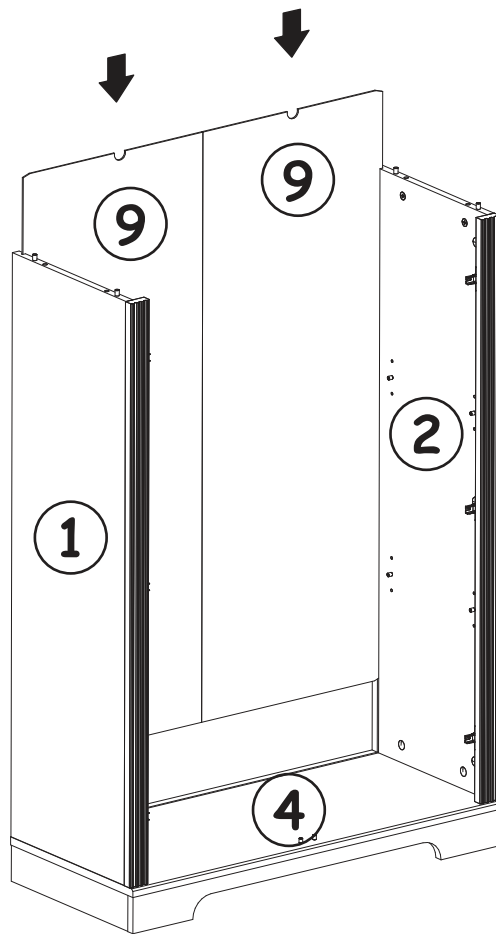
13



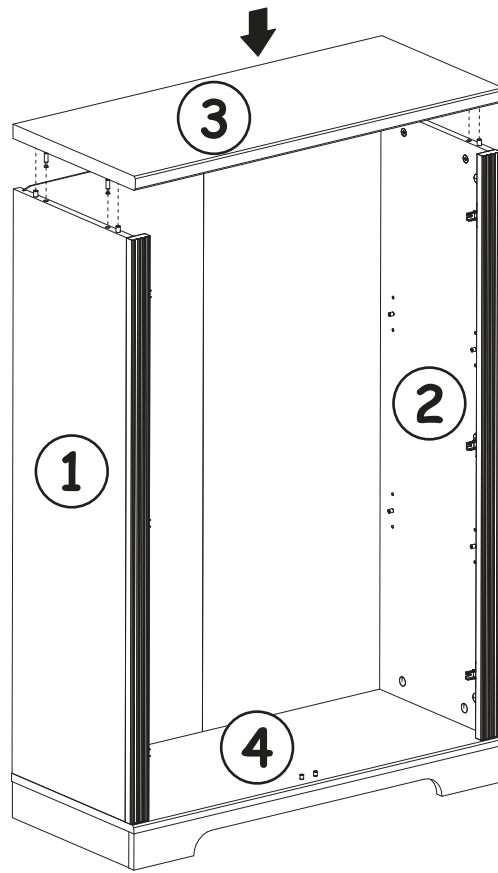
14




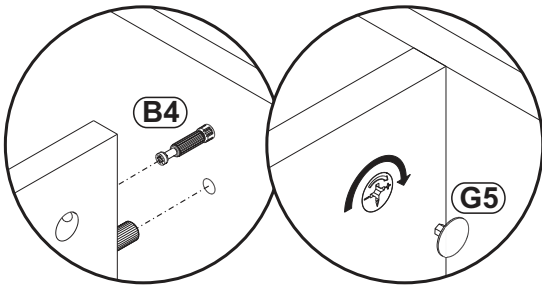
15



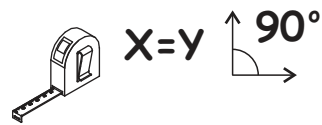
16

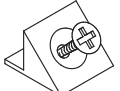


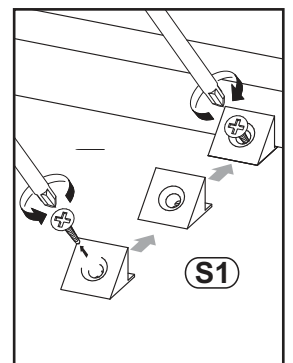
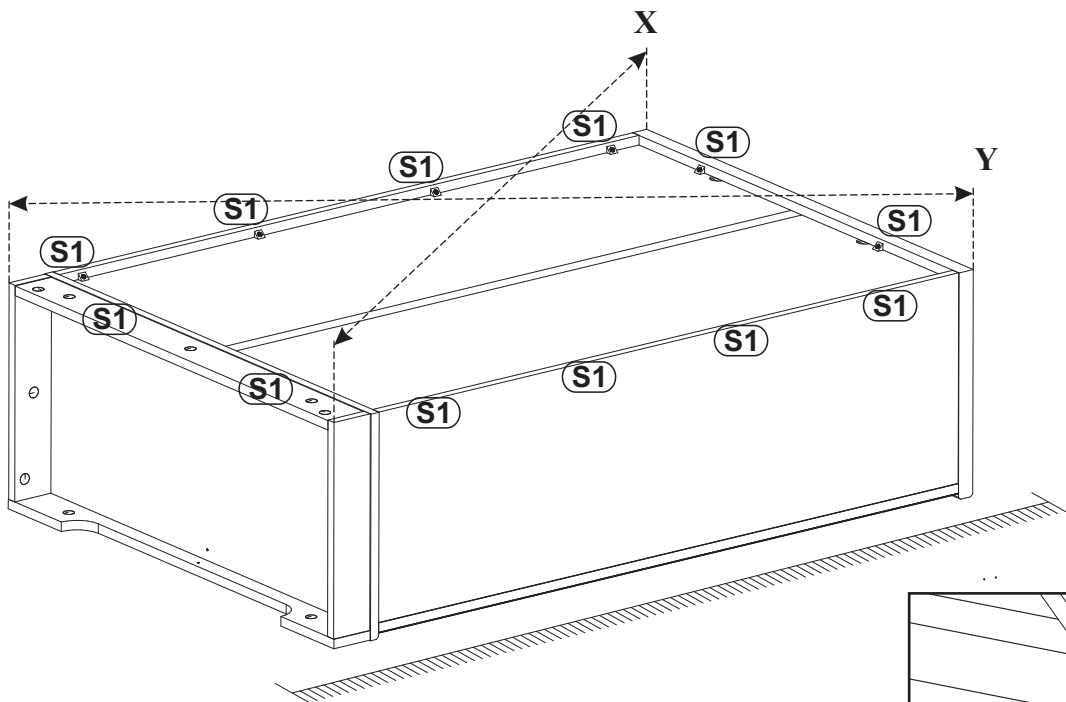
G5	
x4	



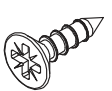
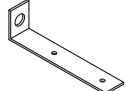

17

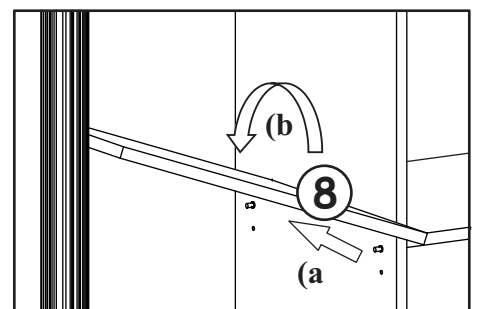
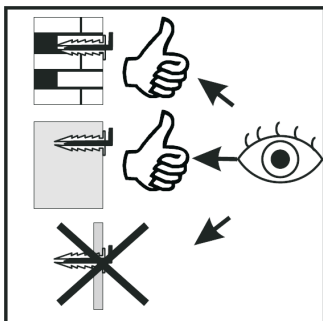
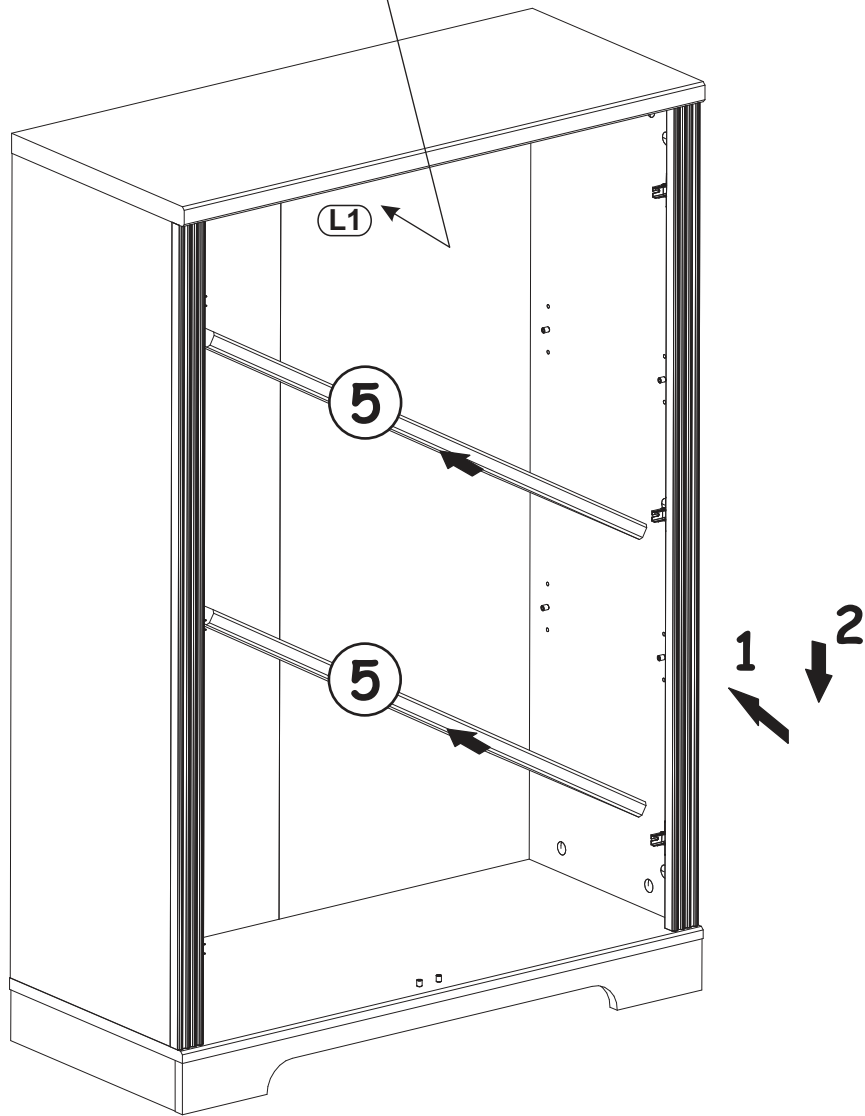
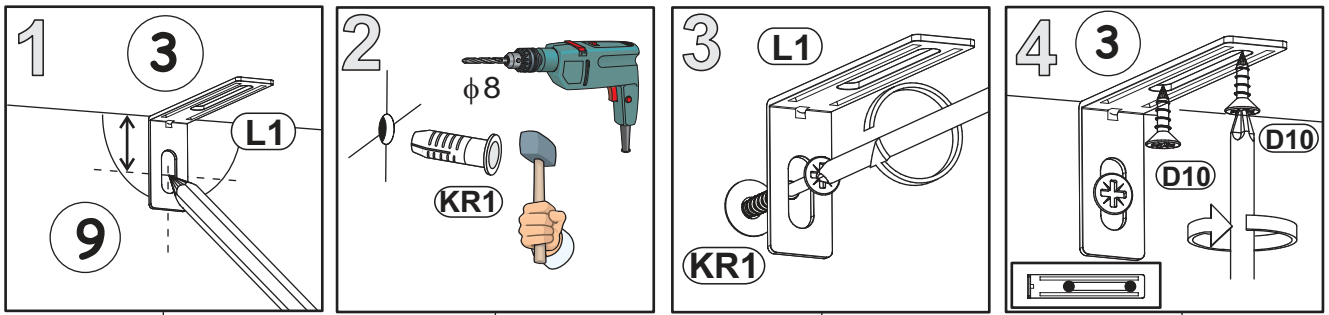


S1	
x12	

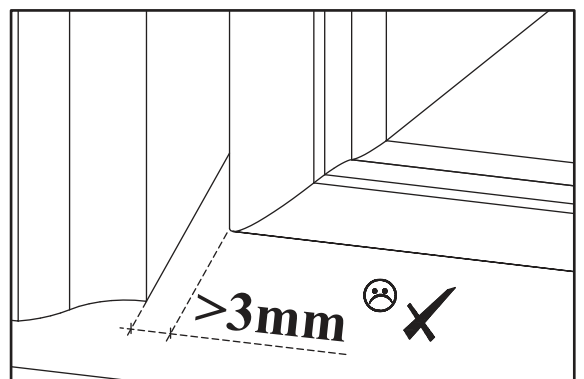
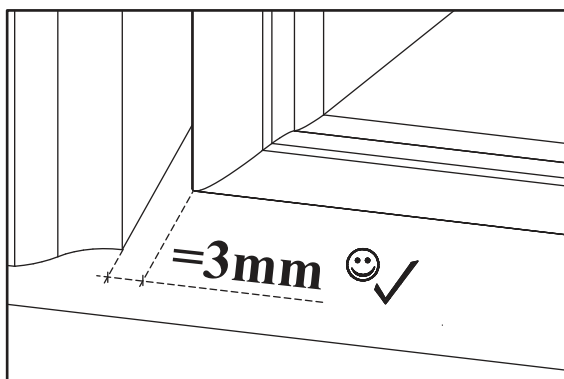
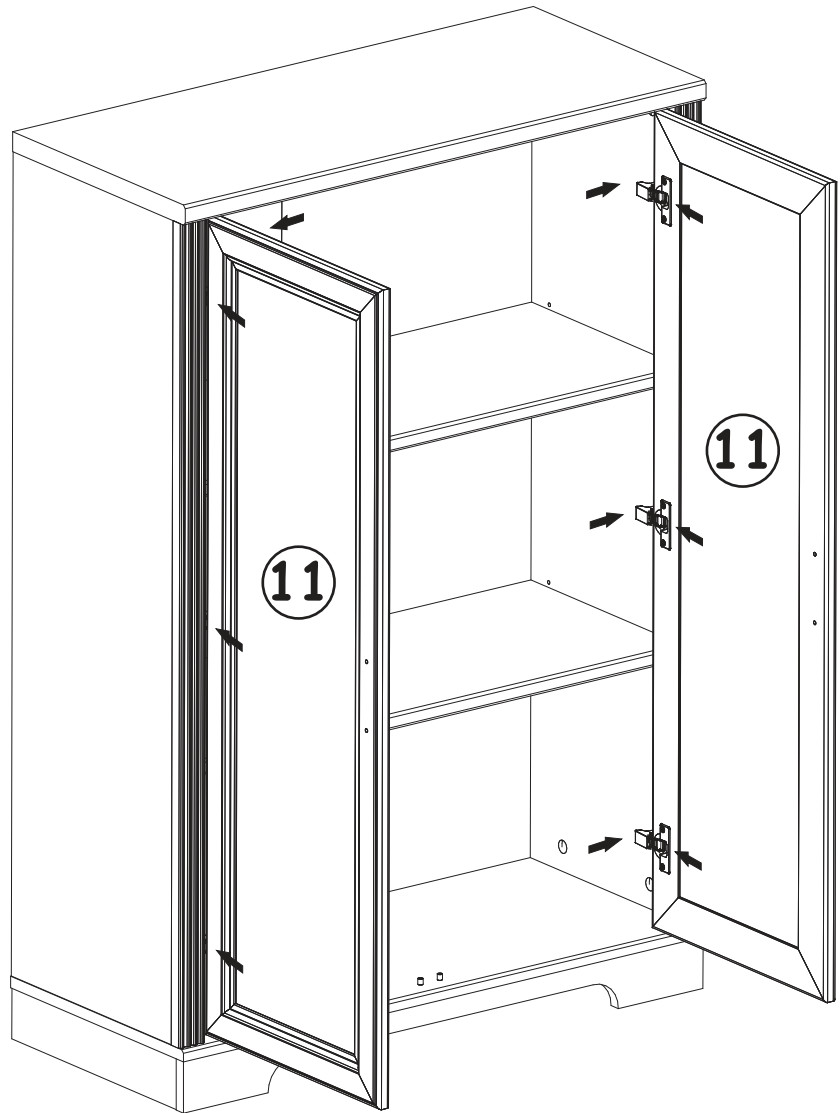
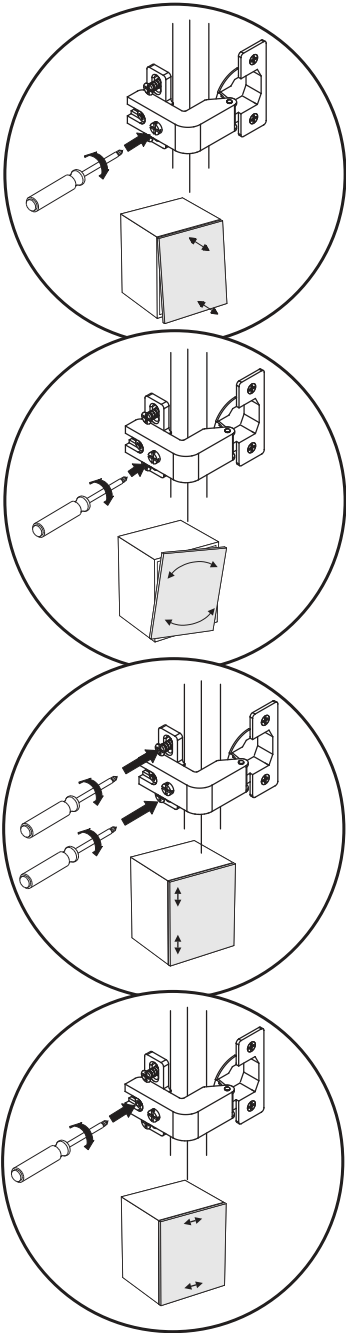


18

D10		L1		KR1	
x2	USØ3,5x13	x1		x1	



19



20

