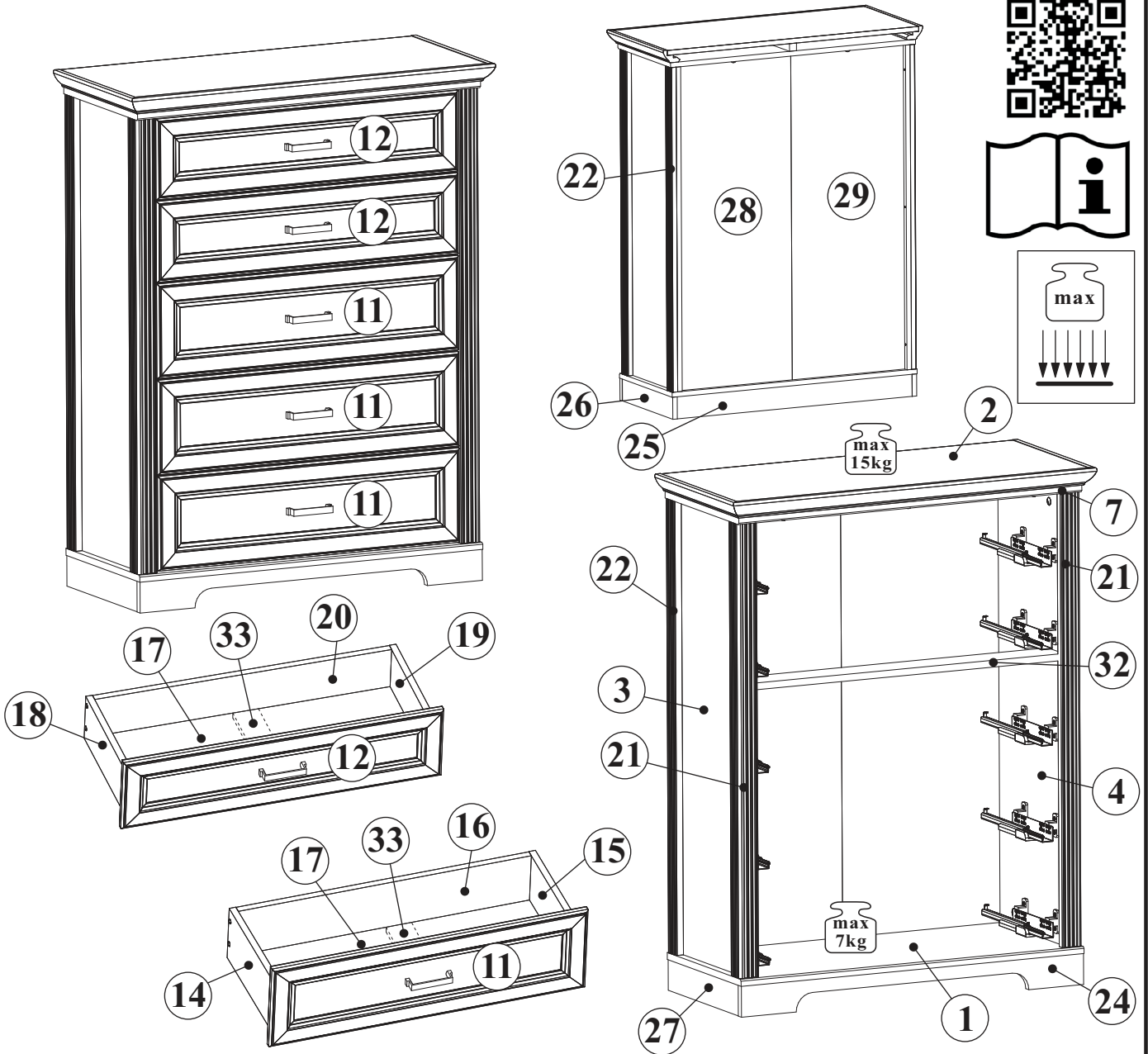
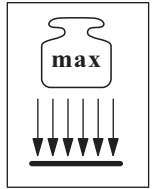
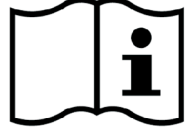
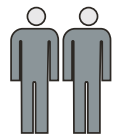


JASMIN 50 33 -- 27

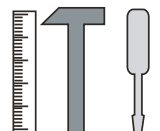


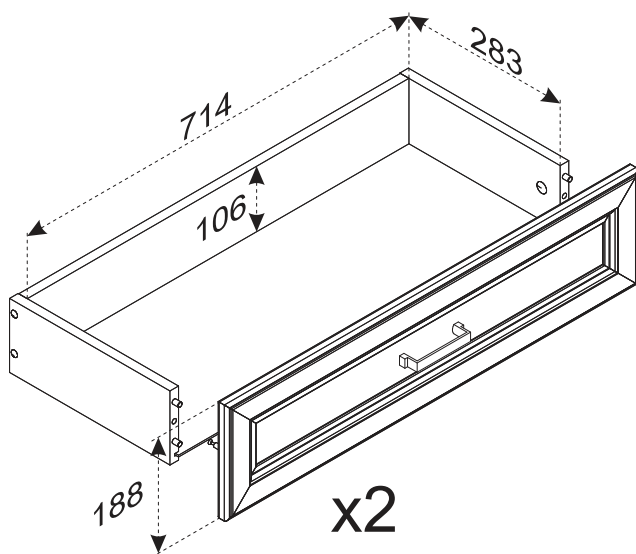
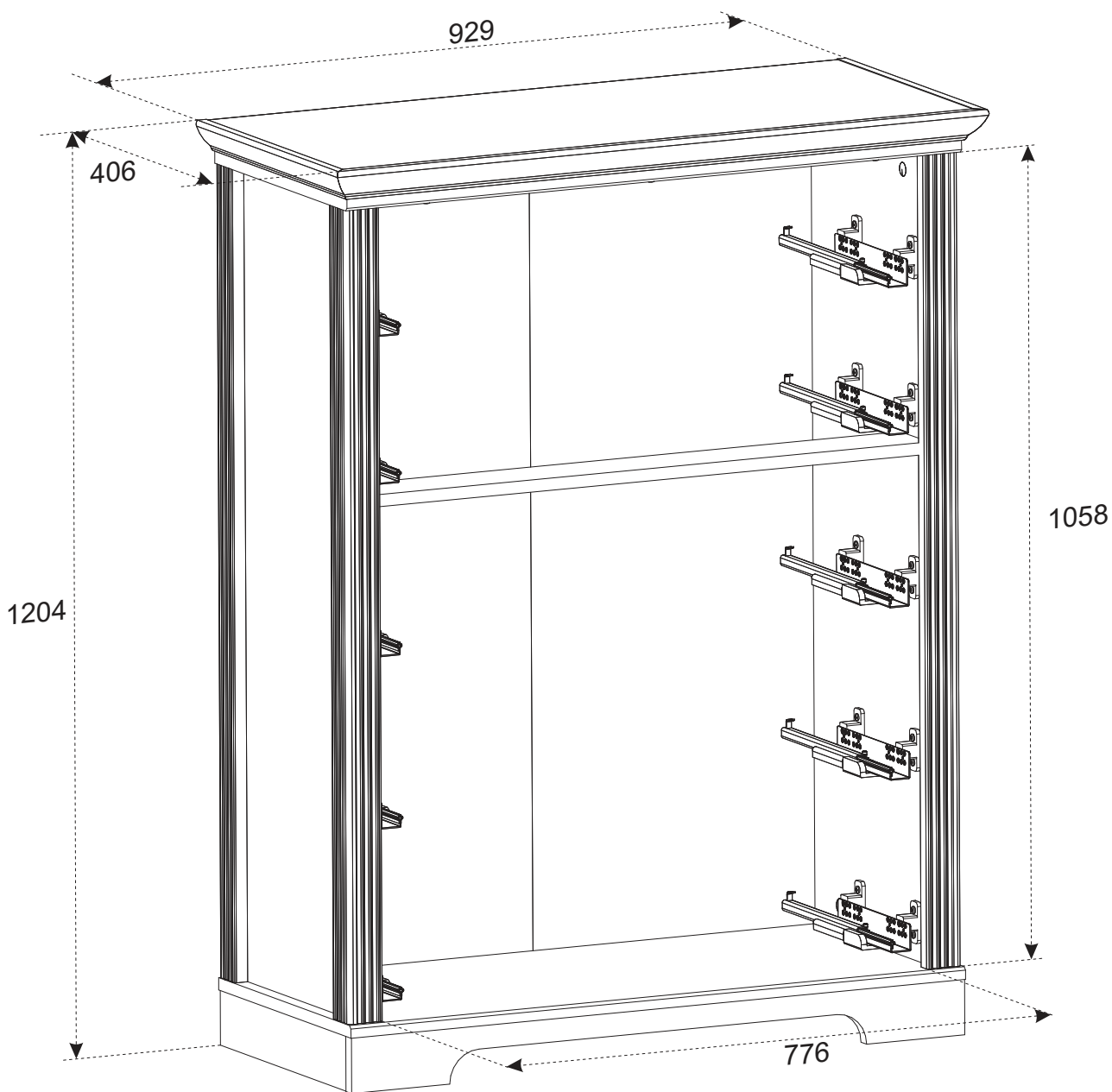
NO	Dim.			Col.-No	Qty
1	876	380	16	2	1
2	929	406	42	1	1
3	1058	353	16	1	1
4	1058	353	16	1	1
7	876	380	16	2	1
12	770	188	22	3	2
11	770	220	22	3	3
18	300	120	16	1	2
19	300	120	16	1	2
20	714	106	16	1	2
17	304	726	3	3	6
14	300	140	16	1	3
15	300	140	16	1	3

NO	Dim.			Col.-No	Qty
16	714	126	16	1	3
21	1058	49	49	1	2
22	1058	43	19	1	2
24	874	72	16	2	1
25	840	72	16	2	1
26	363	72	16	2	1
27	363	72	16	2	1
33	299	80	16	2	5
32	804	80	16	2	1
28	1070	408	3	3	1
29	1070	408	3	3	1

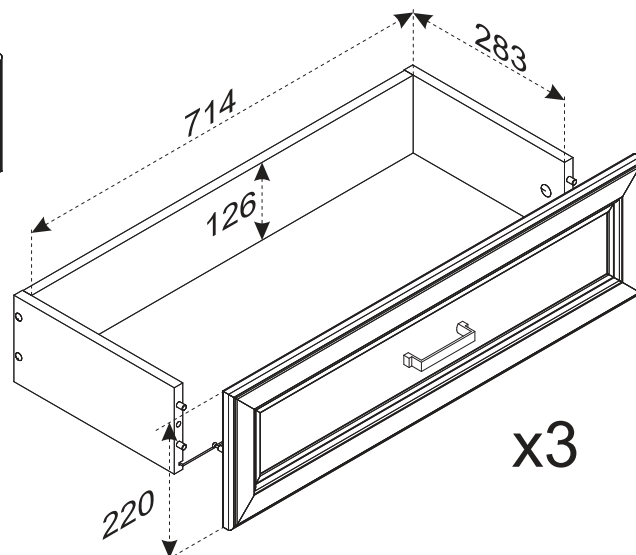


180 min

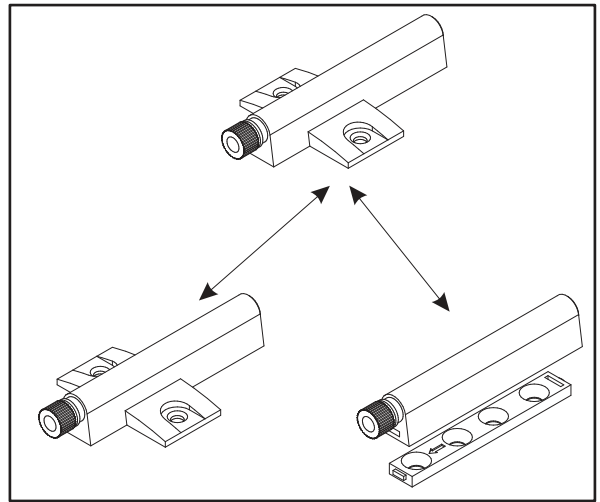
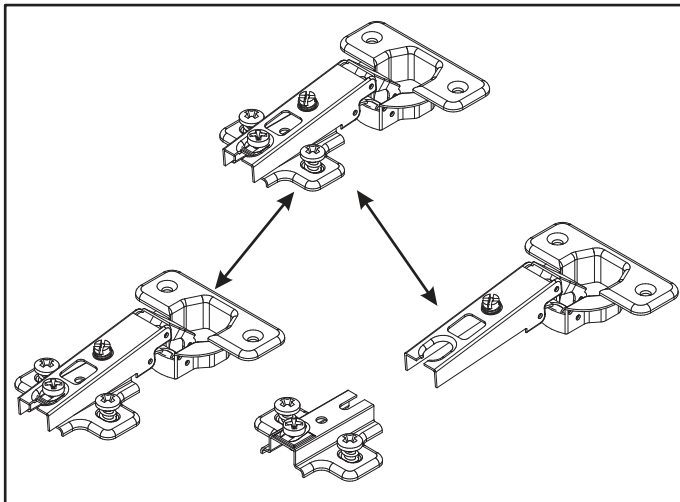
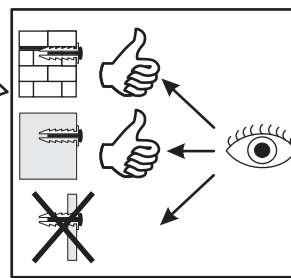
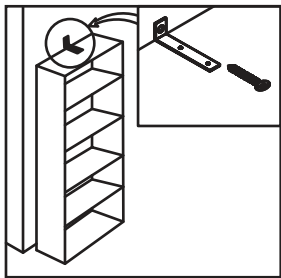
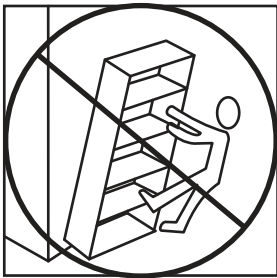
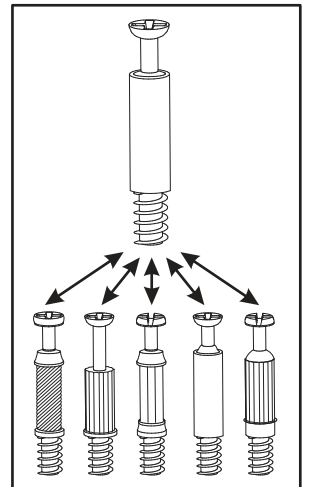
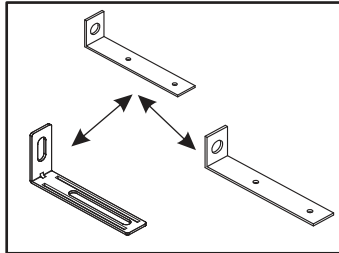
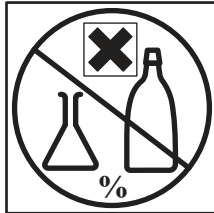
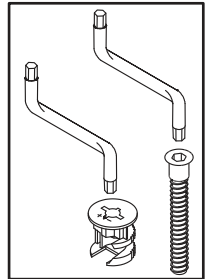
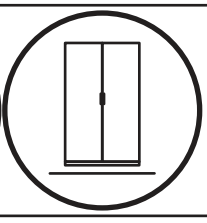
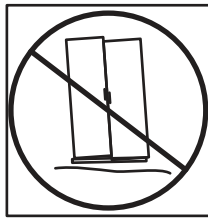
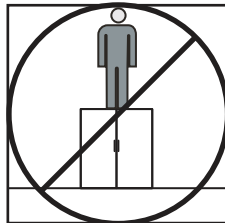
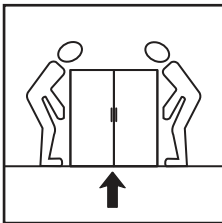
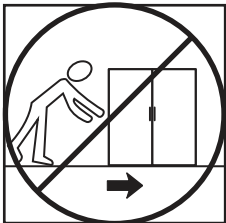
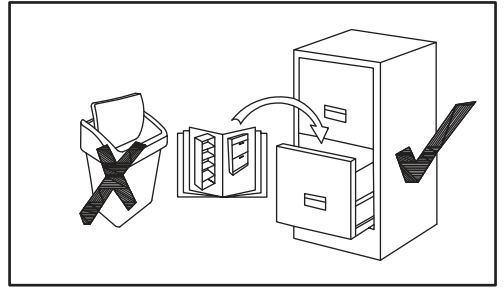
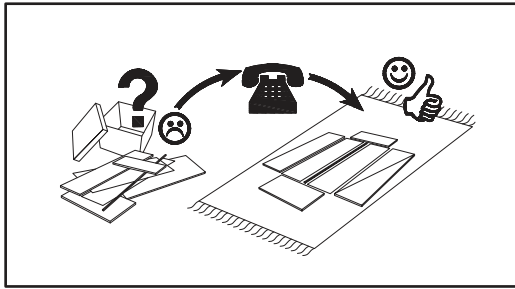
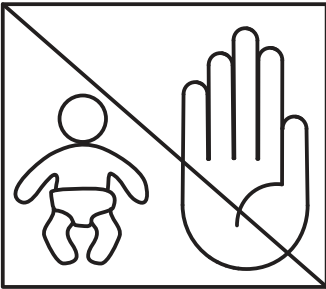
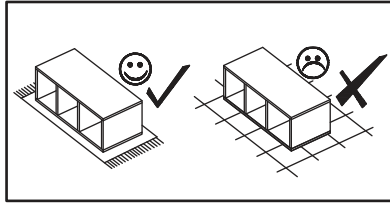
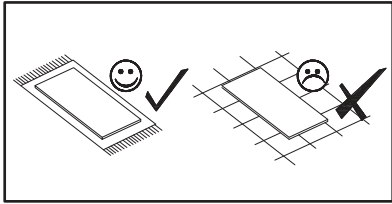




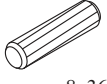
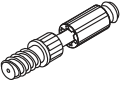


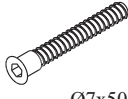





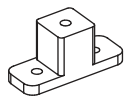
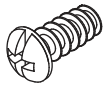
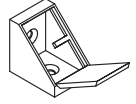
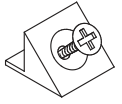


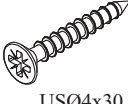


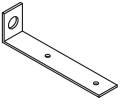
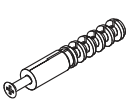
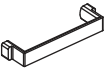

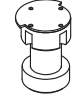
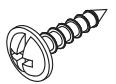

x2

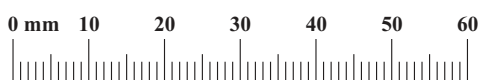


x3



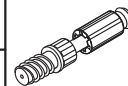
JASMIN 50 33 -- 27

A1 x52  ø8x36	B4 x31 	B5 x31  ø15x12	G5 x31 	B11 x20  Ø7x50	G4 x20 
B14 x7  Ø7x30	G12 x19  Ø14	QU x5  L-300	D20 x20  ESØ6,3x9,5	H1 x20 	EK6 x40  EKØ6,3x13
KM1 x1 	S1 x26 	I2 x5 	D10 x4  USØ3,5x13	D24 x12  USØ4x30	UP13 x20  UPØ3x16
UP6 x10  UPØ4x30	L1 x1 	KR1 x1 	C19 x5 	D34 x10  M4x16	I99 x1  H-75 mm.
UP9 x4  UPØ3,5x16	G2 x1 				

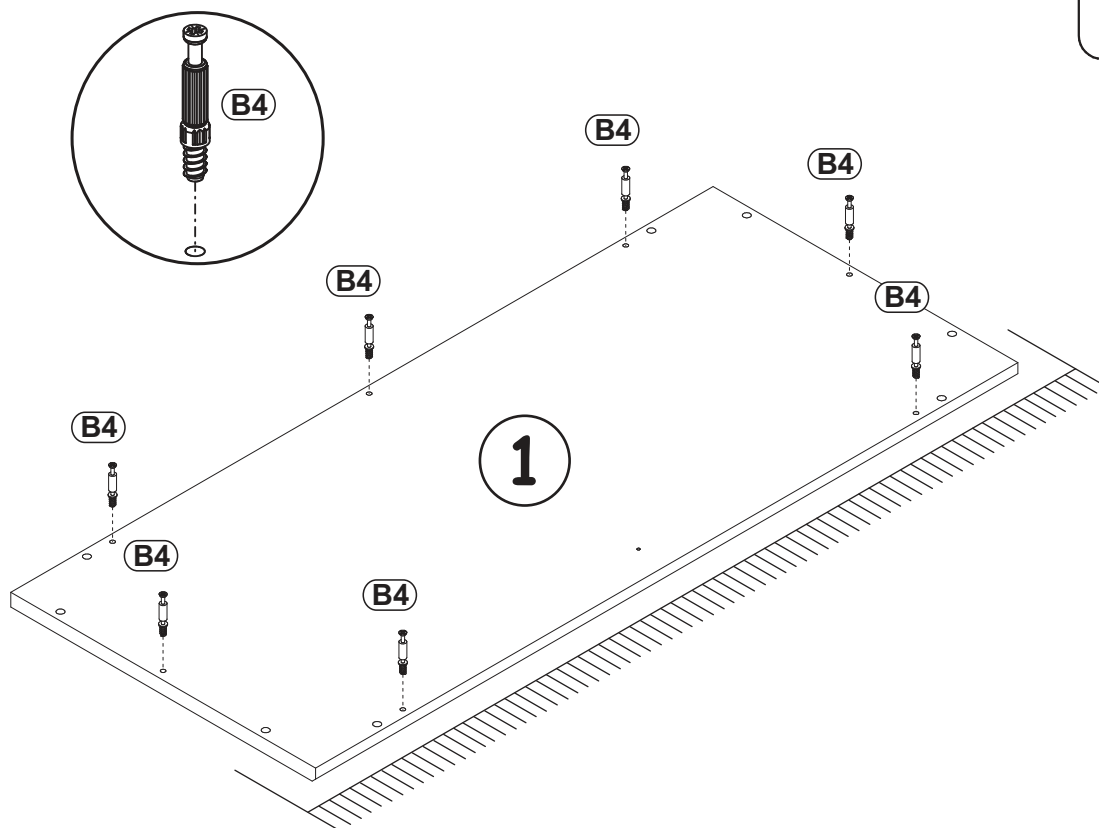


B4

x7



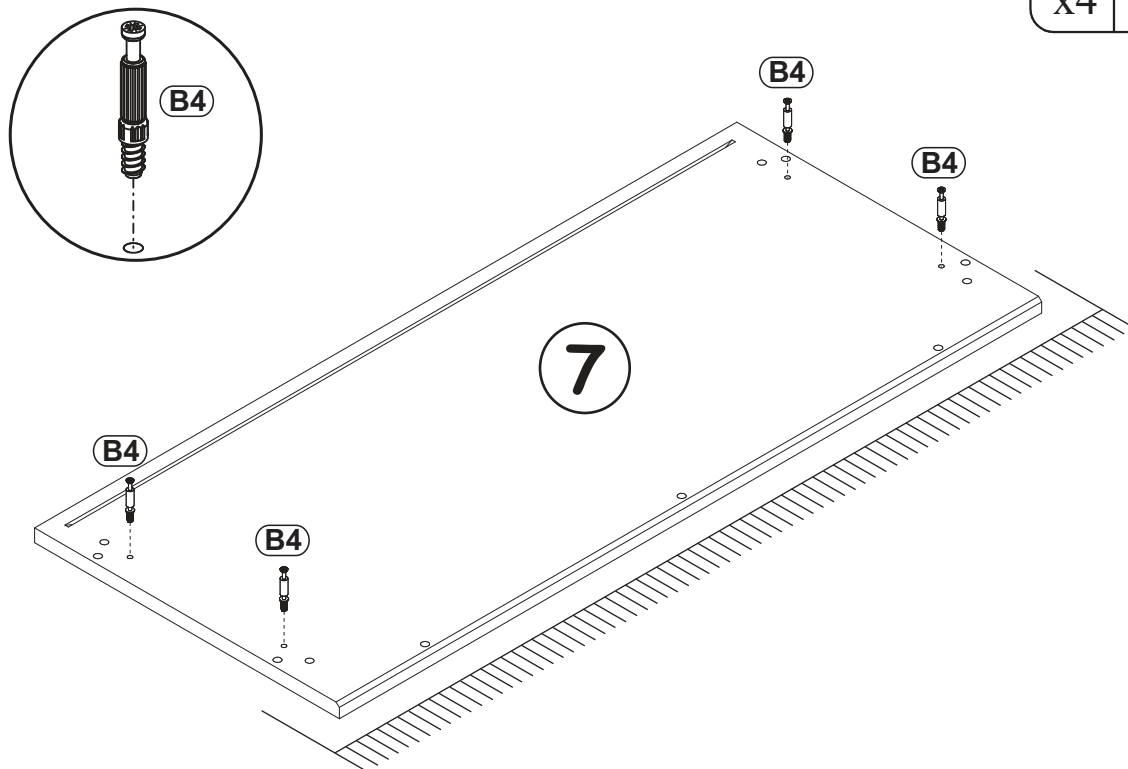
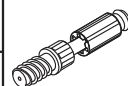
1



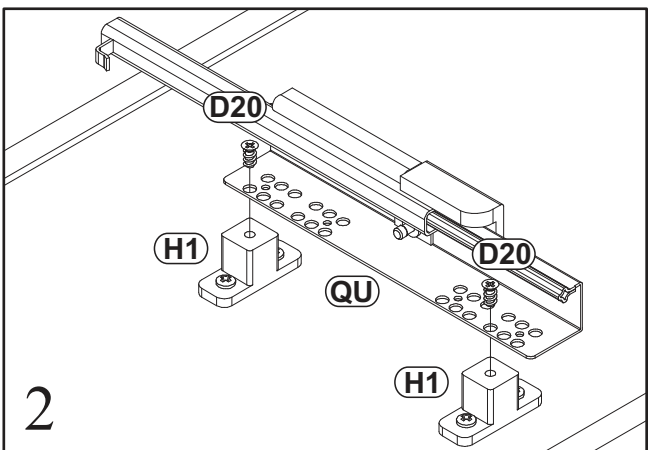
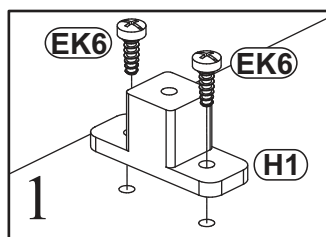
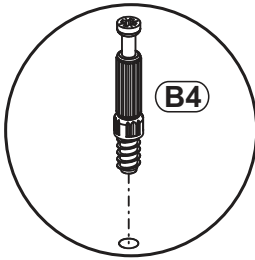
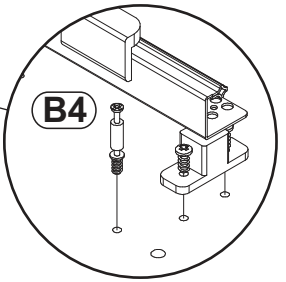
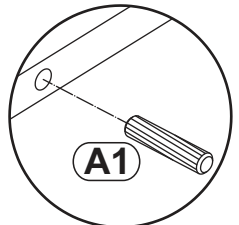
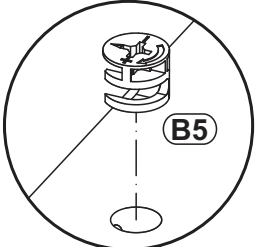
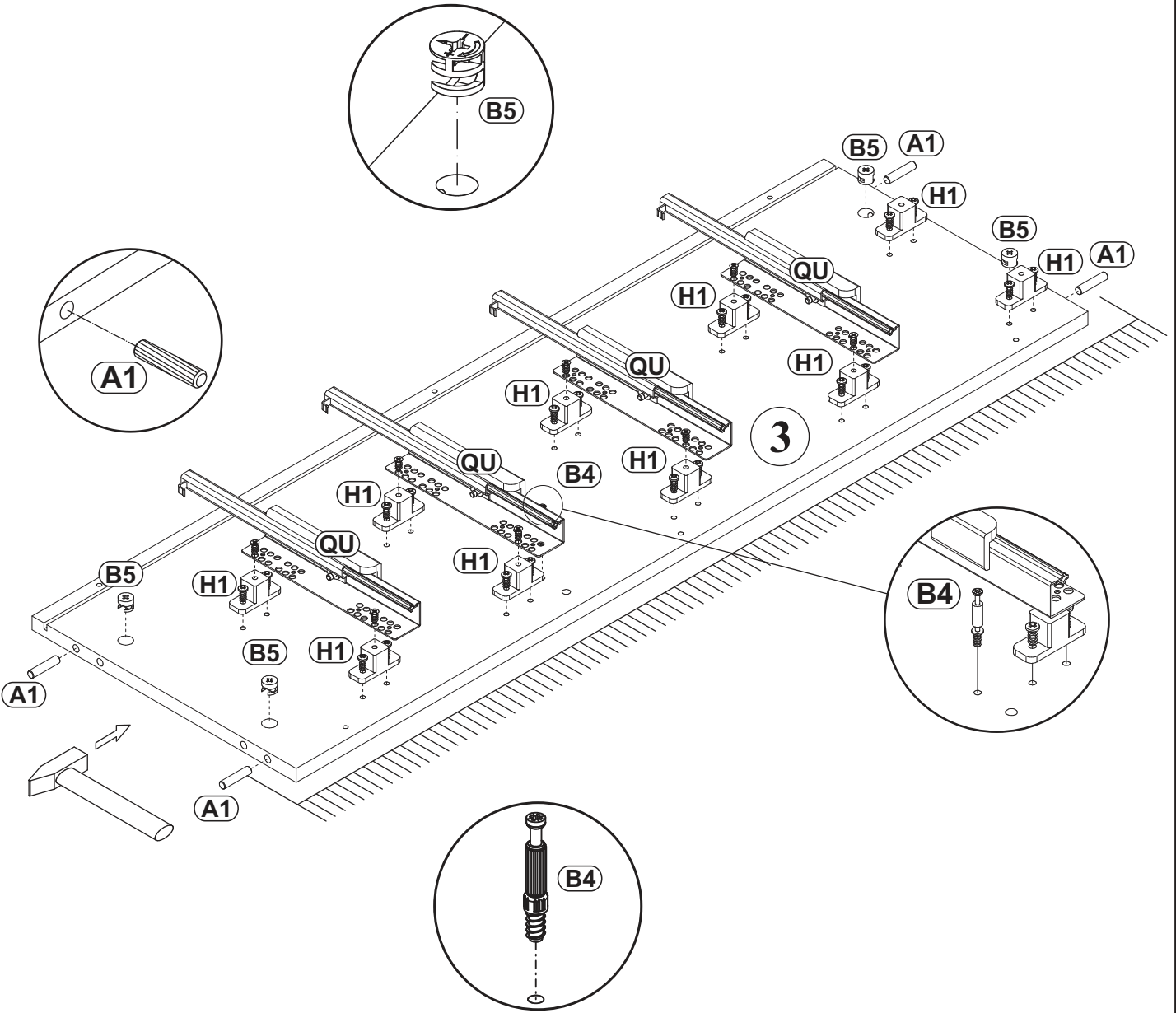
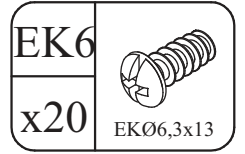
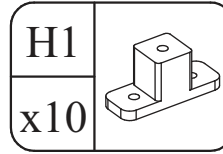
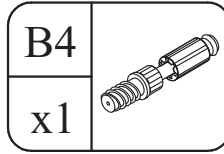
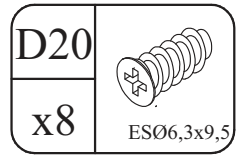
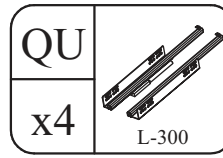
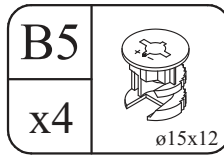
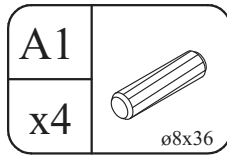
2

B4

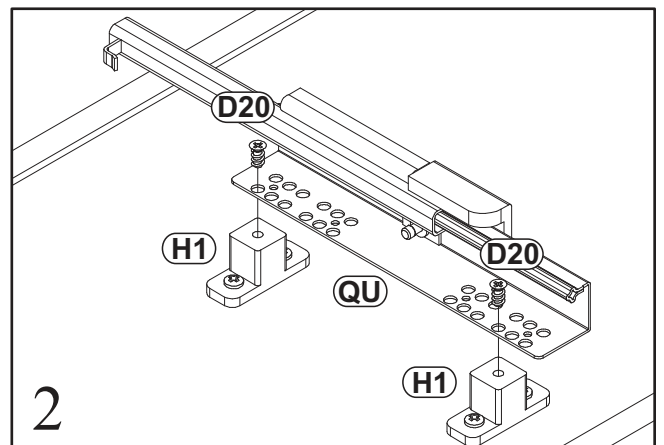
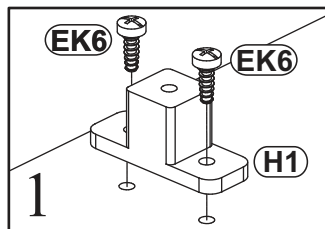
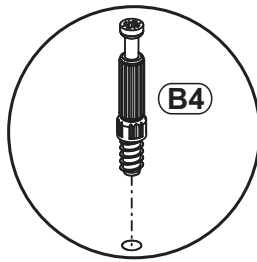
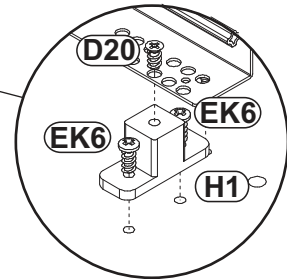
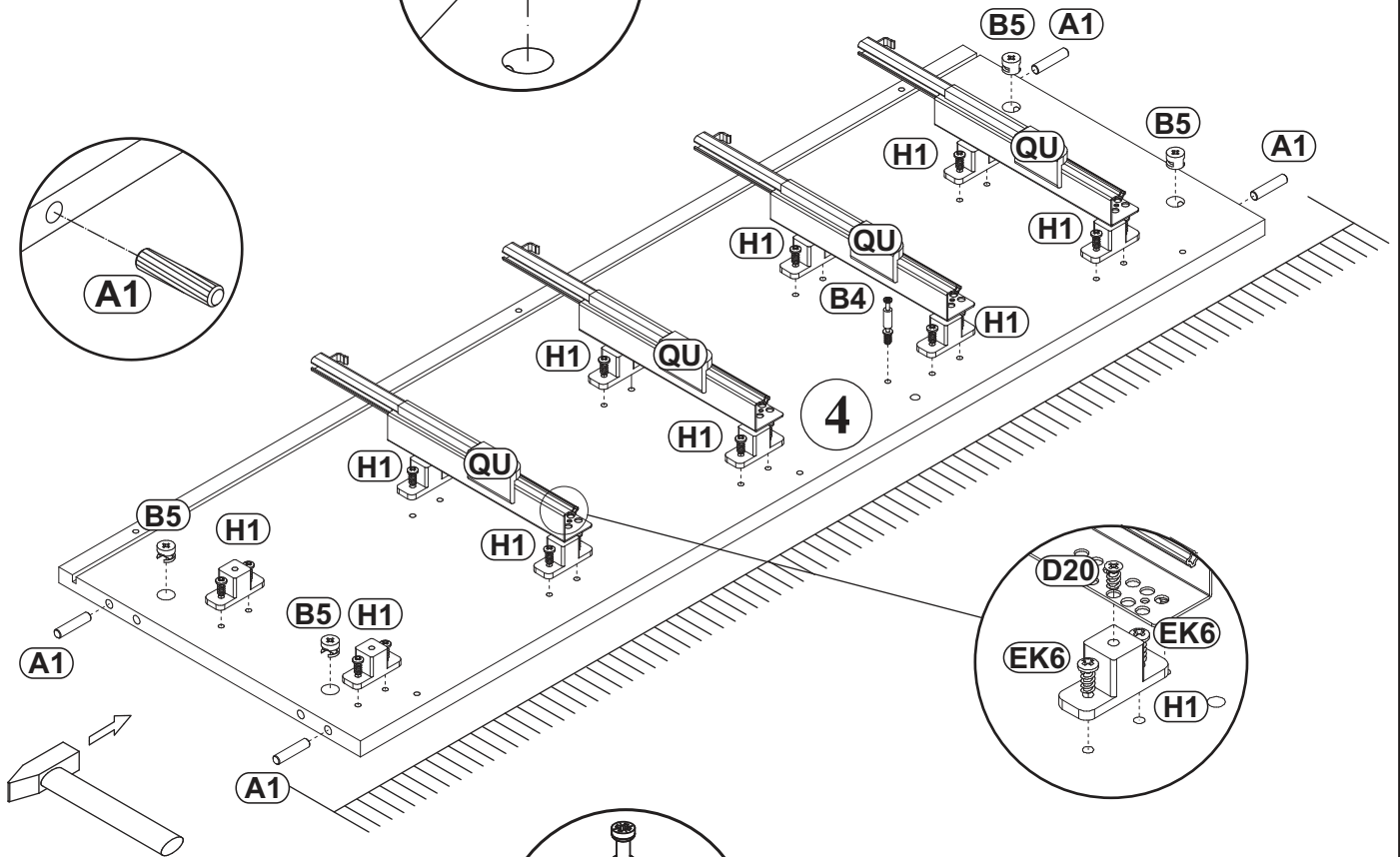
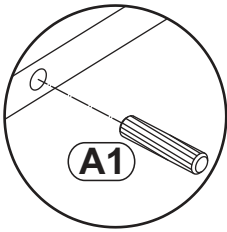
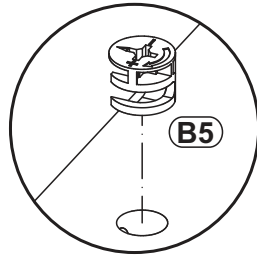
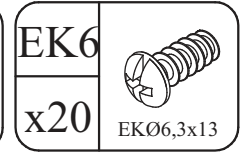
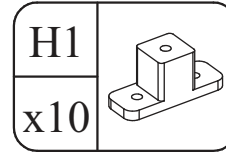
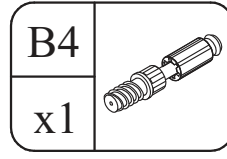
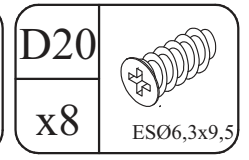
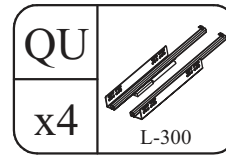
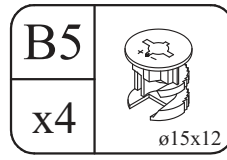
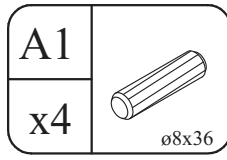
x4



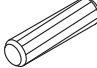
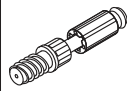
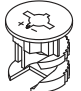
3

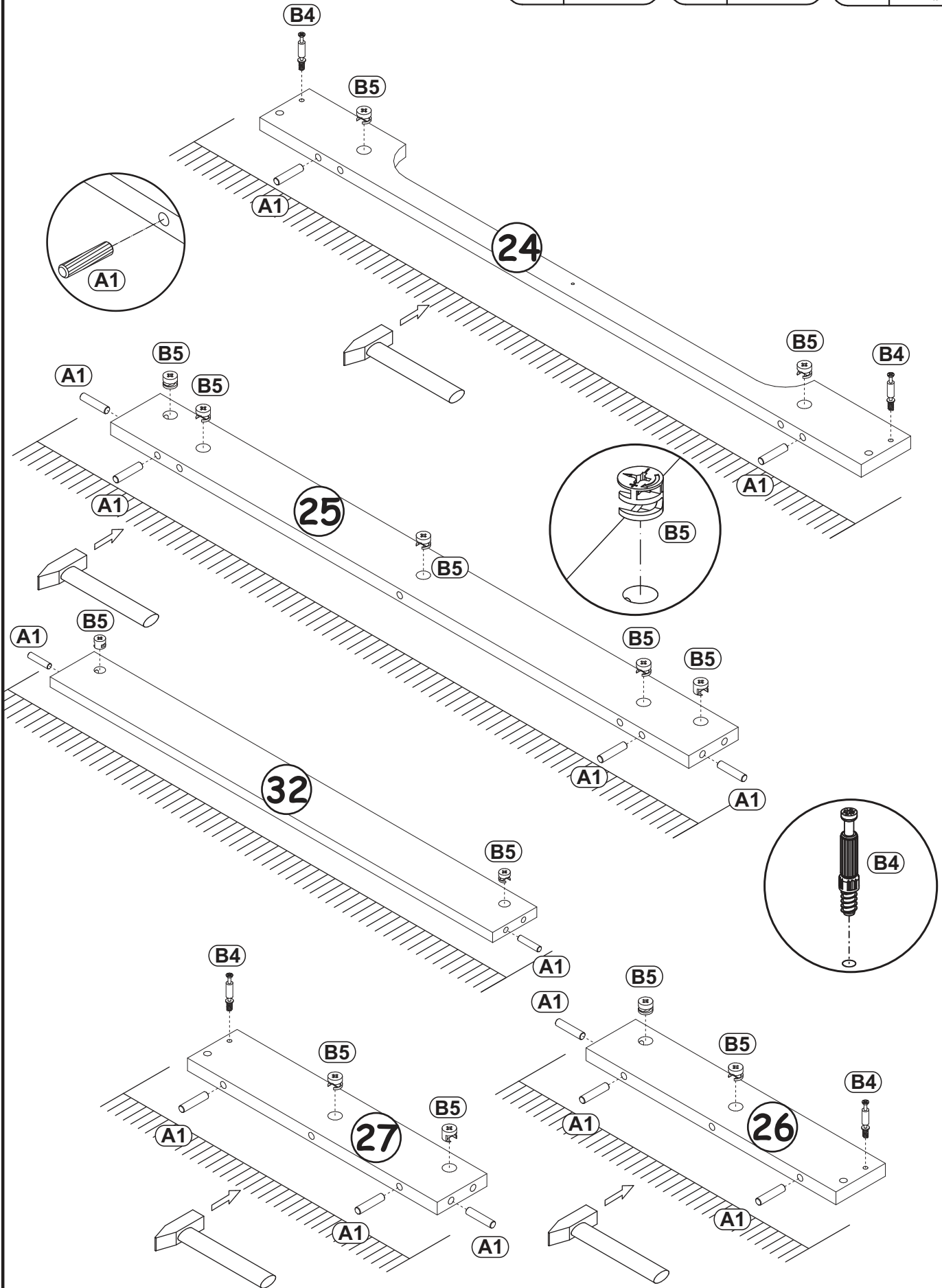


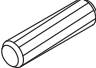
4

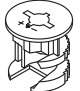


5

A1		B4		B5	
x14	ø8x36	x4		x13	ø15x12

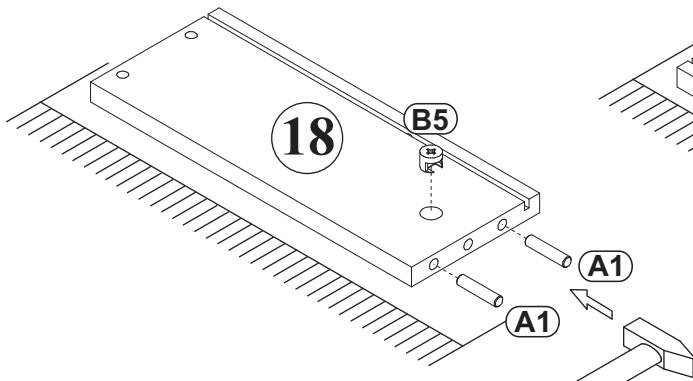


A1	
x12	ø8x36

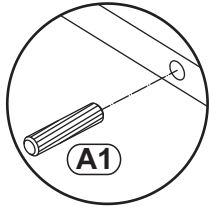
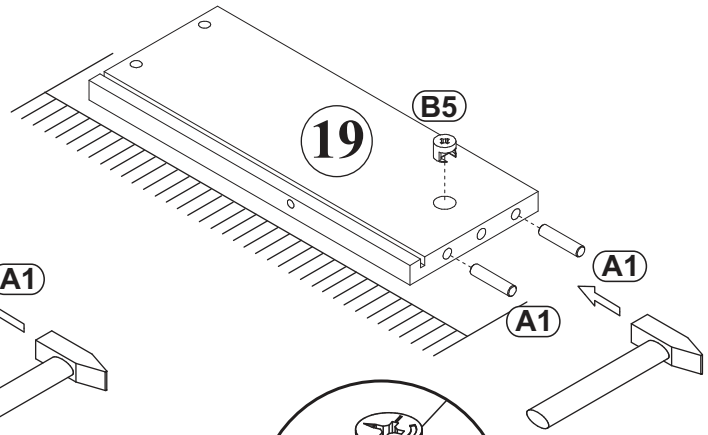
B5	
x4	ø15x12

6

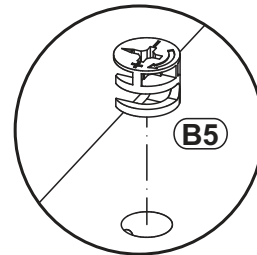
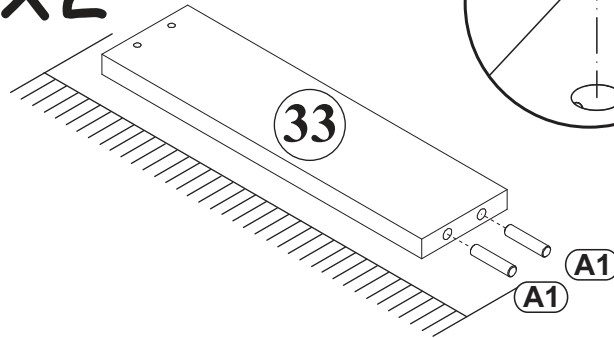
x2



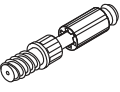
x2

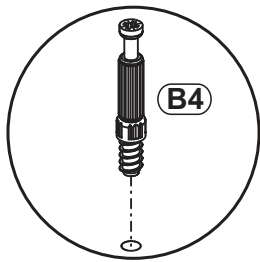


x2

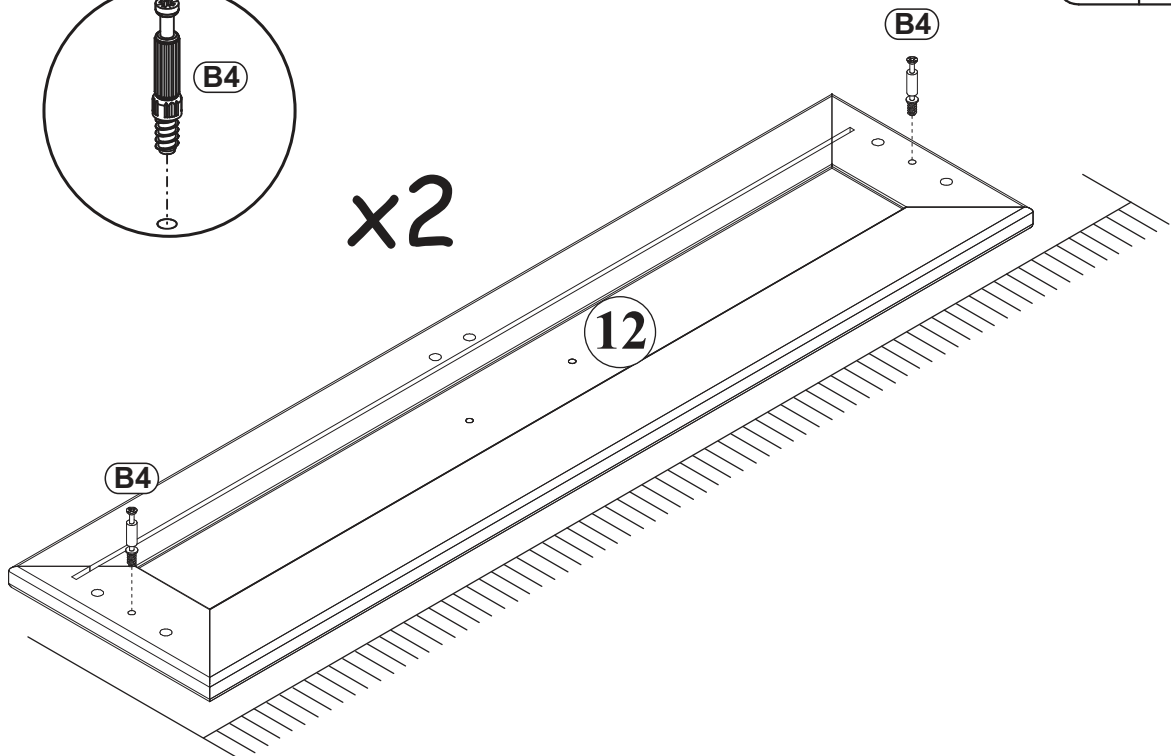


7

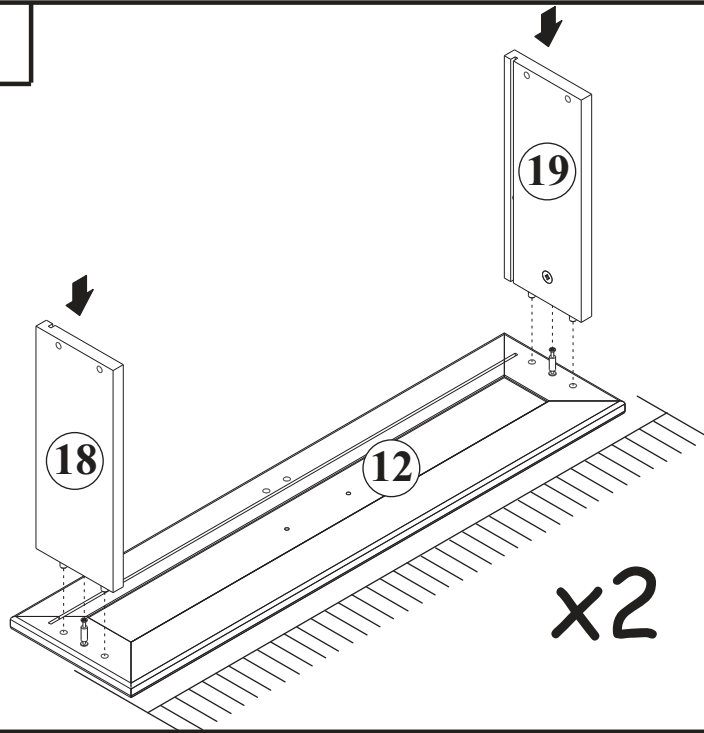
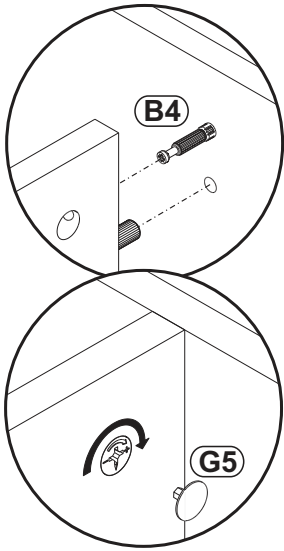
B4	
x4	



x2

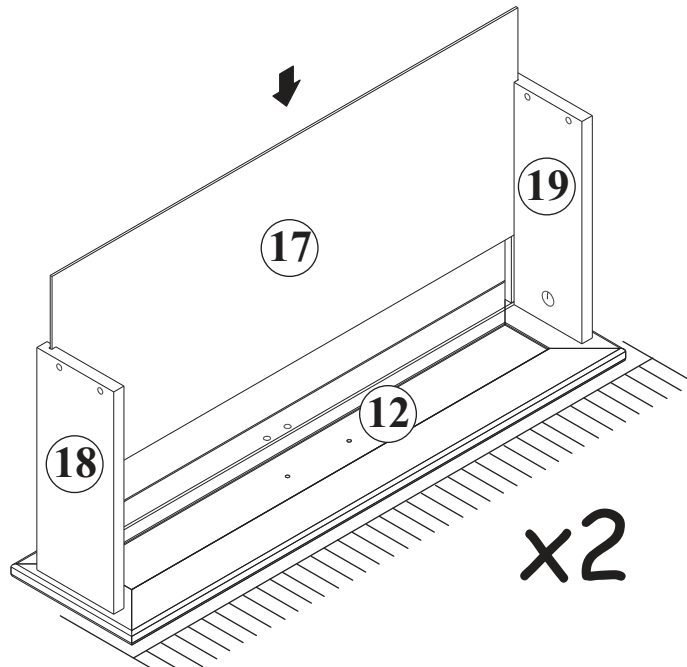


8

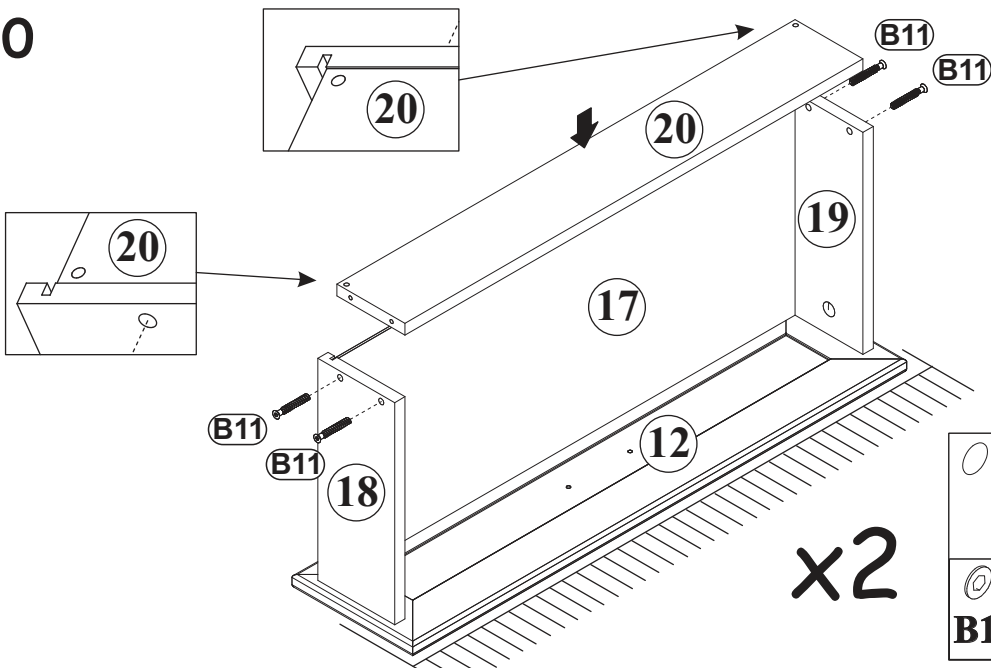


G5	
x4	

9

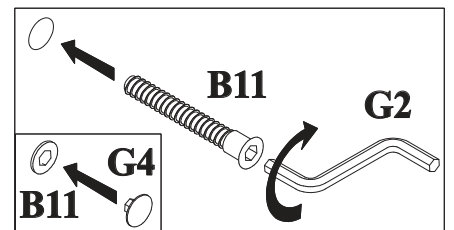


10

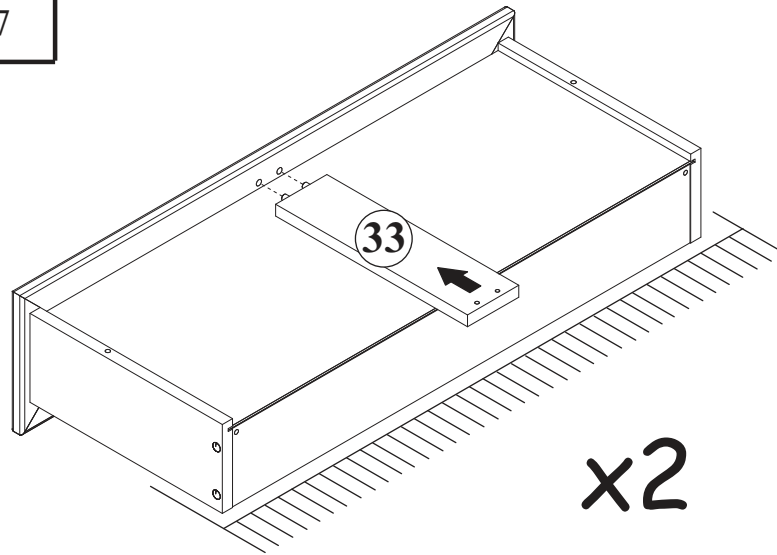


G4	
x8	

B11	
x8	Ø7x50

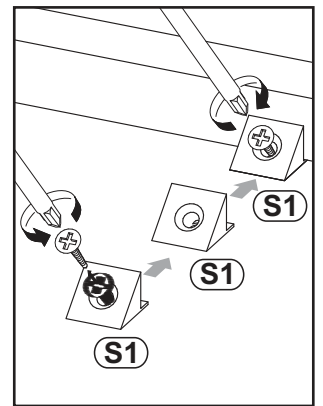
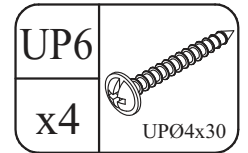
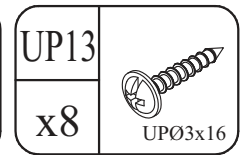
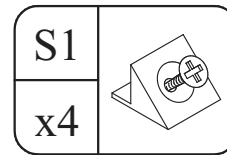
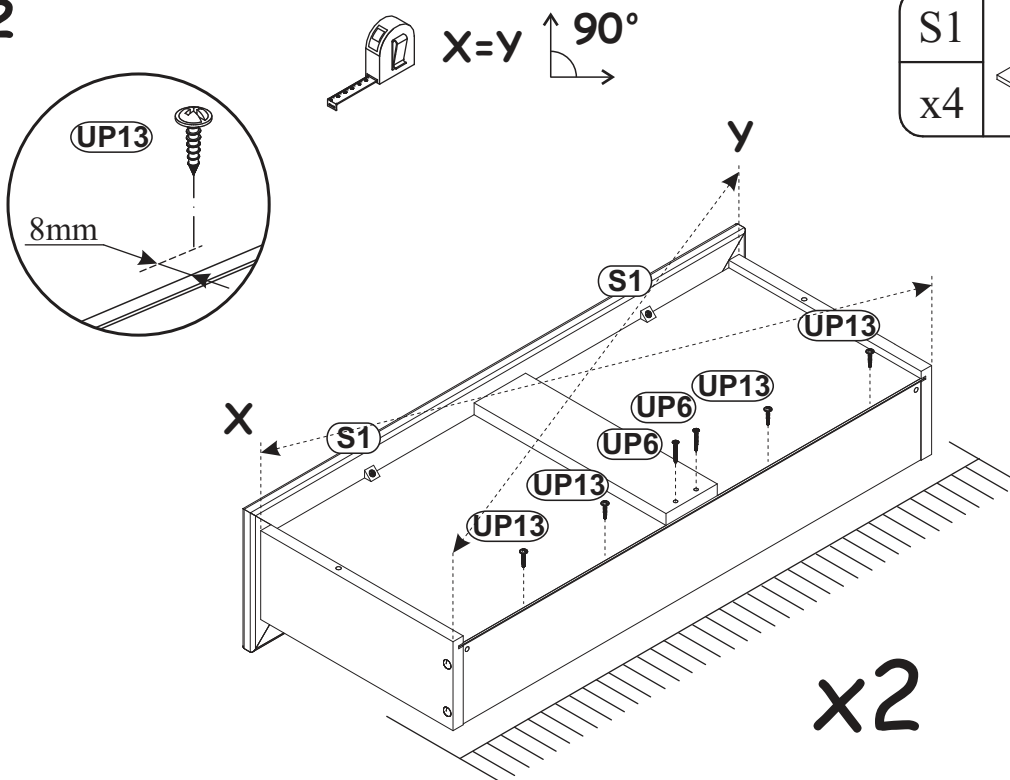


11



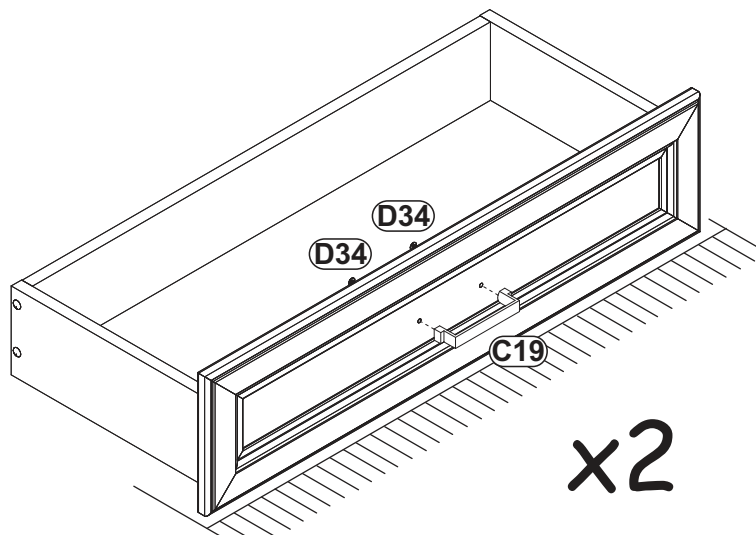
x2

12

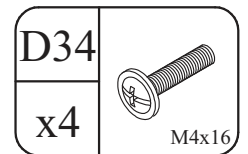
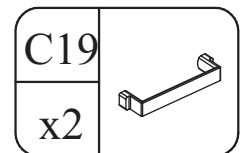


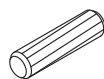
x2


13



x2

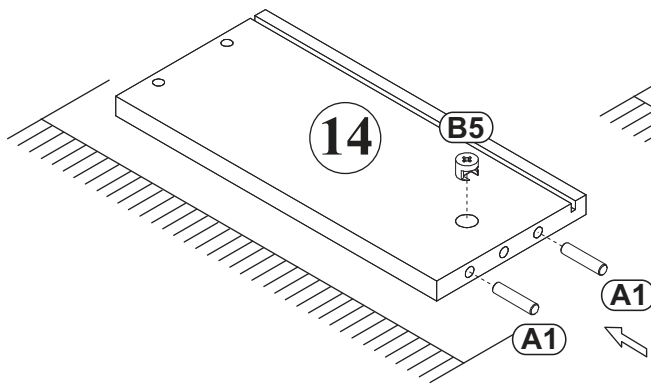


A1	
x18	ø8x36

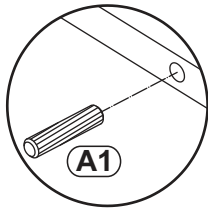
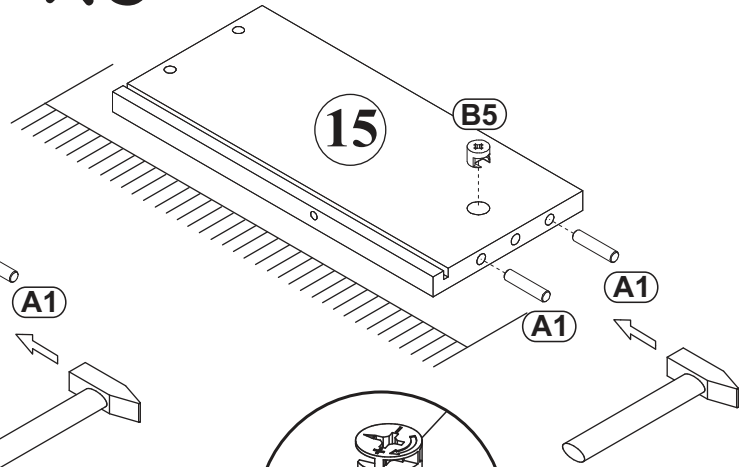
B5	
x6	ø15x12

14

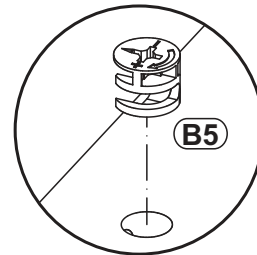
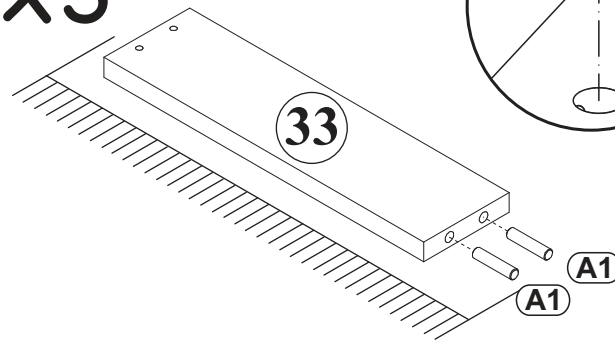
x3



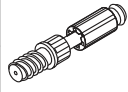
x3

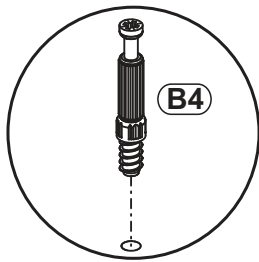


x3

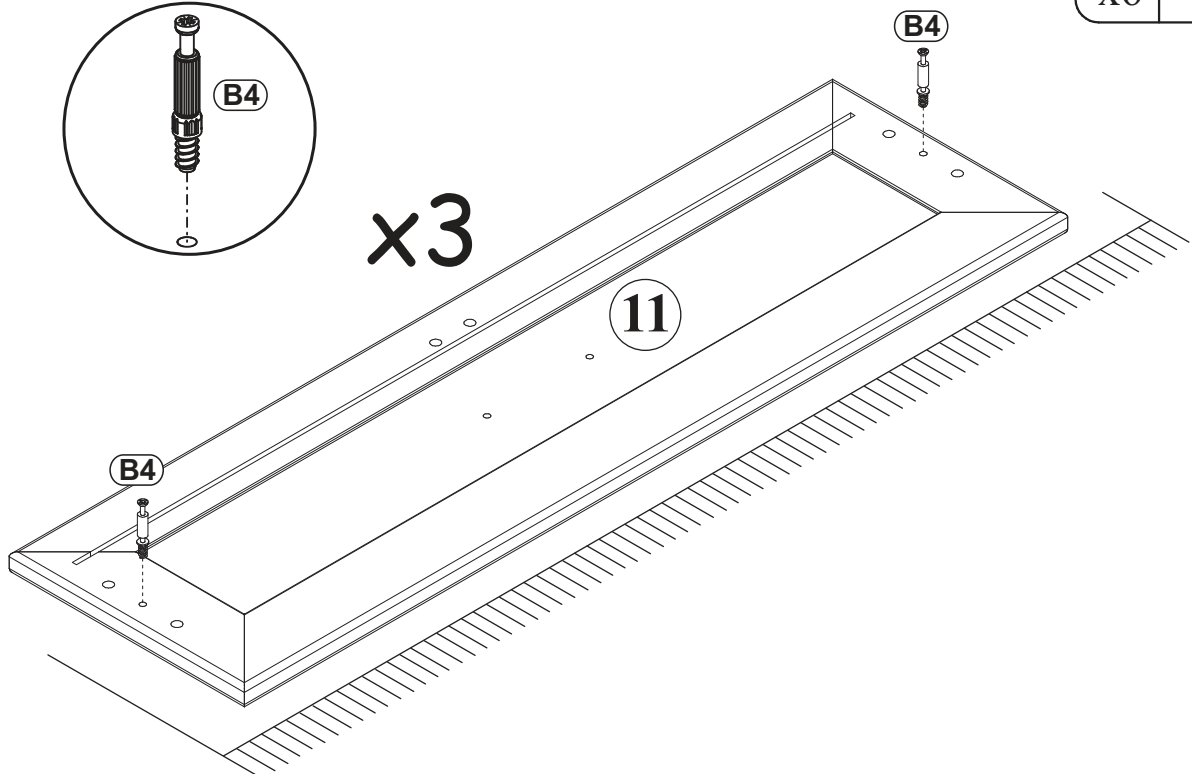


15

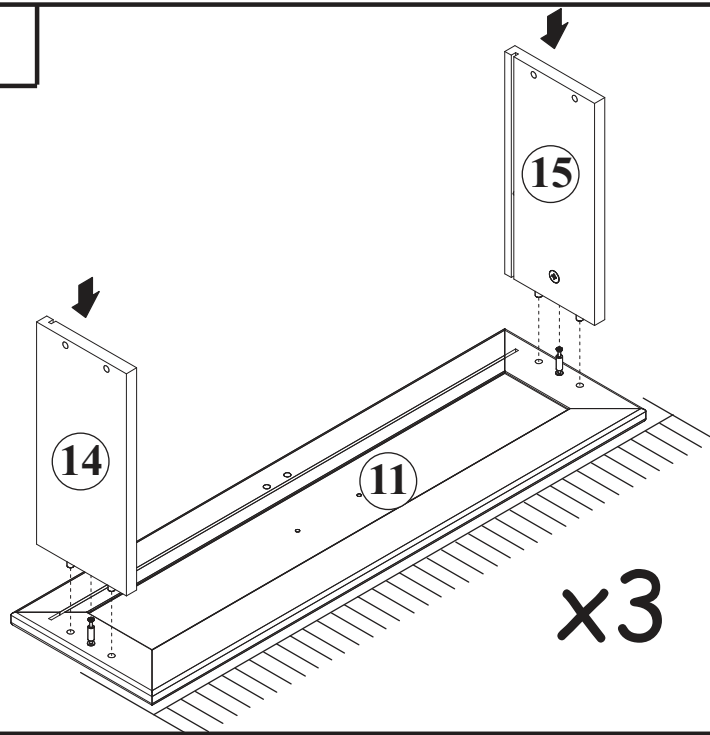
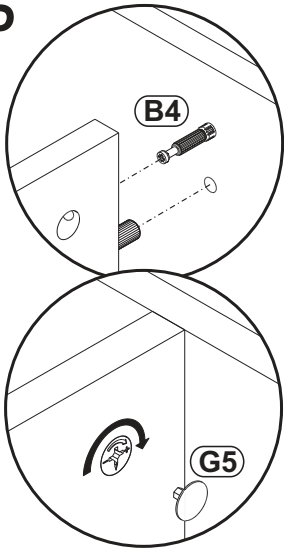
B4	
x6	



x3

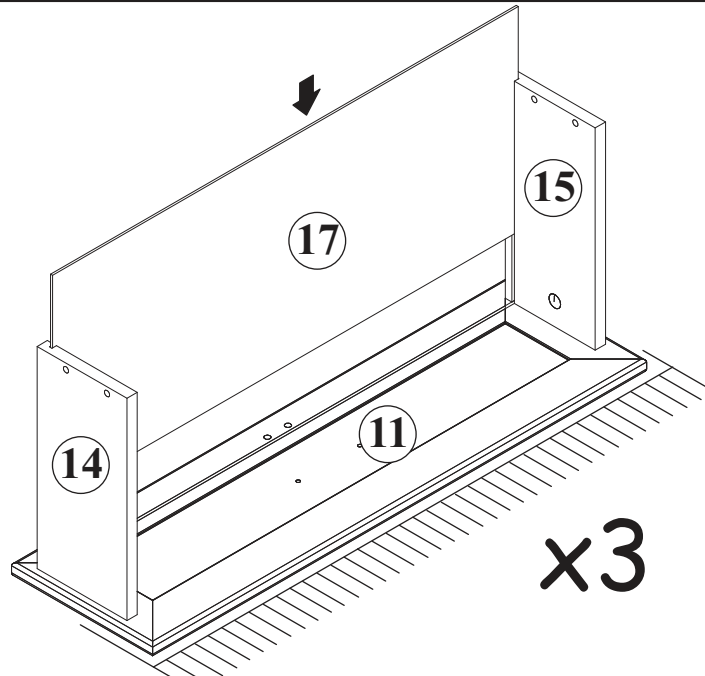


16

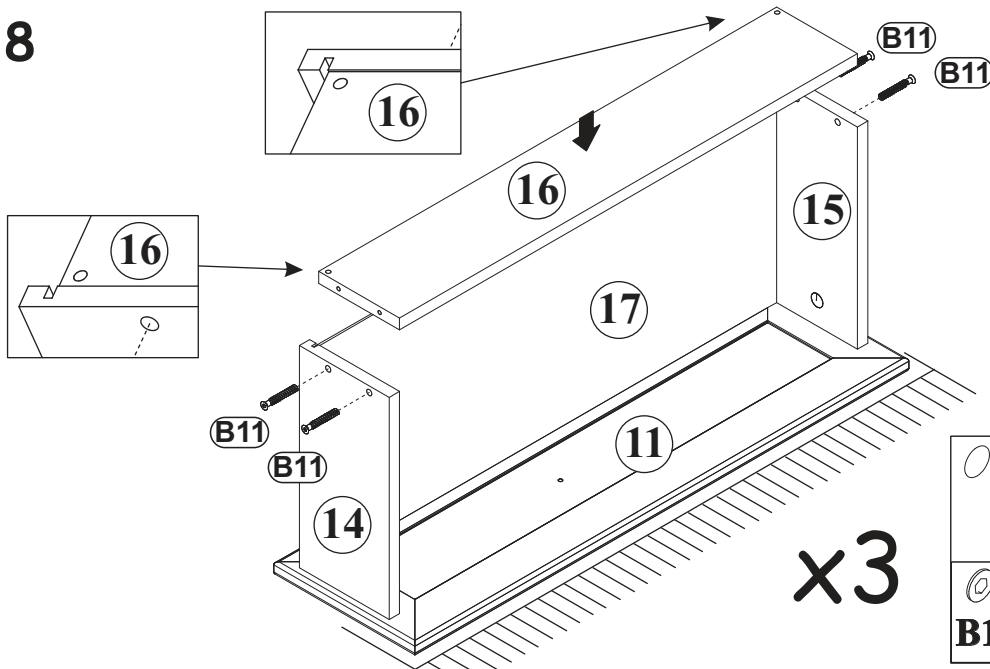


G5	
x6	

17

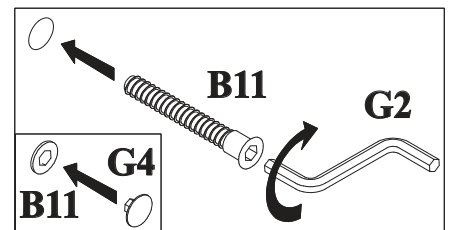


18

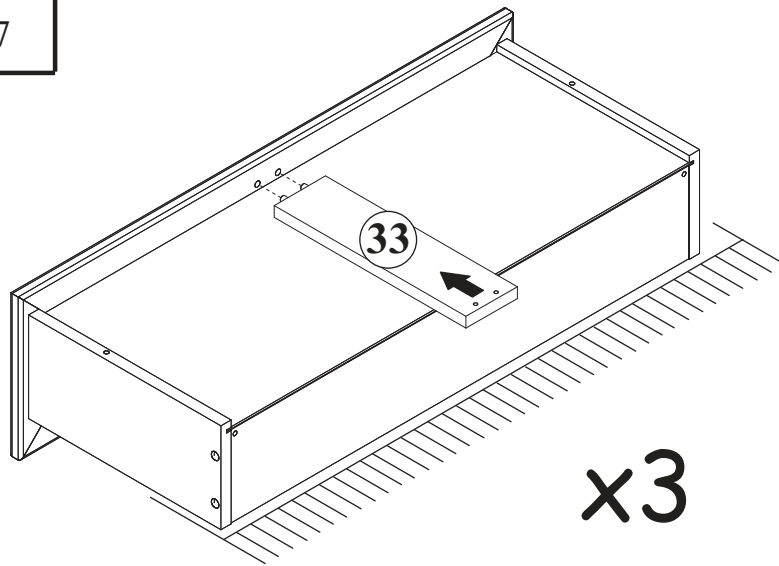


G4	
x12	

B11	
x12	Ø7x50

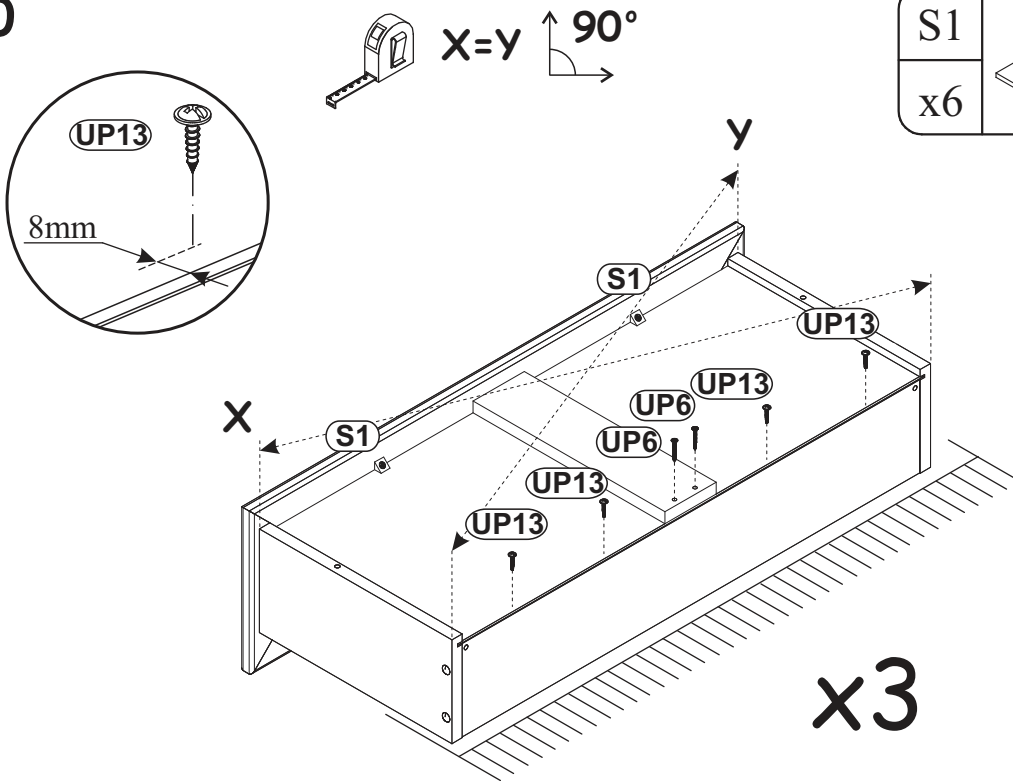


19



x3

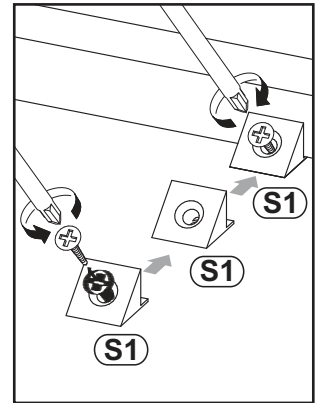
20



S1	
x6	

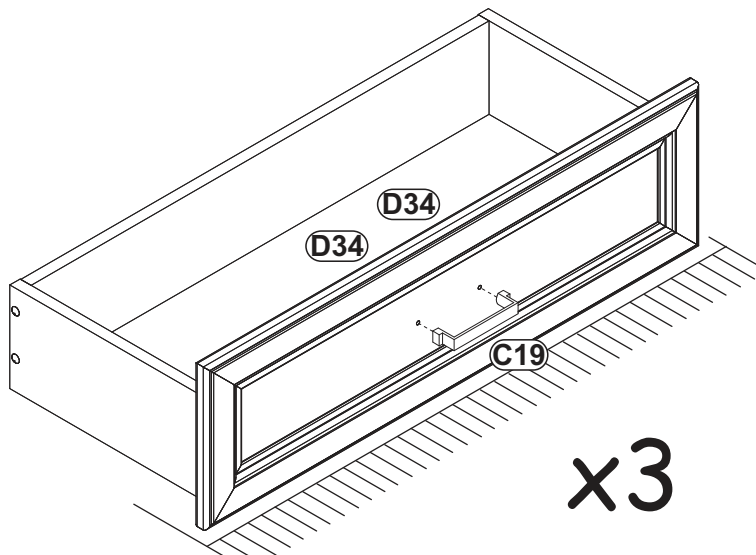
UP13	
x12	UPØ3x16

UP6	
x6	UPØ4x30



x3

21




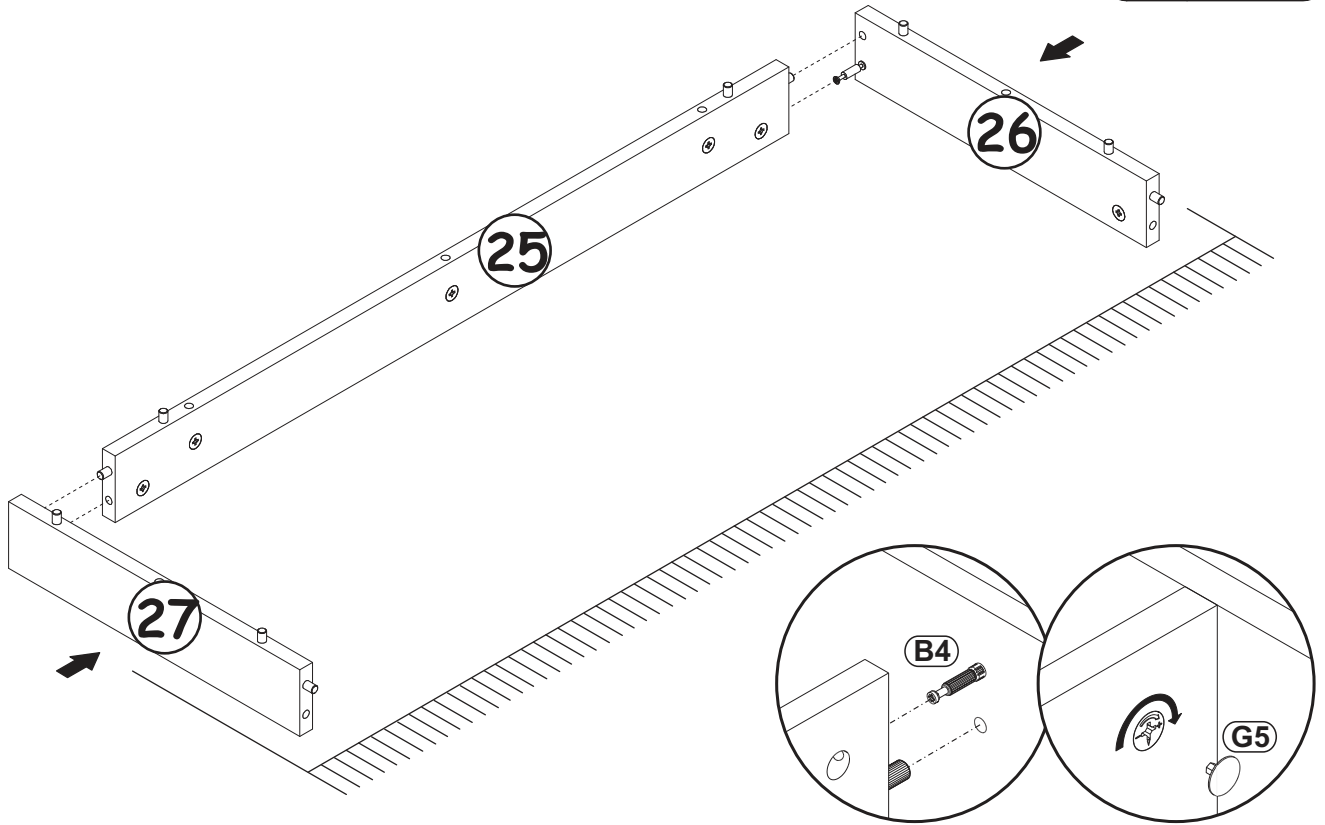
C19	
x3	

D34	
x6	M4x16


x3

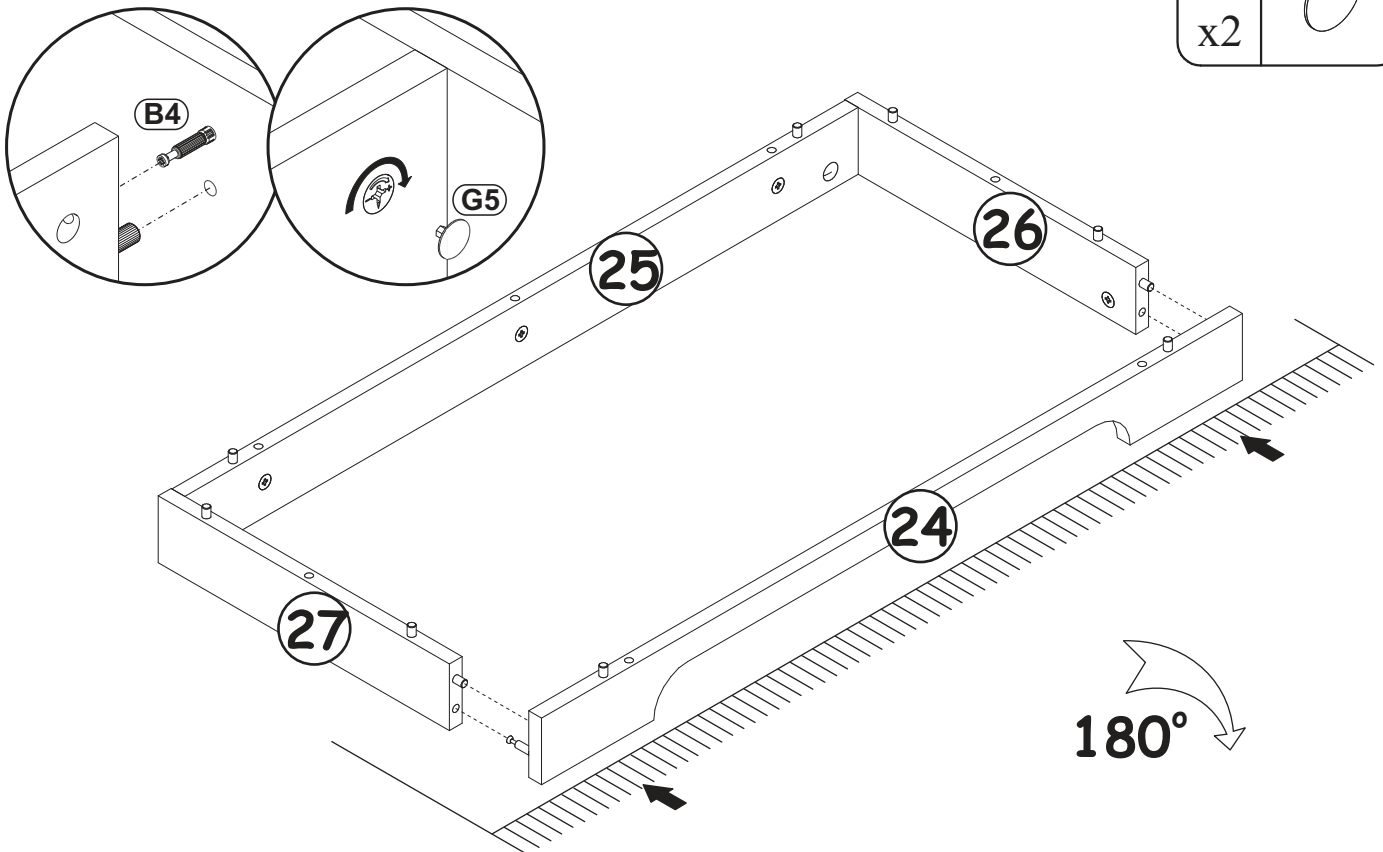
22

G5	
x2	




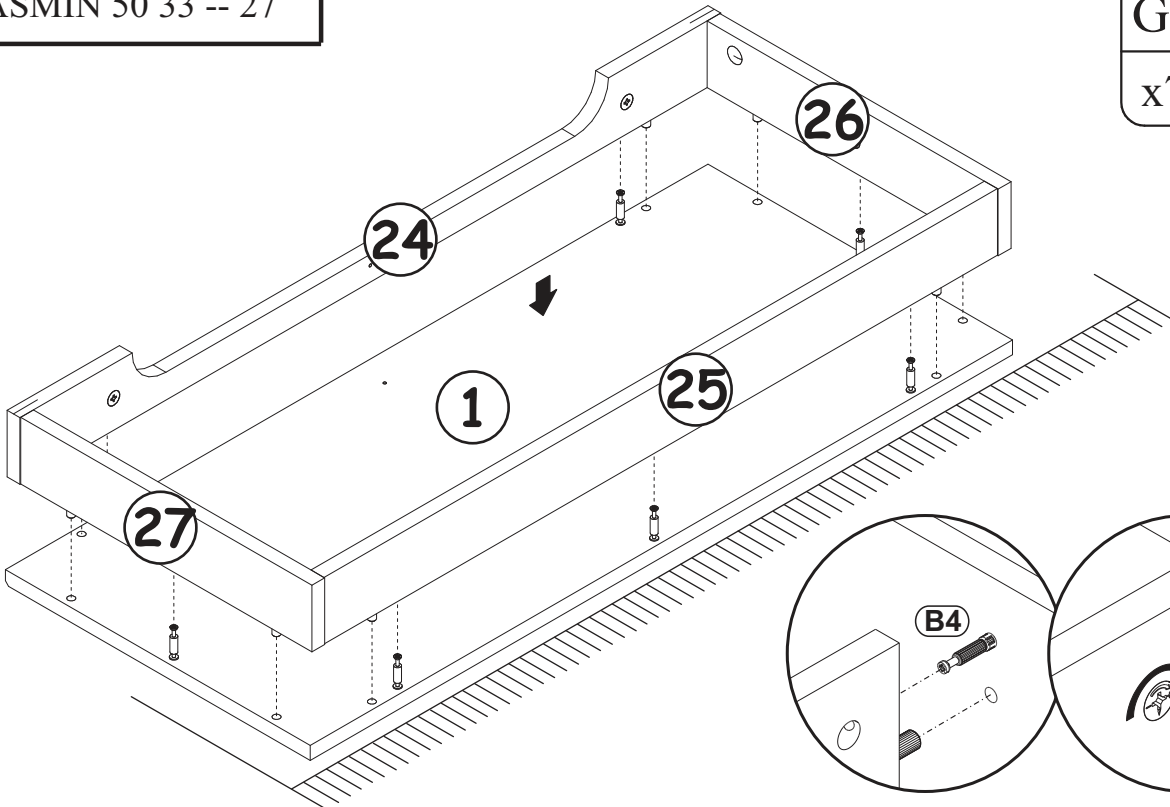
23

G5	
x2	

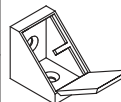


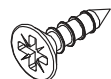
24


G5	
x7	

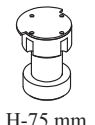



25

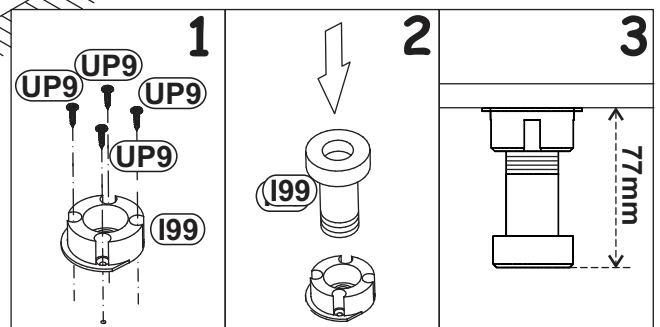
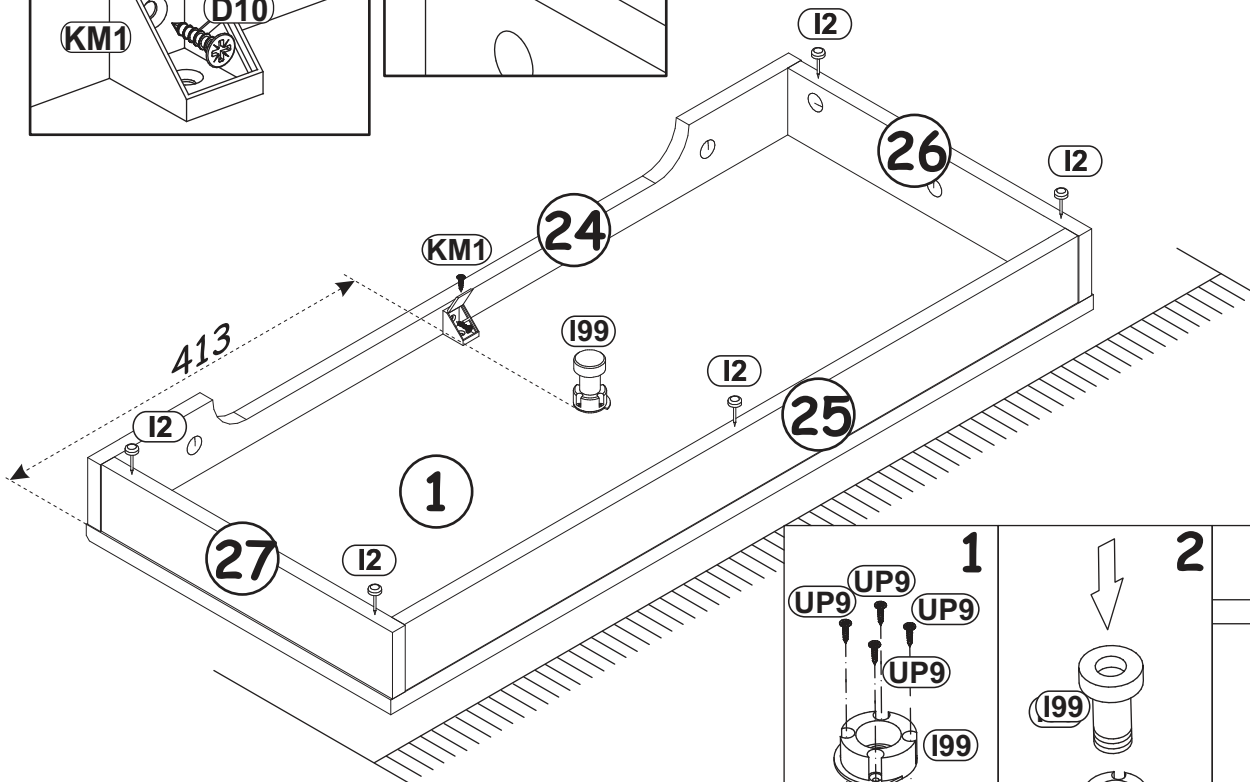
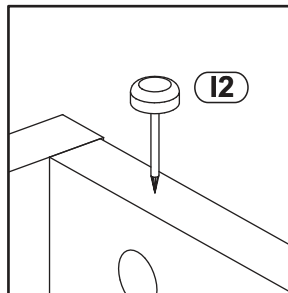
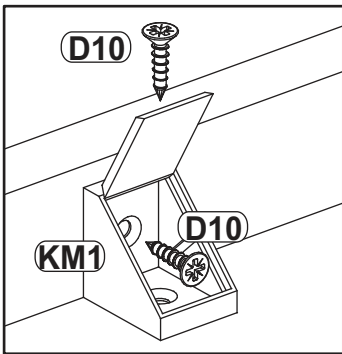
KM1	
x1	

D10	
x2	USØ3,5x13

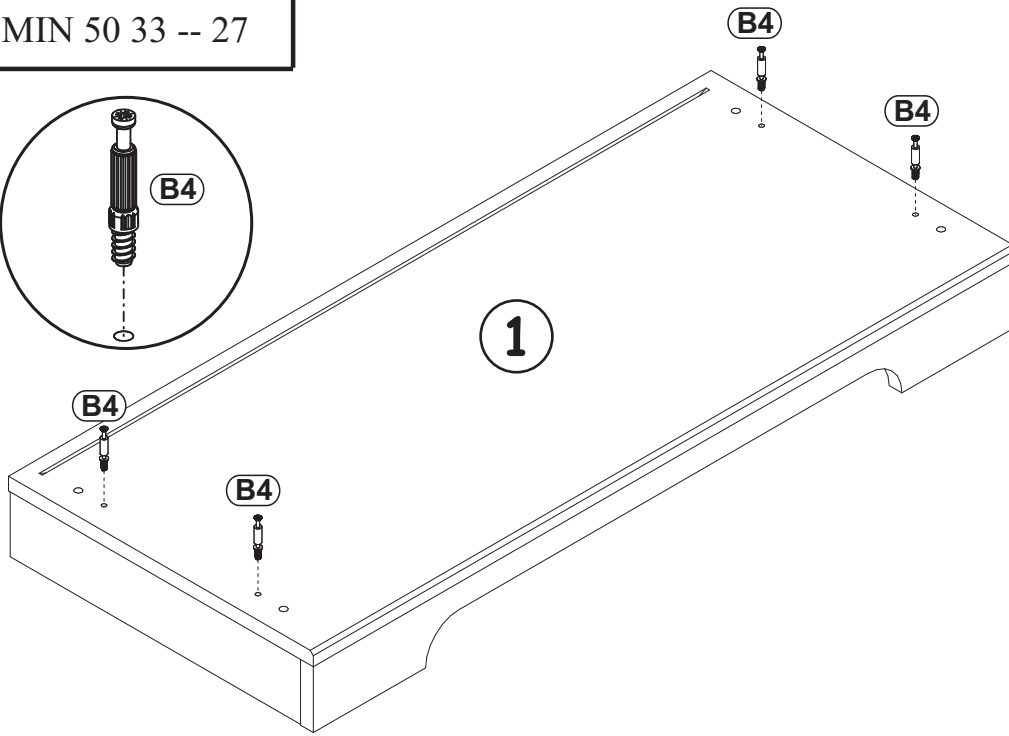
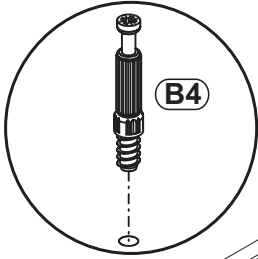
I2	
x5	

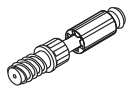
I99	
x1	H-75 mm.

UP9	
x4	UPØ3,5x16




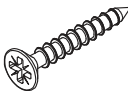
26

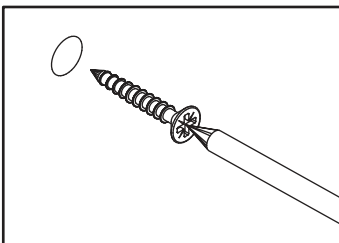
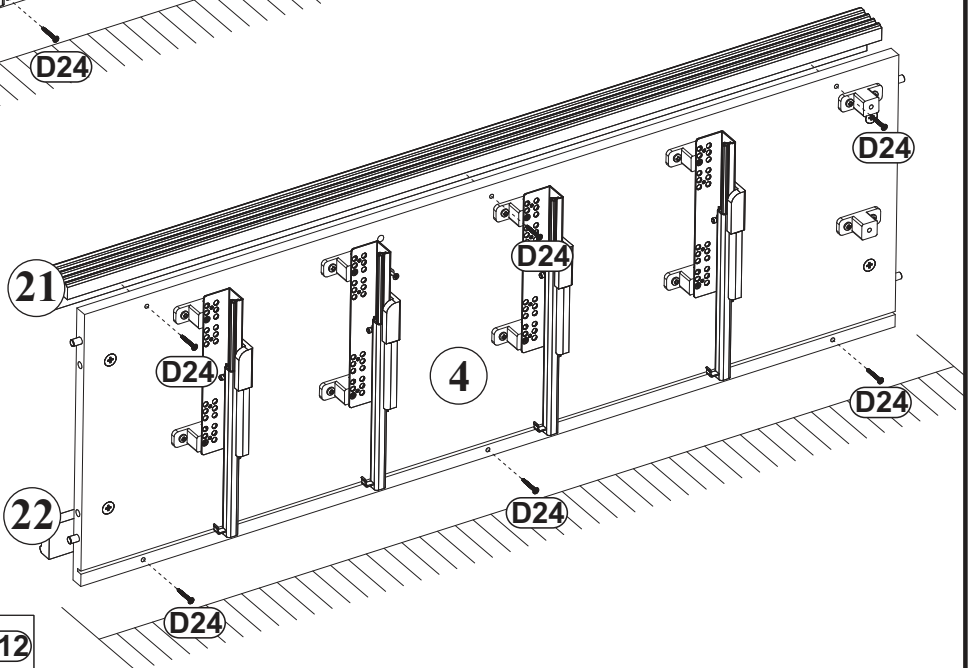
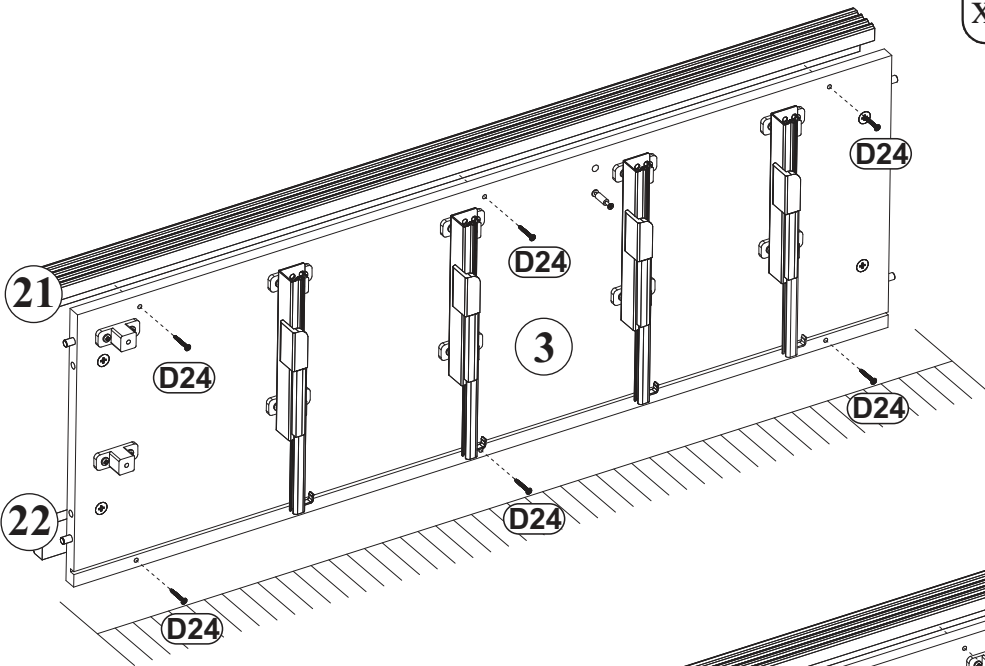
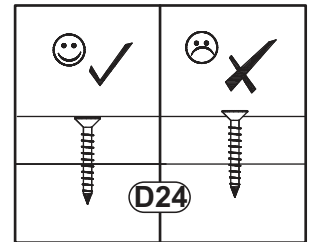




B4	
x4	

27


G12	
x12	Ø14

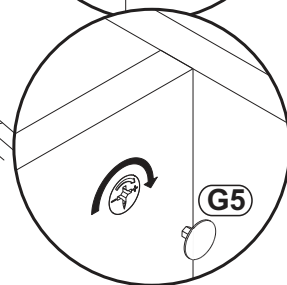
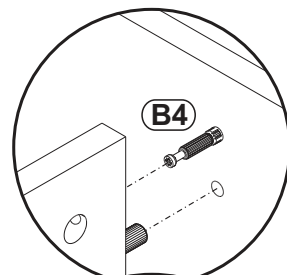
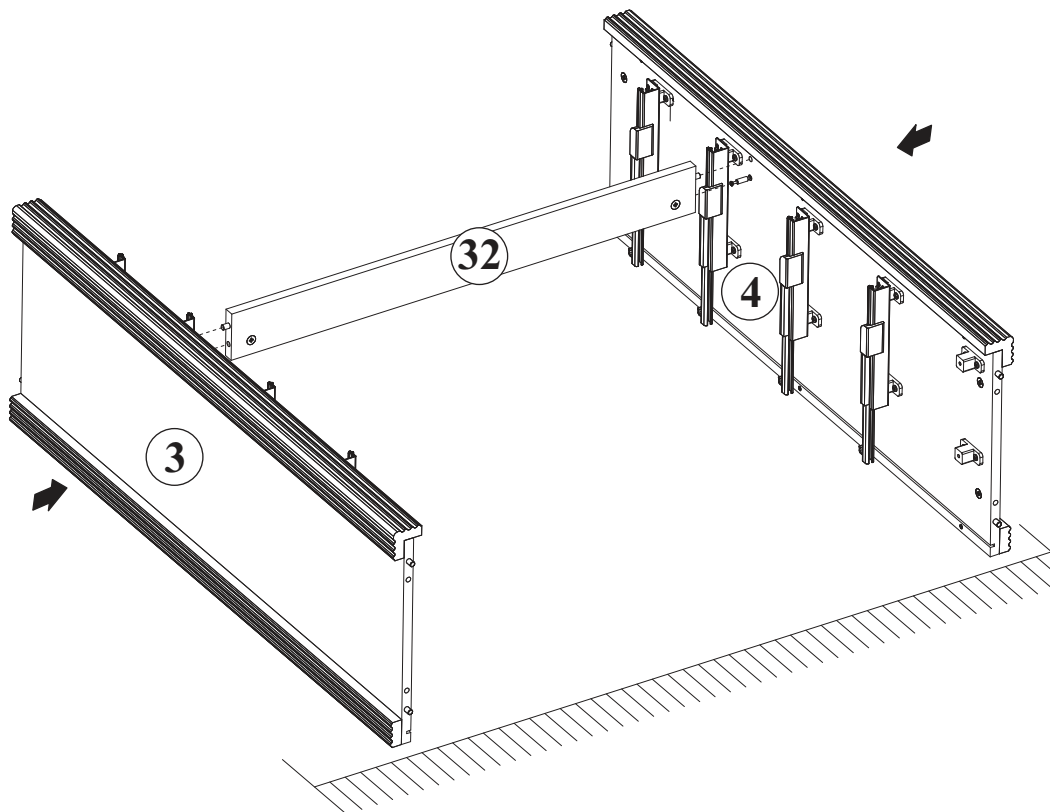
D24	
x12	USØ4x30




	G12
D24	

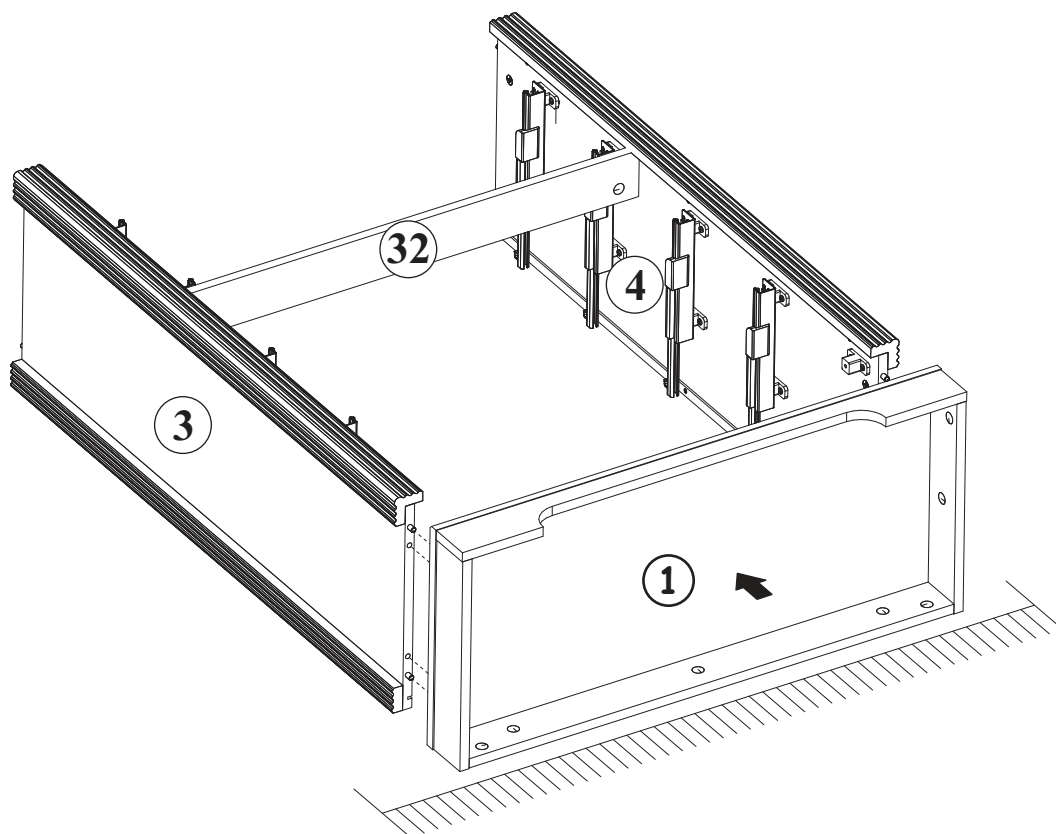
28

G5	
x2	

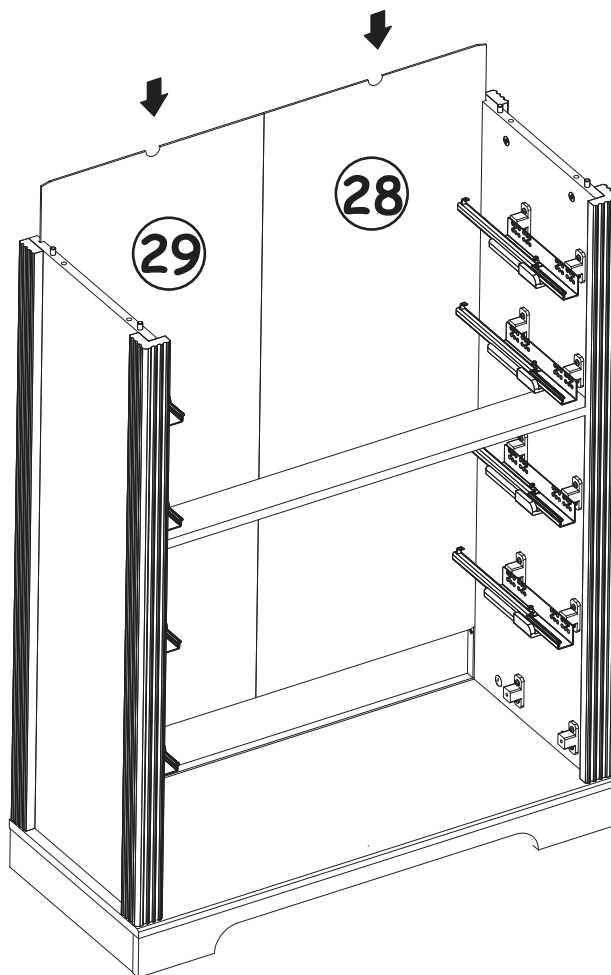


29

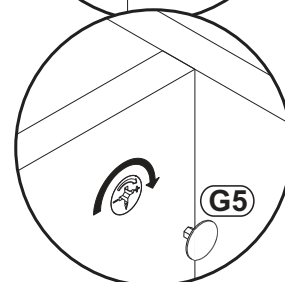
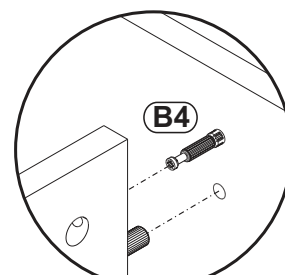
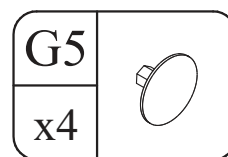
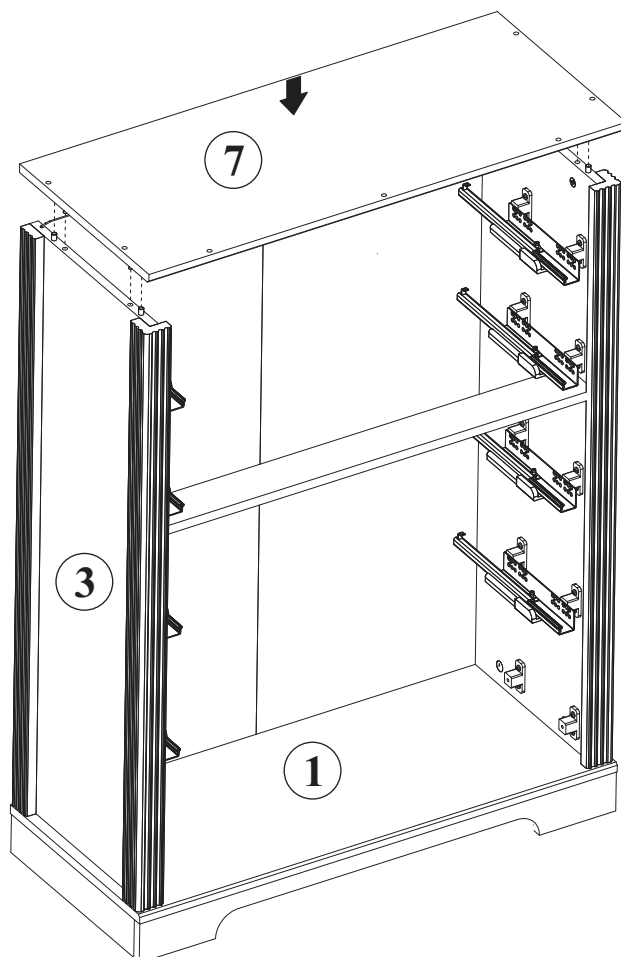
G5	
x4	



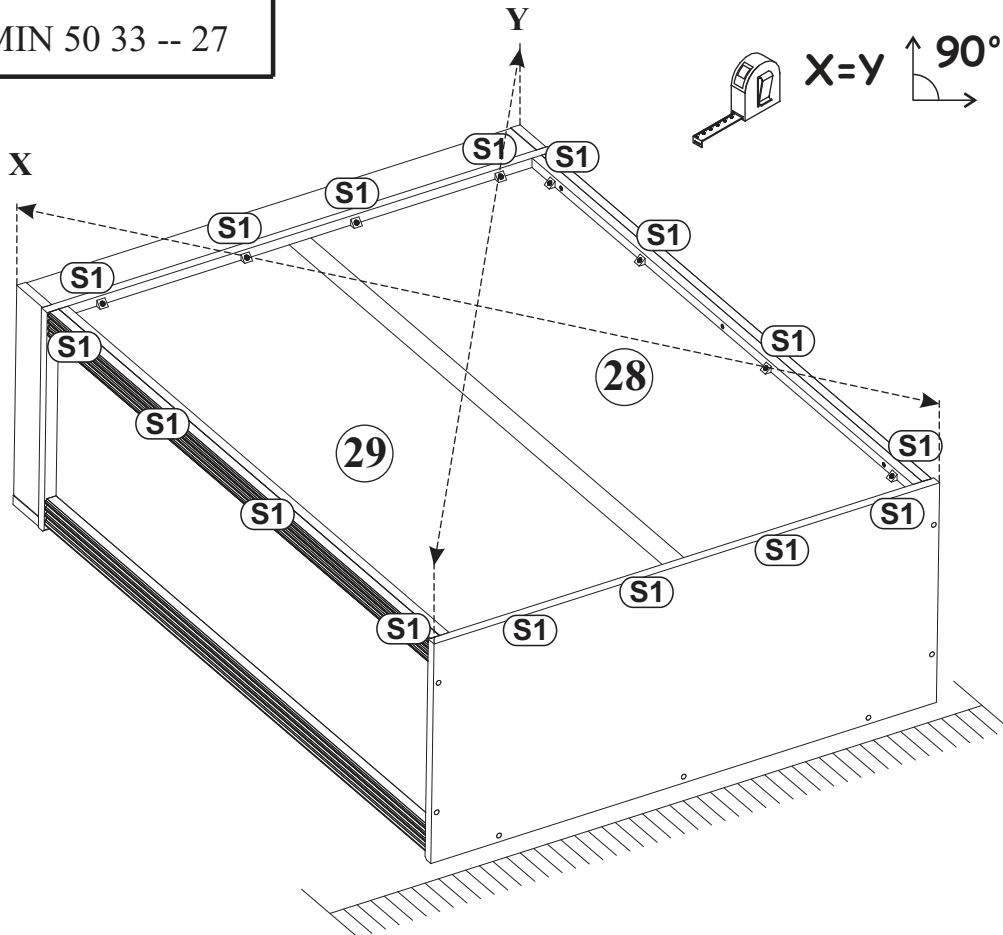
30



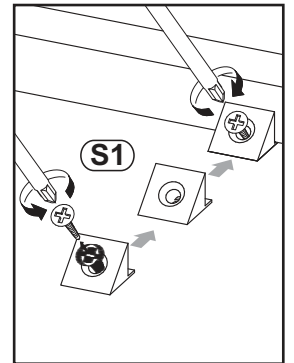
31



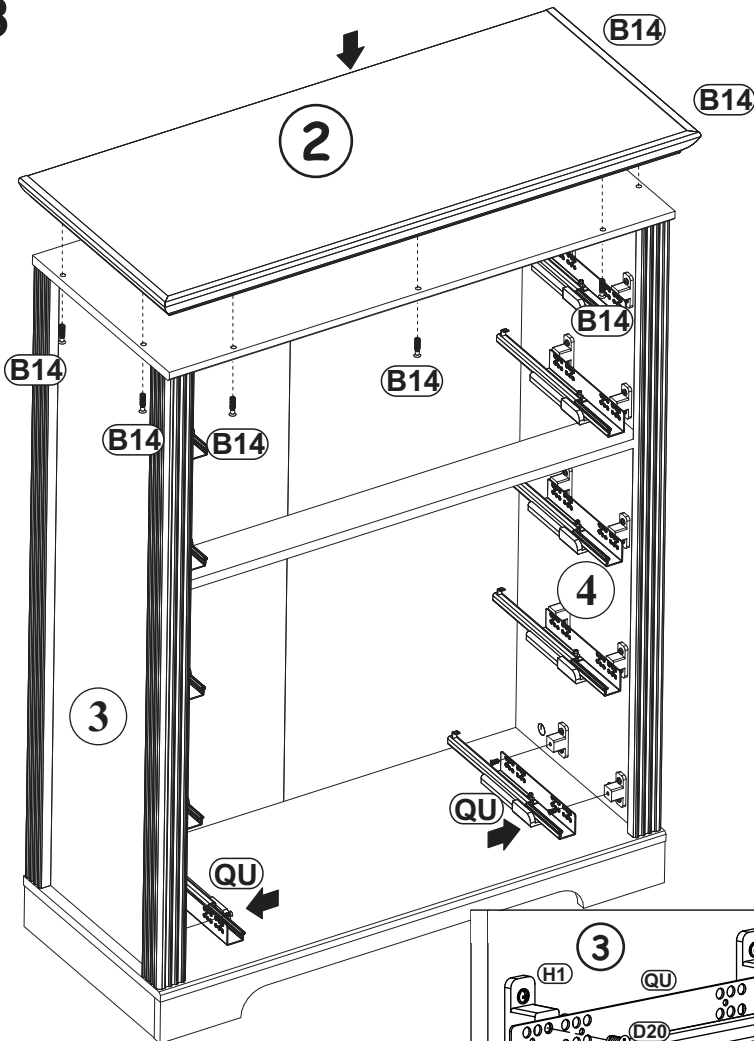
32



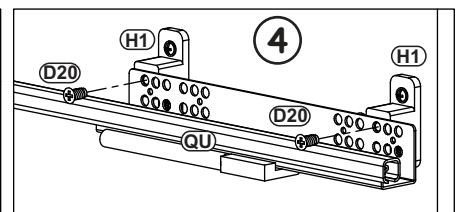
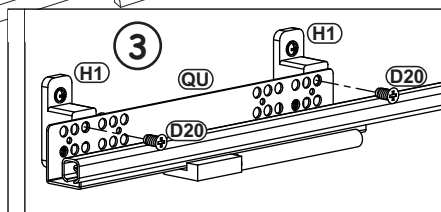
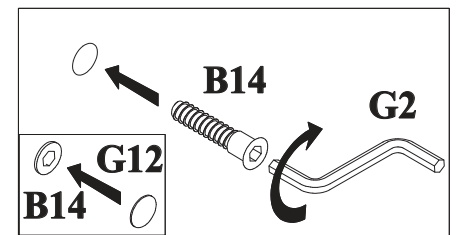
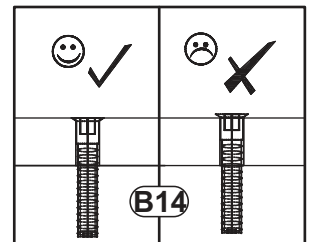
S1	
x16	



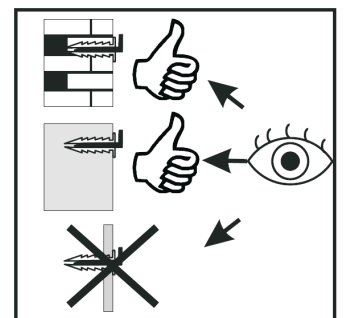
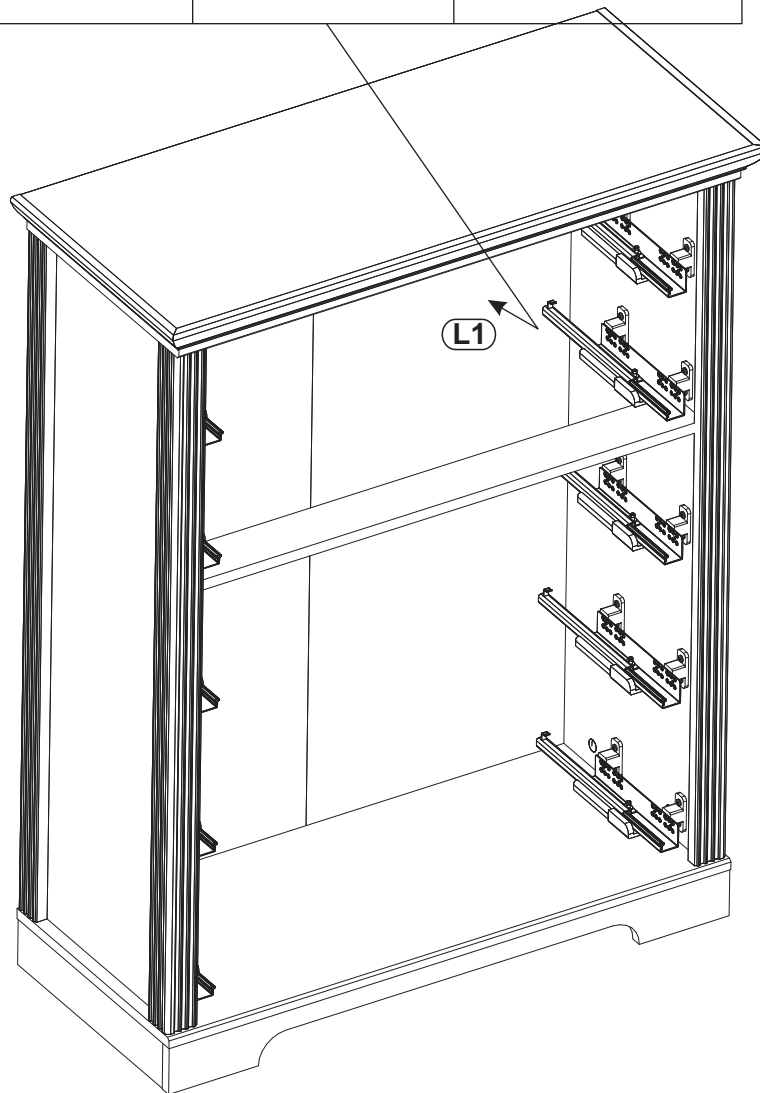
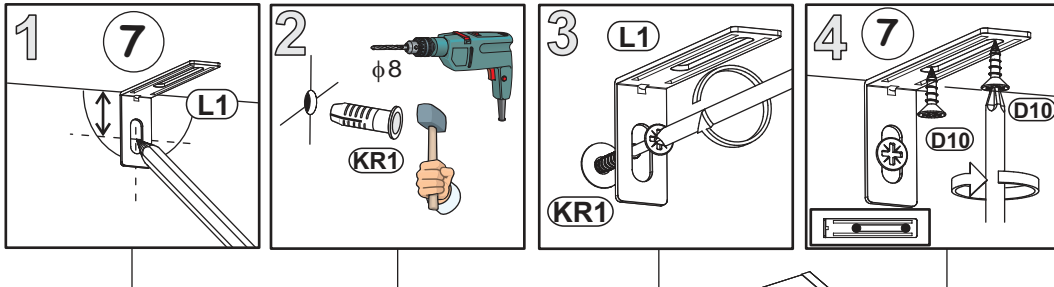
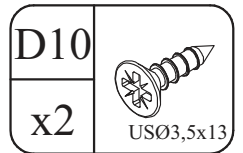
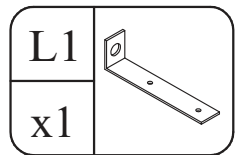
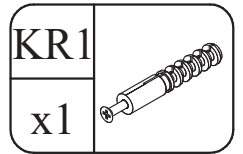
33



B14		G12	
x7	Ø7x30	x7	Ø14
QU		D20	
x1	L-300	x4	ESØ6,3x9,5



34



35

