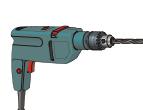
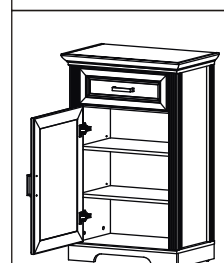
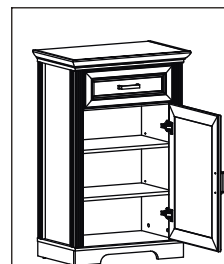
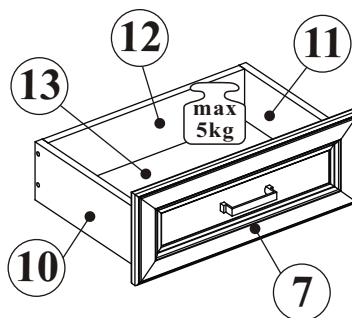
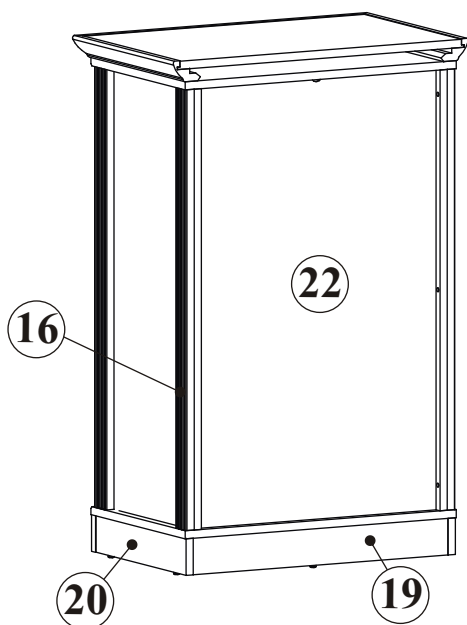
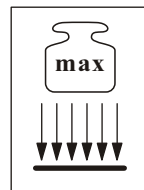
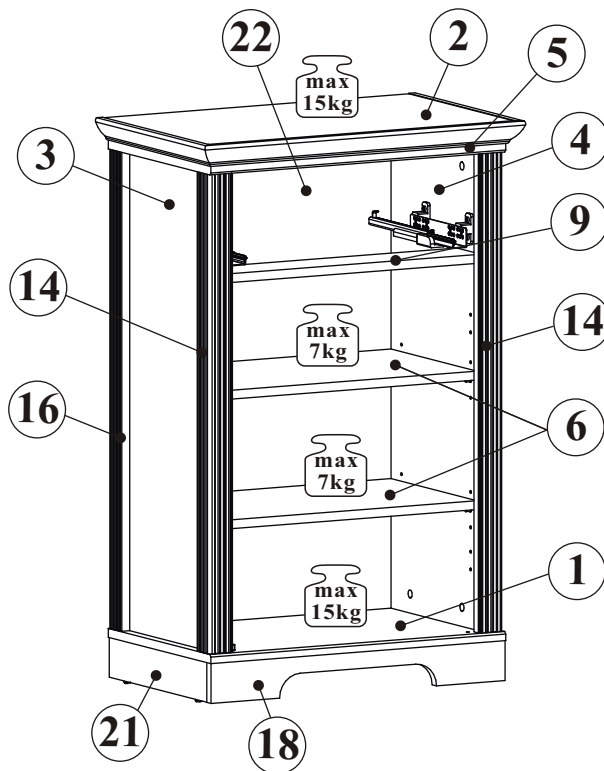
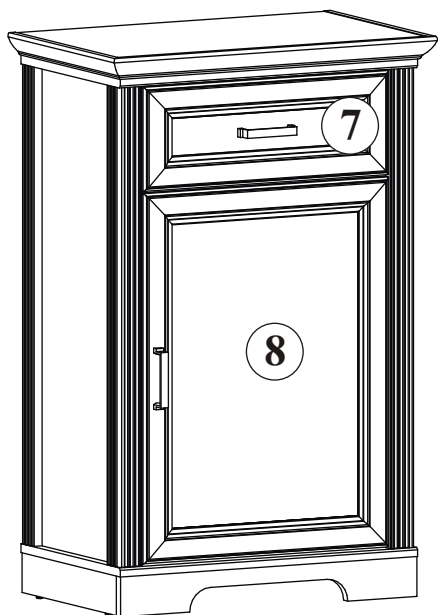


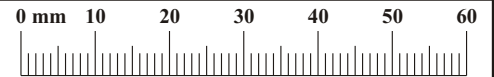
# JASMIN 30B1\_10



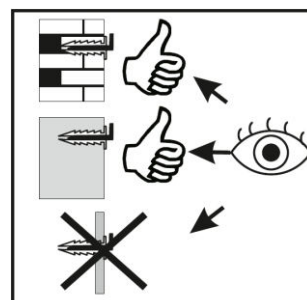
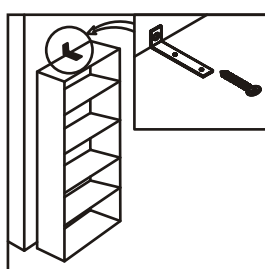
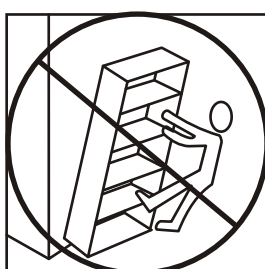
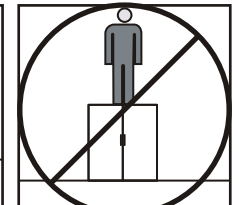
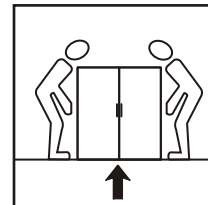
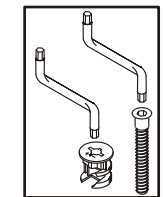
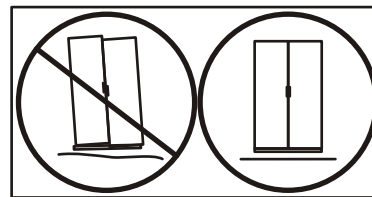
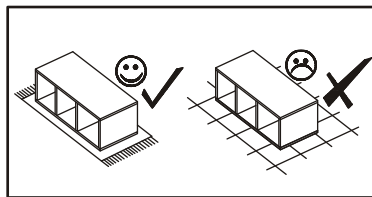
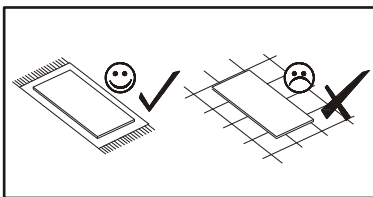
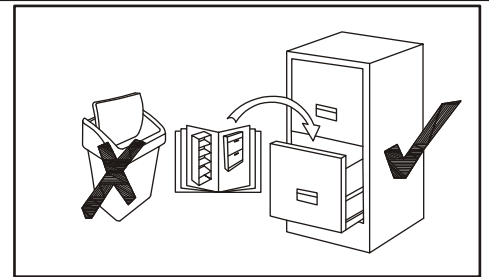
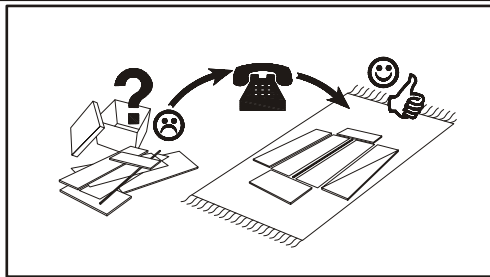
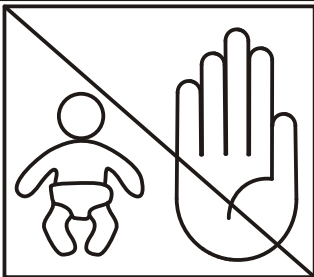
120 min

| NO | Dim. |     |    | Col.-No | Qty |
|----|------|-----|----|---------|-----|
| 1  | 602  | 380 | 16 | 1       | 1   |
| 2  | 655  | 406 | 42 | 1       | 1   |
| 3  | 866  | 353 | 16 | 2       | 1   |
| 4  | 866  | 353 | 16 | 2       | 1   |
| 5  | 602  | 380 | 16 | 1       | 1   |
| 6  | 530  | 318 | 16 | 1       | 2   |
| 7  | 496  | 188 | 22 | 2       | 1   |
| 8  | 668  | 496 | 22 | 2       | 1   |
| 9  | 530  | 90  | 16 | 1       | 1   |
| 10 | 300  | 120 | 16 | 1       | 1   |

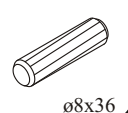

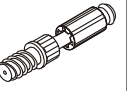
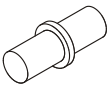


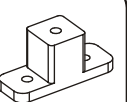

| NO | Dim. |     |    | Col.-No | Qty |
|----|------|-----|----|---------|-----|
| 11 | 300  | 120 | 16 | 1       | 1   |
| 12 | 440  | 106 | 16 | 1       | 1   |
| 13 | 304  | 452 | 3  | 1       | 1   |
| 14 | 866  | 49  | 49 | 2       | 2   |
| 16 | 866  | 43  | 19 | 2       | 2   |
| 18 | 600  | 72  | 16 | 2       | 1   |
| 19 | 566  | 72  | 16 | 2       | 1   |
| 20 | 363  | 72  | 16 | 2       | 1   |
| 21 | 363  | 72  | 16 | 2       | 1   |
| 22 | 878  | 542 | 3  | 2       | 1   |

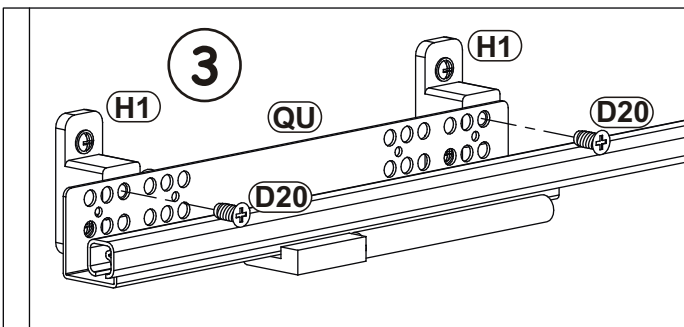
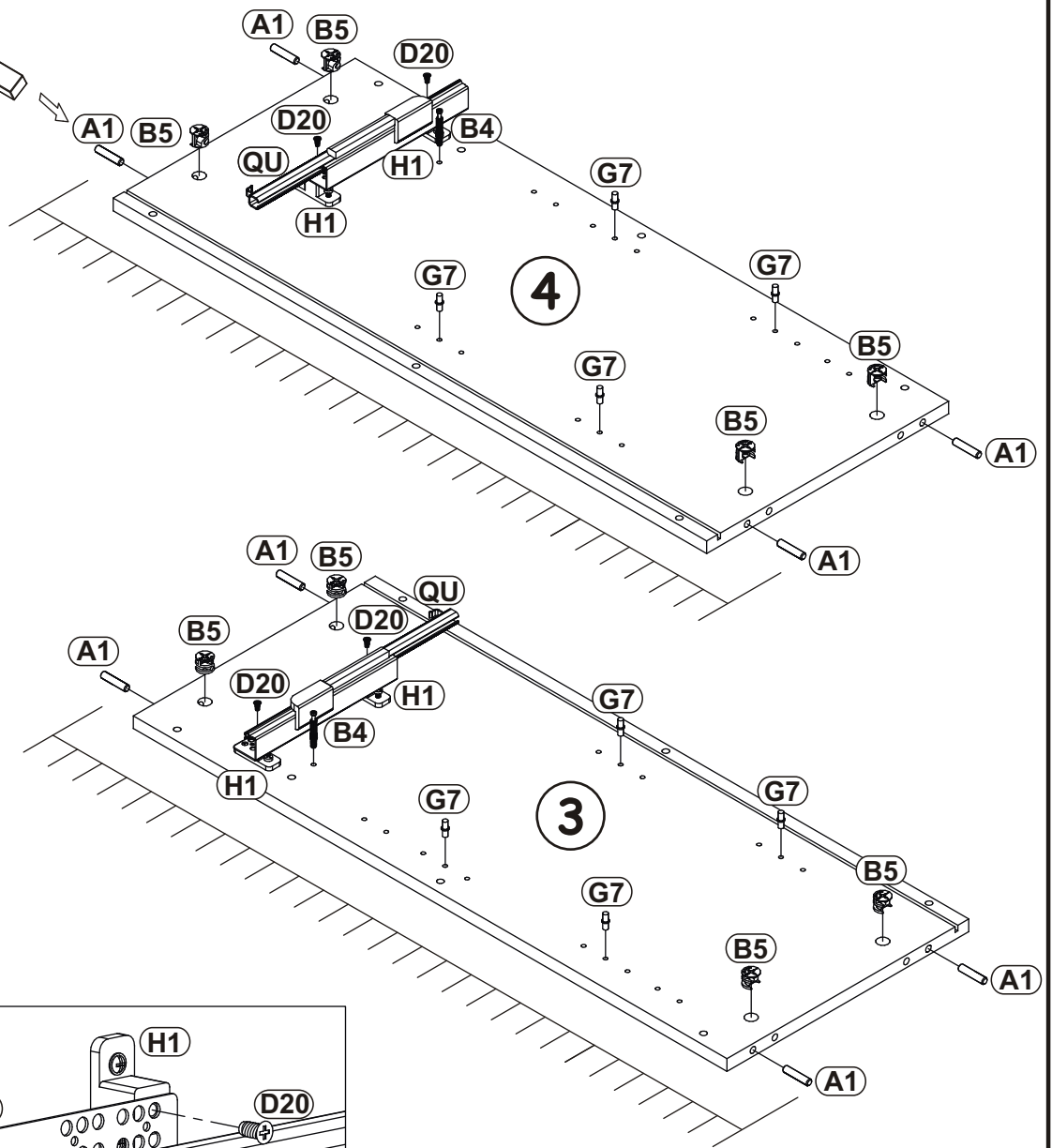
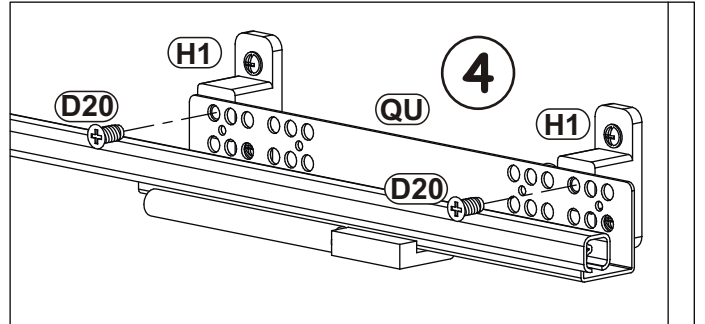
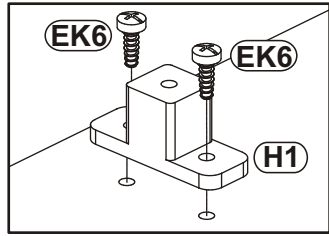
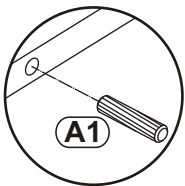
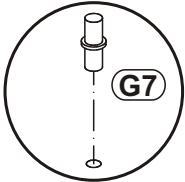
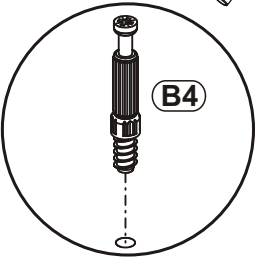
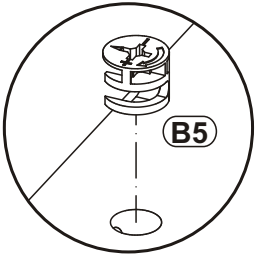


|                    |                         |                        |                        |                        |                       |
|--------------------|-------------------------|------------------------|------------------------|------------------------|-----------------------|
| A1<br>x26<br>ø8x36 | B4<br>x22               | B5<br>x22<br>ø15x12    | G5<br>x22              | B11<br>x4<br>Ø7x50     | B14<br>x7<br>Ø7x30    |
| E17<br>x2<br>H=16  | E13<br>x2               | E0<br>x2<br>H=11       | EK8<br>x4<br>EKØ6,3x24 | G4<br>x4               | G12<br>x19<br>Ø14     |
| QU<br>x1<br>L-300  | D20<br>x4<br>ESØ6,3x9,5 | D10<br>x8<br>USØ3,5x13 | H1<br>x4               | EK6<br>x8<br>EKØ6,3x13 | G7<br>x8              |
| C19<br>x2          | D34<br>x2<br>M4x16      | D4<br>x2<br>M4x30      | KM1<br>x1              | UP13<br>x4<br>UPØ3x16  | Z2<br>x5<br>Ø5        |
| I2<br>x5           | S1<br>x11               | L1<br>x1               | KR1<br>x1              | G2<br>x1               | D24<br>x12<br>USØ4x30 |
| G20<br>x1          |                         |                        |                        |                        |                       |

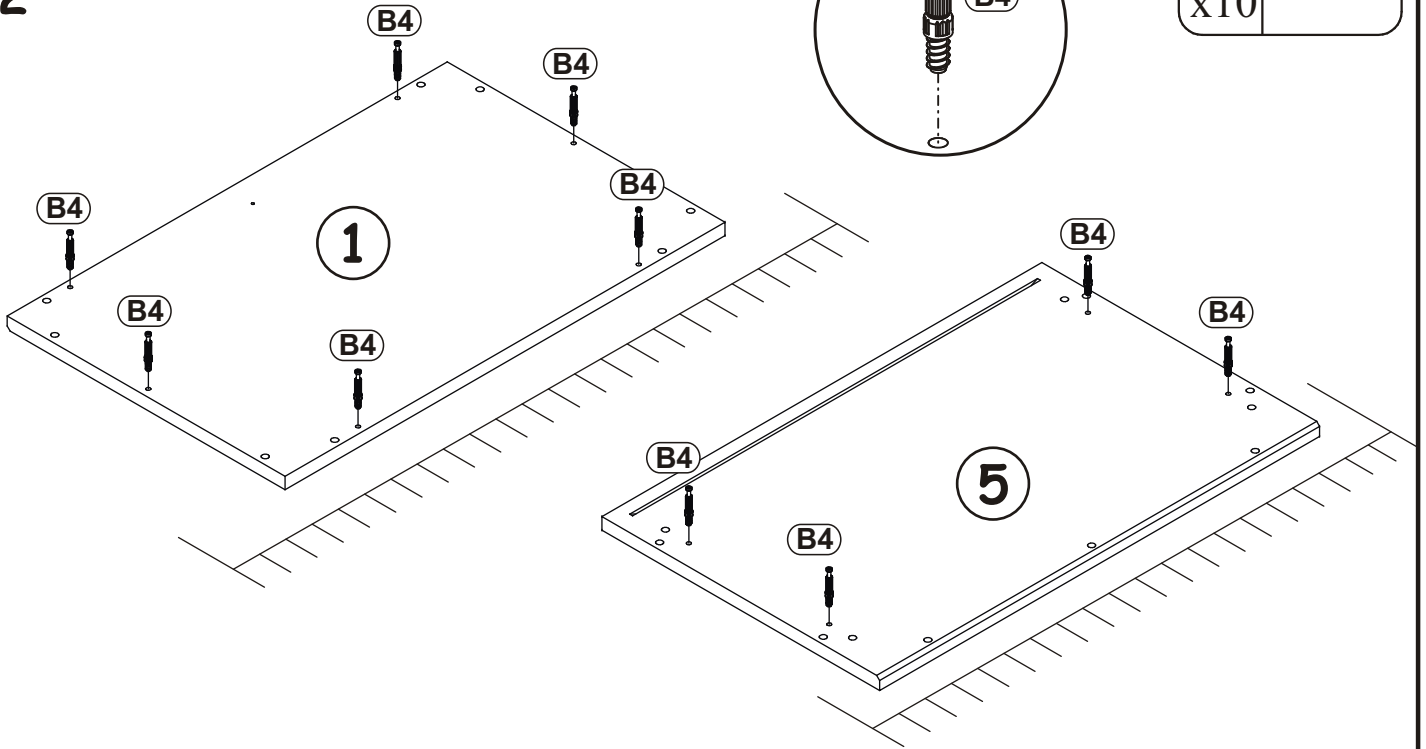


1

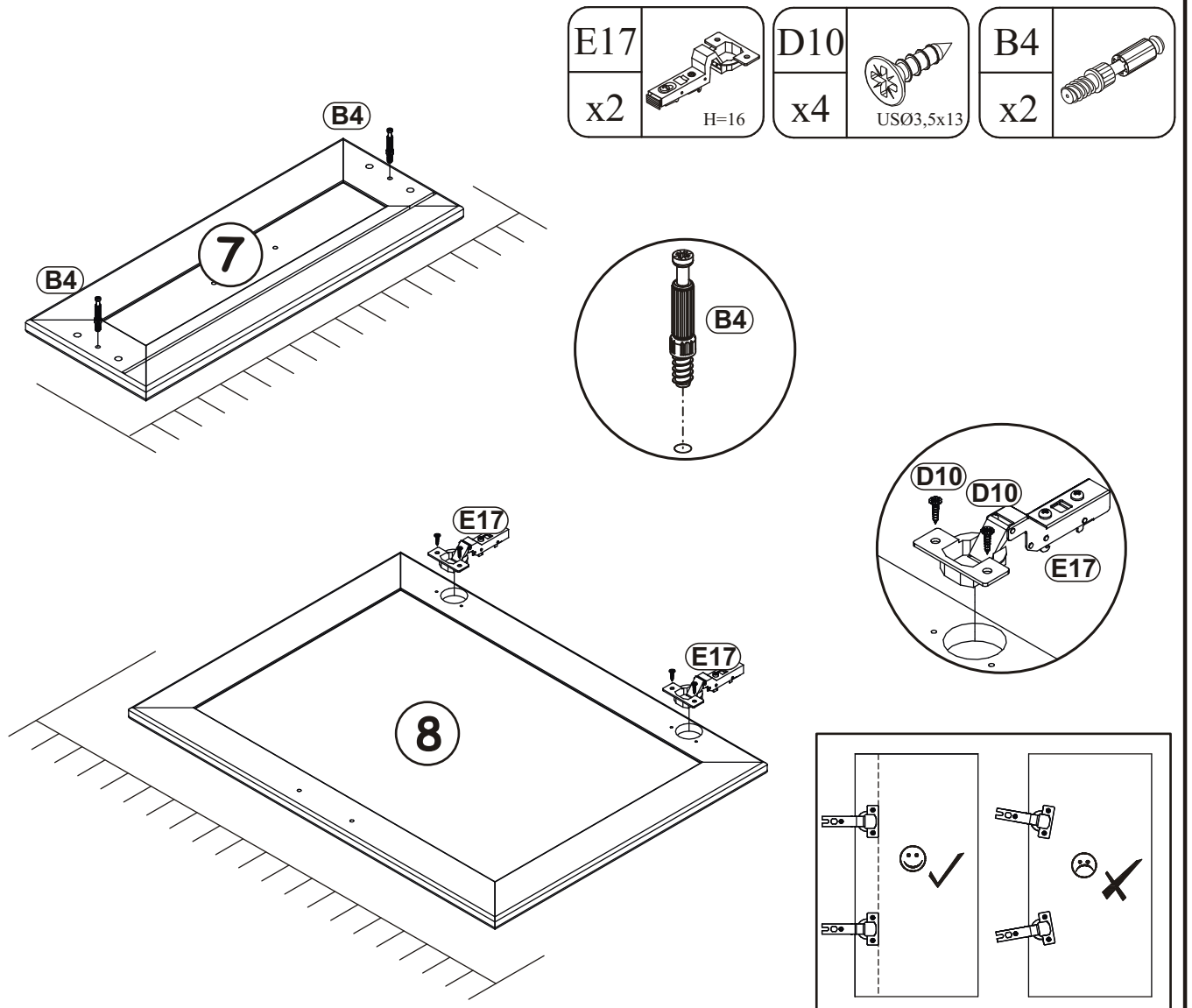
|          |  |           |  |          |   |           |  |
|----------|--|-----------|--|----------|---|-----------|--|
| A1<br>x8 | <br>ø8x36 | B5<br>x8  | <br>ø15x12     | B4<br>x2 |  | G7<br>x8  |               |
| QU<br>x1 | <br>L-300 | D20<br>x4 | <br>ESØ6,3x9,5 | H1<br>x4 |  | EK6<br>x8 | <br>EKØ6,3x13 |



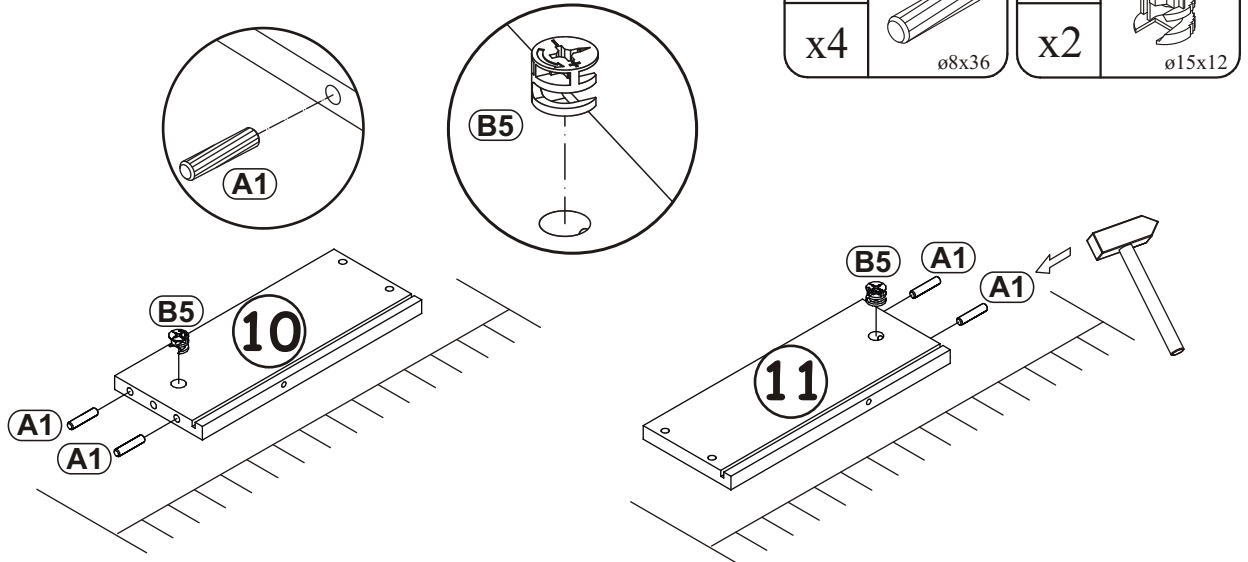
2

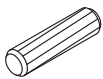
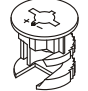


3

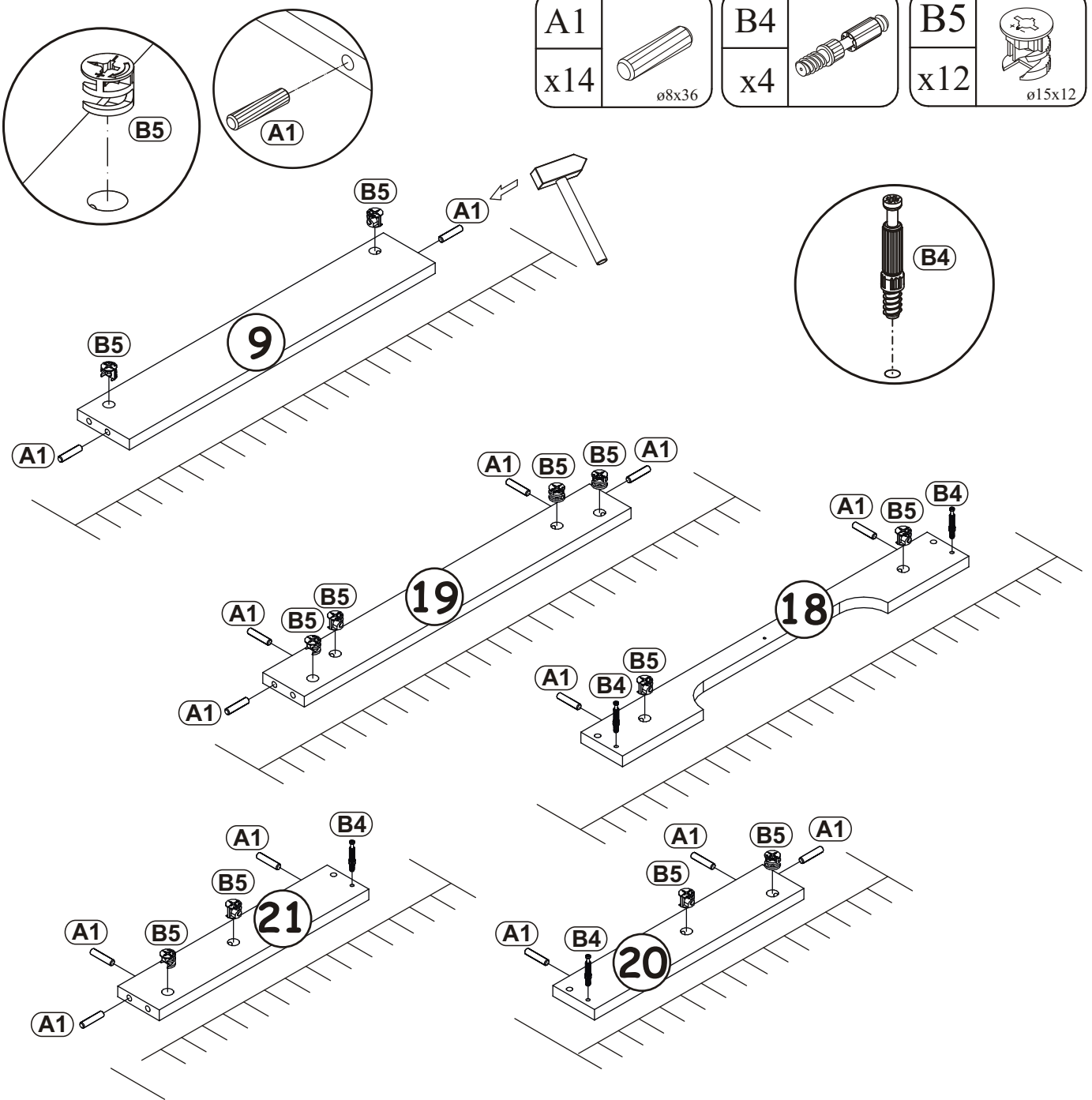


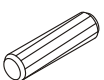
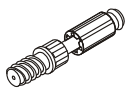

4





|    |   |    |   |
|----|---|----|---|
| A1 |  | B5 |  |
| x4 | ø8x36   | x2 | ø15x12  |

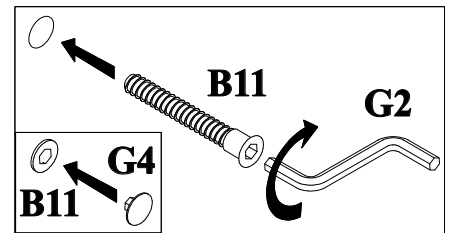
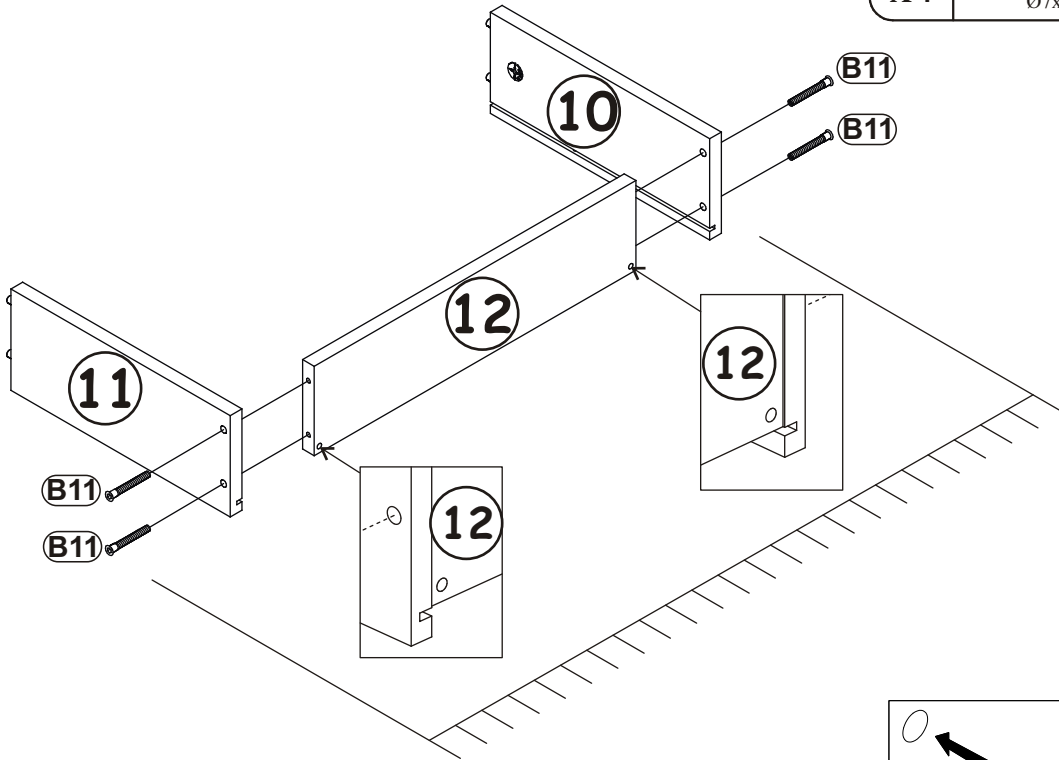
5




|     |  |    |   |     |   |
|-----|--|----|---|-----|---|
| A1  |  | B4 |  | B5  |  |
| x14 | ø8x36  | x4 |   | x12 | ø15x12  |

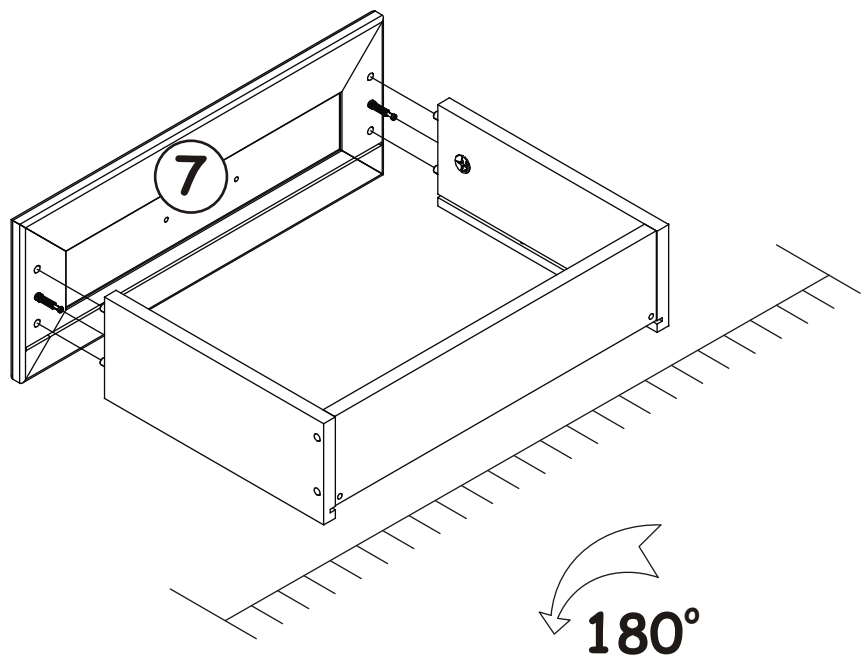
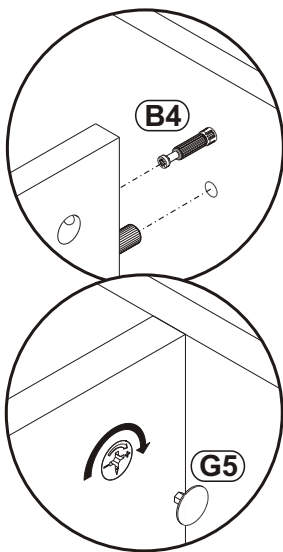
6

|     |   |    |   |
|-----|---|----|---|
| B11 |  | G4 |  |
| x4  | Ø7x50   | x4 |   |

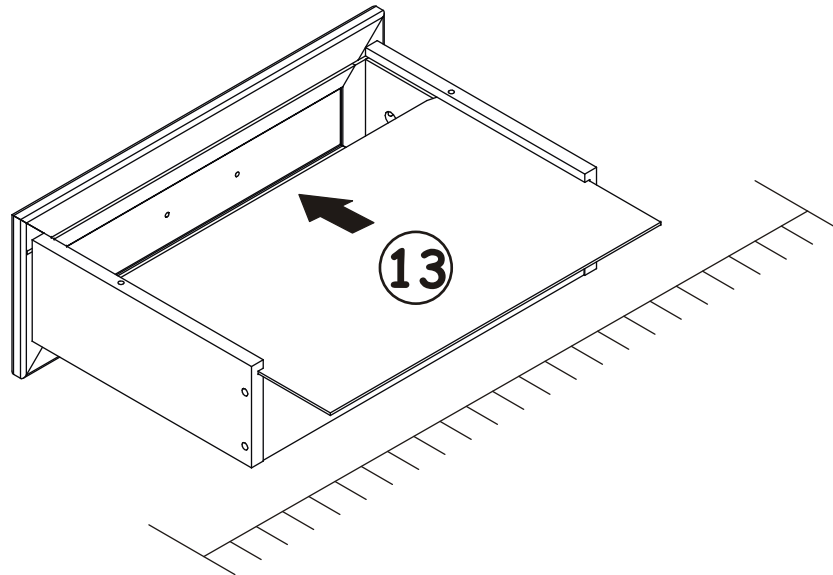


7

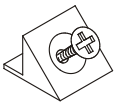

|    |   |
|----|---|
| G5 |  |
| x2 |   |

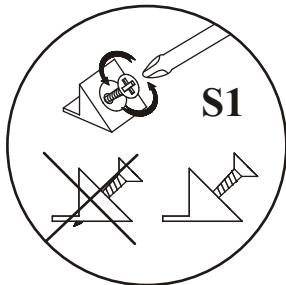


8

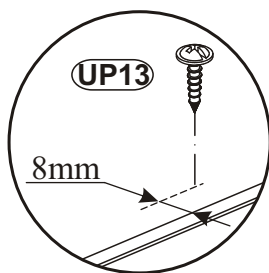
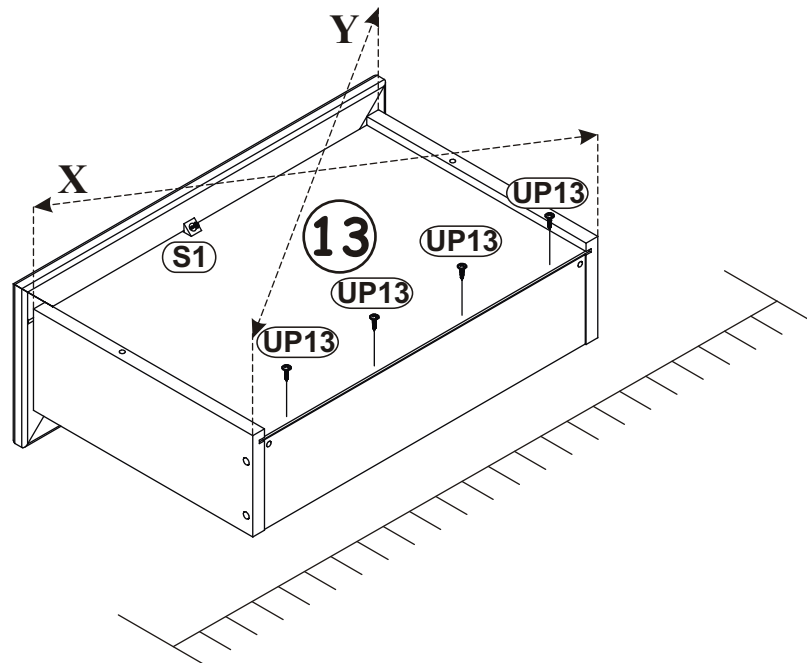


9



|    |  |      |  |
|----|--|------|--|
| S1 |  | UP13 |  |
| x1 |  | x4   | UPØ3x16  |

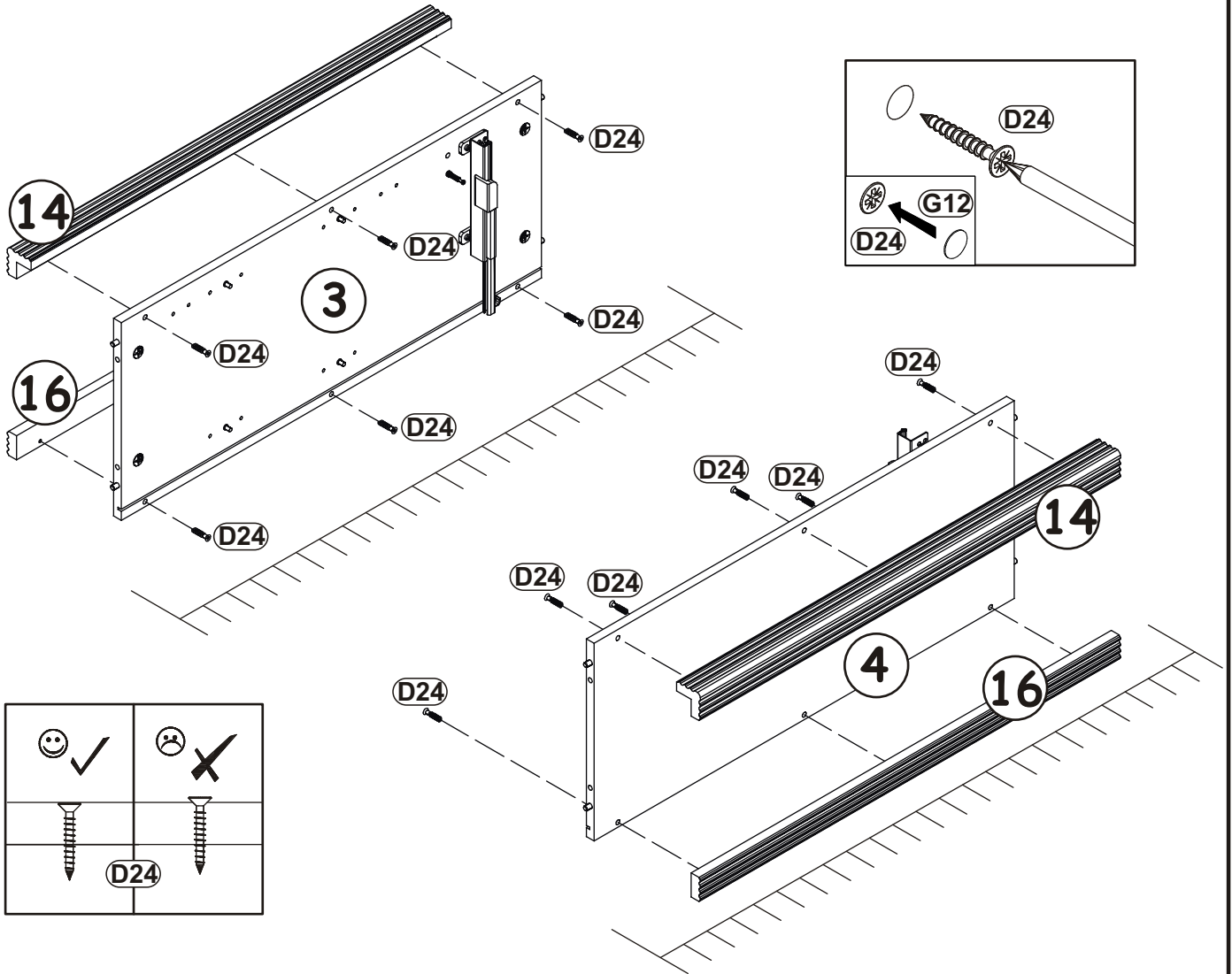


$X=Y$  




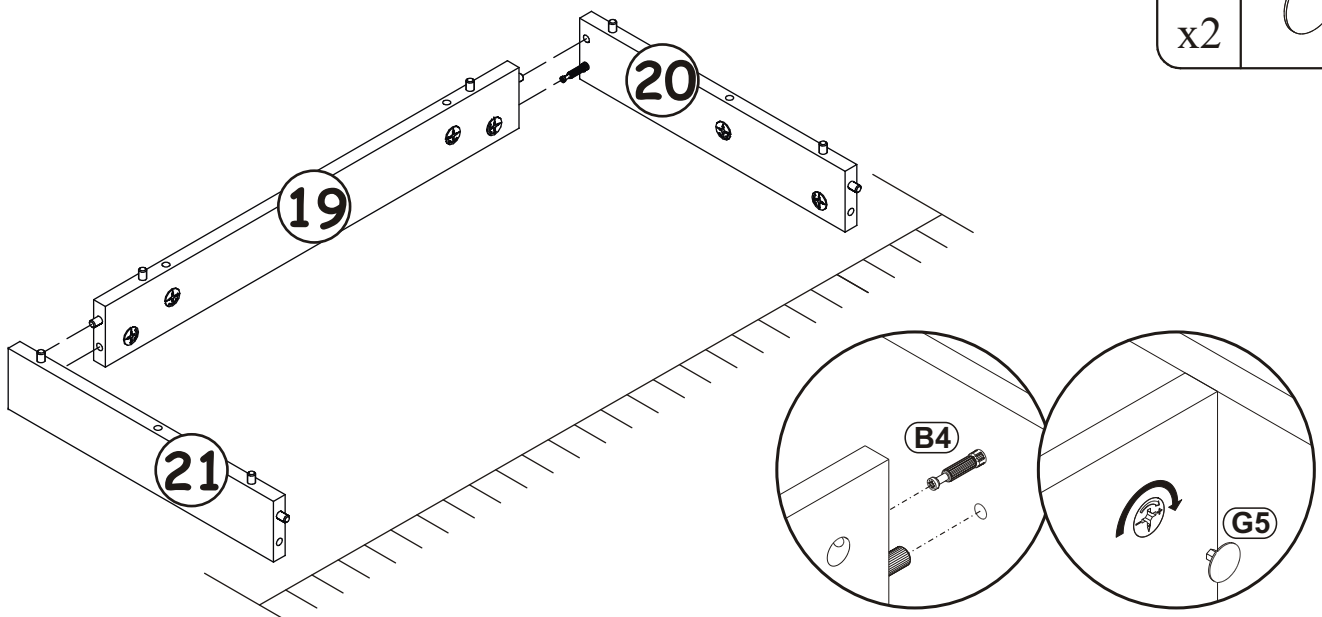
10

|     |   |     |   |
|-----|---|-----|---|
| D24 |  | G12 |  |
| x12 | USØ4x30   | x12 | Ø14   |




11

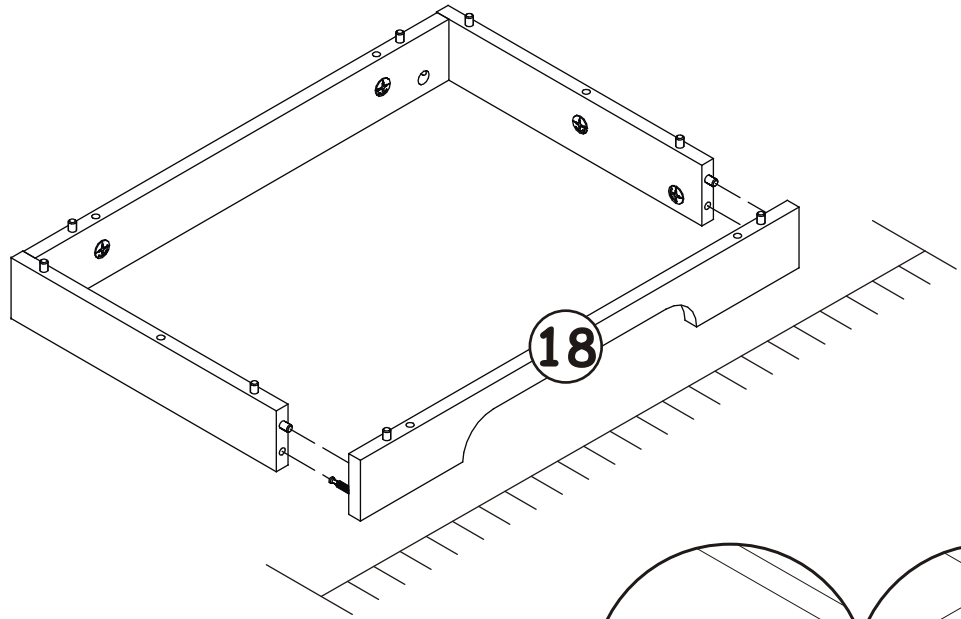
|    |   |
|----|---|
| G5 |  |
| x2 |   |



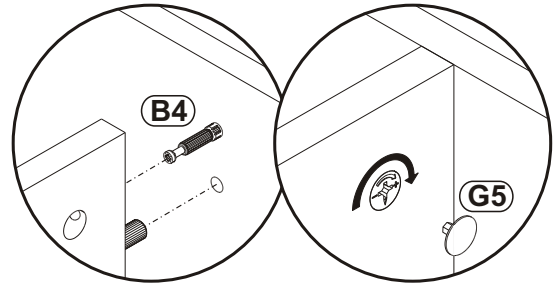


12


|    |   |
|----|---|
| G5 |  |
| x2 |   |

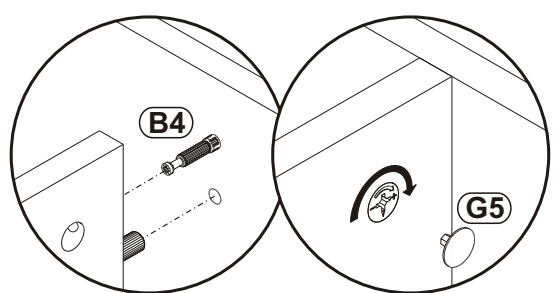
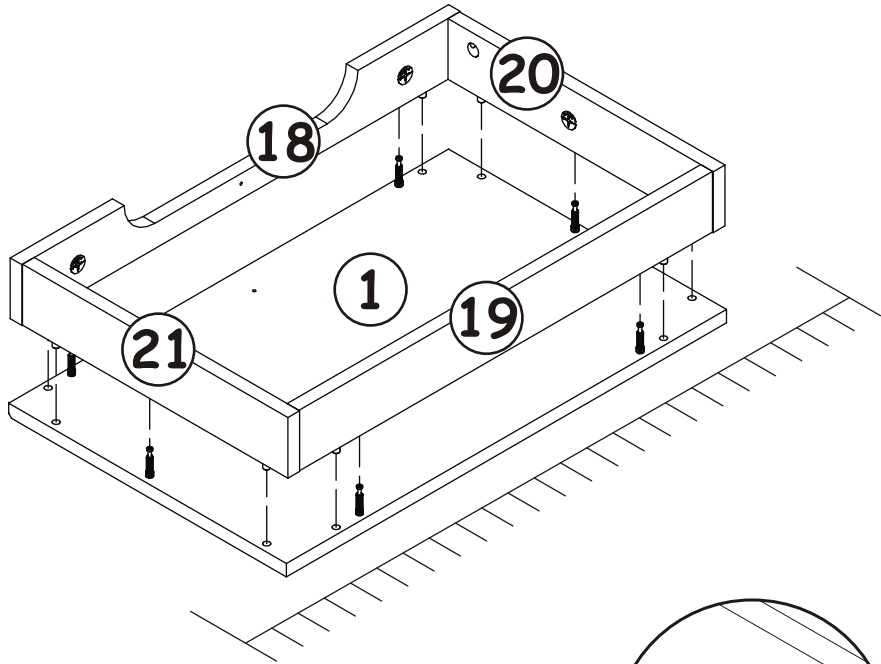


180°

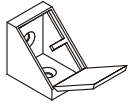




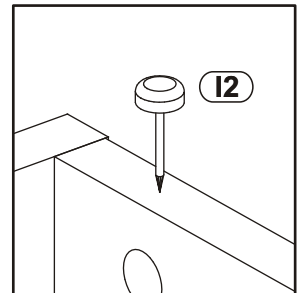
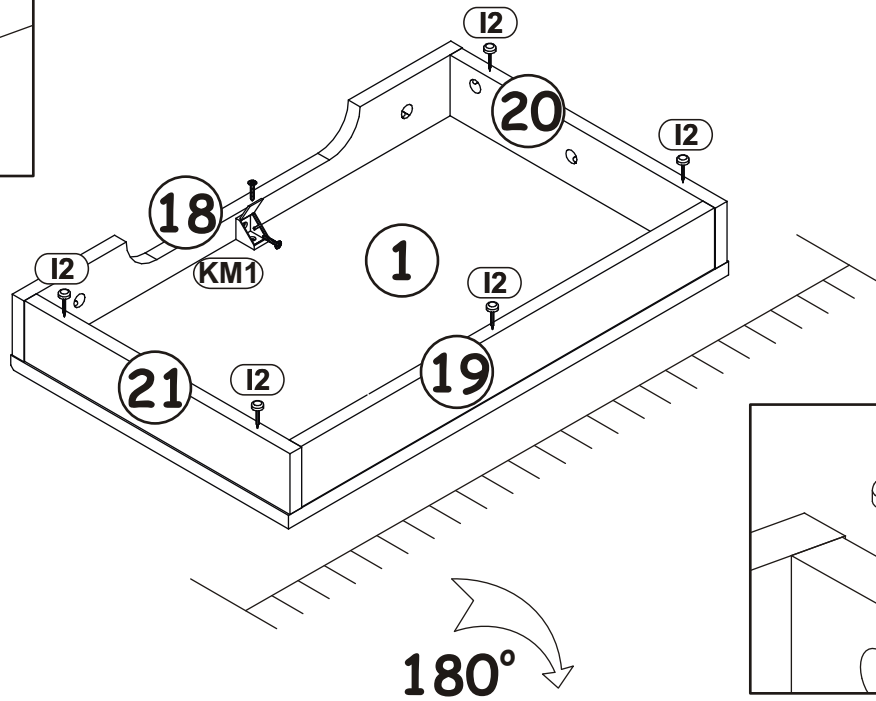
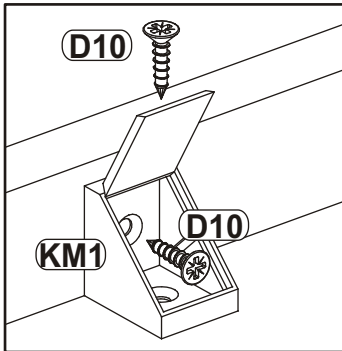
13

|    |   |
|----|---|
| G5 |  |
| x6 |   |

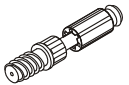


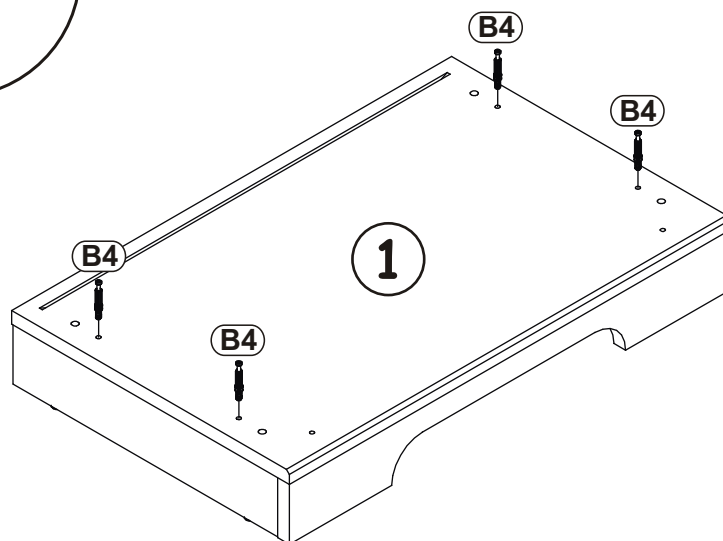
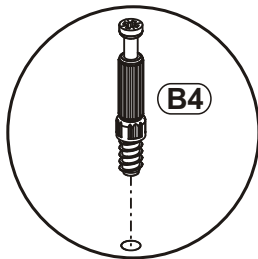
14

|     |   |     |   |    |   |
|-----|---|-----|---|----|---|
| KM1 |  | D10 |  | I2 |  |
| x1  |   | x2  | USØ3,5x13   | x5 |   |

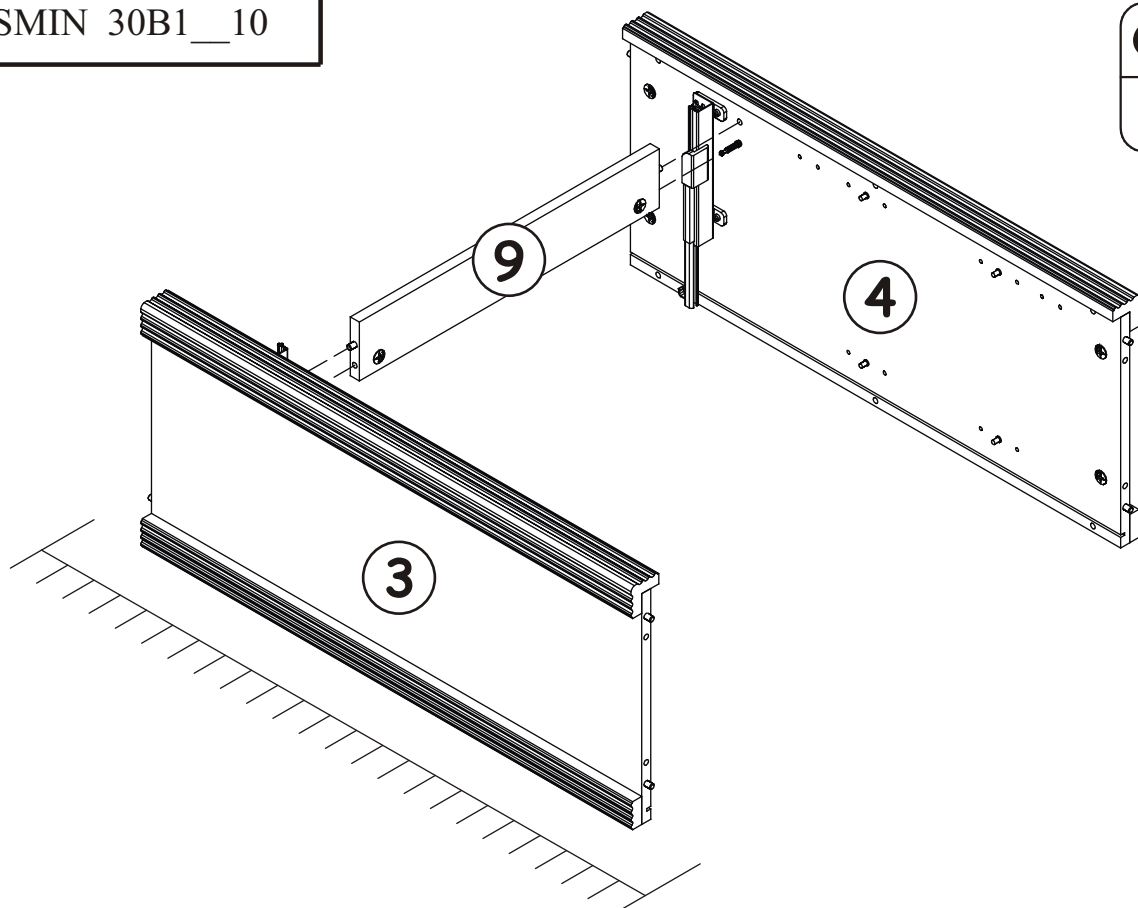



15

|    |   |
|----|---|
| B4 |  |
| x4 |   |

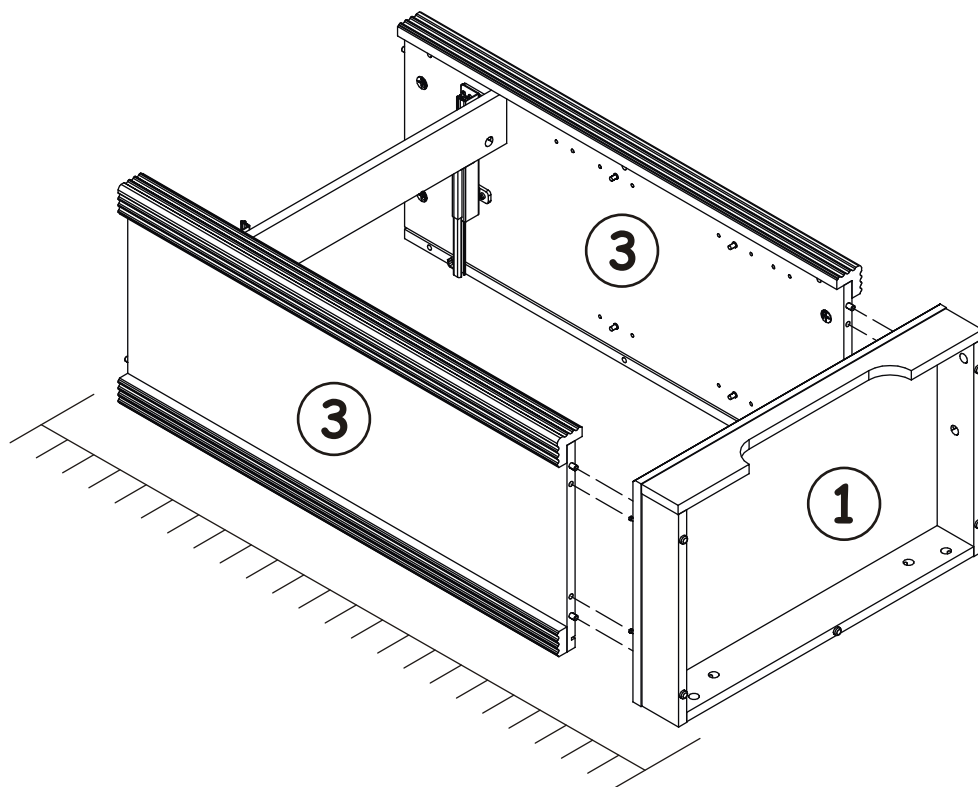
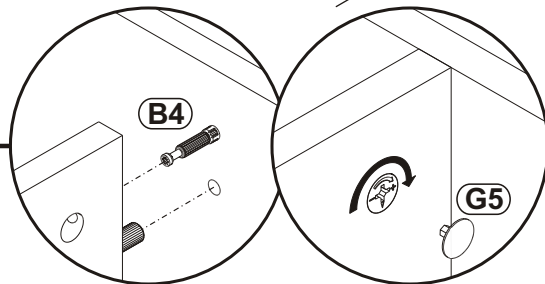



16



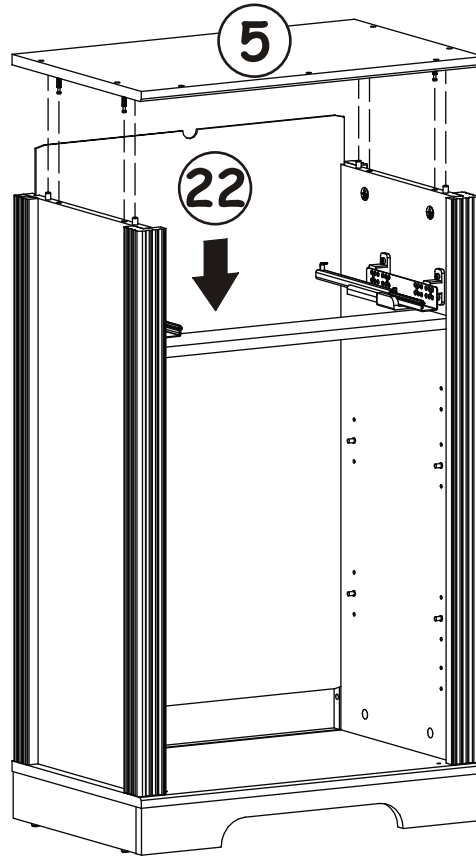
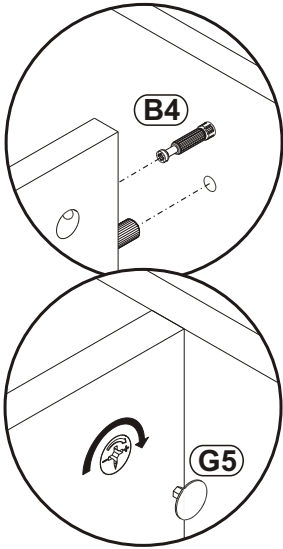
|    |   |
|----|---|
| G5 |  |
| x2 |   |

17



|    |   |
|----|---|
| G5 |  |
| x4 |   |

18



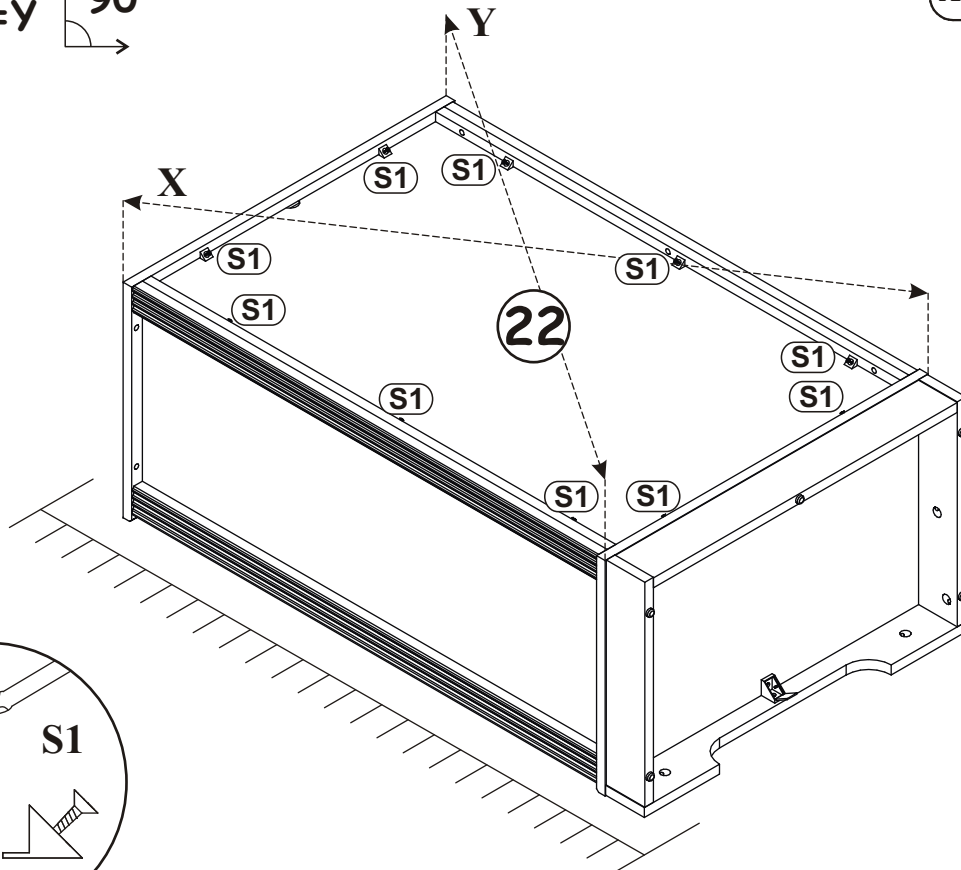
G5

x4



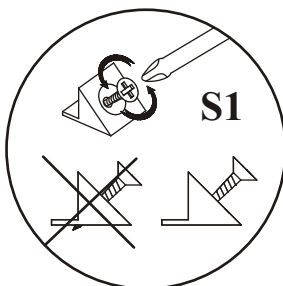
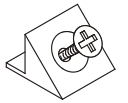
19

$X=Y$   $90^\circ$

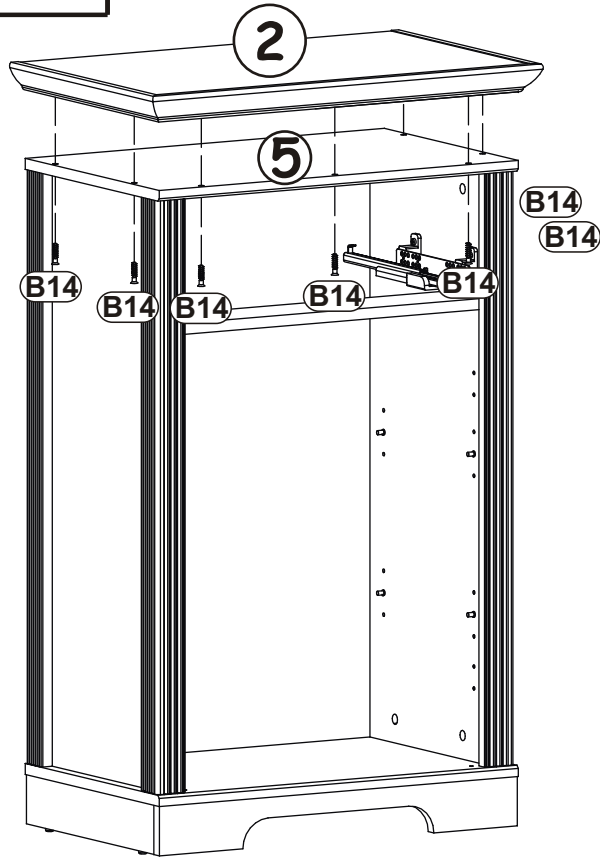


S1

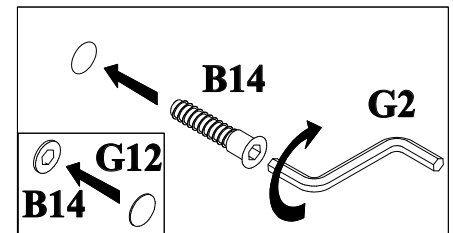
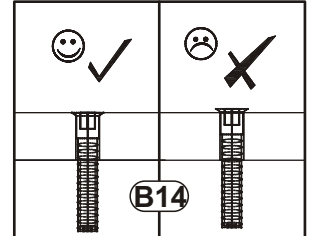
x10



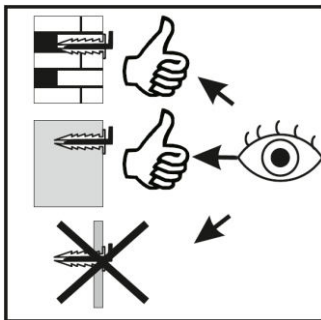
20



|     |       |     |     |
|-----|-------|-----|-----|
| B14 |       | G12 |     |
| x7  | Ø7x30 | x7  | Ø14 |



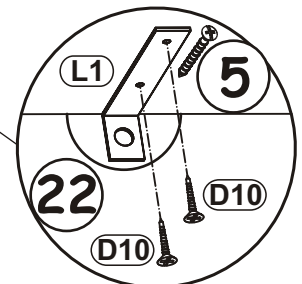
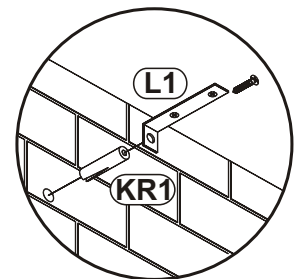
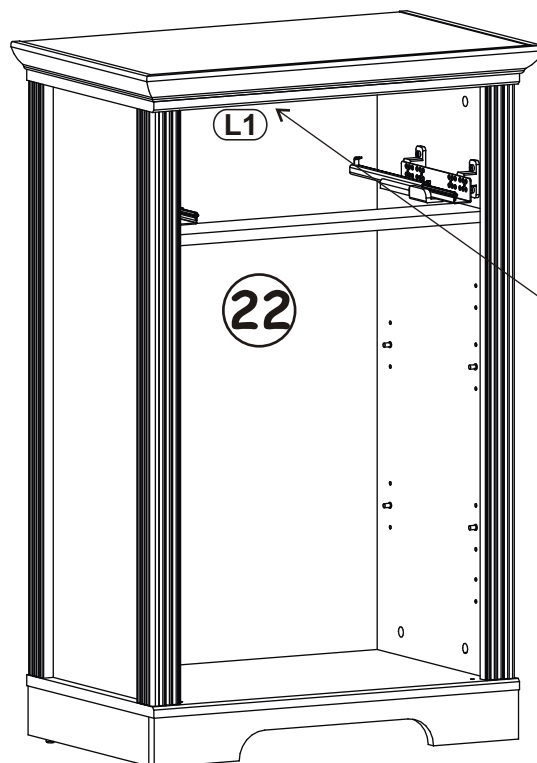
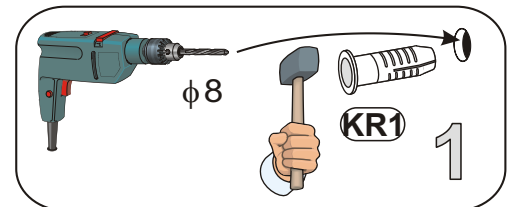
21



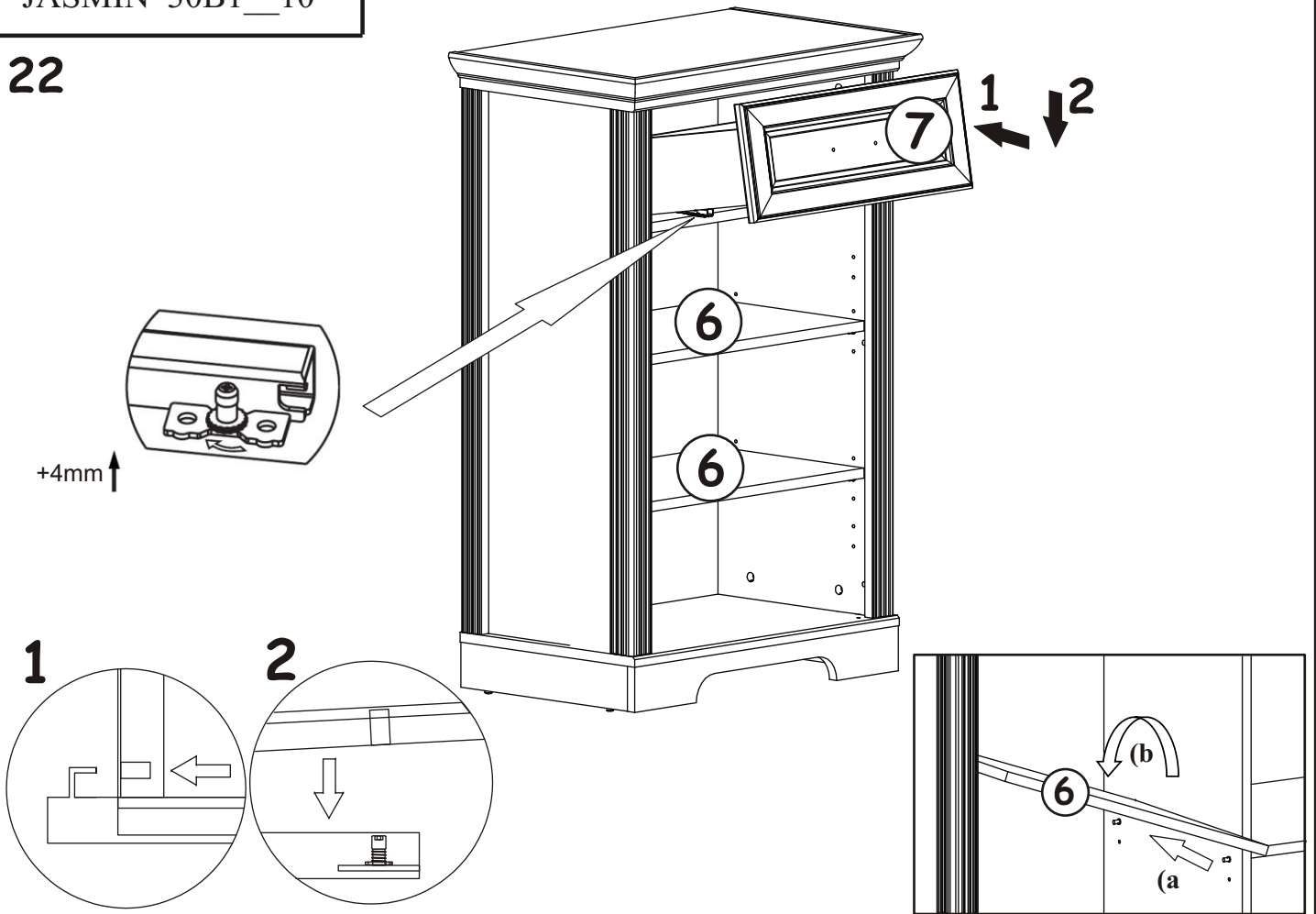
|    |  |
|----|--|
| L1 |  |
| x1 |  |

|     |  |
|-----|--|
| KR1 |  |
| x1  |  |

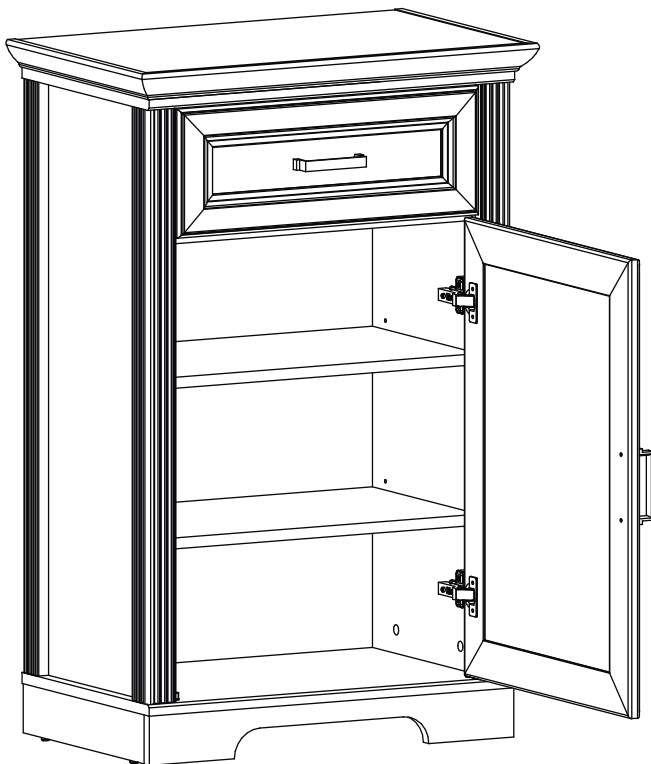
|     |           |
|-----|-----------|
| D10 |           |
| x2  | USØ3,5x13 |



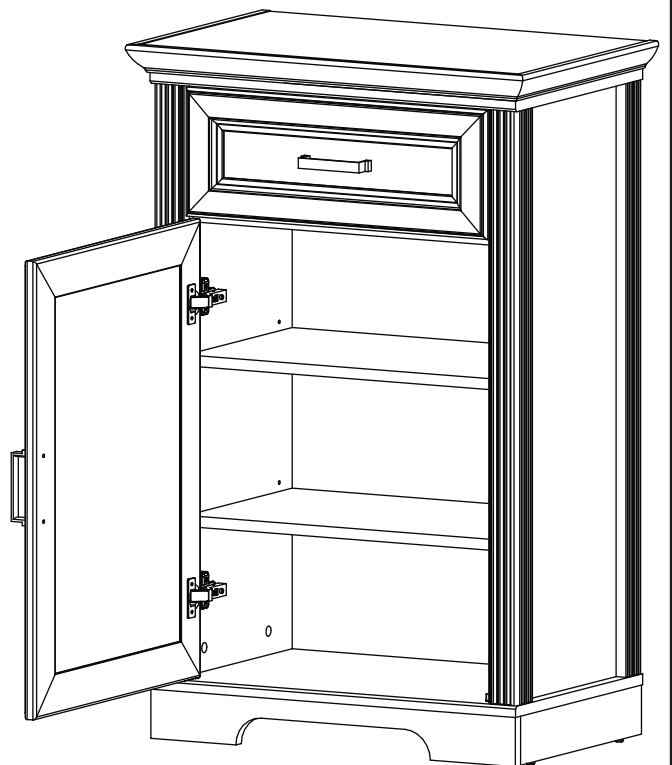
22



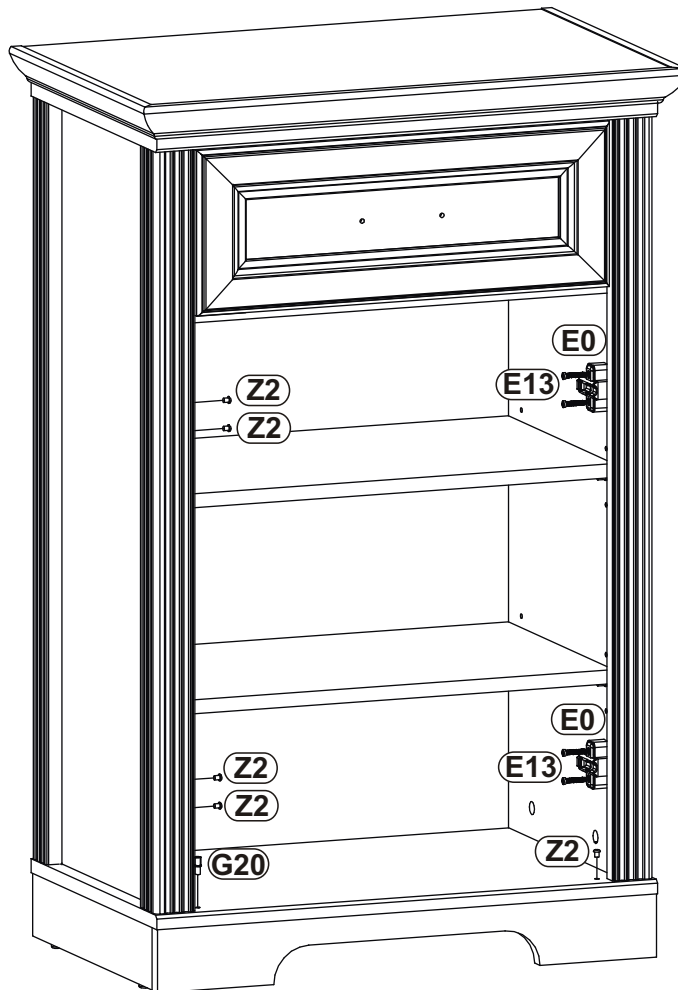
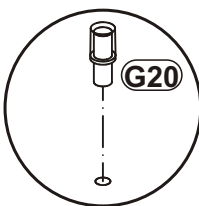
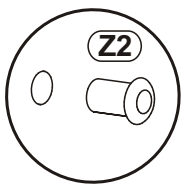
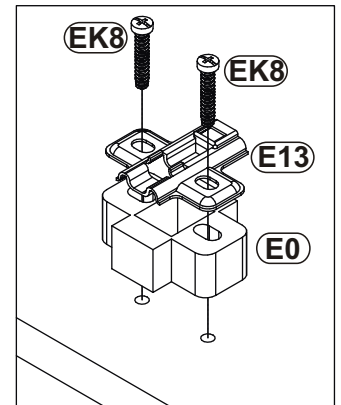
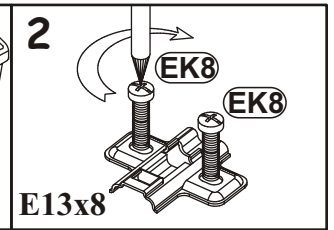
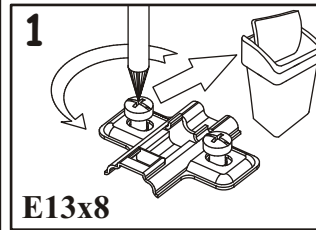
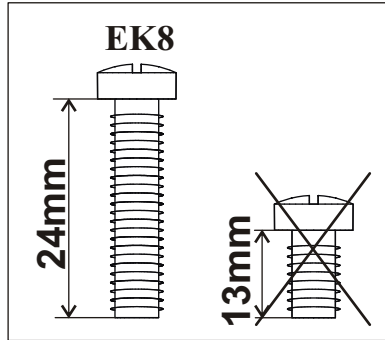
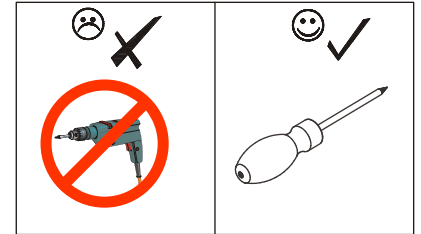
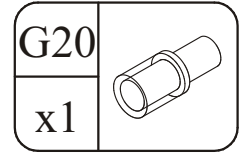
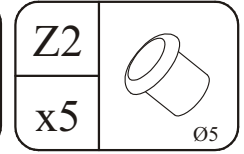
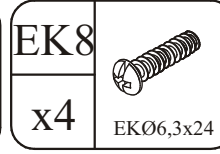
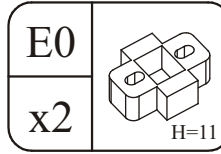
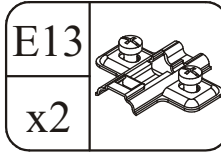
23-26



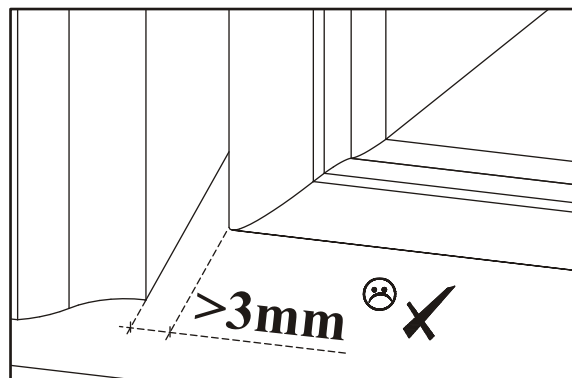
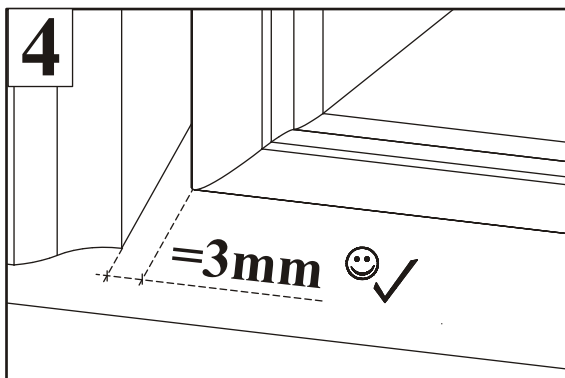
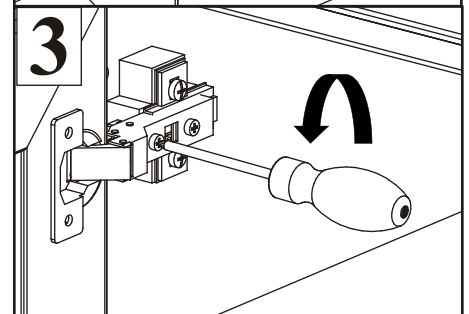
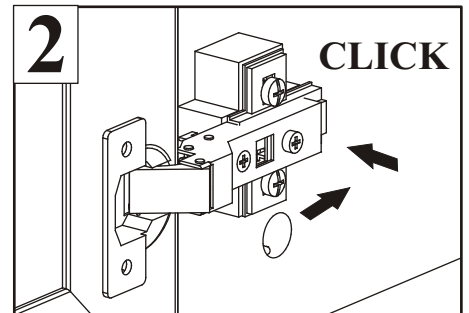
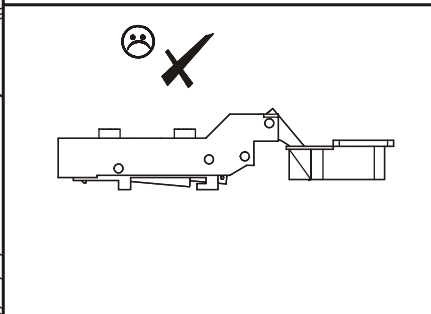
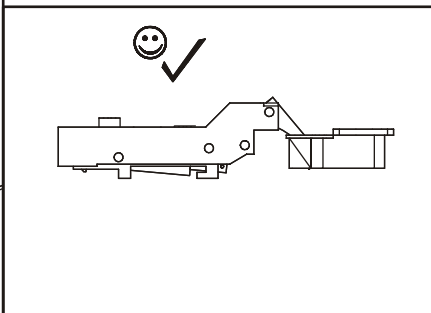
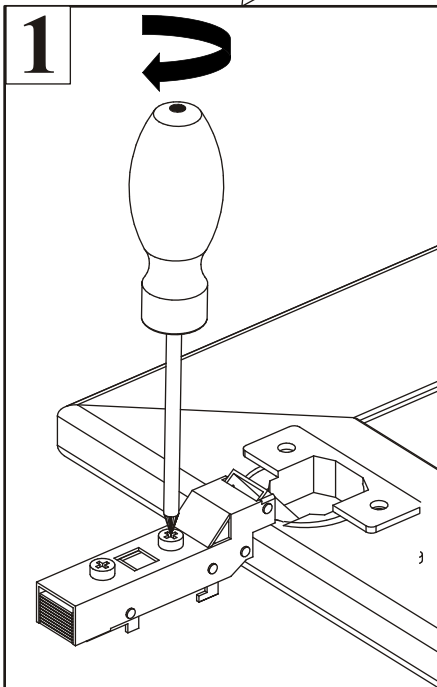
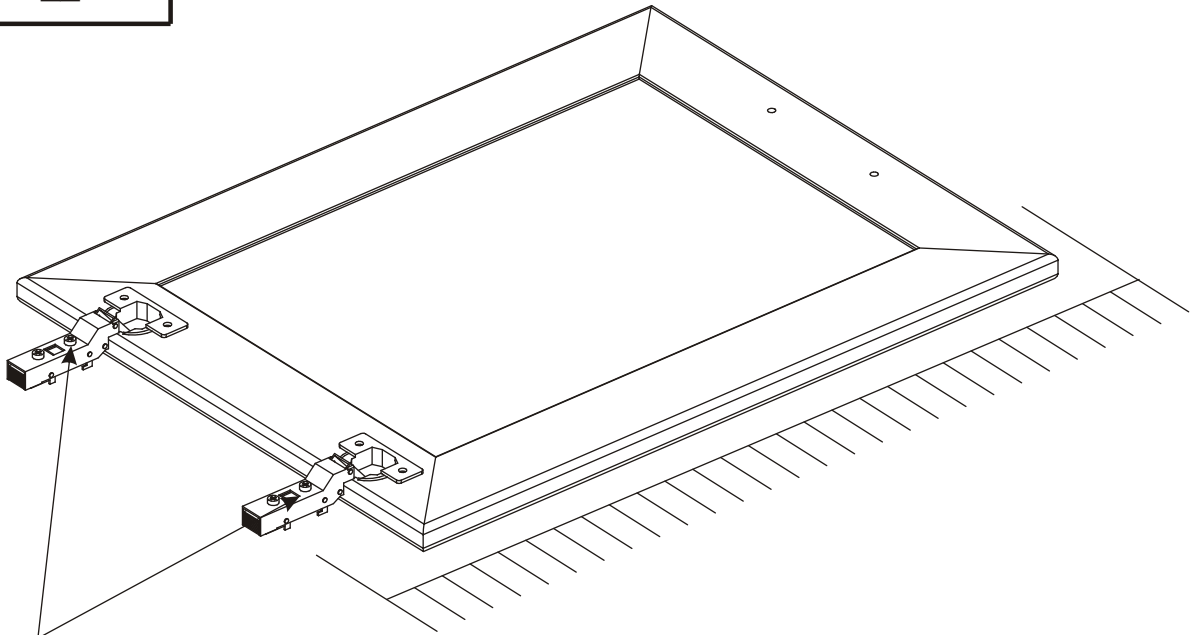
27-30



23

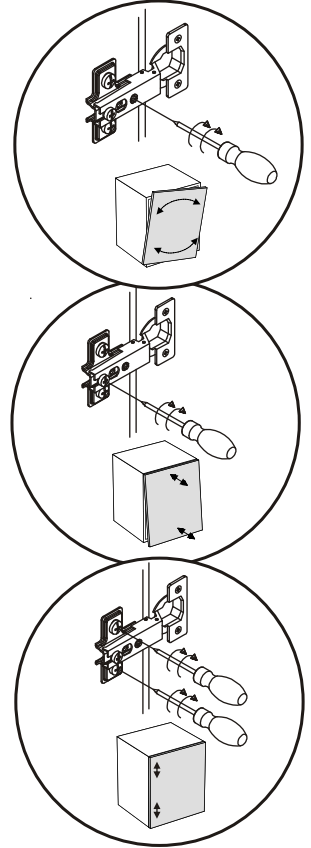
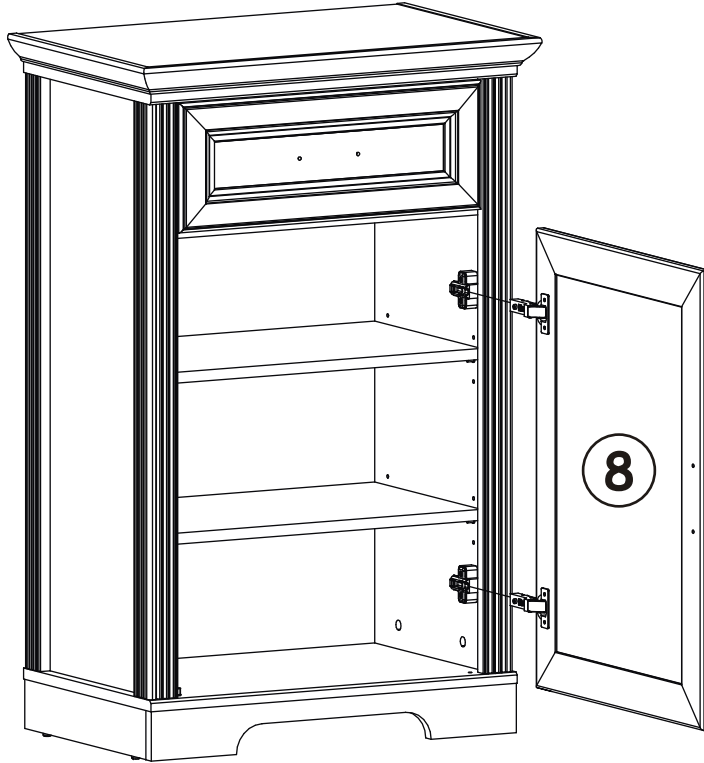
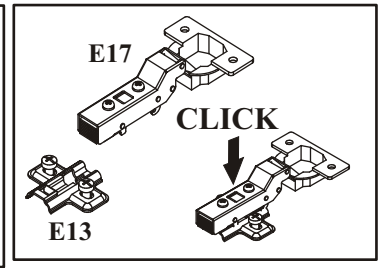
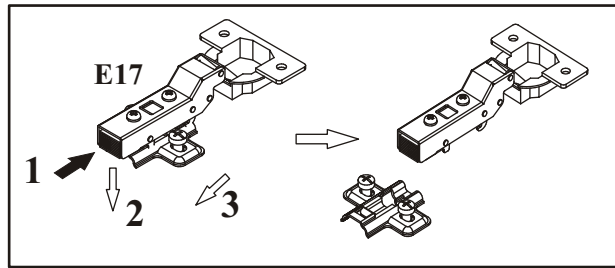


24

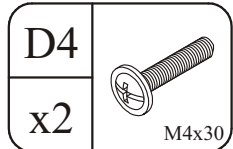
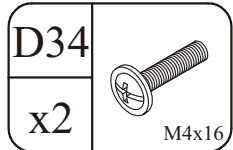
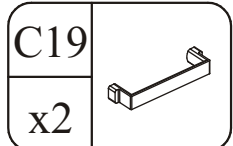
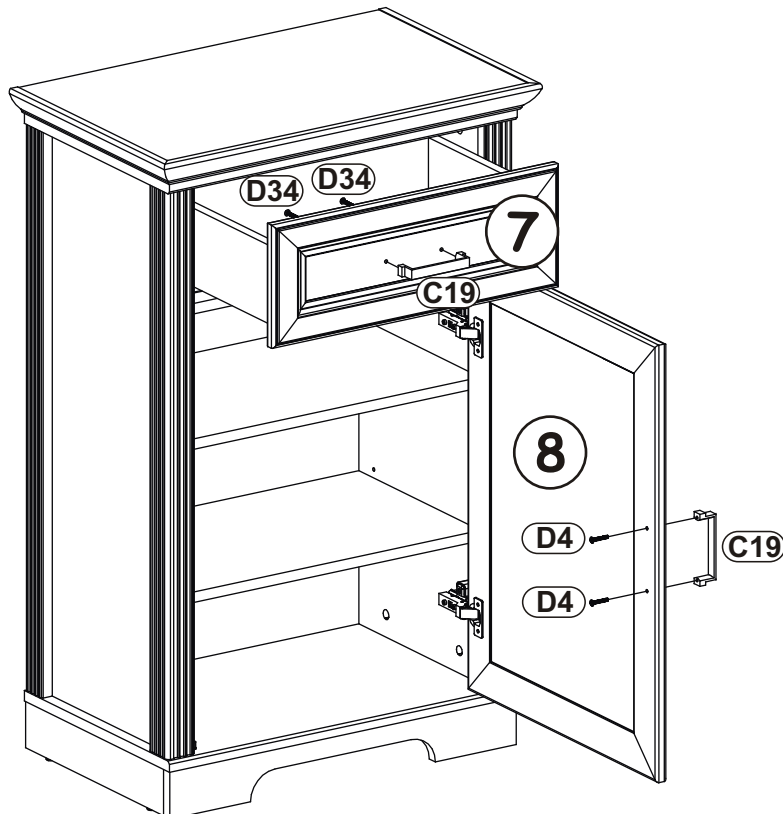




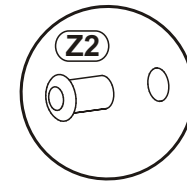
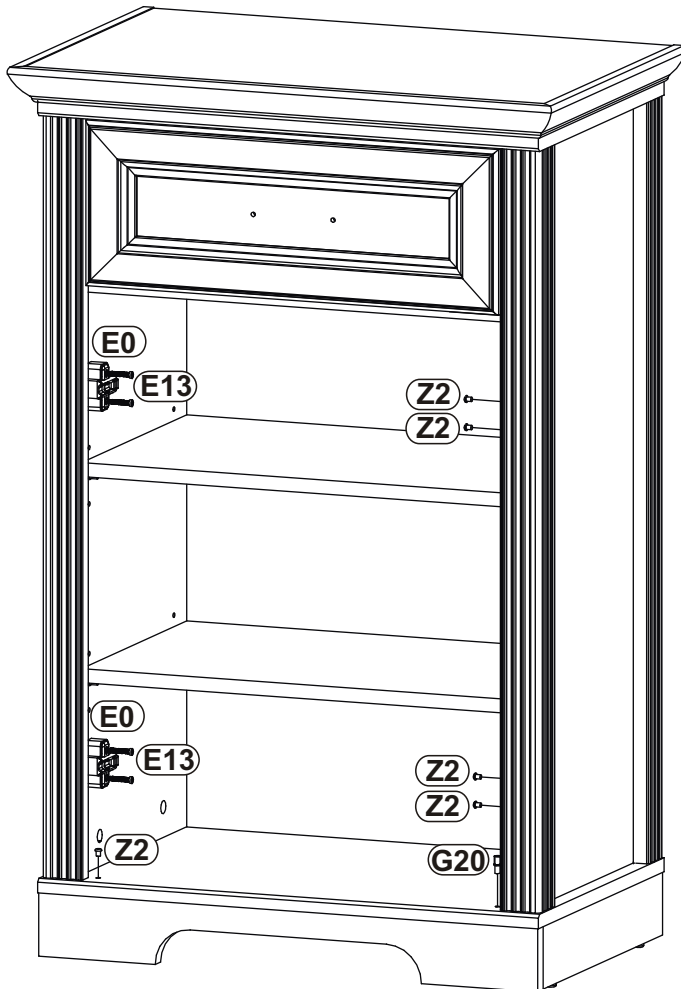
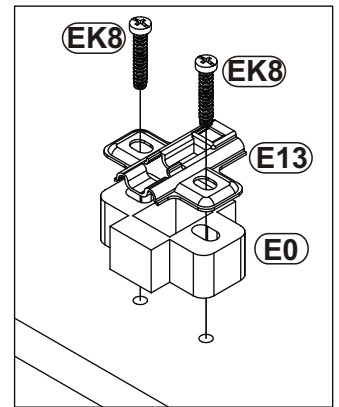
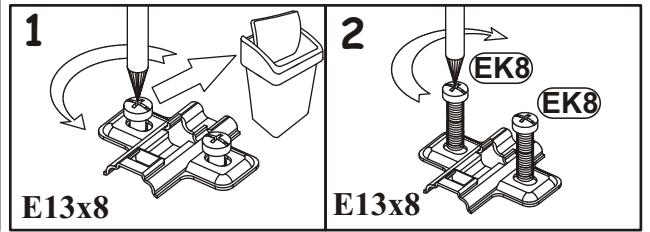
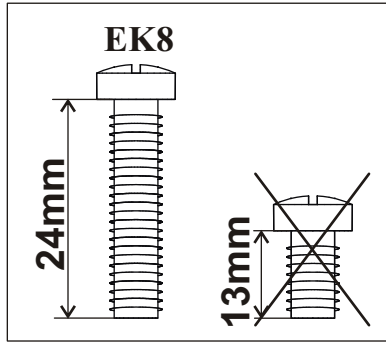
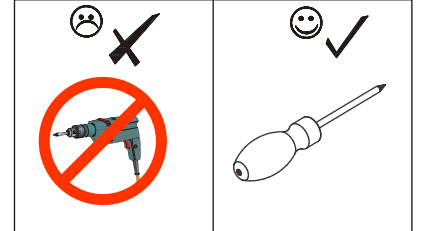
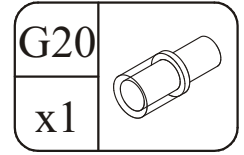
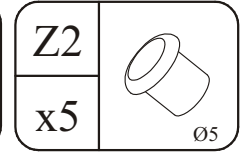
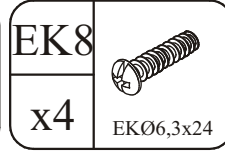
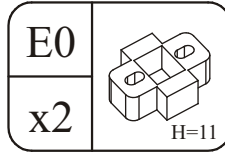
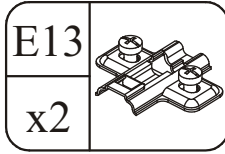
25



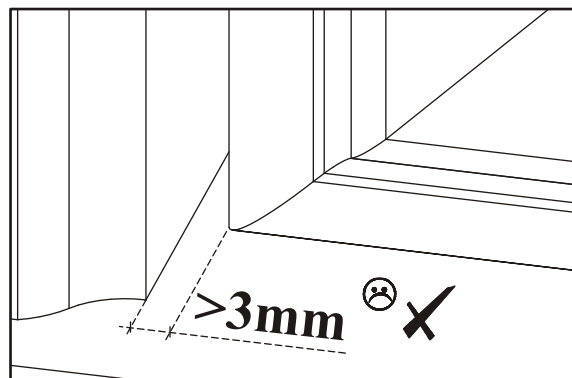
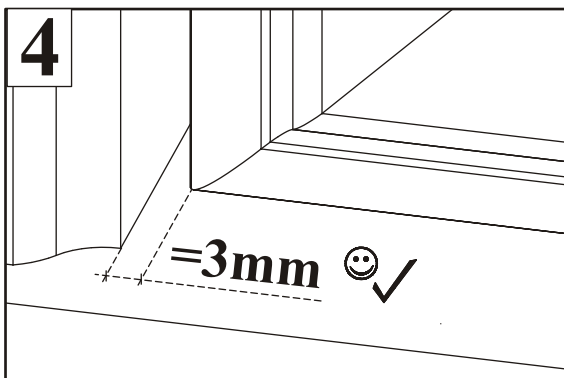
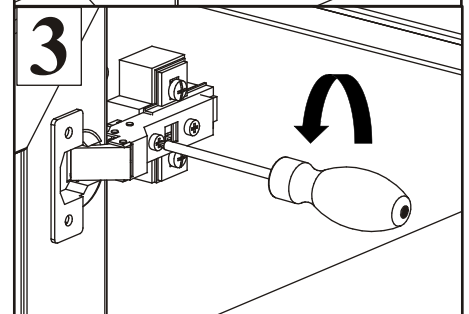
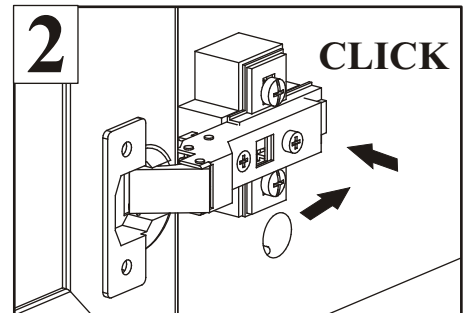
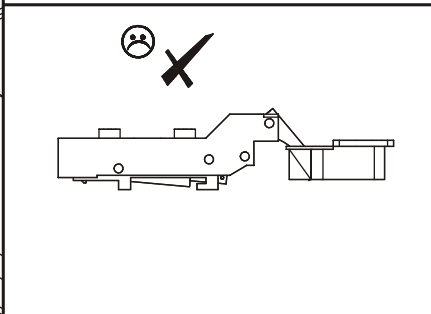
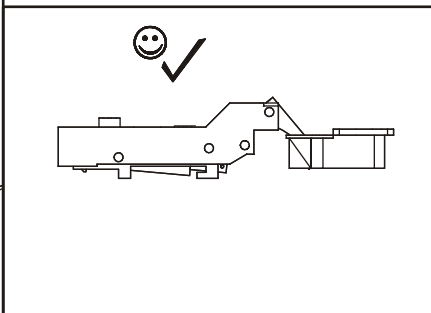
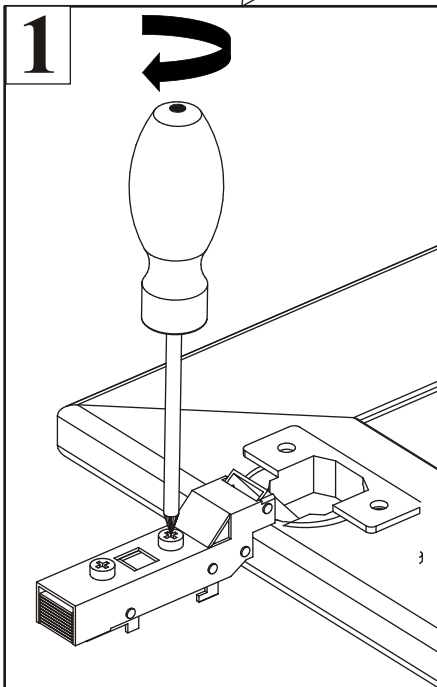
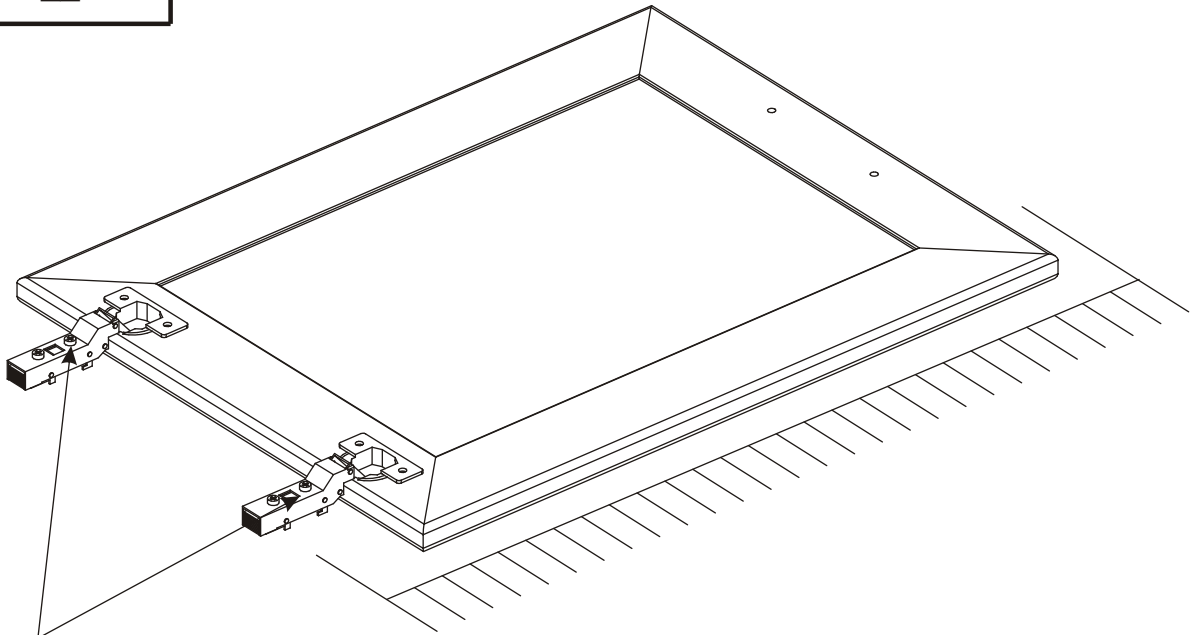
26



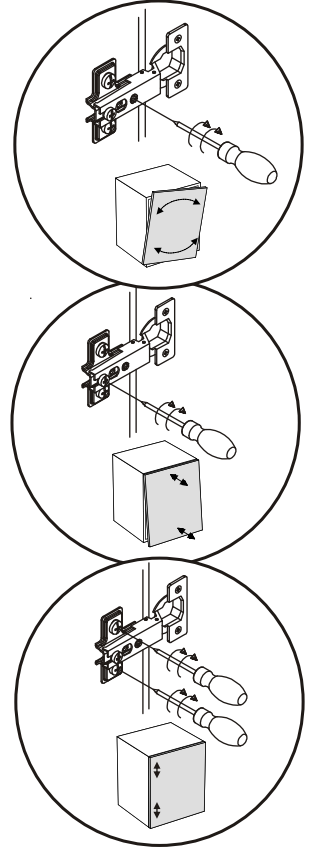
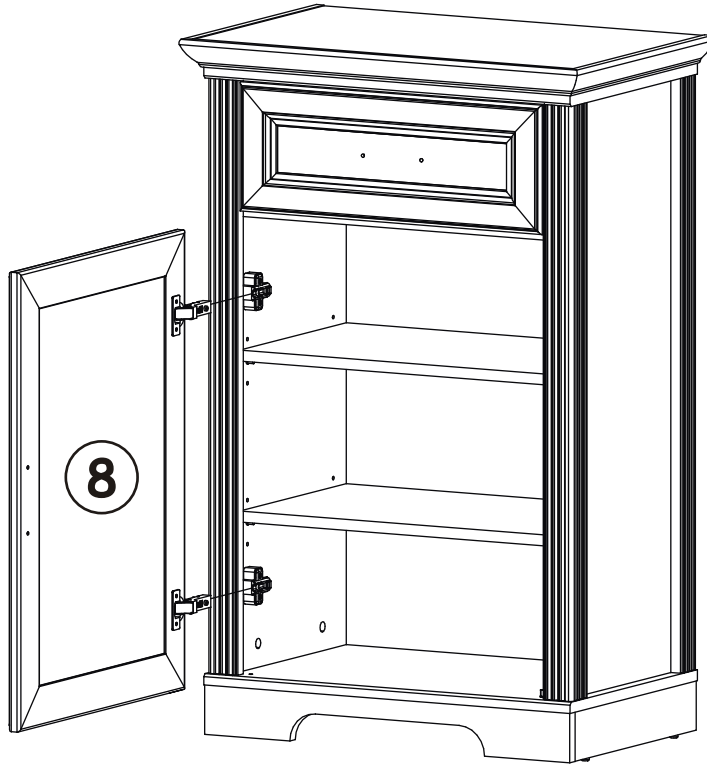
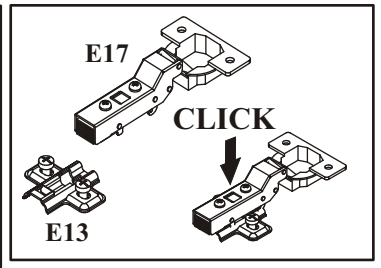
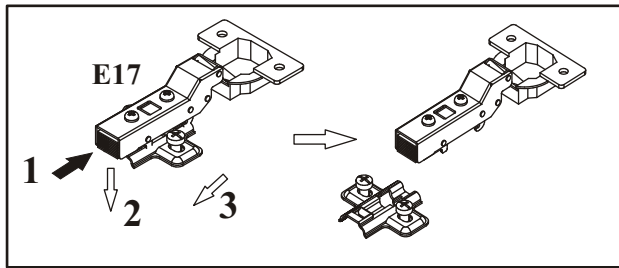
27



28



29



30

