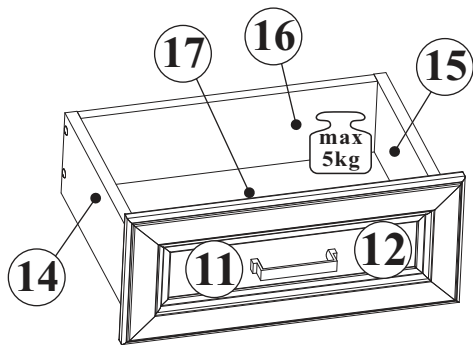
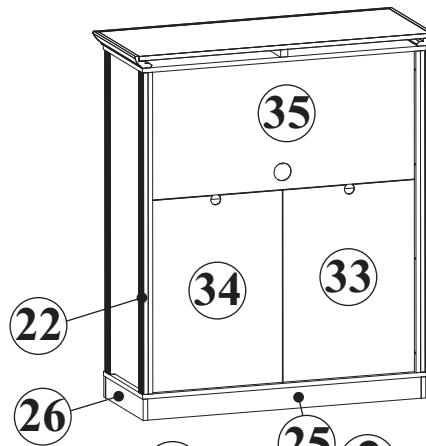
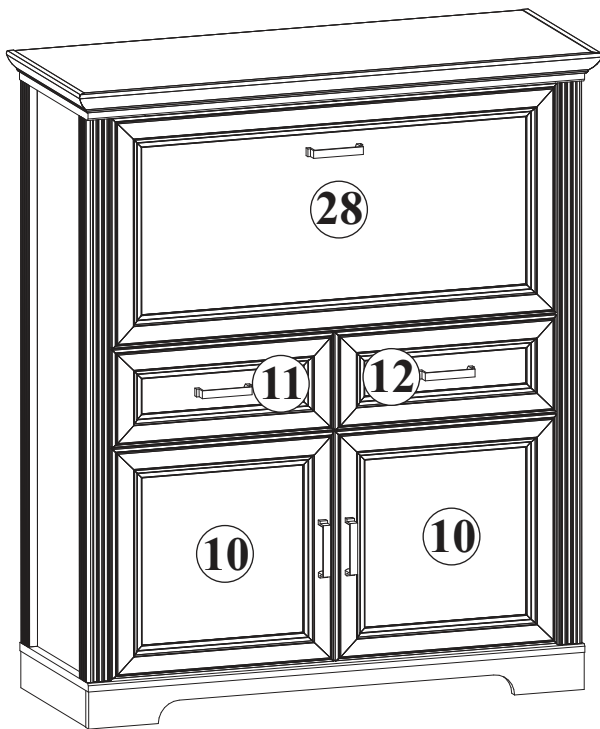
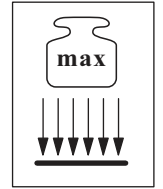
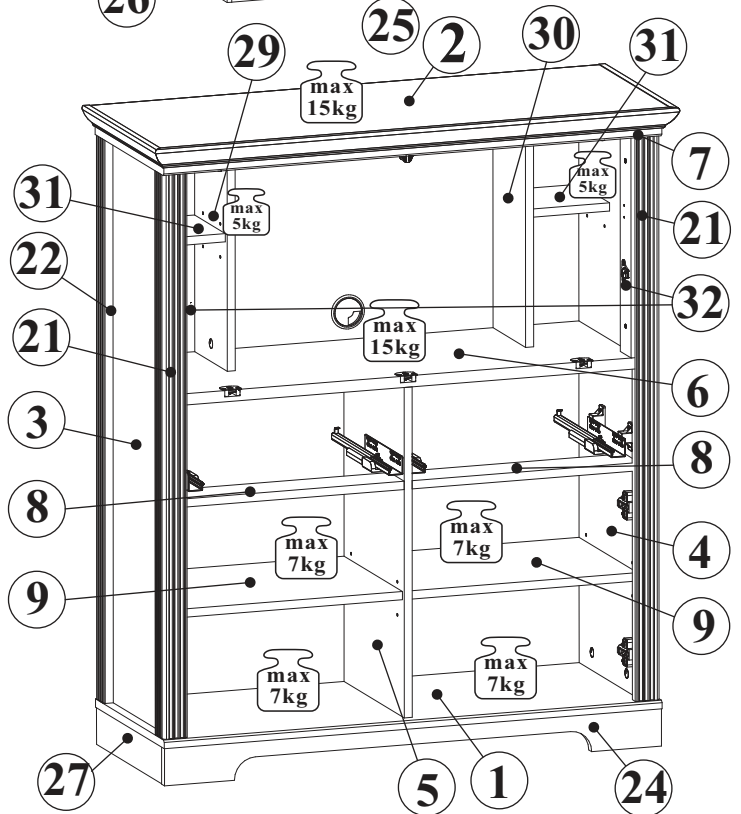


JASMIN 10G9__ 28

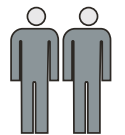


x2

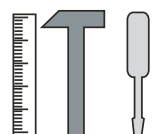


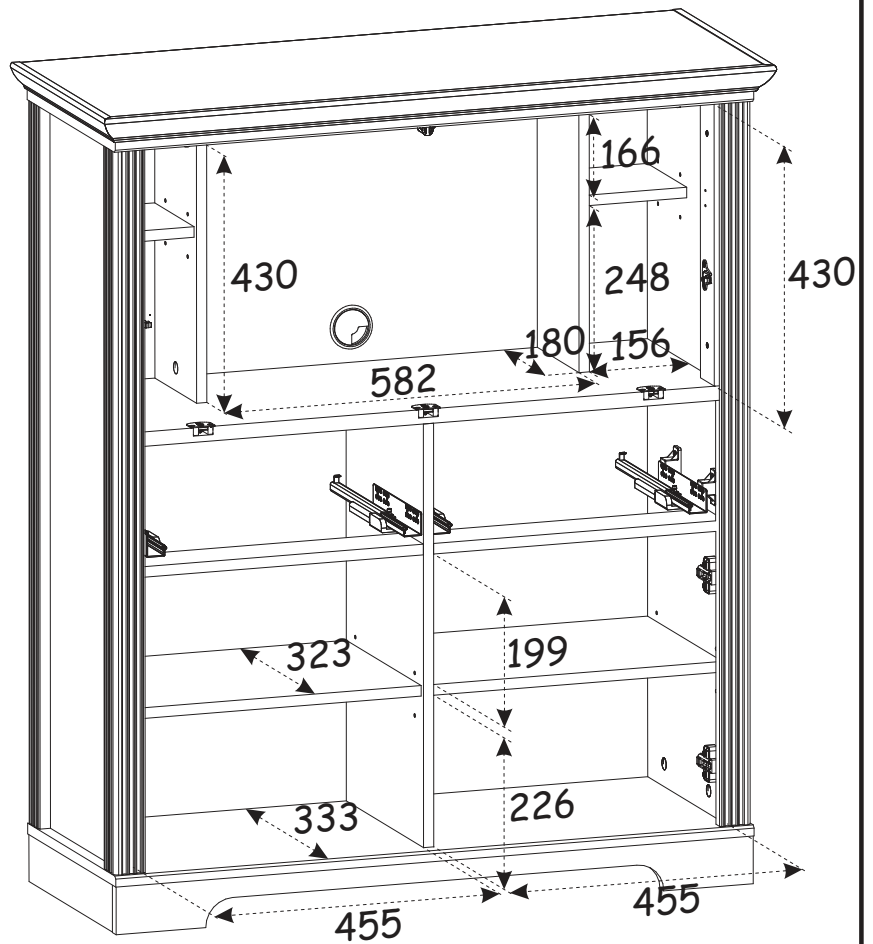
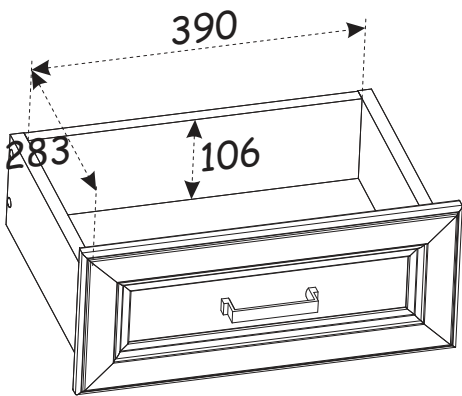
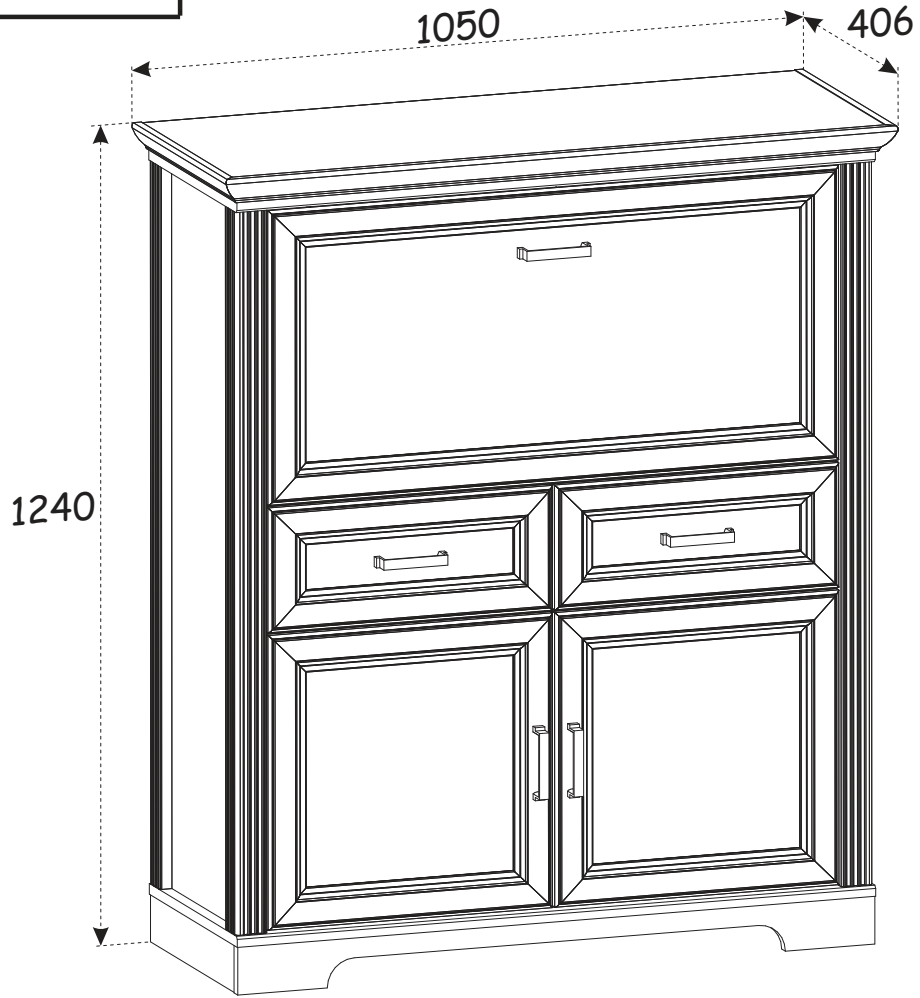
NO	Dim.			Col.-No	Qty
1	998	380	16	2/3	1
2	1051	406	42	2/3	1
3	1090	353	16	1/3	1
4	1090	353	16	1/3	1
5	638	333	16	1/3	1
6	926	333	22	1/3	1
7	998	380	16	2/3	1
8	455	80	16	2/3	2
9	455	323	16	2/3	2
10	444	444	22	3/3	2
11	444	188	22	3/3	1
12	444	188	22	3/3	1
14	300	120	16	2/3	2
15	300	120	16	2/3	2
16	390	106	16	2/3	2
17	304	402	3	2/3	2

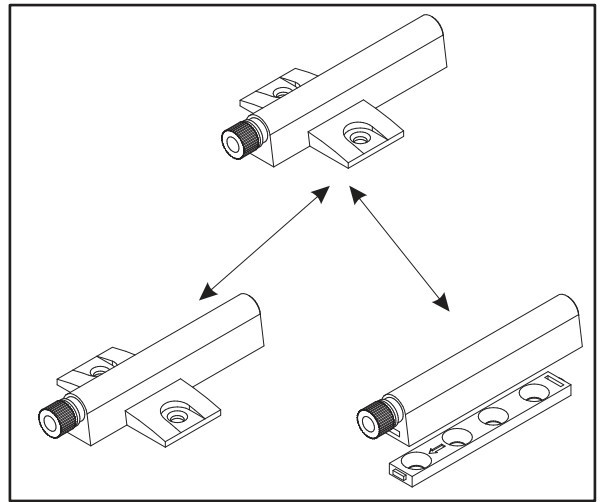
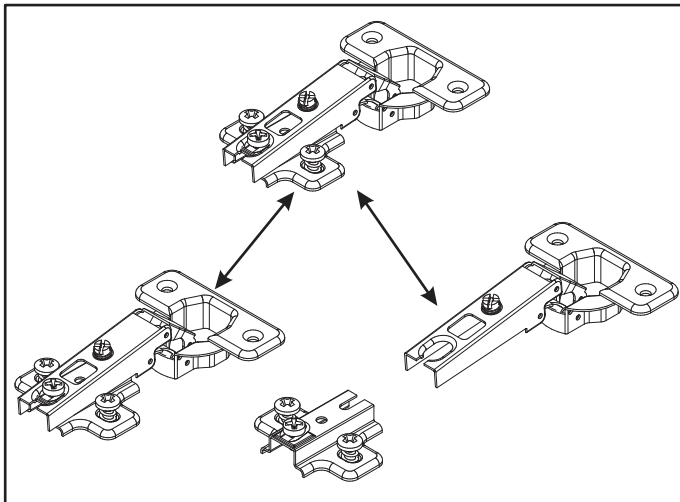
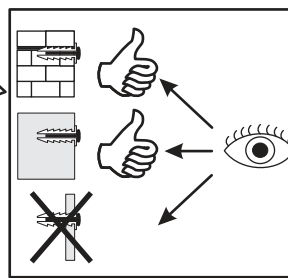
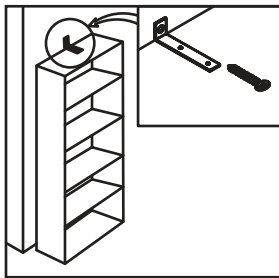
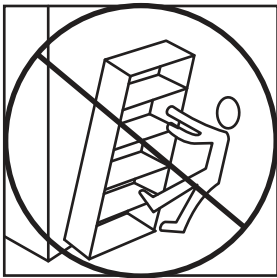
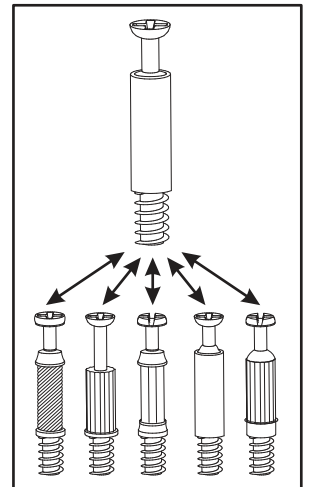
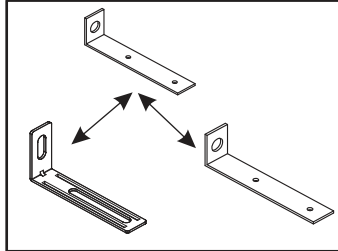
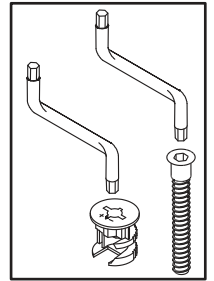
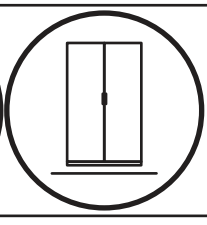
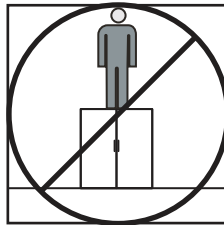
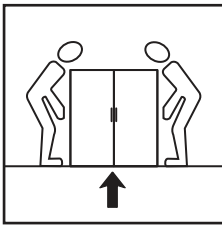
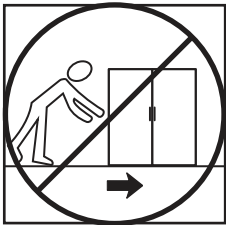
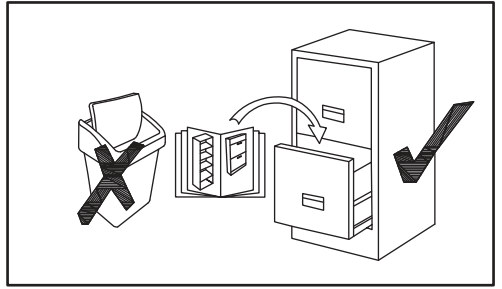
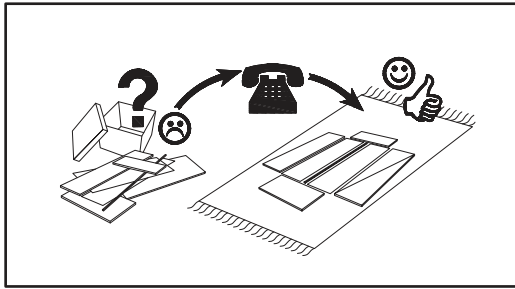
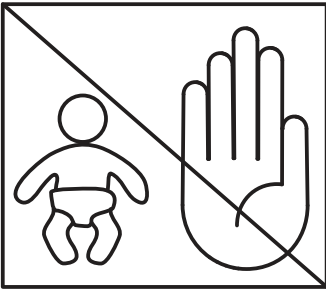
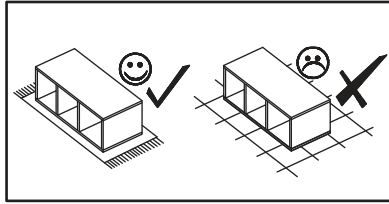
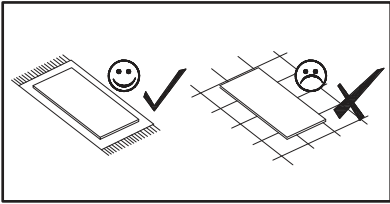
NO	Dim.			Col.-No	Qty
21	1090	49	49	1/3	2
22	1090	43	19	1/3	2
24	996	72	16	1/3	1
25	962	72	16	1/3	1
26	363	72	16	1/3	1
27	363	72	16	1/3	1
28	892	442	22	3/3	1
29	430	180	16	1/3	1
30	430	180	16	1/3	1
31	156	170	16	1/3	2
32	430	60	16	1/3	2
33	657	468	3	3/3	1
34	657	468	3	3/3	1
35	938	443	3	3/3	1



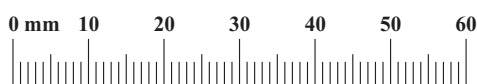
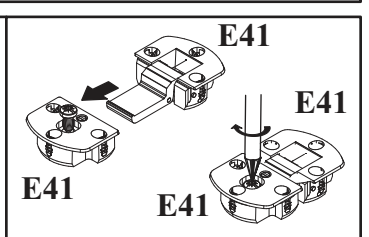
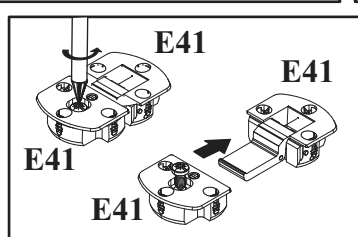
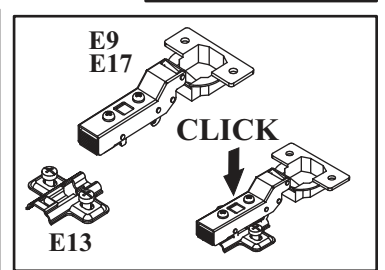
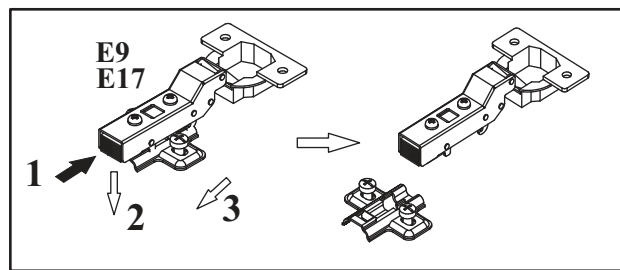
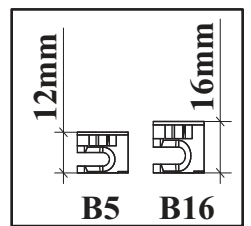
180 min



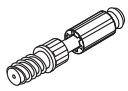


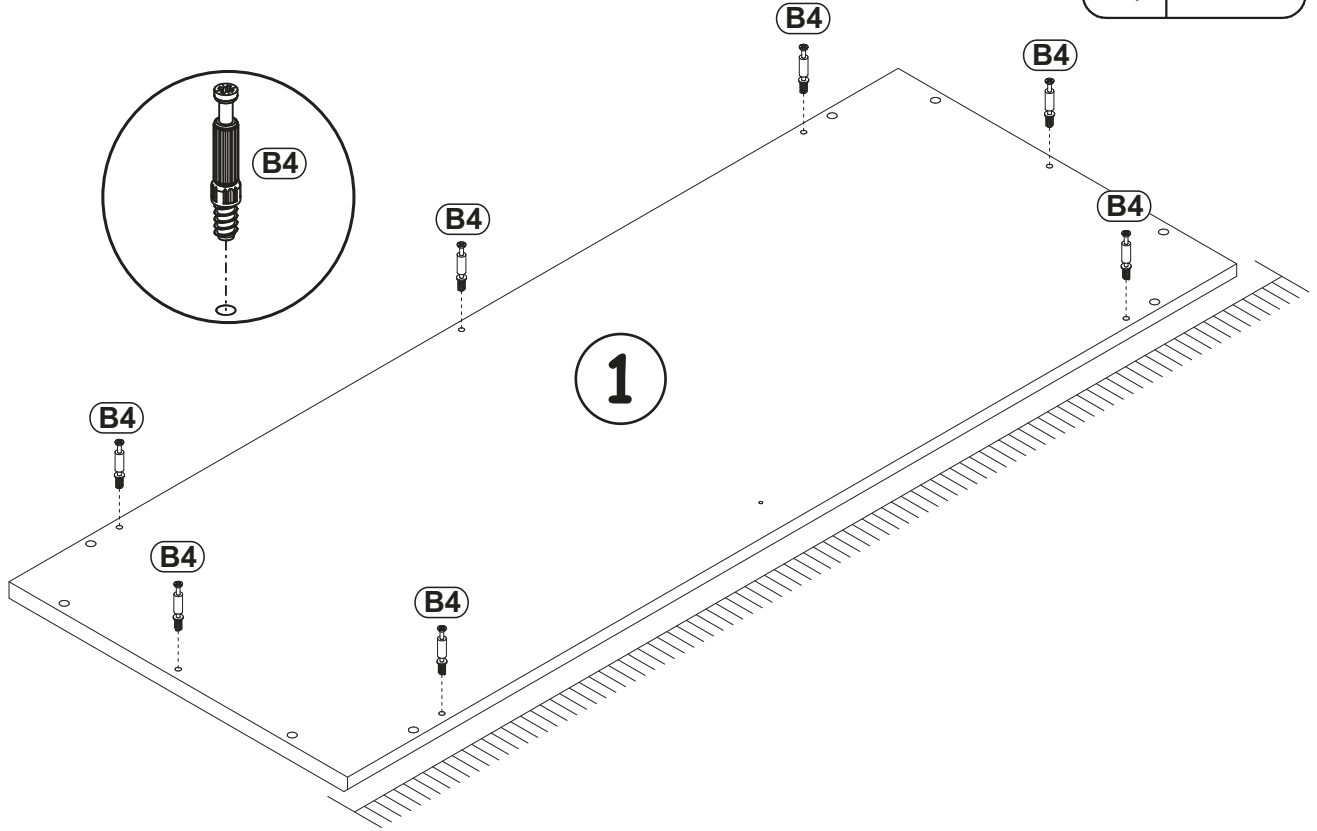


A1 x48 ø8x36	B11 x8 Ø7x50	B14 x7 Ø7x30	G4 x8	G12 x27 Ø14	B4 x37
B5 x35 ø15x12	B16 x4 Ø15x16	G5 x39	E17 x4 Ø35 H=16	E13 x4	E0 x4 H=11
E41 x3	SFD1 x2	MG2 x1	KM1 x1	G16 x9	S1 x20
I2 x9	I99 x1 H-75 mm.	HW1 x4	G17 x1 Ø60x3	G7 x16	C19 x5
QU3 x2 L-300mm	B6 x1 Ø7x76	D10 x26 USØ3,5x13	EK8 x8 EKØ6,3x24	EK6 x8 EKØ6,3x13	D20 x8 ESØ6x9,5
WS4 x2 WS4X16	D28 x4 M4x28	D34 x4 M4x16	D24 x20 USØ4x30	UP9 x33 UPØ3,5x16	L1 x2
KR1 x2	G2 x1	D7 x18 USØ3x16			




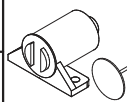
1

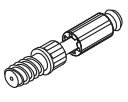
B4	
x7	

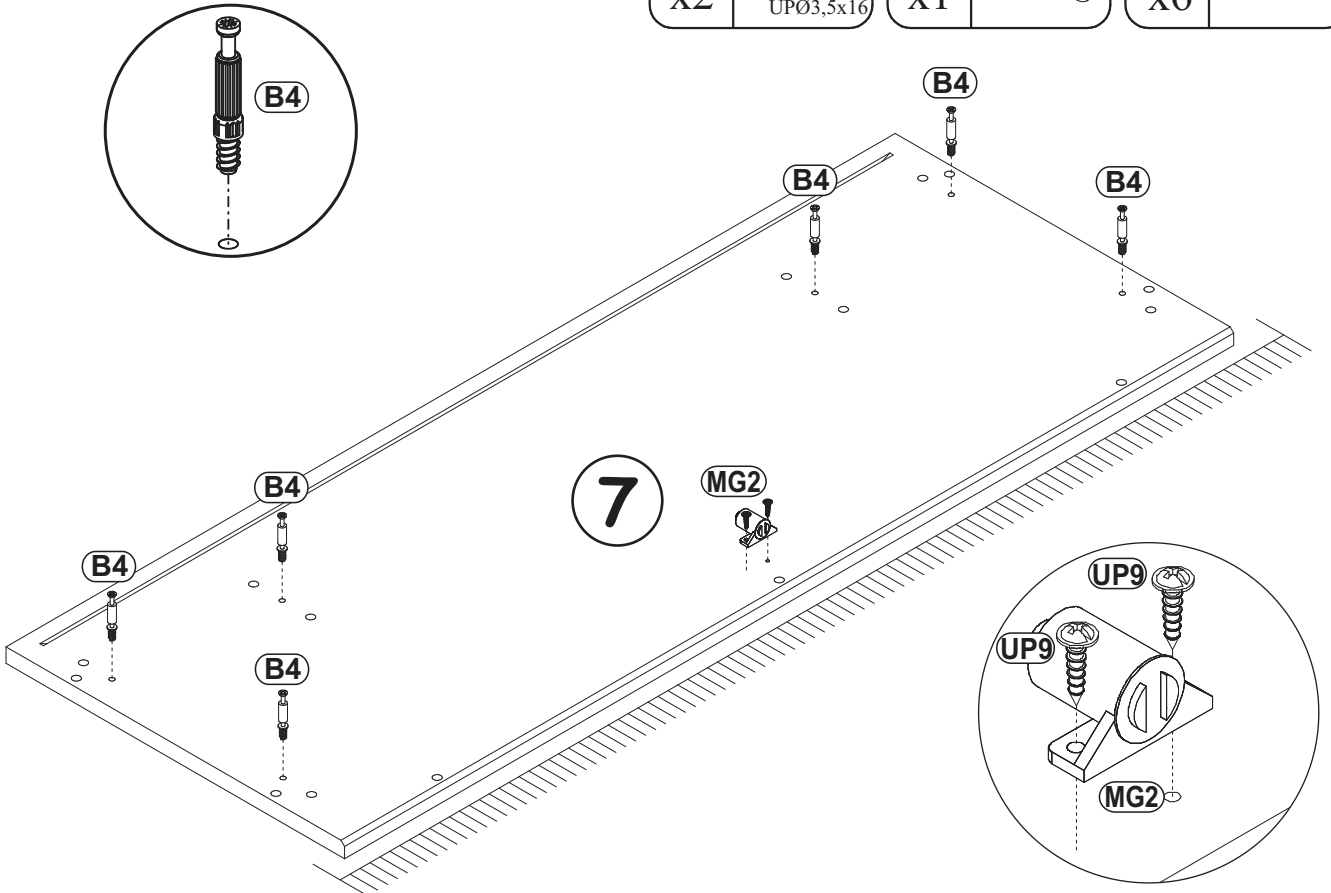


2

UP9	
x2	UPØ3,5x16

MG2	
x1	

B4	
x6	



3

E0	
x2	

E13	
x2	

A1	
x4	ø8x36

B5	
x4	ø15x12

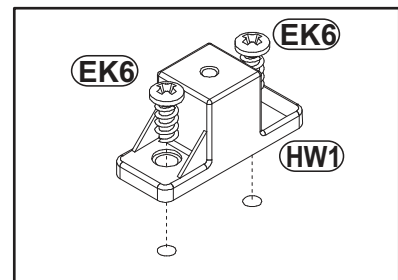
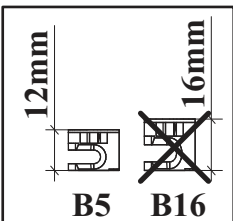
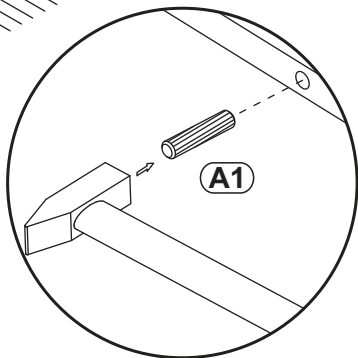
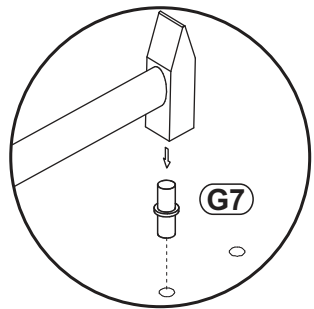
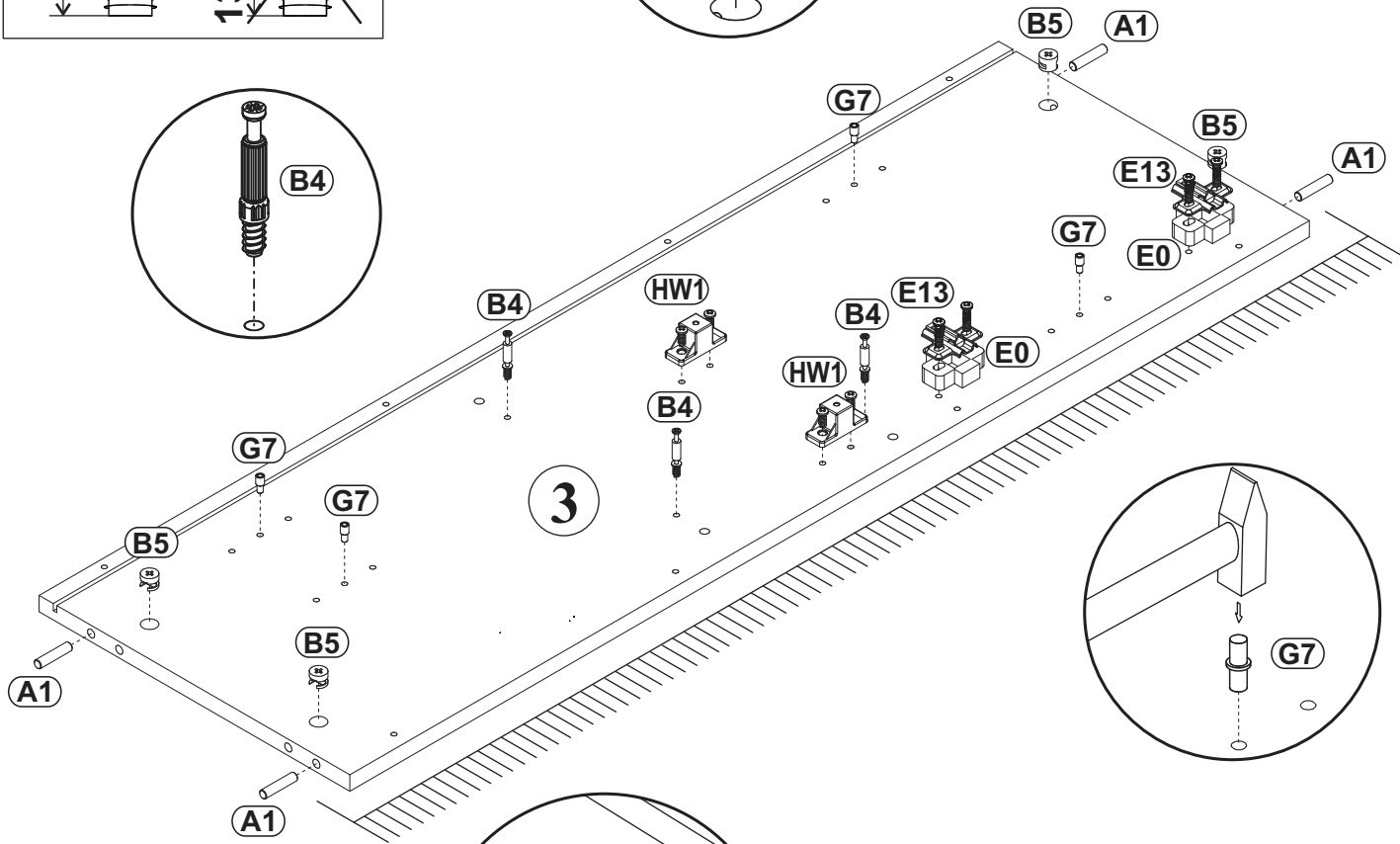
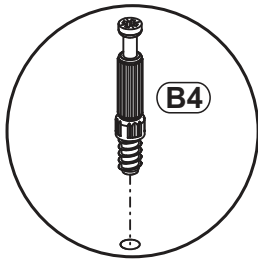
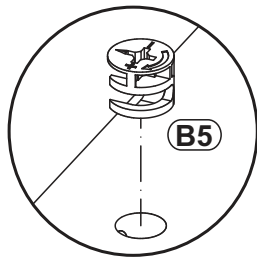
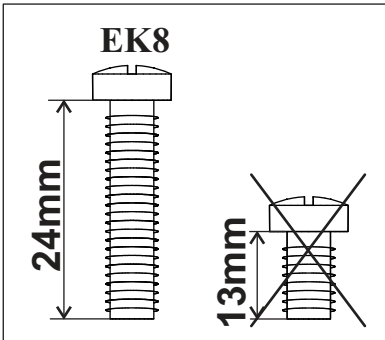
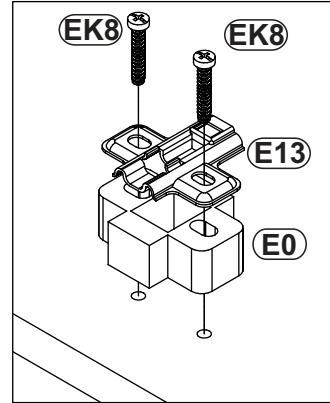
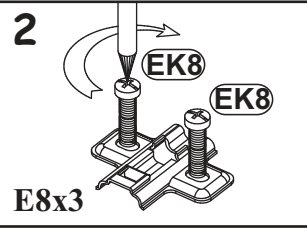
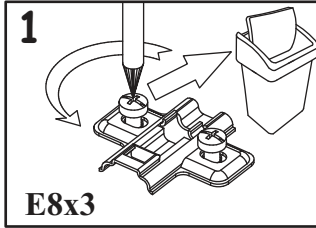
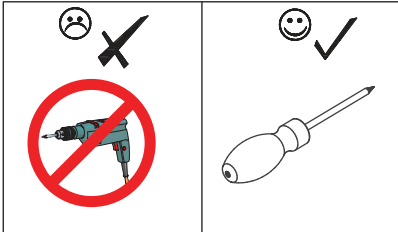
EK6	
x4	EKØ6,3x13

HW1	
x2	

B4	
x3	

EK8	
x4	EKØ6,3x24

G7	
x4	



4

E0	
x2	

E13	
x2	

A1	
x4	ø8x36

B5	
x4	ø15x12

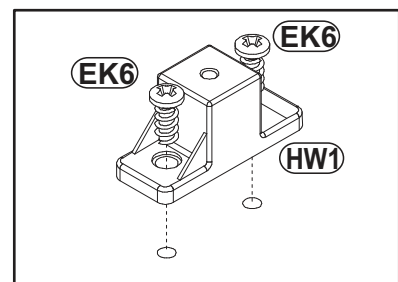
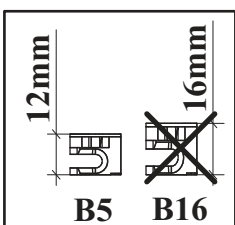
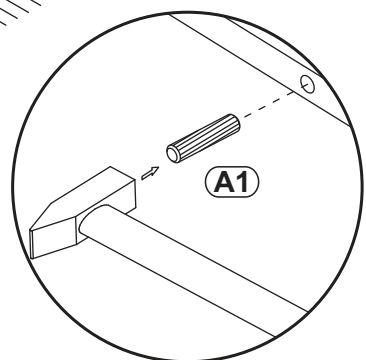
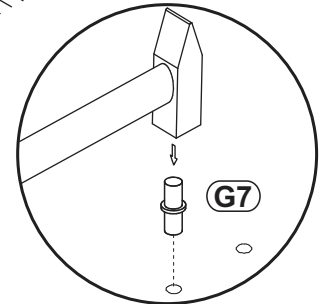
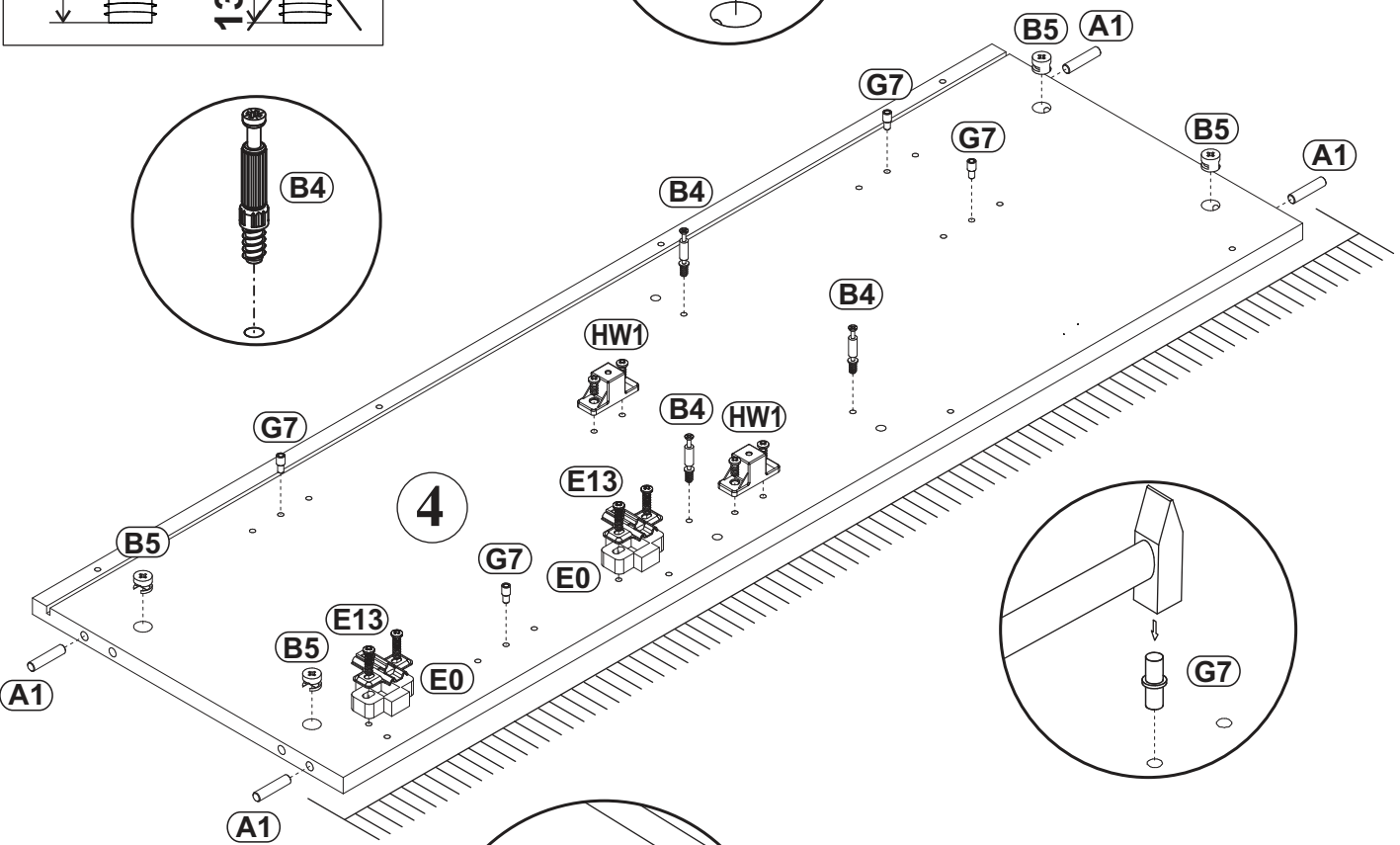
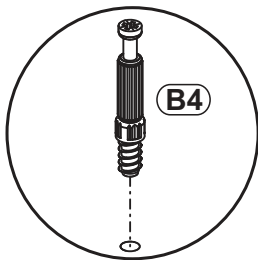
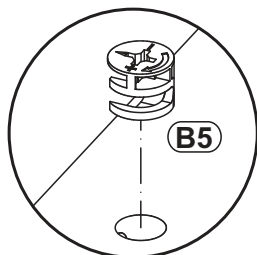
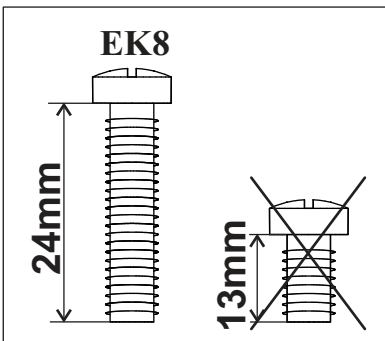
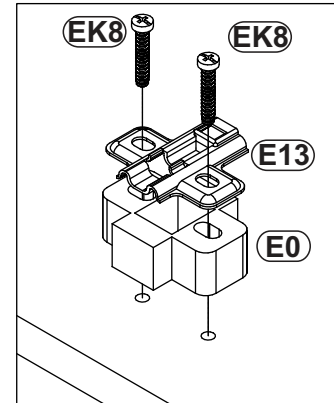
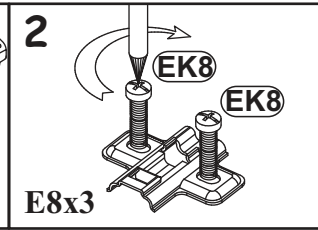
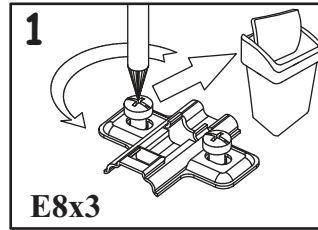
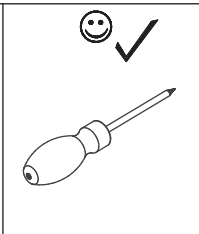
EK6	
x4	EKØ6,3x13

HW1	
x2	

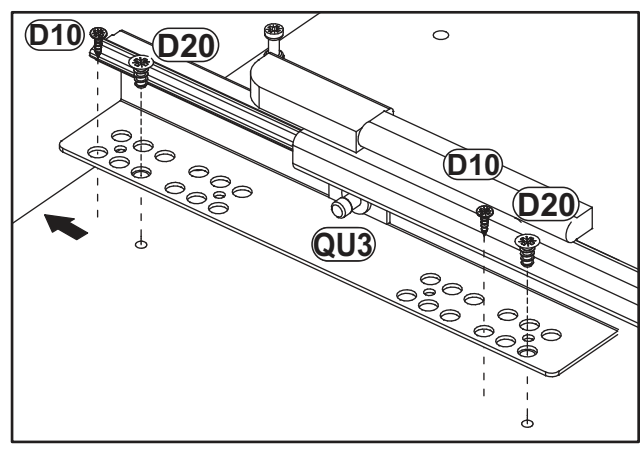
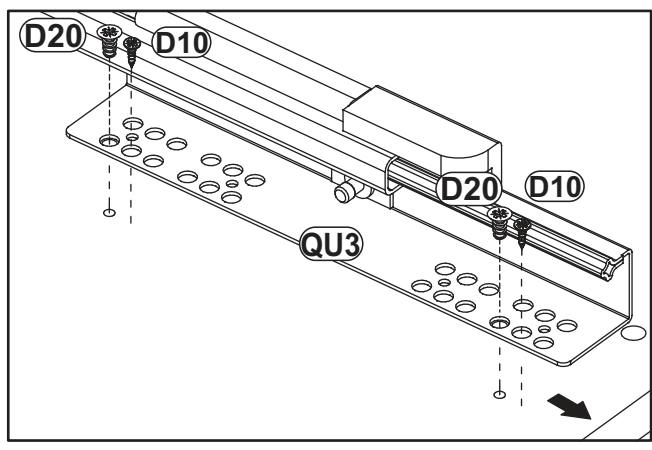
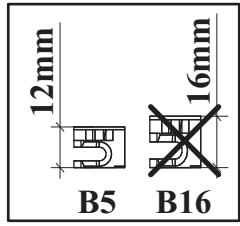
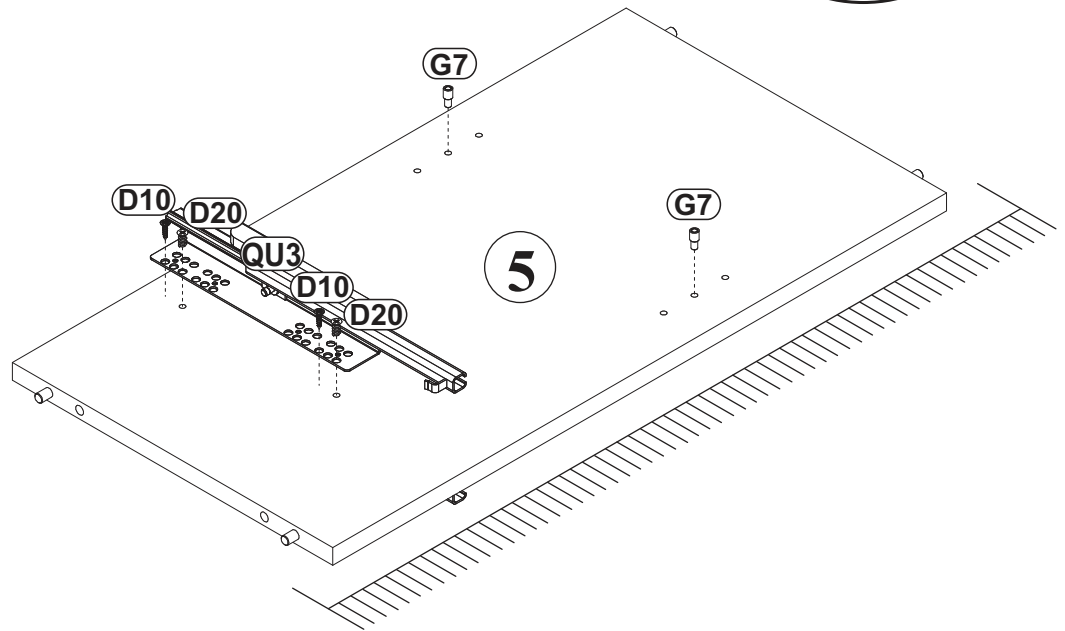
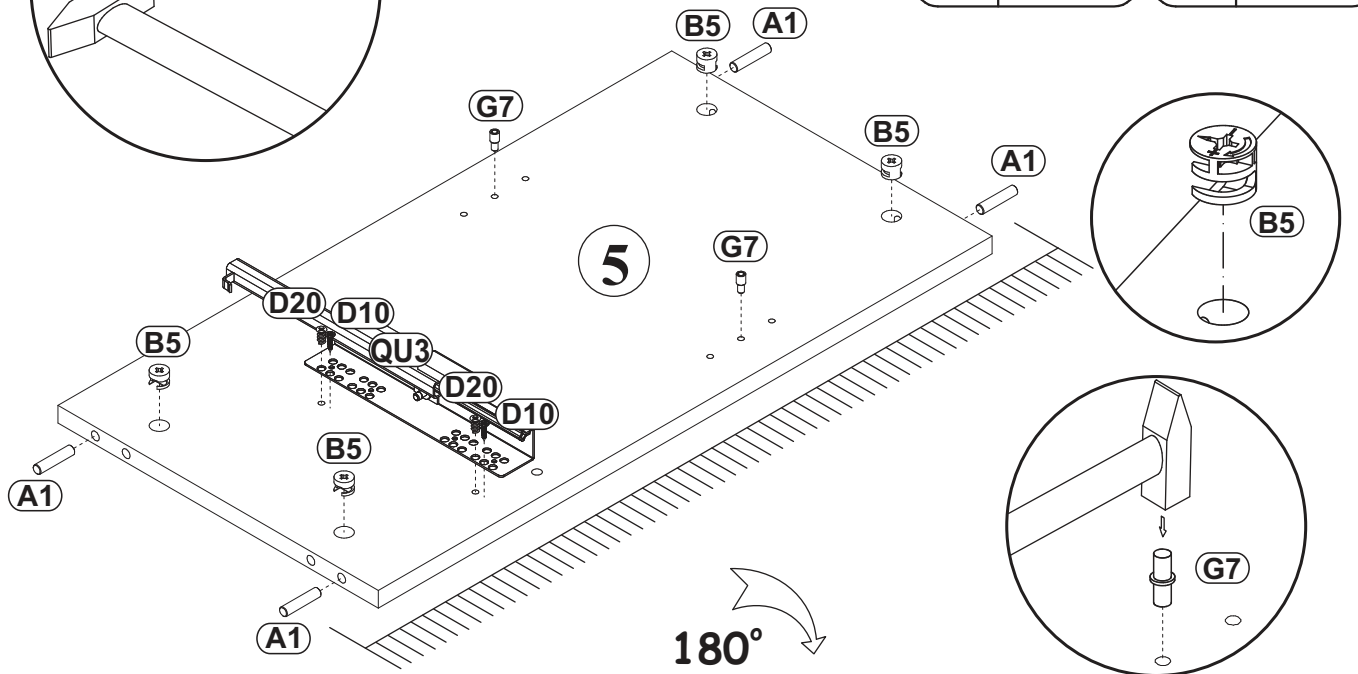
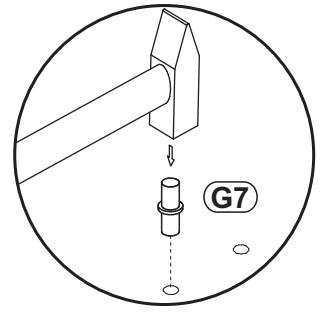
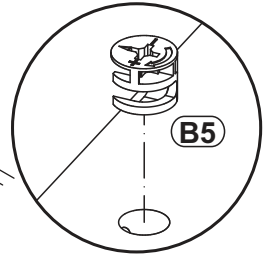
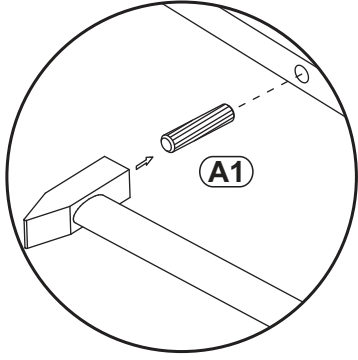
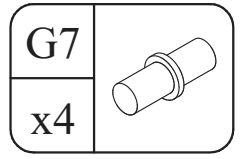
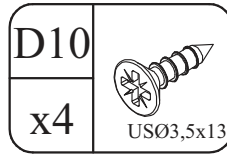
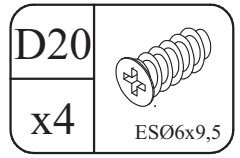
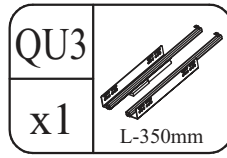
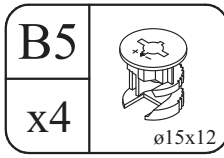
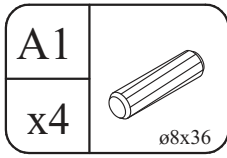
B4	
x3	

EK8	
x4	EKØ6,3x24

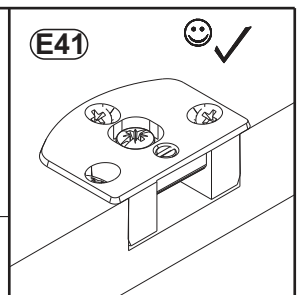
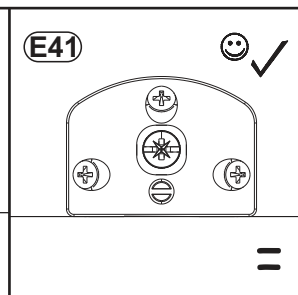
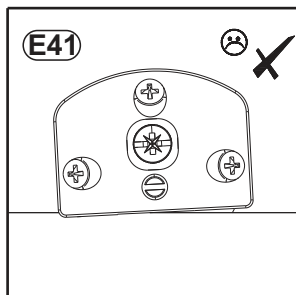
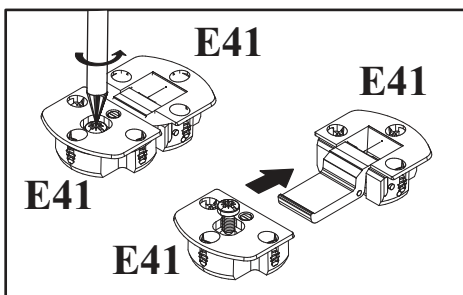
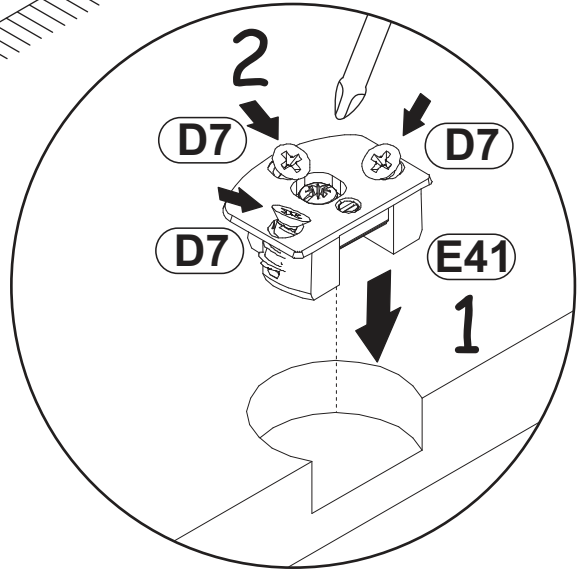
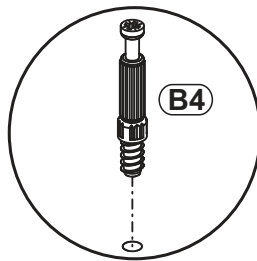
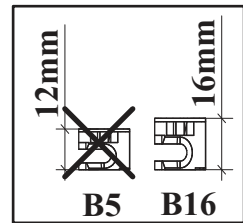
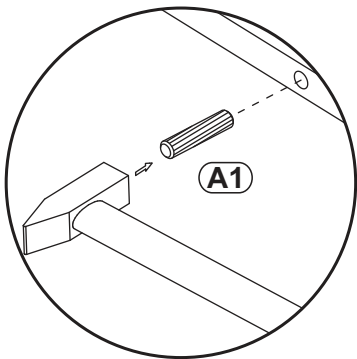
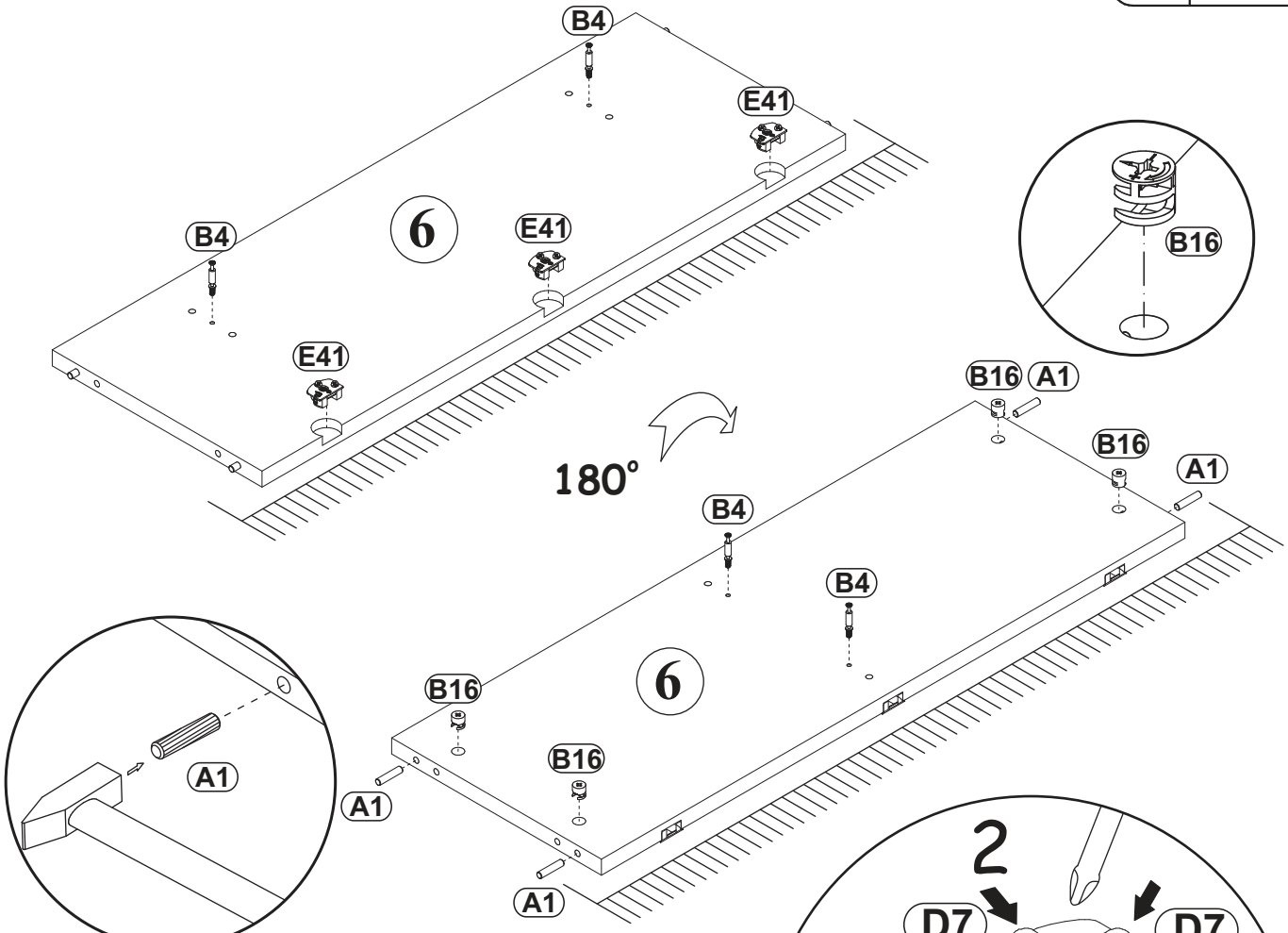
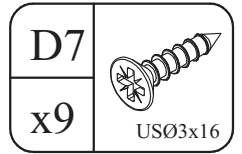
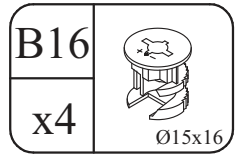
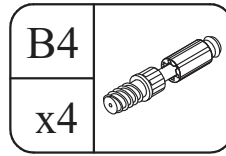
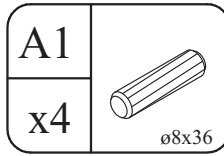
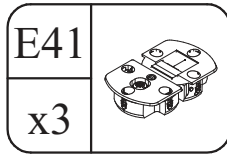
G7	
x4	



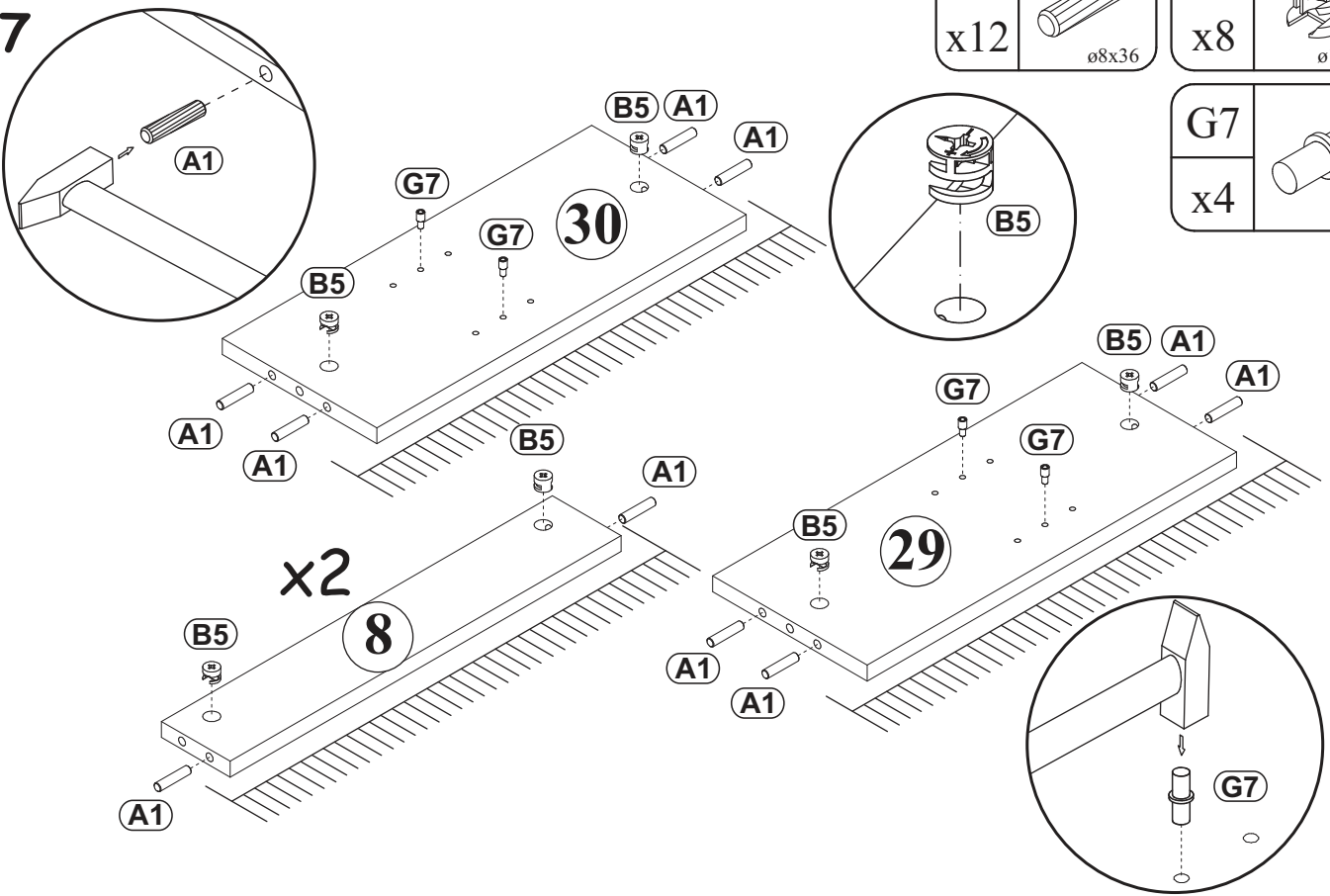
5

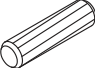


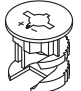
6

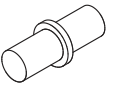


7

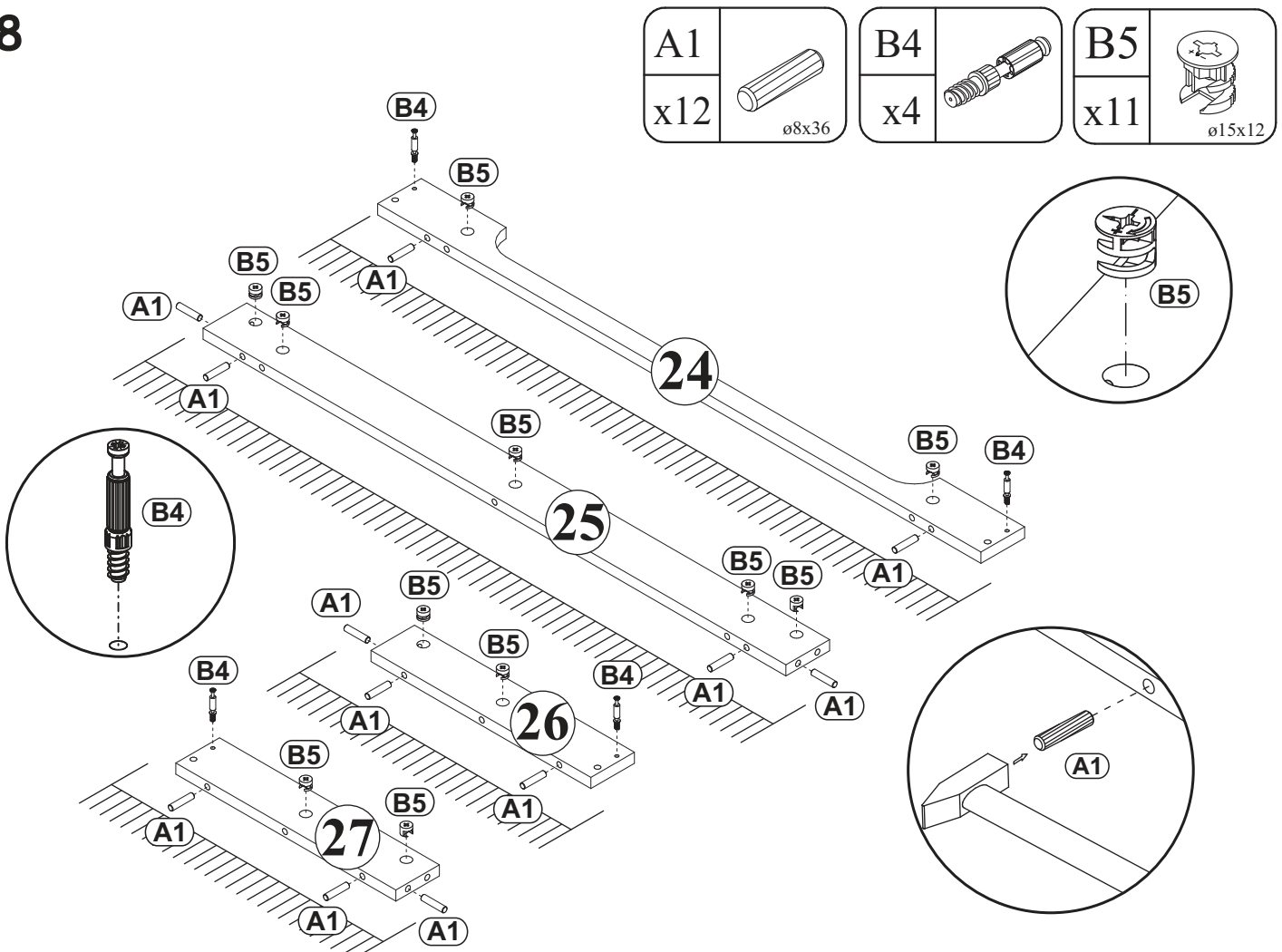


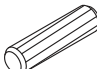
A1	
x12	ø8x36

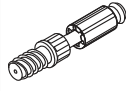
B5	
x8	ø15x12

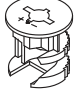
G7	
x4	

8

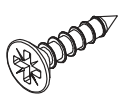

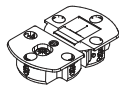
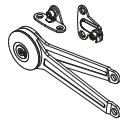


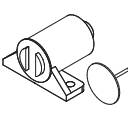
A1	
x12	ø8x36

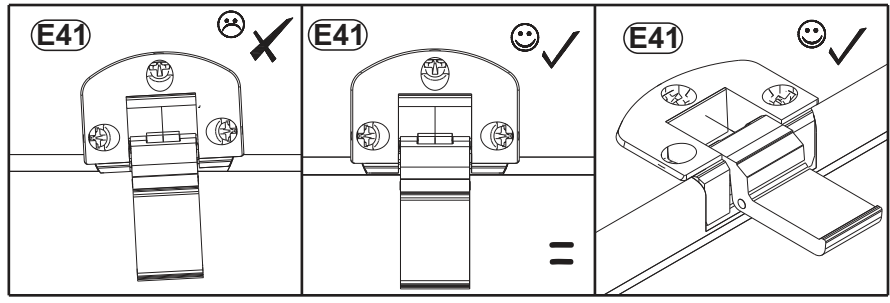
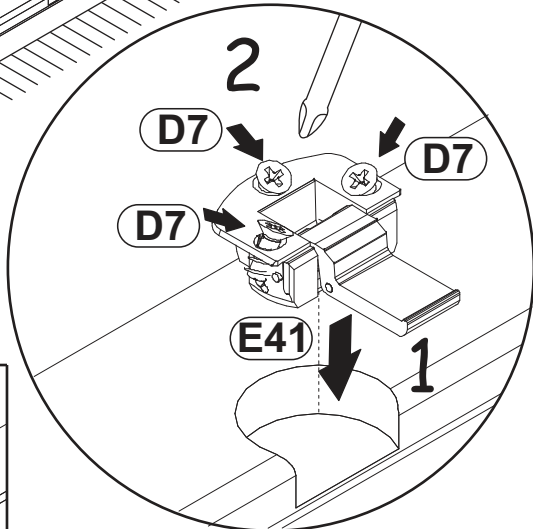
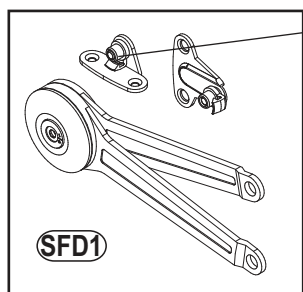
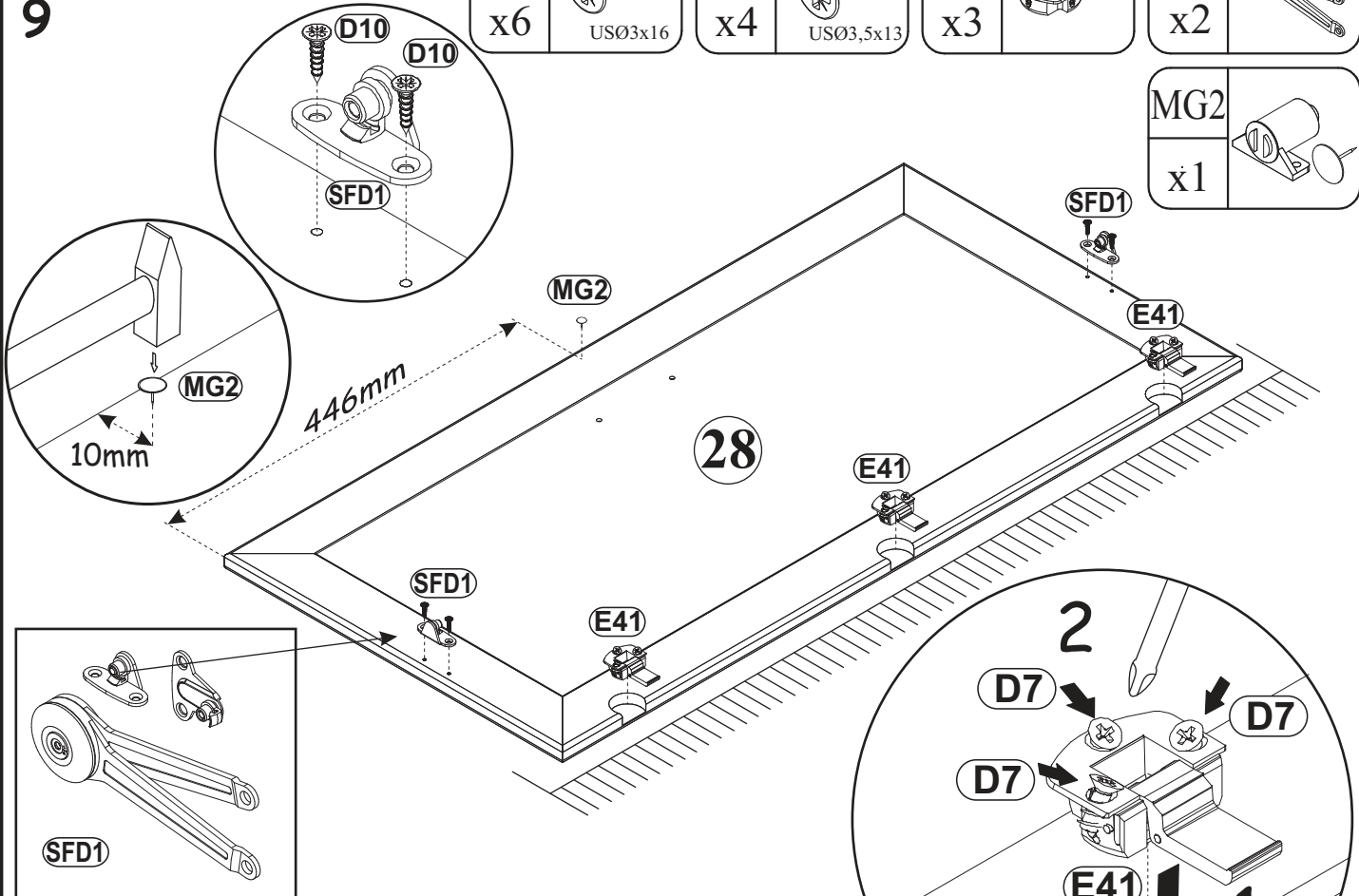
B4	
x4	

B5	
x11	ø15x12

9



D7		D10		E41		SFD1	
x6	USØ3x16	x4	USØ3,5x13	x3		x2	

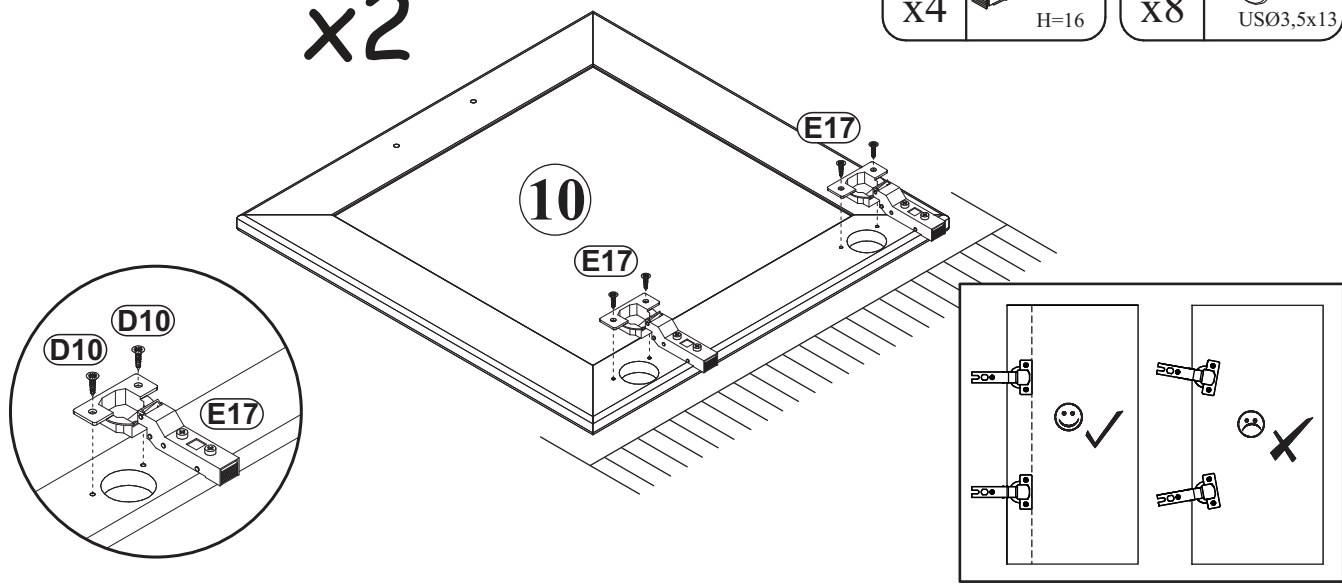
MG2	
x1	



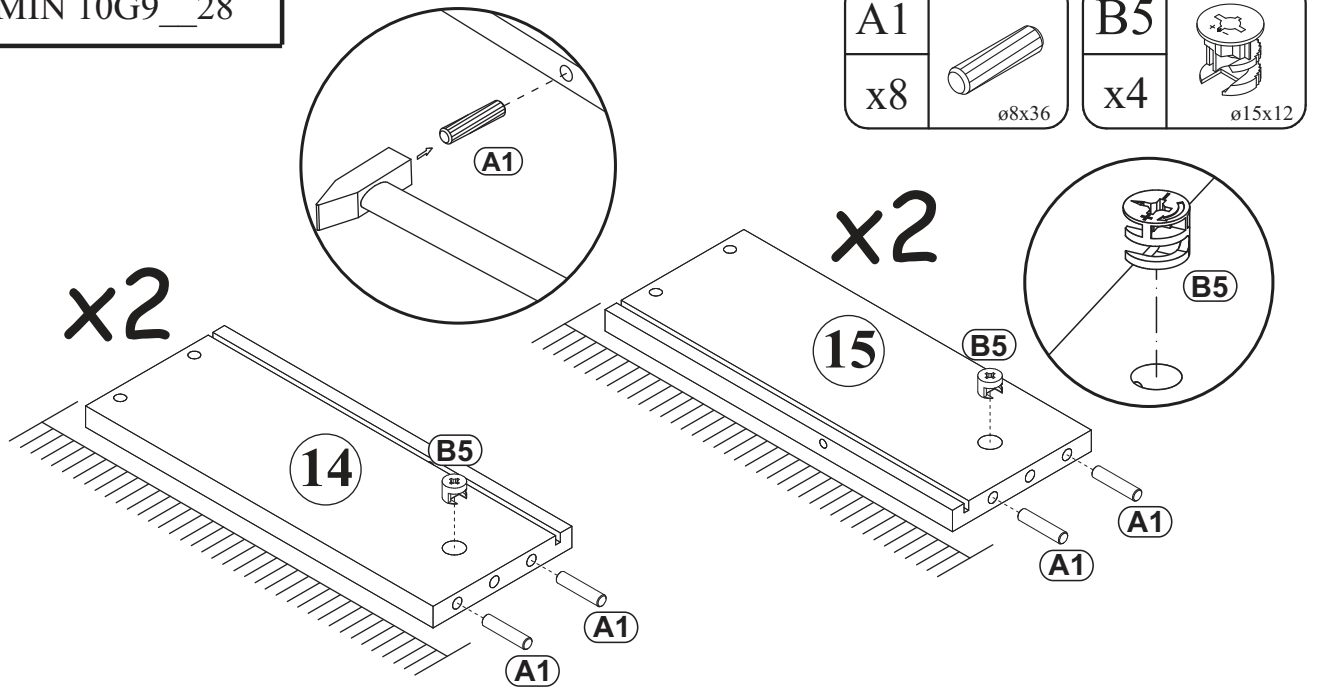
10

x2

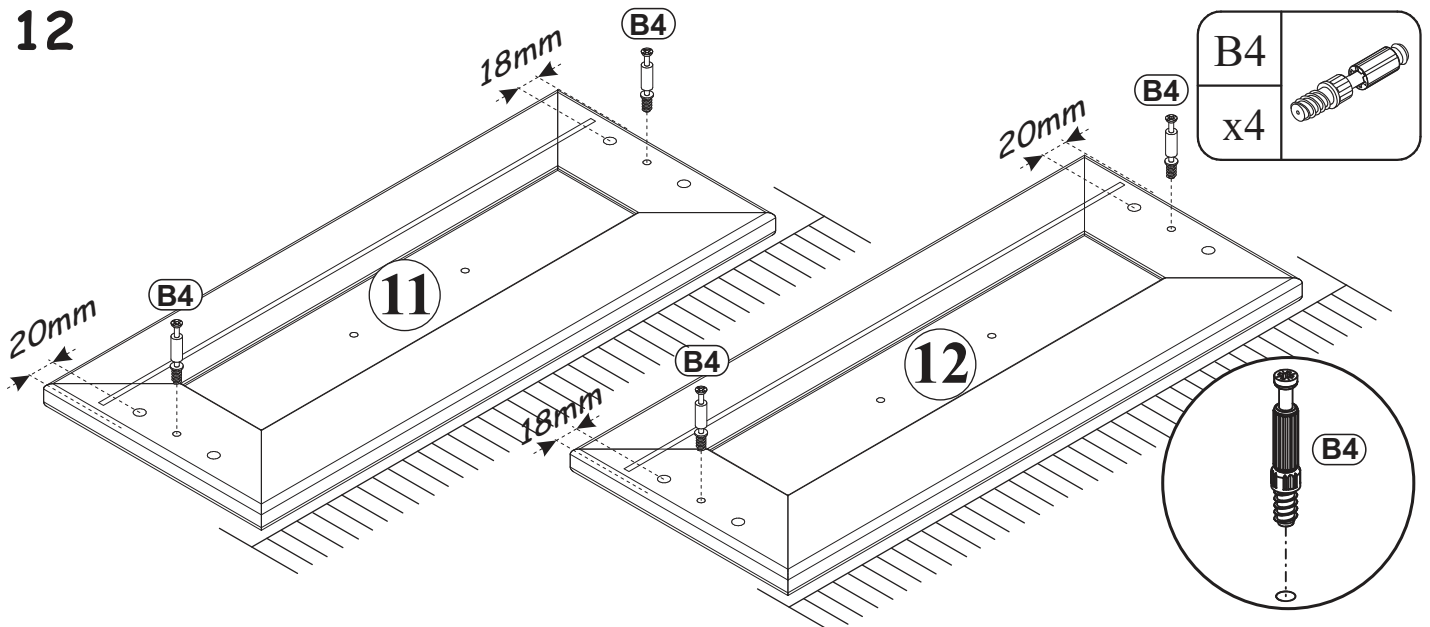
E17		Ø35	
x4	H=16	x8	USØ3,5x13



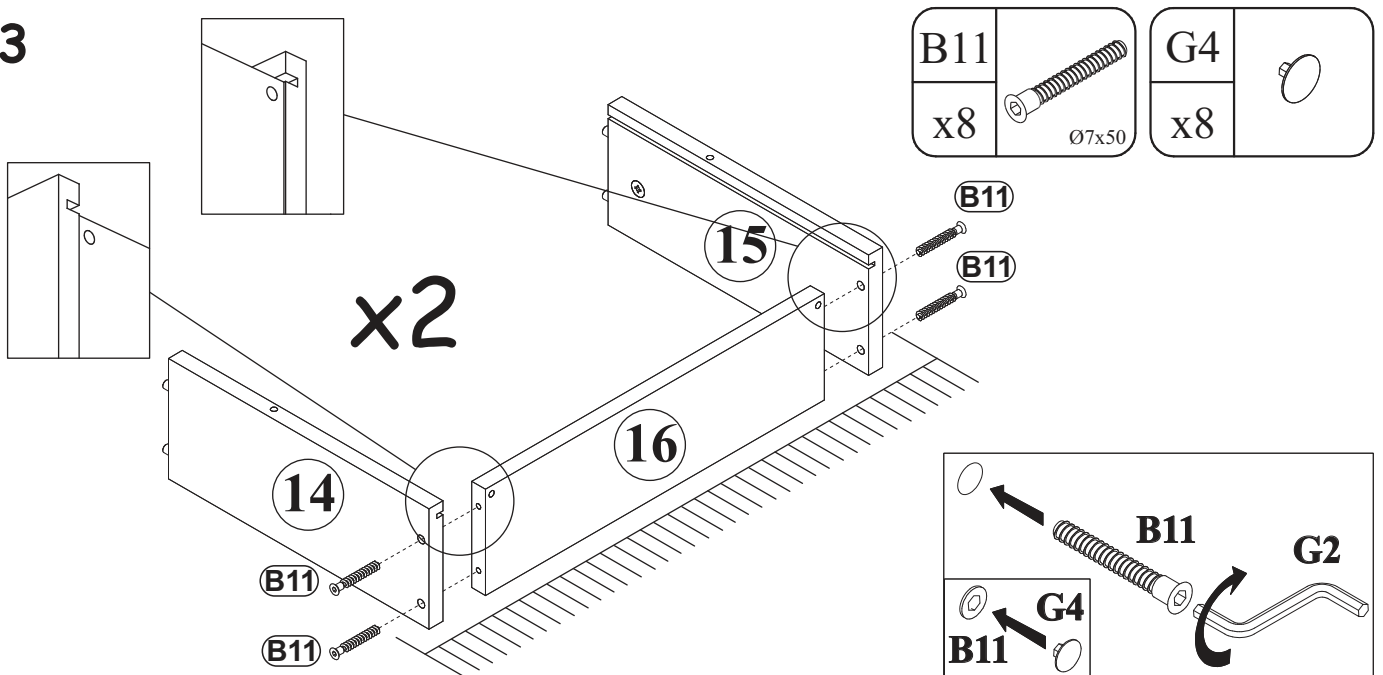
11



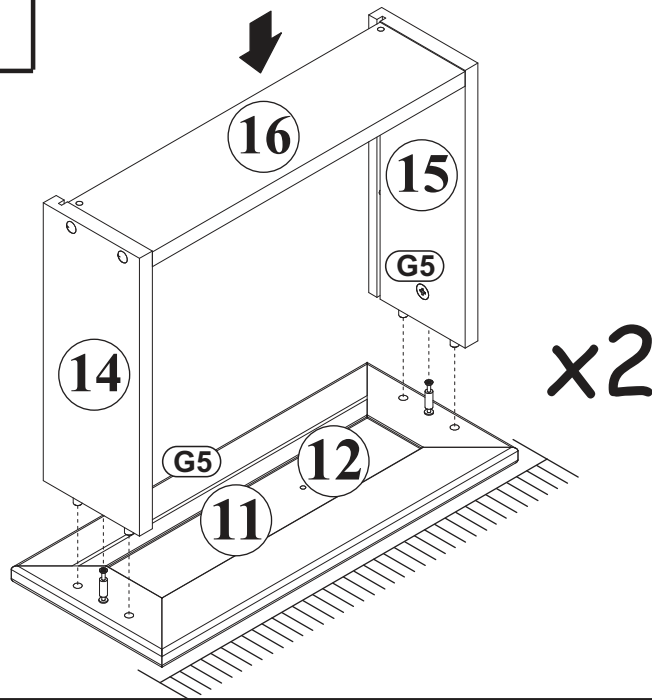
12




13

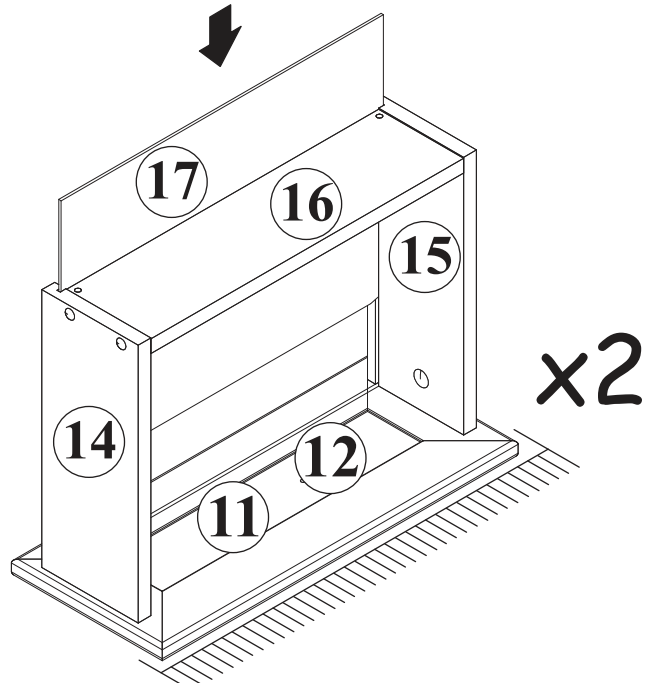


14



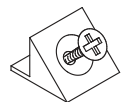
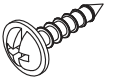
G5	
x4	

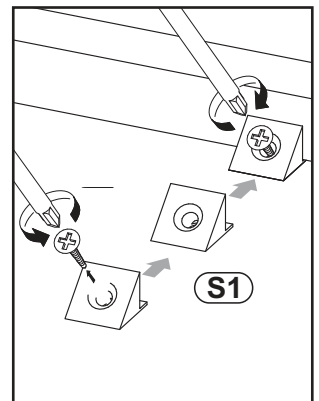
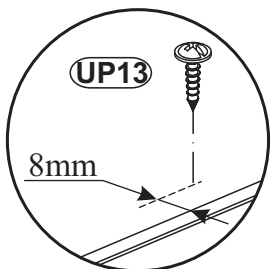
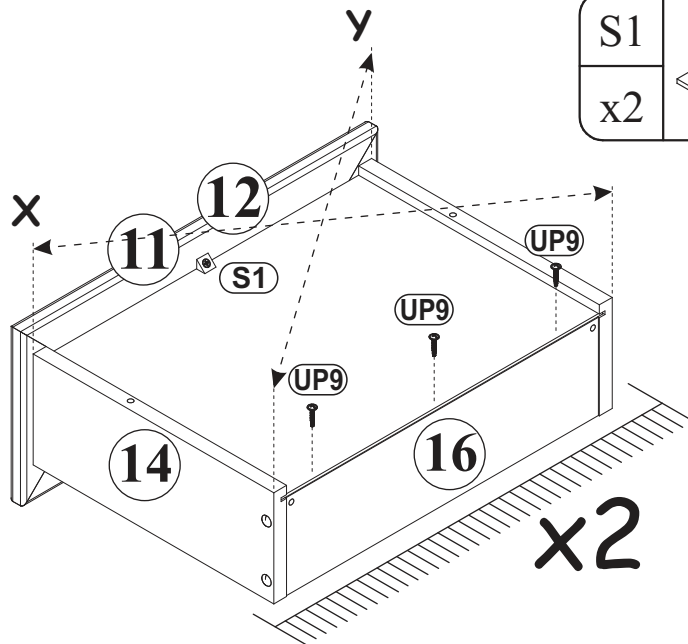
15

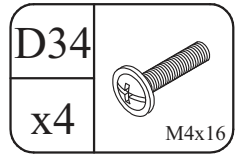
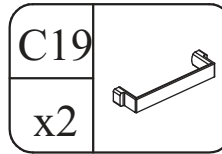


16

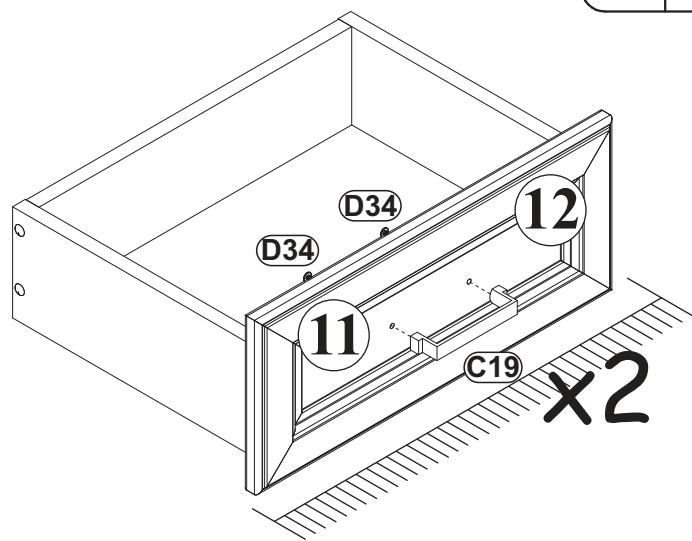
$x=y$ 90°

S1		UP9	
x2		x6	UPØ3,5x16

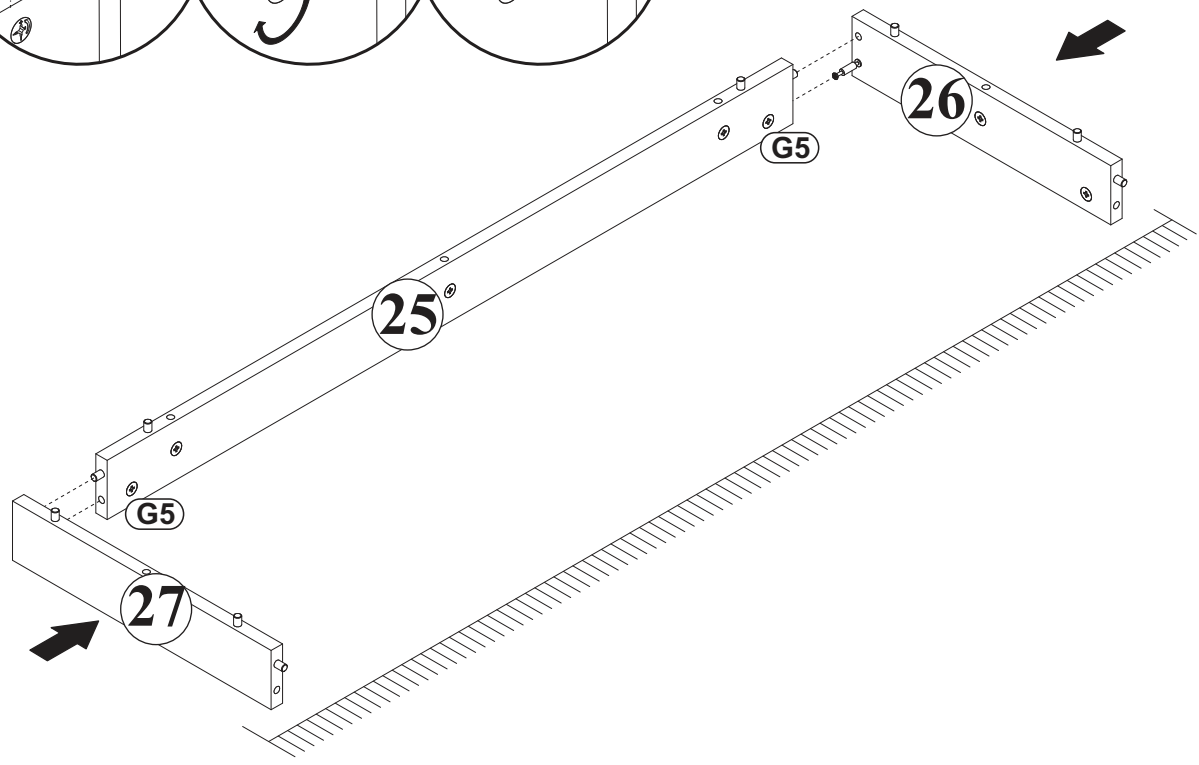
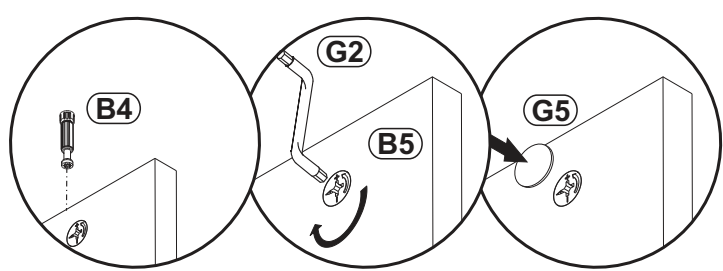
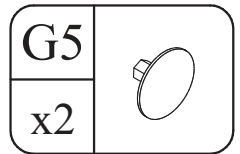
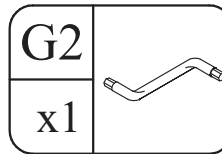






17



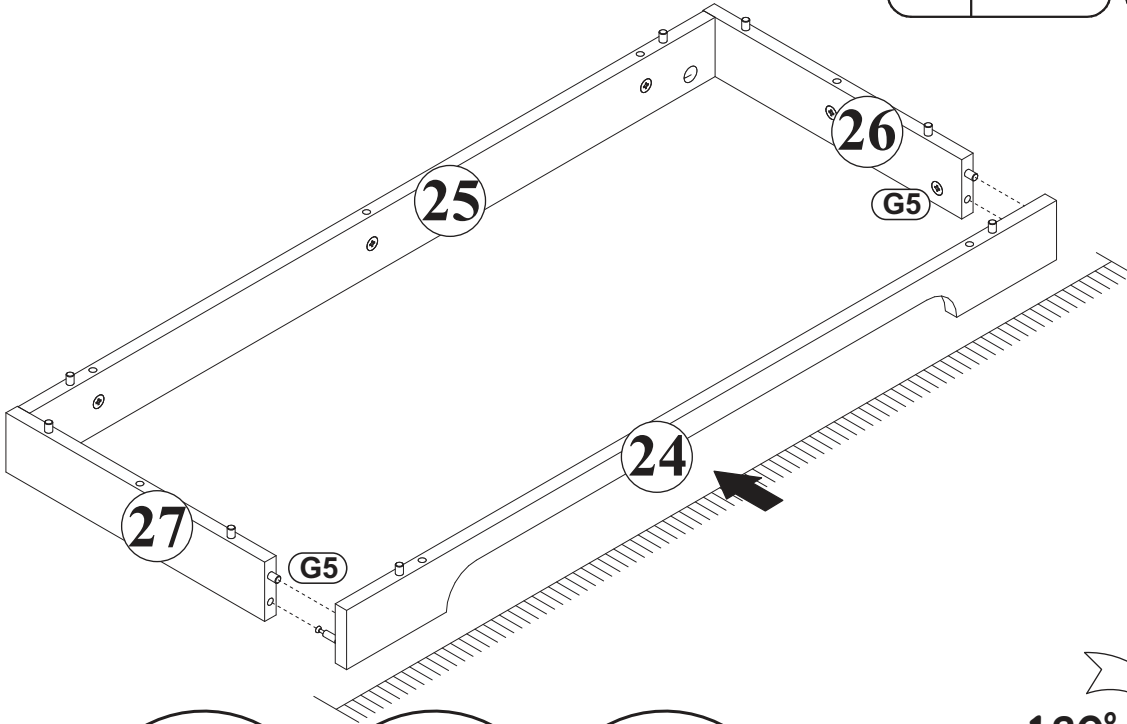
18



G2	
x1	

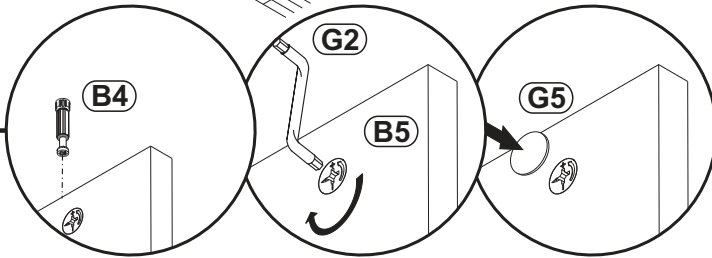
G5	
x2	


19




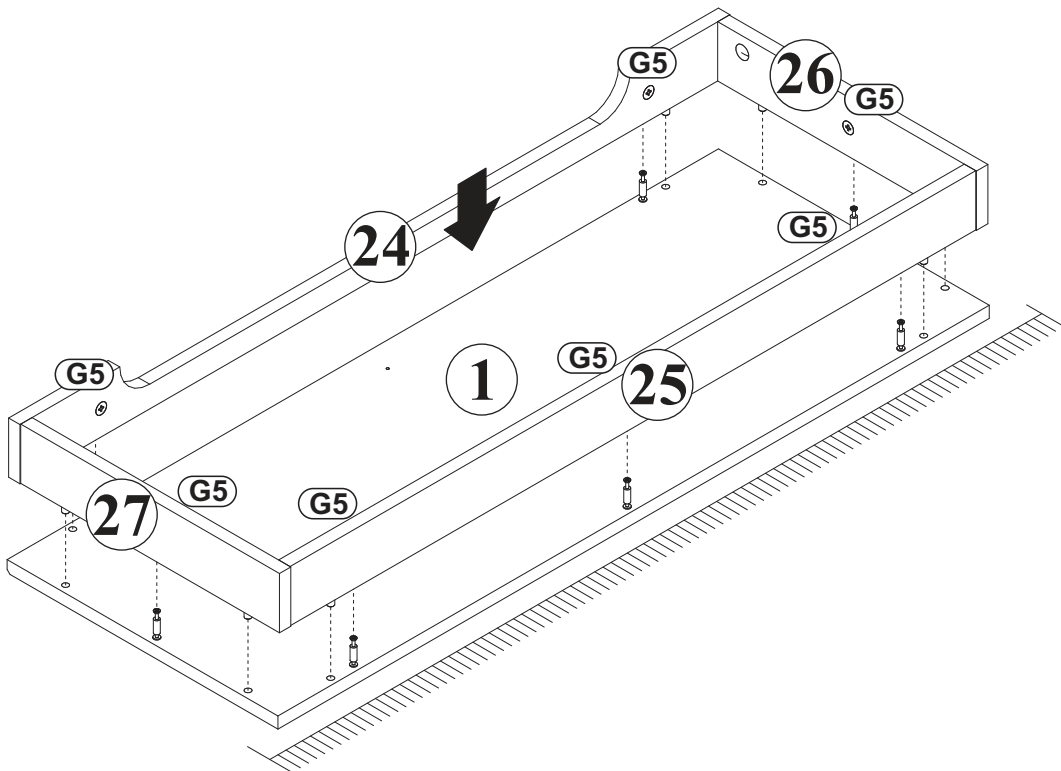
180°

20

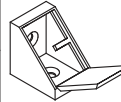



G2	
x1	


G5	
x7	

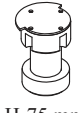


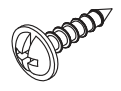
21

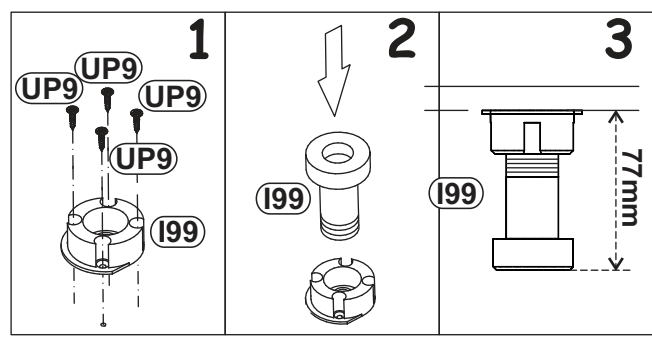
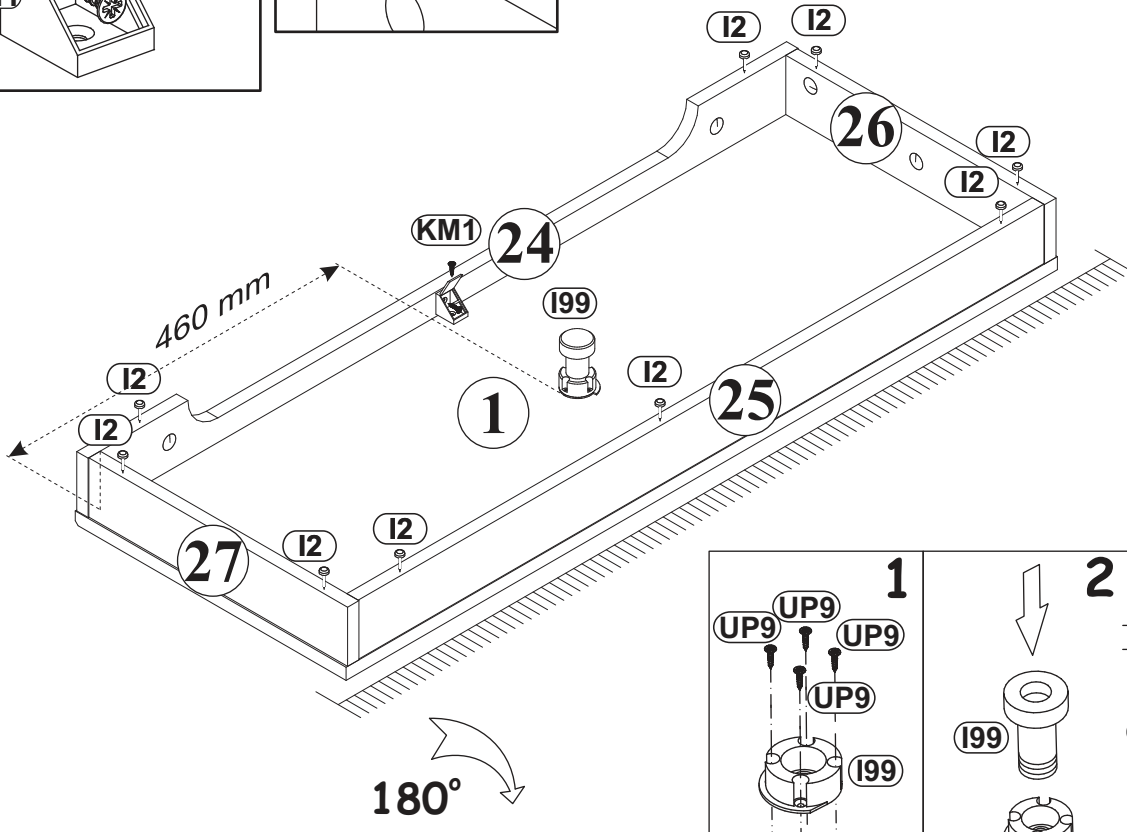
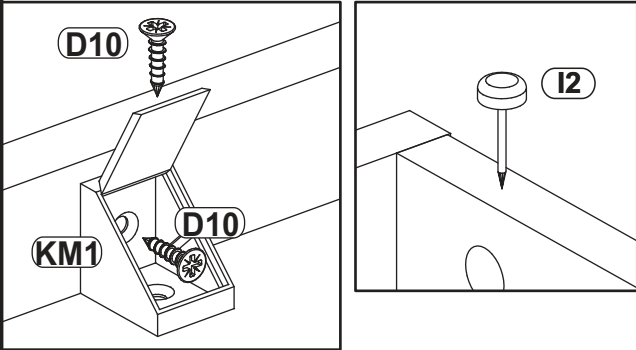
KM1	
x1	

D10	
x2	USØ3,5x13

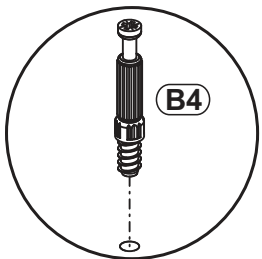
I2	
x9	

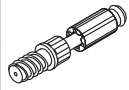
I99	
x1	H-75 mm.

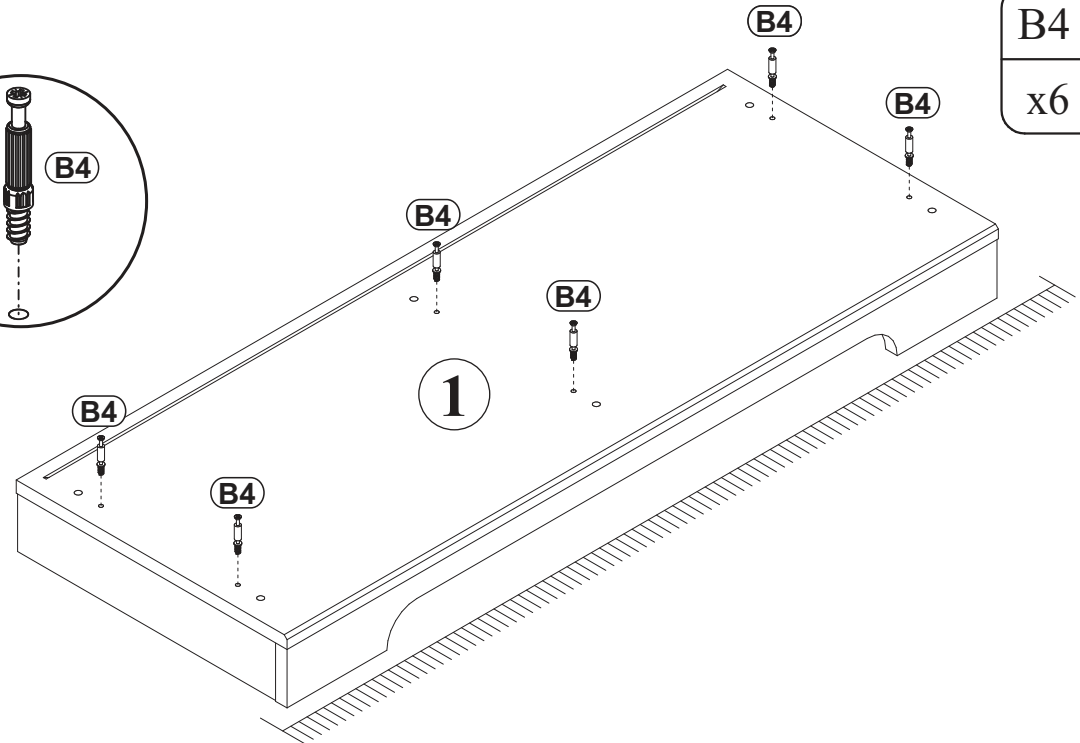
UP9	
x4	UPØ3,5x16



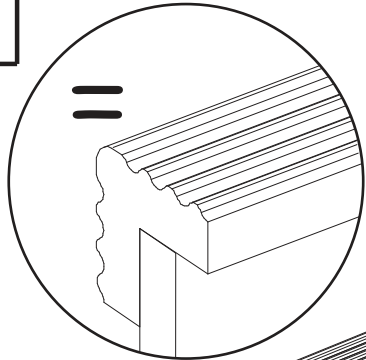
22



B4	
x6	



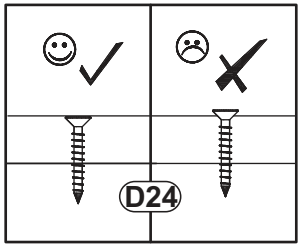
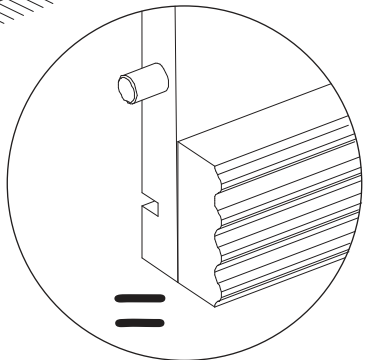
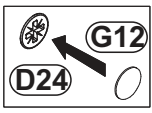
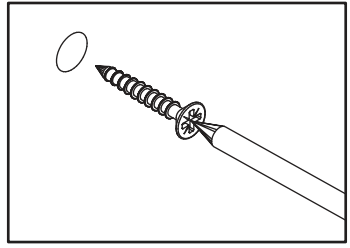
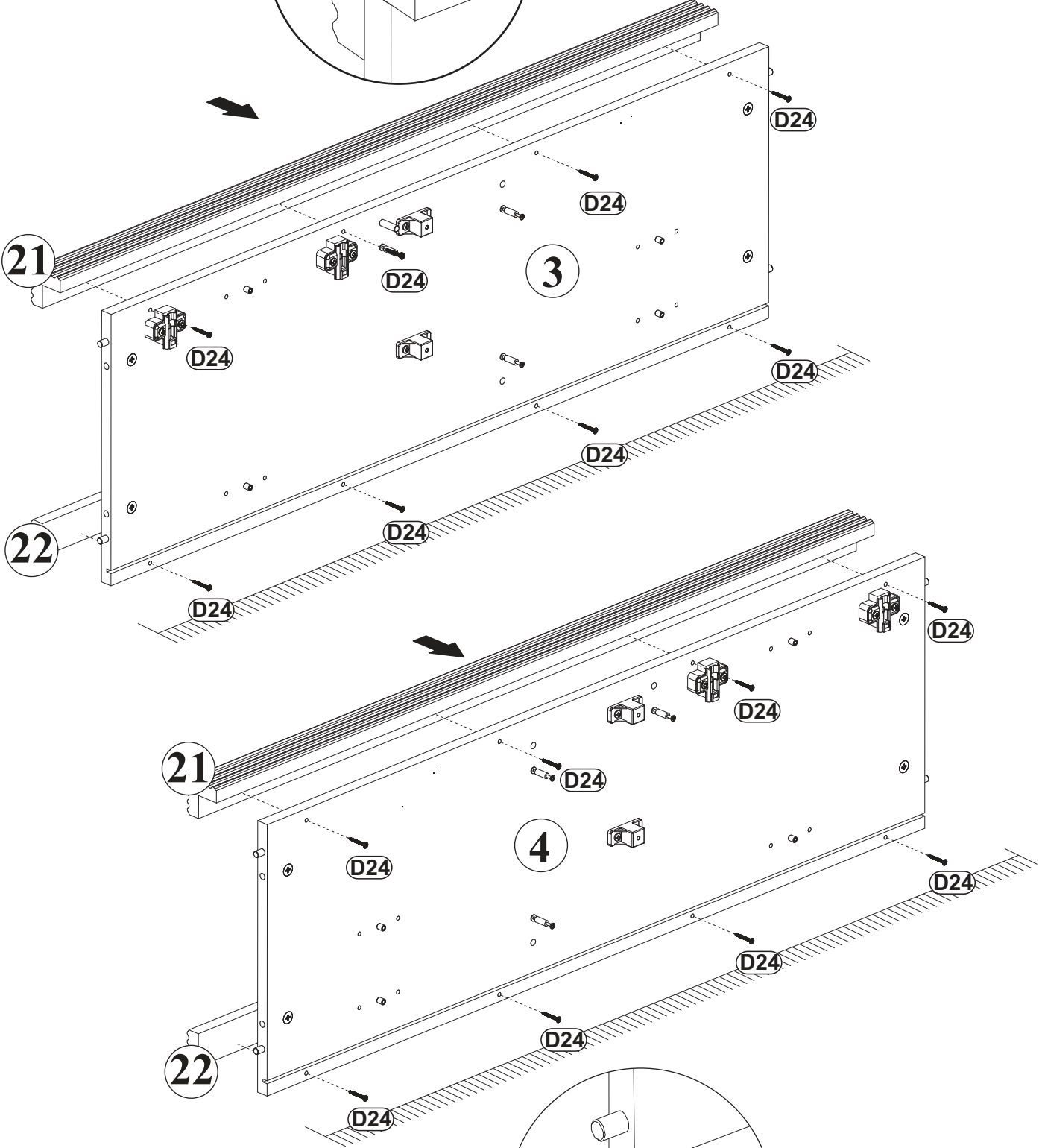
23





G12
x16

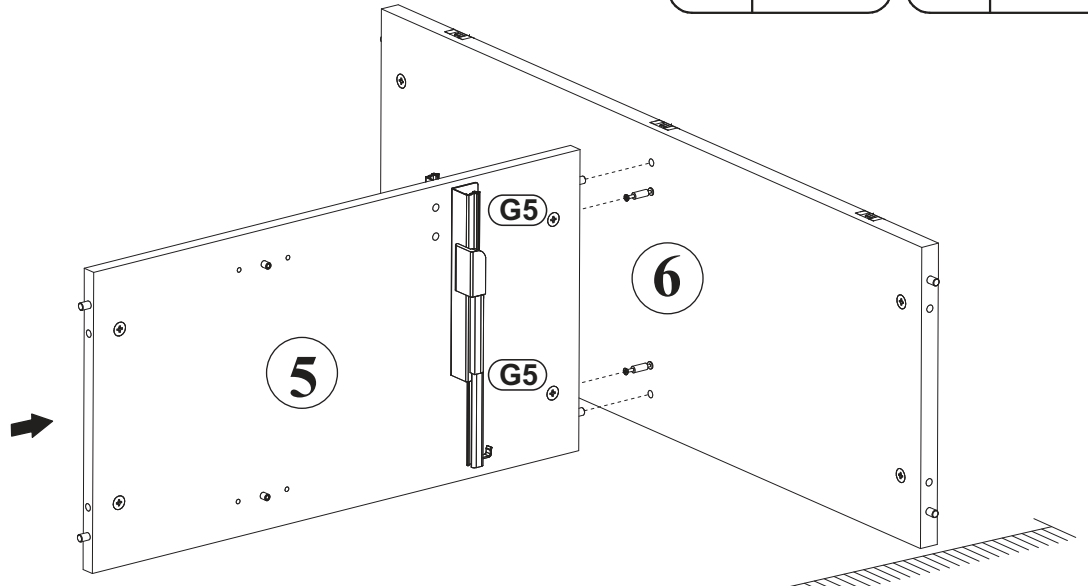


D24
x16

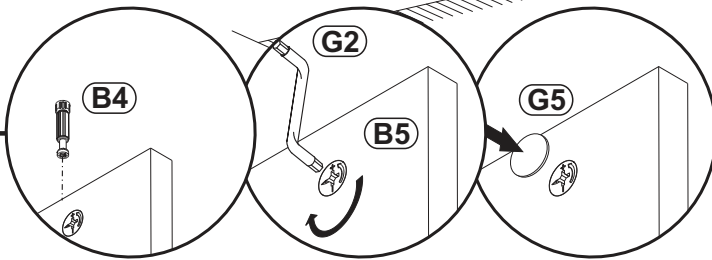




24

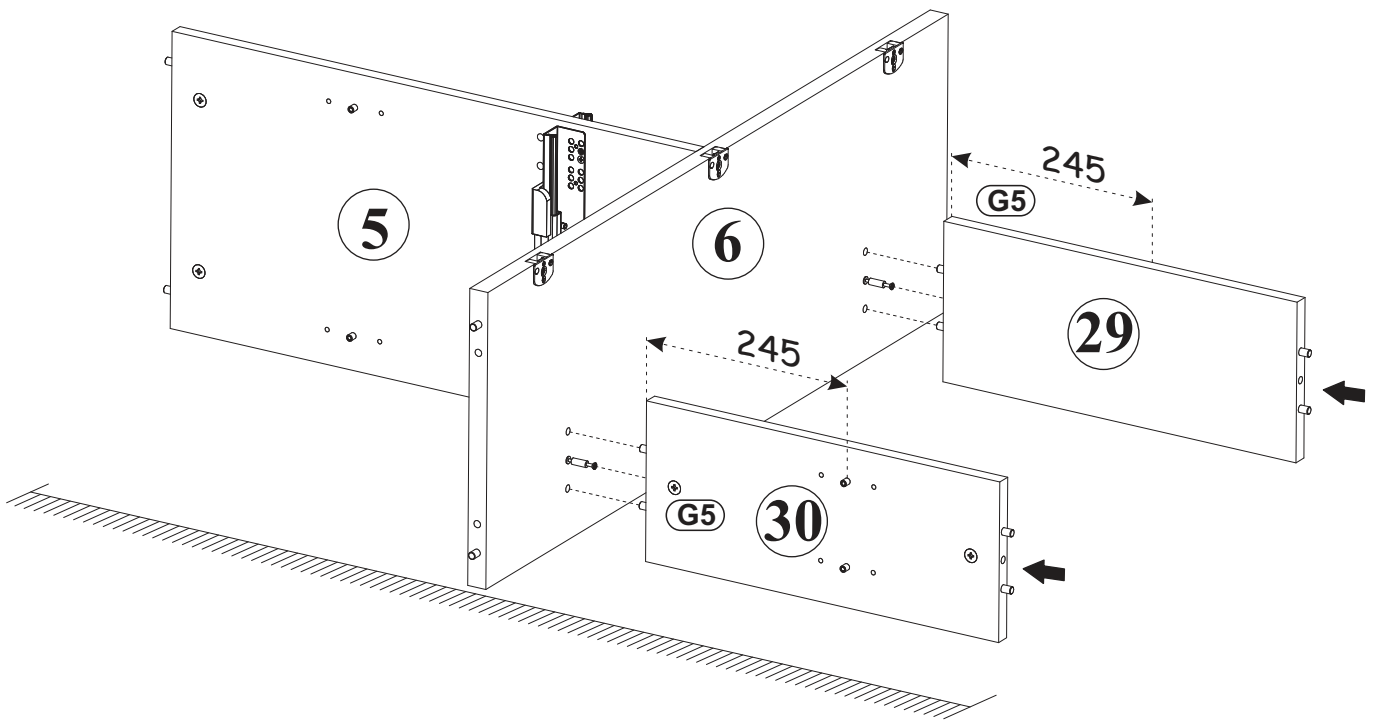
G2		G5	
x1		x2	



25

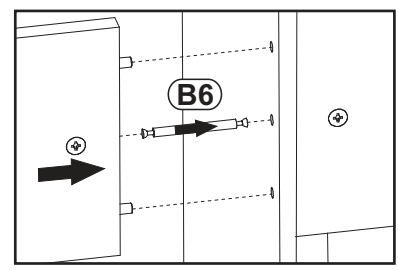
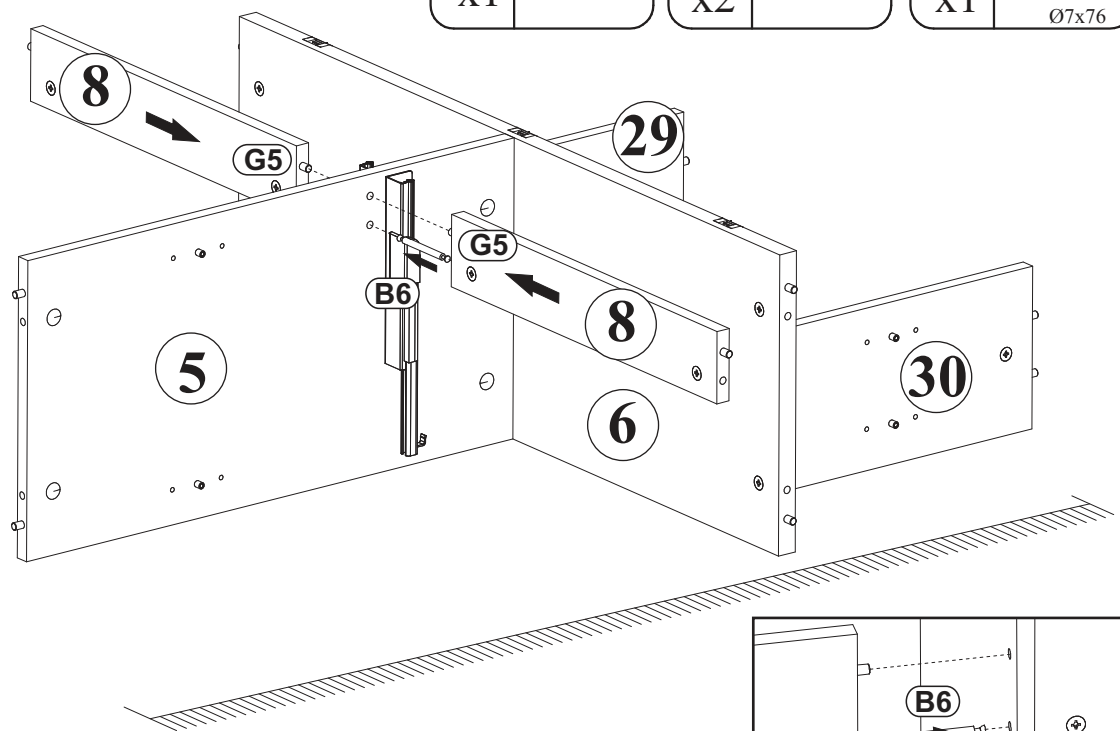


G2		G5	
x1		x2	

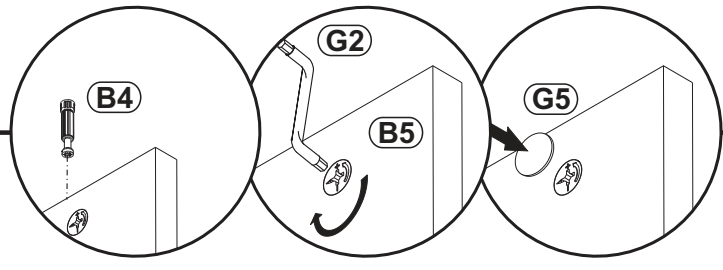


G2		G5		B6	
x1		x2		x1	Ø7x76

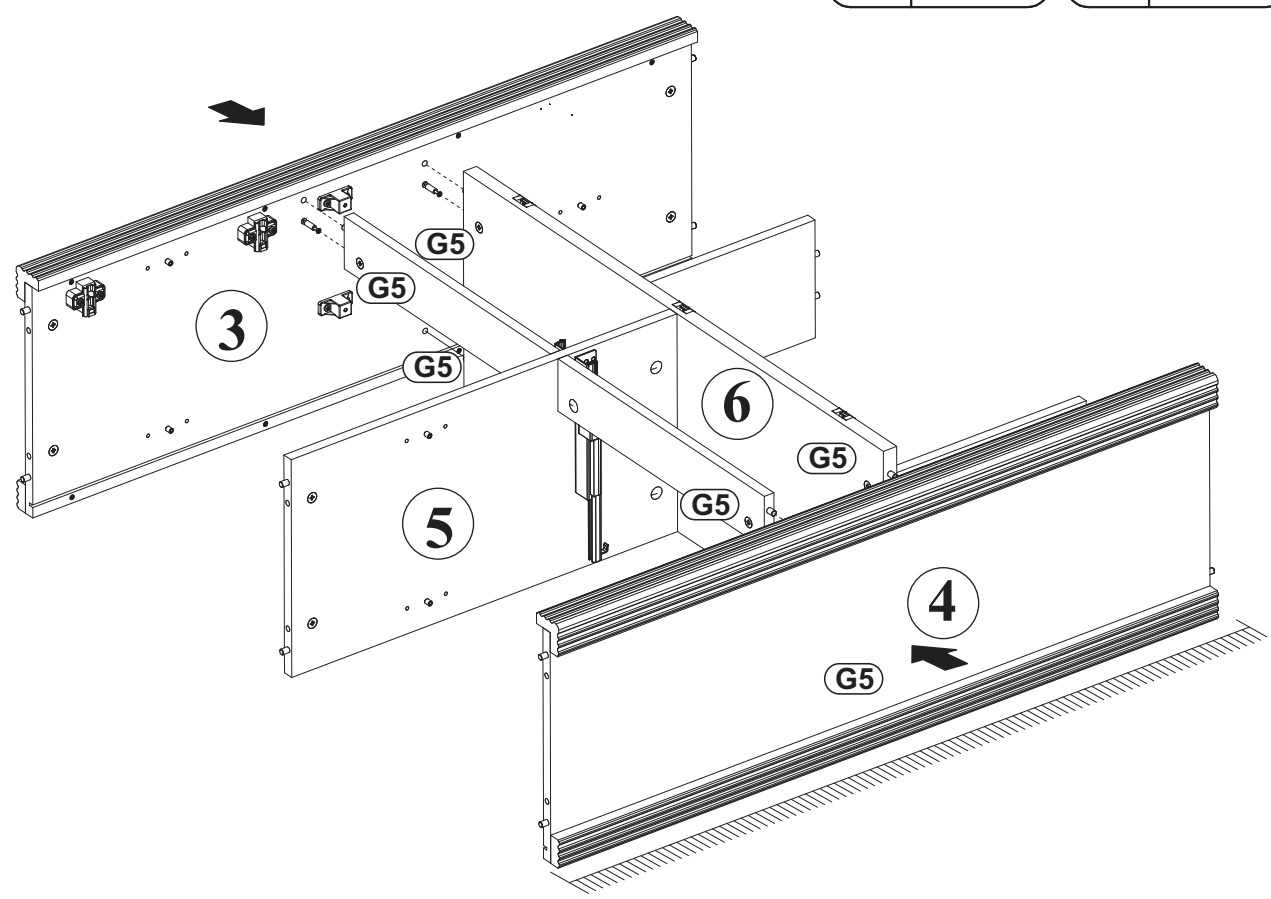
26





27

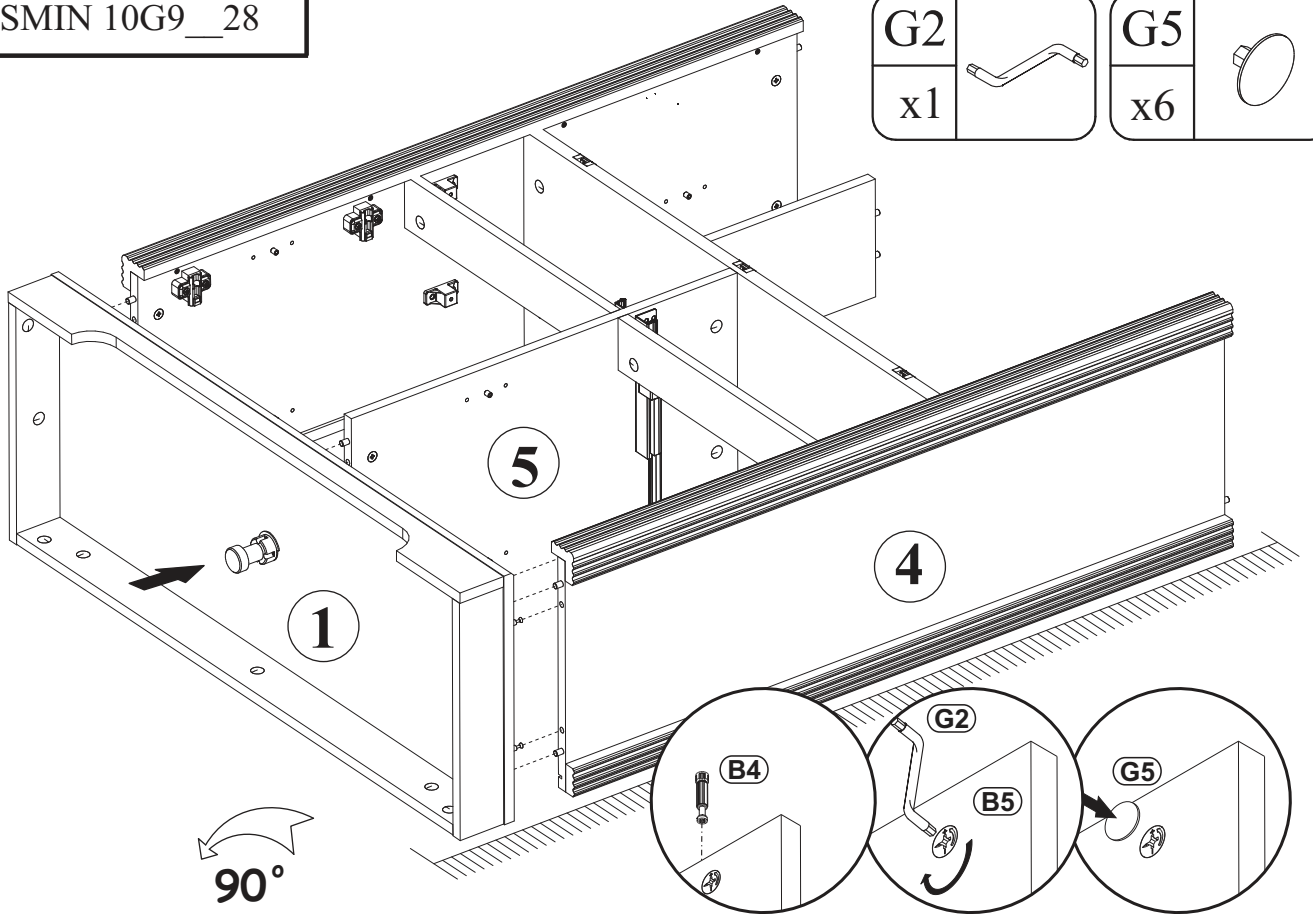


G2		G5	
x1		x6	

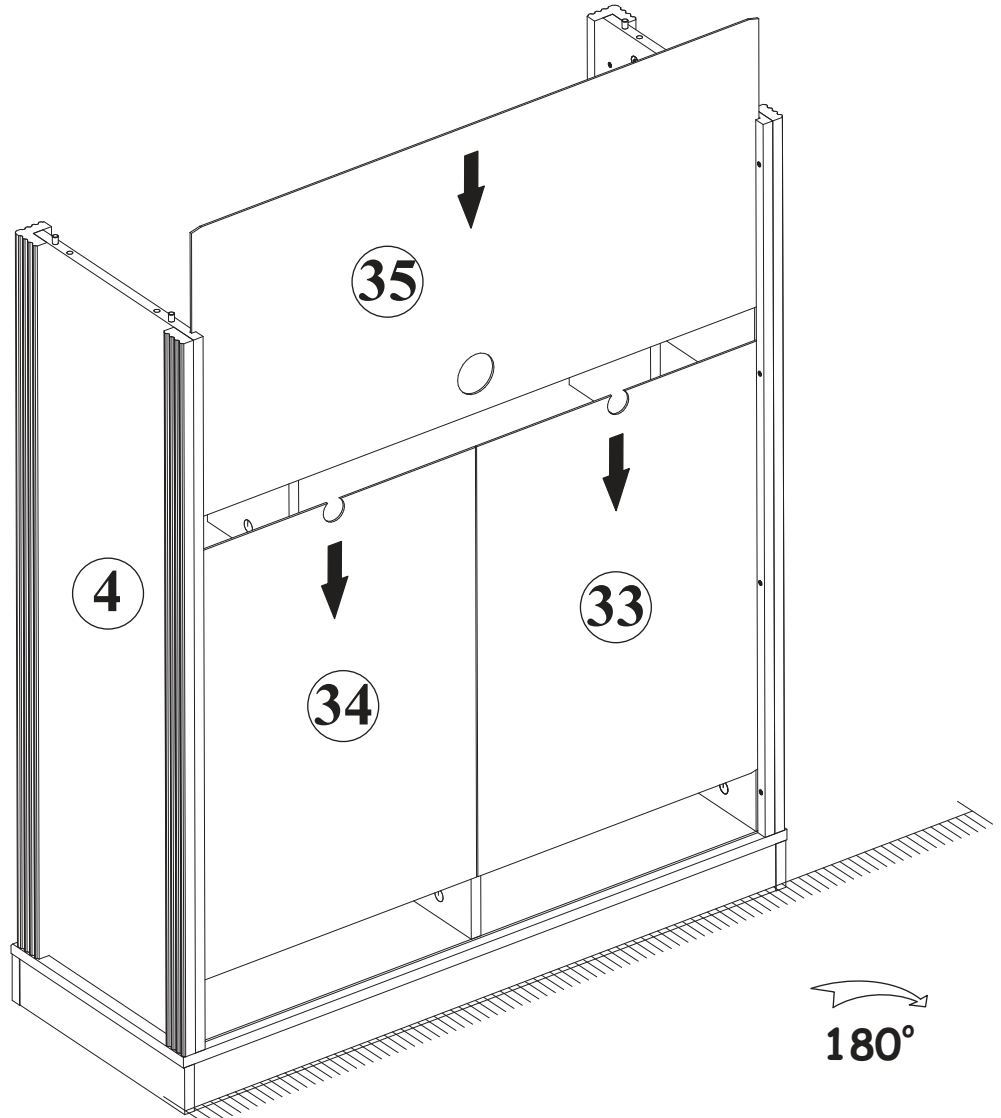


28

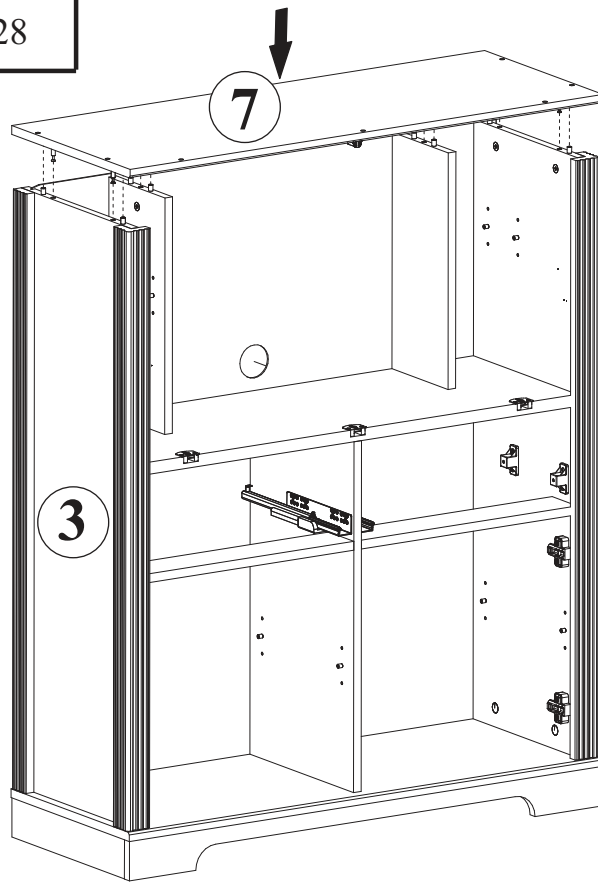
G2		G5	
x1		x6	



29

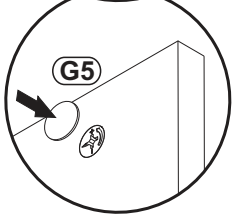
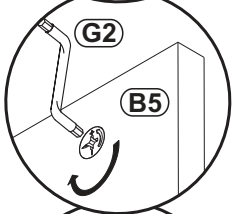
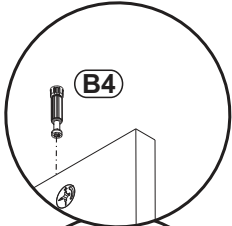


30



G2	
x1	

G5	
x6	



90°

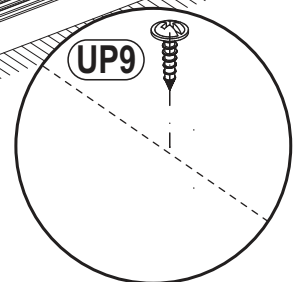
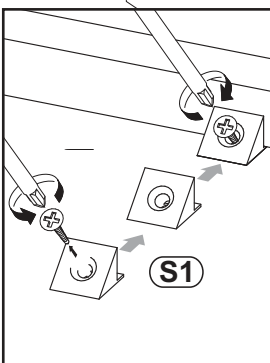
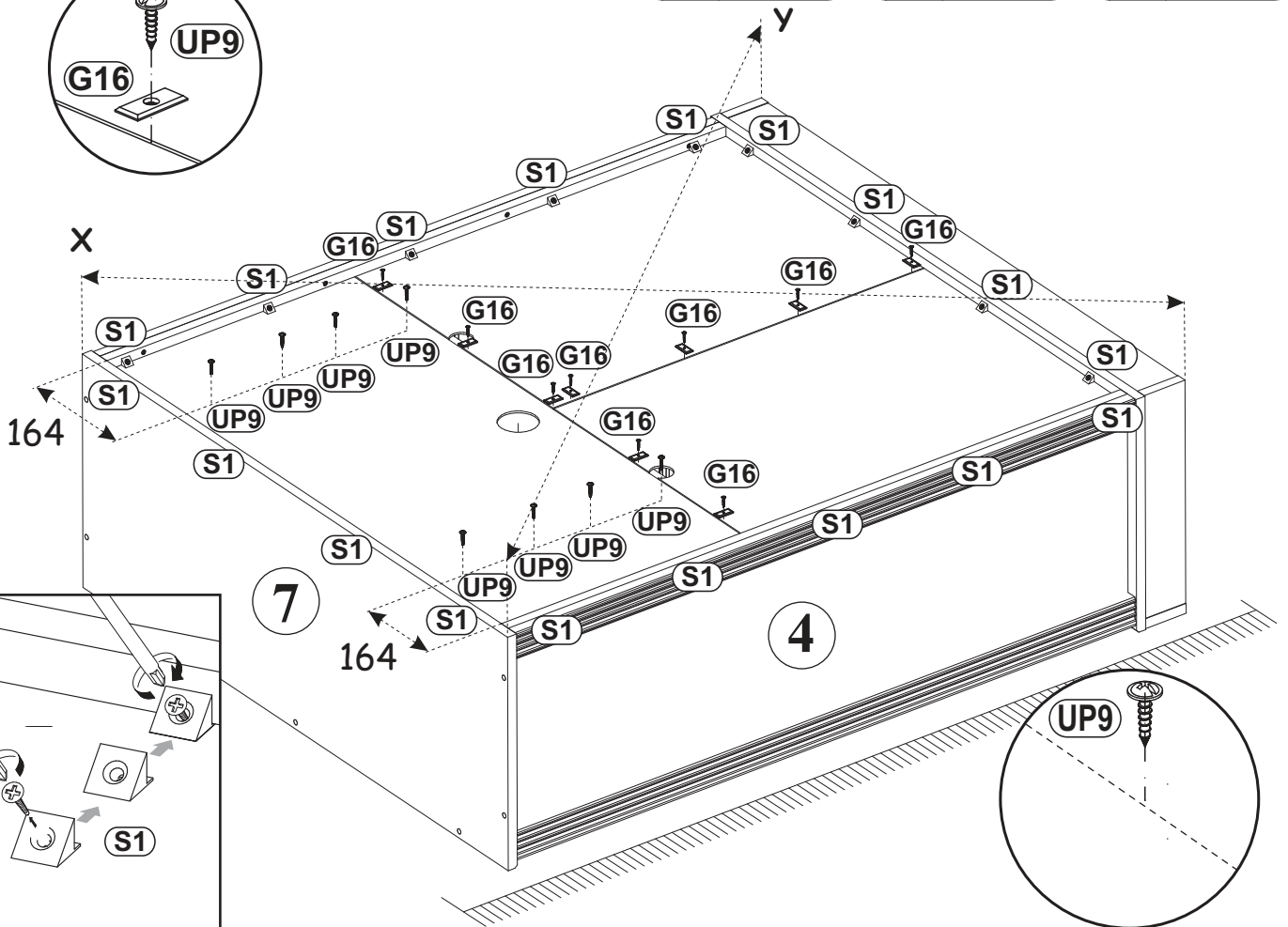
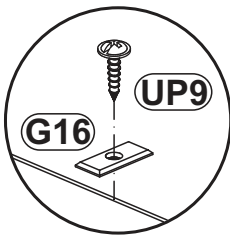
31

X=Y

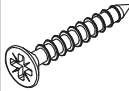
G16	
x9	


UP9	
x17	UPØ3,5x16

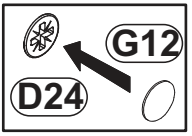
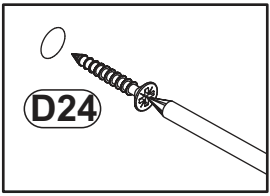
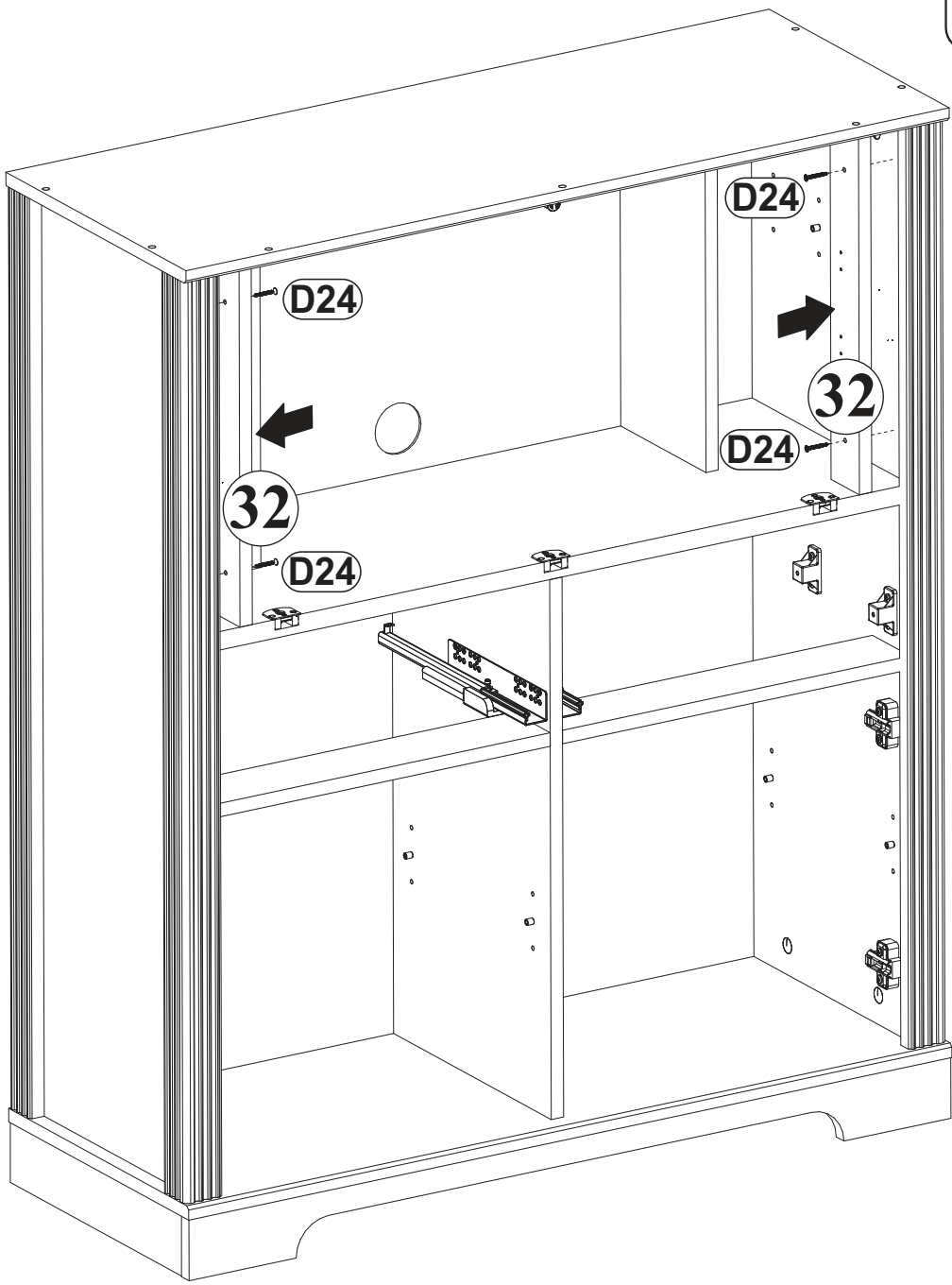
S1	
x18	









32




D24	
x4	US04x30

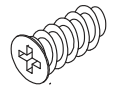

G12	
x4	Ø14

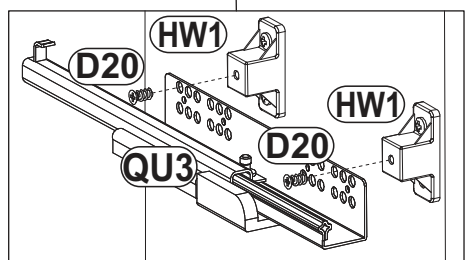
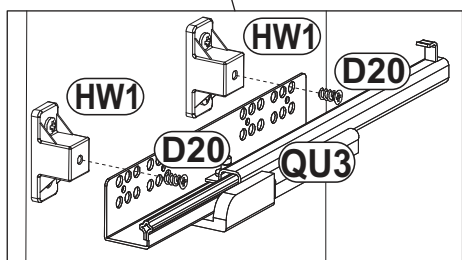
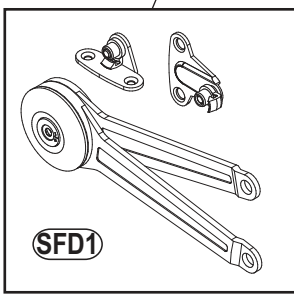
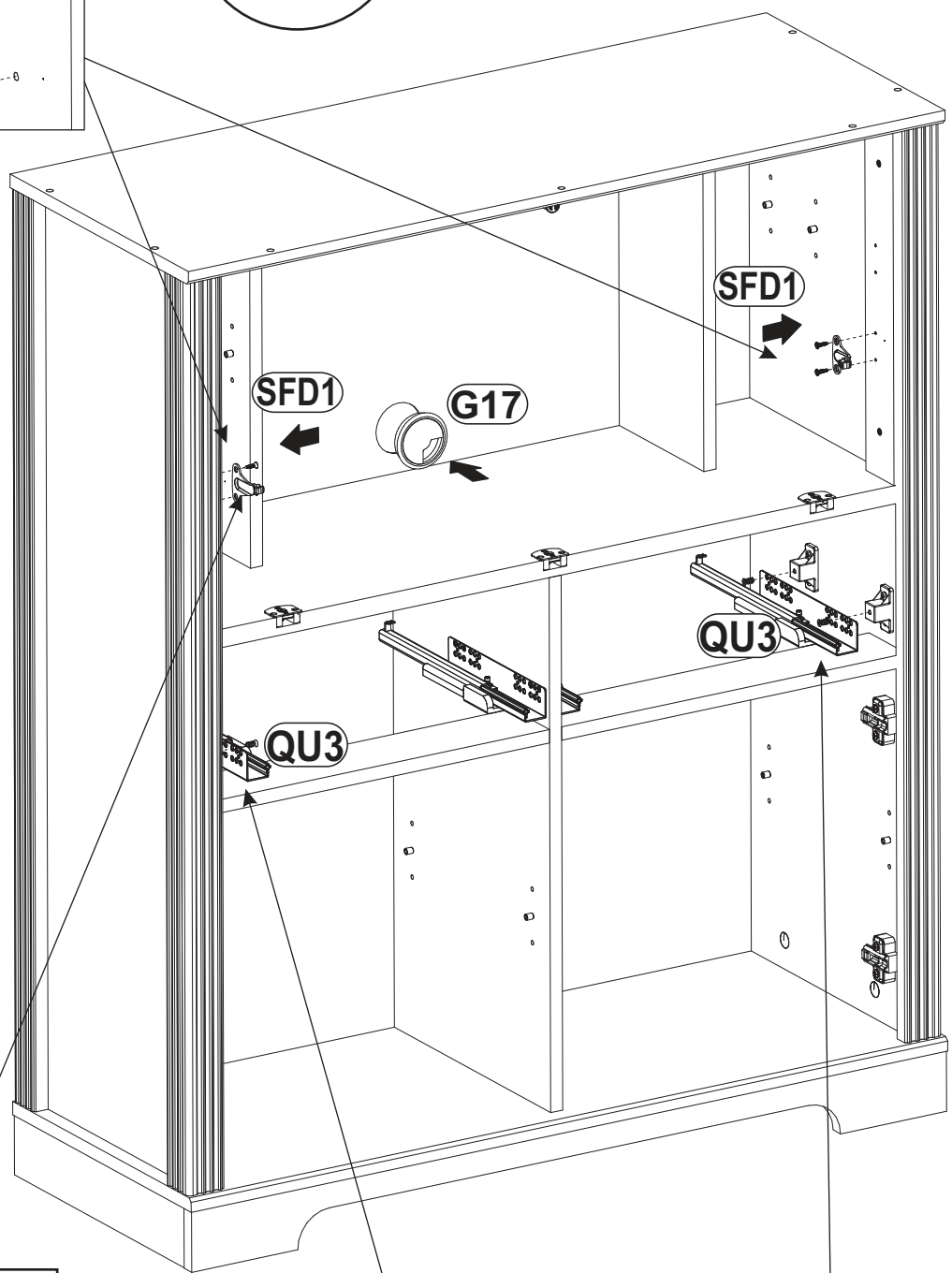
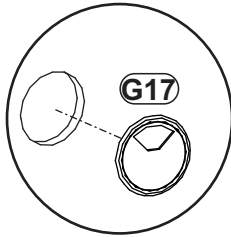
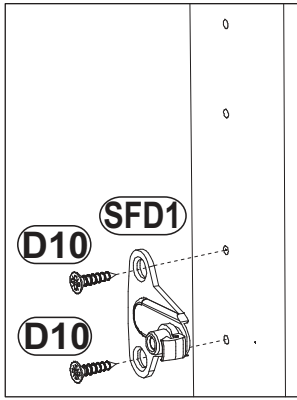


	
	
	
D24	



33

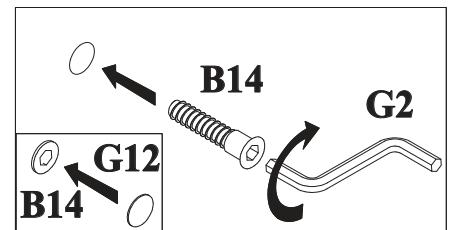
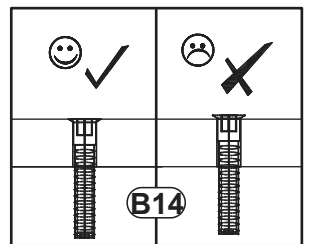
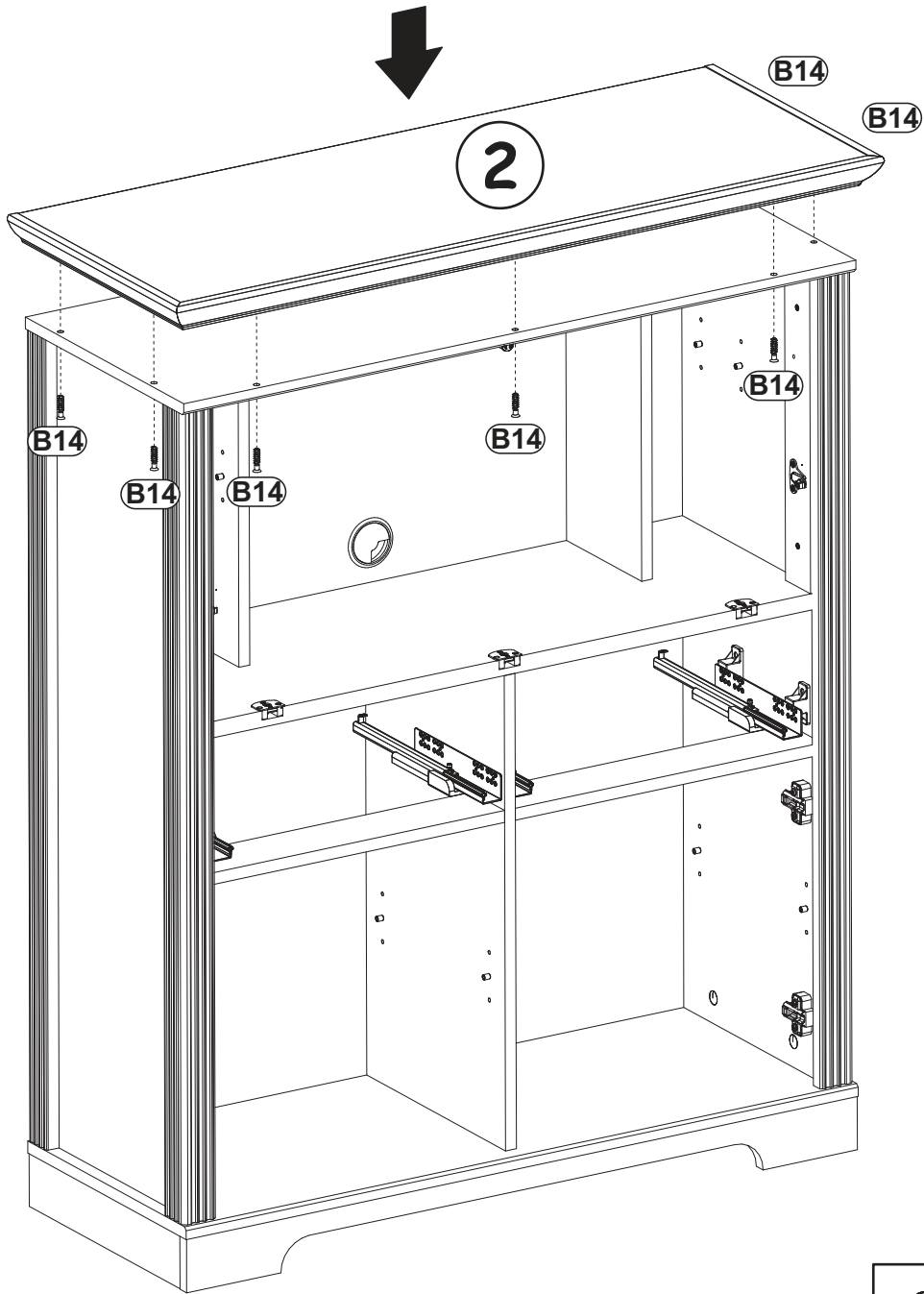
G17		D10		SFD1	
x1	Ø60x3	x4	USØ3,5x13	x2	

D20		QU3	
x4	ESØ6x9,5	x1	L-300mm



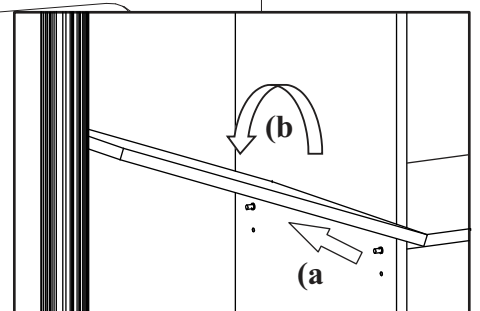
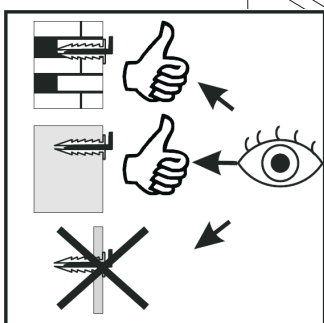
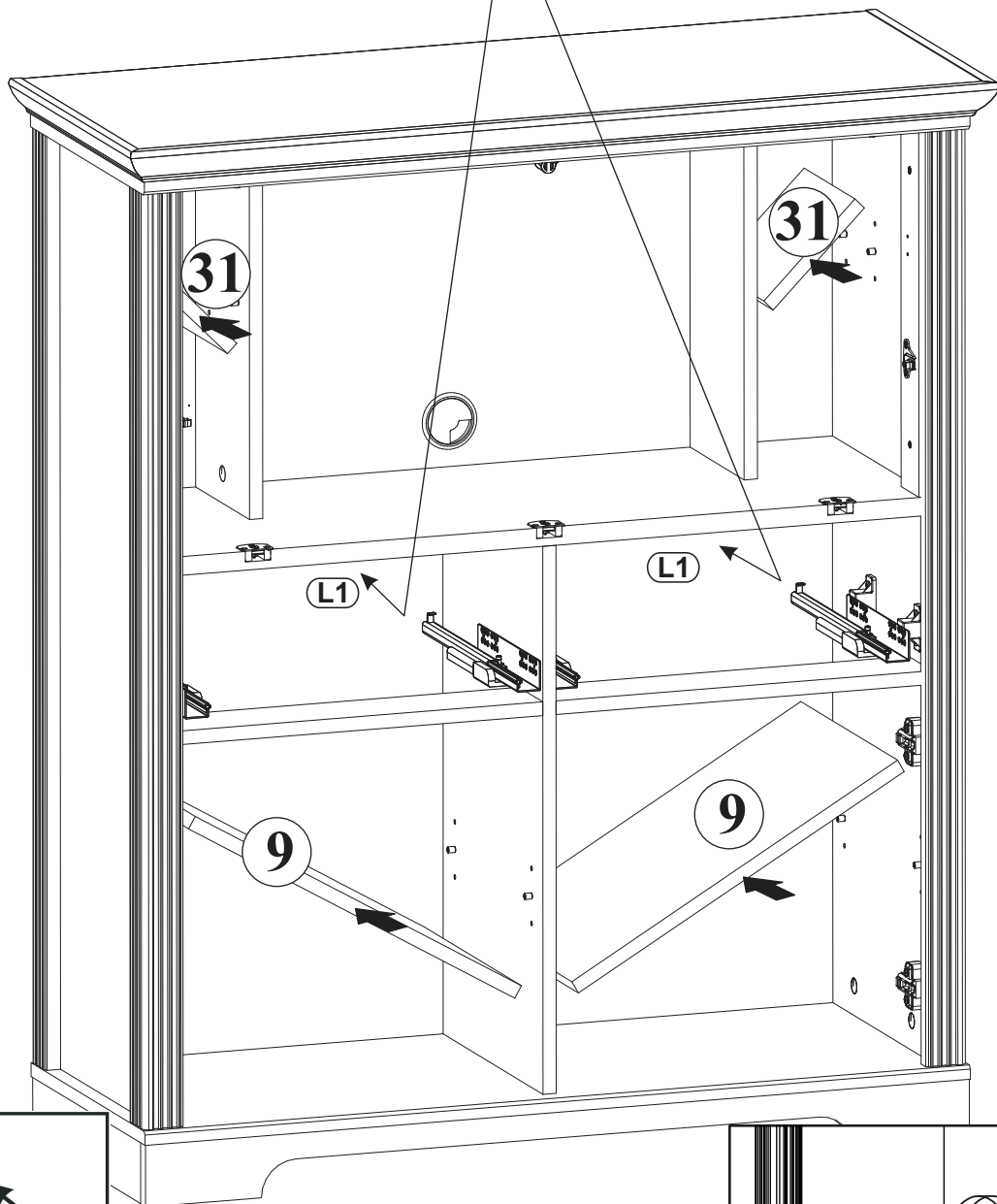
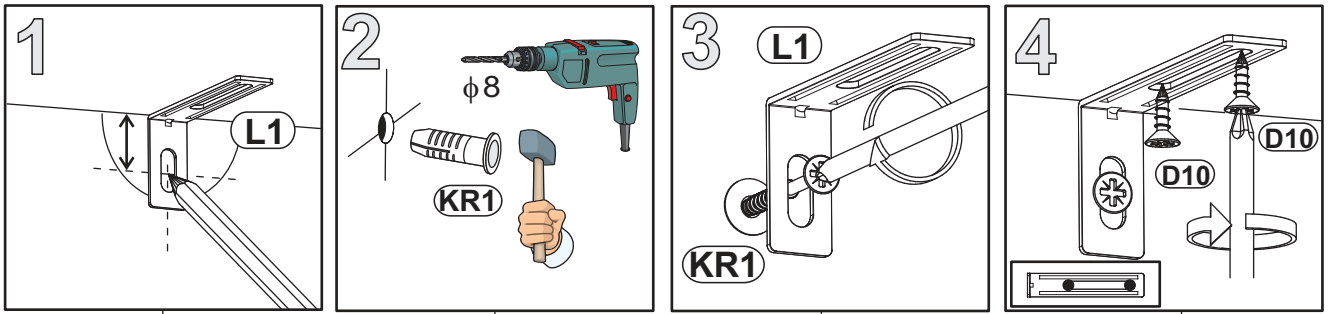
34

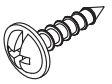
B14		G12	
x7	Ø7x30	x7	Ø14



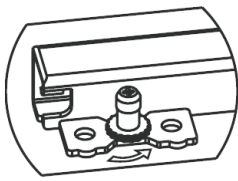
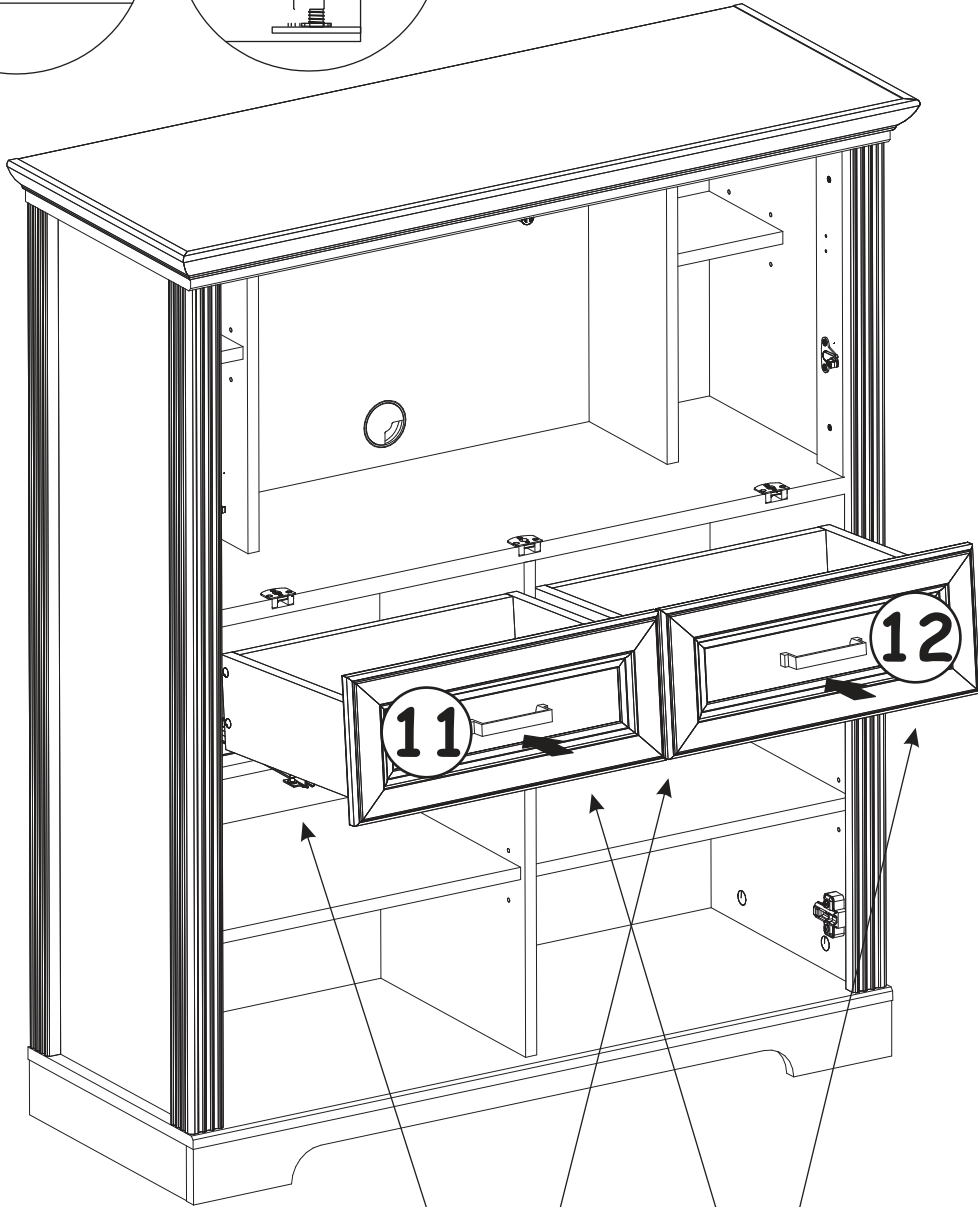
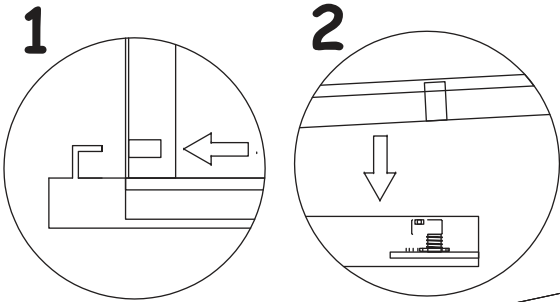
35

L1		KR1		D10	
x2		x2		x4	USØ3,5x13

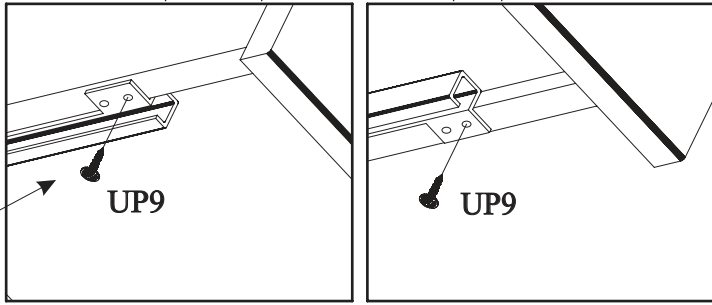


UP9	 UPØ3,5x16
x4	

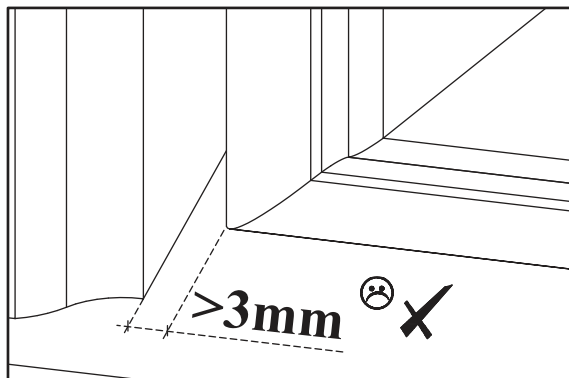
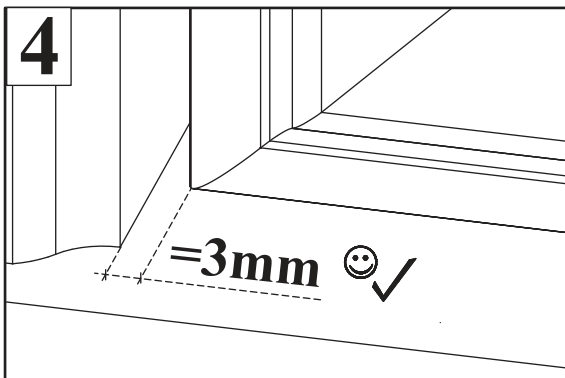
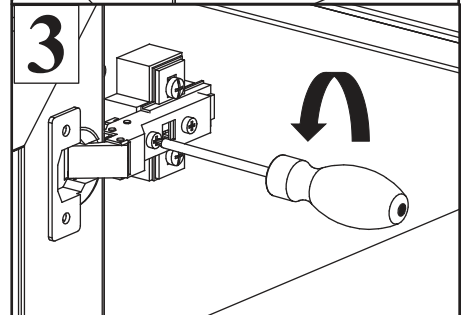
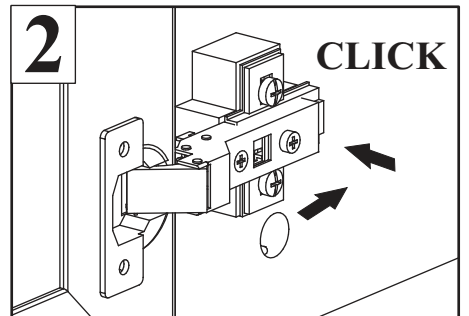
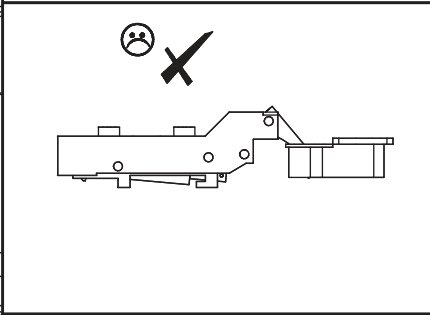
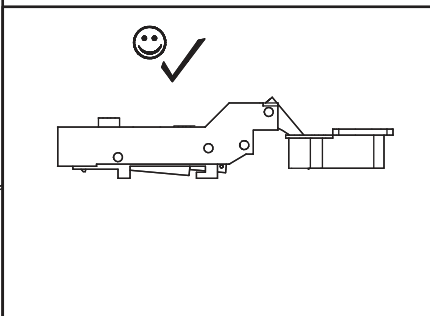
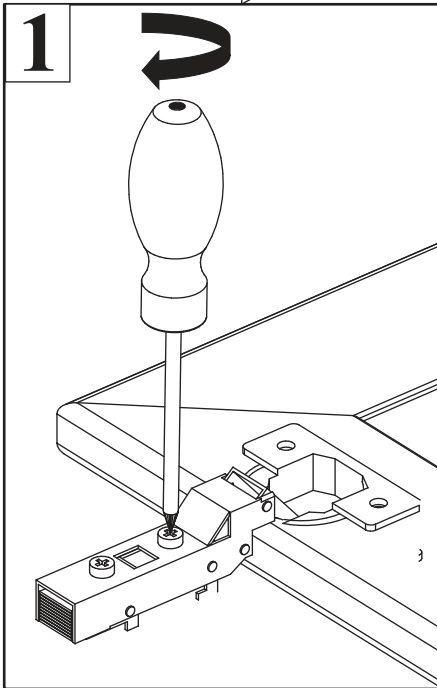
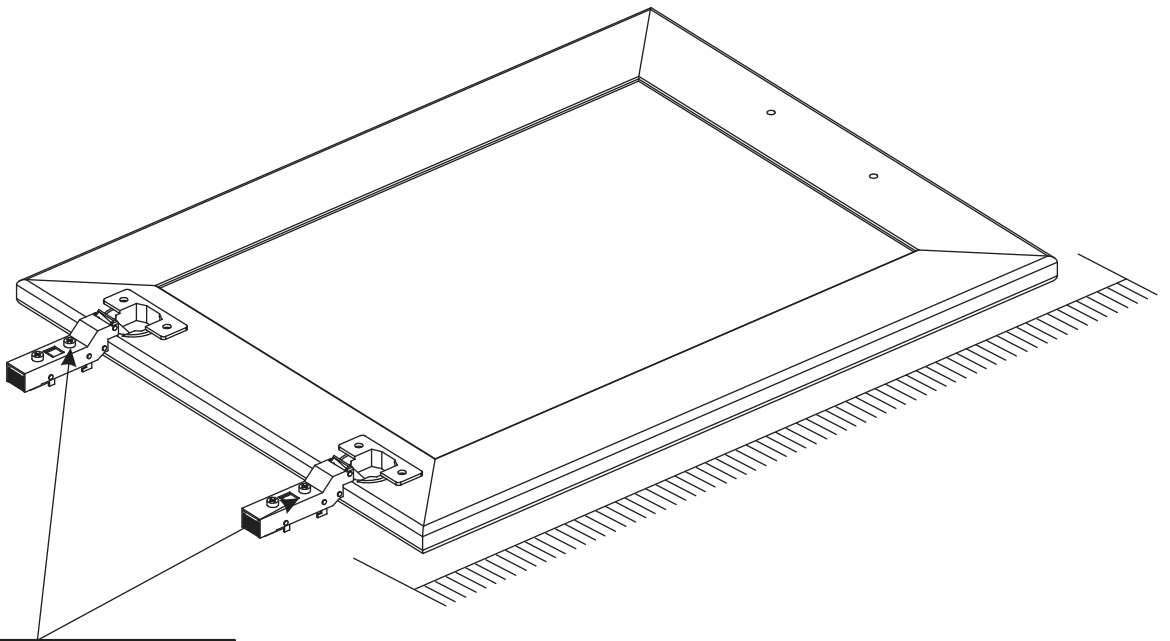
36



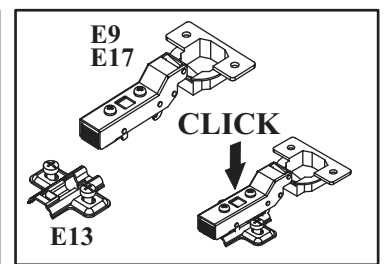
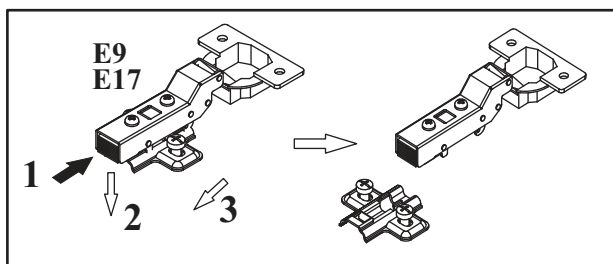
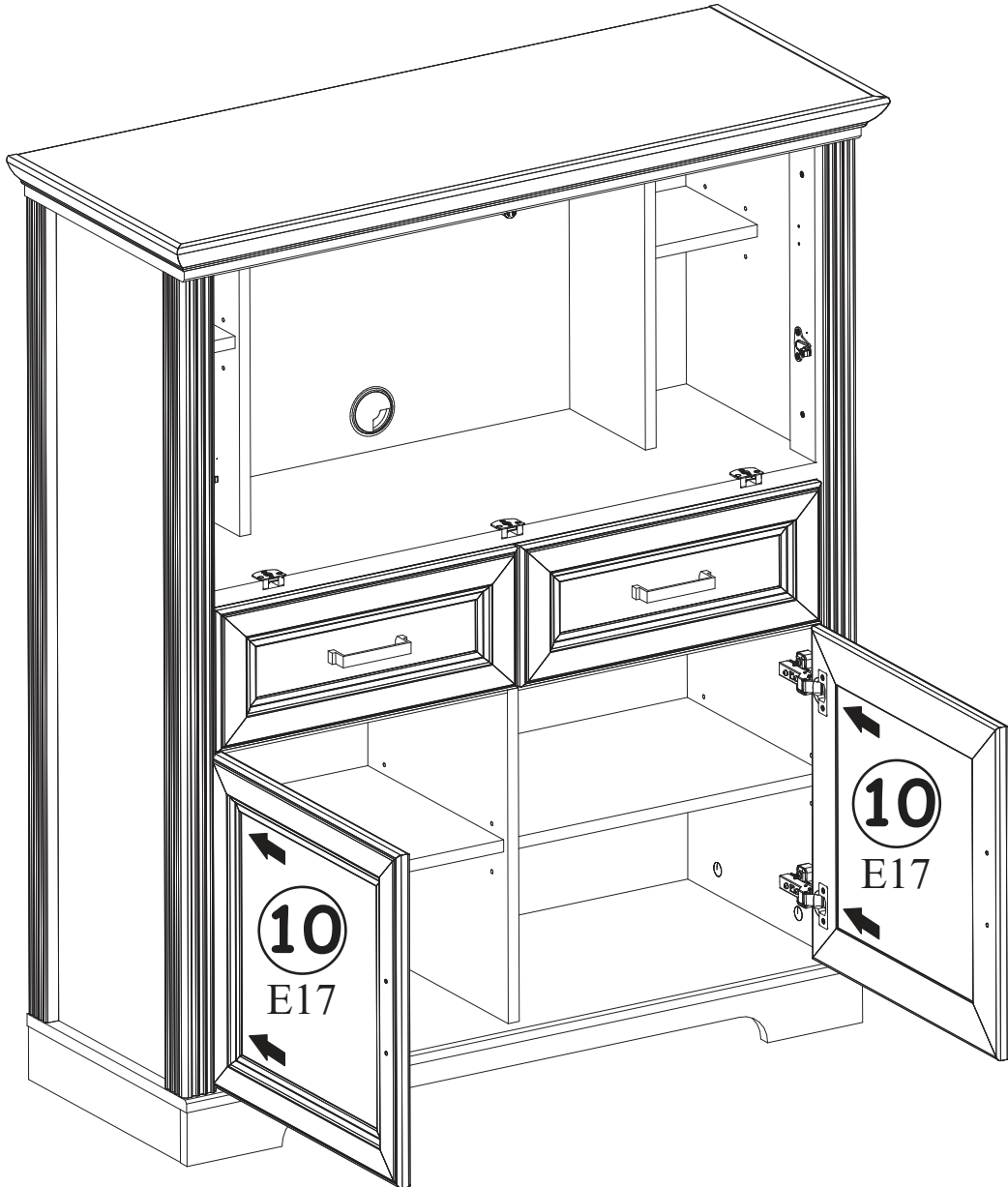
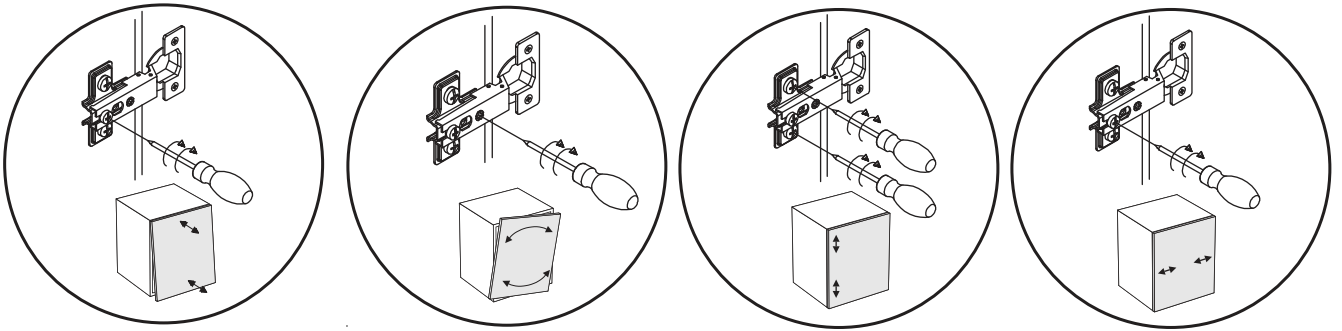
↑ +4 mm

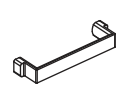
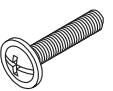


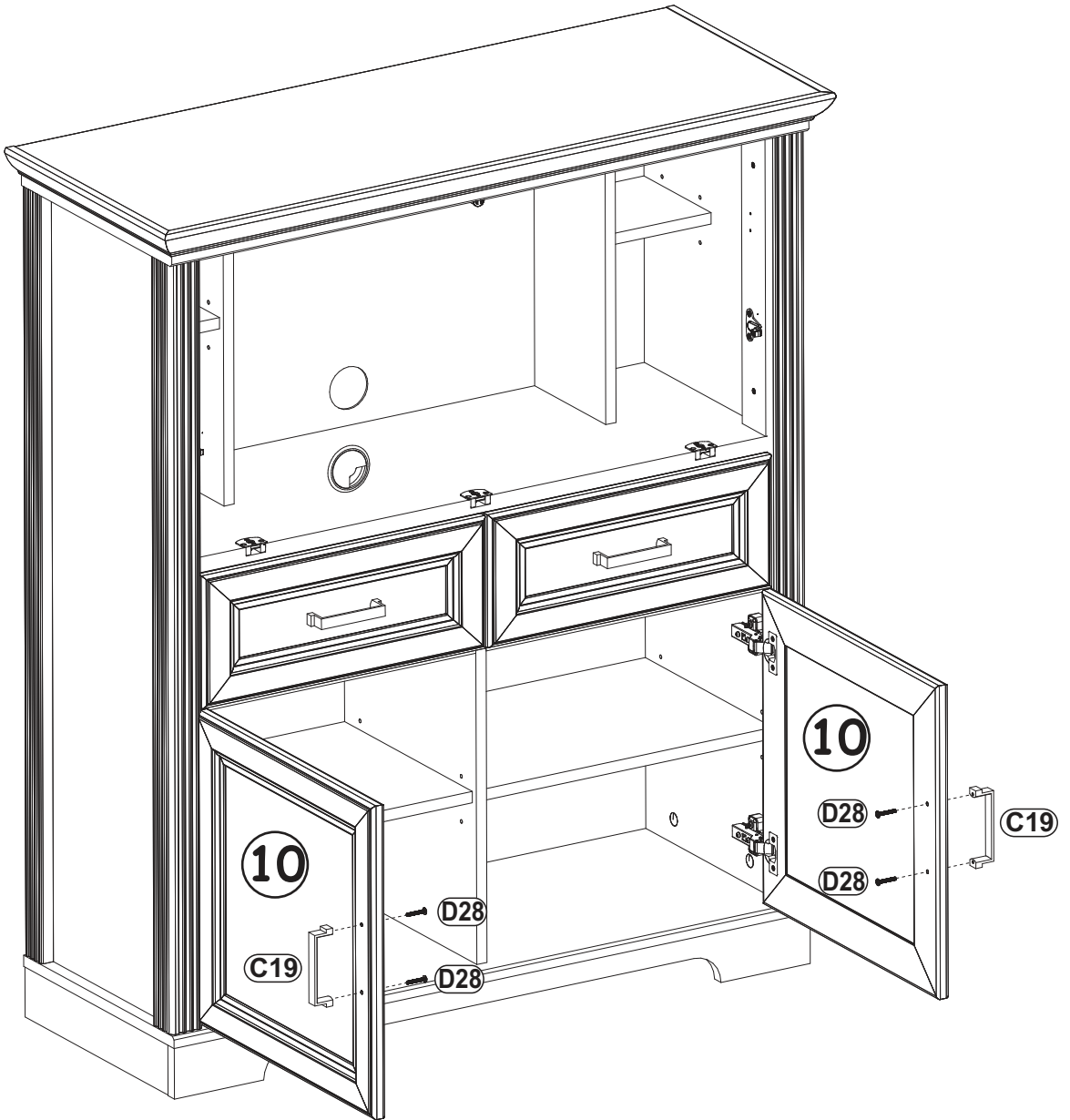
37



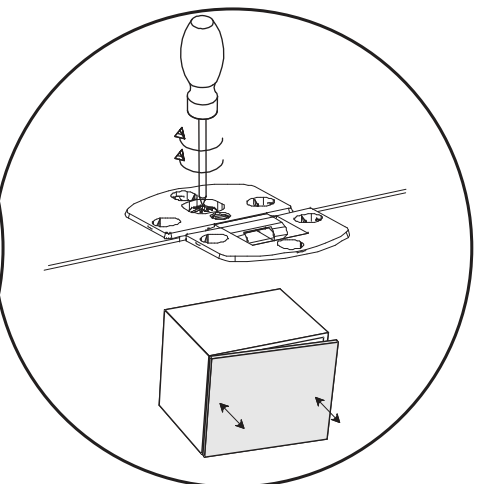
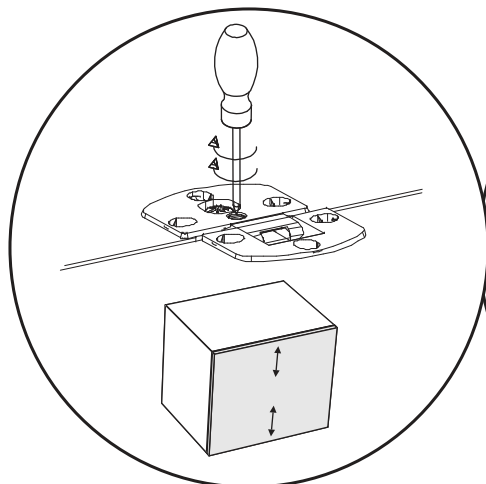
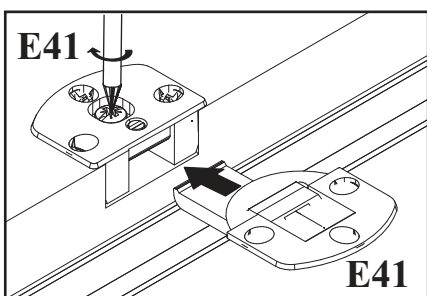
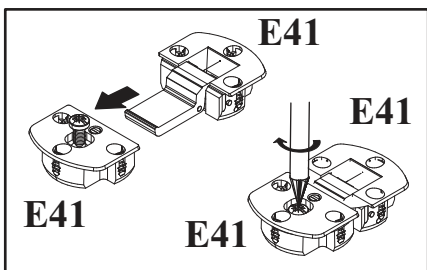
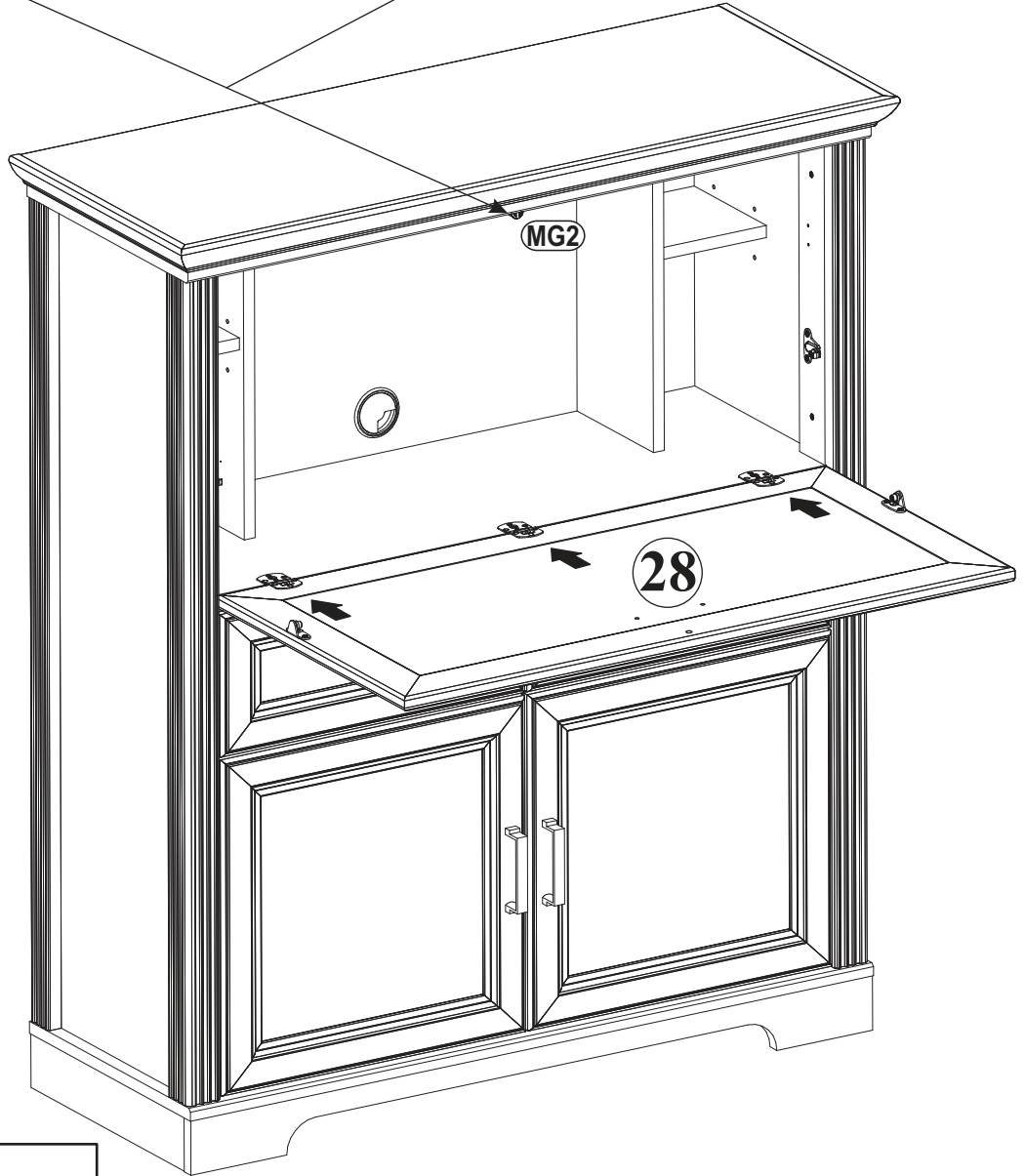
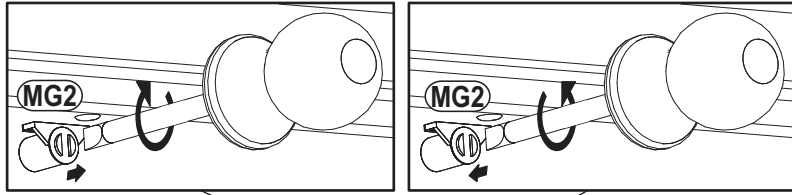
38



C19		D28	
x2		x4	M4x28



40



SFD1	
x2	

WS4	
x2	WS4X16

C19	
x1	

41

