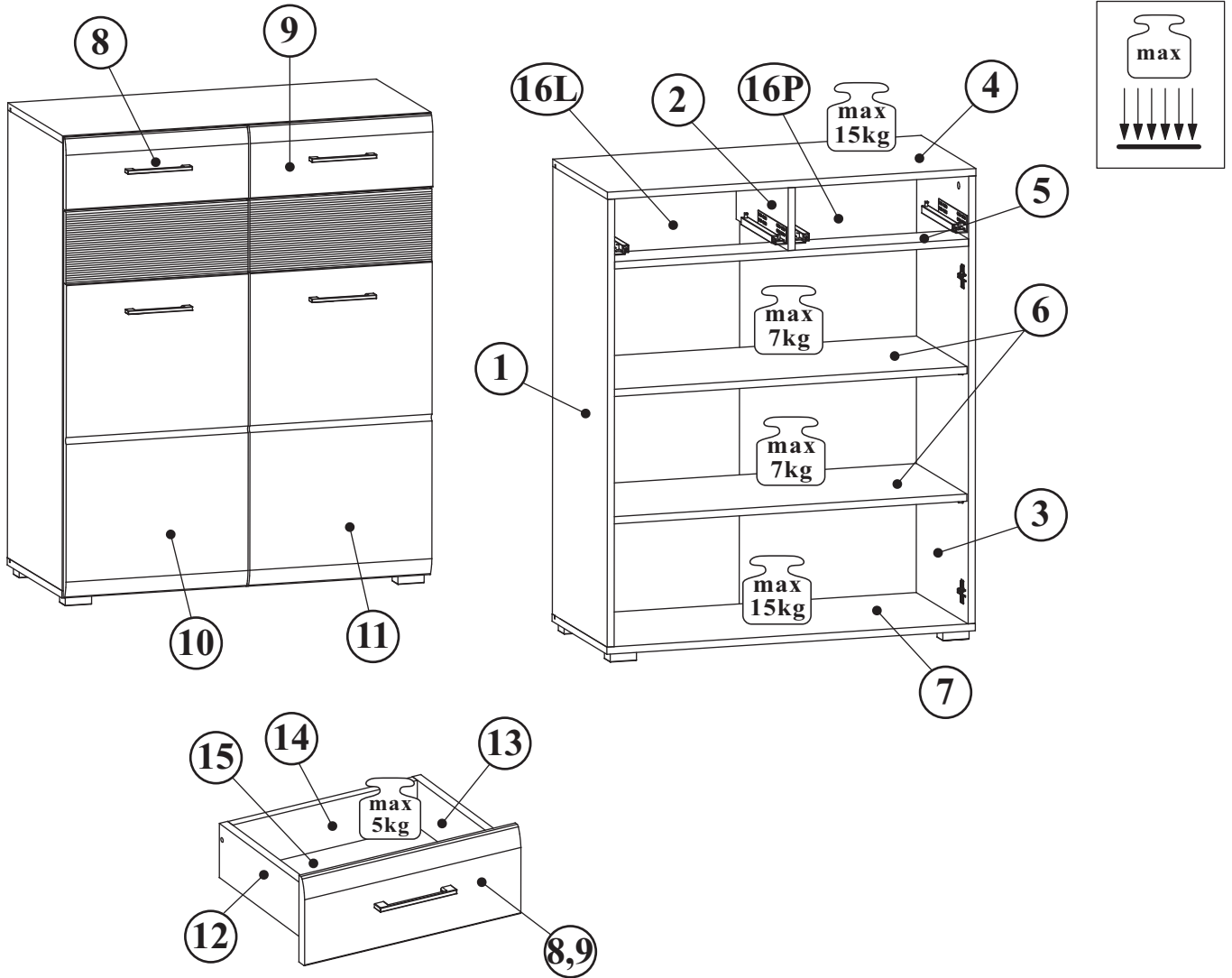
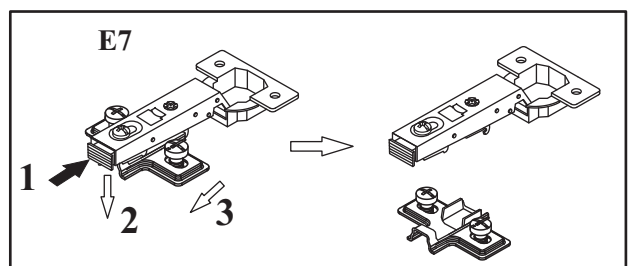
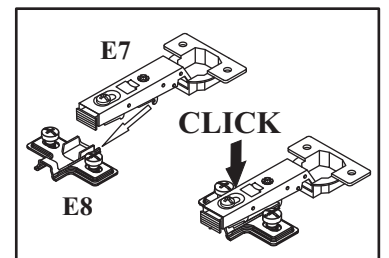
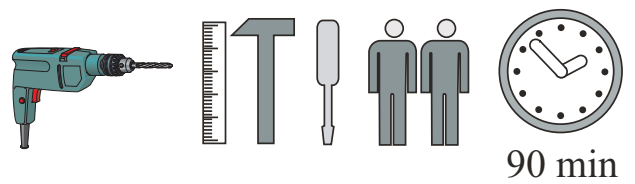


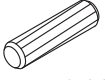
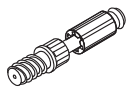

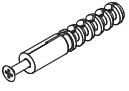


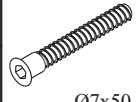

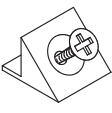

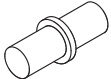
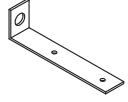


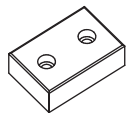



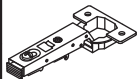
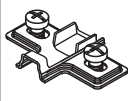
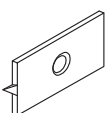

FUNNY TYP 11 3K16_11

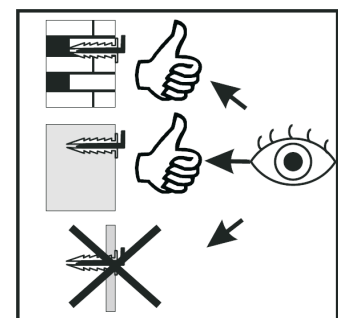
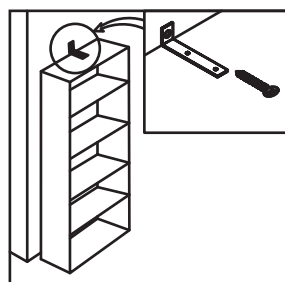
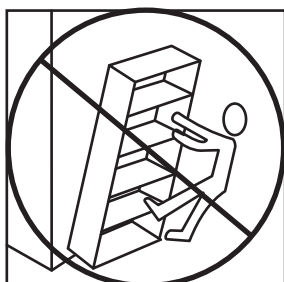
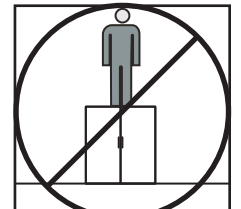
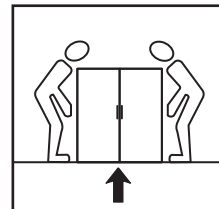
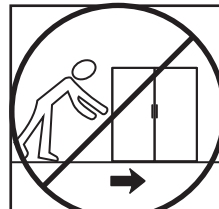
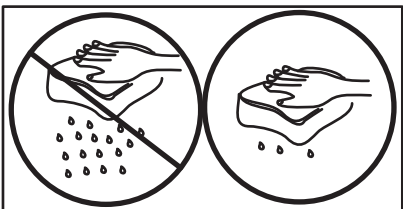
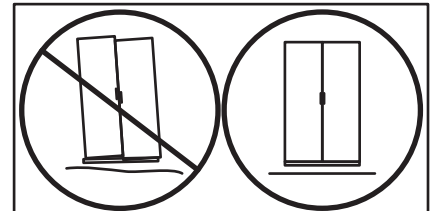
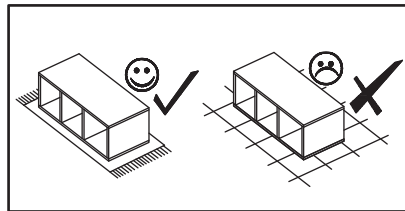
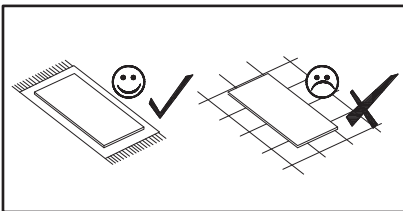
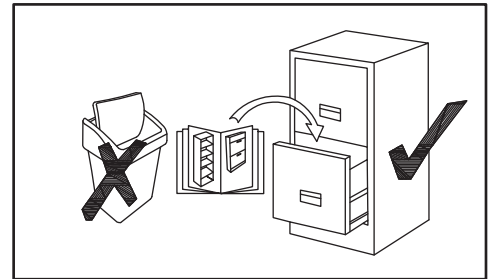
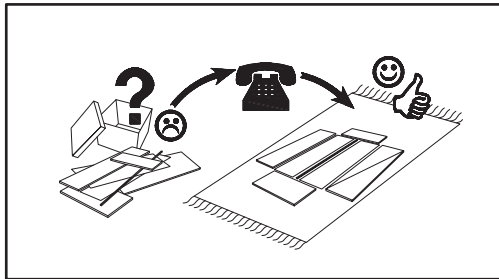
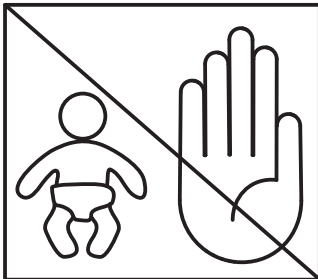
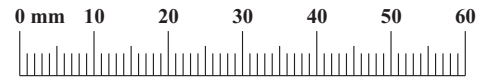


NO	Dim.			Col.-No	Qty
1	991	380	16	1	1
3	991	380	16	1	1
2	139	360	16	1	1
7	842	380	16	1	1
4	842	380	16	1	1
5	809	100	16	1	1
6	809	350	16	1	2
10	417	856	19	2	1
11	417	856	19	2	1
8	417	160	19	1	1
9	417	160	19	1	1
12	300	100	16	1	2
13	300	100	16	1	2
14	356	86	16	1	2
16L	1002	410	2	2	1
16P	1002	410	2	2	1
15	367	305	2	1	2

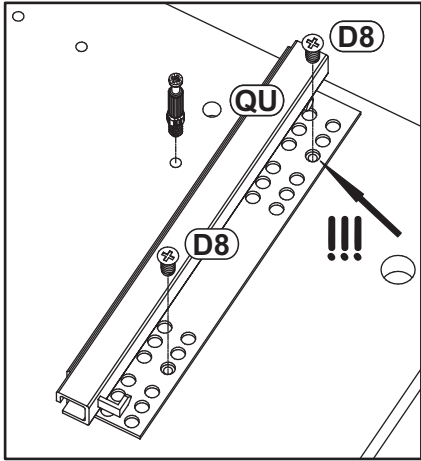


FUNNY TYP 11 3K16__11

A1 x21  ø8x36	B4 x12 	B5 x12  ø15x12	KR1 x1 	G5 x12 	G2 x1 
B11 x9  Ø7x50	G4 x9 	S1 x18 	D10 x10  USØ3,5x13	G7 x8 	L1 x1 
U11 x4 	D5 x8  M4x25	ST1 x4 	UP13 x13  UPØ3x16	UP11 x8  UPØ4x20	D8 x8  ESØ5x13
E7 x4 	E8 x4 	G16 x1 	QU x2  L-300mm		



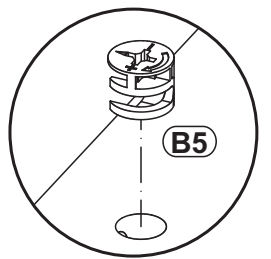
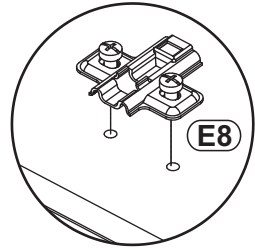
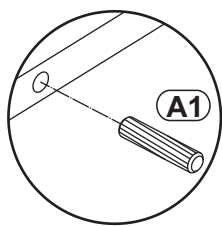
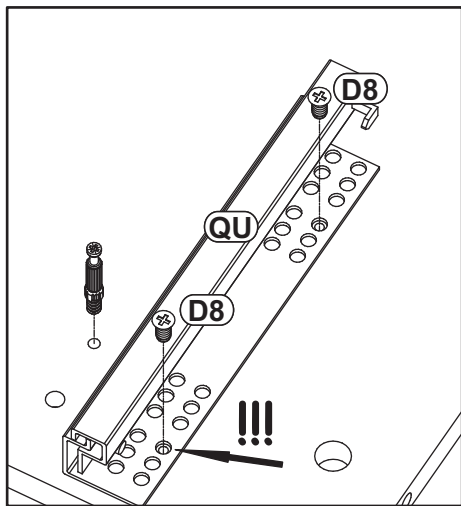
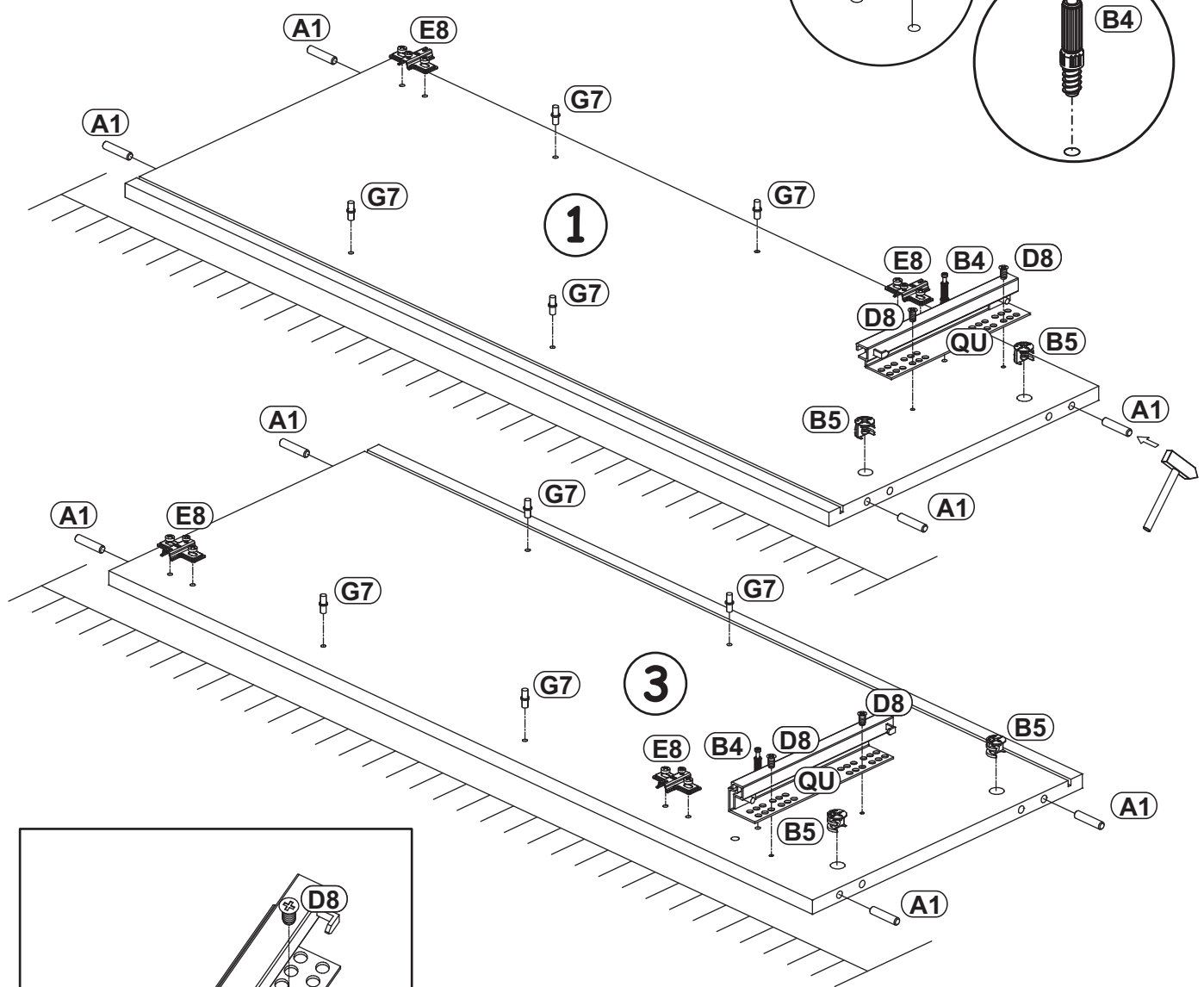
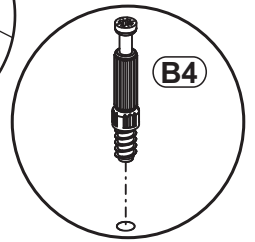
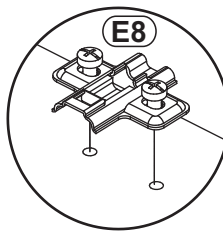
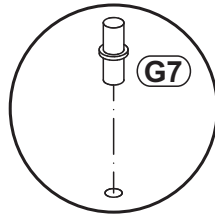
1



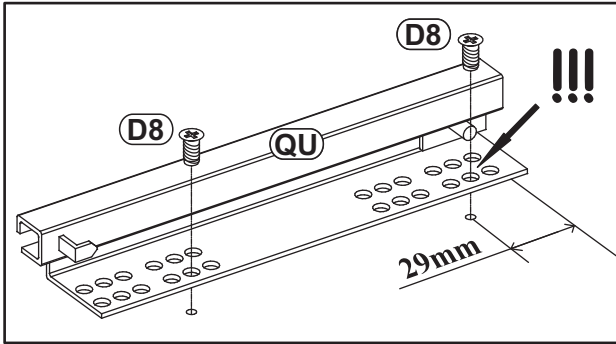
B4		A1		G7	
x2		x8	$\varnothing 8 \times 36$	x8	

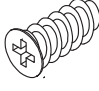
E8		D8		QU	
x4		x4	ESØ5x13	x1	L-300mm

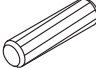
B5	
x4	$\varnothing 15 \times 12$

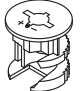


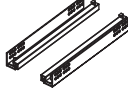
2

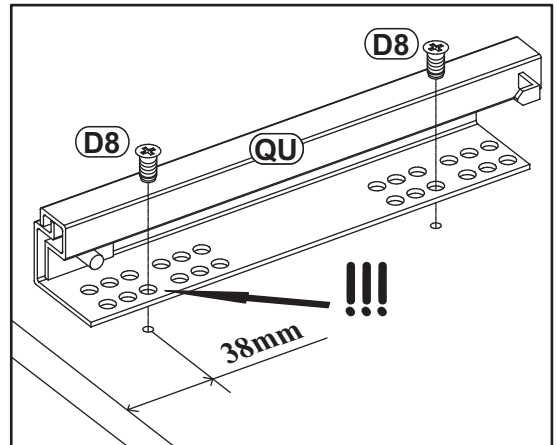
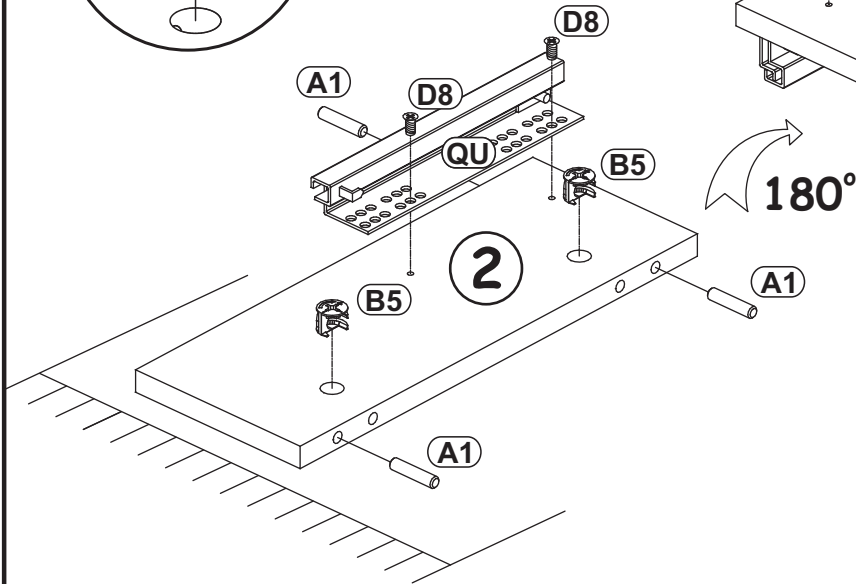
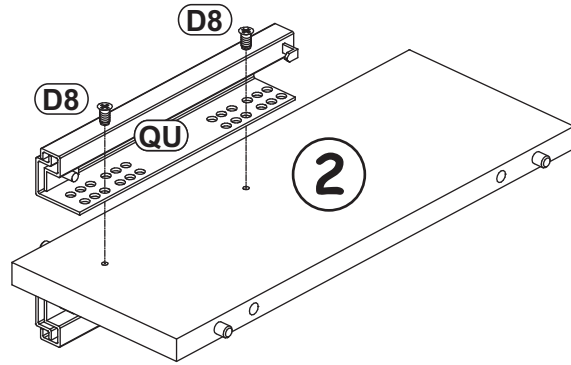
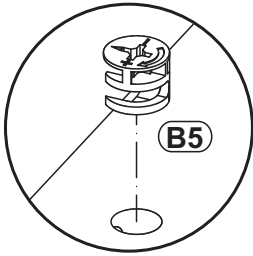
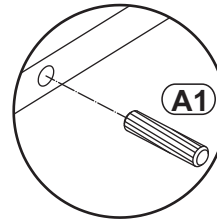


D8	
x4	ESØ5x13

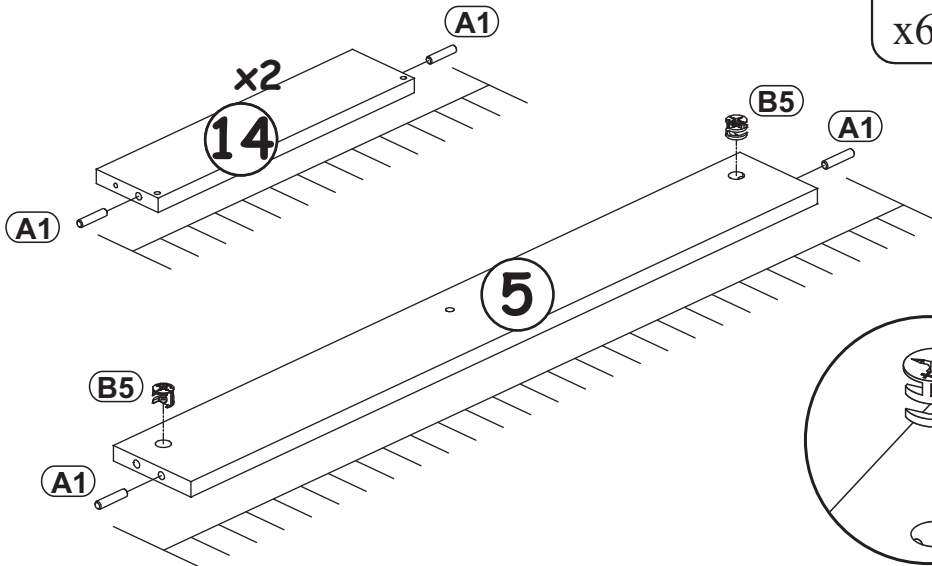
A1	
x3	ø8x36

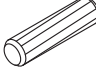
B5	
x2	ø15x12

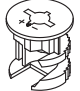
QU	
x1	L-300mm

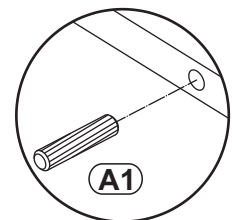
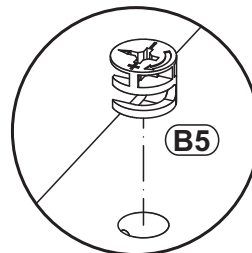


3

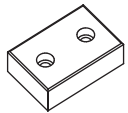
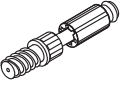


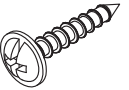
A1	
x6	ø8x36

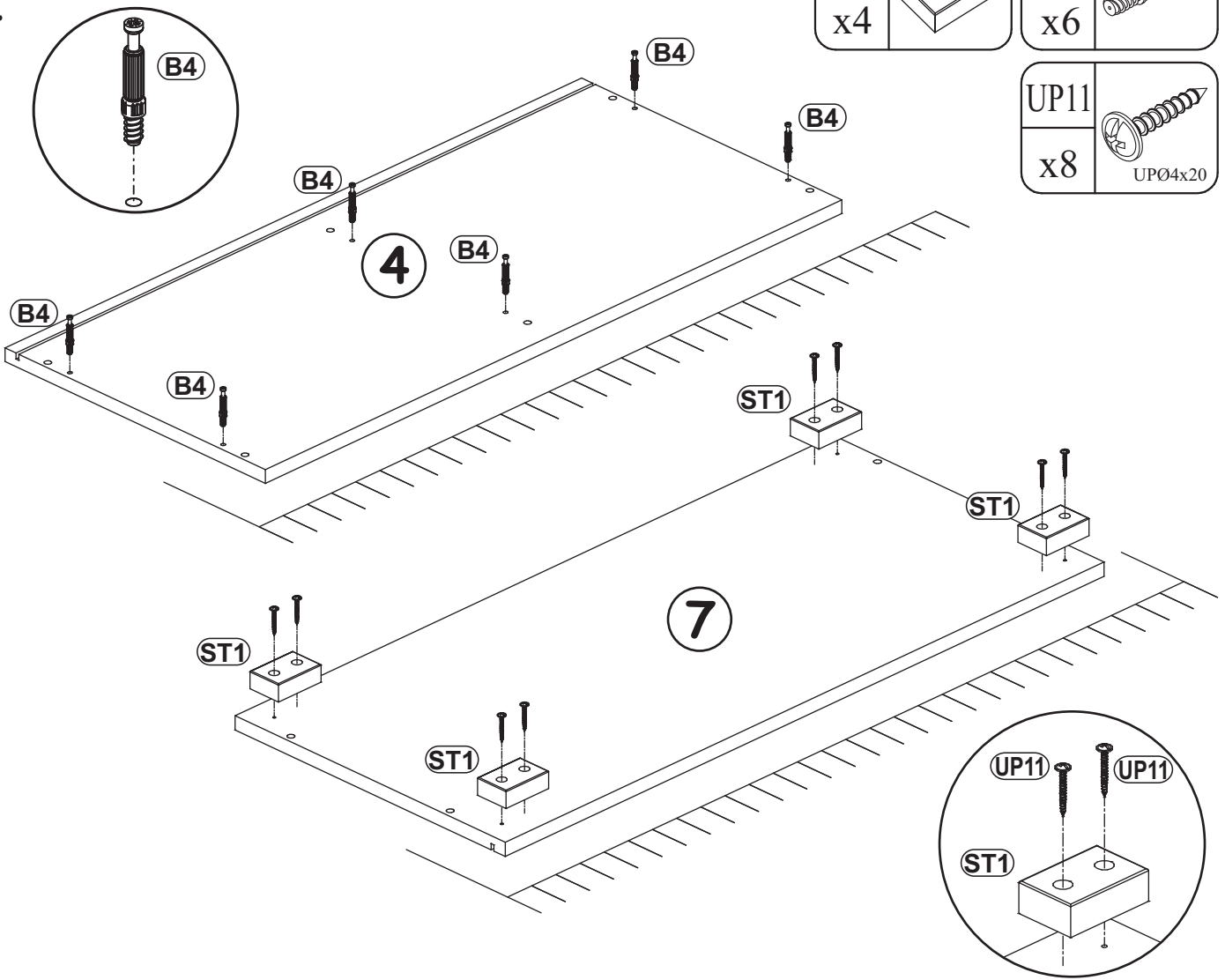
B5	
x2	ø15x12



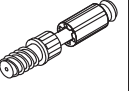
4

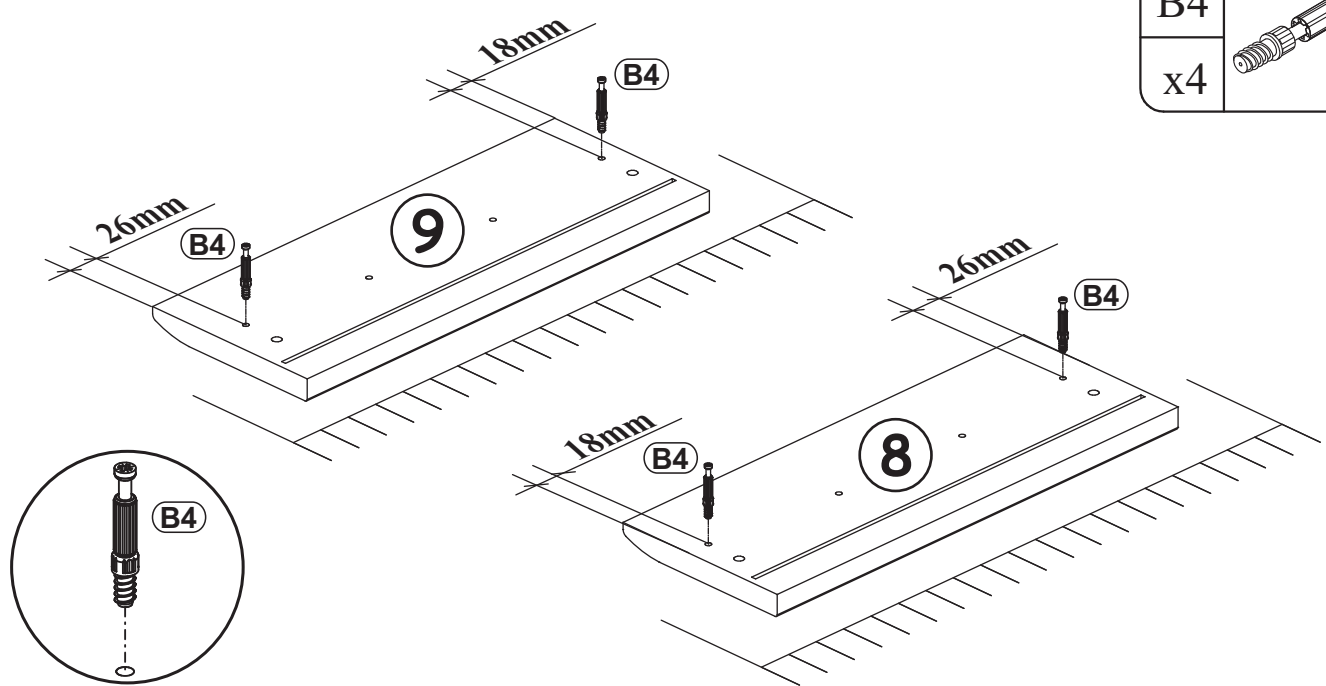
ST1		B4	
x4		x6	

UP11	
x8	UPØ4x20

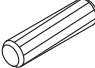



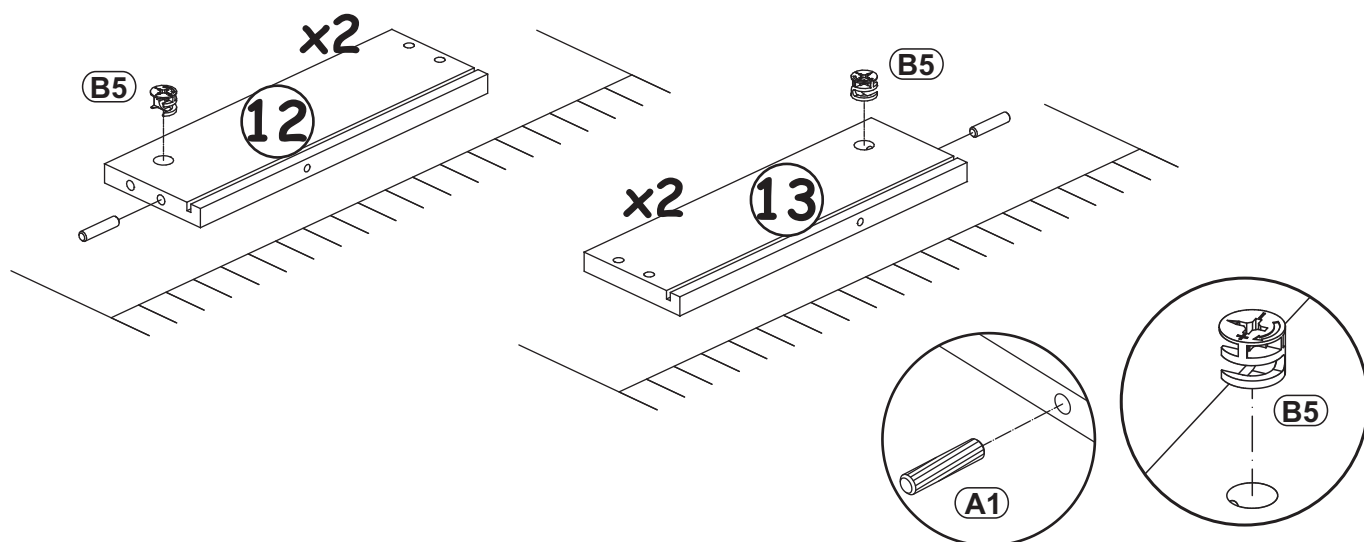
5

B4	
x4	

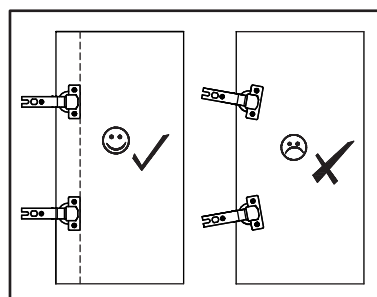


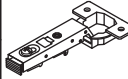
6

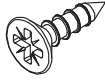
A1		B5	
x4	ø8x36	x4	ø15x12

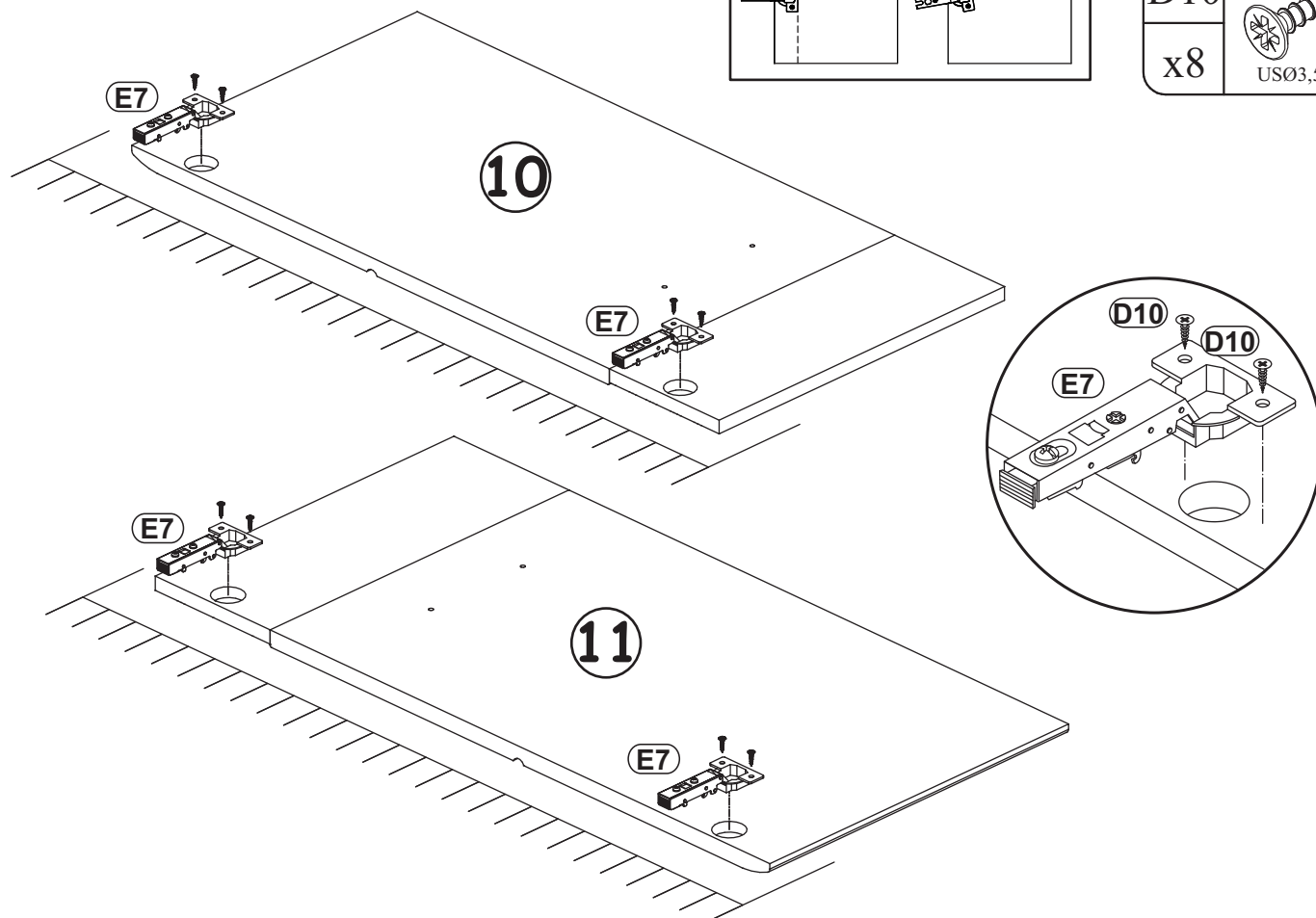


7




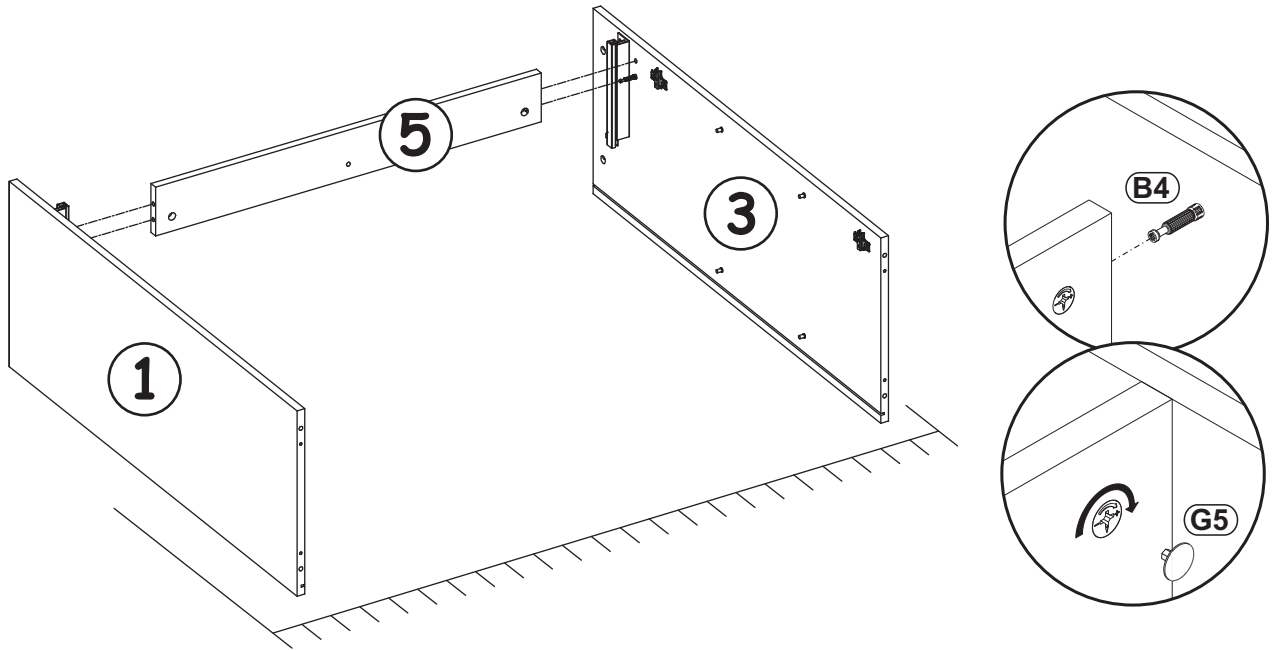
E7	
x4	

D10	
x8	USØ3,5x13





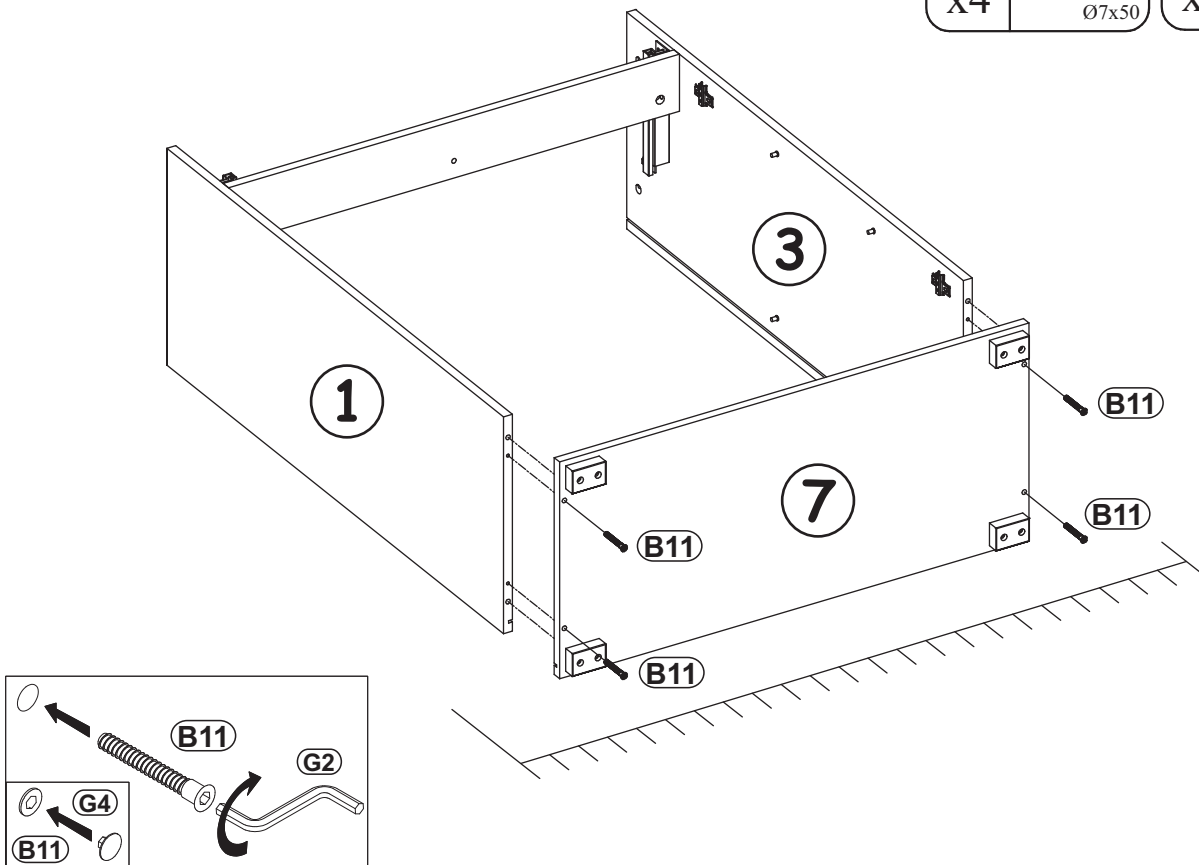
8

G5	
x2	






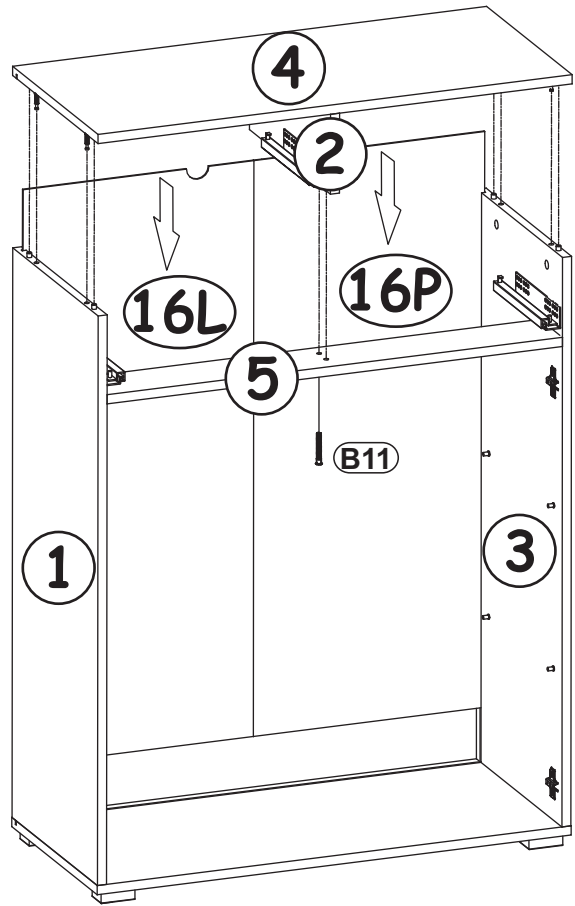
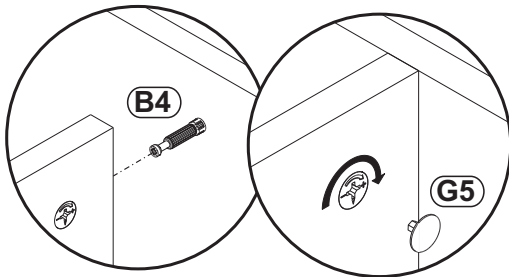
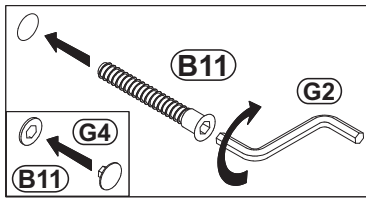
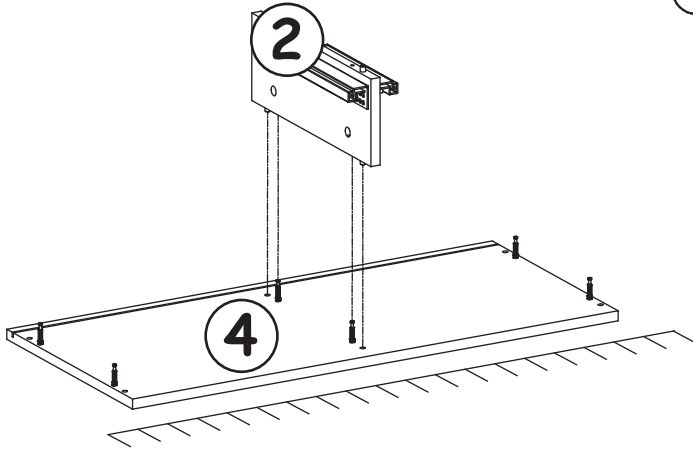
9

B11		G4	
x4	Ø7x50	x4	

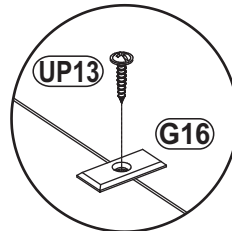
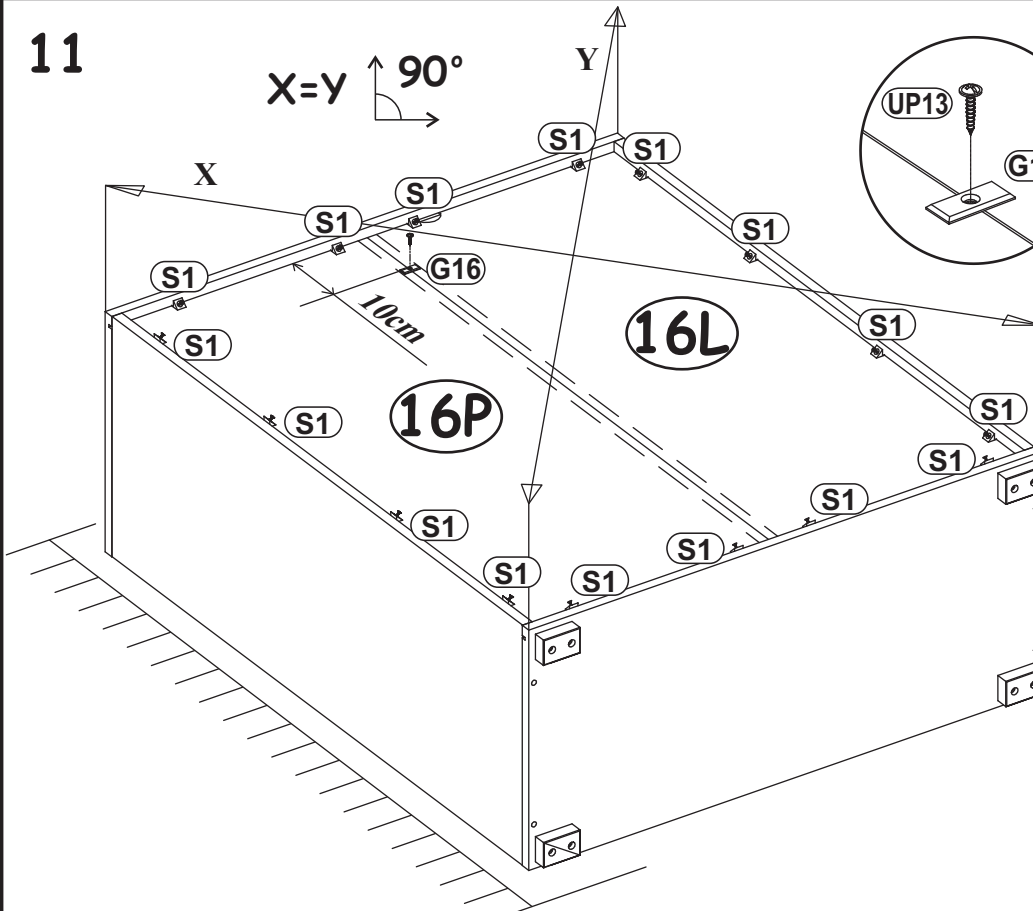


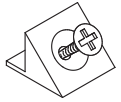
10

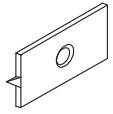
B11		G4		G5	
x1	Ø7x50	1		x6	




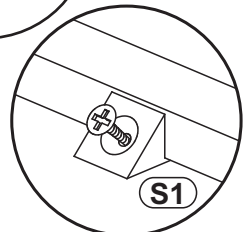
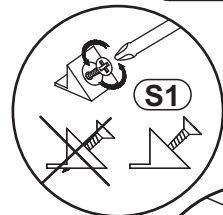
11



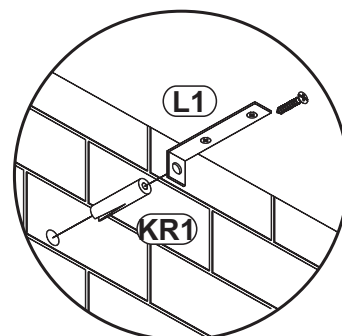
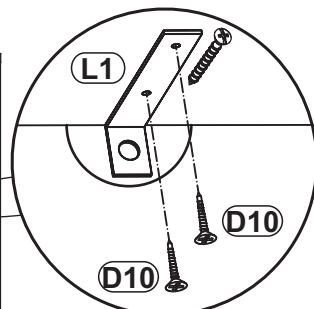
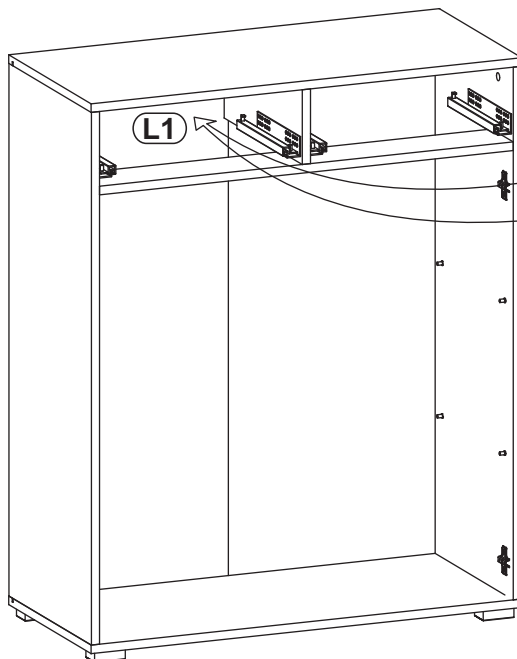
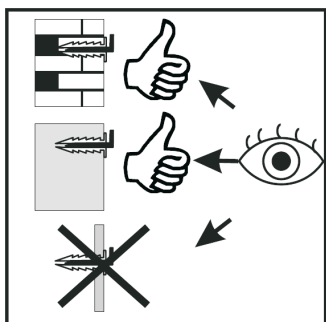
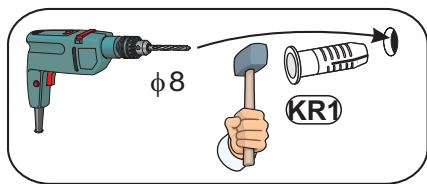
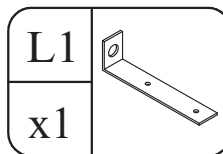
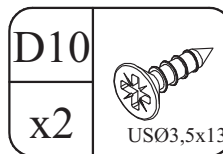
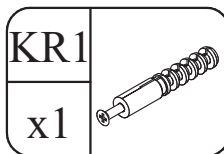
S1	
x16	

G16	
x1	

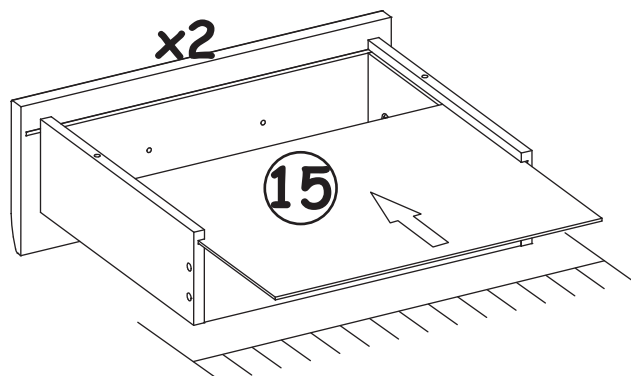
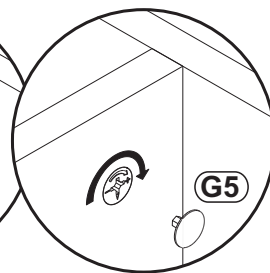
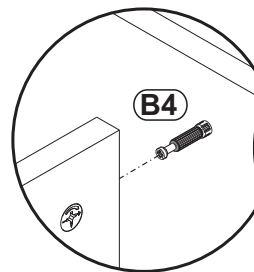
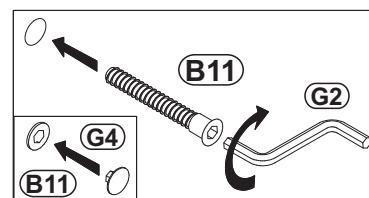
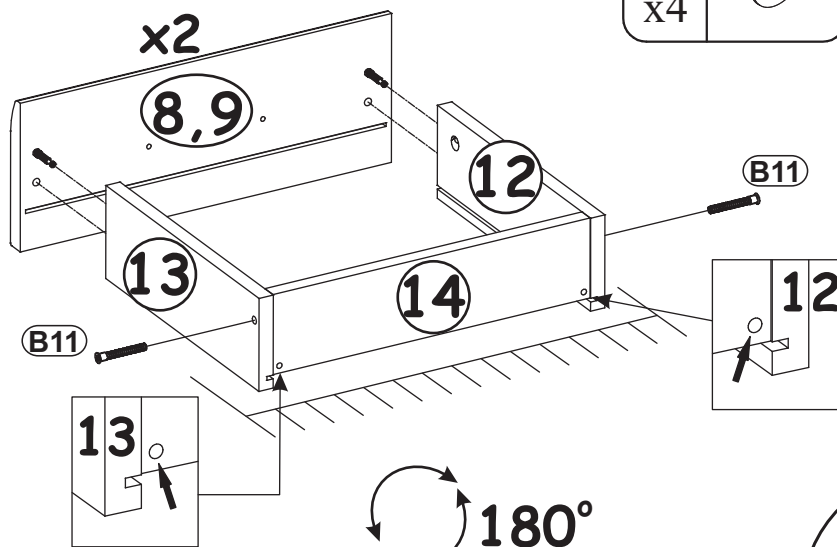
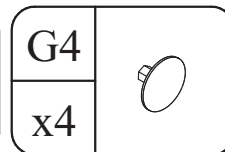
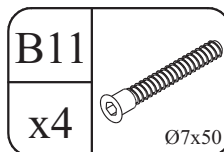
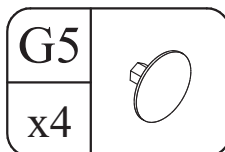
UP13	
x1	UPØ3x16



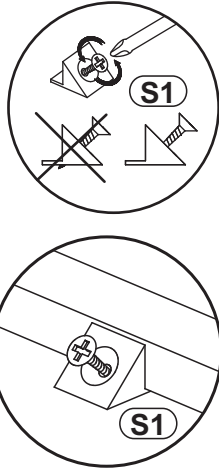
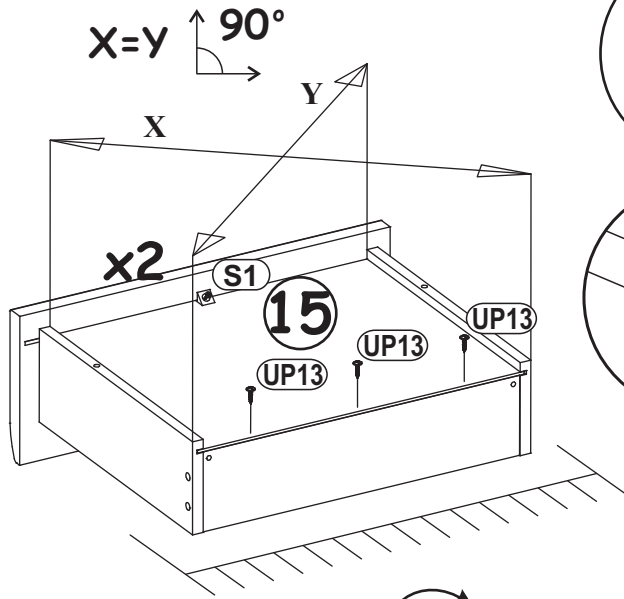
12



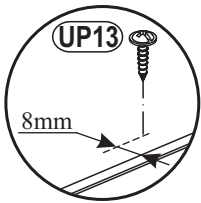
13



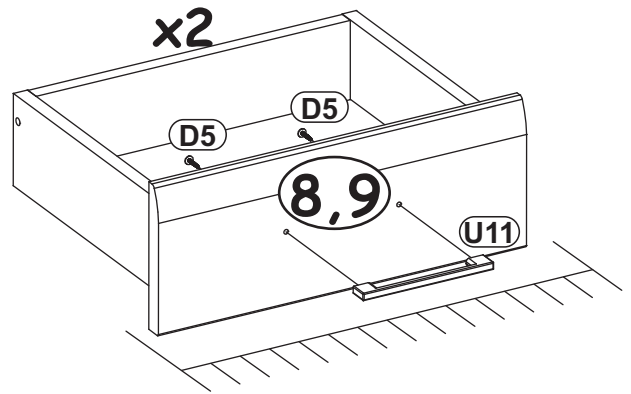
14



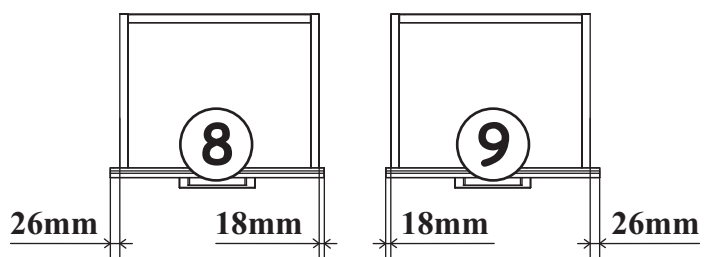
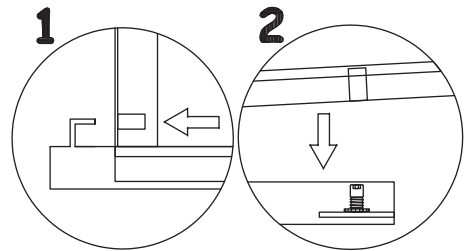
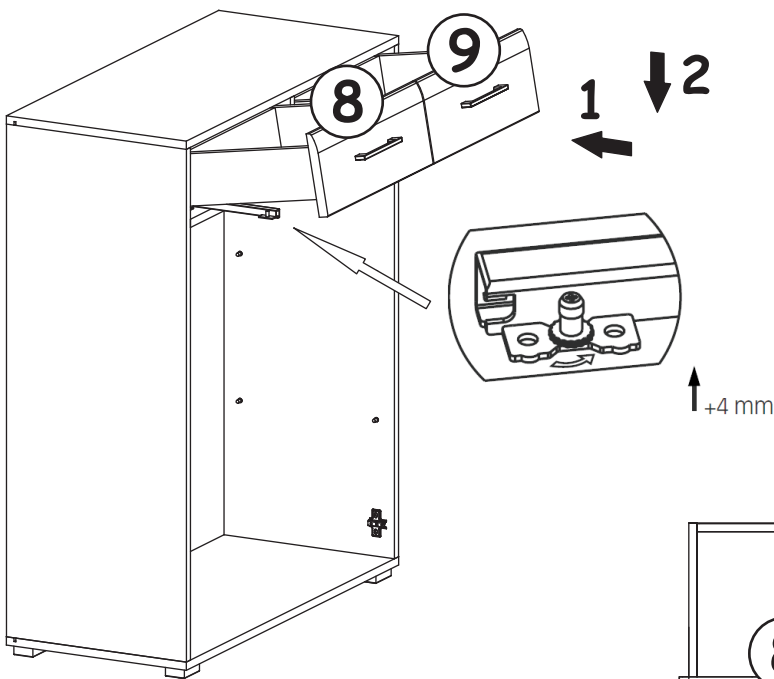
U11		S1	
x2		x2	
D5		UP13	
x4	M4x25	x6	UPØ3x16




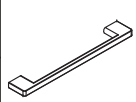
180°

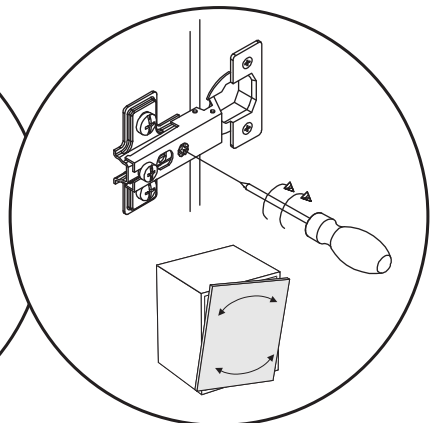
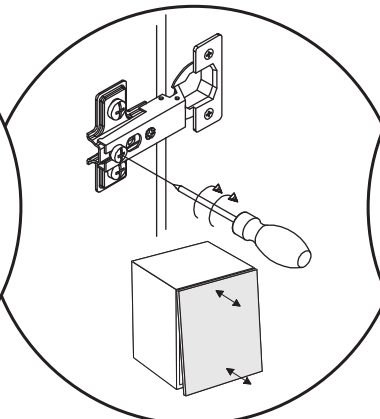
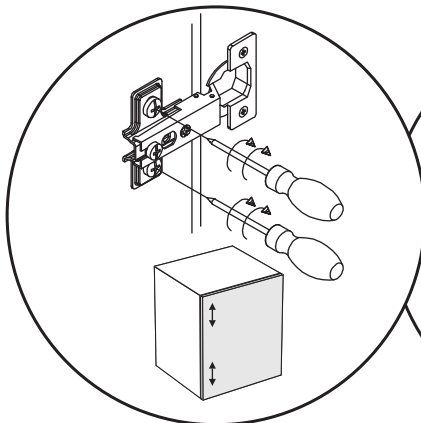
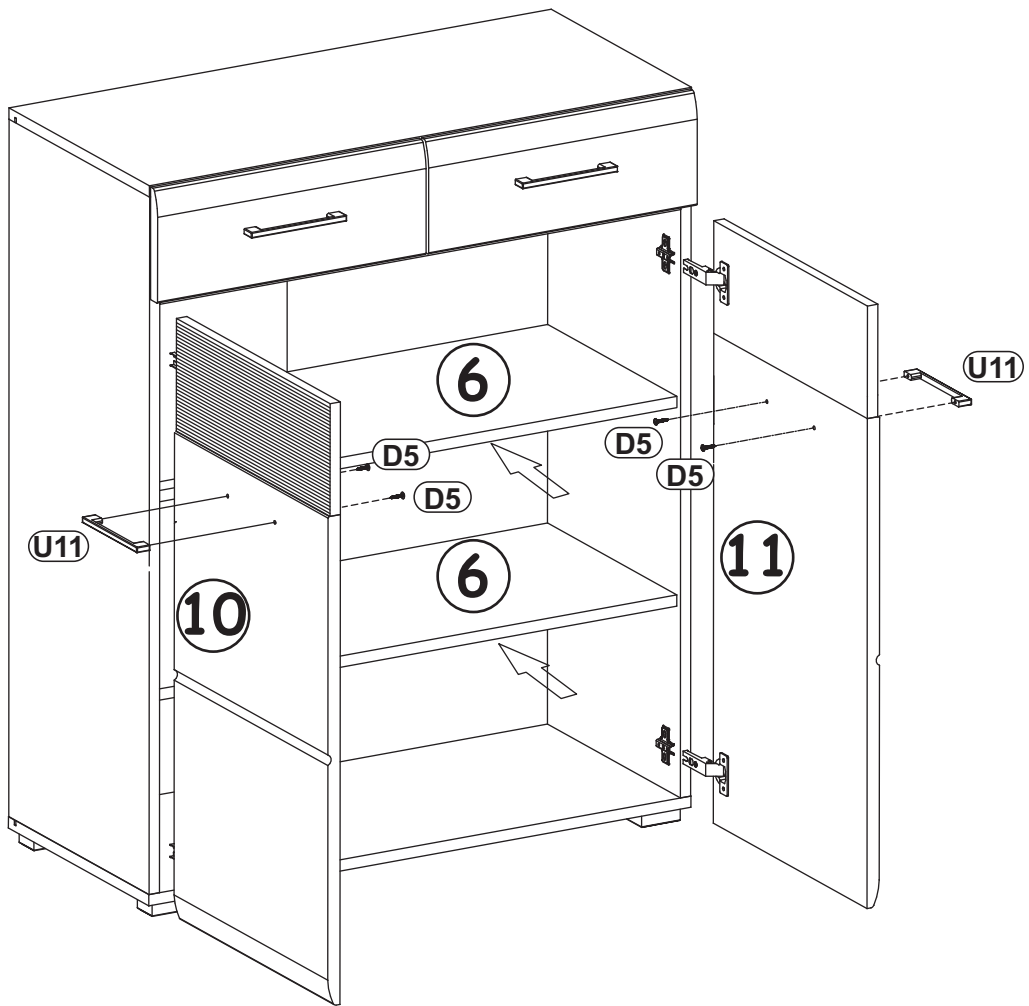
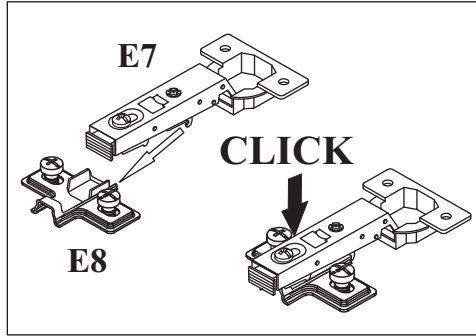


15

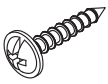


16

D5		U11	
x4	M4x25	x2	



17

UP13	 UPØ3x16
x4	

