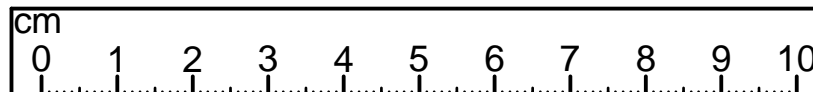
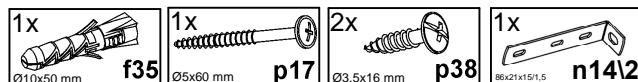
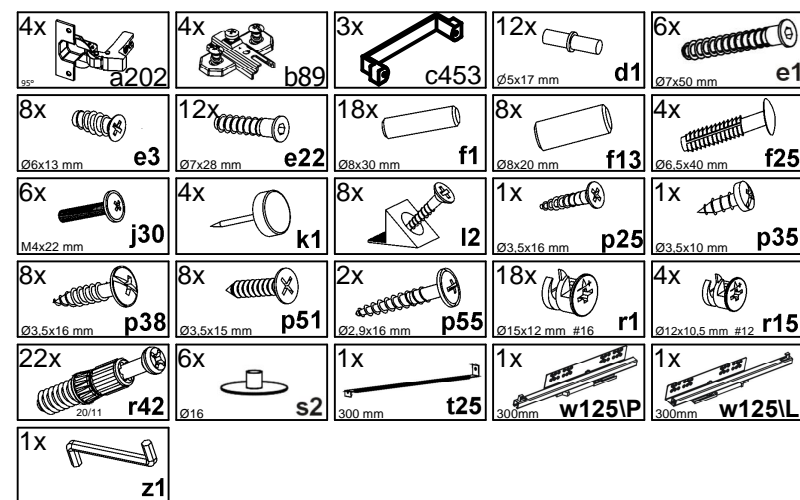
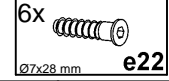
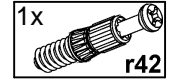
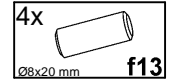
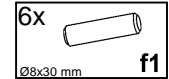
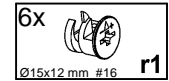
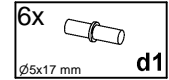
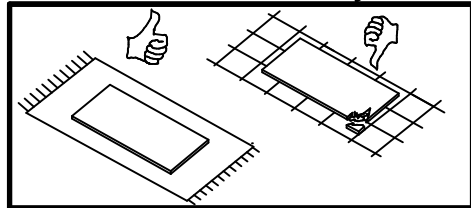
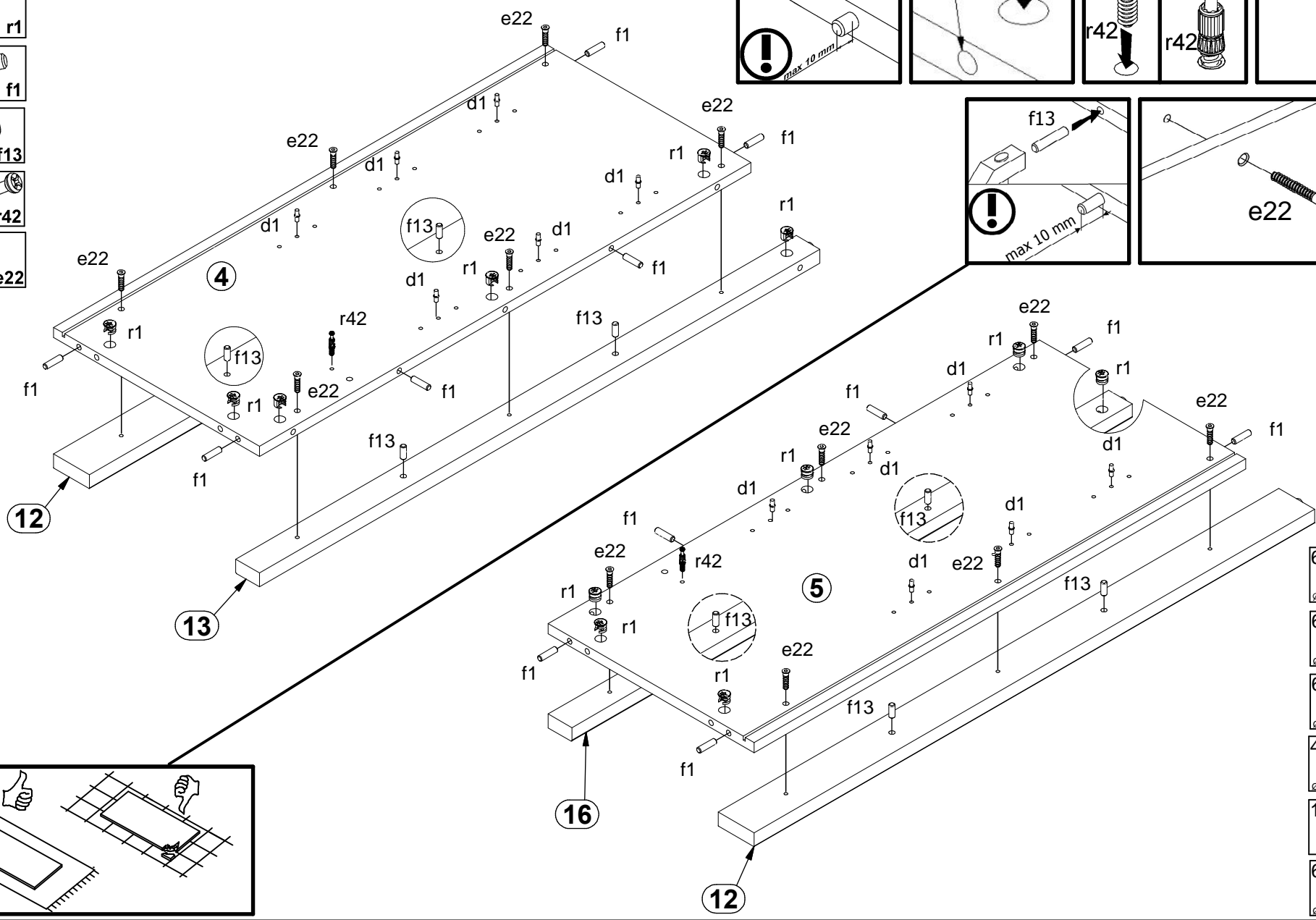
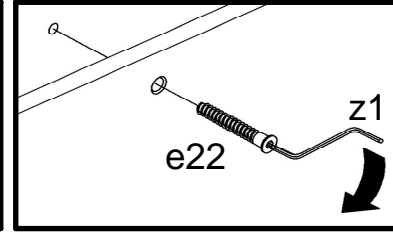
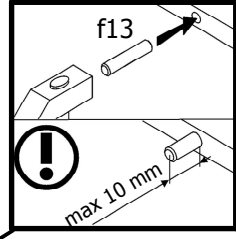
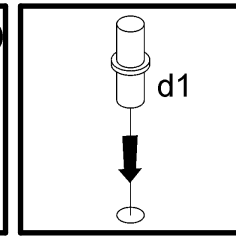
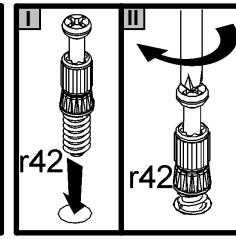
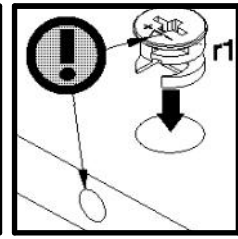
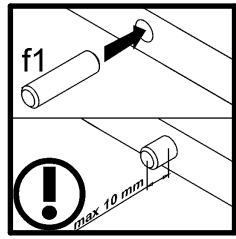
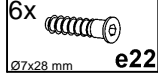
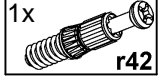
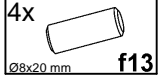
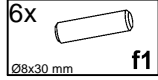
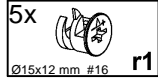
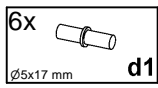
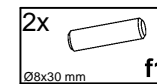
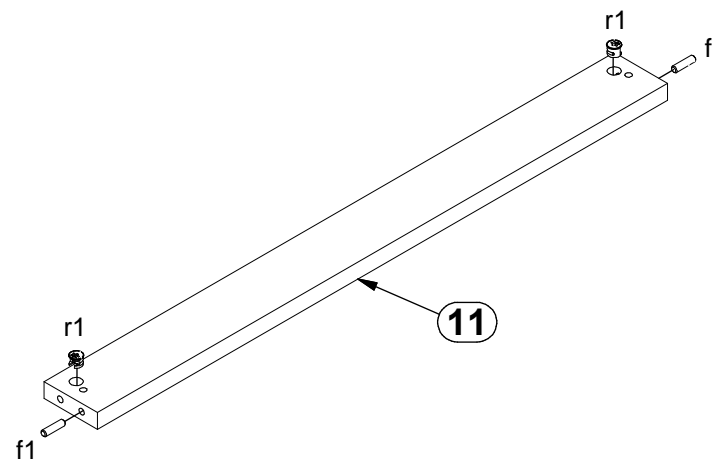
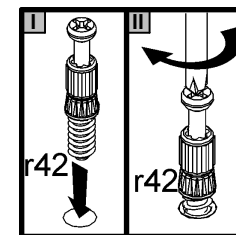
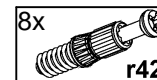
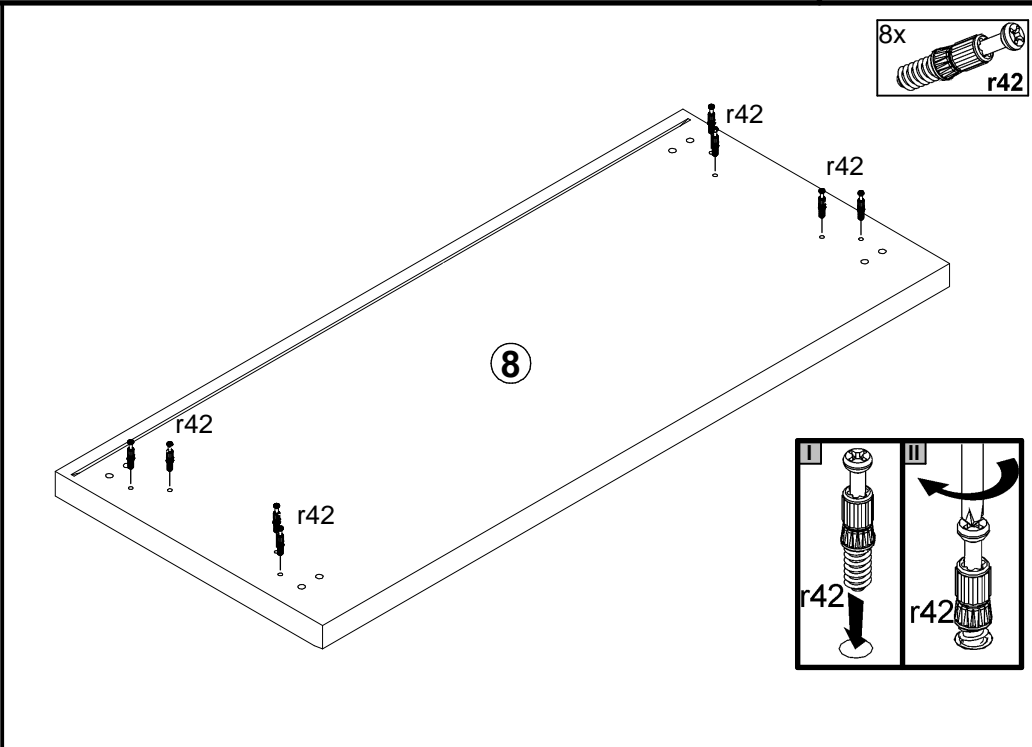
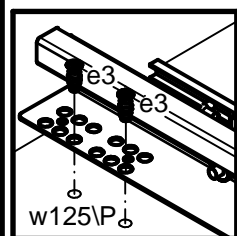
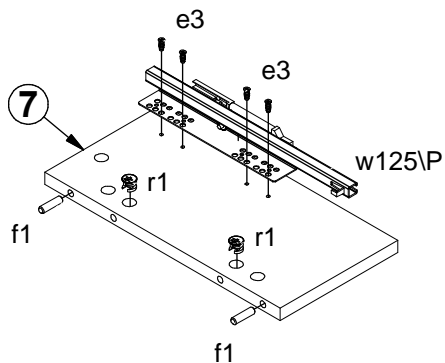
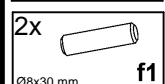
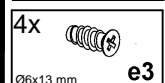
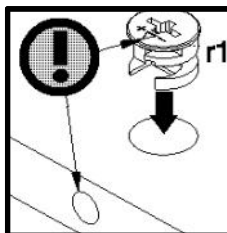
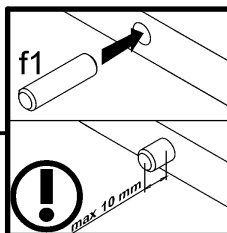
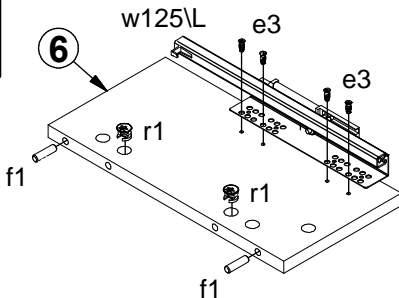
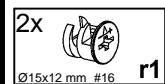
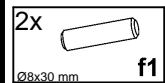
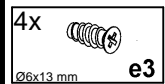
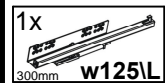
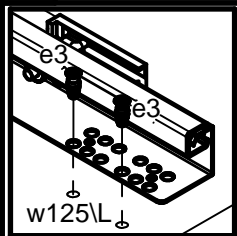


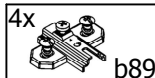
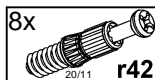
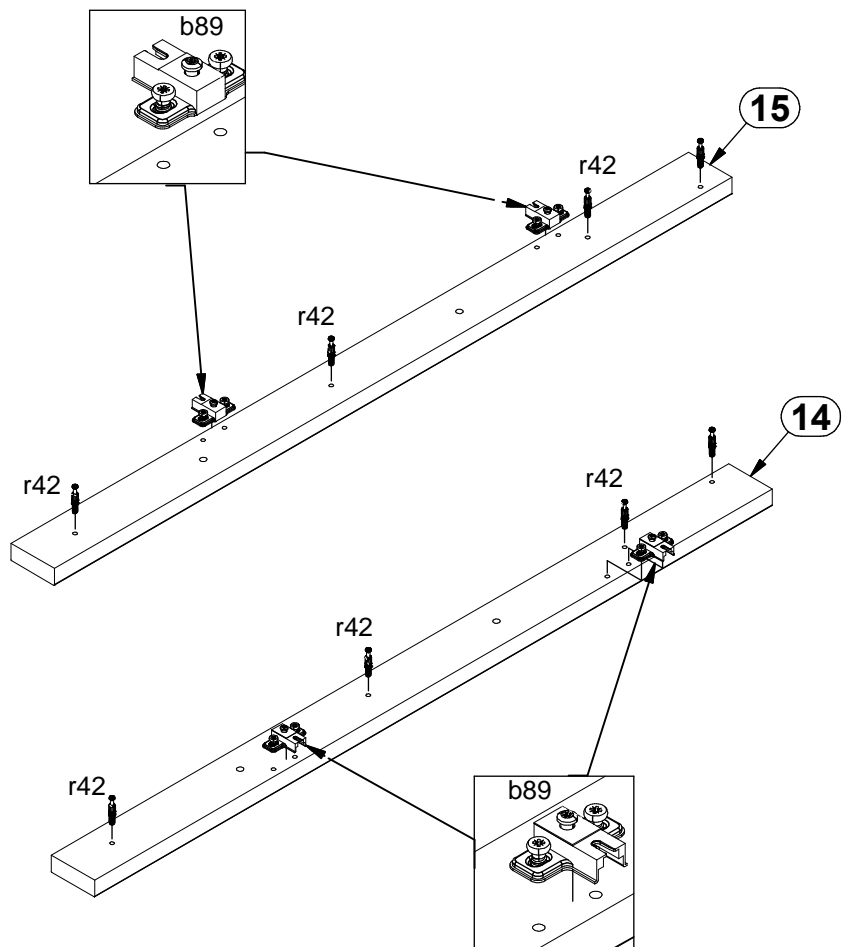
A	B	C1	C2	C3	D
1	M249-0003	795	176	16	2/2
2	M249-0004	700	296,	16	2/2
3	M249-0005	700	496,	16	2/2
4	M249-1001	890	373	16	1/2
5	M249-1002	890	373	16	1/2
6	M249-1003	176	353	16	1/2
7	M249-1004	176	353	16	1/2
8	M249-2003	940	400	32	2/2
9	M249-2004	886	373	18	2/2
10	M249-3005	853,	353	16	1/2
11	M249-4002	854	80	22	2/2
12	M249-5005	1015,	65	22	1/2
13	M249-5006	1015,	43	22	1/2
14	M249-5007	1015,	65	22	1/2
15	M249-5008	1015,	65	22	1/2
16	M249-5009	1015,	43	22	1/2
17	M249-9302	900	865	2,5	2/2
18	WSP-9311	771	308	2,5	1/2
19	ZQ6-5101	761	97	15	2/2
20	ZQ6-517	300	110	12	1/2
21	ZQ6-518	300	110	12	1/2



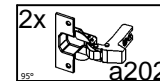
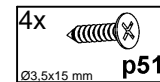
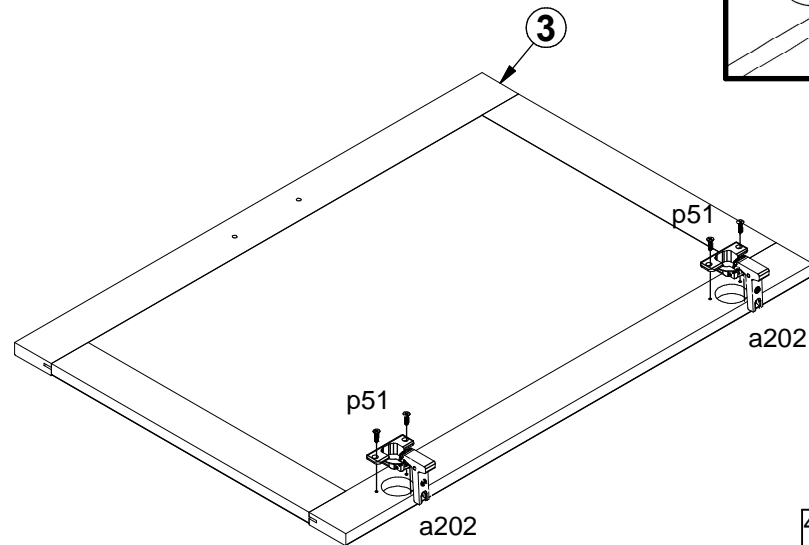
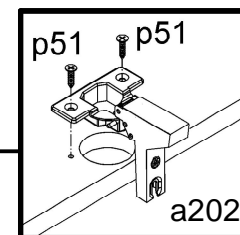
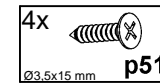
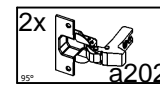
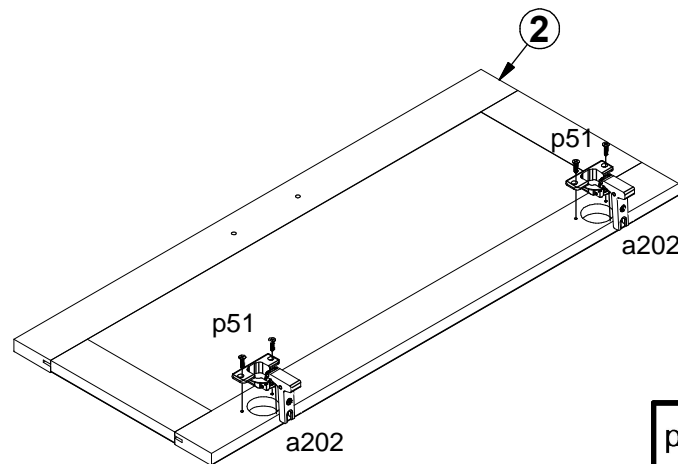


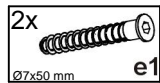
1



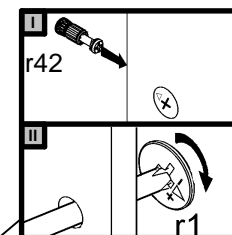
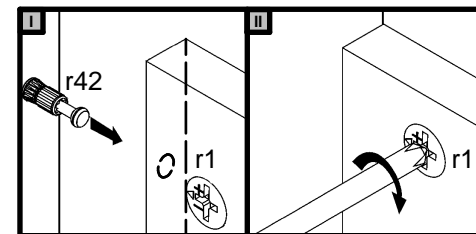
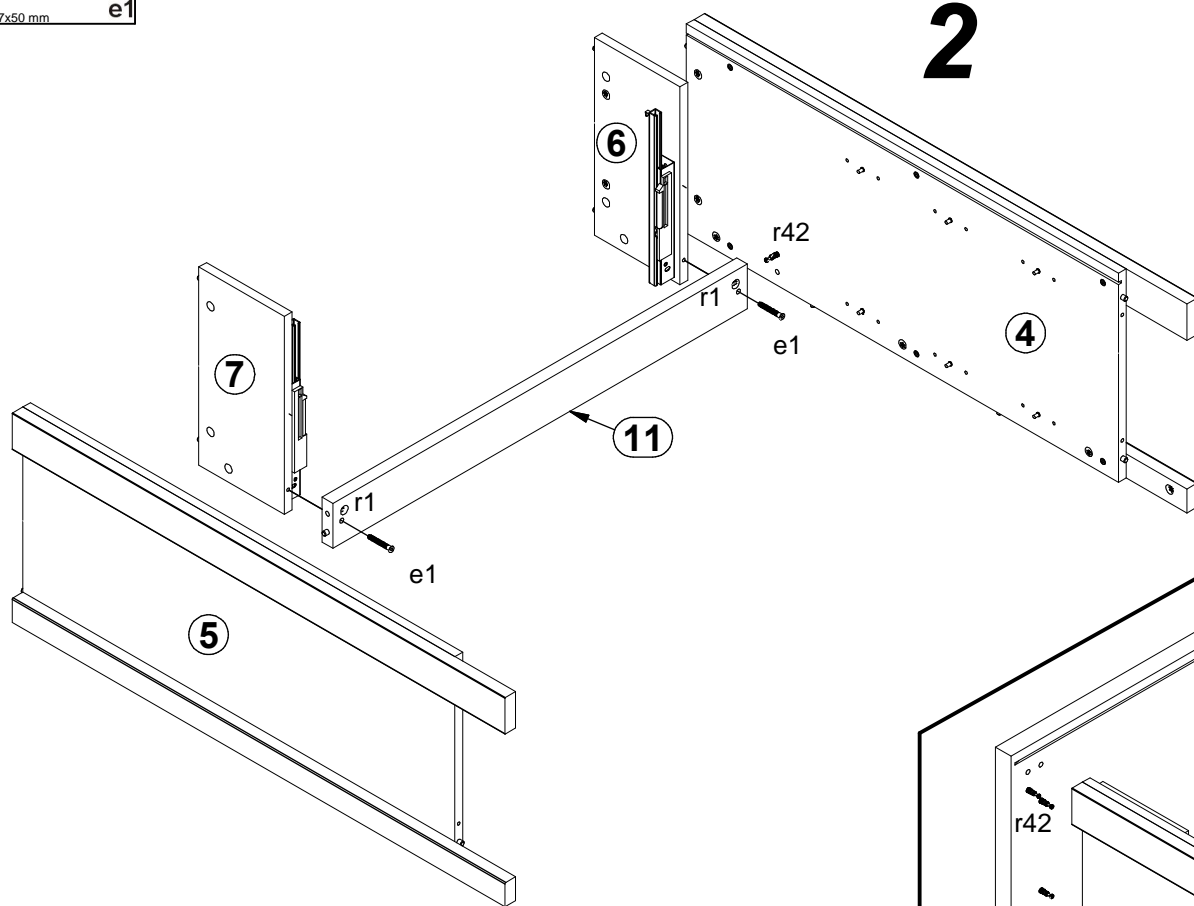


1

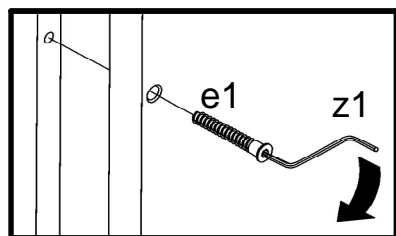
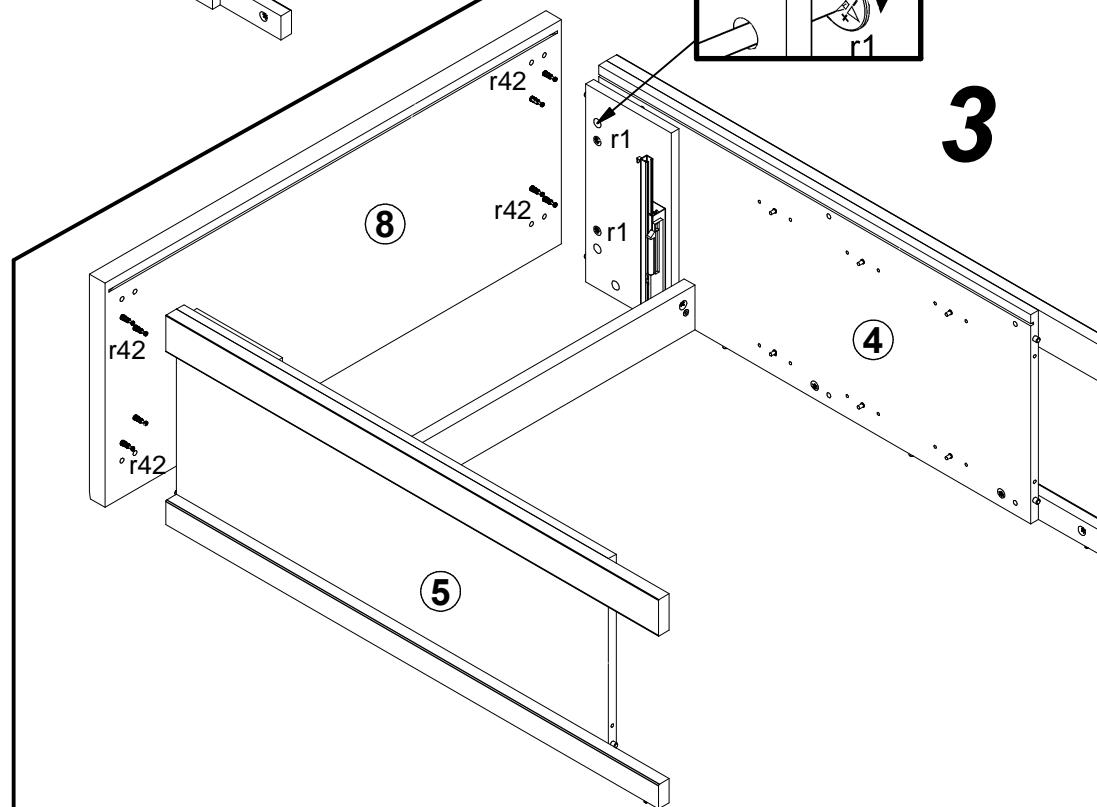


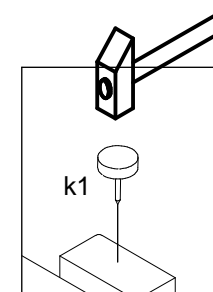
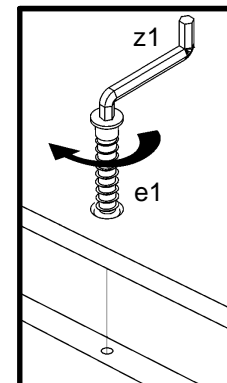
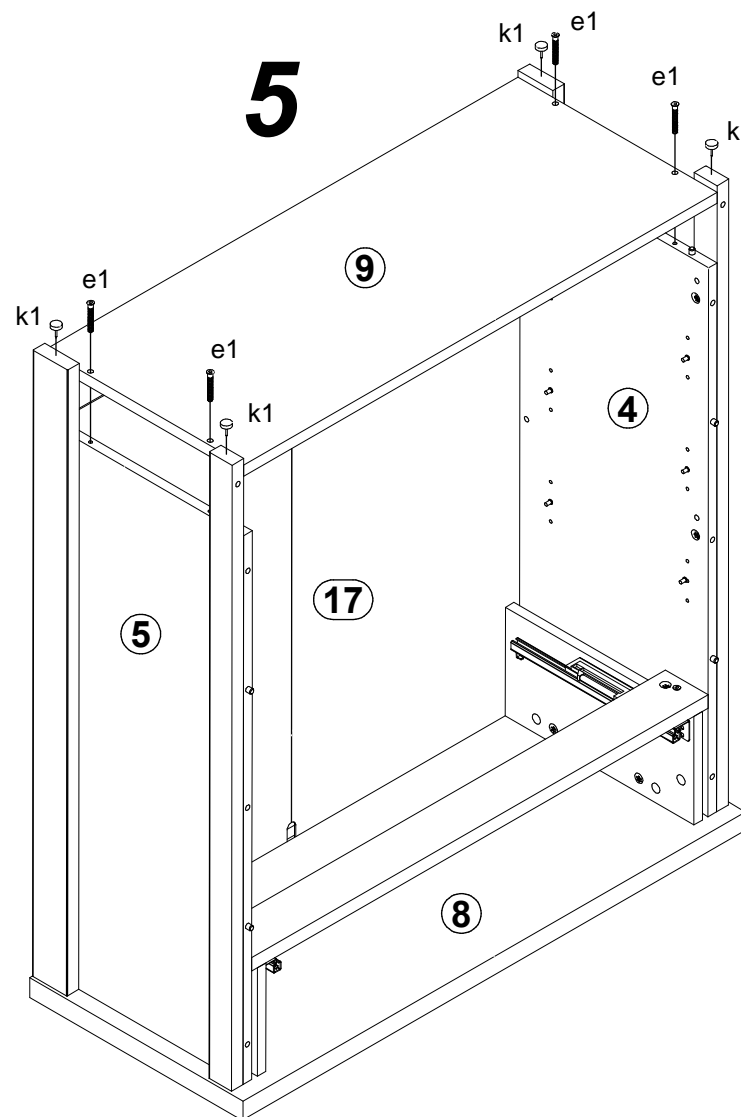
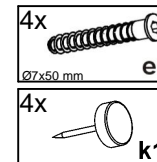
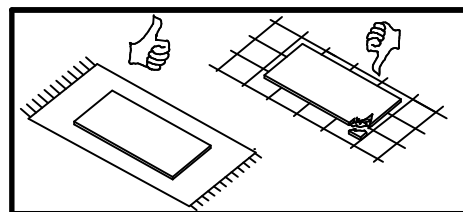
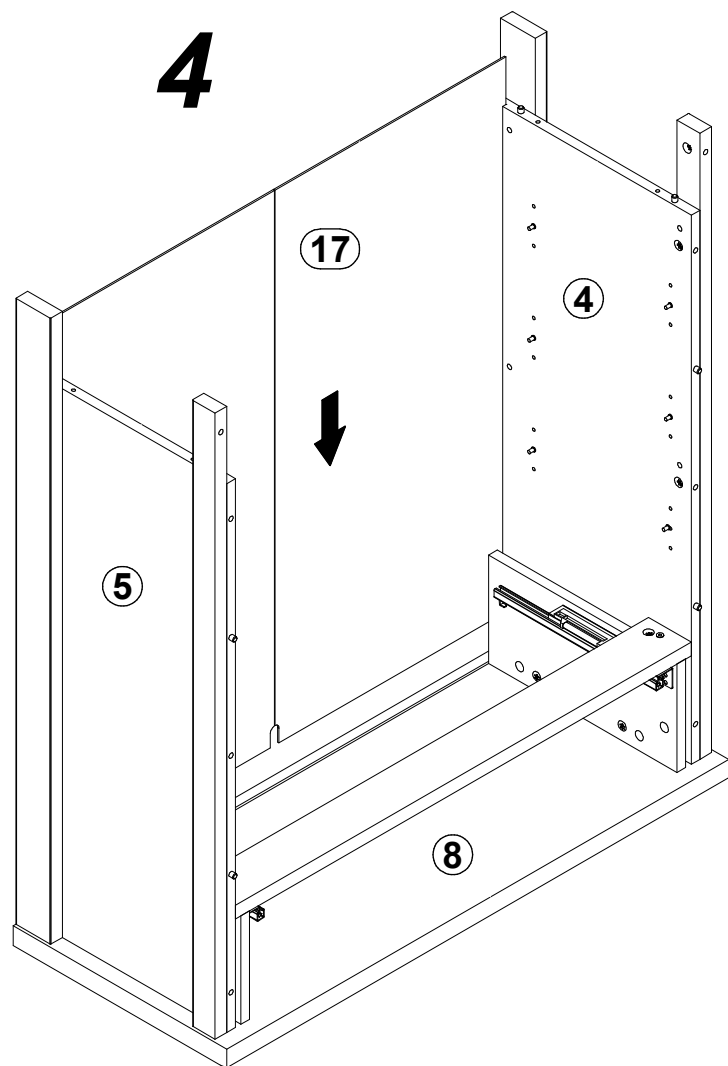


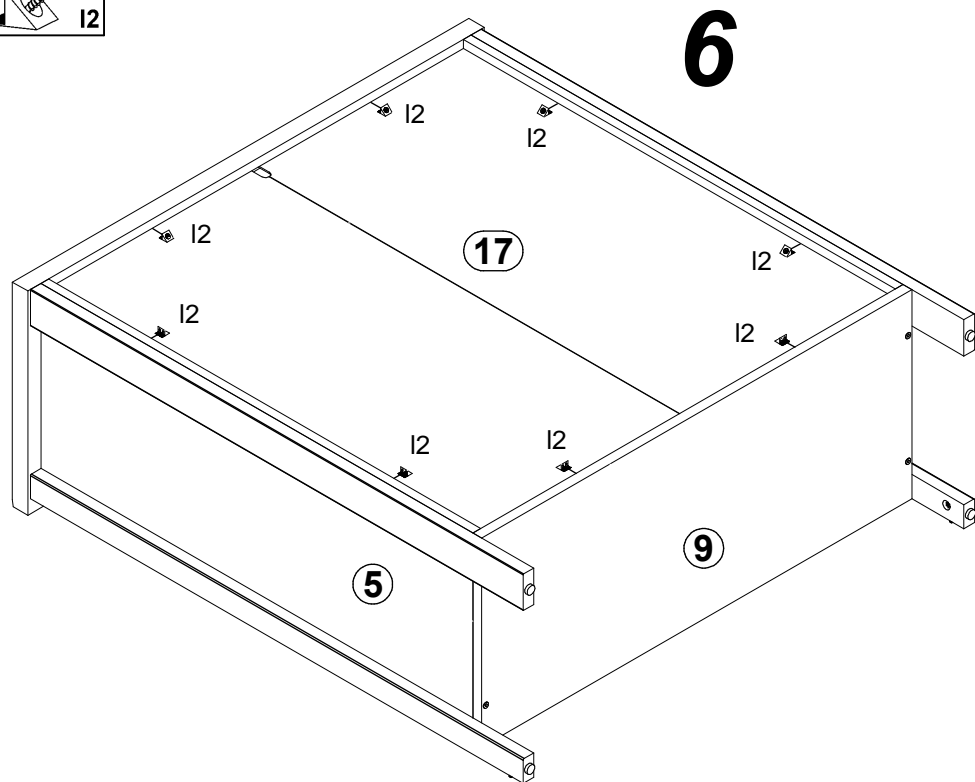
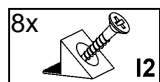
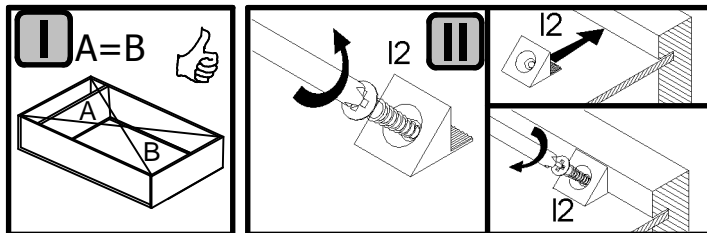
2



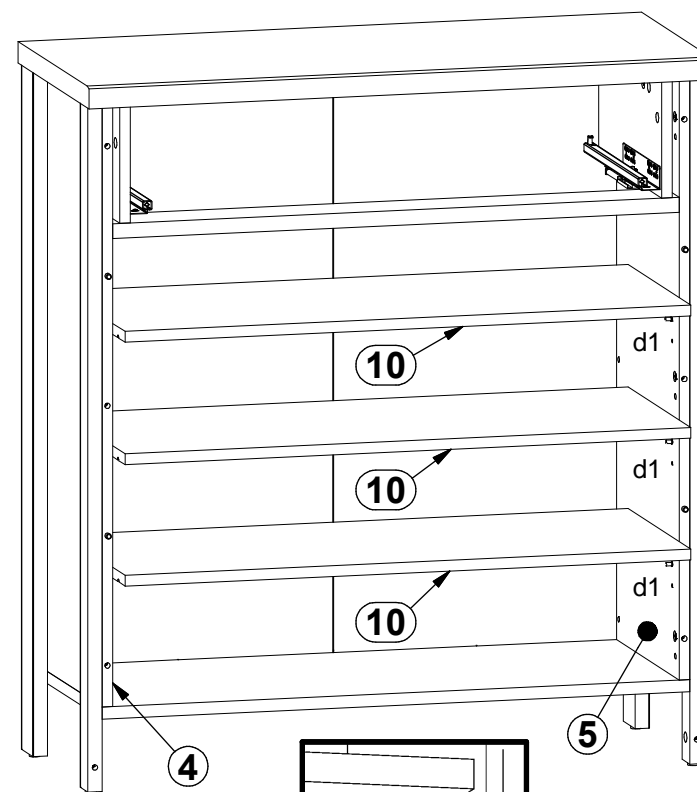
3



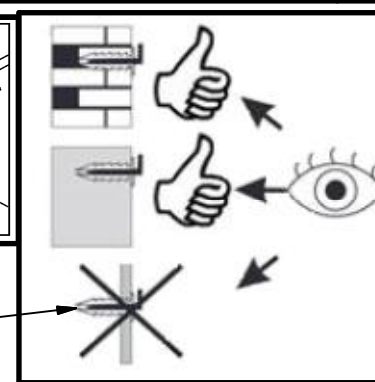
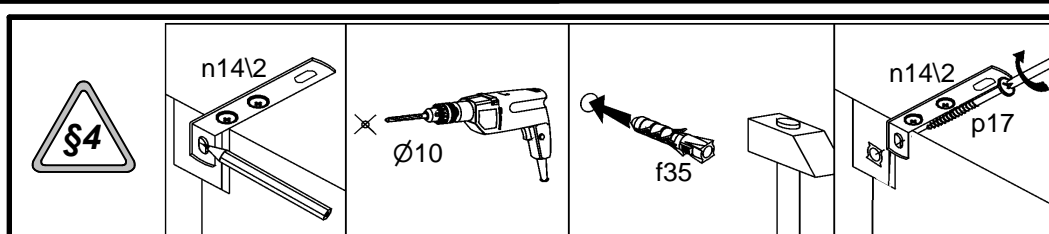
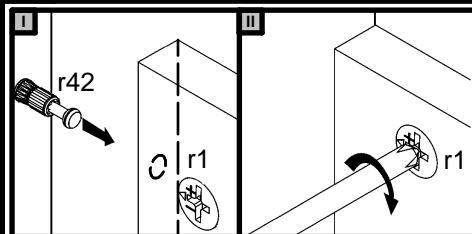




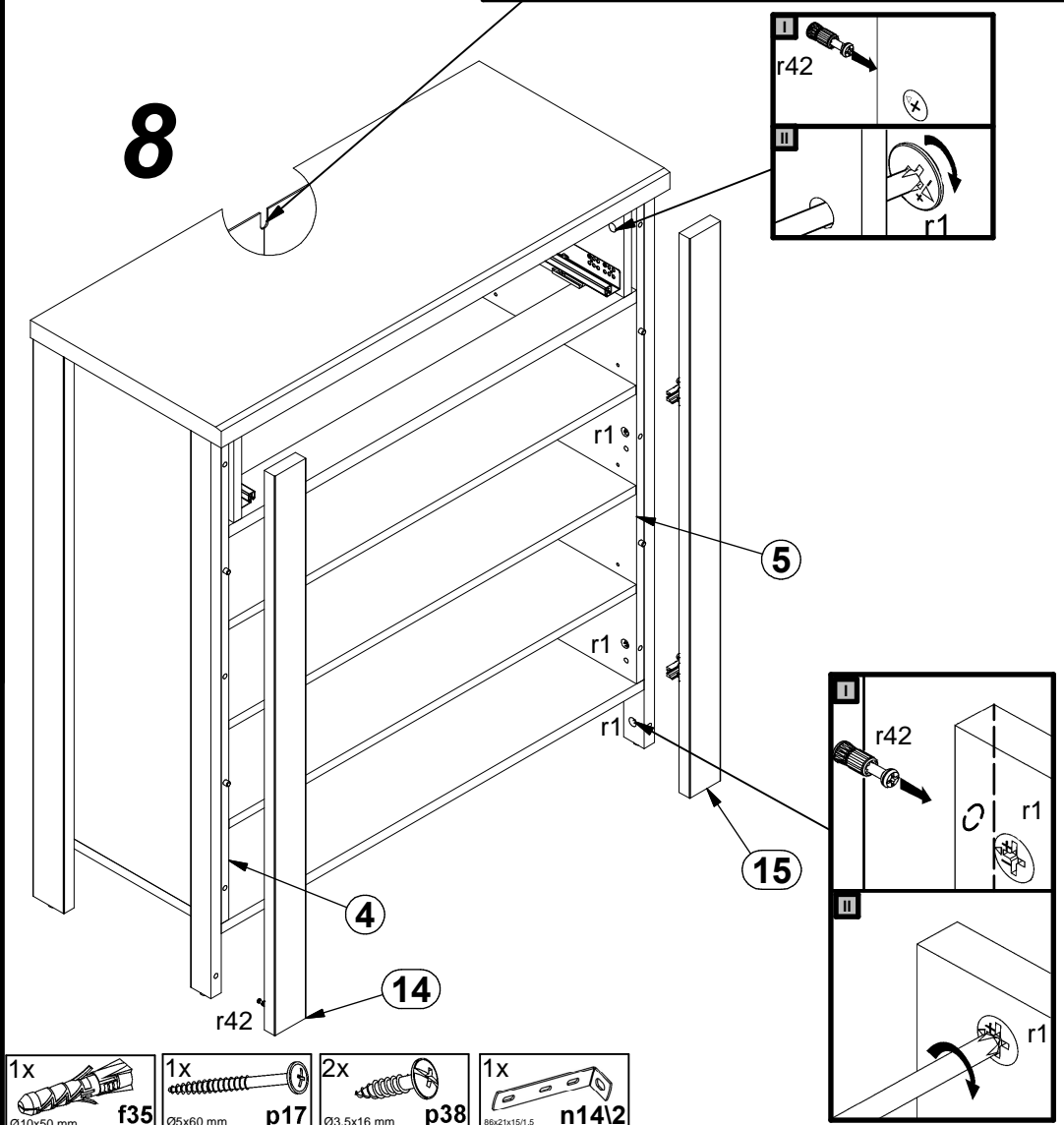
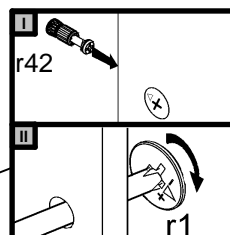
7



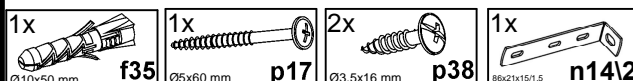
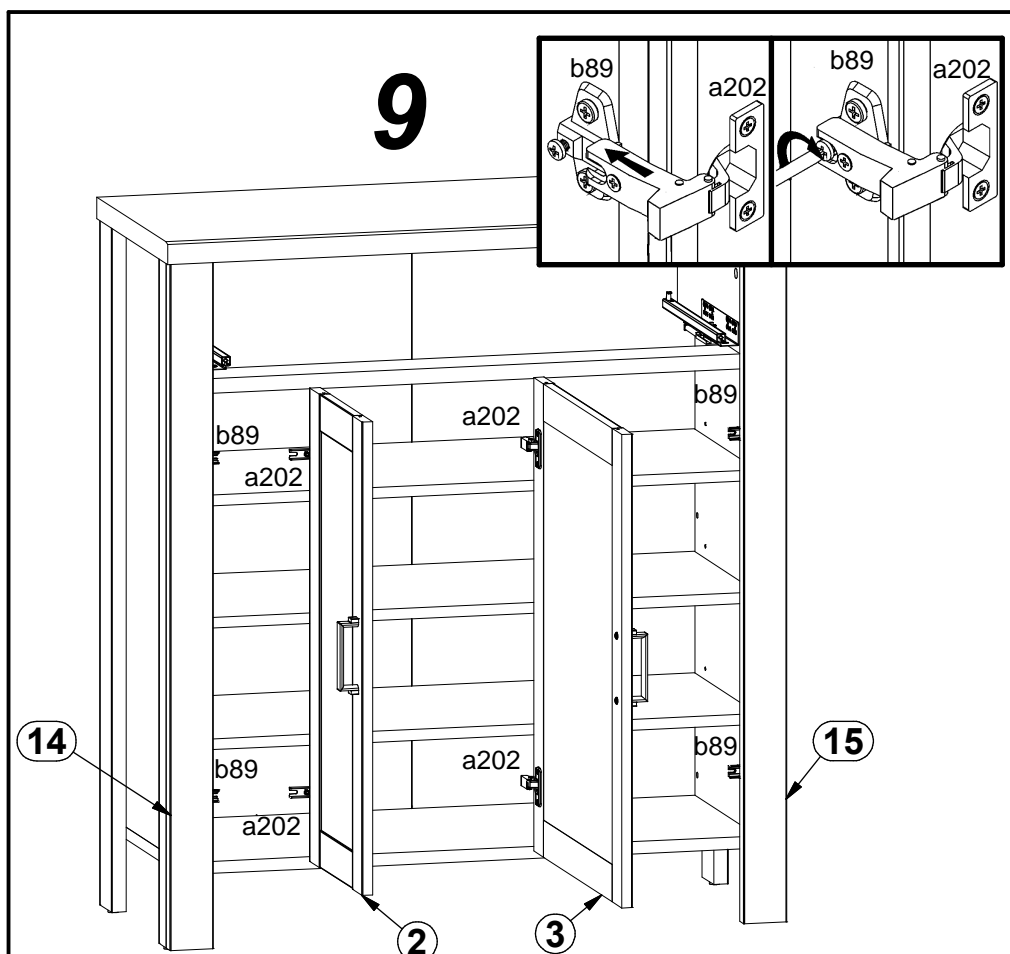
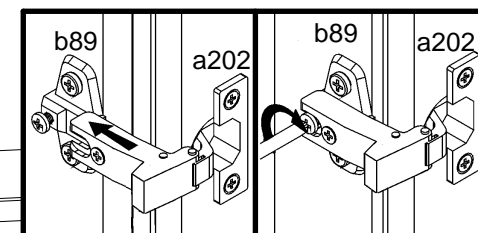




8



9



**I**

4x r42

r42

r42

r42

§6

§7

10

**II**

4x f25  
Ø6.5x40 mm

f25

f25

f25

20

21

19

**III**

1

c453

j30

r42

r15

20

19

18

21

r42

r15

1

1x c453

2x j30  
M4x22 mm

4x r15  
Ø12x10.5 mm #12

r15

r15

r42

r15

**IV**

21

18

19

20

p25

t25

p38

p38

p38

p35

1

1x t25  
300 mm

8x p38  
Ø3.5x16 mm

1x p25  
Ø3.5x16 mm

1x p35  
Ø3.5x10 mm

p38

8 mm

p25

t25

p35

t25

p35

