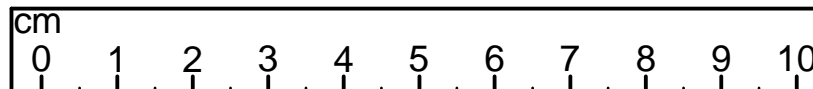
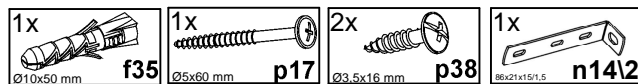
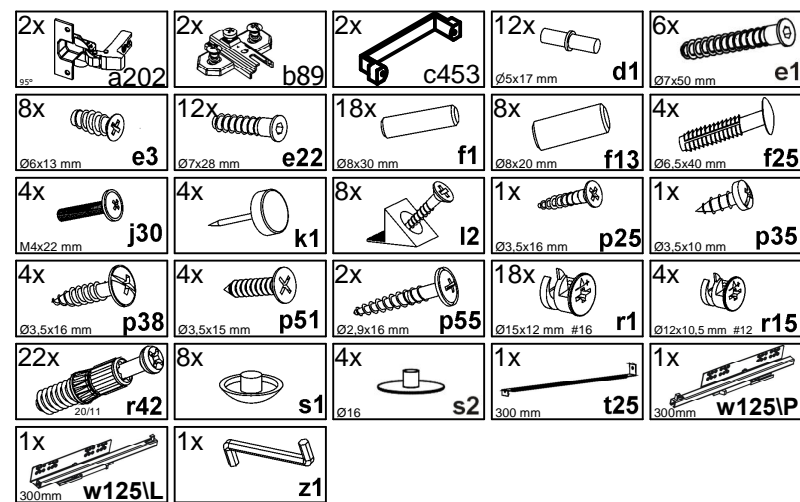
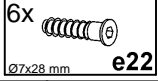
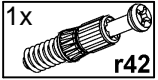
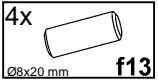
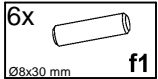
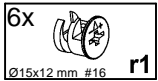
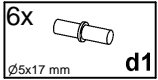
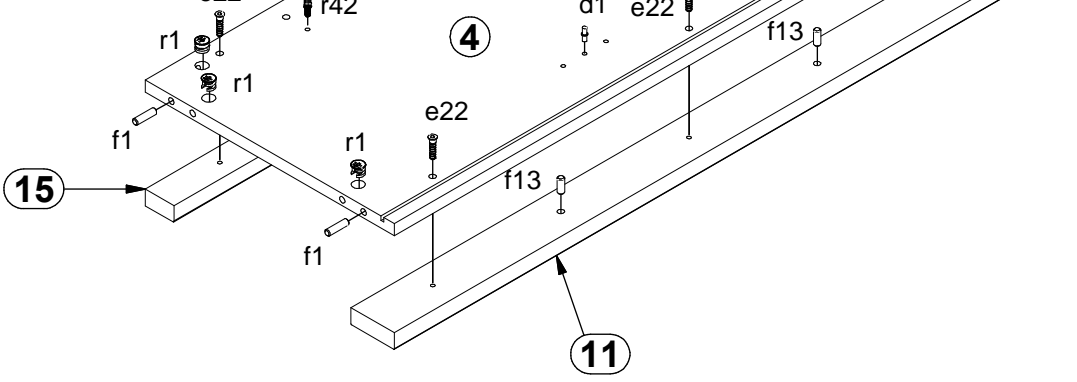
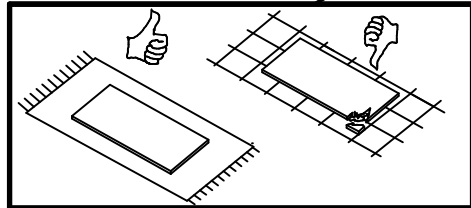
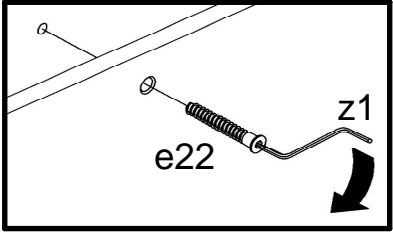
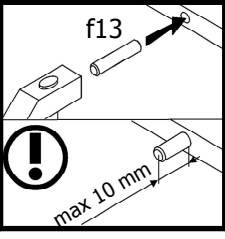
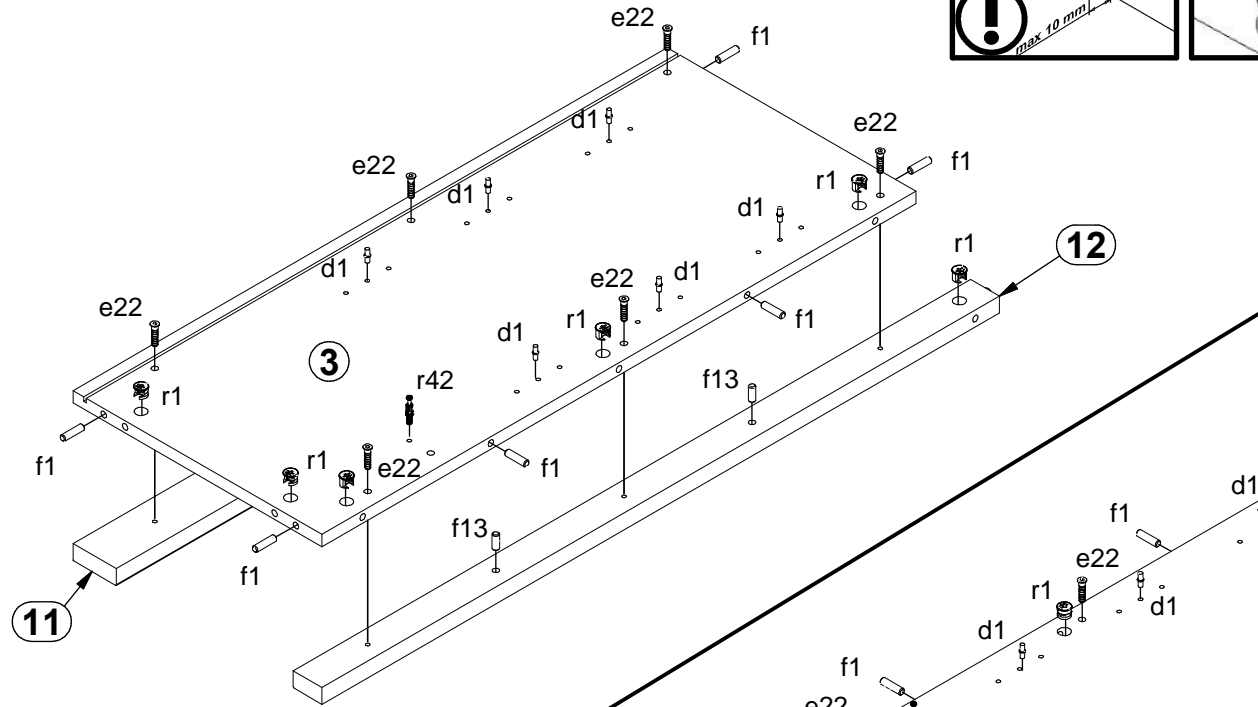
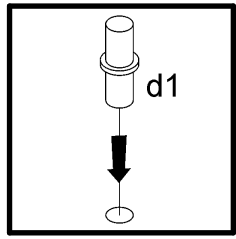
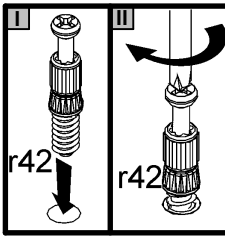
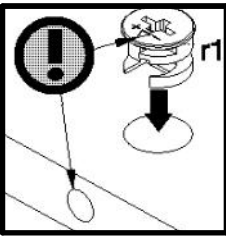
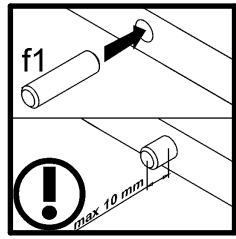
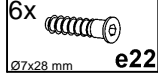
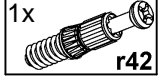
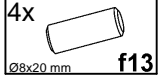
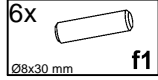
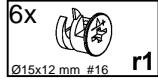
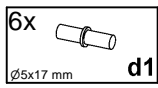
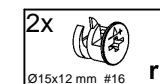
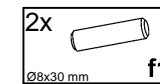
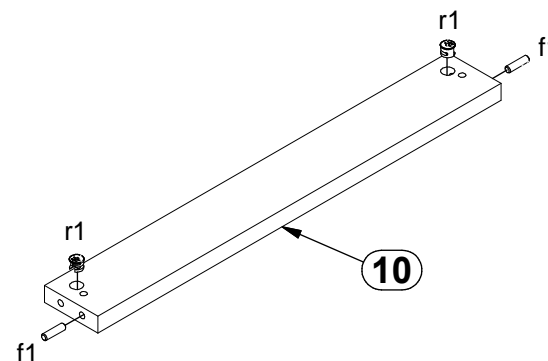
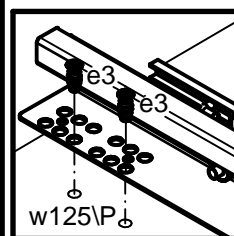
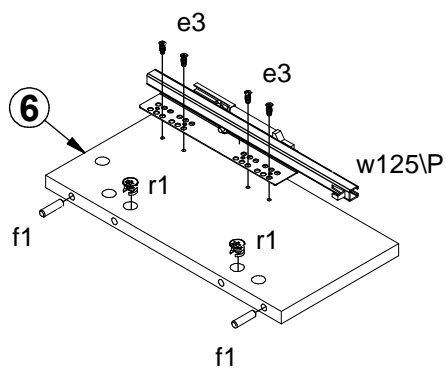
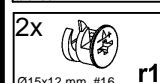
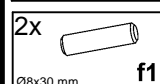
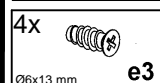
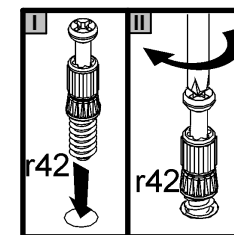
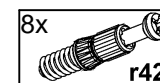
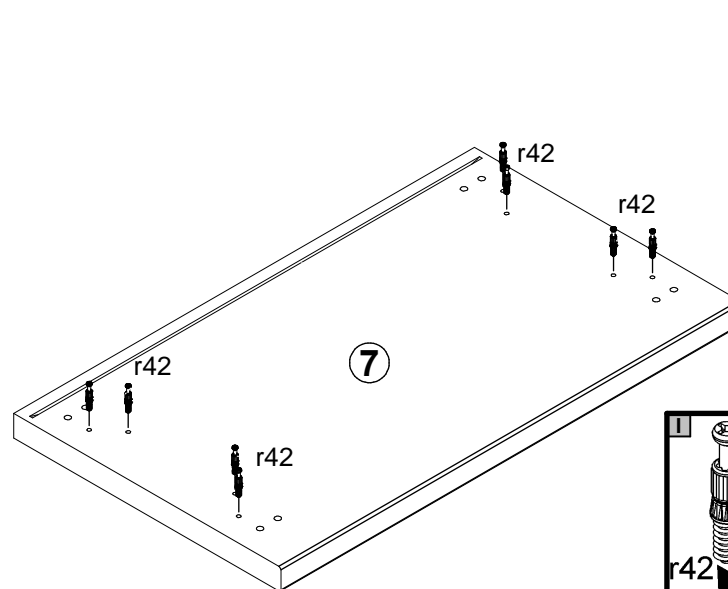
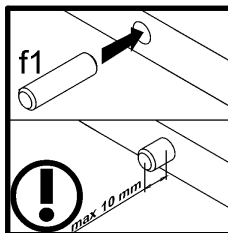
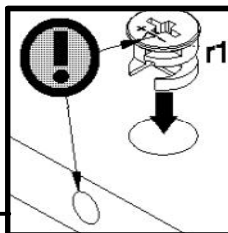
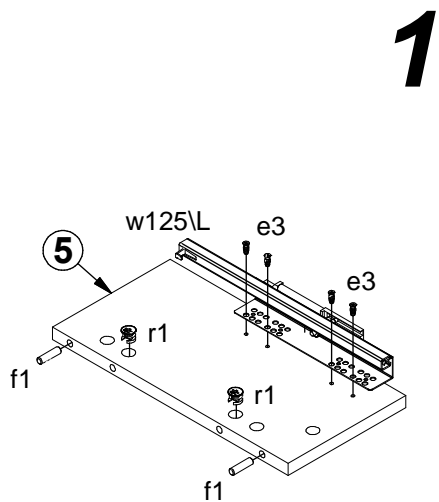
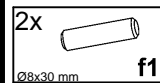
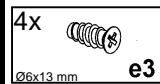
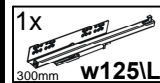
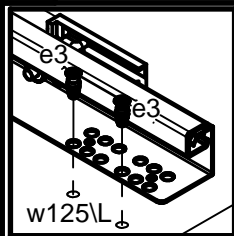


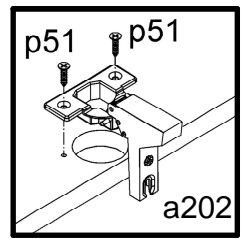
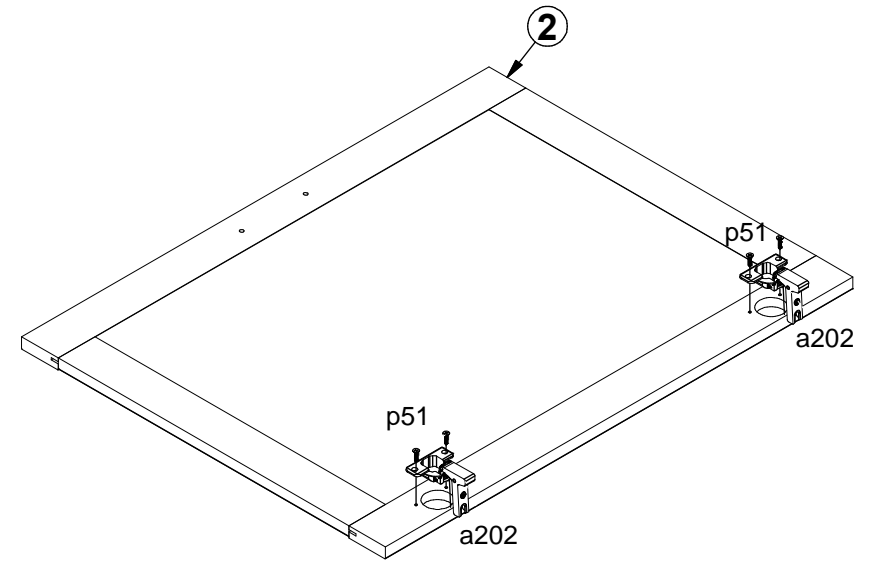
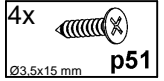
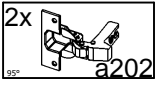
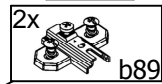
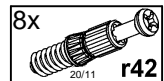
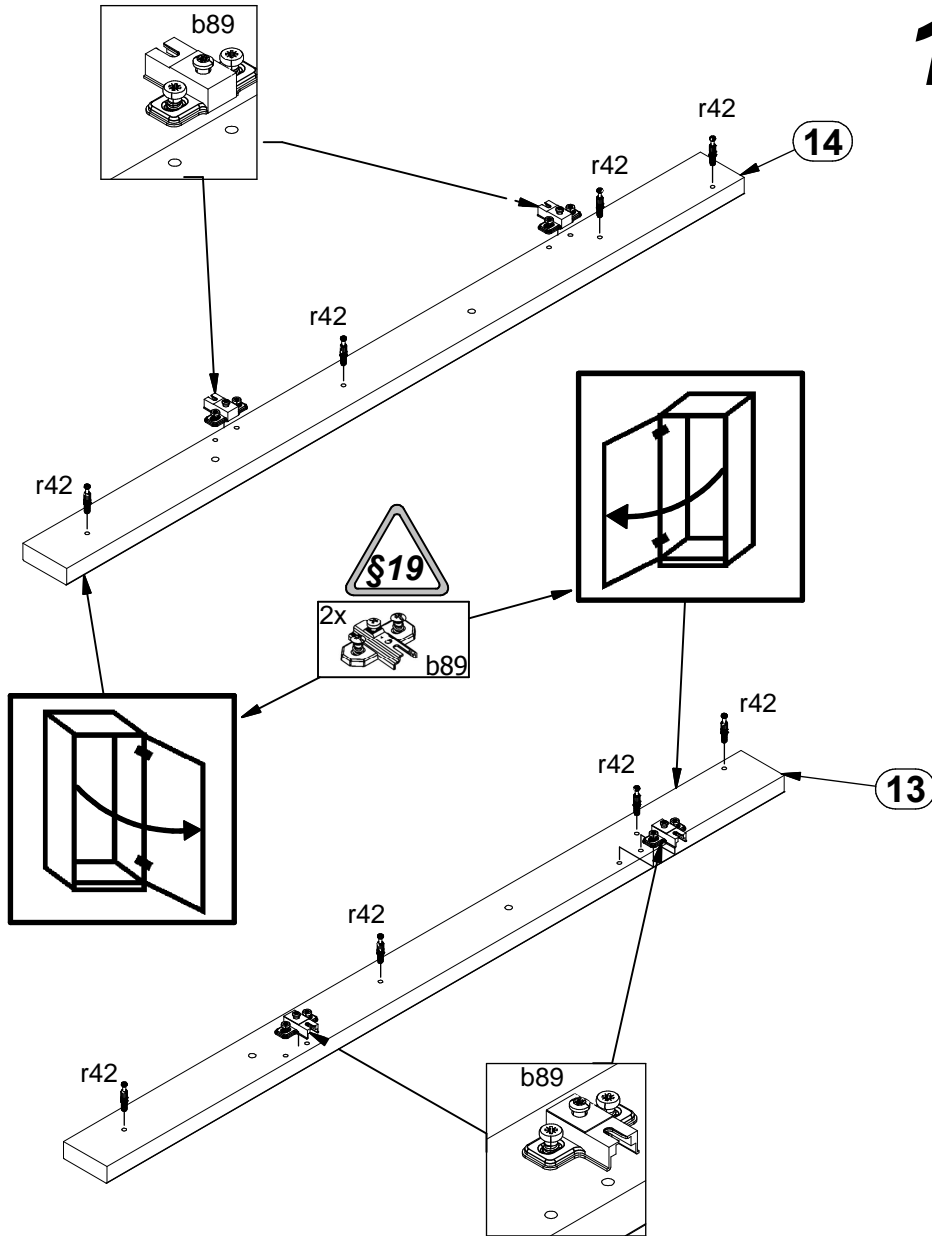
A	B	C1	C2	C3	D
1	M249-0001	545	176	16	2/2
2	M249-0002	700	545	16	2/2
3	M249-1001	890	373	16	1/2
4	M249-1002	890	373	16	1/2
5	M249-1003	176	353	16	1/2
6	M249-1004	176	353	16	1/2
7	M249-2001	690	400	32	2/2
8	M249-2002	636	373	18	2/2
9	M249-3004	603,	353	16	1/2
10	M249-4001	604,	80	22	2/2
11	M249-5005	1015,	65	22	1/2
12	M249-5006	1015,	43	22	1/2
13	M249-5007	1015,	65	22	1/2
14	M249-5008	1015,	65	22	1/2
15	M249-5009	1015,	43	22	1/2
16	M249-9301	900	615	2,5	1/2
17	WSP-9310	521	308	2,5	1/2
18	ZQ6-5100	511	97	15	2/2
19	ZQ6-517	300	110	12	1/2
20	ZQ6-518	300	110	12	1/2

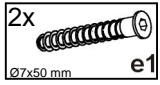




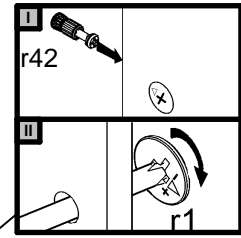
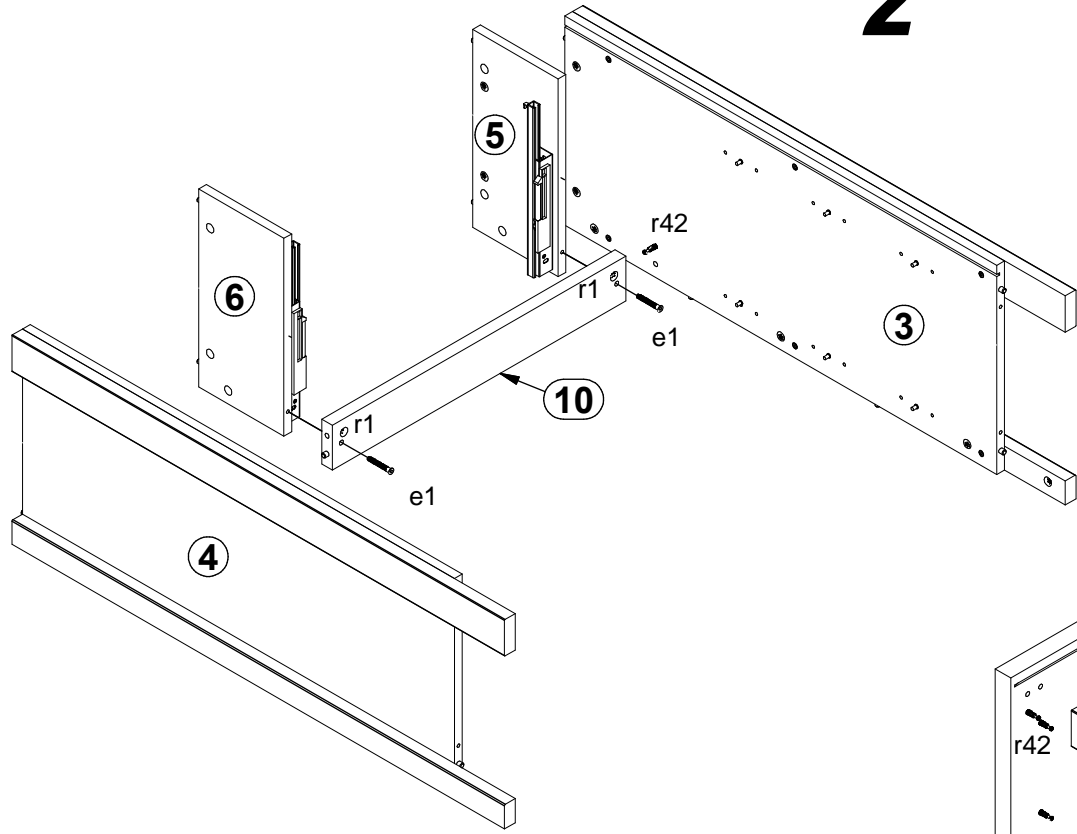
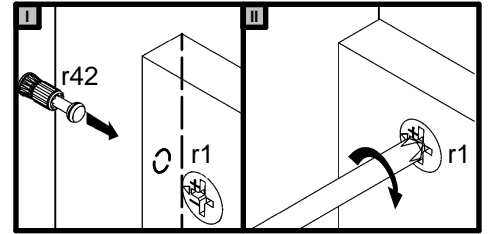


1

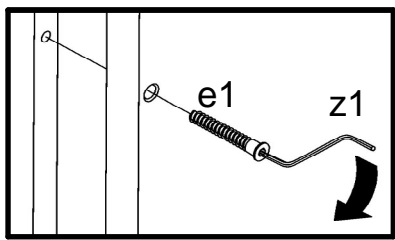
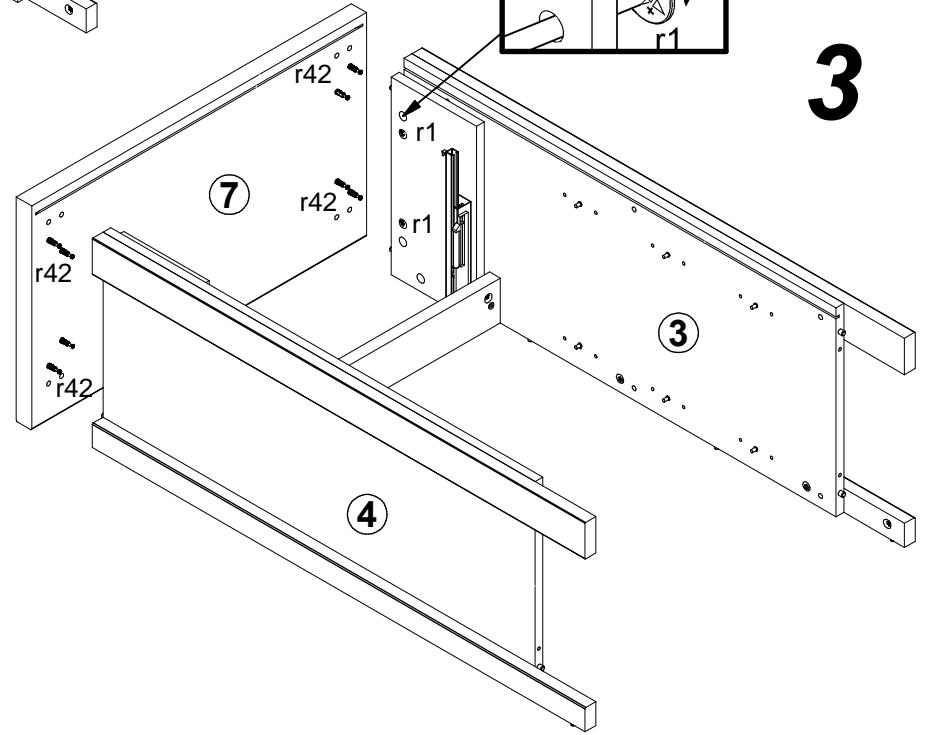


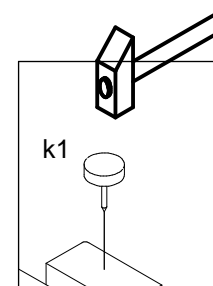
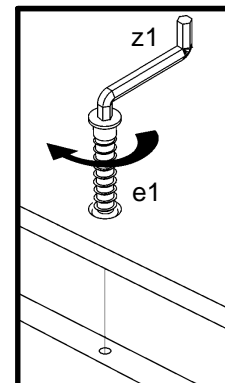
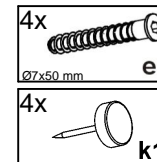
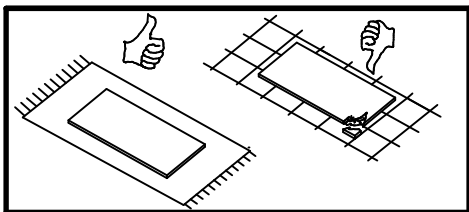


2

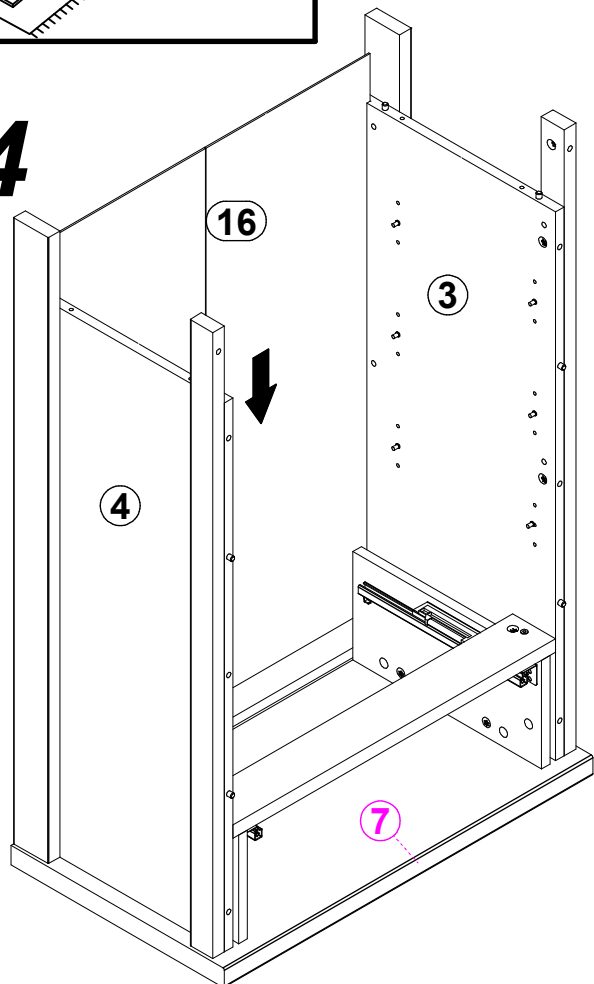


3

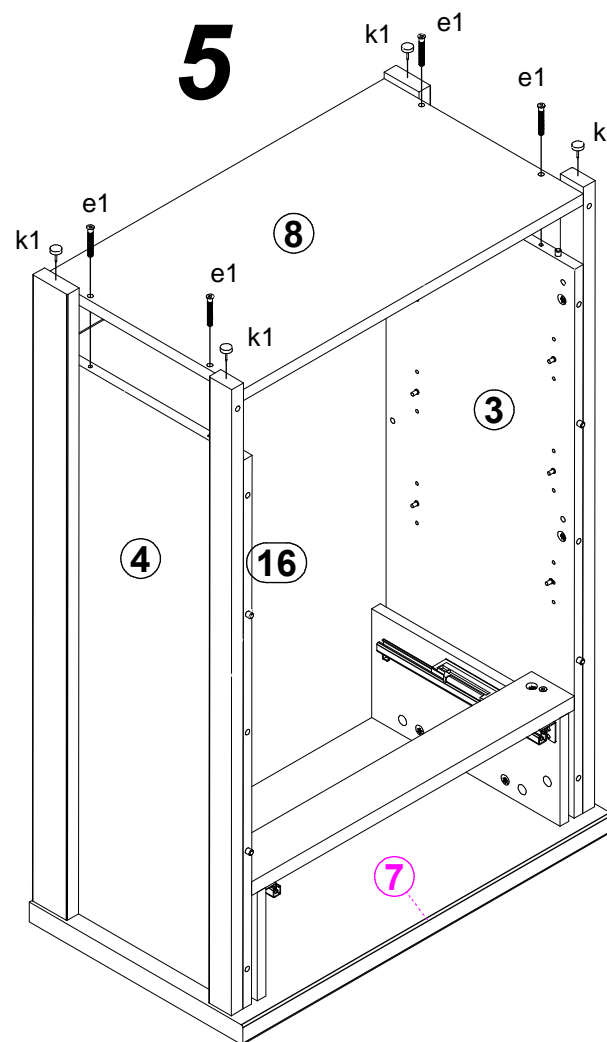


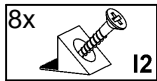
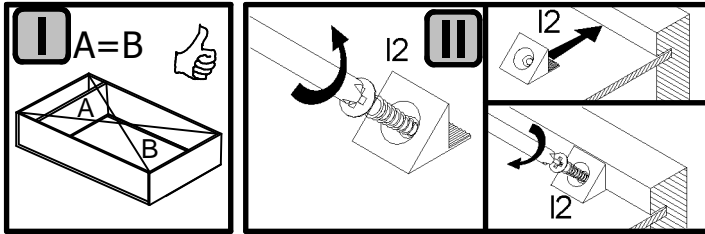


4

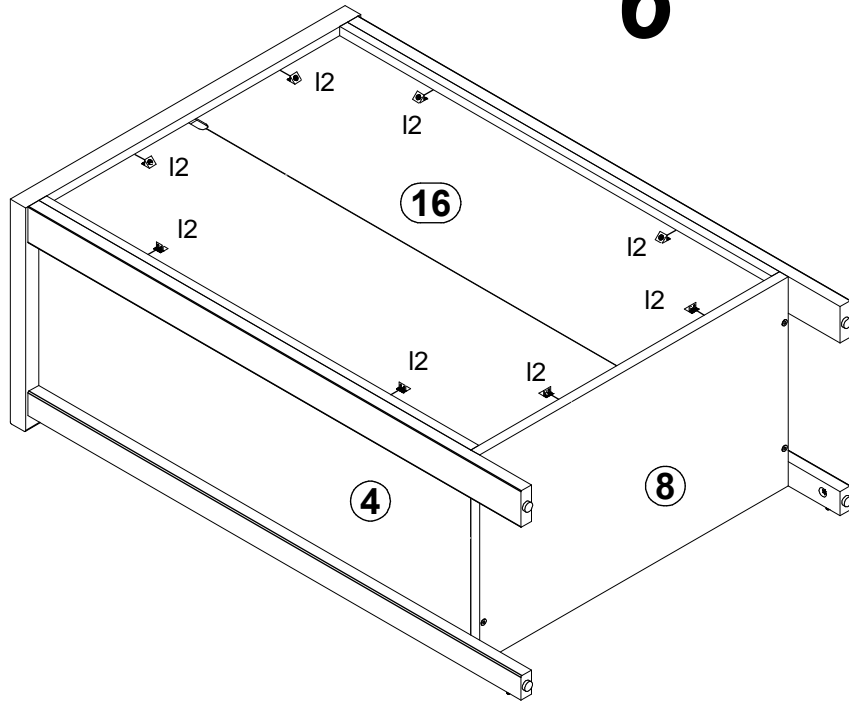


5

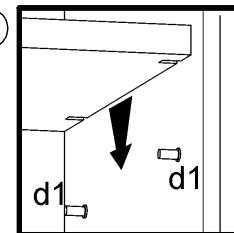
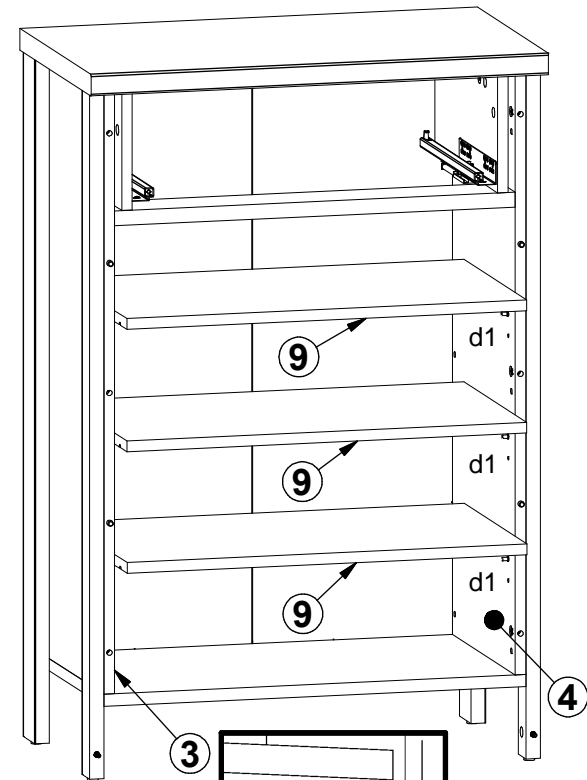


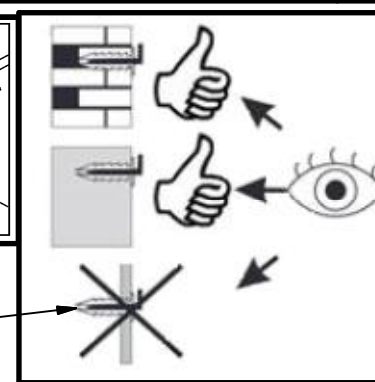
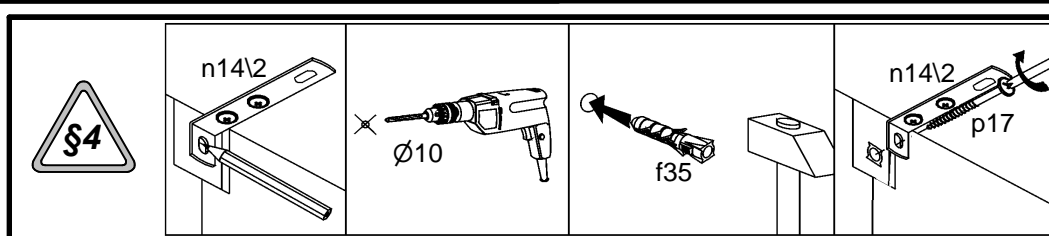
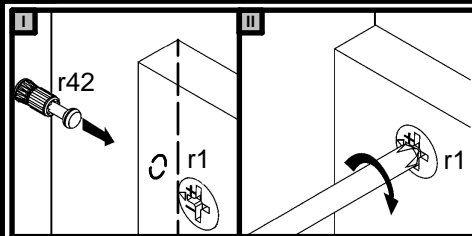


6

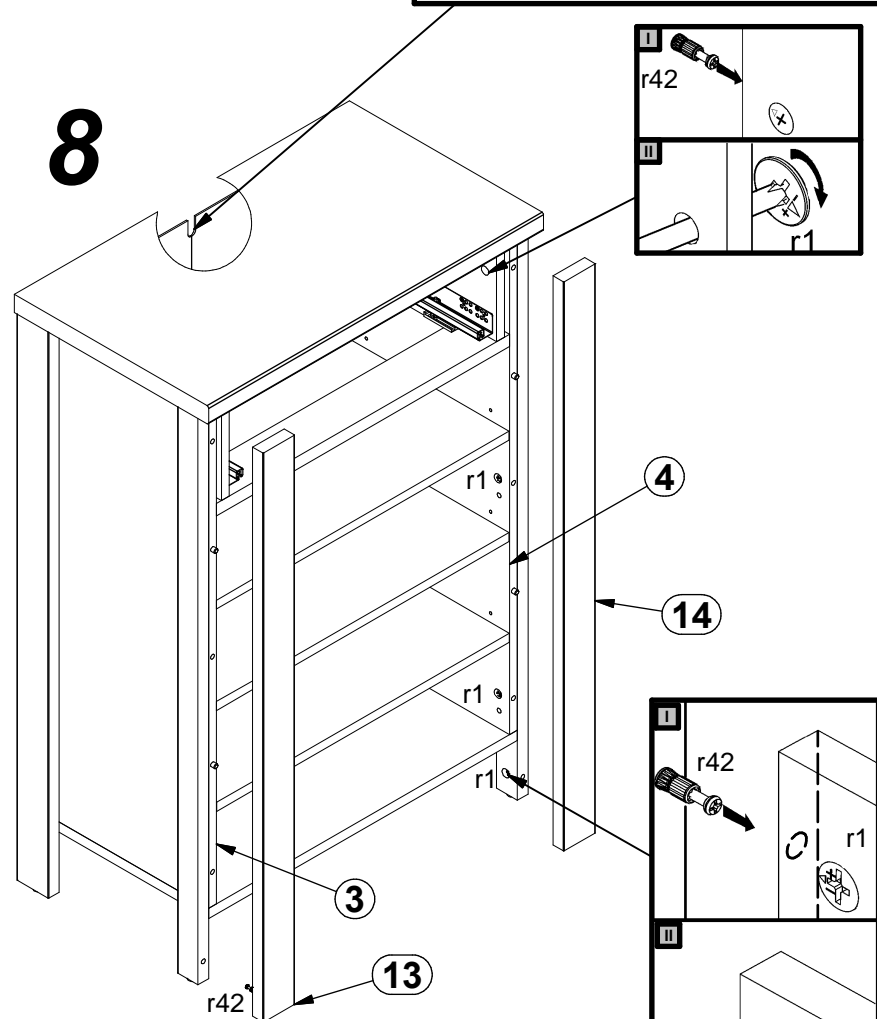
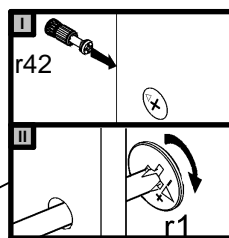


7

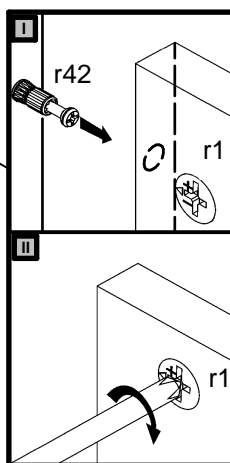
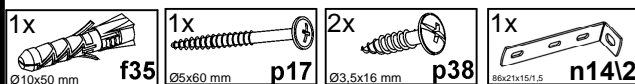
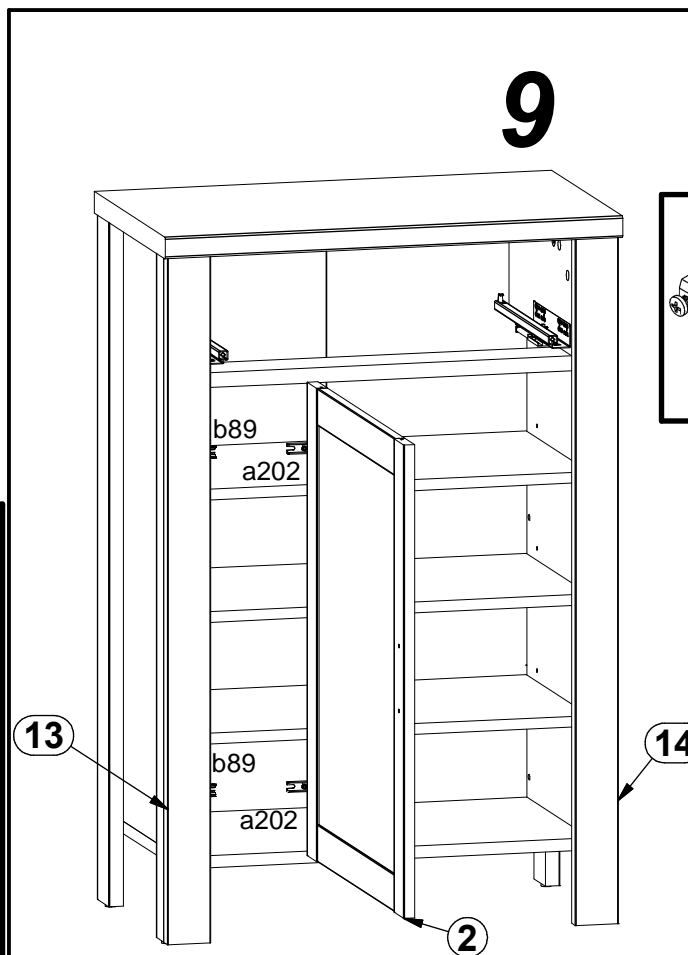
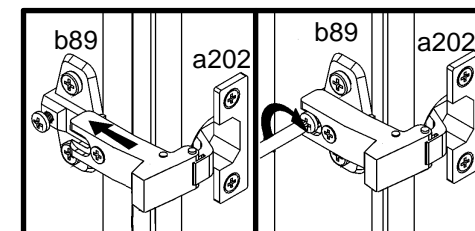




8



9



10

