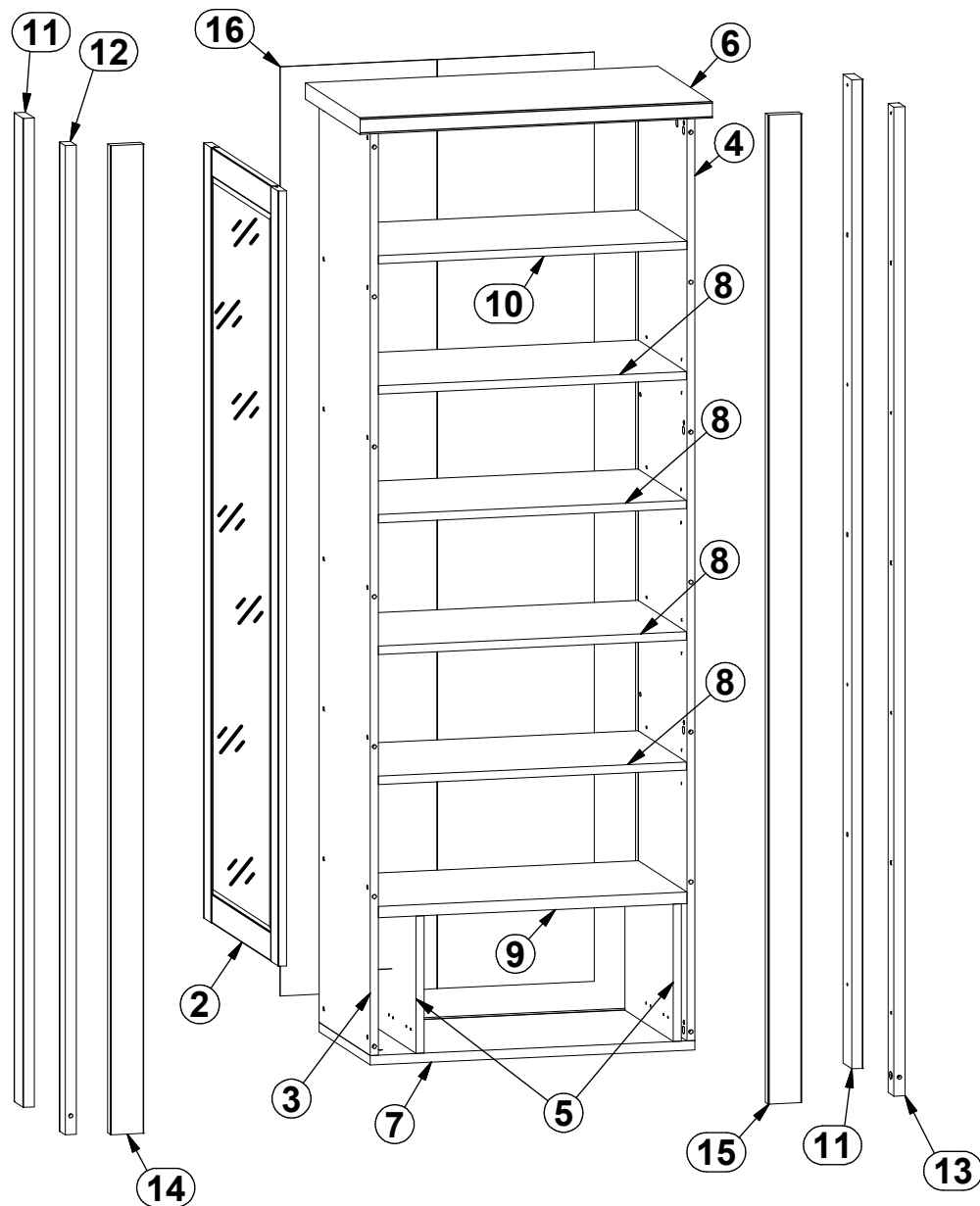
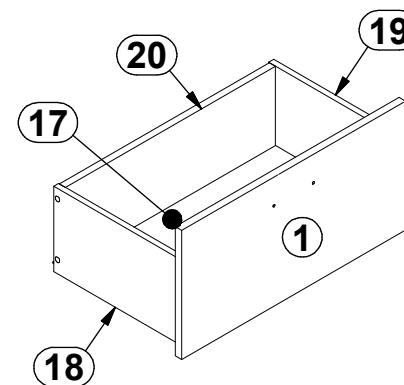


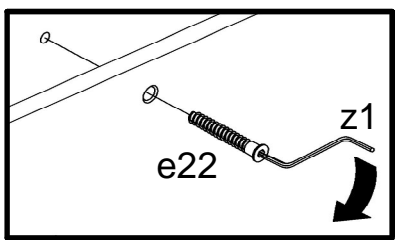
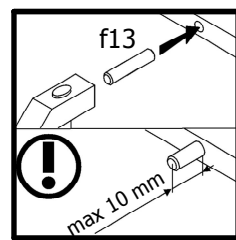
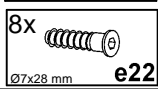
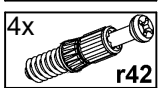
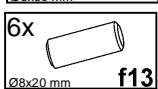
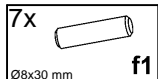
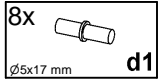
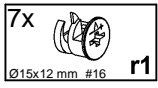
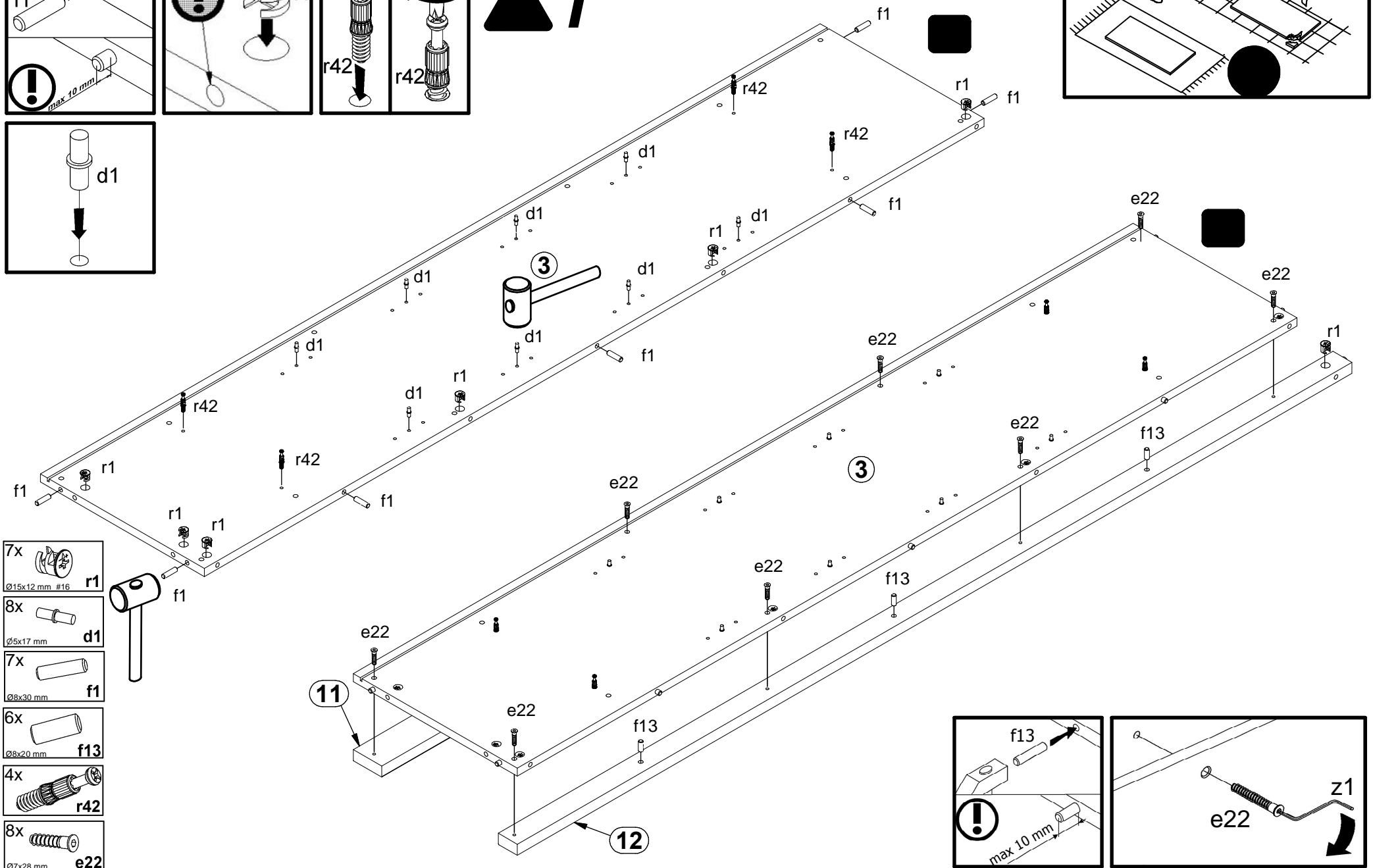
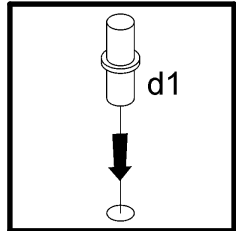
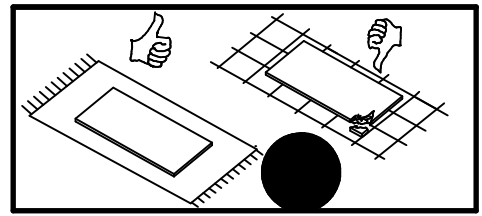
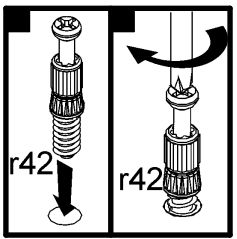
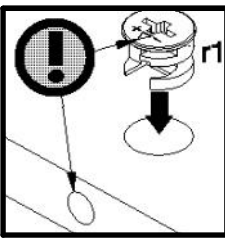
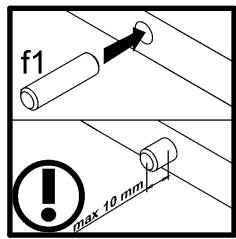
3x a202	3x b89
2x c453	16x d1
4x e1	8x e3
16x e22	30x f1
12x f13	4x f25
4x j30	4x k1
12x l2	1x m6
1x p25	4x p27
1x p35	12x p38
6x p51	2x p55
22x r1	4x r15
26x r42	12x s1
10x s2	1x t25
1x w125L	1x w125P
1x z1	

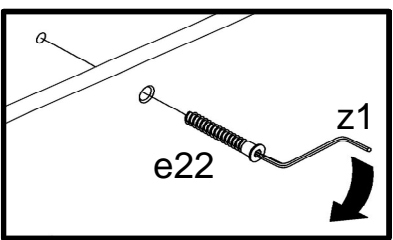
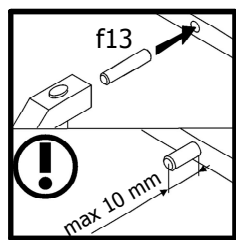
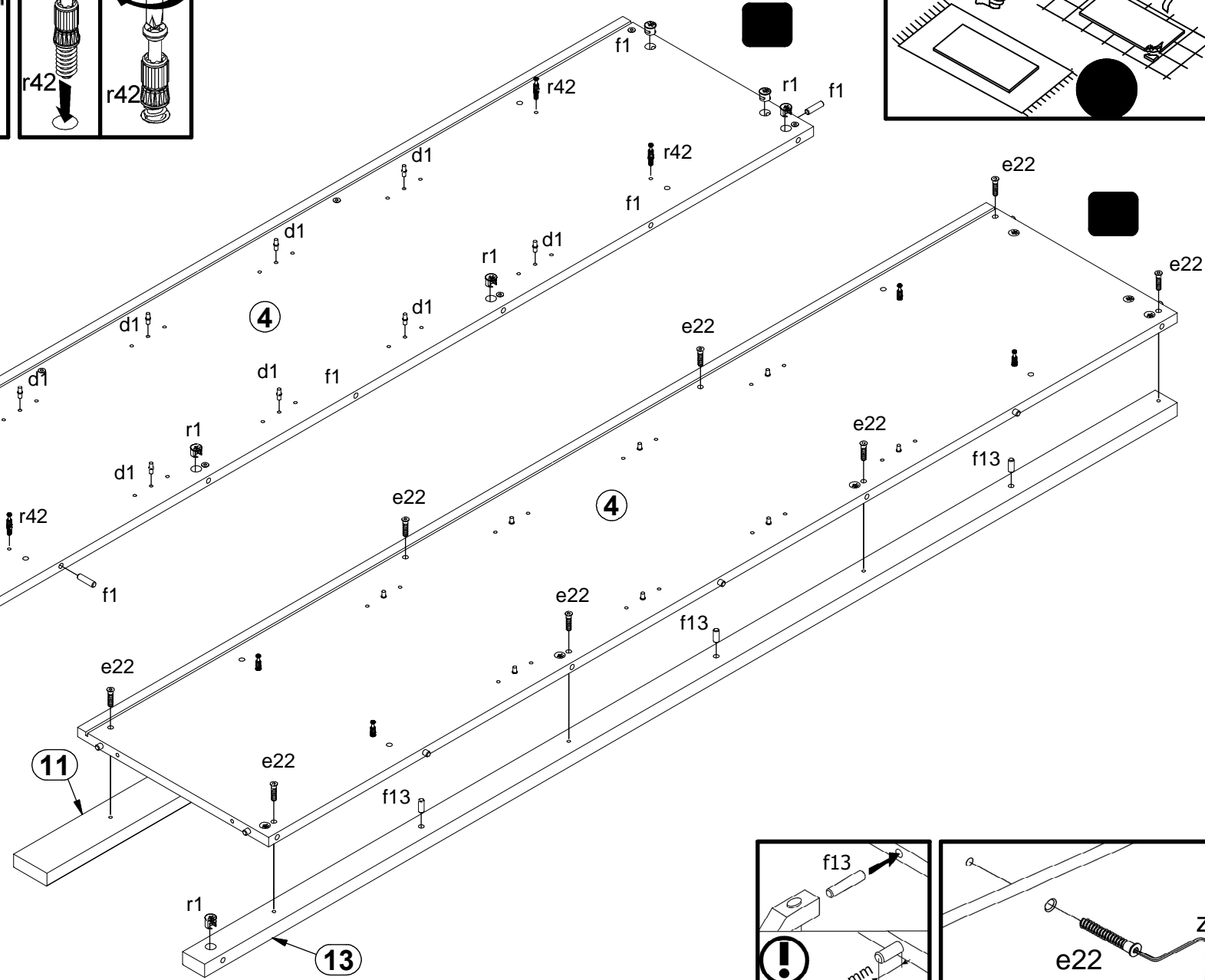
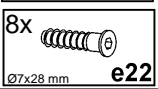
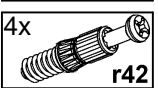
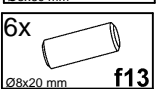
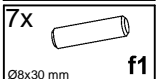
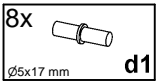
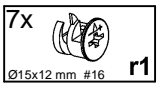
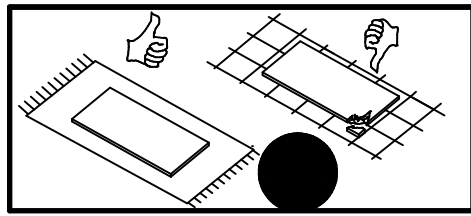
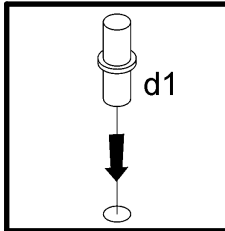
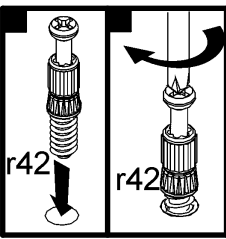
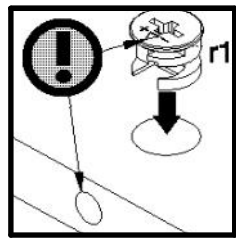
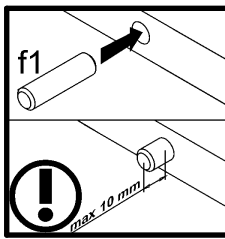


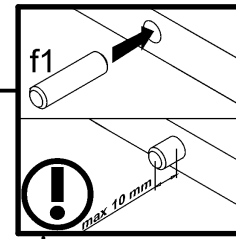
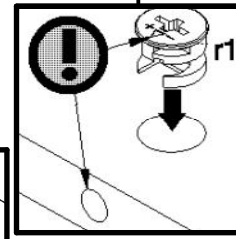
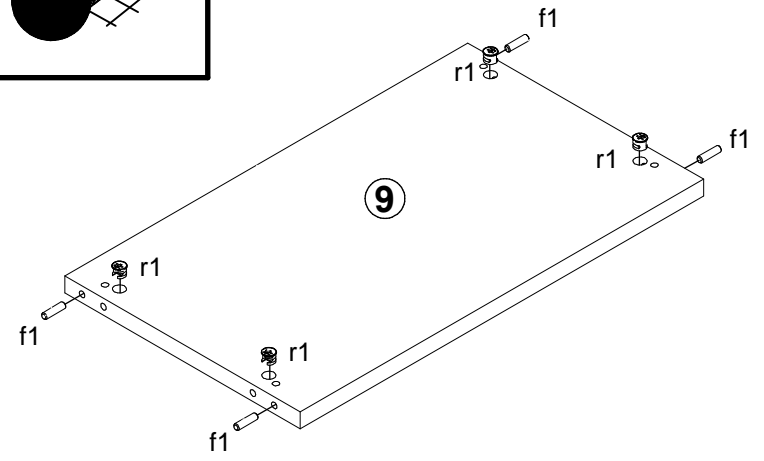
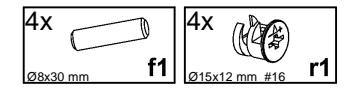
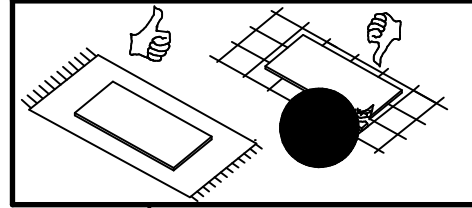
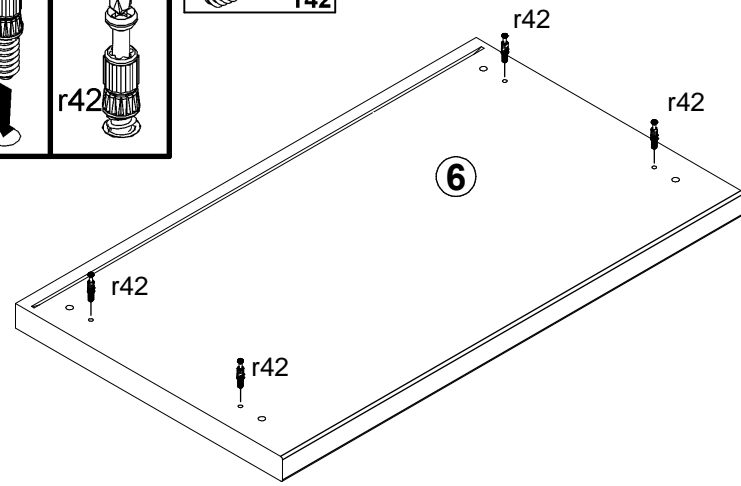
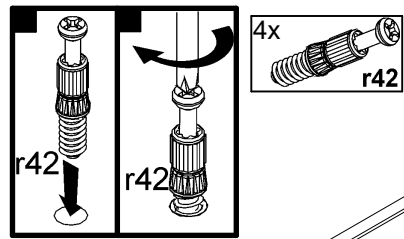
A	B	C1	C2	C3	D
1	M249-0007	545	272	16	3/3
2	M249-0008	1489,	545	16	3/3
3	M249-1009	1775	373	16	2/3
4	M249-1010	1775	373	16	2/3
5	M249-1011	264,	353	16	1/3
6	M249-2007	690	400	32	1/3
7	M249-2008	636	373	18	1/3
8	M249-3004	603,	353	16	1/3
9	M249-3007	604	353	22	1/3
10	M249-3008	604	353	16	1/3
11	M249-5016	1900	65	22	2/3
12	M249-5017	1900,	43	22	2/3
13	M249-5018	1900,	43	22	2/3
14	M249-5019	1900	65	22	2/3
15	M249-5020	1900	65	22	2/3
16	M249-9303	1785	615	2,5	2/3
17	WSP-9310	521	308	2,5	2/3
18	ZQ6-501	300	180	12	2/3
19	ZQ6-502	300	180	12	2/3
20	ZQ6-5103	511	167	15	2/3



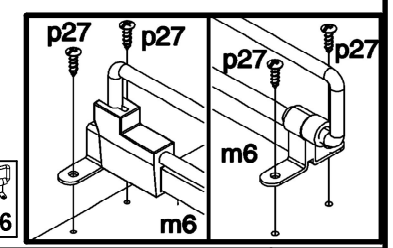
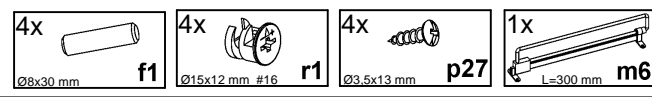
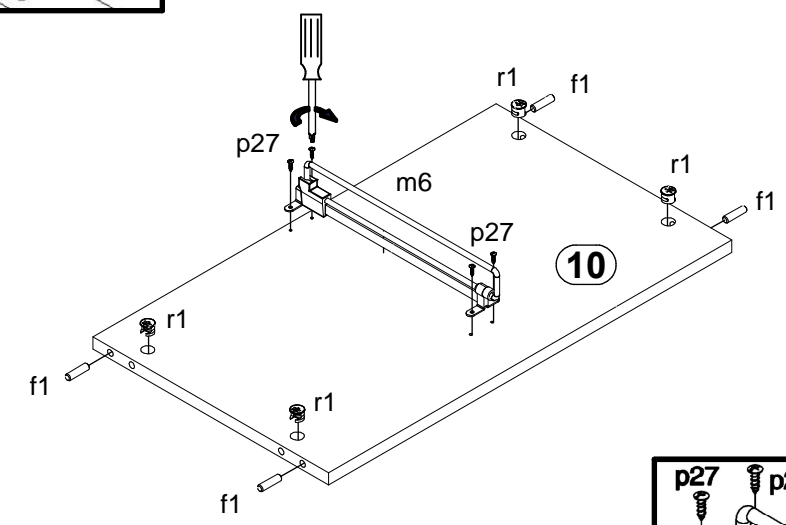
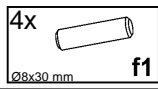
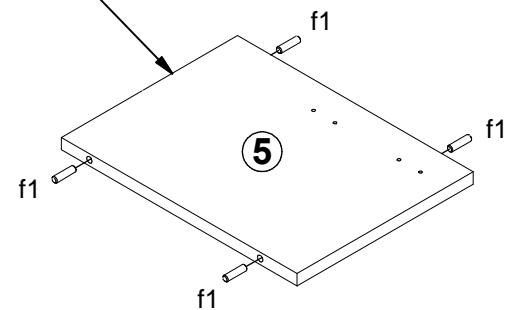
1x f35	1x p17	2x p38	1x n14/2
-----------	-----------	-----------	-------------

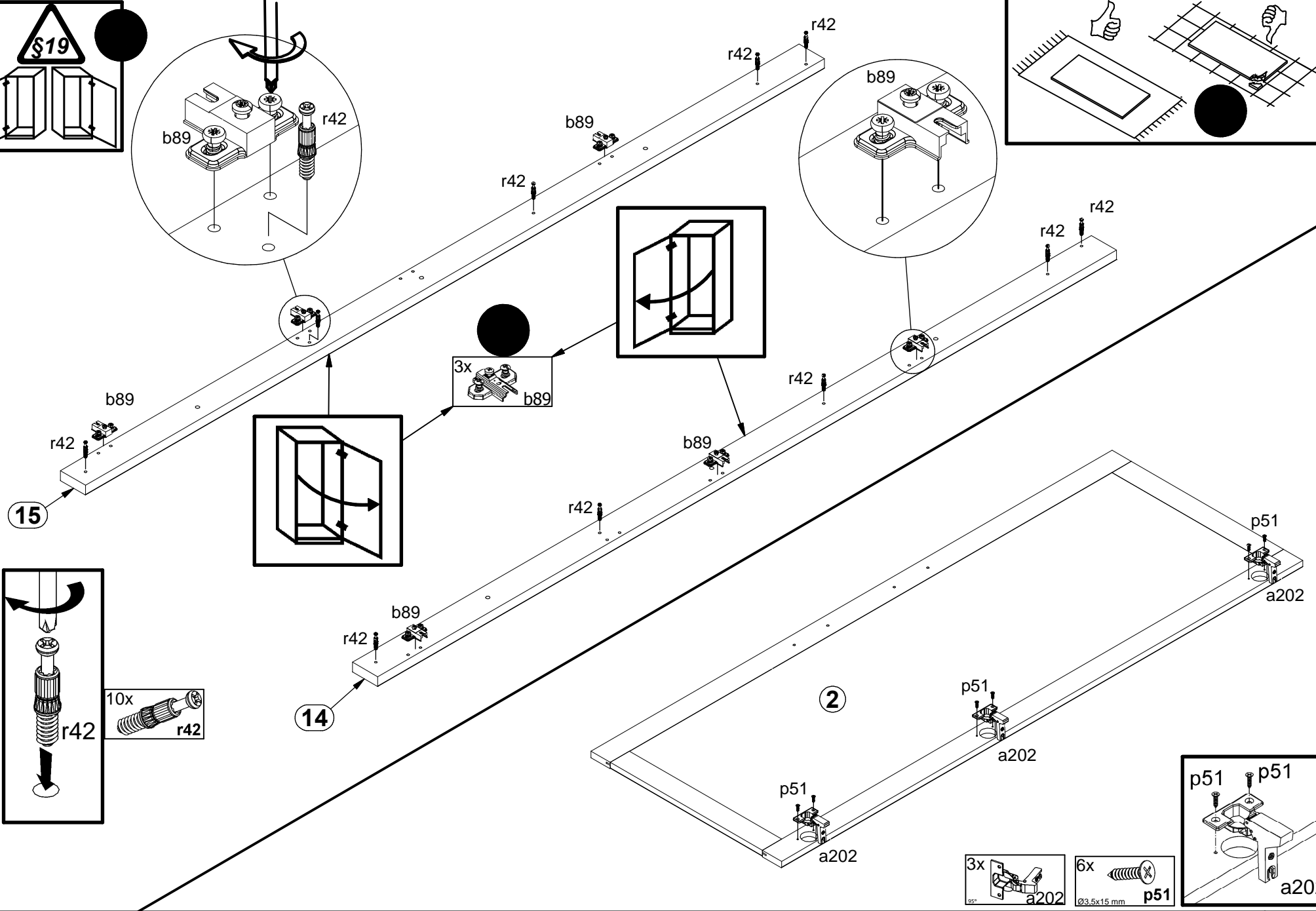
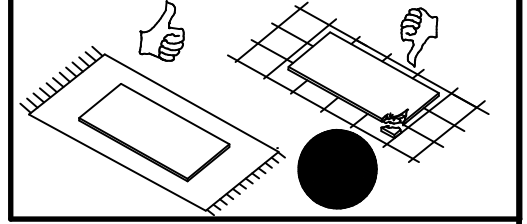
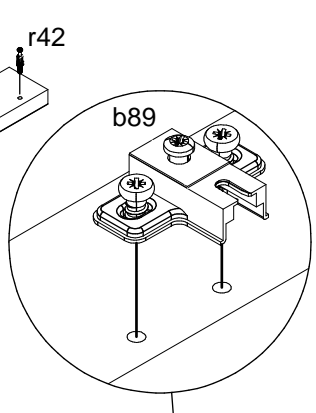
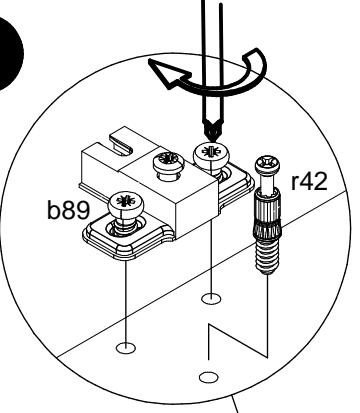
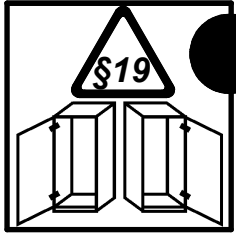






2x

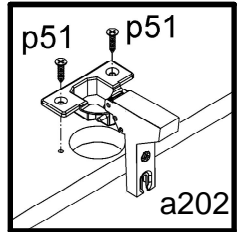
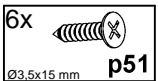
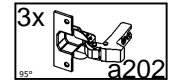
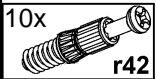
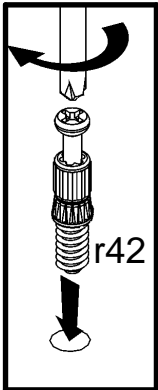




15

14

2



4x r42

\$6

\$7

2

\$6

\$7

r42

r42

r42

r42

1

4x f25  
Ø6.5x40 mm

f25

f25

f25

f25

18

19

20

II

c453

j30

r42

r42

r15

r15

17

18

19

20

III

r15

r42

r15

1x c453

2x j30  
M4x22 mm

4x r15  
Ø12x10.5 mm #12

IV

p25

p38

p38

p35

17

18

20

t25

p35

p25

t25

p38

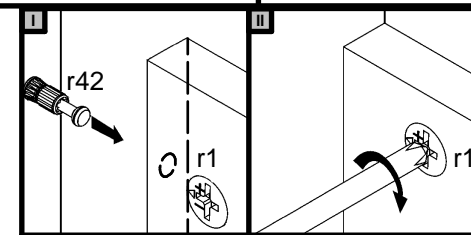
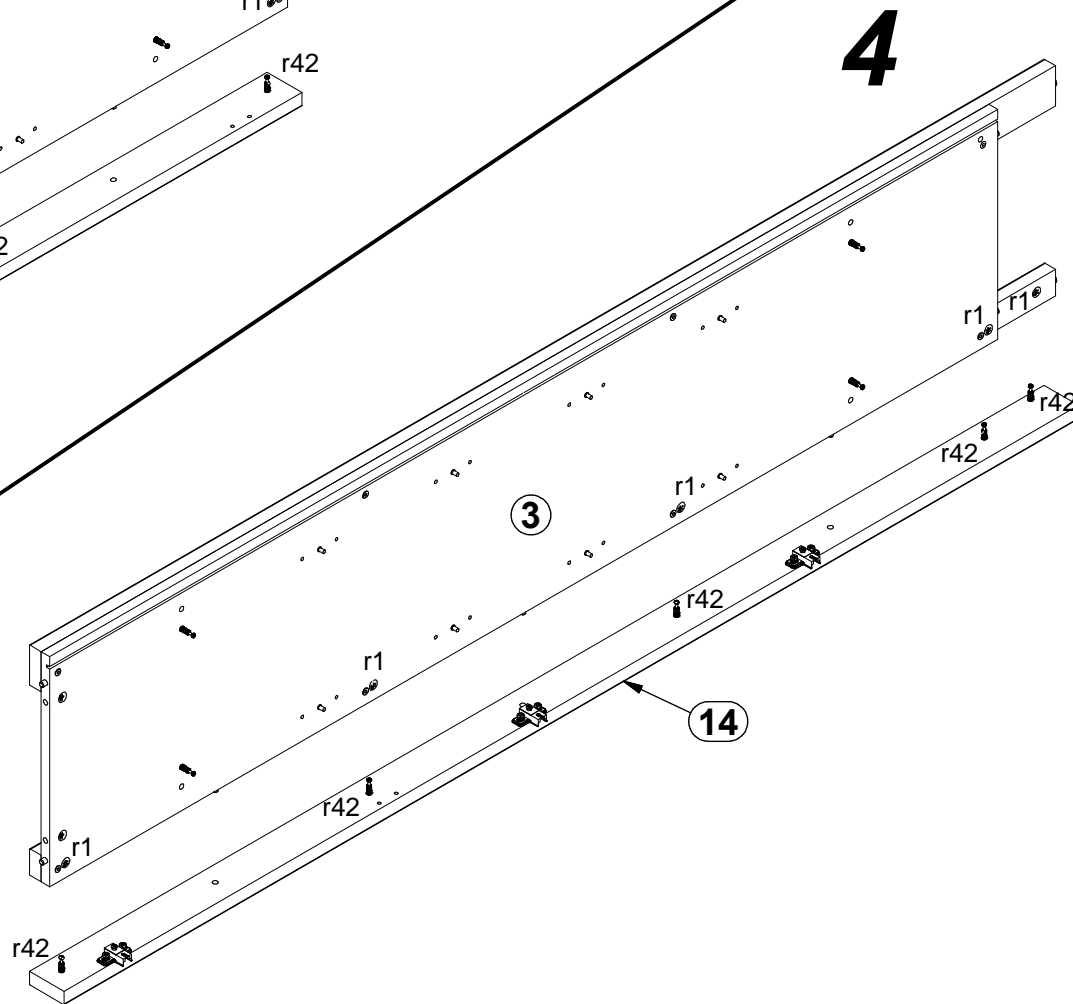
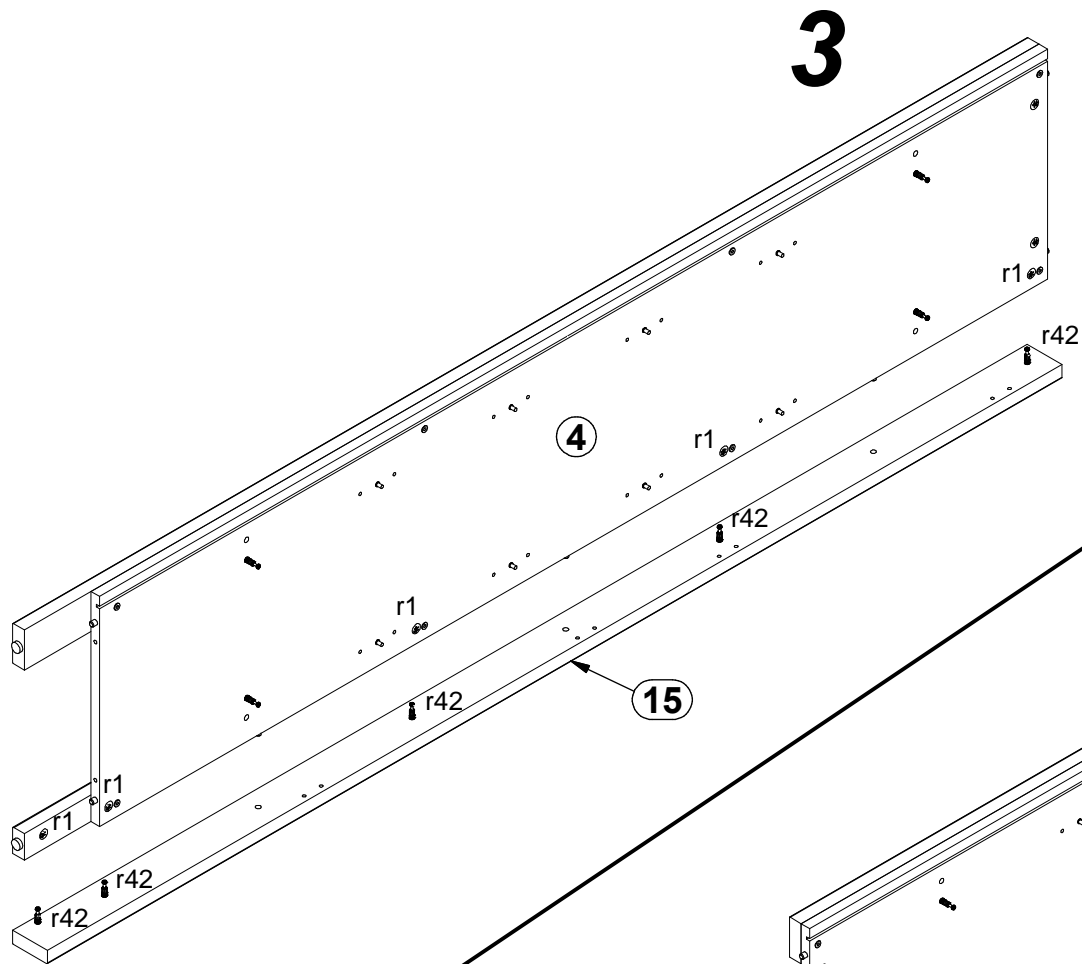
8 mm

1x t25  
300 mm

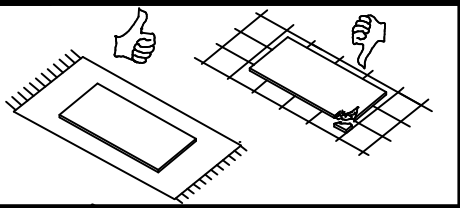
1x p25  
Ø3.5x16 mm

1x p35  
Ø3.5x10 mm

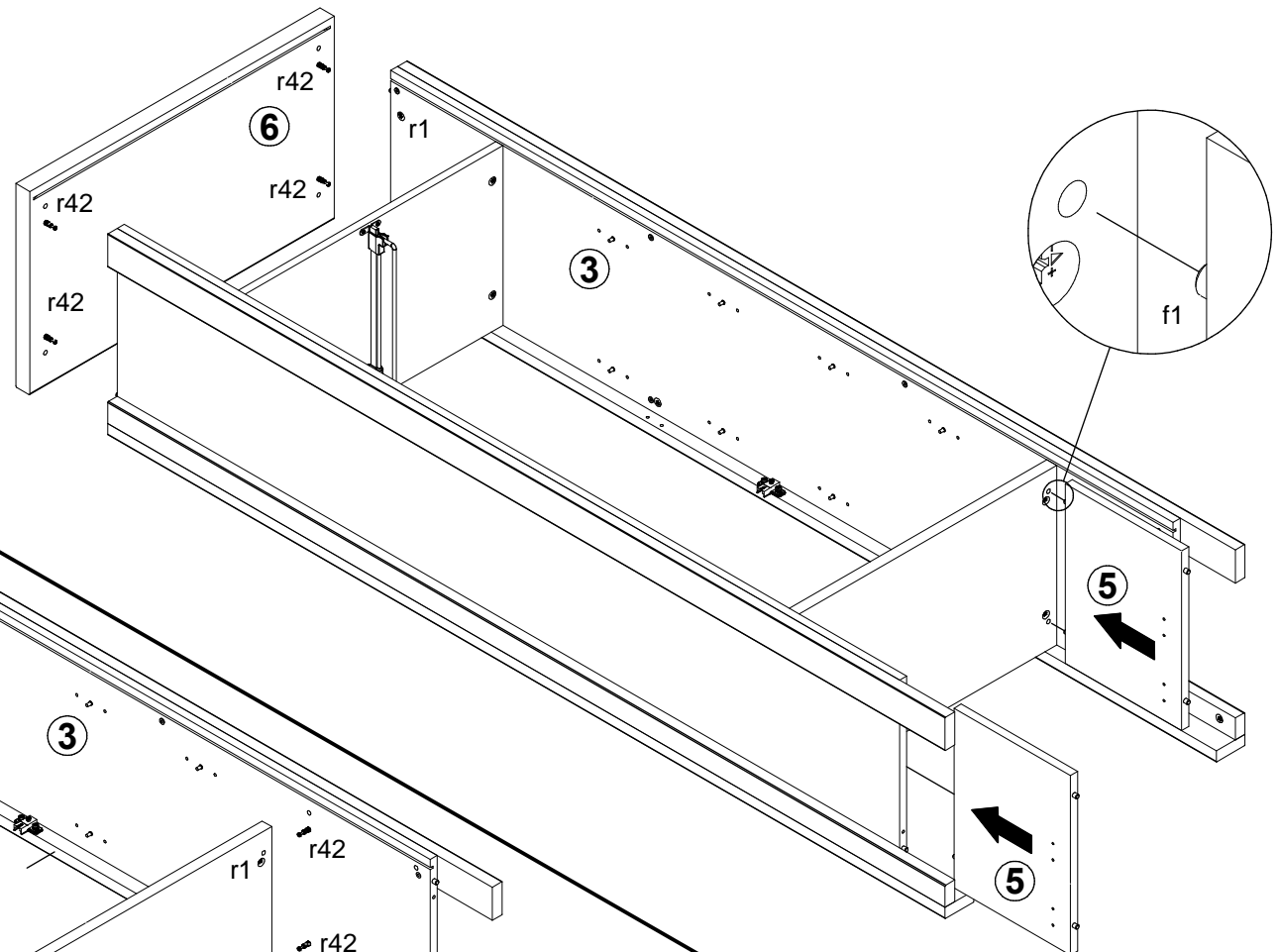
4x p38  
Ø3.5x16 mm



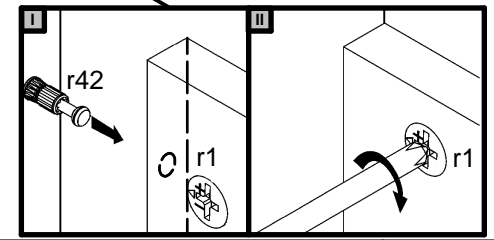
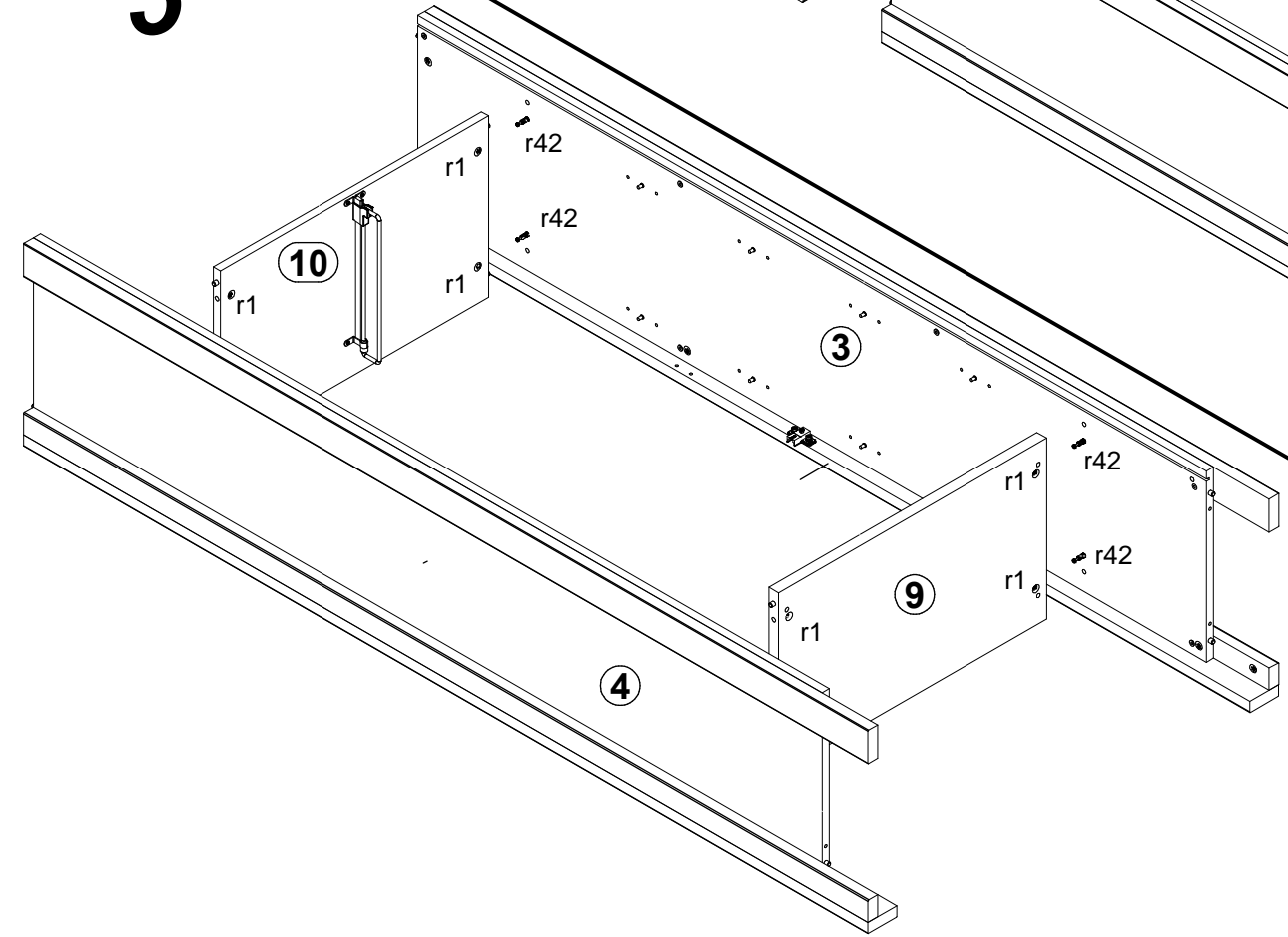




6



5

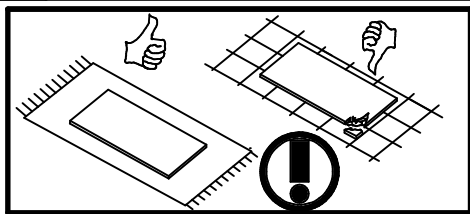


A

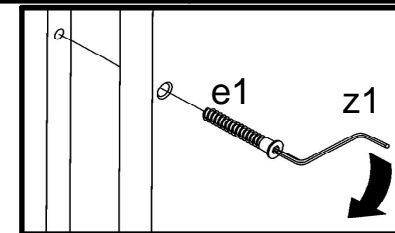
M249-REG1L1S/20/7

3095--02

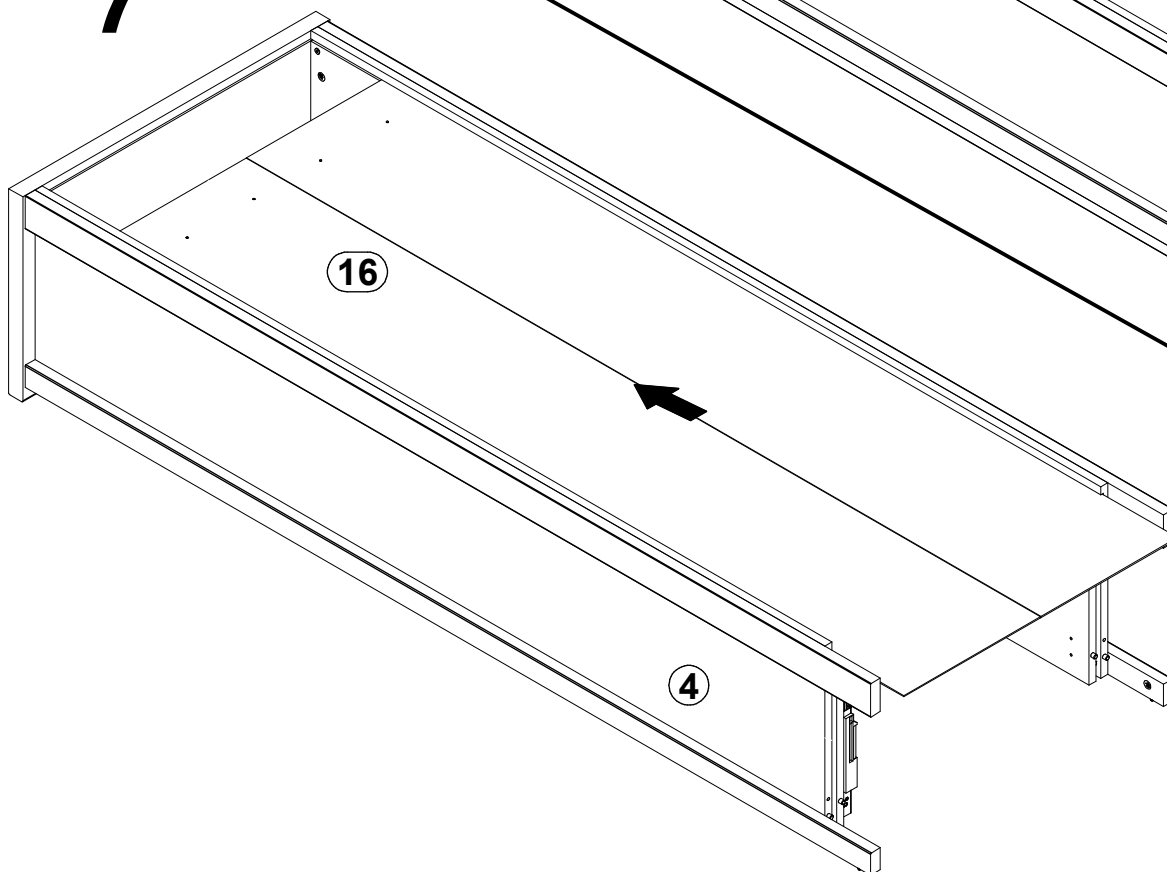
10 / 14



8



7



16

5

7

e1

e1

e1

e1

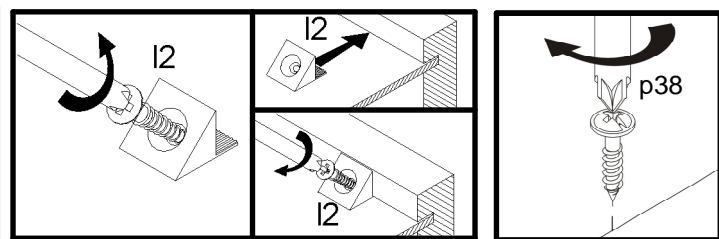
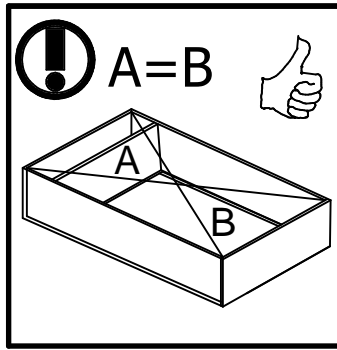
4

A

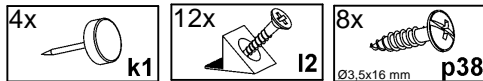
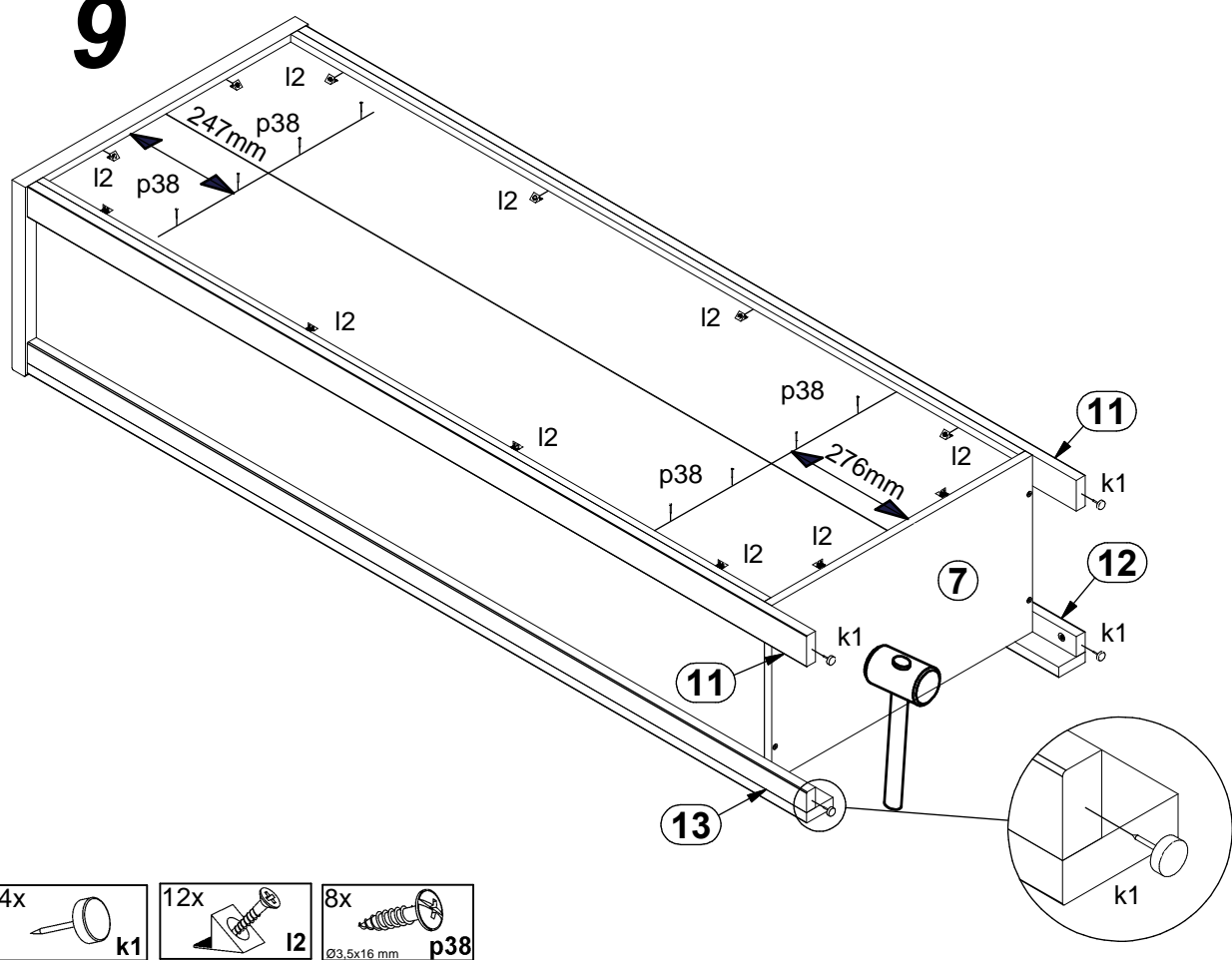
M249-REG1L1S/20/7

3095--02

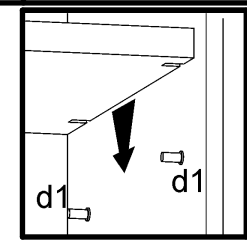
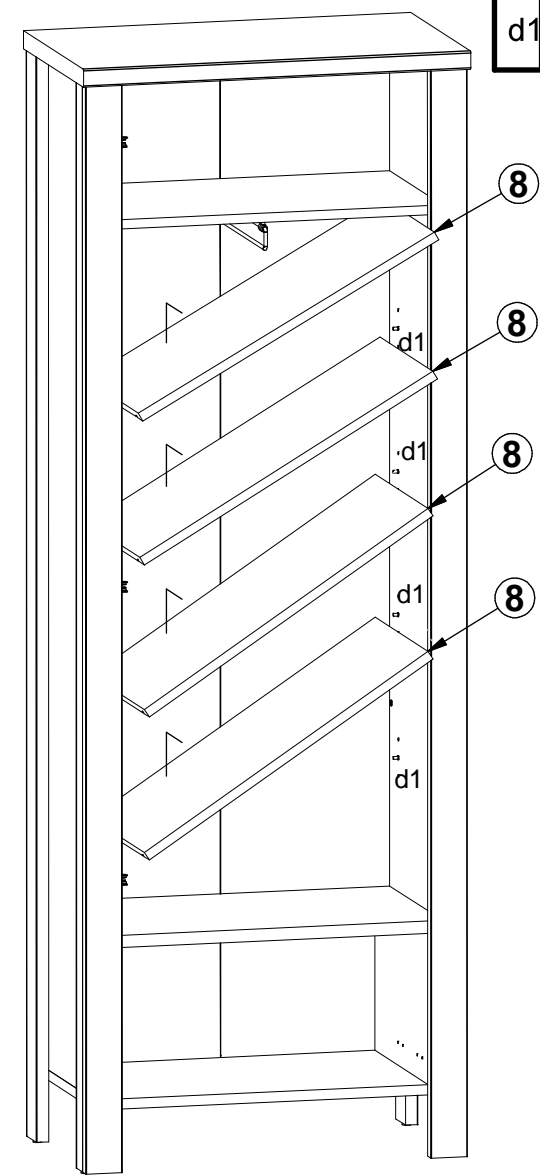
11 / 14



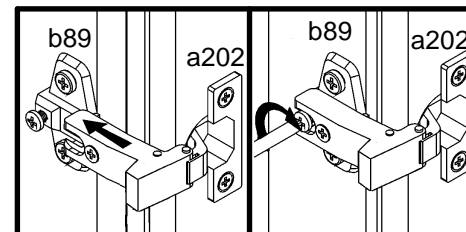
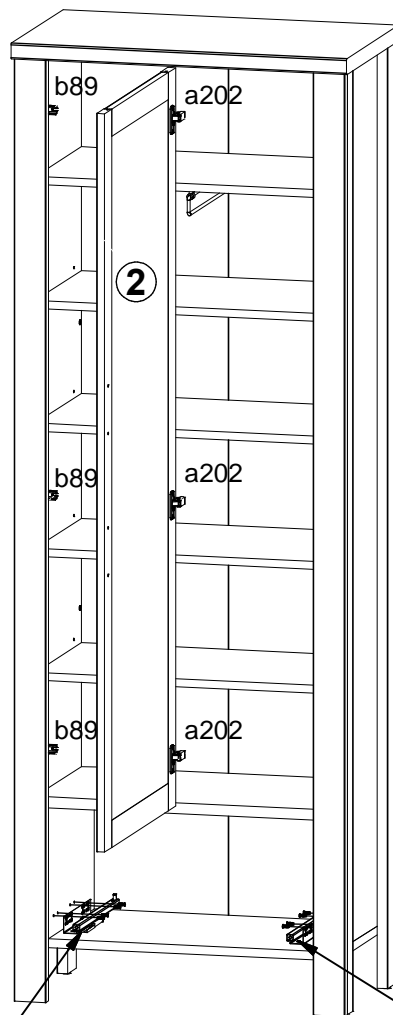
9






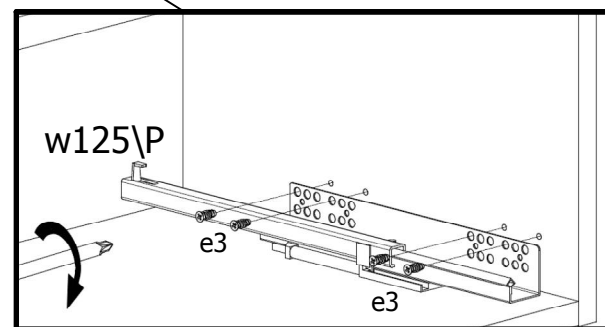
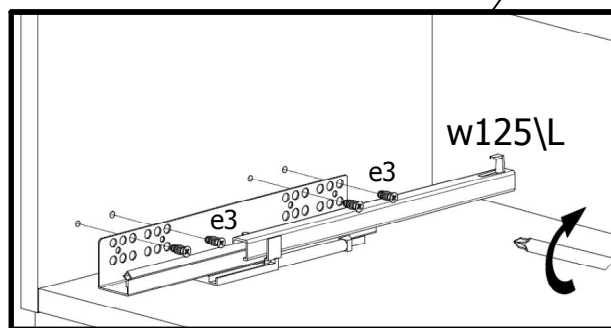
10

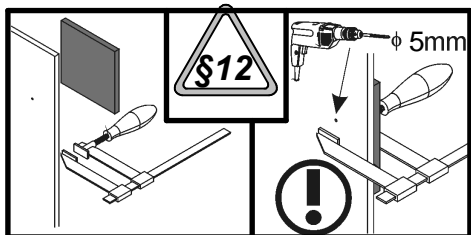


11



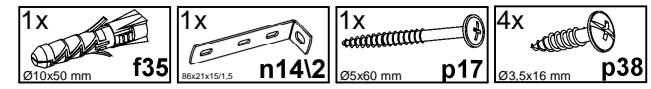
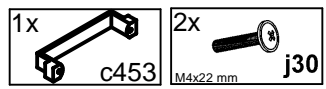
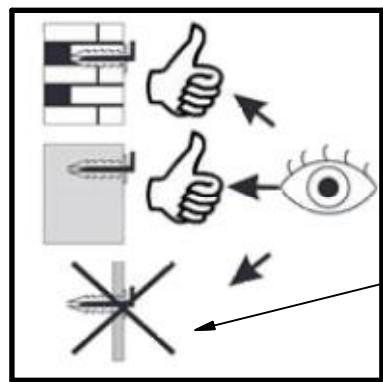
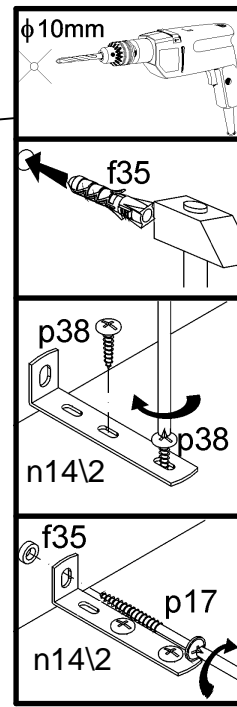
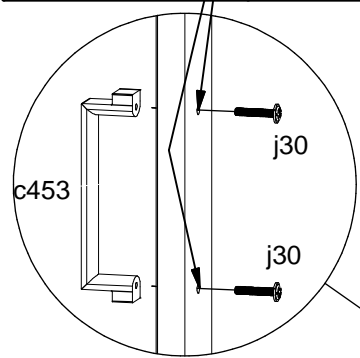
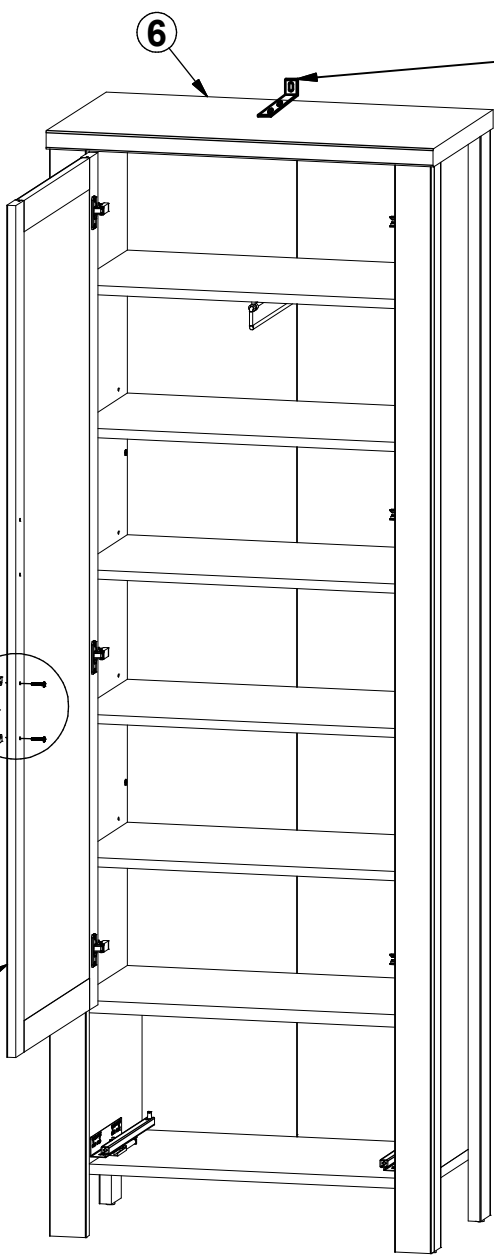
- 8x  e3  
Ø6x13 mm
- 1x  w125\L  
300mm
- 1x  w125\P  
300mm

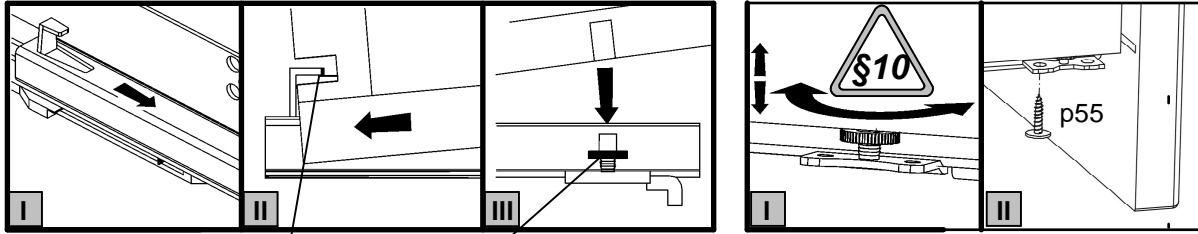




12

6





13

