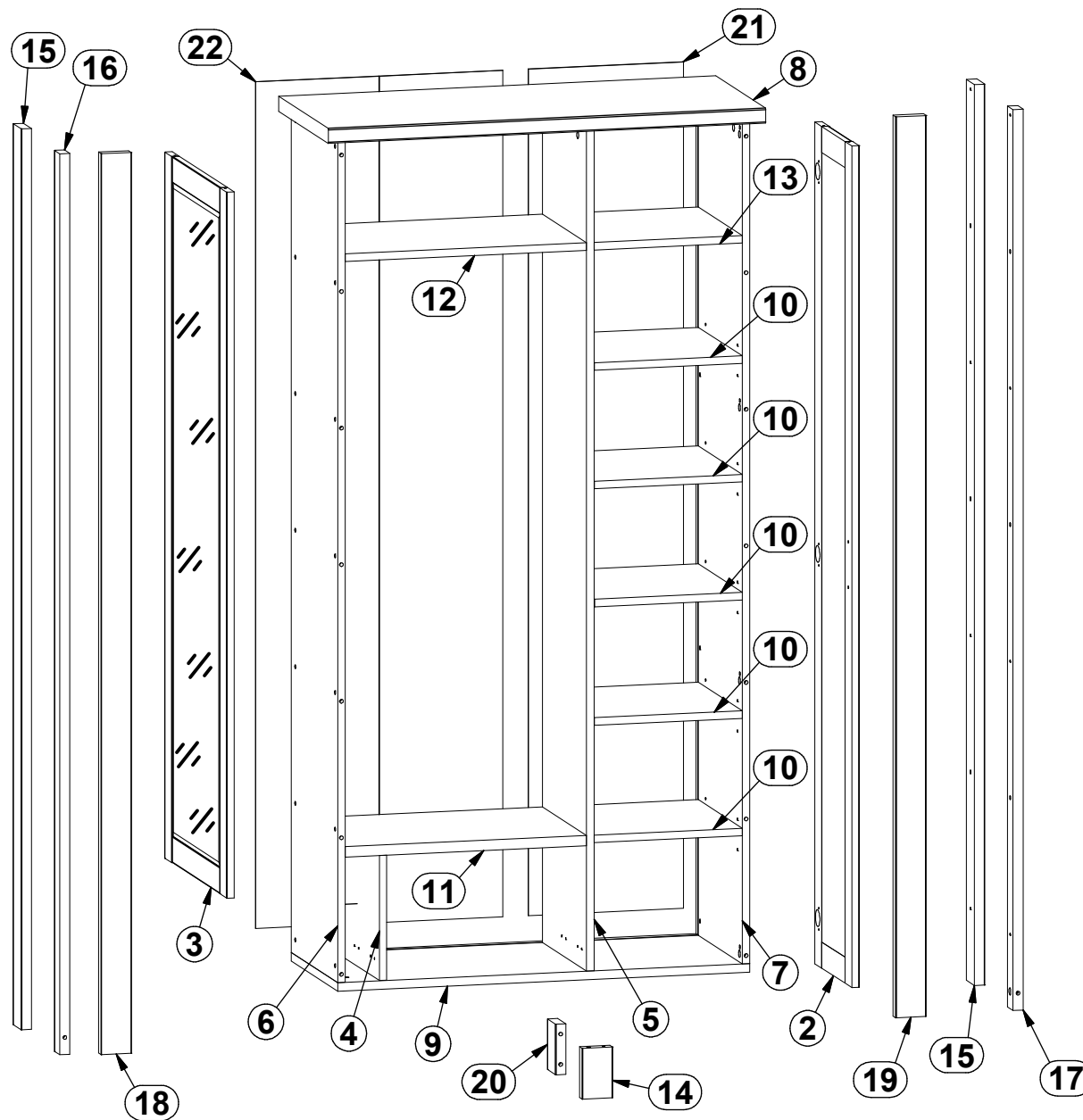
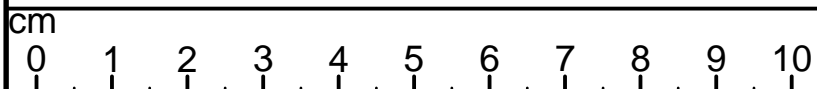
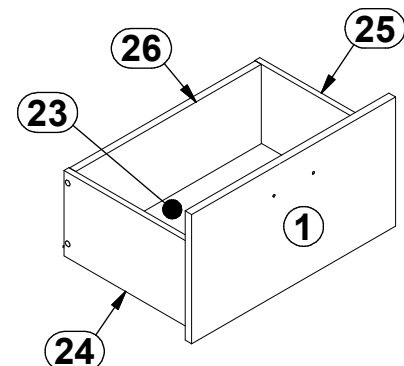


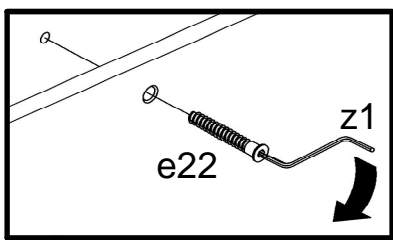
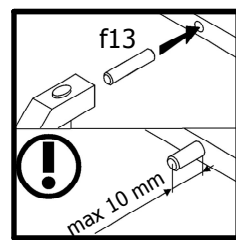
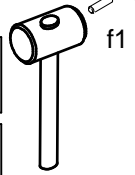
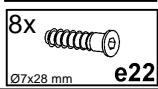
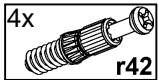
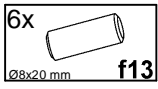
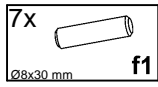
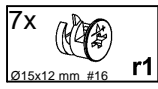
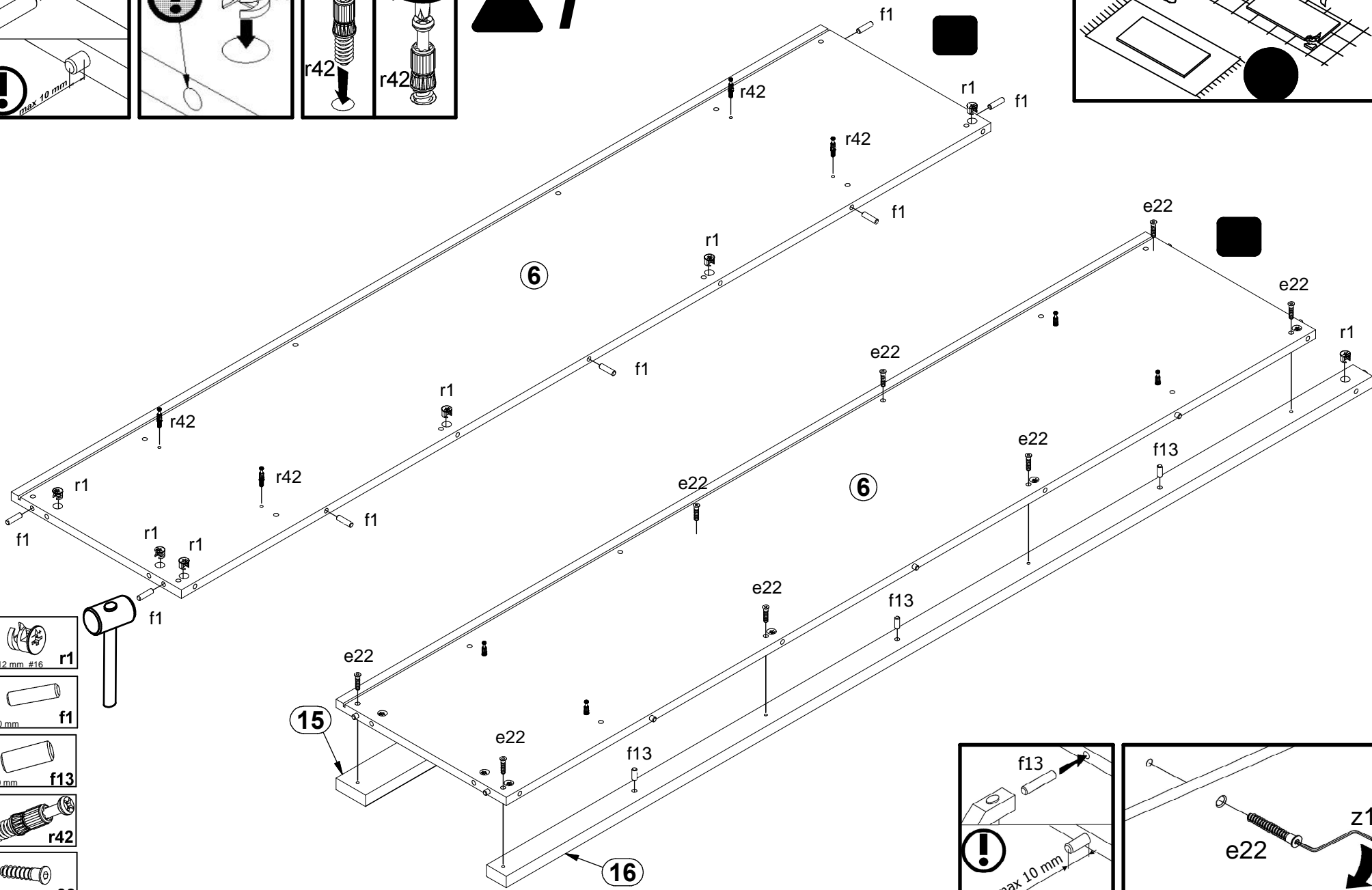
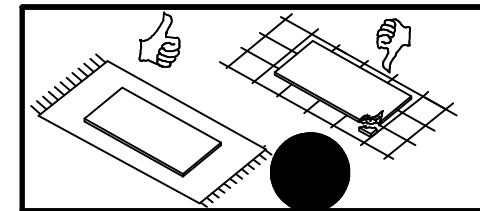
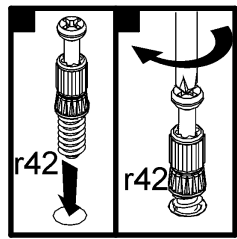
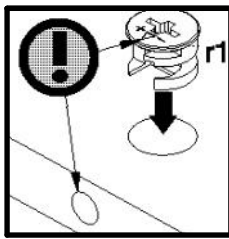
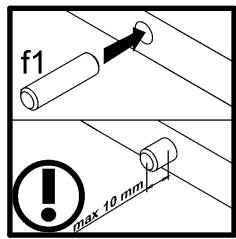
6x a202	6x b89
3x c453	20x d1 Ø5x17 mm
7x e1 Ø7x50 mm	8x e3 Ø6x13 mm
16x e22 Ø7x28 mm	32x f1 Ø8x30 mm
2x f6 Ø8x50 mm	12x f13 Ø8x20 mm
4x f25 Ø6,5x40 mm	6x j30 M4x22 mm
5x k1	14x l2
1x m6 L=300 mm	12x n108 20x13x3,5
4x p27 Ø3,5x13 mm	10x p38 Ø3,5x16 mm
12x p51 Ø3,5x15 mm	14x p55 Ø2,9x16 mm
29x r1 Ø15x12 mm #16	2x r10
4x r15 Ø12x10,5 mm #12	29x r42 20/11
14x s2 Ø16	1x w125/L 300mm
1x w125/P 300mm	1x z1

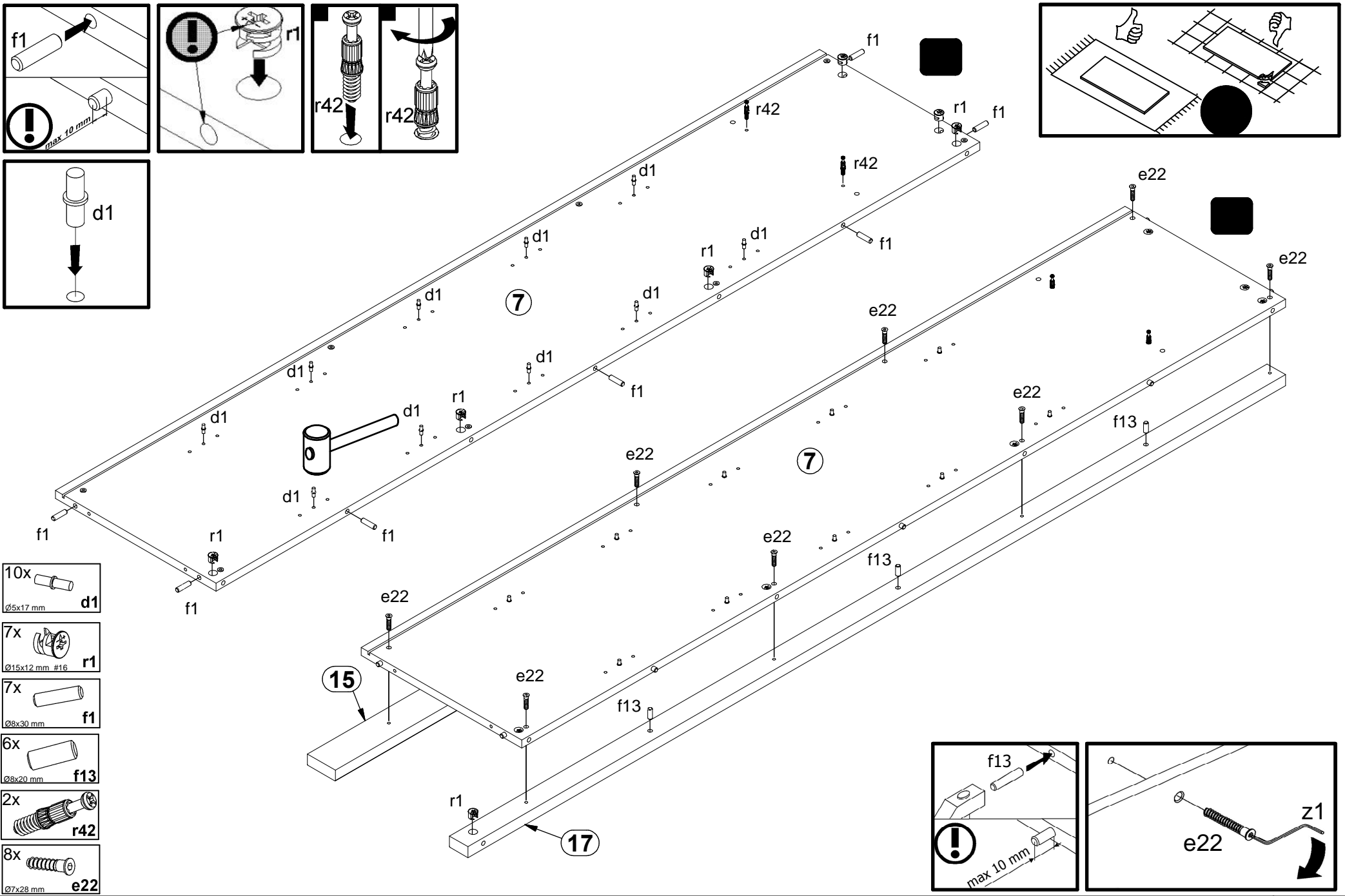
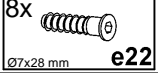
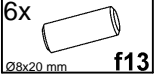
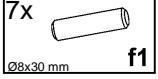
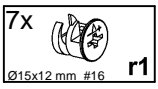
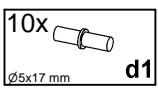
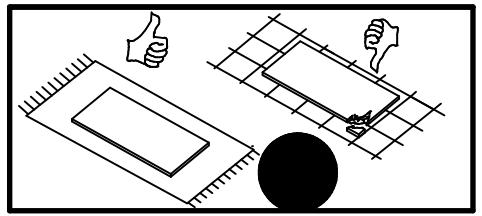
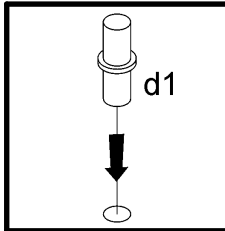
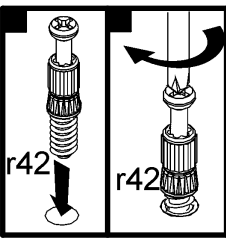
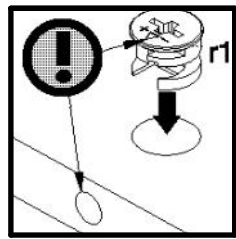
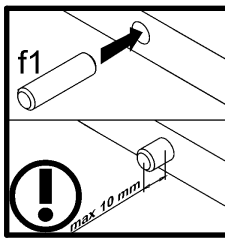


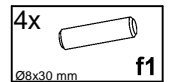
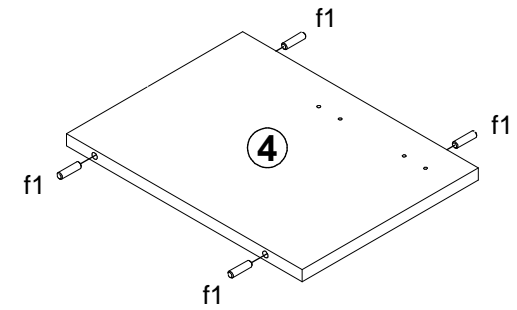
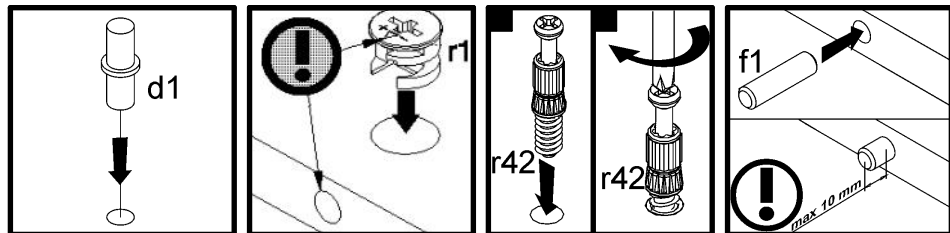
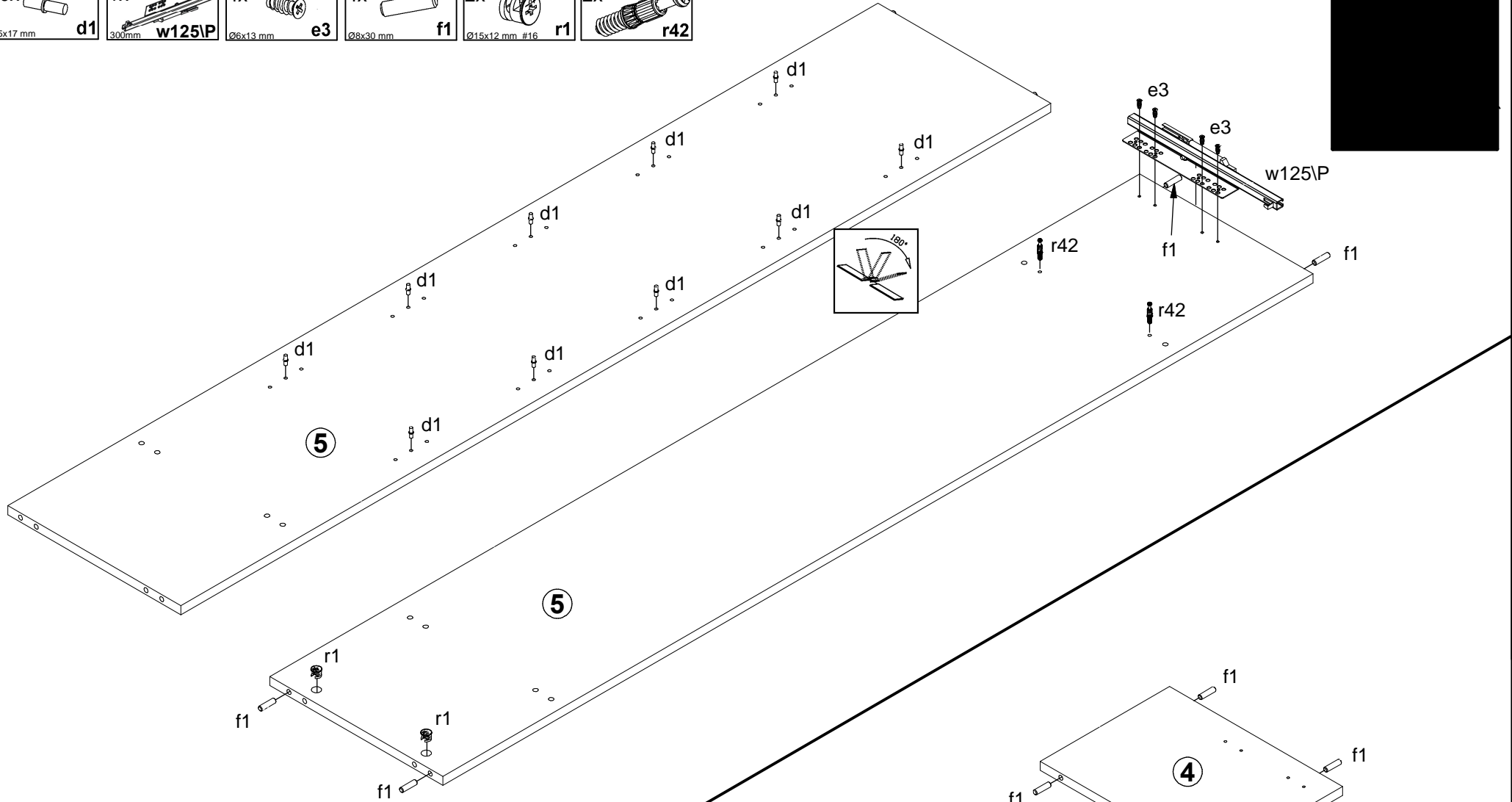
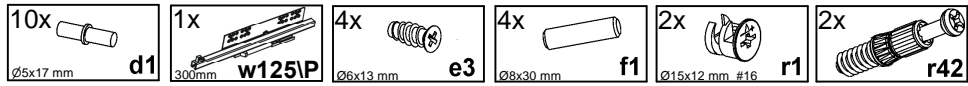
A	B	C1	C2	C3	D
1	M249-0006	496	272	16	3/3
2	M249-0009	1775,	296,	16	3/3
3	M249-0010	1489,	496,	16	3/3
4	M249-1011	264,	353	16	1/3
5	M249-1012	1775,	353	16	3/3
6	M249-1013	1775	373	16	2/3
7	M249-1014	1775	373	16	2/3
8	M249-2009	940	400	32	1/3
9	M249-2010	886	373	18	1/3
10	M249-3006	318,	353	16	1/3
11	M249-3010	519	353	22	1/3
12	M249-3011	519	353	16	1/3
13	M249-3012	319	353	16	1/3
14	M249-5015	107	65	22	1/3
15	M249-5016	1900	65	22	2/3
16	M249-5017	1900,	43	22	2/3
17	M249-5018	1900,	43	22	2/3
18	M249-5019	1900	65	22	2/3
19	M249-5021	1900,	65	22	2/3
20	M249-5025	107	65	22	1/3
21	M249-9002	1785	333	2,5	2/3
22	M249-9304	1785	531	2,5	2/3
23	WSP-9312	462	308	2,5	1/3
24	ZQ6-501	300	180	12	1/3
25	ZQ6-502	300	180	12	1/3
26	ZQ6-5102	452	167	15	1/3

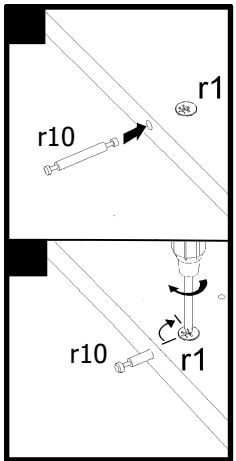
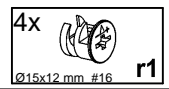
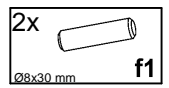
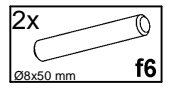
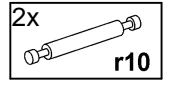
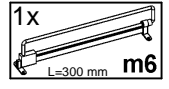
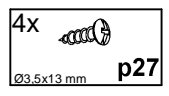
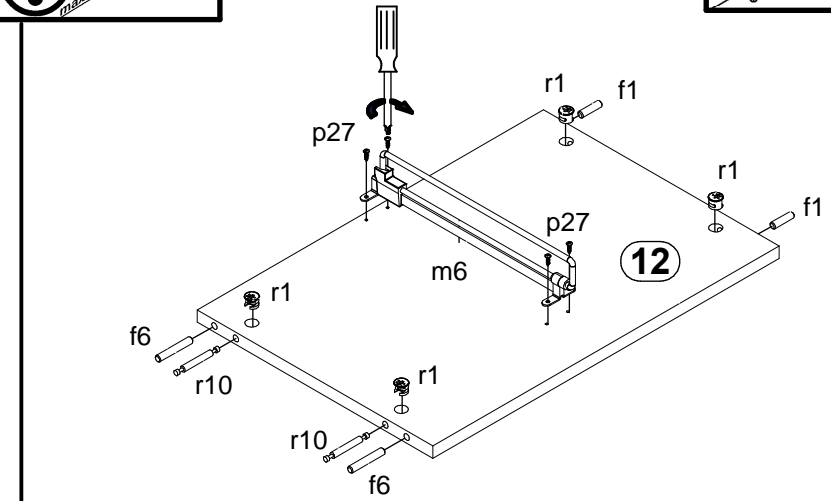
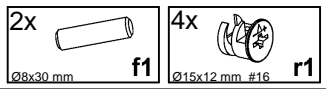
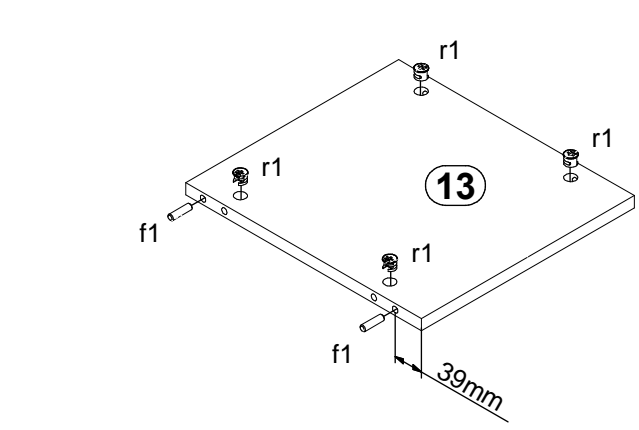
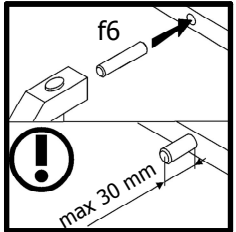
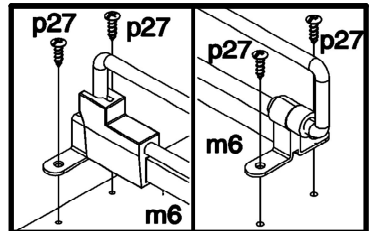
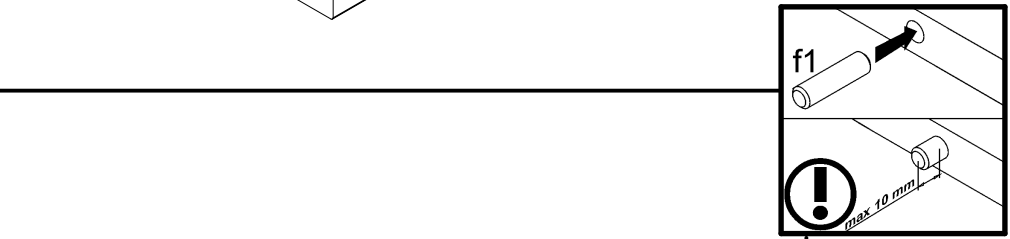
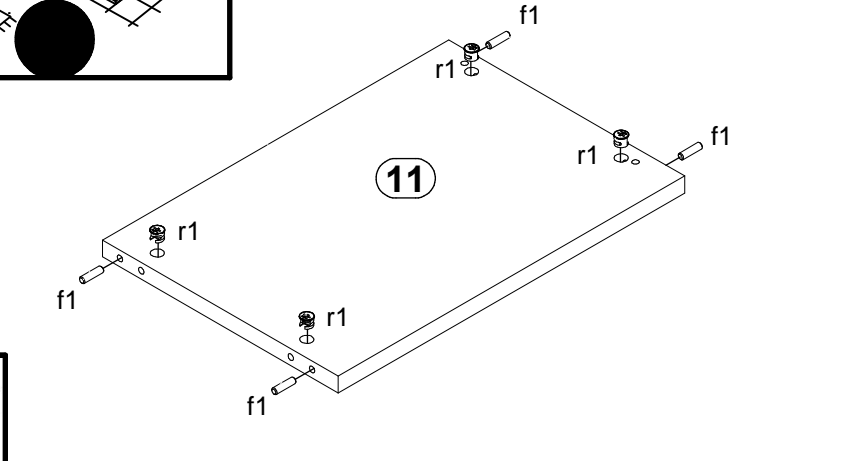
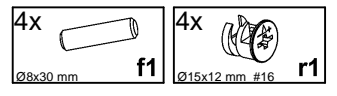
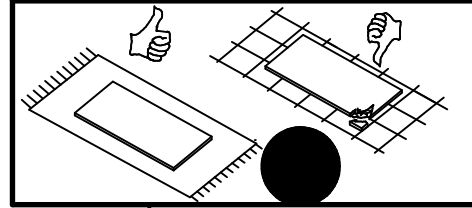
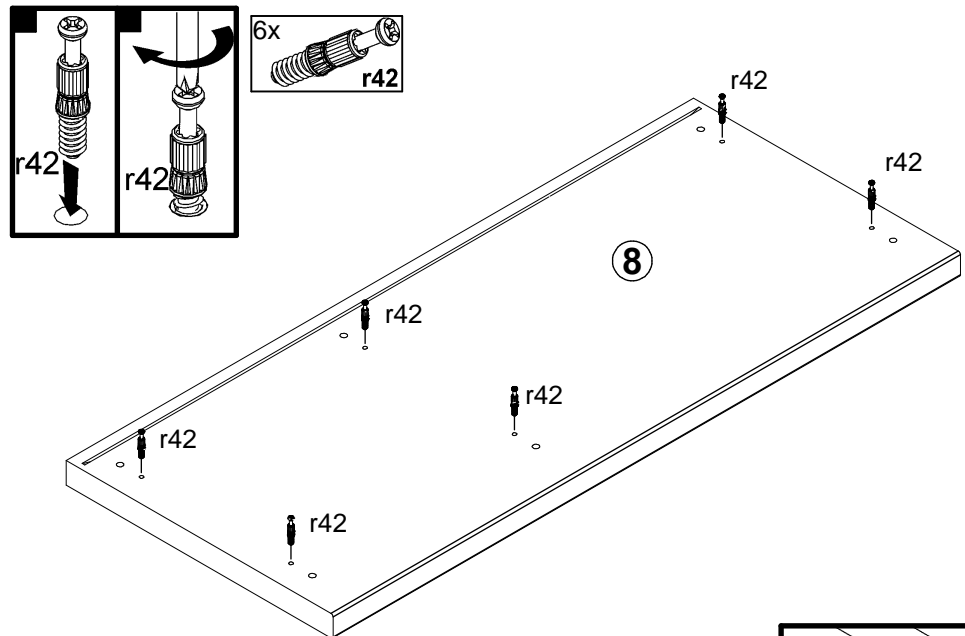


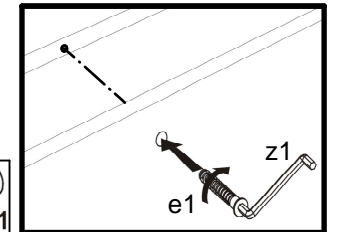
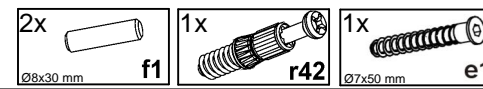
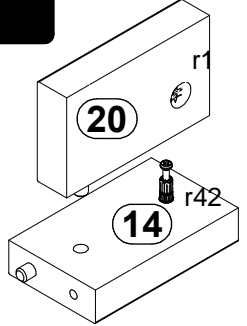
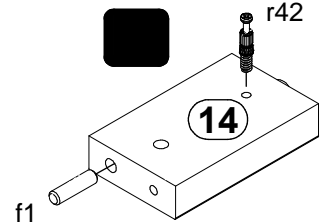
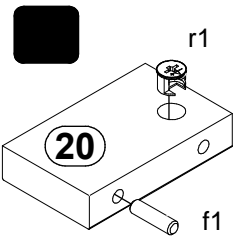
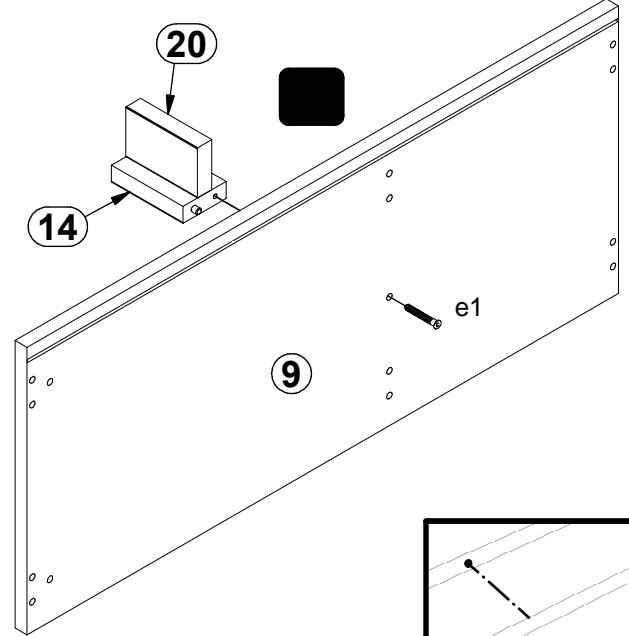
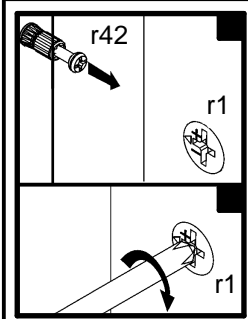
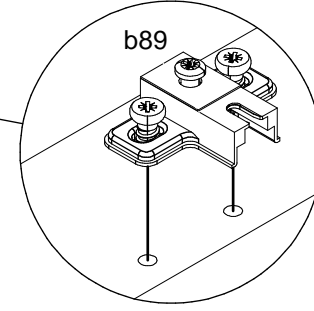
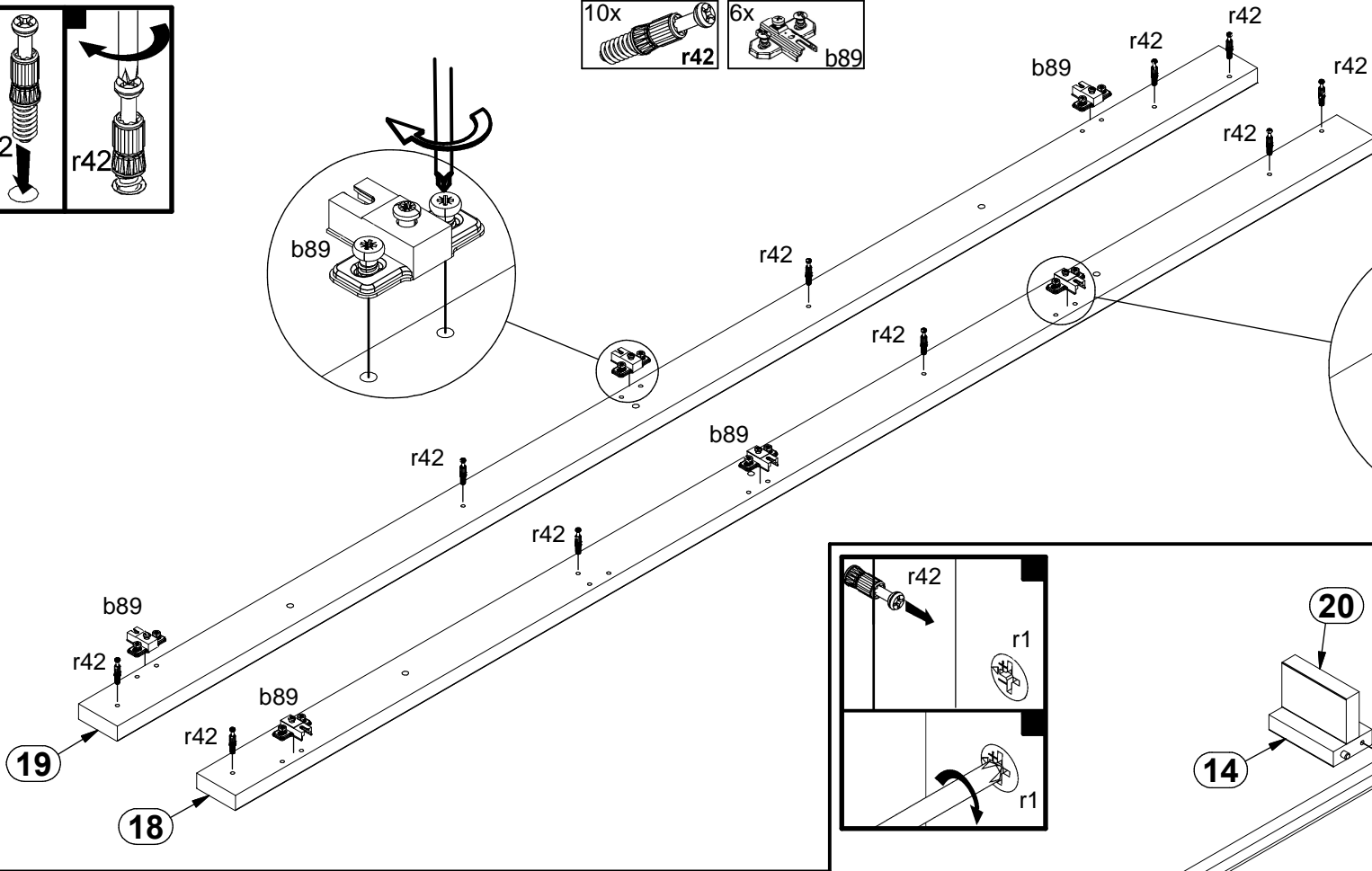
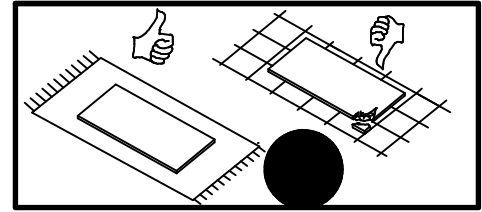
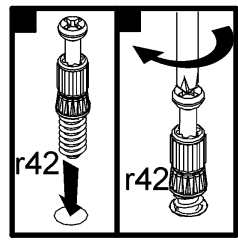
1x f35 Ø10x50 mm	1x p17 Ø5x60 mm	2x p38 Ø3,5x16 mm	1x n14/2 88x21x15/1,5
------------------------	-----------------------	-------------------------	-----------------------------

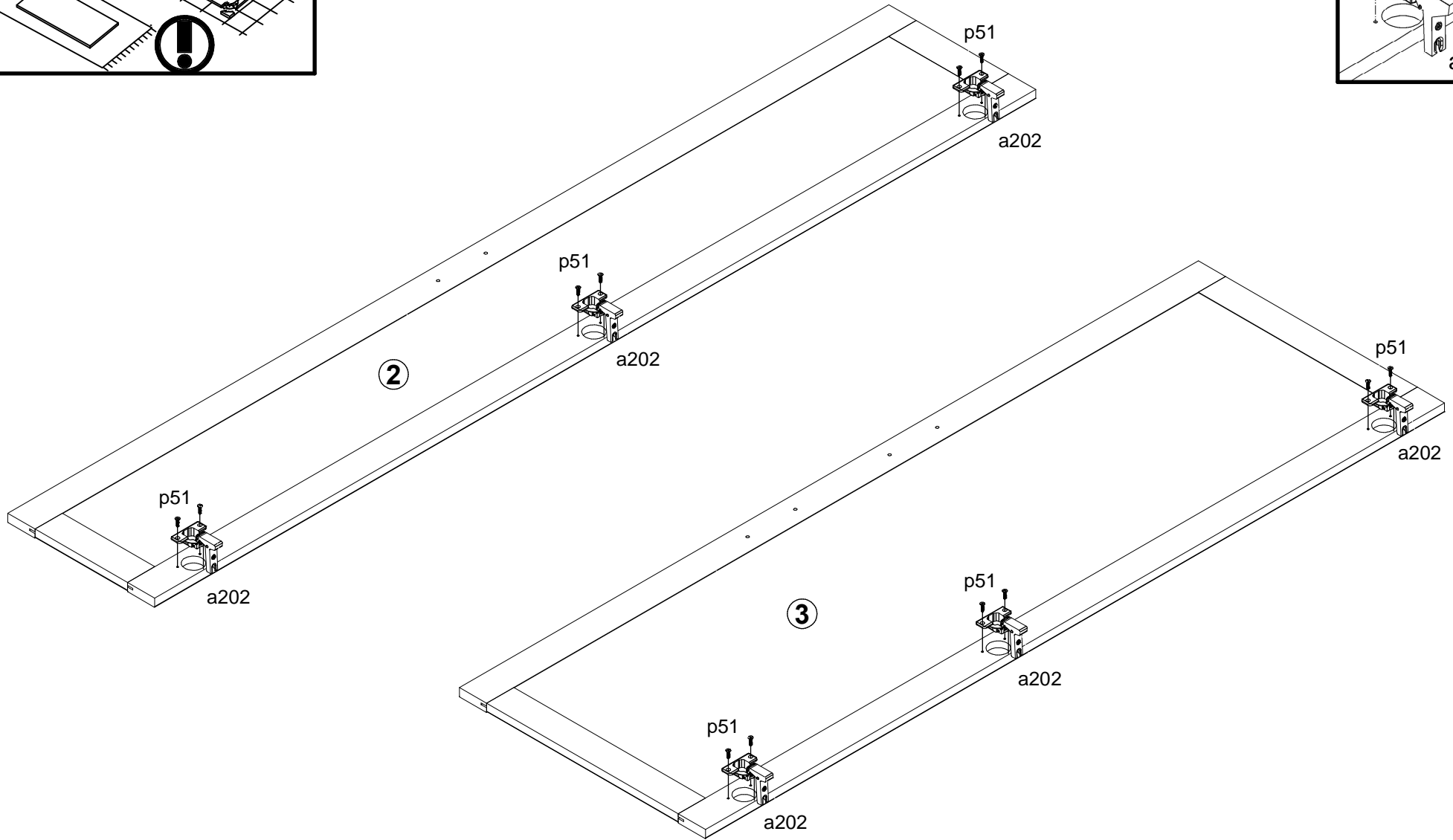
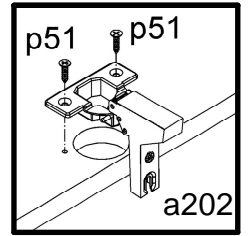
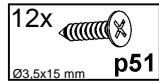
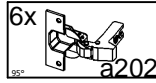
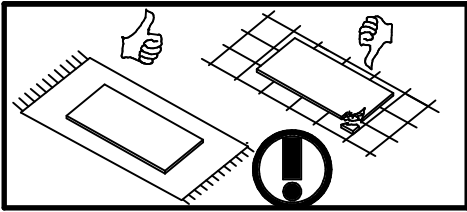


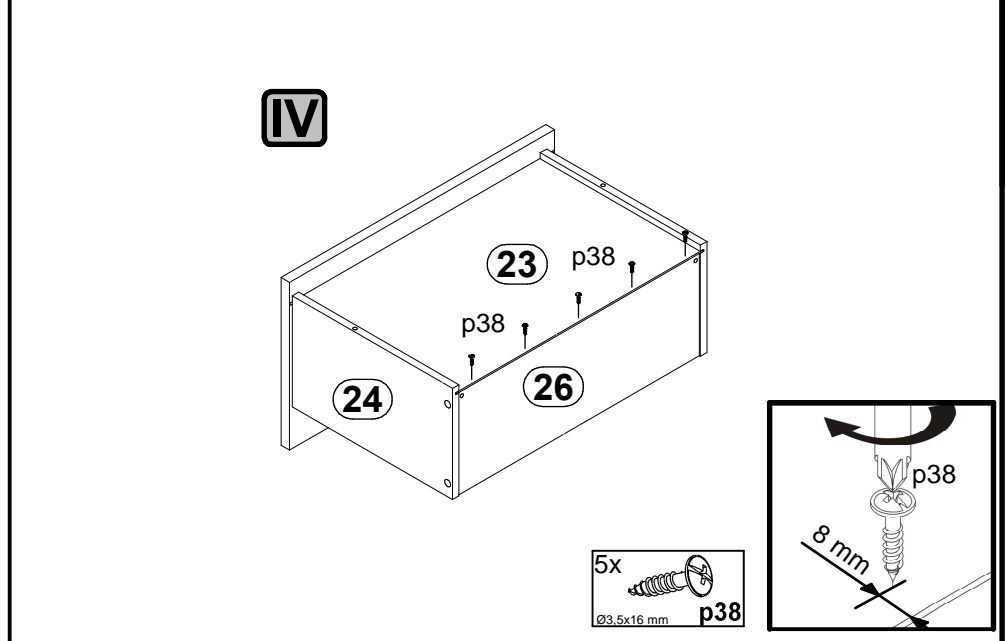
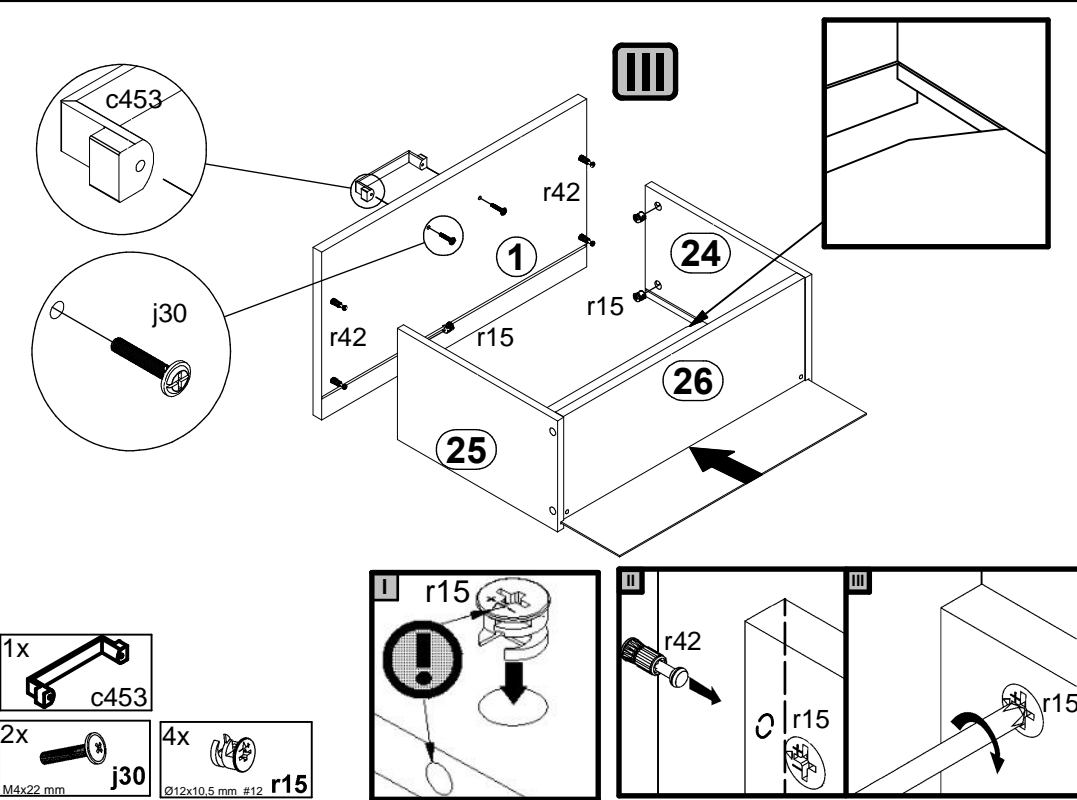
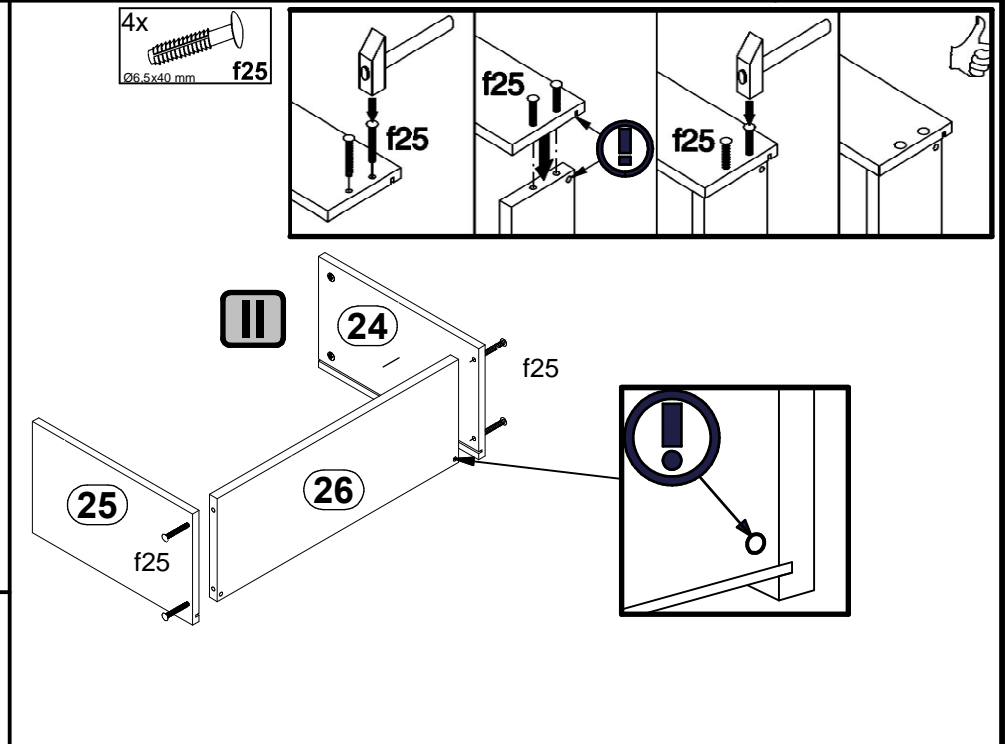
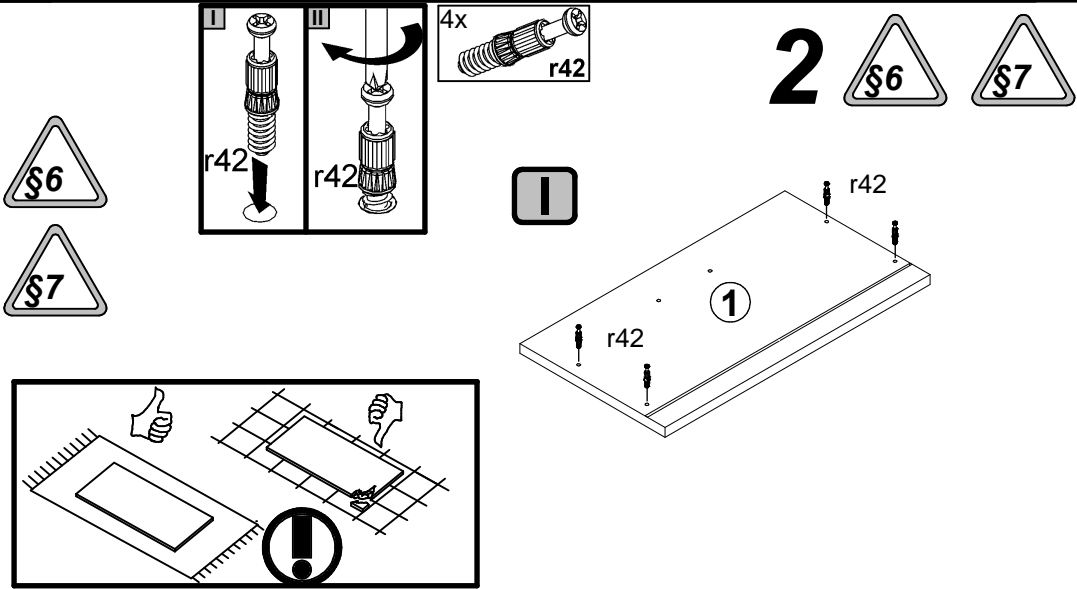


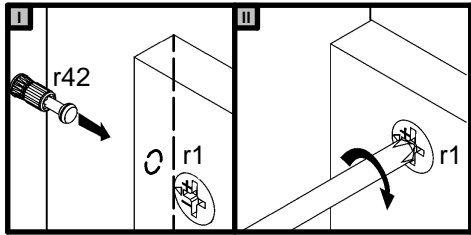




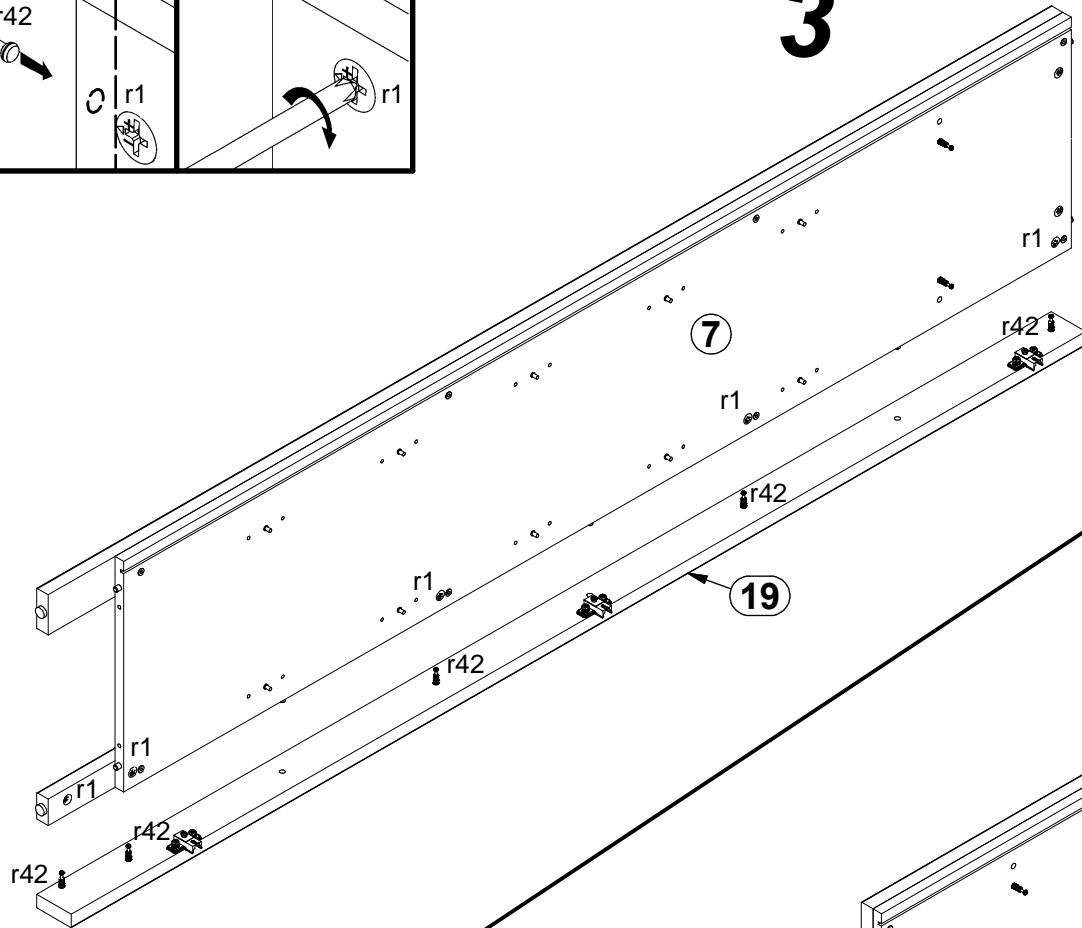
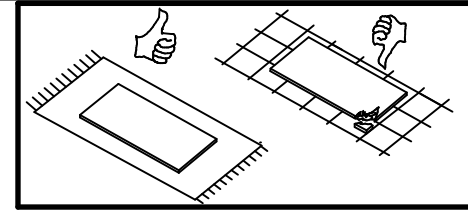




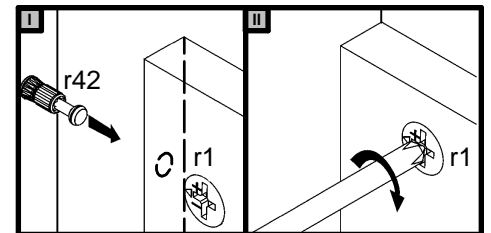
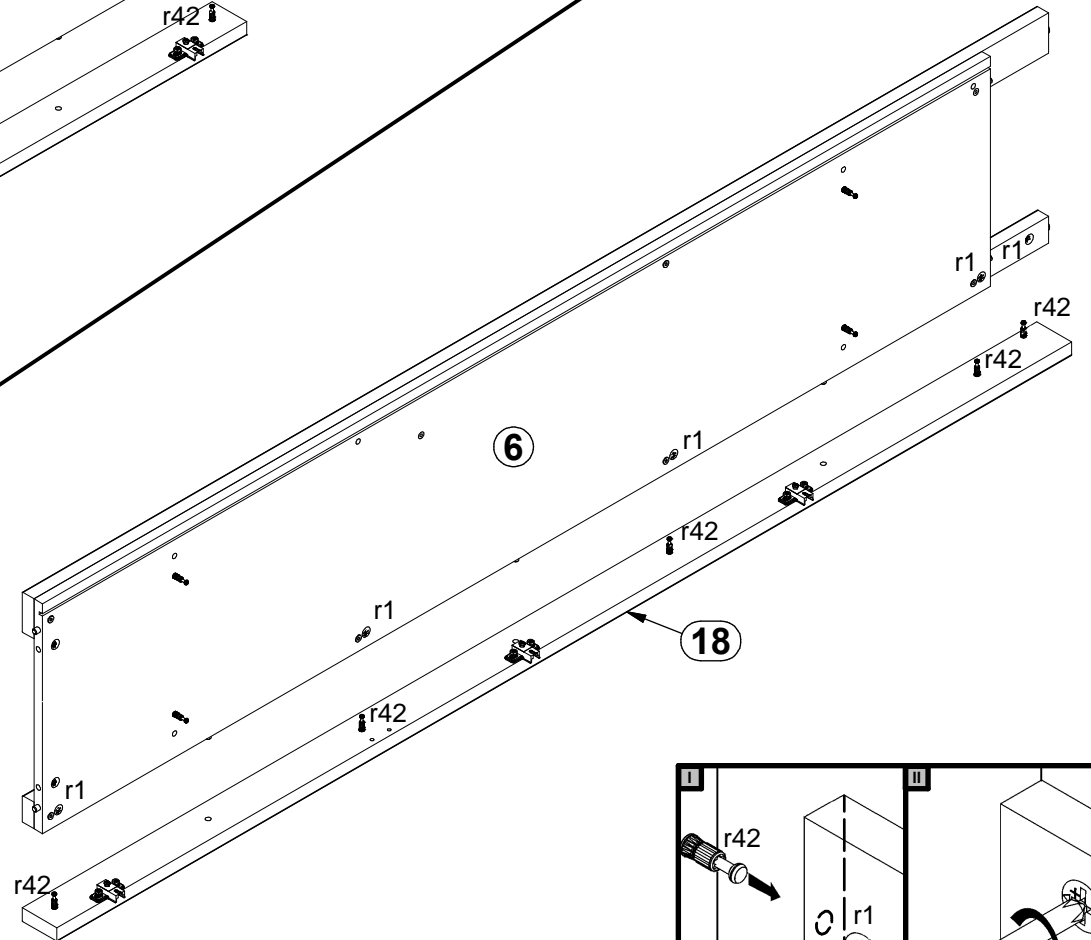


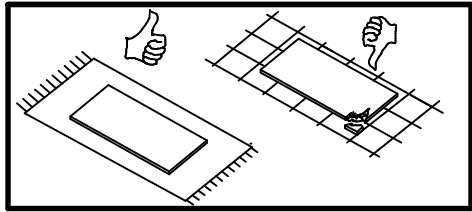


3



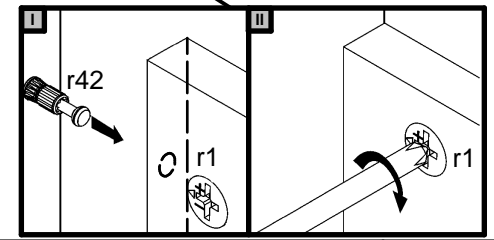
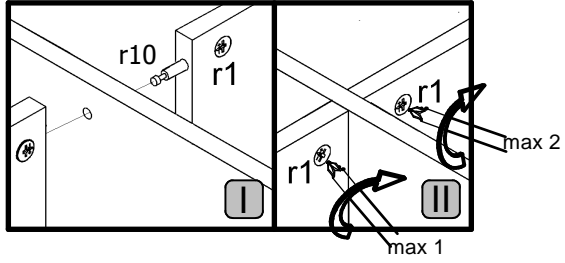
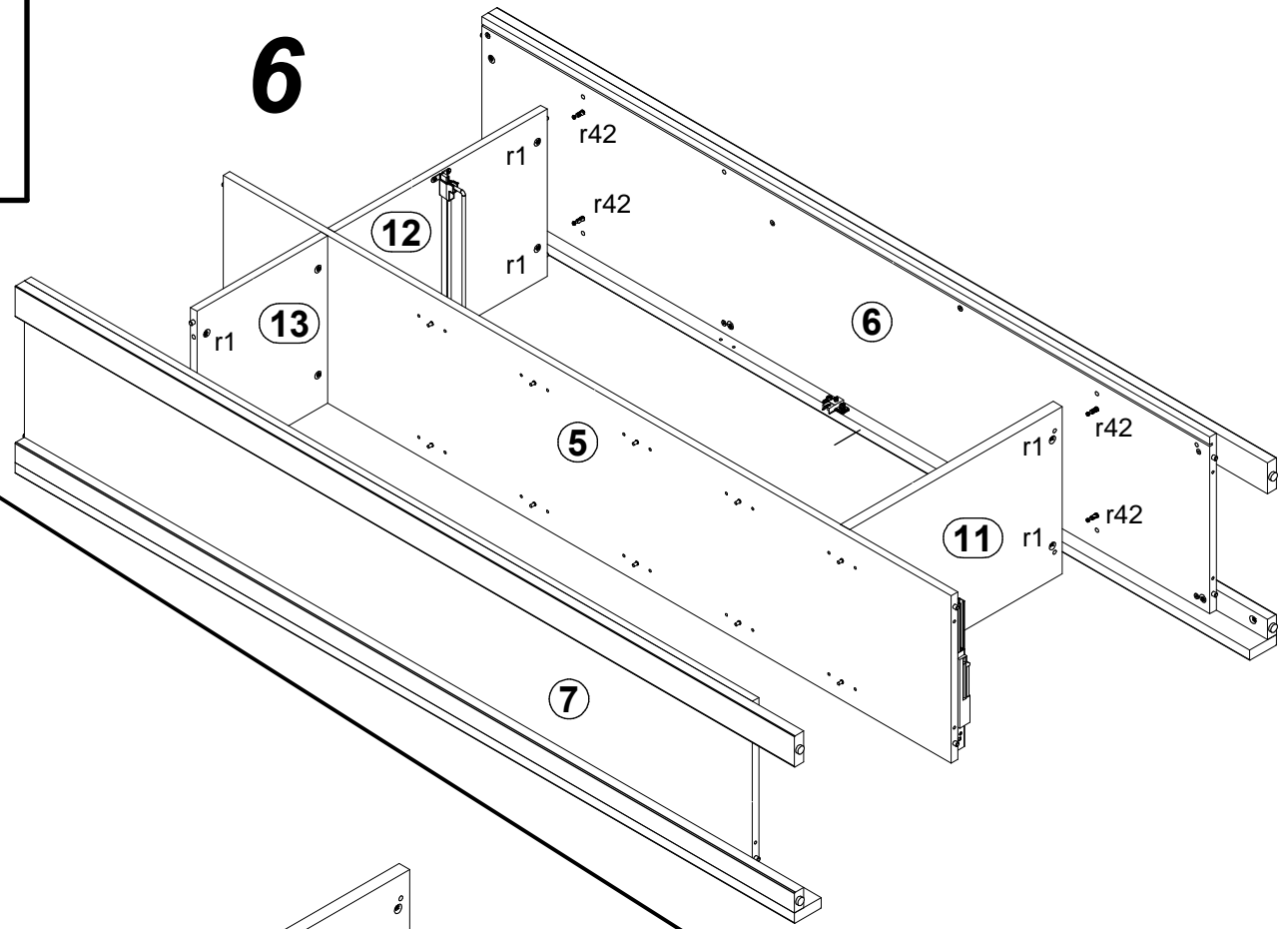
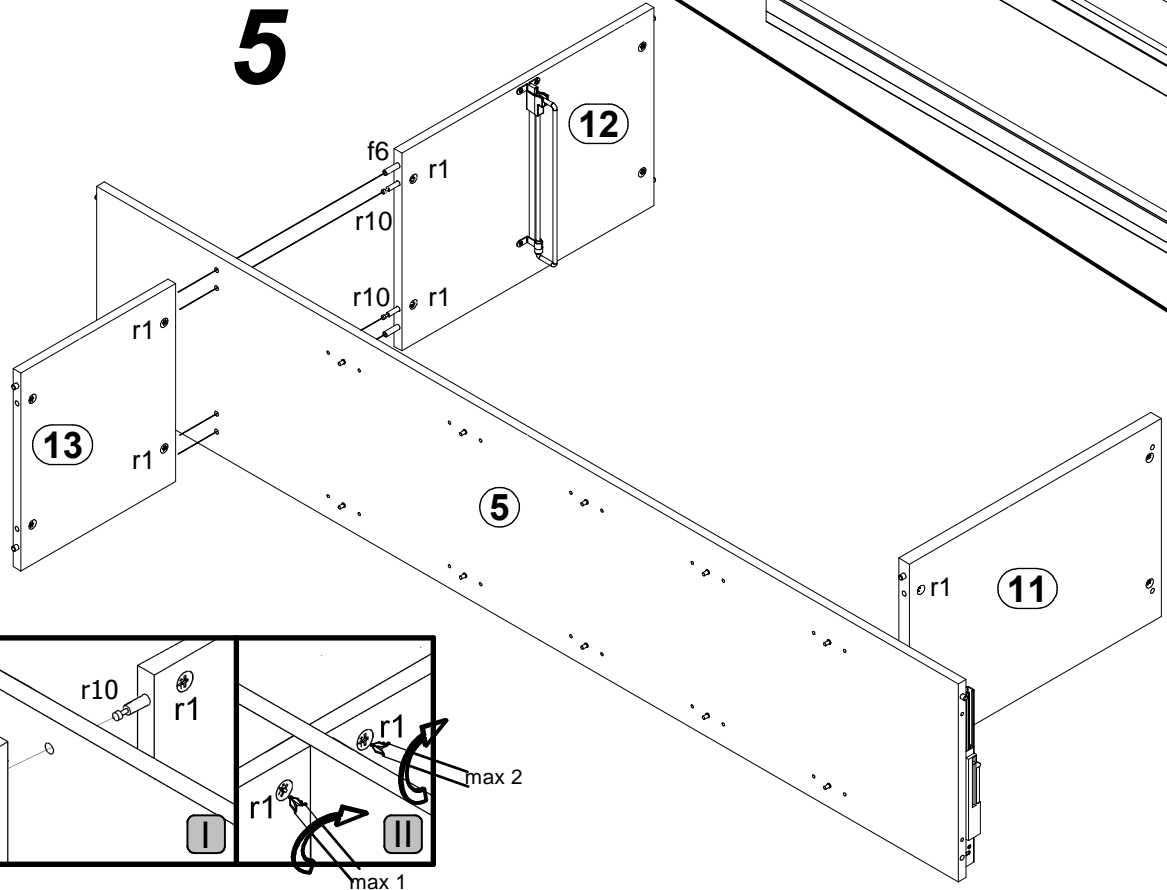
4

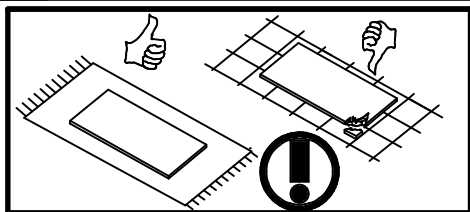




5

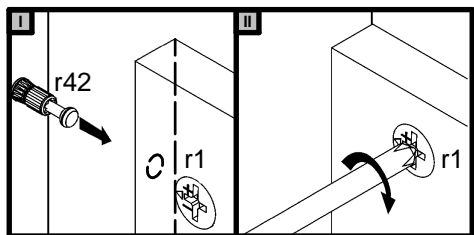
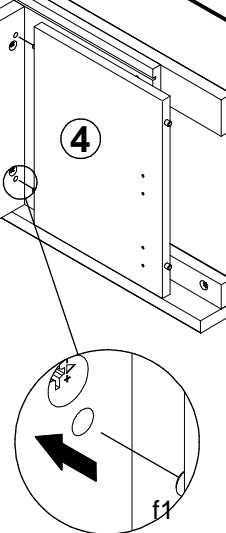
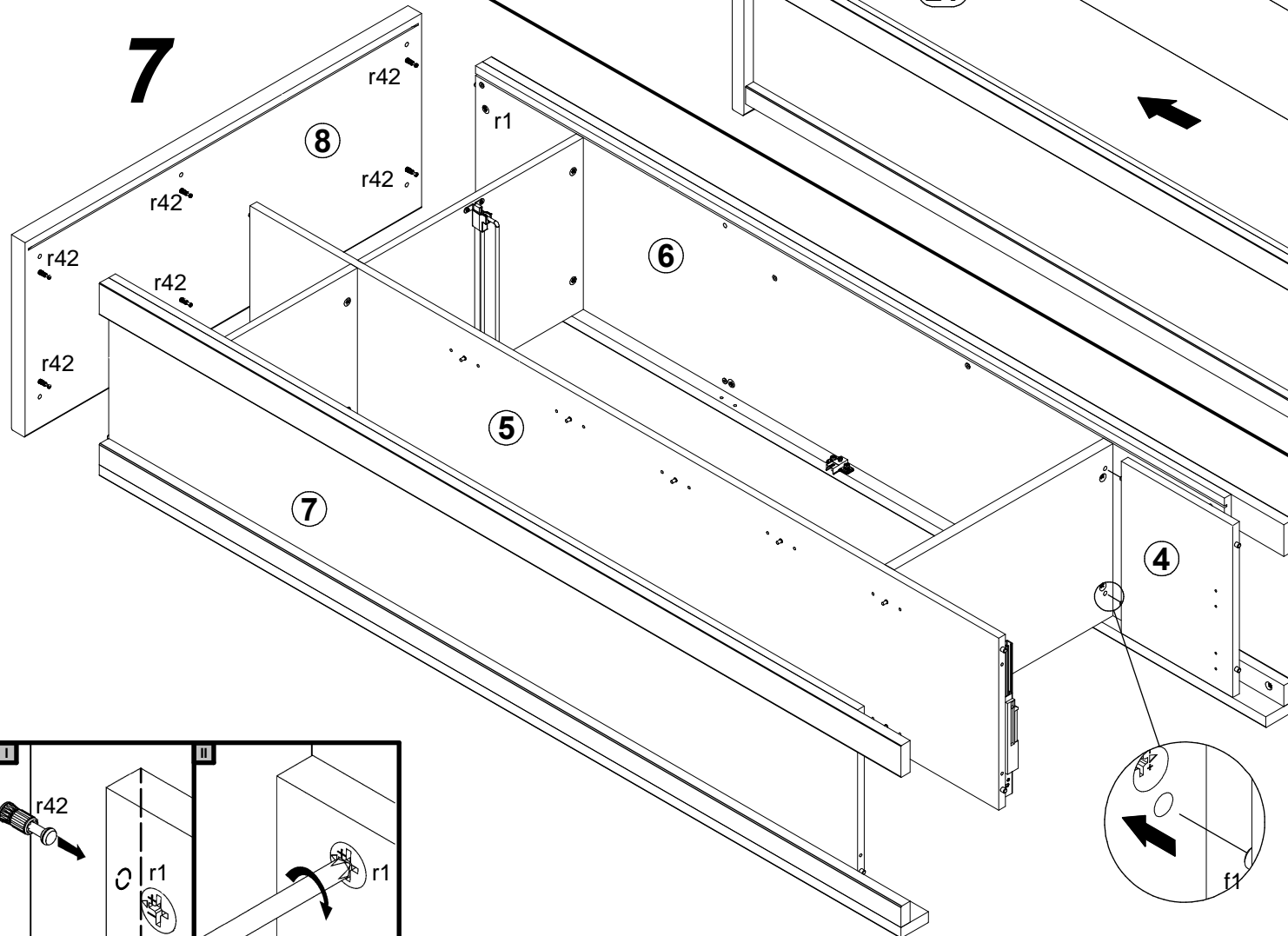
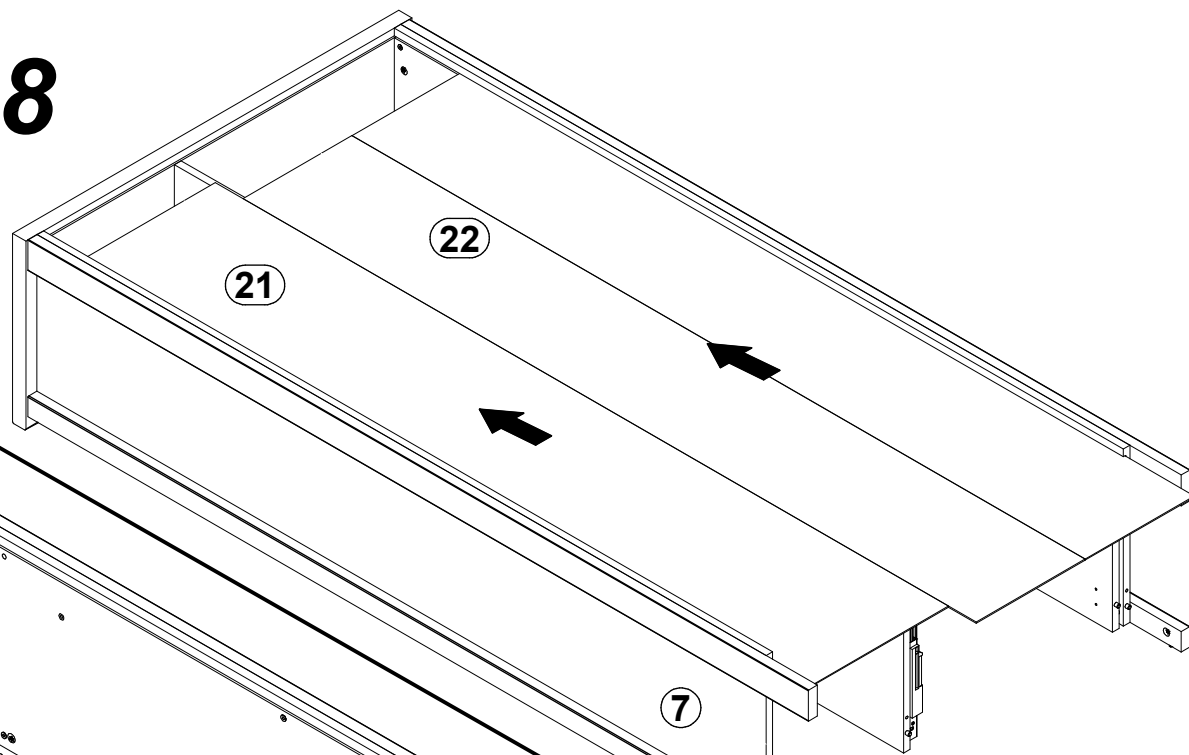
6

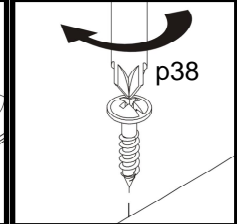
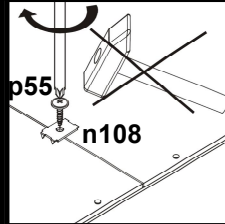
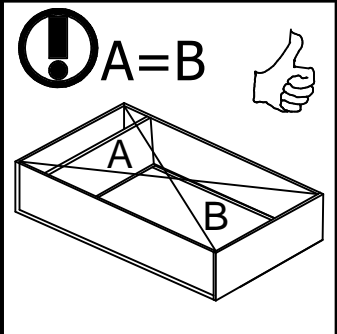




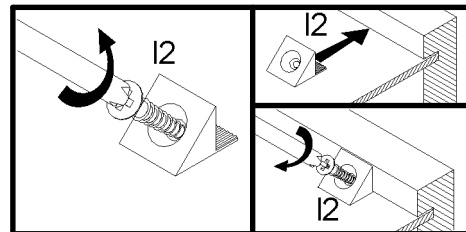
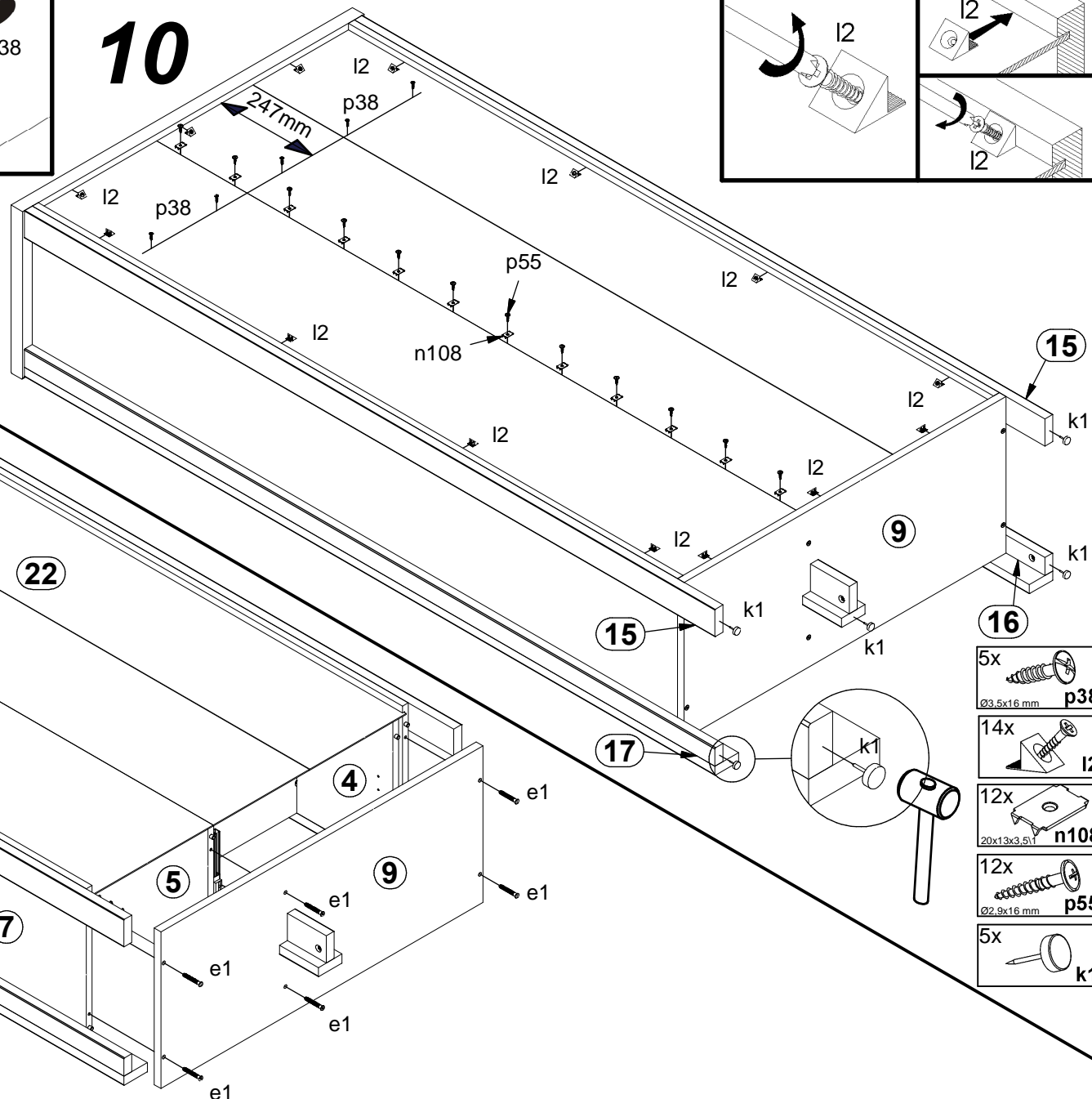
8

7

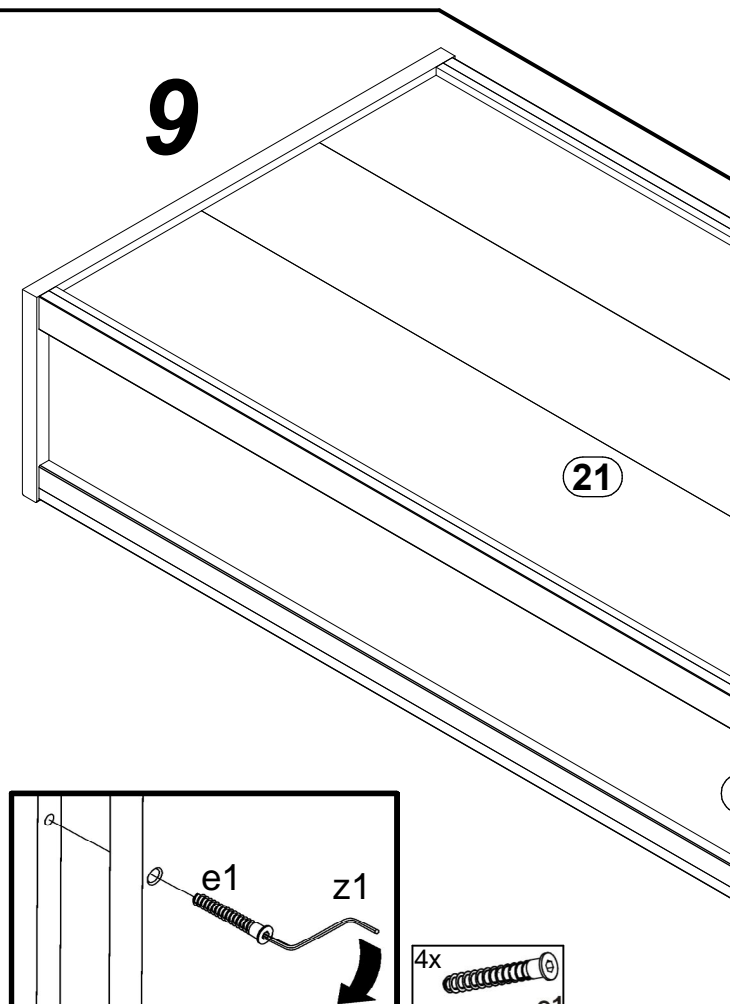




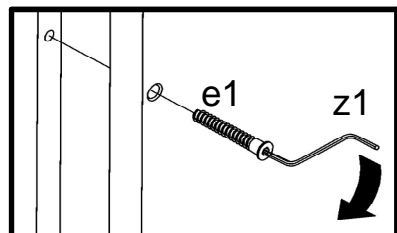
10



9

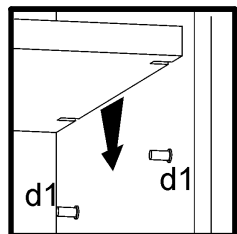
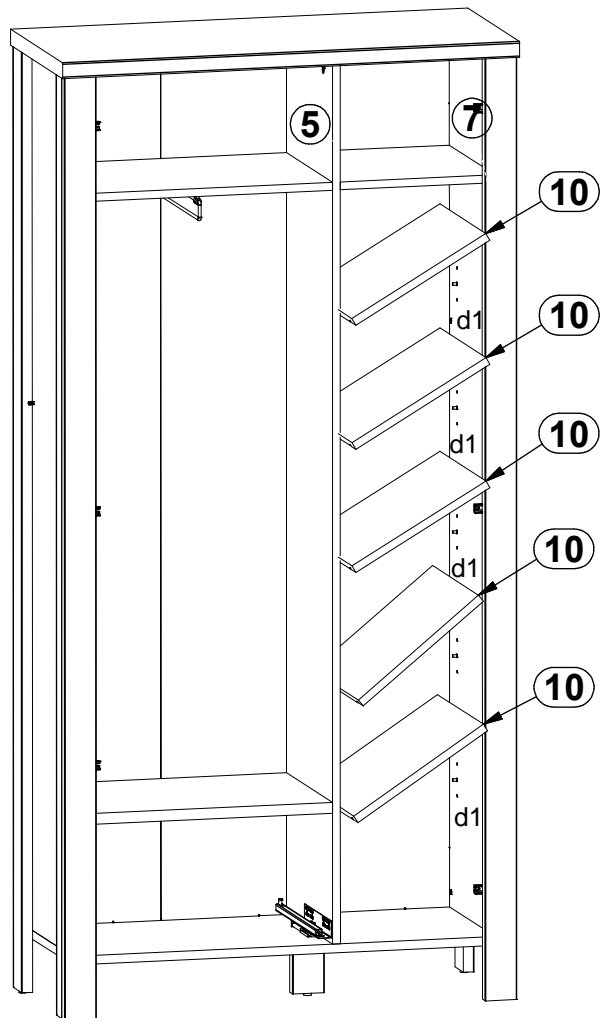


- 5x p38
Ø3.5x16 mm
- 14x I2
- 12x n108
20x13x3.5 I
- 12x p55
Ø2.9x16 mm
- 5x k1

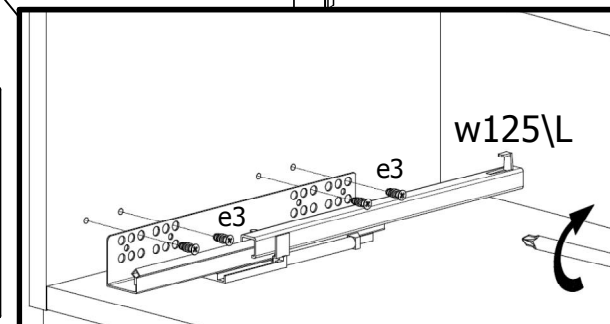
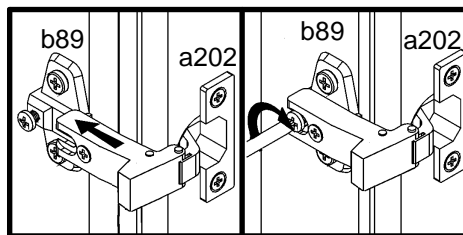
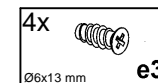
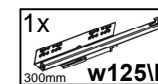
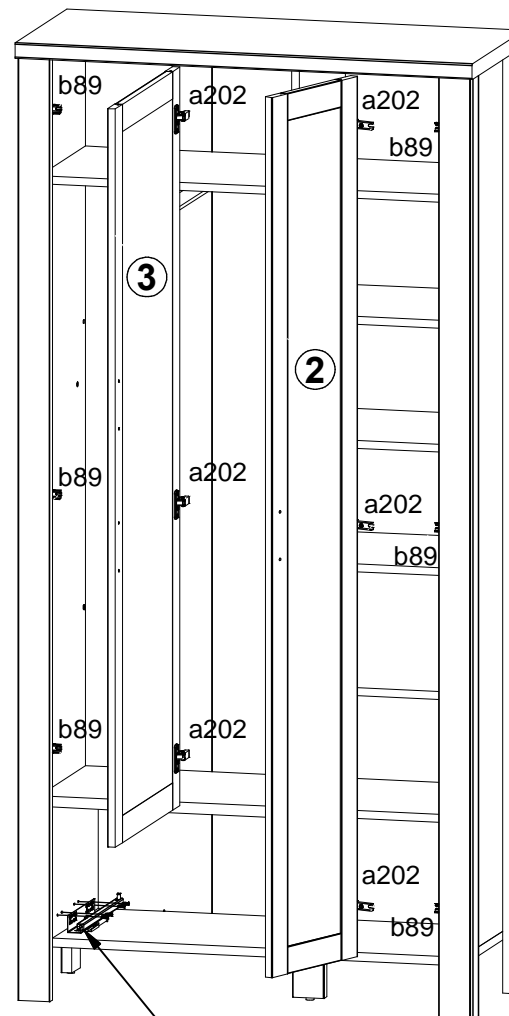


- 4x e1
Ø7x50 mm

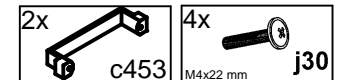
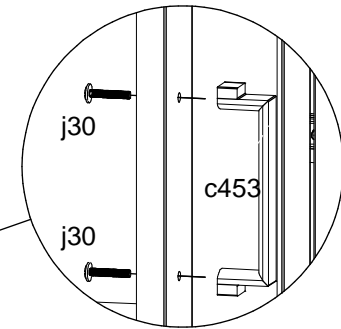
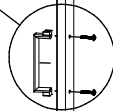
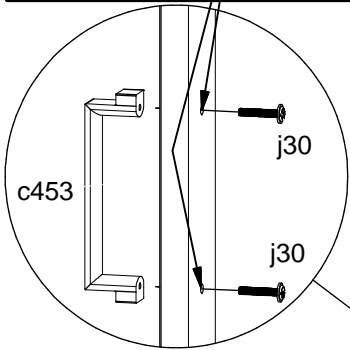
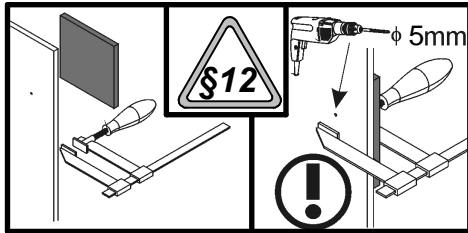
11

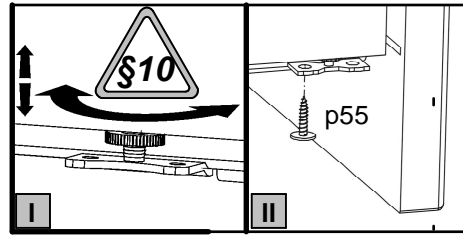
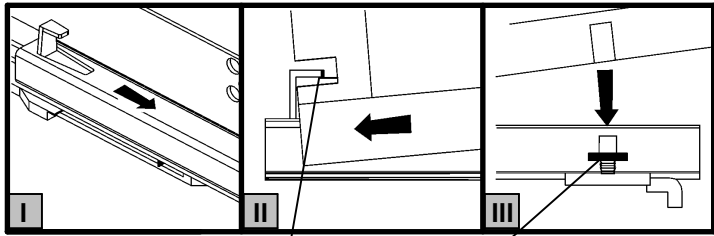


12



13





14

