

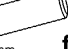
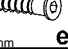

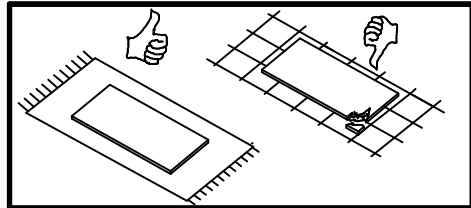
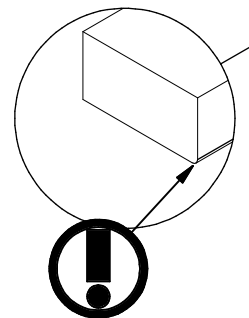
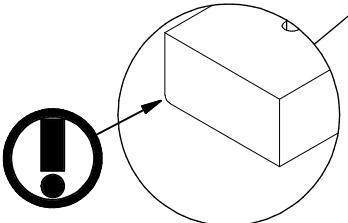
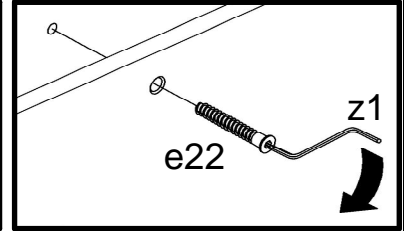
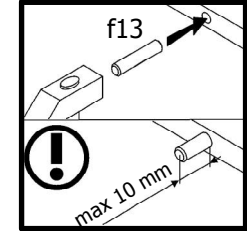
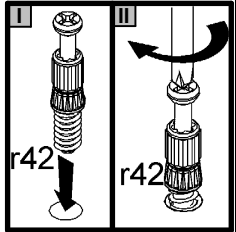
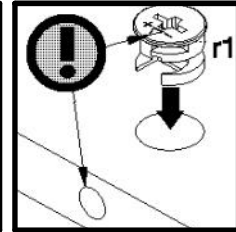
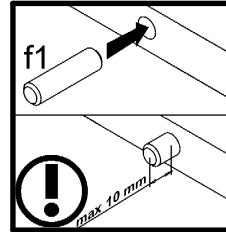
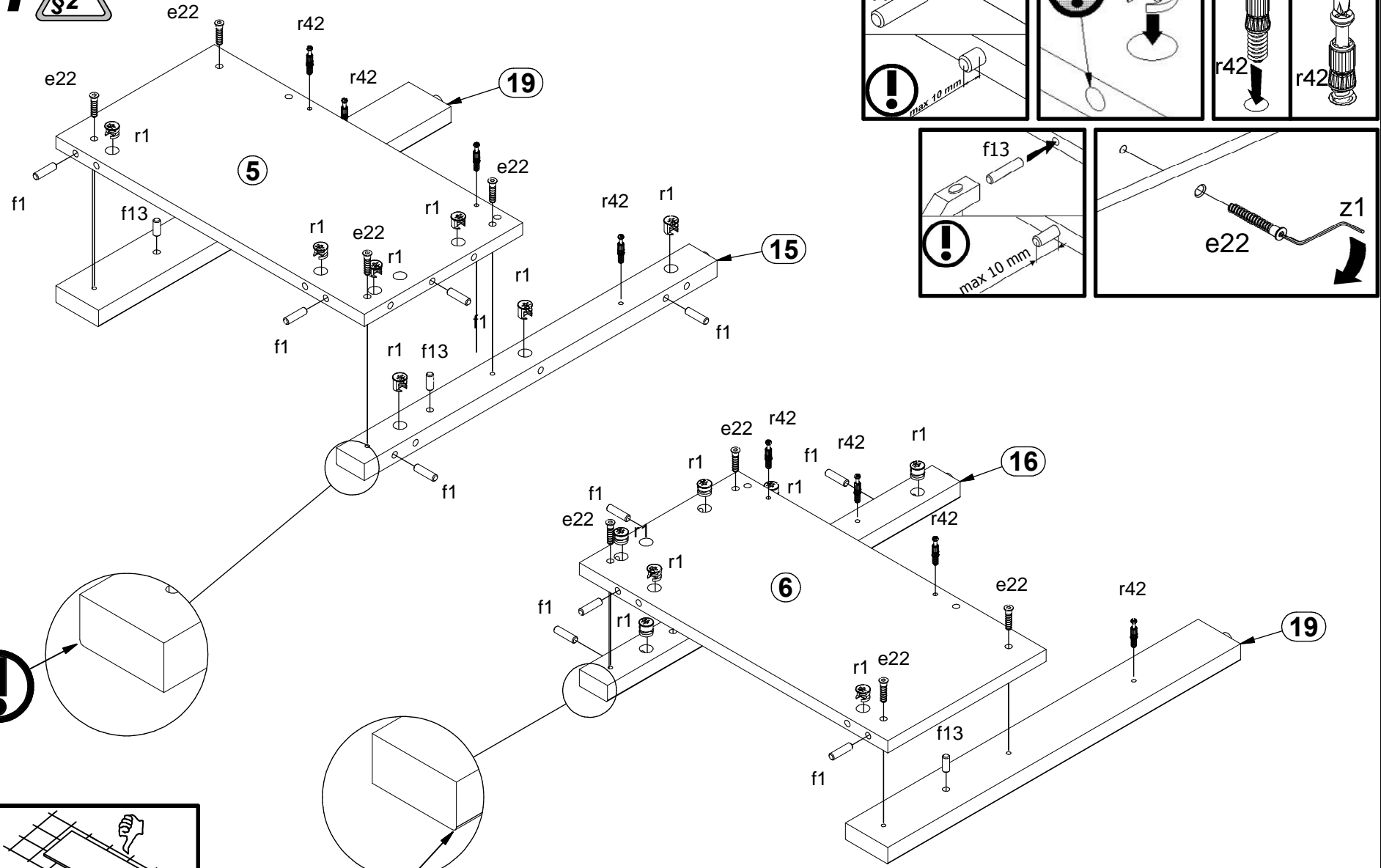



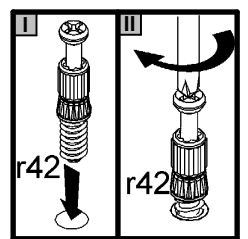
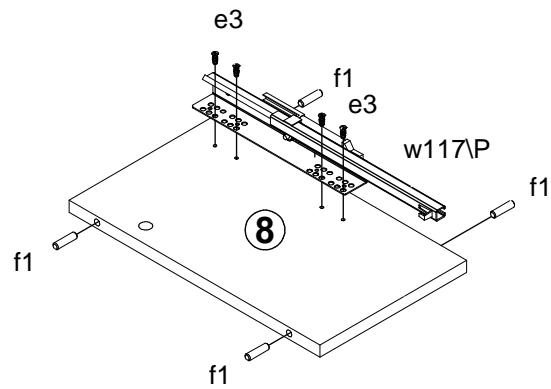
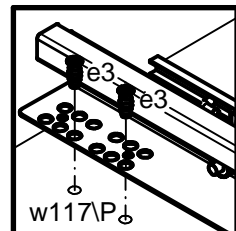
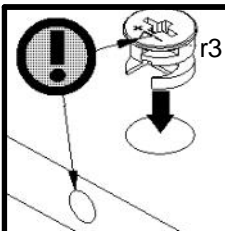
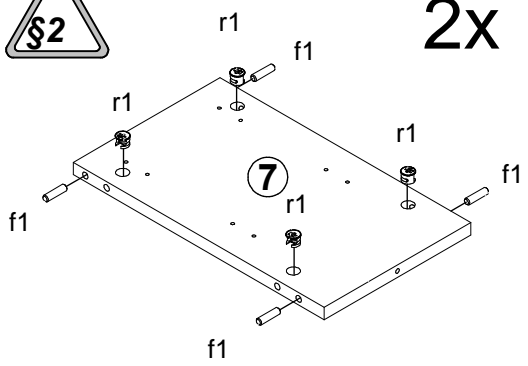
| A  | B         | C1    | C2   | C3  | D   |
|----|-----------|-------|------|-----|-----|
| 1  | S510-5091 | 123   | 65   | 22  | 1/3 |
| 2  | S510-5092 | 123   | 65   | 22  | 1/3 |
| 3  | S510-0058 | 396   | 224  | 16  | 1/3 |
| 4  | S510-0059 | 396   | 224  | 16  | 1/3 |
| 5  | S510-1063 | 243   | 473  | 16  | 1/3 |
| 6  | S510-1064 | 243   | 473  | 16  | 1/3 |
| 7  | S510-1065 | 220,  | 376  | 16  | 1/3 |
| 8  | S510-1066 | 220,  | 376  | 16  | 1/3 |
| 9  | S510-1067 | 220,  | 250  | 22  | 1/3 |
| 10 | S510-1068 | 160   | 266  | 22  | 1/3 |
| 11 | S510-2057 | 1890  | 500  | 32  | 3/3 |
| 12 | S510-3057 | 1804  | 393  | 22  | 2/3 |
| 13 | S510-3058 | 1836, | 473  | 32  | 2/3 |
| 14 | S510-4303 | 1804, | 220, | 16  | 3/3 |
| 15 | S510-5066 | 541   | 43   | 22  | 1/3 |
| 16 | S510-5067 | 541   | 43   | 22  | 1/3 |
| 17 | S510-5068 | 541   | 65   | 22  | 1/3 |
| 18 | S510-5069 | 541   | 65   | 22  | 1/3 |
| 19 | S510-5070 | 541   | 65   | 22  | 1/3 |
| 20 | WSP-9085  | 353   | 358  | 2,5 | 1/3 |
| 21 | ZQ6-503   | 350   | 180  | 12  | 1/3 |
| 22 | ZQ6-504   | 350   | 180  | 12  | 1/3 |
| 23 | ZQ6-5112  | 344   | 167  | 15  | 1/3 |

|                                |                           |                                  |                                |                        |                           |                           |                           |                          |                           |                             |                             |                                |
|--------------------------------|---------------------------|----------------------------------|--------------------------------|------------------------|---------------------------|---------------------------|---------------------------|--------------------------|---------------------------|-----------------------------|-----------------------------|--------------------------------|
| 2x<br><br>c453                 | 6x<br><br>e1<br>Ø7x50 mm  | 4x<br><br>p55<br>Ø2,9x16 mm      | 4x<br><br>j30<br>M4x22 mm      | 5x<br><br>k1           | 16x<br><br>e3<br>Ø6x13 mm | 8x<br><br>e22<br>Ø7x28 mm | 42x<br><br>f1<br>Ø8x30 mm | 1x<br><br>f6<br>Ø8x50 mm | 4x<br><br>f13<br>Ø8x20 mm | 8x<br><br>f25<br>Ø6,5x40 mm | 8x<br><br>p38<br>Ø3,5x16 mm | 12x<br><br>r3<br>Ø15x15 mm #22 |
| 25x<br><br>r1<br>Ø15x12 mm #16 | 2x<br><br>r10             | 8x<br><br>r15<br>Ø12x10,5 mm #12 | 41x<br><br>r42<br>20/11        | 2x<br><br>350 mm W117L | 2x<br><br>350 mm W117P    | 1x<br><br>z1              | 4x<br><br>s2<br>Ø16       | 2x<br><br>s3<br>Ø60      |                           |                             |                             |                                |
| 2x<br><br>f35<br>Ø10x50 mm     | 2x<br><br>p17<br>Ø5x60 mm | 4x<br><br>p38<br>Ø3,5x16 mm      | 2x<br><br>n142<br>88x21x15/1,5 |                        |                           |                           |                           |                          |                           |                             |                             |                                |

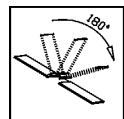
- 14x  r1  
Ø15x12 mm #16
- 10x  f1  
Ø8x30 mm
- 4x  f13  
Ø8x20 mm
- 8x  e22  
Ø7x28 mm
- 8x  r42  
20/11



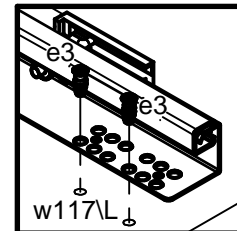
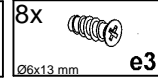
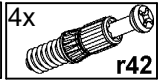
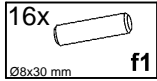
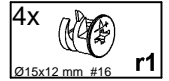
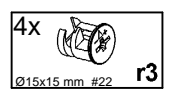
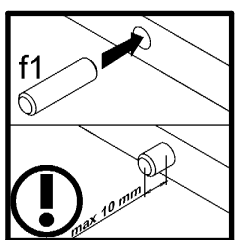
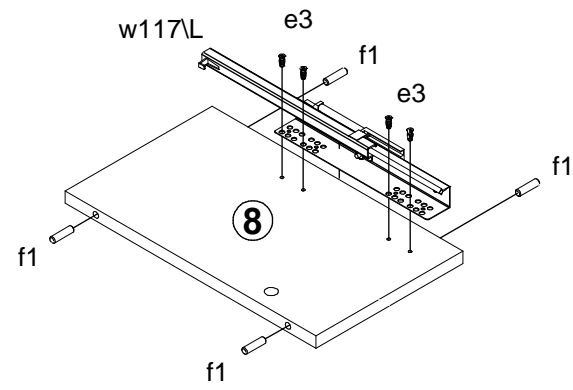
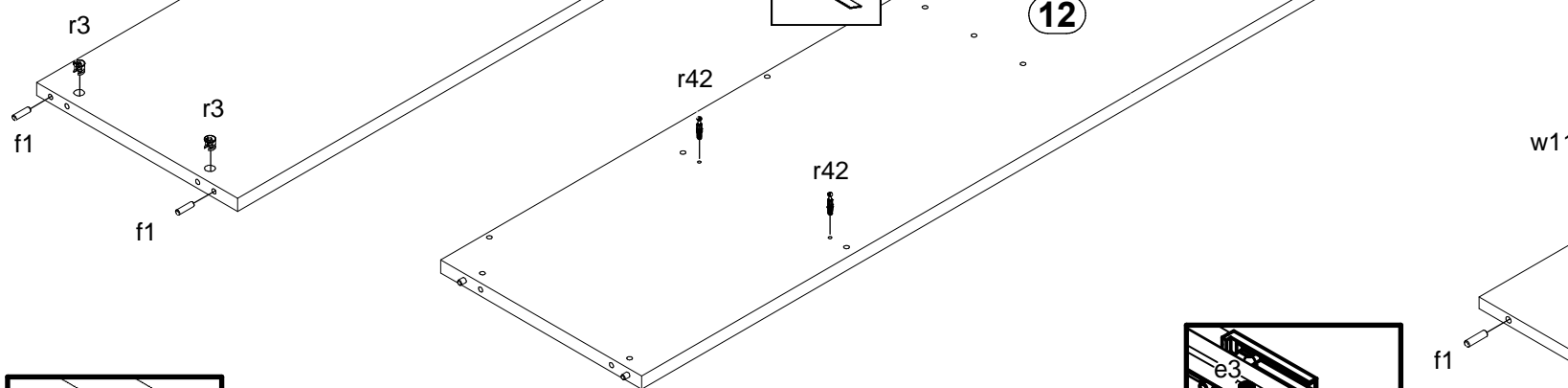
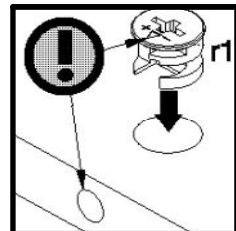
1  2x



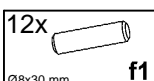
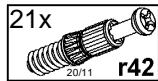
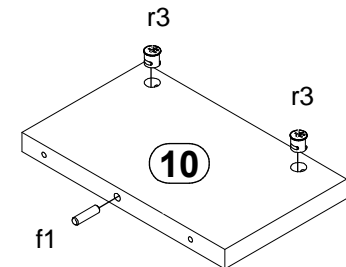
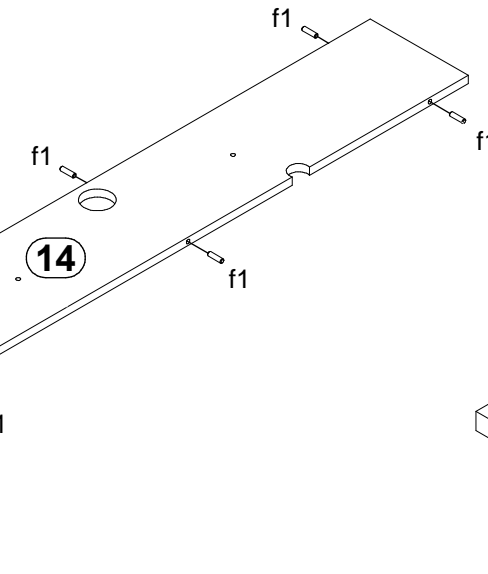
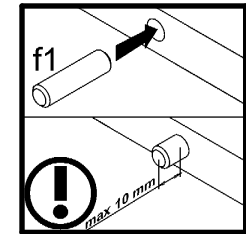
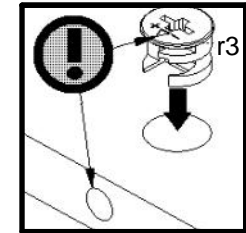
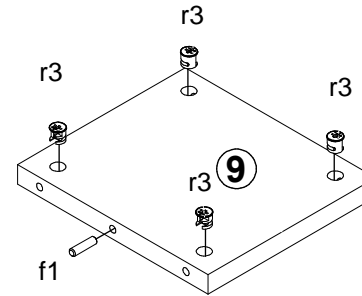
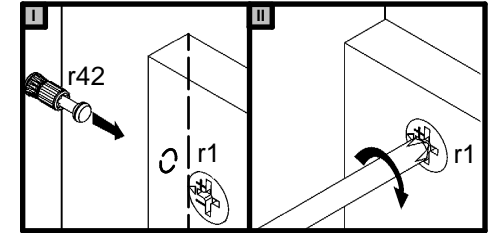
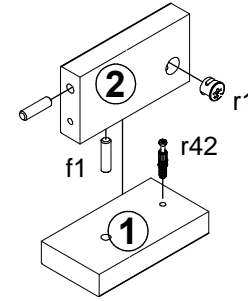
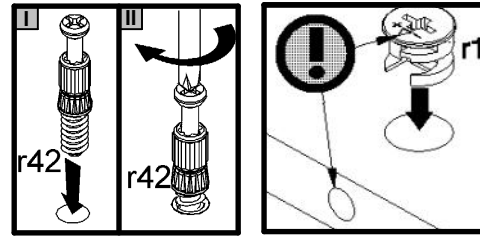
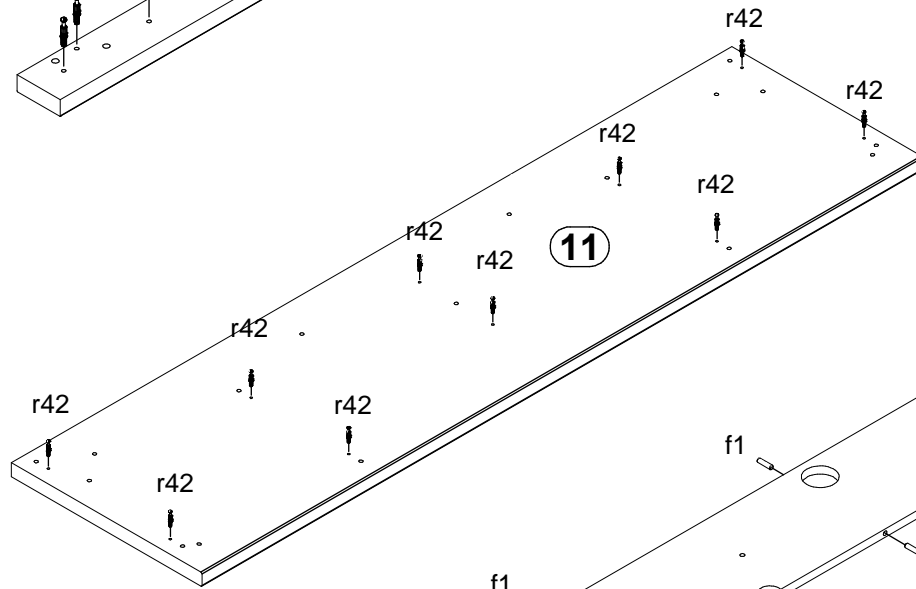
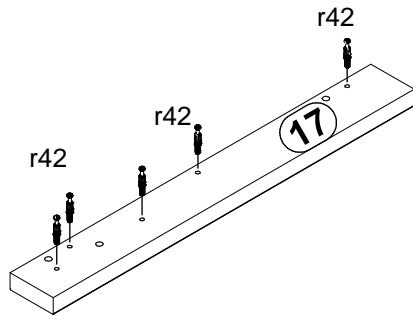
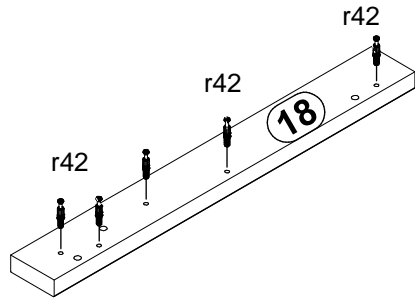
12

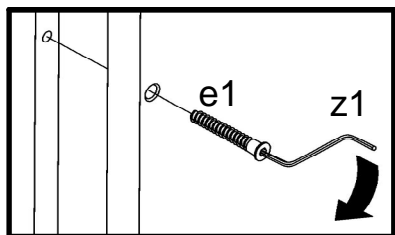


12

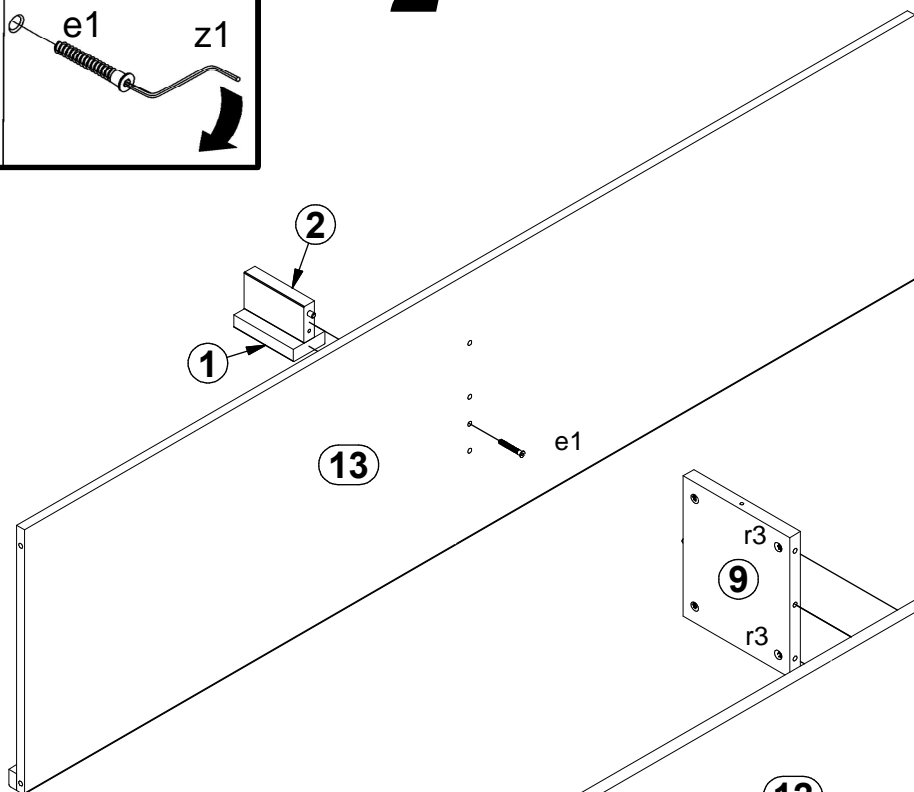
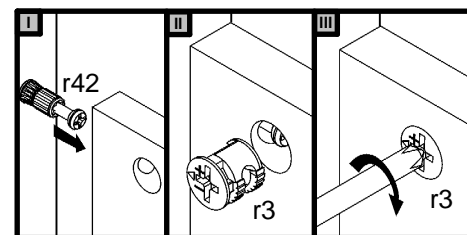


1

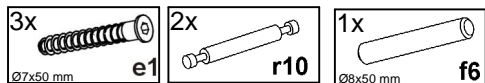
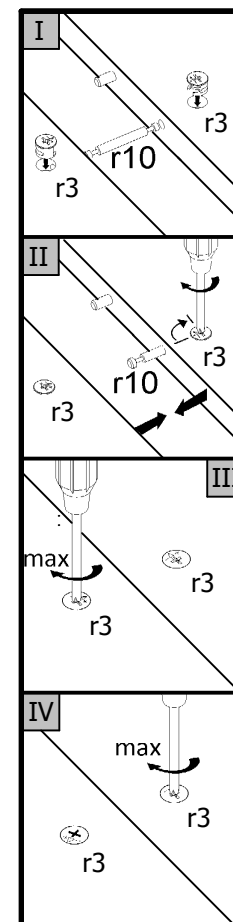
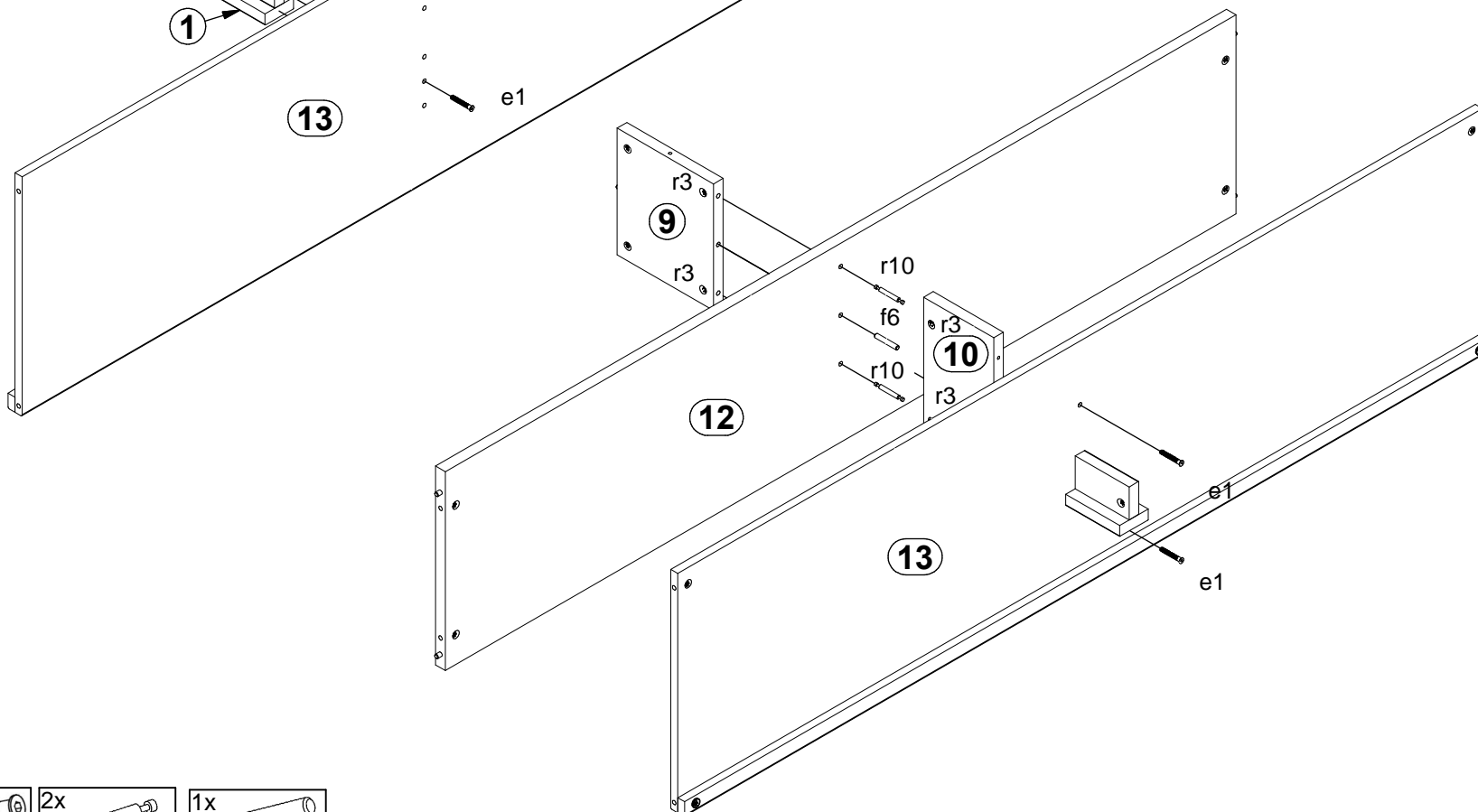




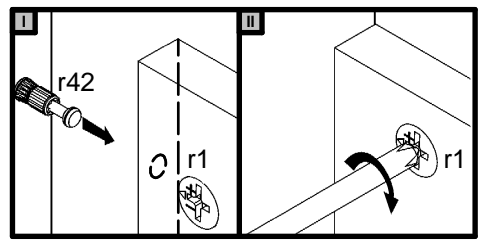
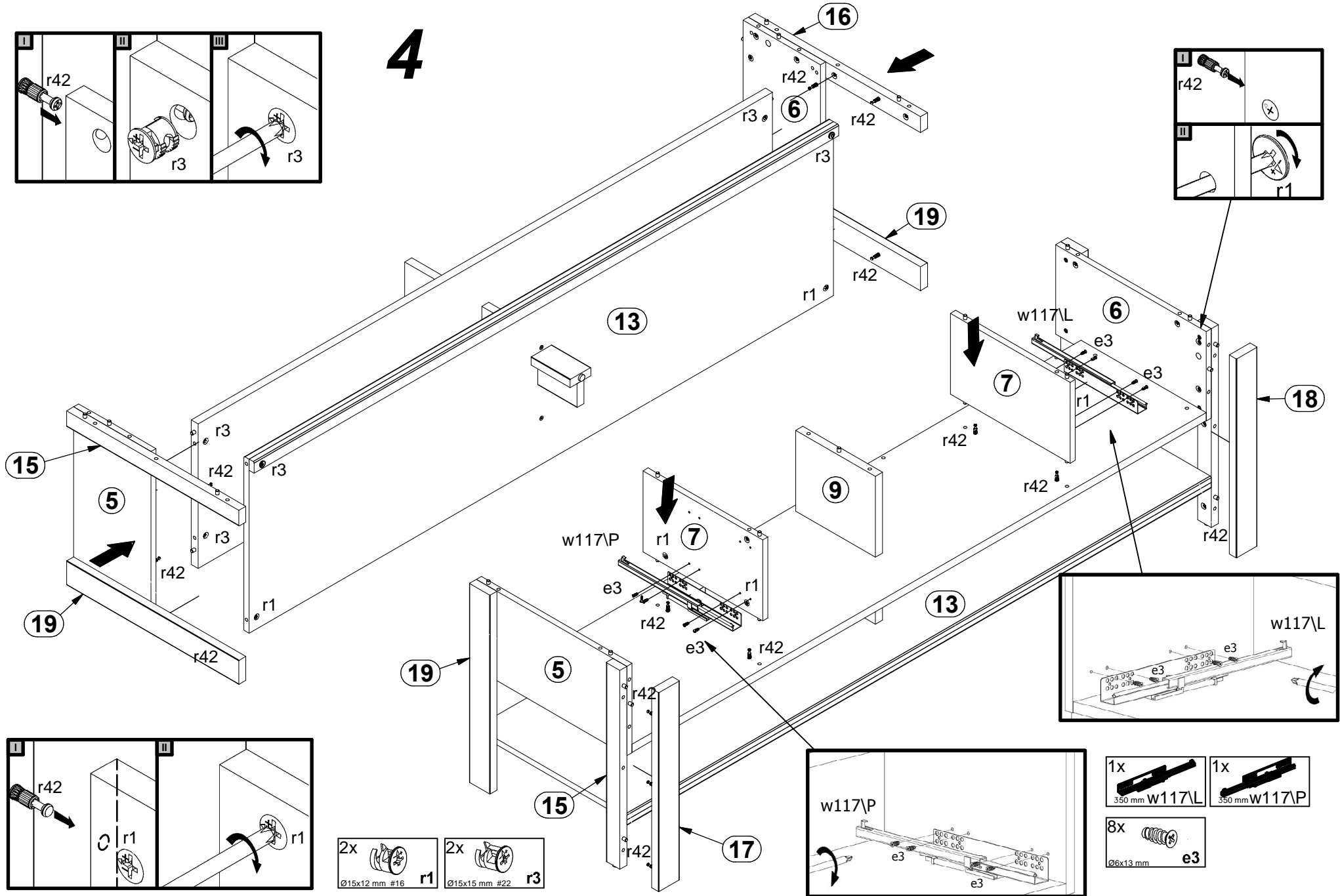
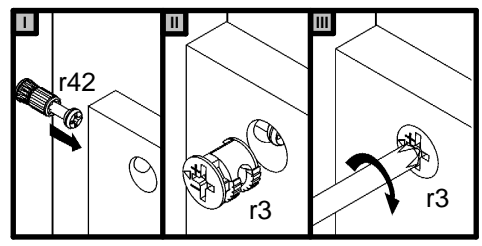
2



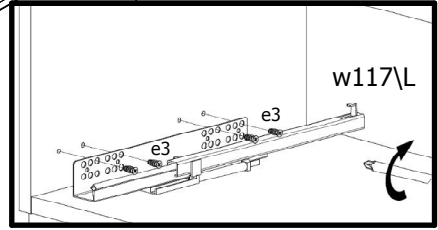
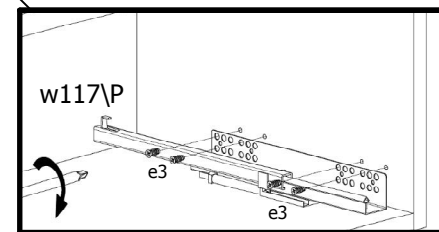
3



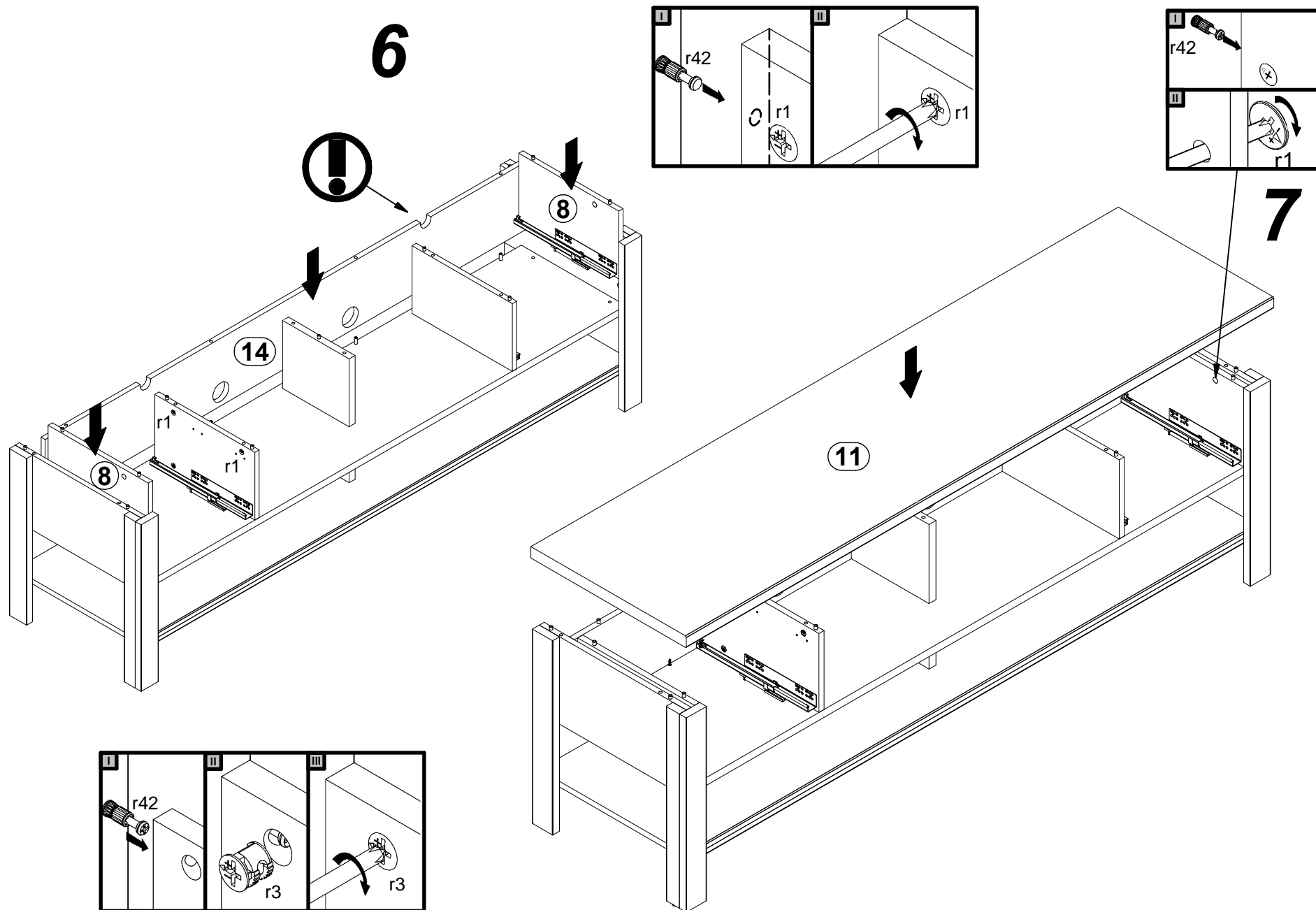
4



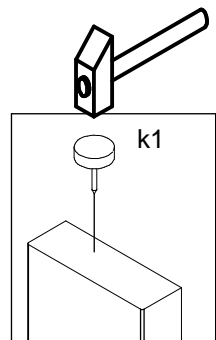
- 2x r1 Ø15x12 mm #16
- 2x r3 Ø15x15 mm #22



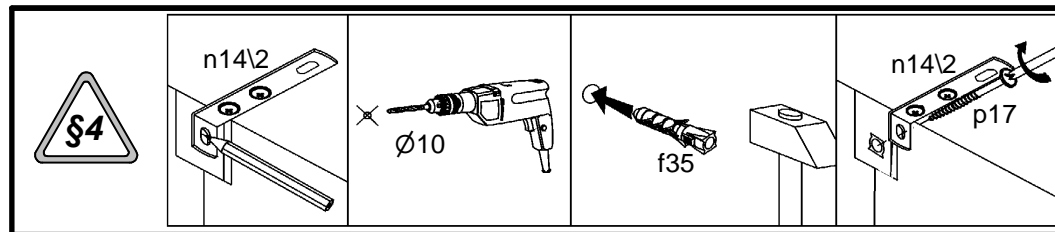
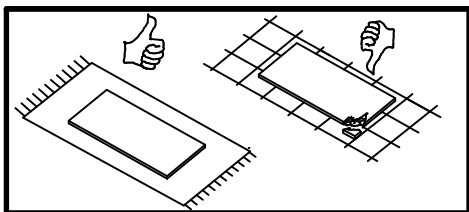
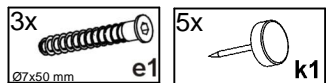
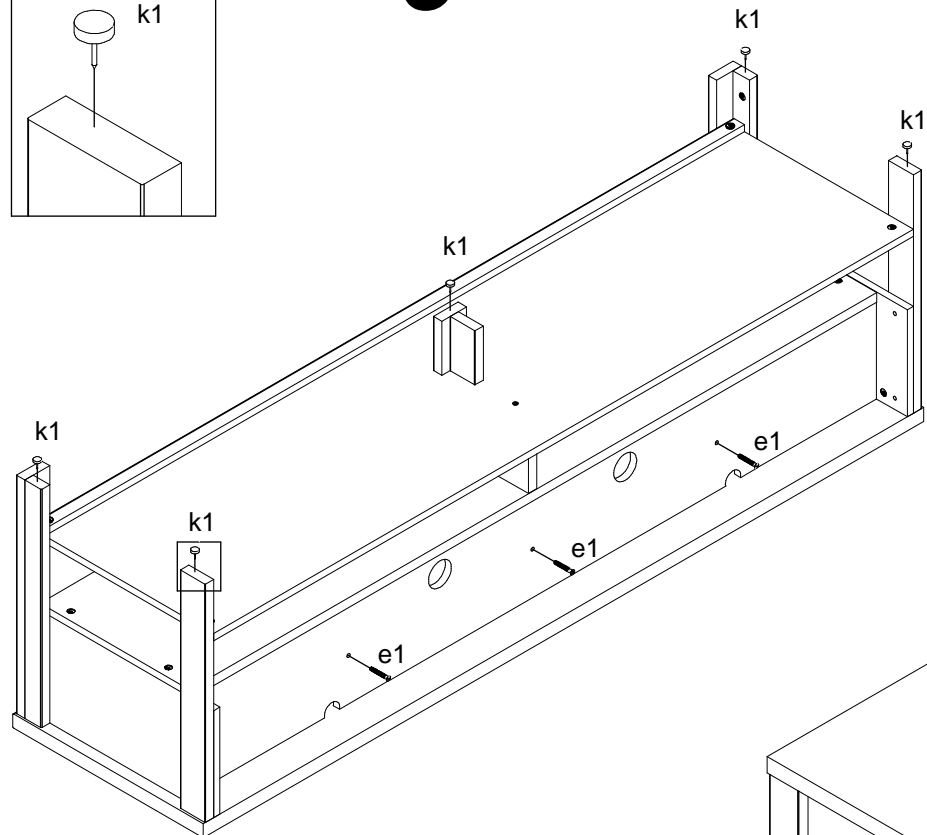
- 1x 350 mm W117\L
- 1x 350 mm W117\P
- 8x e3 Ø6x13 mm



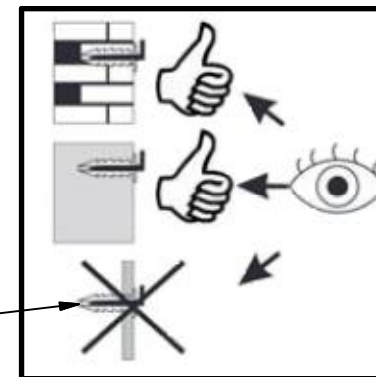
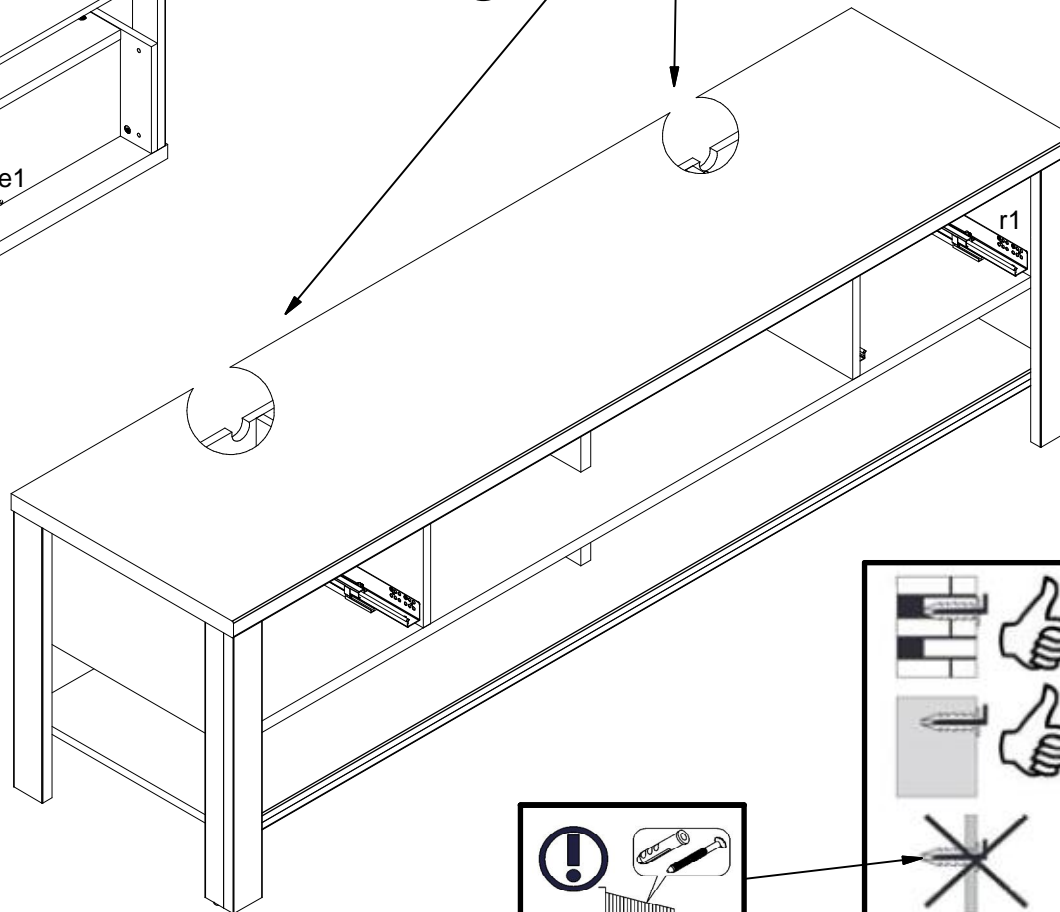
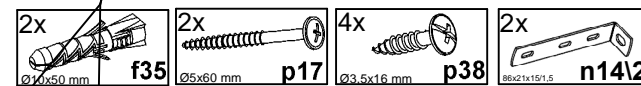




8



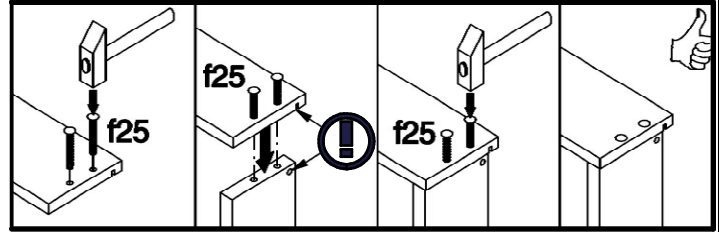
9



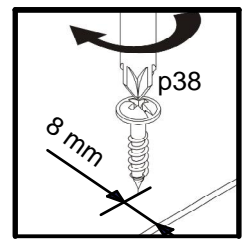
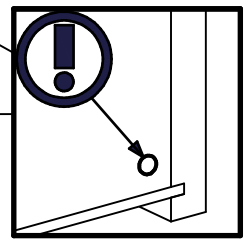
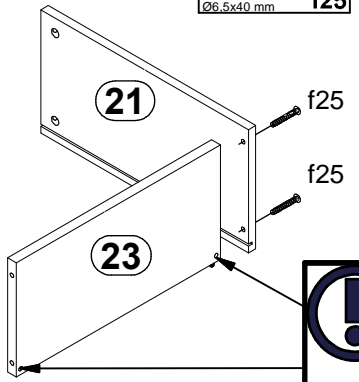
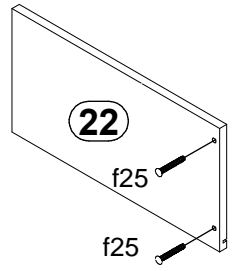
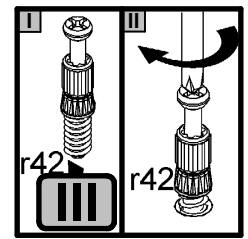
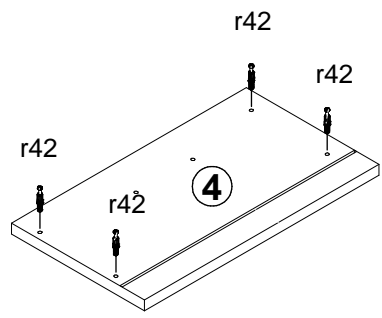
§6 §7 I 10

II

8x f25  
Ø6.5x40 mm

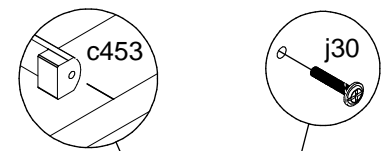
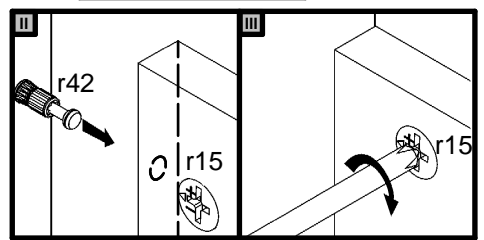
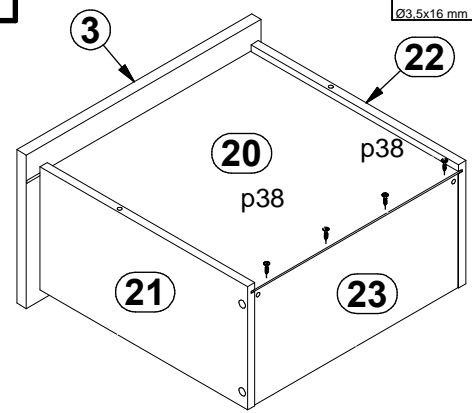
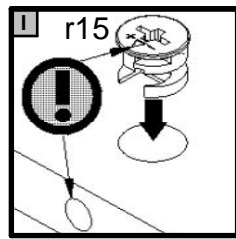
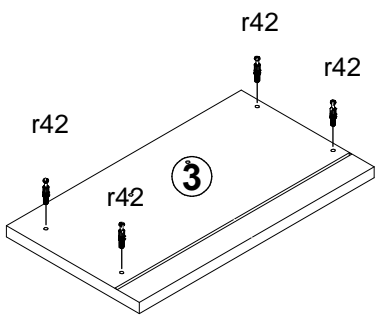


8x r42

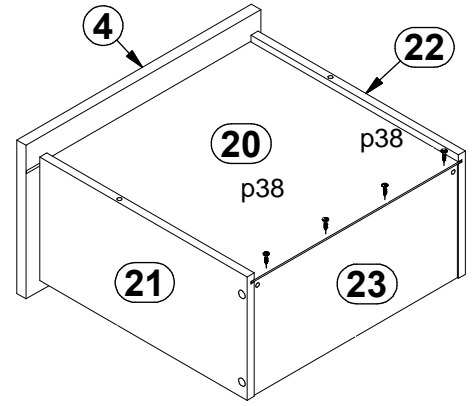
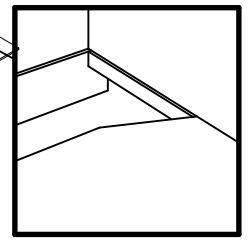
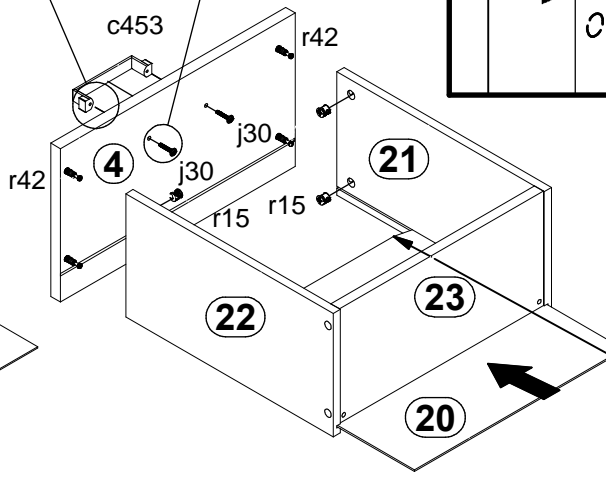
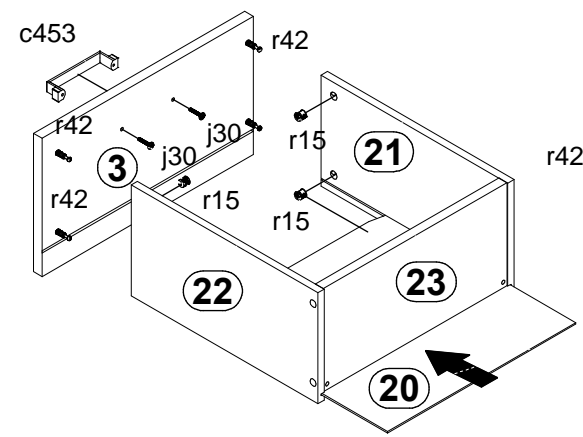


IV

8x p38  
Ø3.5x16 mm



III



2x c453

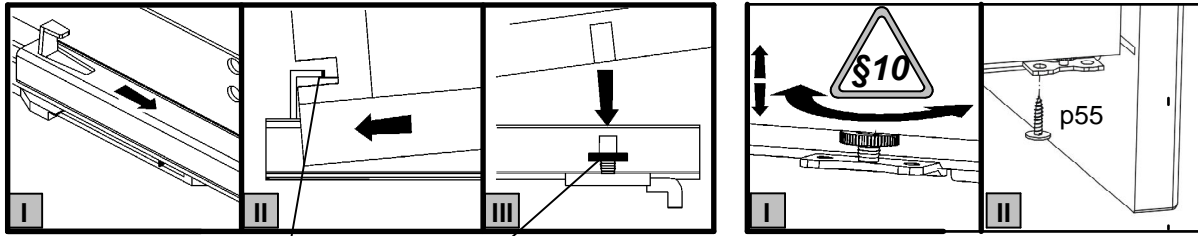
4x j30  
M4x22 mm

8x r15  
Ø12x10.5 mm #12

A

S510-RTV2S/6/19

10G3--32



11

