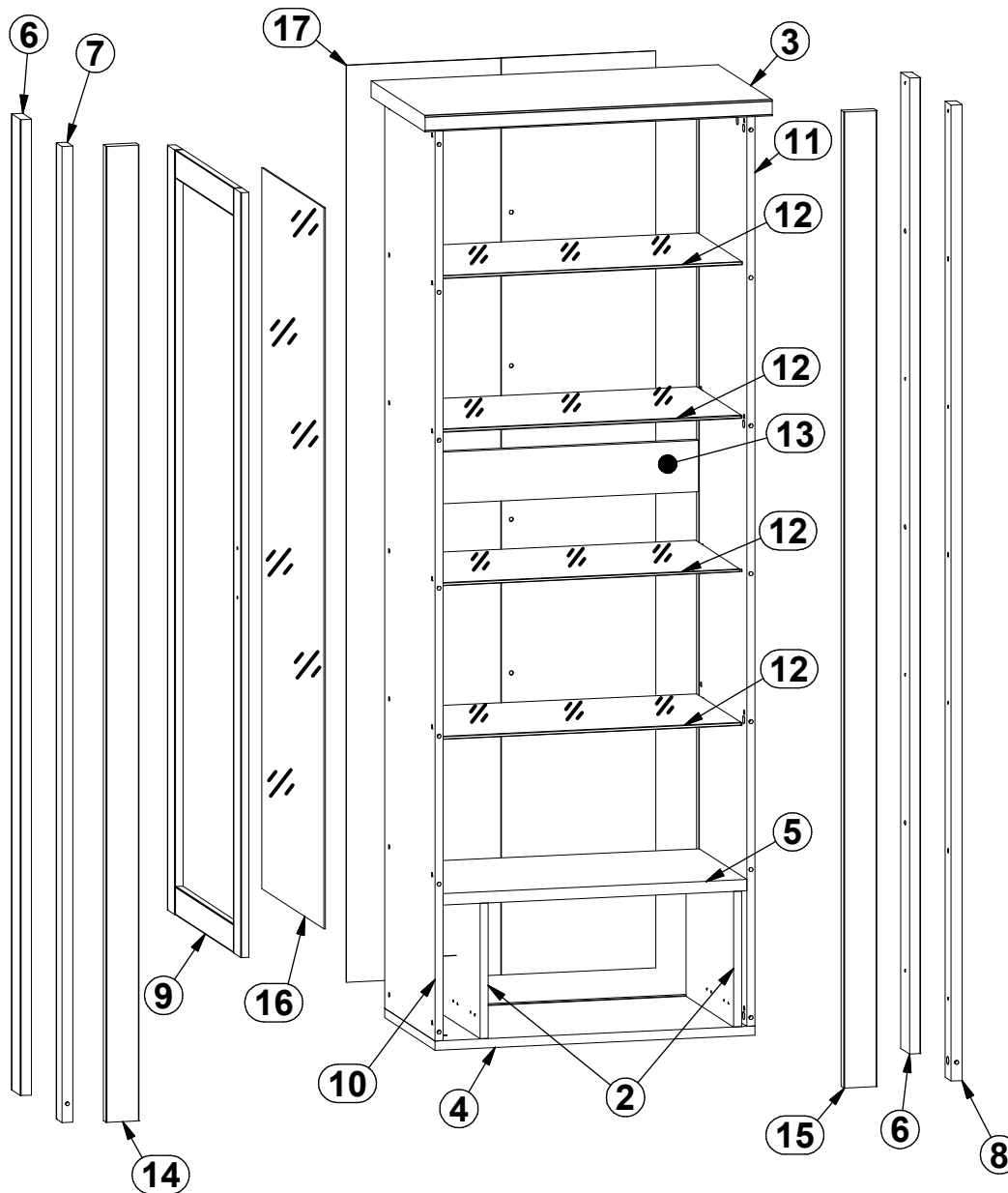
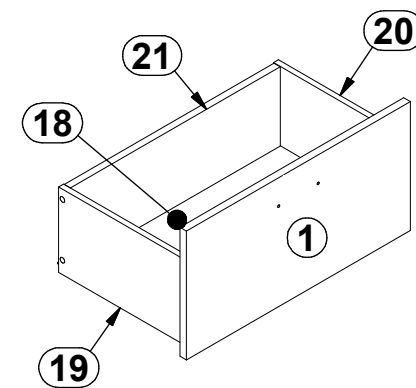


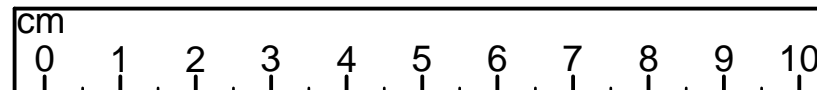
3x a202	3x b89
2x c453	16x d33
4x e1 Ø7x50 mm	8x e3 Ø6x13 mm
16x e22 Ø7x28 mm	28x f1 Ø8x30 mm
12x f13 Ø8x20 mm	4x f25 Ø6,5x40 mm
4x j30 M4x22 mm	4x k1
12x l2	12x l3
1x p25 Ø3,5x16 mm	1x p35 Ø3,5x10 mm
8x p38 Ø3,5x16 mm	6x p51 Ø3,5x15 mm
12x p61 Ø3,5x16 mm	2x p55 Ø2,9x16 mm
4x o85\1	1x o80\11 12W
1x o80\3	22x r1 Ø15x12 mm #16
4x r15 Ø12x10,5 mm #12	26x r42 20/11
10x s2 Ø16	1x w125\L 300mm
1x t25 300 mm	1x z1
1x w125\P 300mm	1x d4 Ø6,3x15 mm

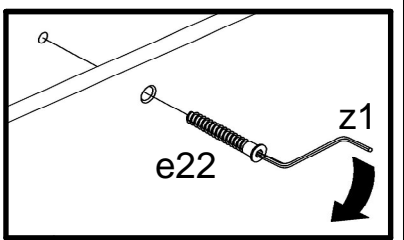
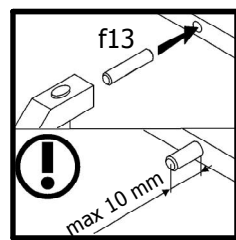
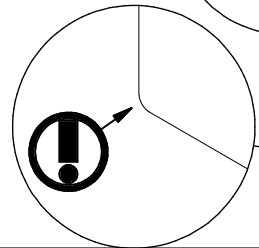
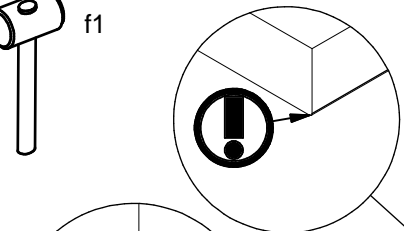
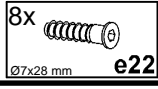
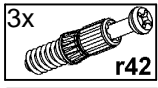
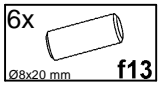
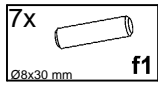
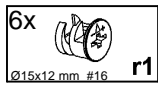
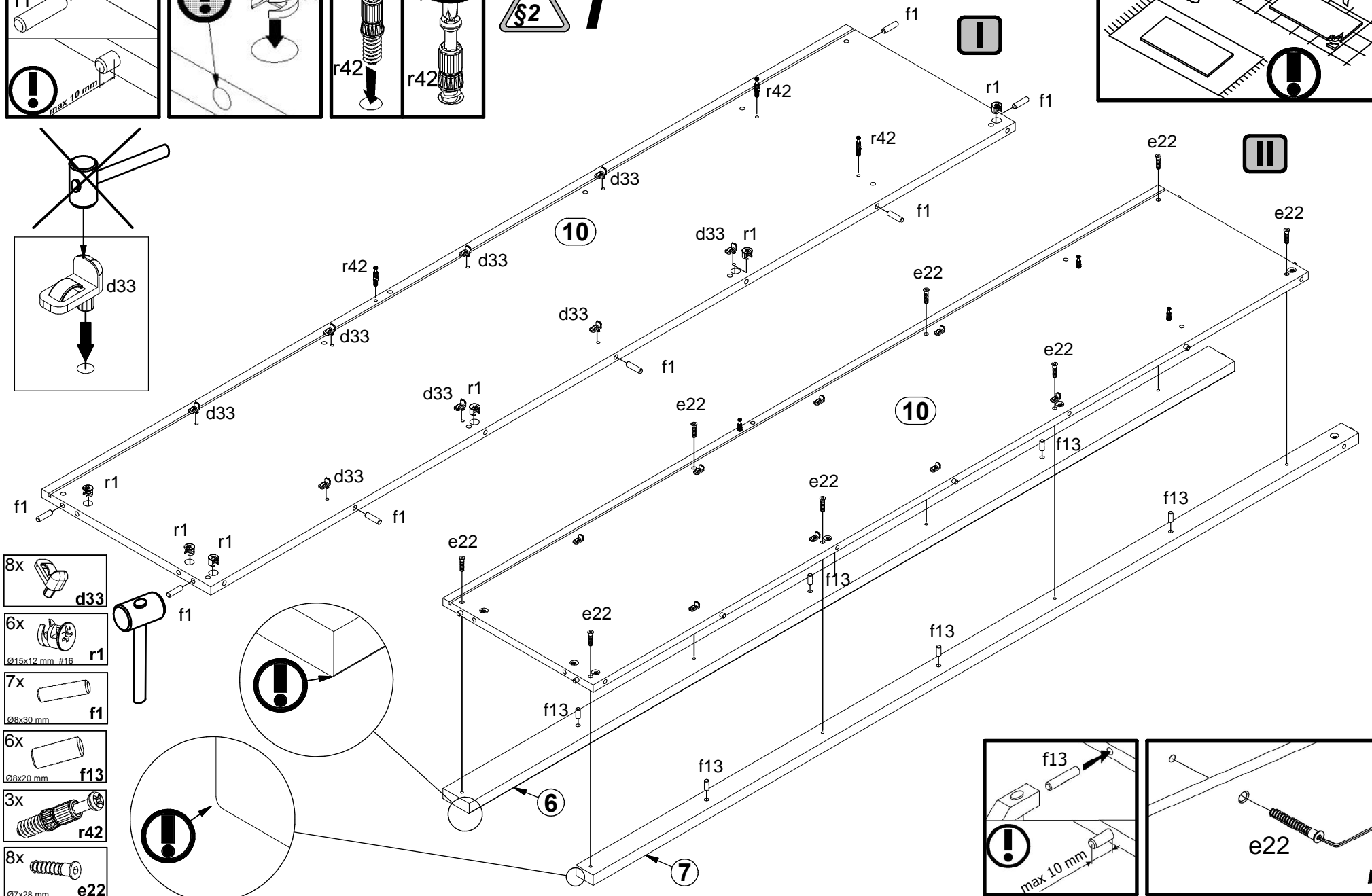
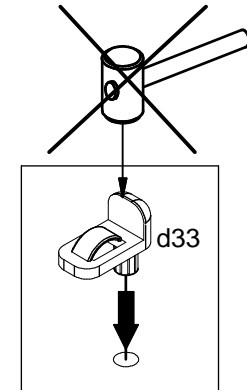
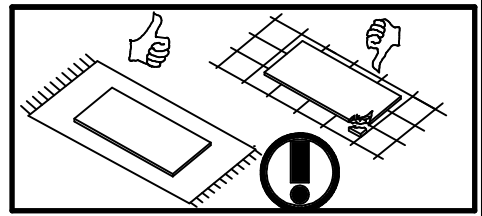
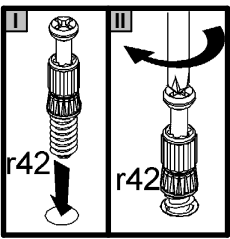
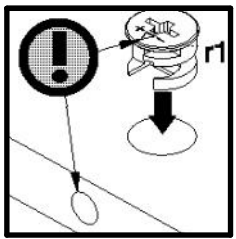
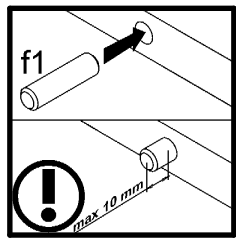


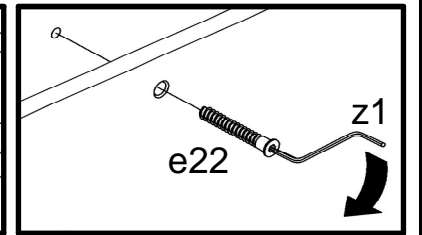
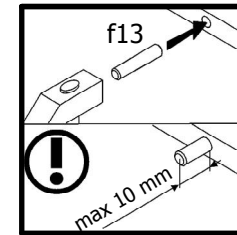
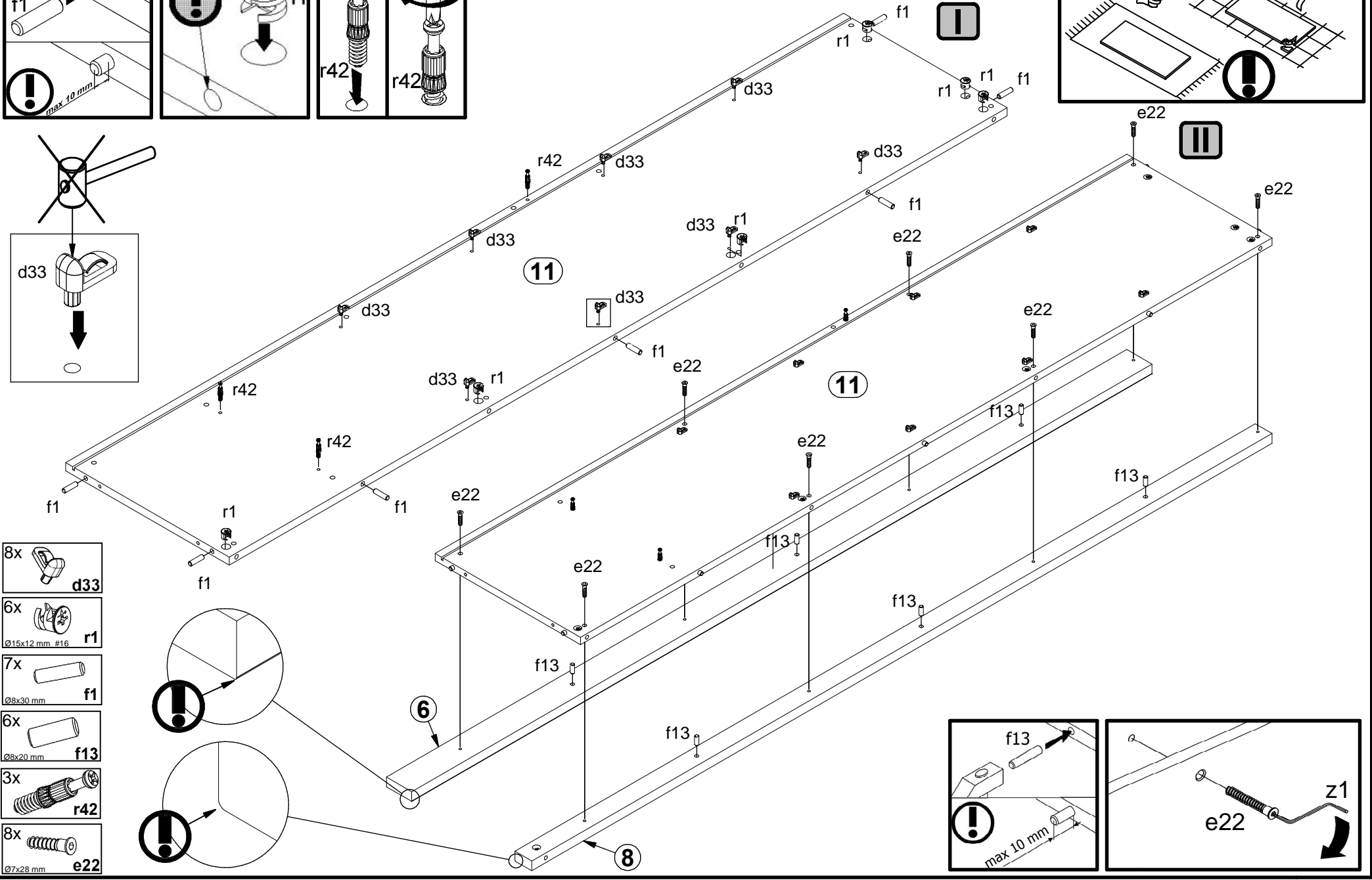
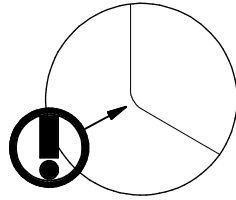
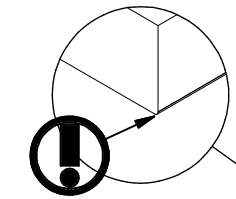
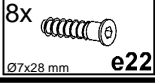
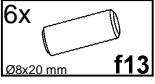
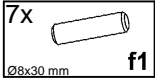
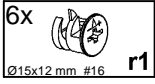
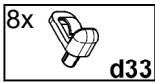
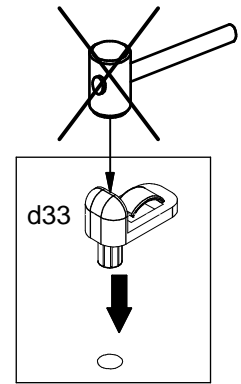
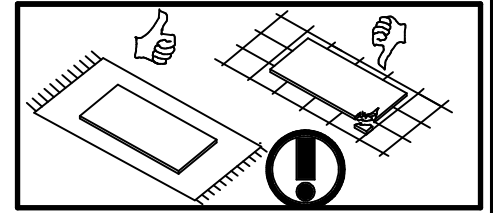
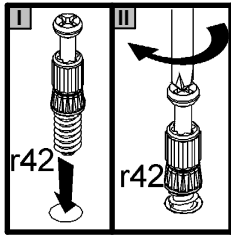
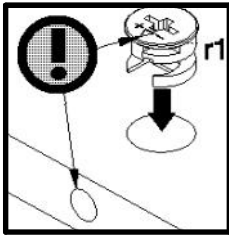
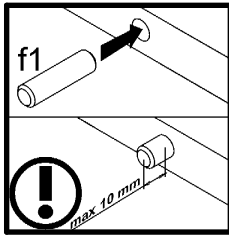
A	B	C1	C2	C3	D
1	M249-0007	545	272	16	2/3
2	M249-1011	264,	353	16	2/3
3	M249-2007	690	400	32	1/3
4	M249-2008	636	373	18	1/3
5	M249-3007	604	353	22	1/3
6	M249-5016	1900	65	22	3/3
7	M249-5017	1900,	43	22	3/3
8	M249-5018	1900,	43	22	3/3
9	S510-0003	1489	545	16	2/3
10	S510-1004	1775	373	16	2/3
11	S510-1005	1775	373	16	2/3
12	S510-3003	597	330	6,	1/3
13	S510-4002	604,	100	16	2/3
14	S510-5015	1900	65	22	3/3
15	S510-5016	1900	65	22	3/3
16	S510-5503	1404	460	3	2/3
17	S510-9302	1785,	615,	2,5	3/3
18	WSP-9310	908,	358	2,5	1/3
19	ZQ6-501	300	180	12	1/3
20	ZQ6-502	300	180	12	1/3
21	ZQ6-5103	511	167	15	1/3

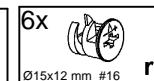
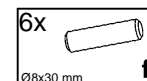
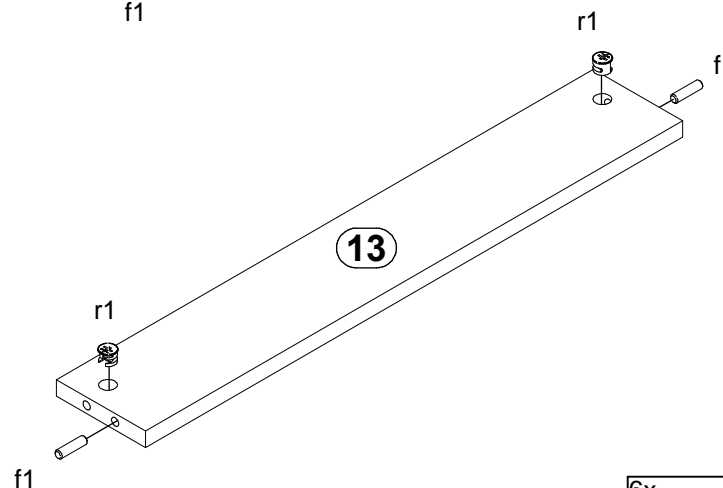
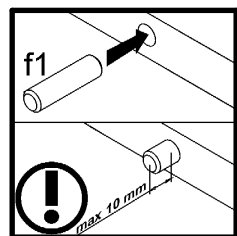
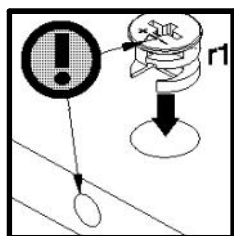
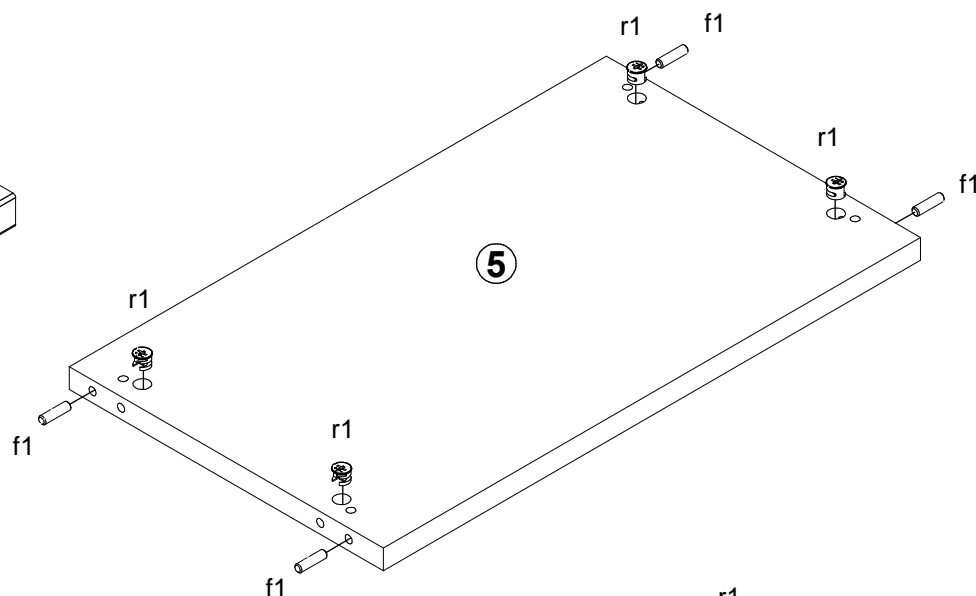
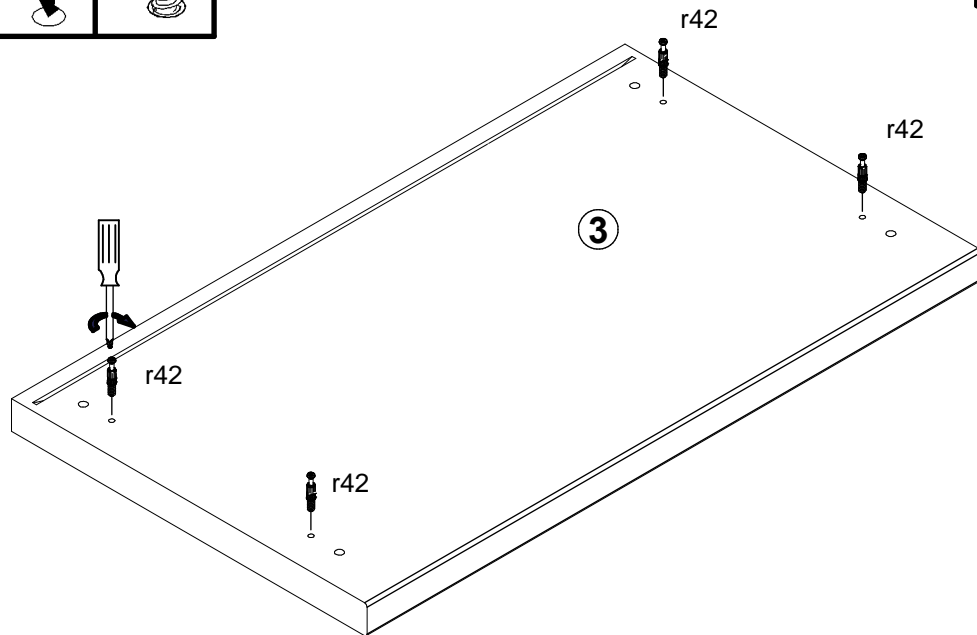
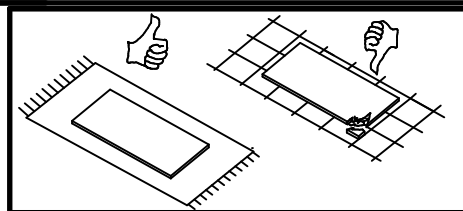
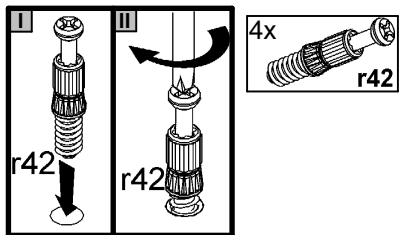


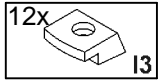
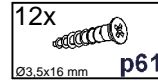
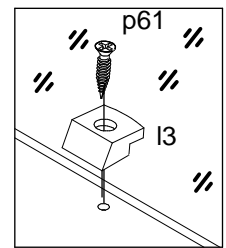
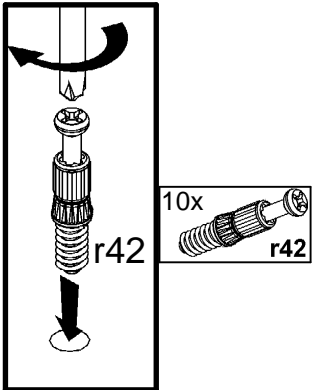
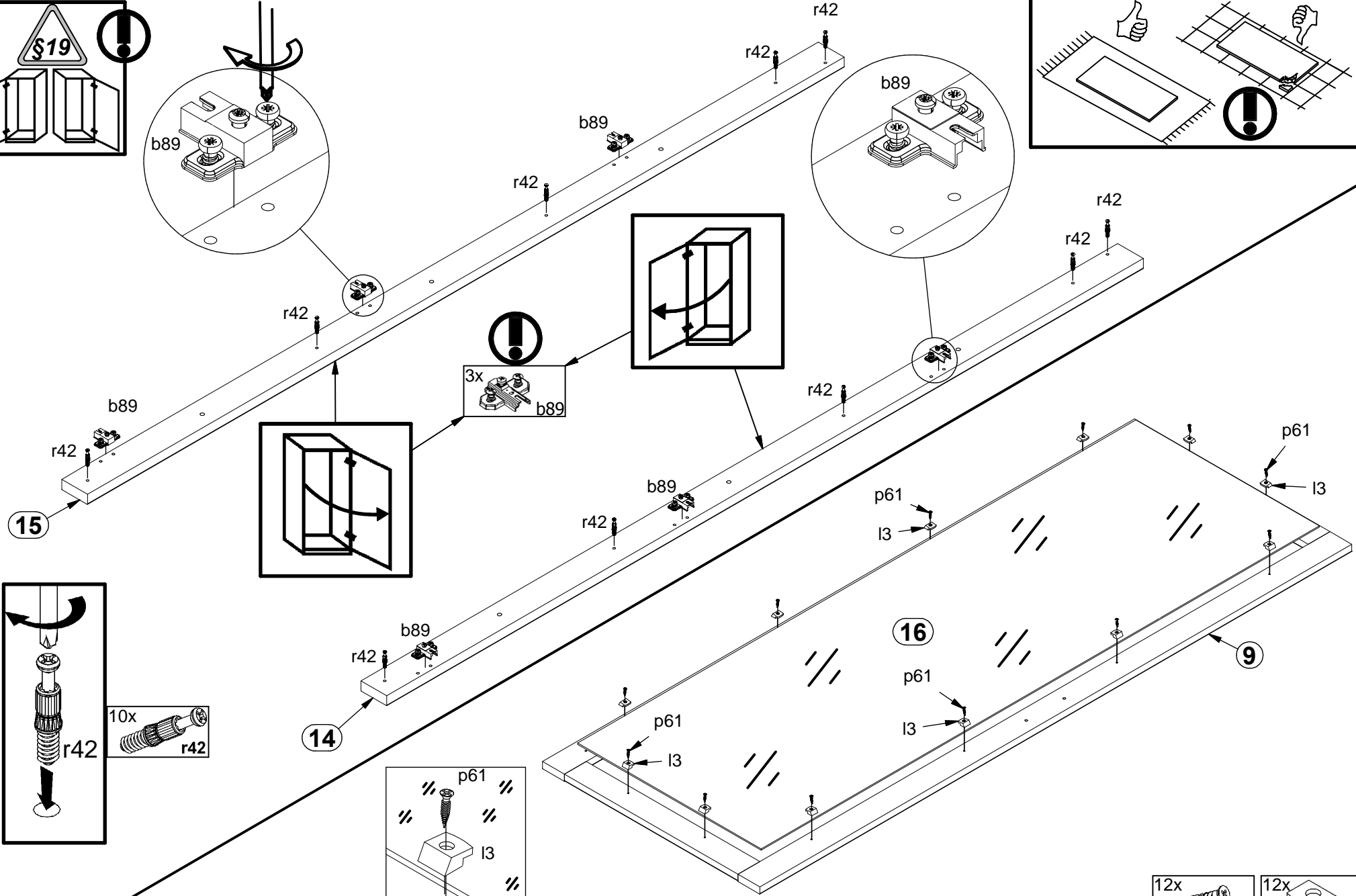
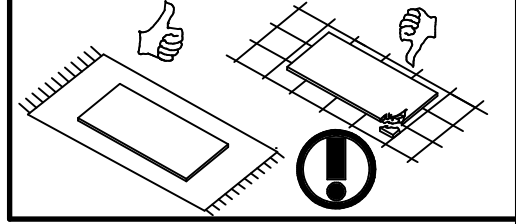
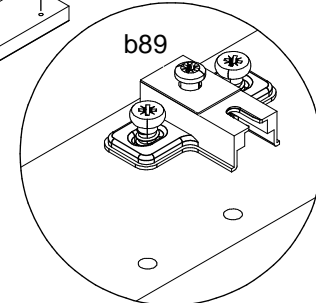
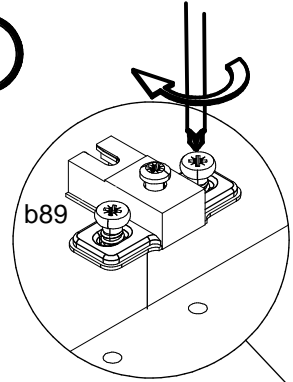
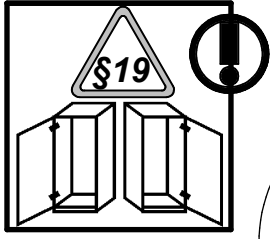
1x f35 Ø10x50 mm	1x p17 Ø5x60 mm	2x p38 Ø3,5x16 mm	1x n142 88x21x15/1,5
------------------------	-----------------------	-------------------------	----------------------------

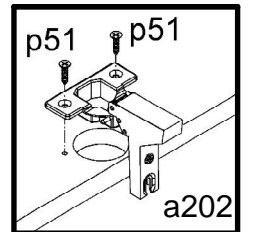
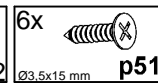
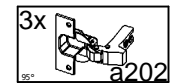
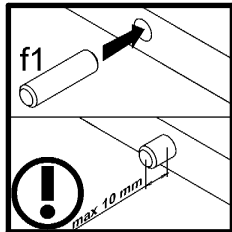
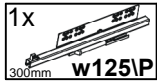
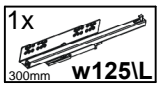
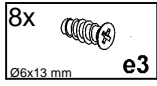
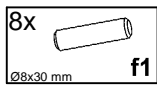
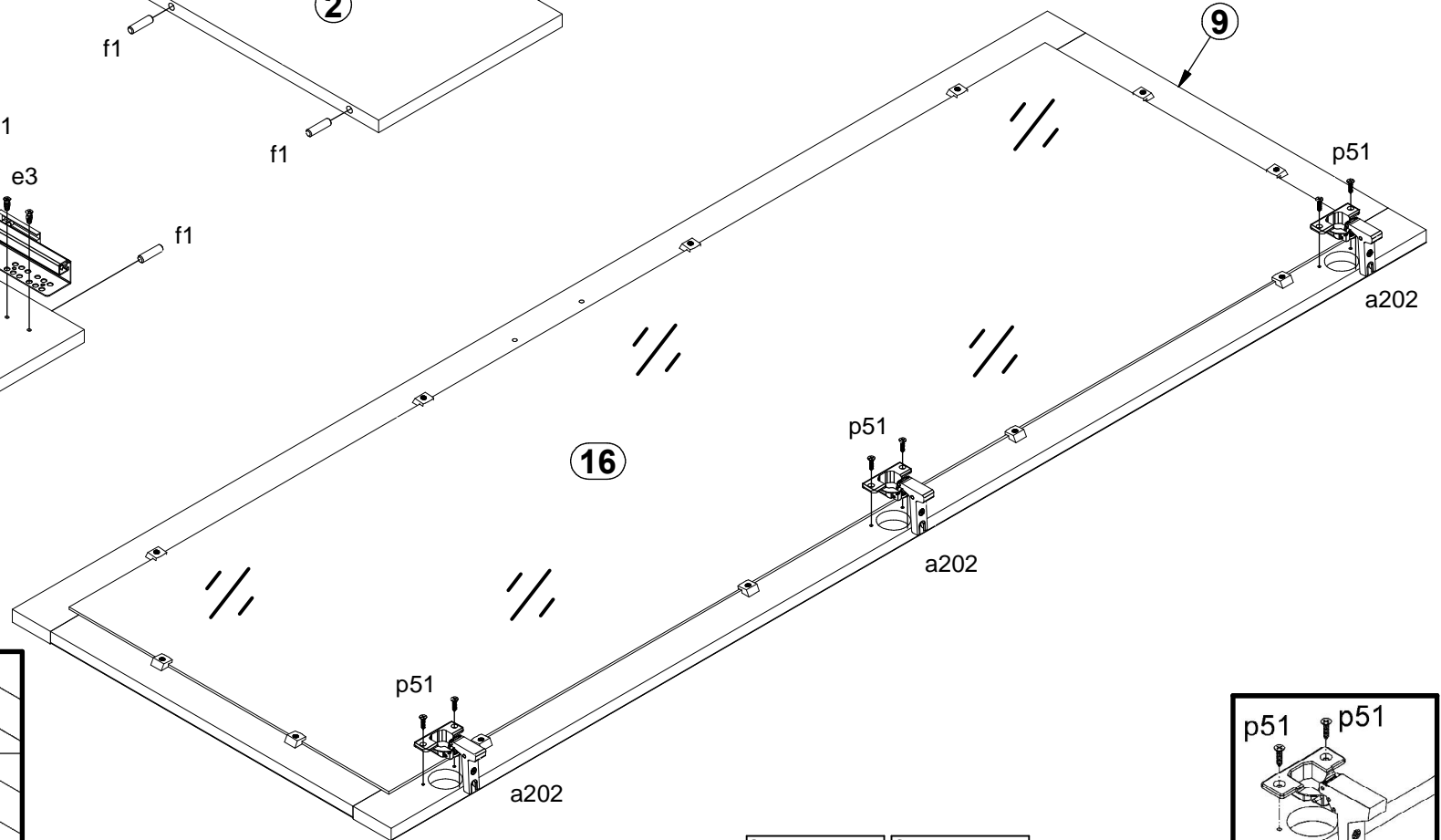
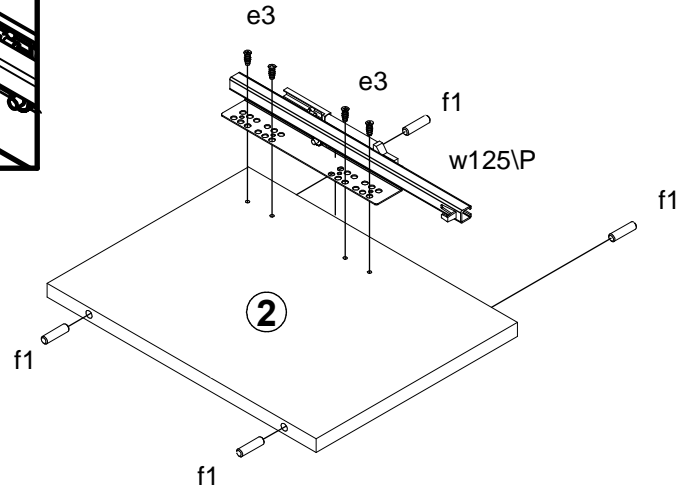
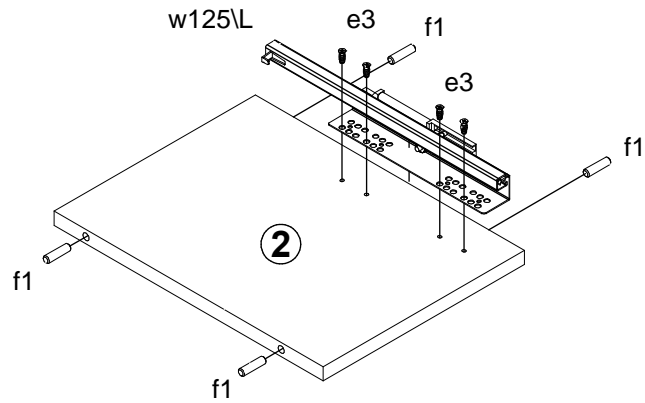
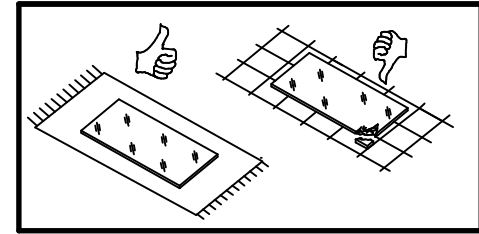
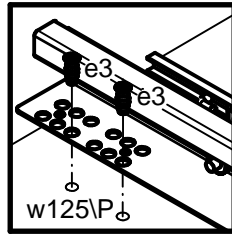
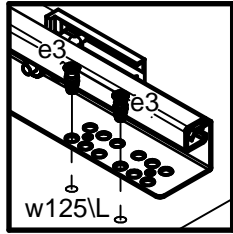












I

4x r42

2

§6

§7

II

4x f25
Ø6.5x40 mm

III

c453

j30

r42

r15

18

19

20

21

I r15

II r42

III r15

1x c453

2x j30
M4x22 mm

4x r15
Ø12x10.5 mm #12

IV

18

19

21

p25

p38

p35

t25

p25

t25

p38

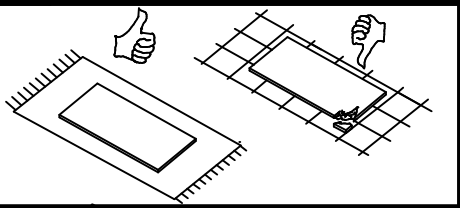
8 mm

1x t25
300 mm

1x p25
Ø3.5x16 mm

1x p35
Ø3.5x10 mm

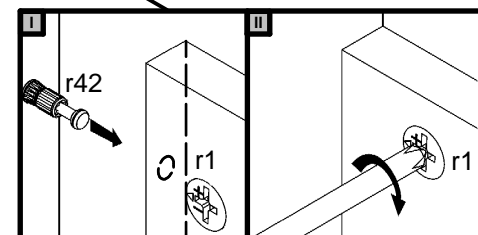
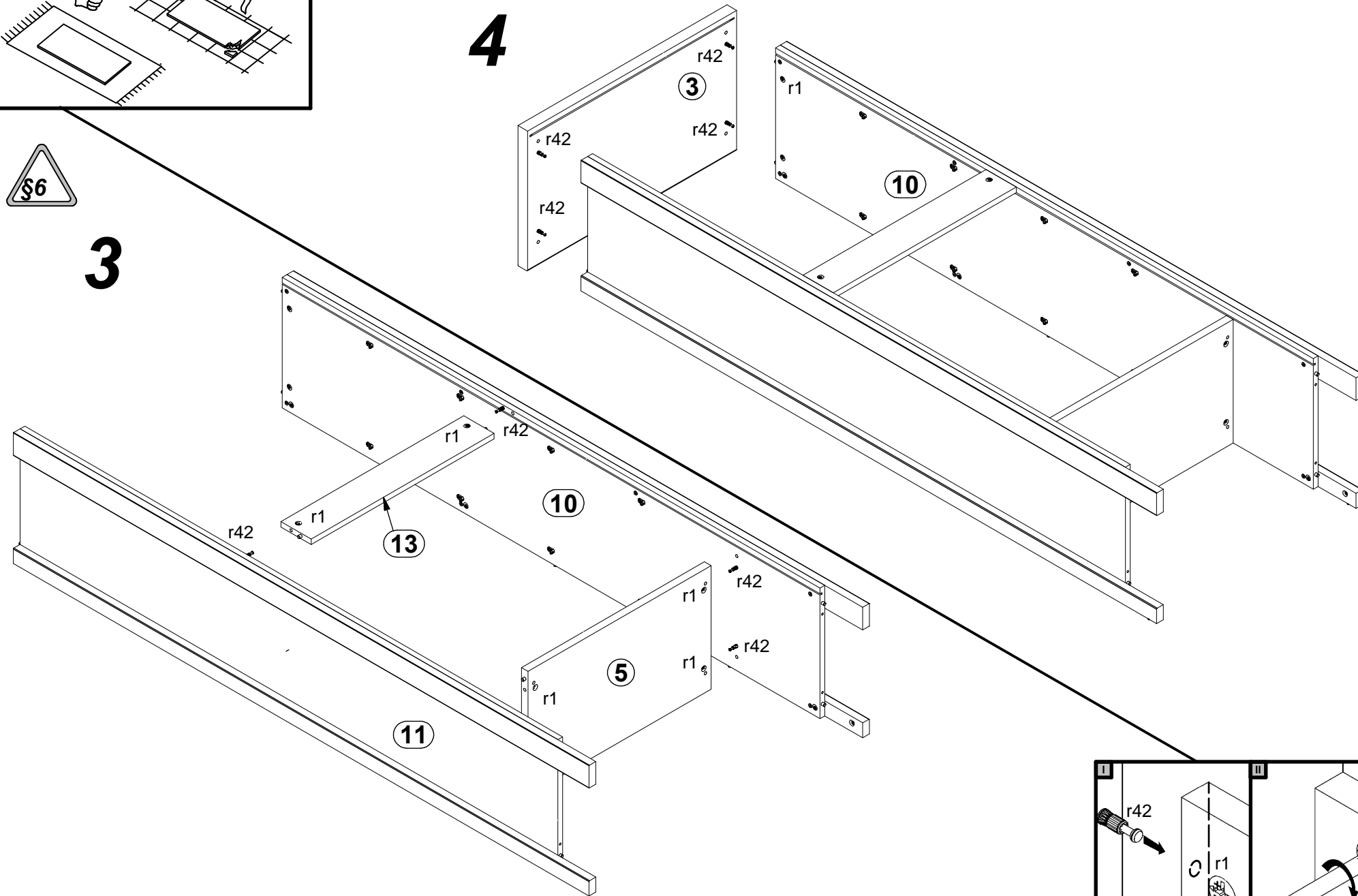
4x p38
Ø3.5x16 mm

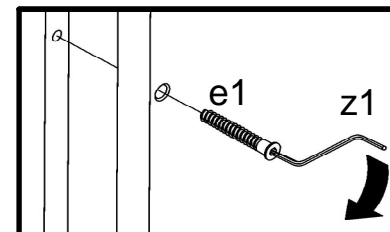
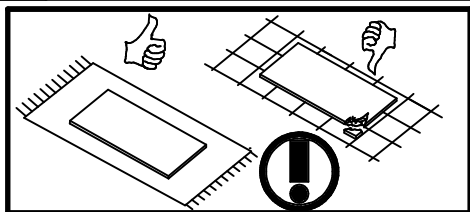


4



3

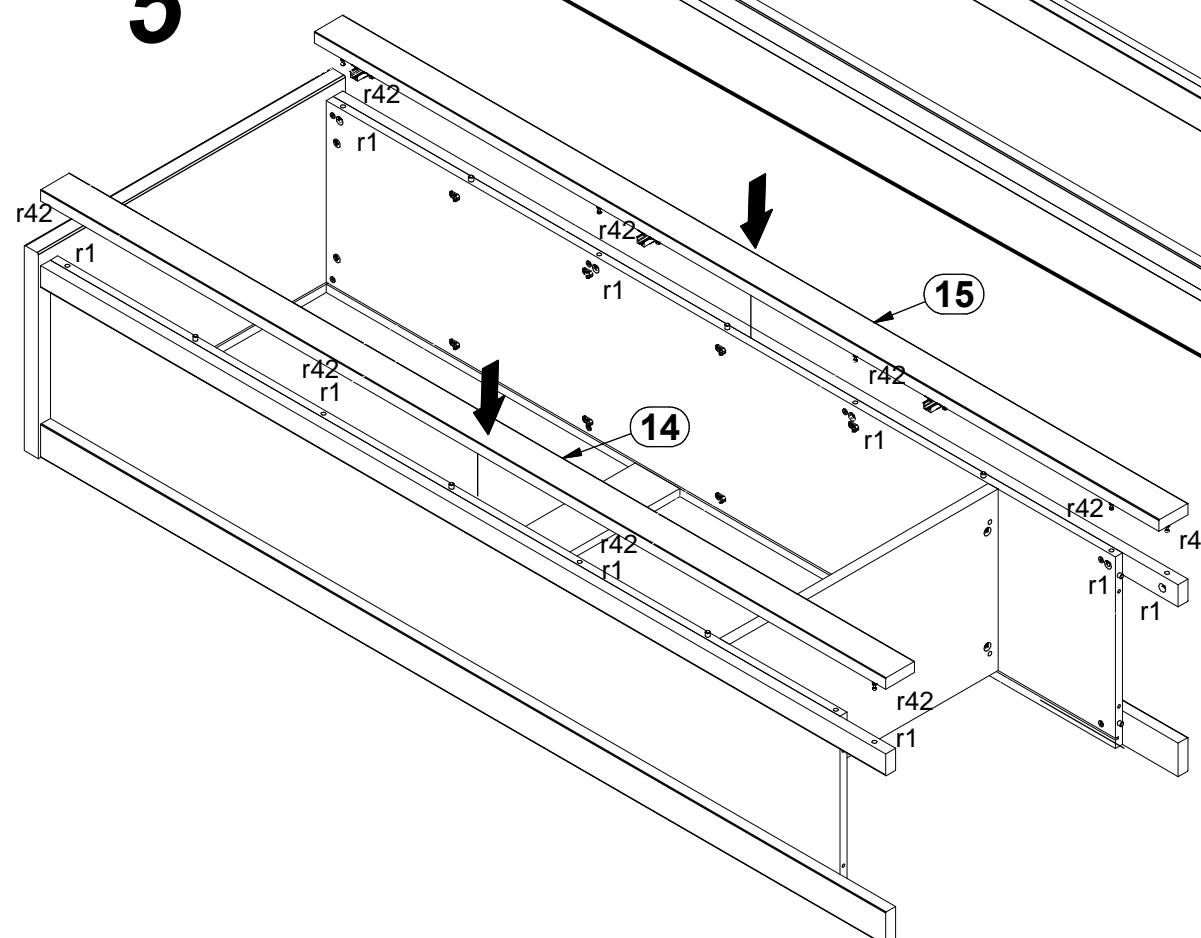




6

17

5



11

2

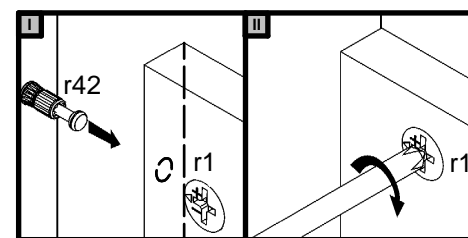
2

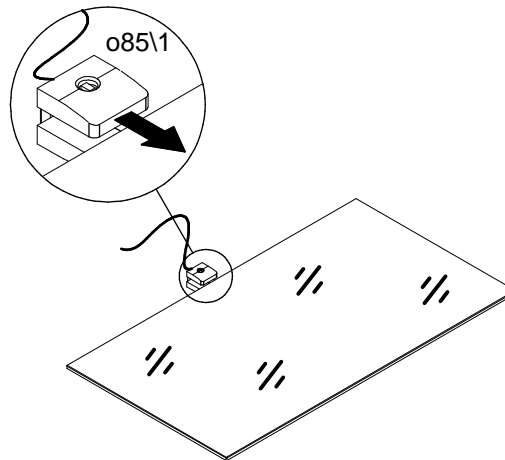
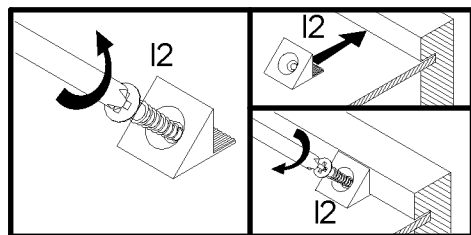
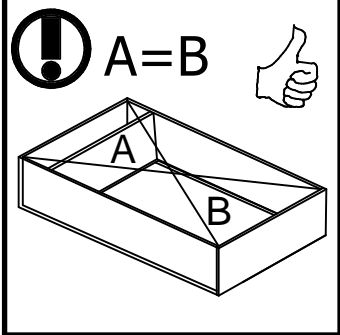
4

e1

e1

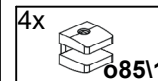
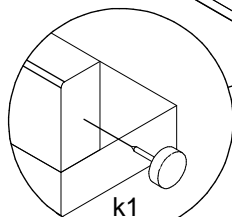
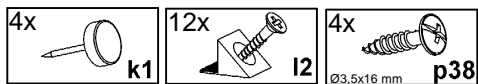
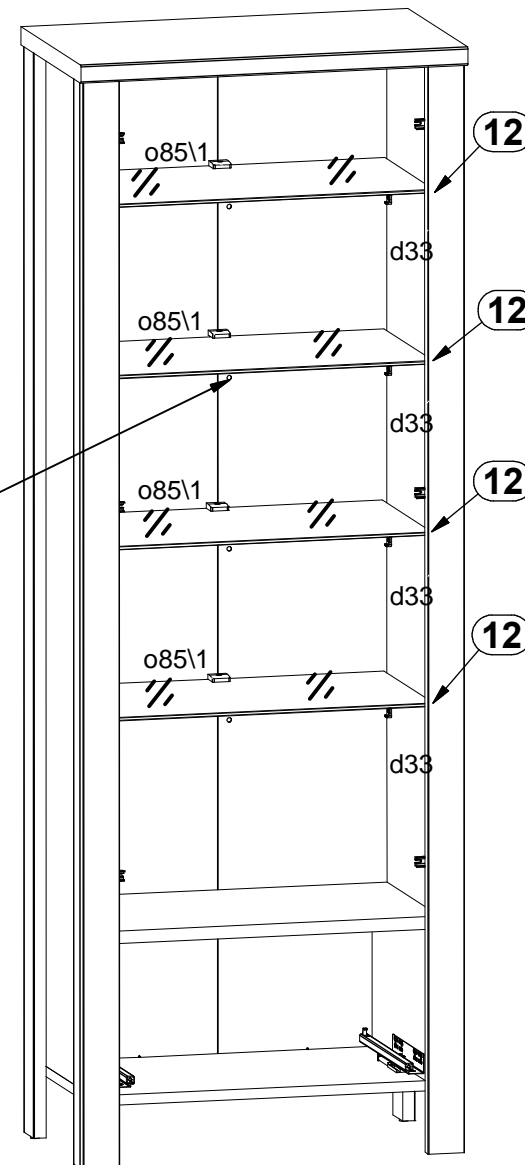
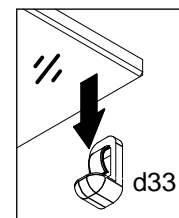
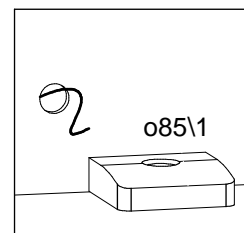
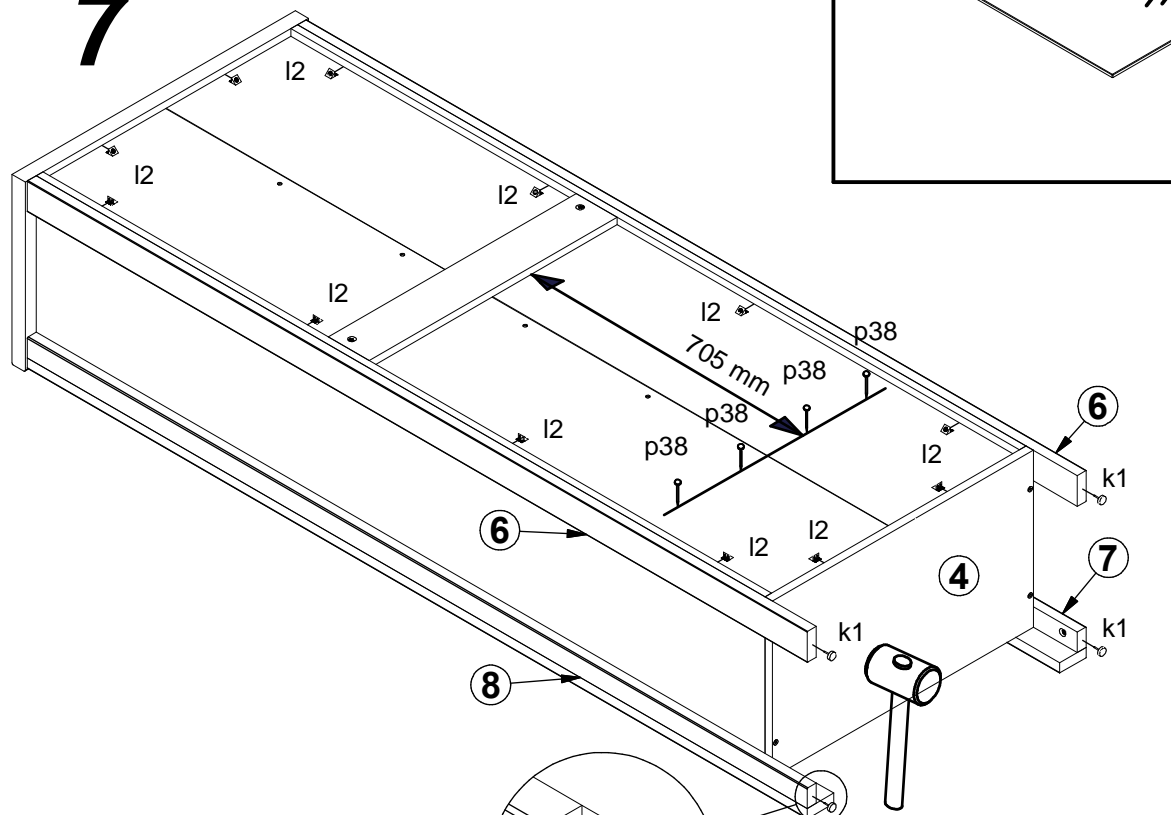
e1



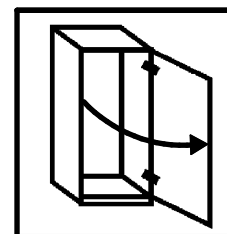
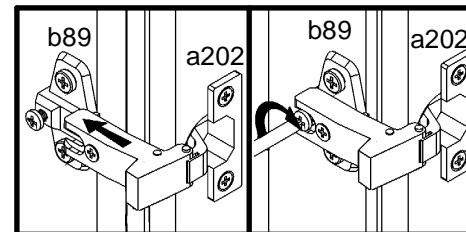
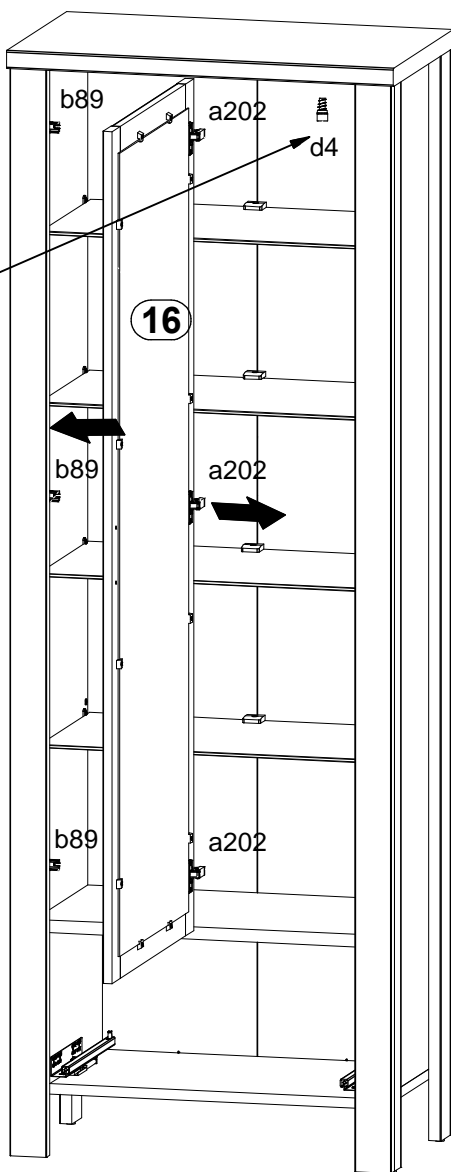
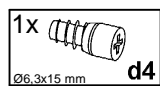
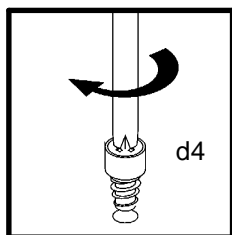
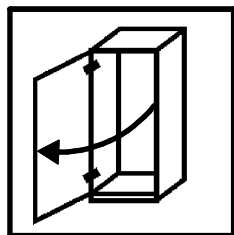


8

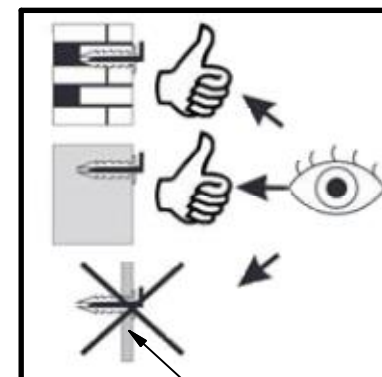
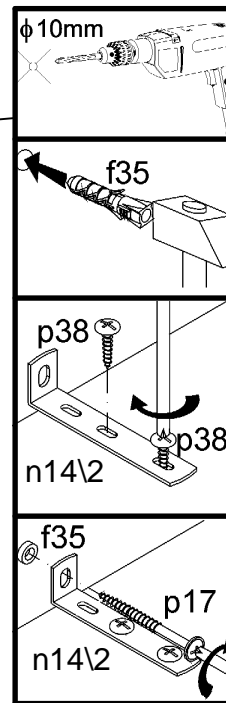
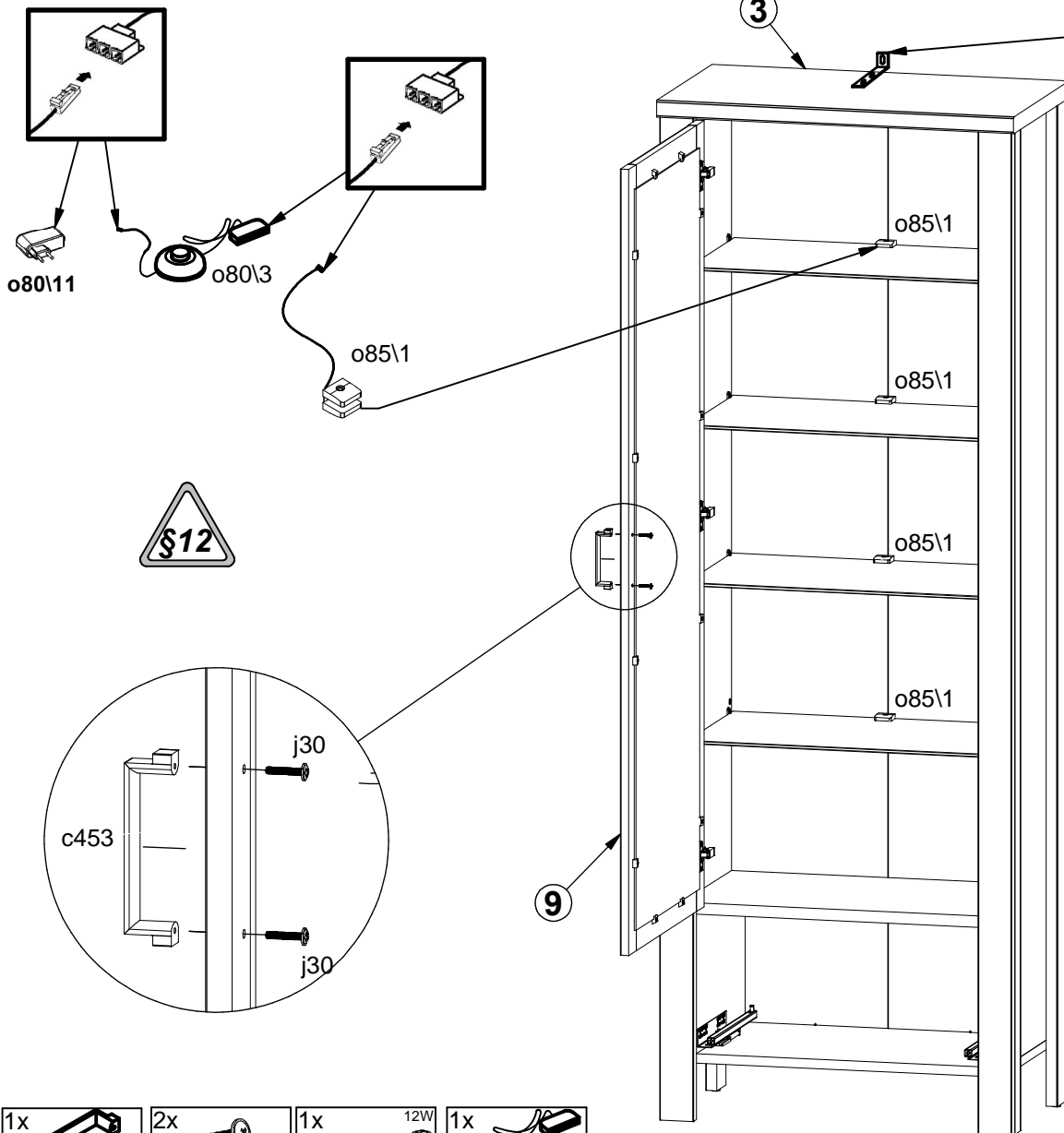
7



9



10



- 1x c453
- 2x j30
- 1x o80\11
- 1x o80\3

- 1x f35
- 1x n14\2
- 1x p17
- 2x p38

11

