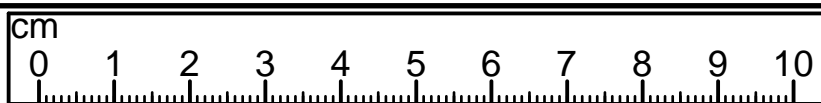
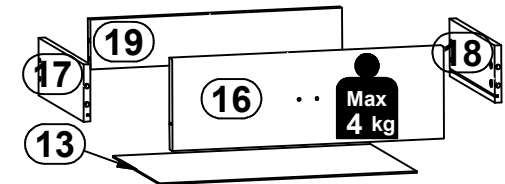


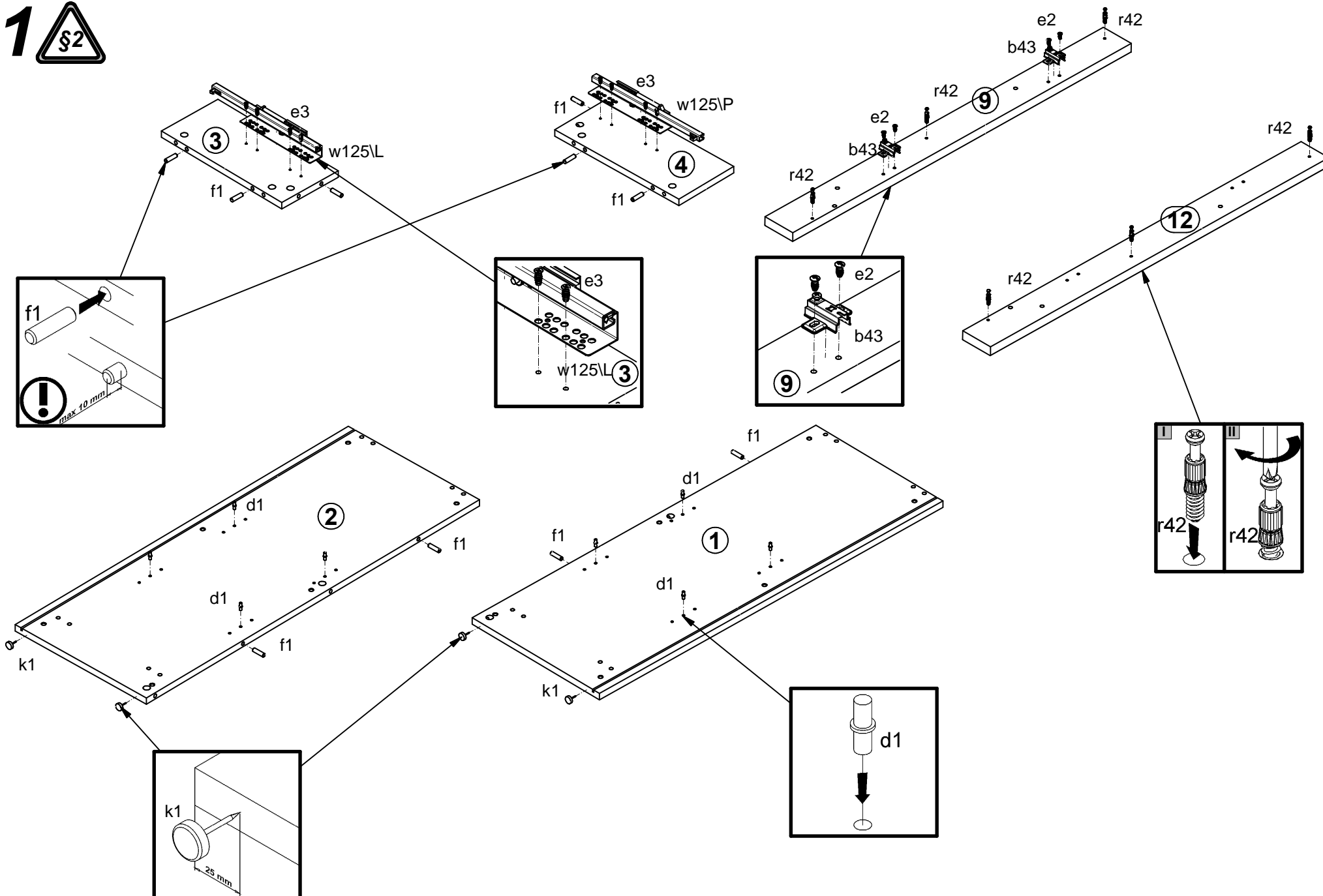
§1

A	B	C (mm)	D
1	M143-107	972	371
2	M143-108	972	371
3	M143-109	160	351
4	M143-110	160	351
5	M143-202	660	400
6	M143-307	572	351
7	M143-309	571	351
8	M143-313	572	351
9	M143-5507	972	80
10	M143-5508	972	80
11	M143-5509	972	58
12	M143-5510	972	80
13	M143-903	459	308
14	M143-904	899	582
15	M164-007	734	484
16	M164-008	484	160
17	WSQ2-503	300	100
18	WSQ2-504	300	100
19	WTQ-5008	449	87

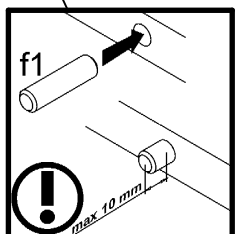
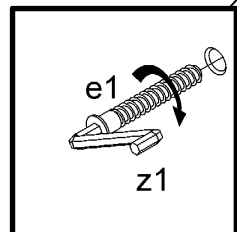
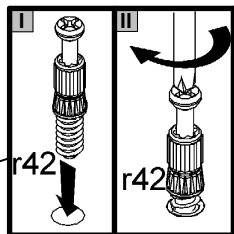
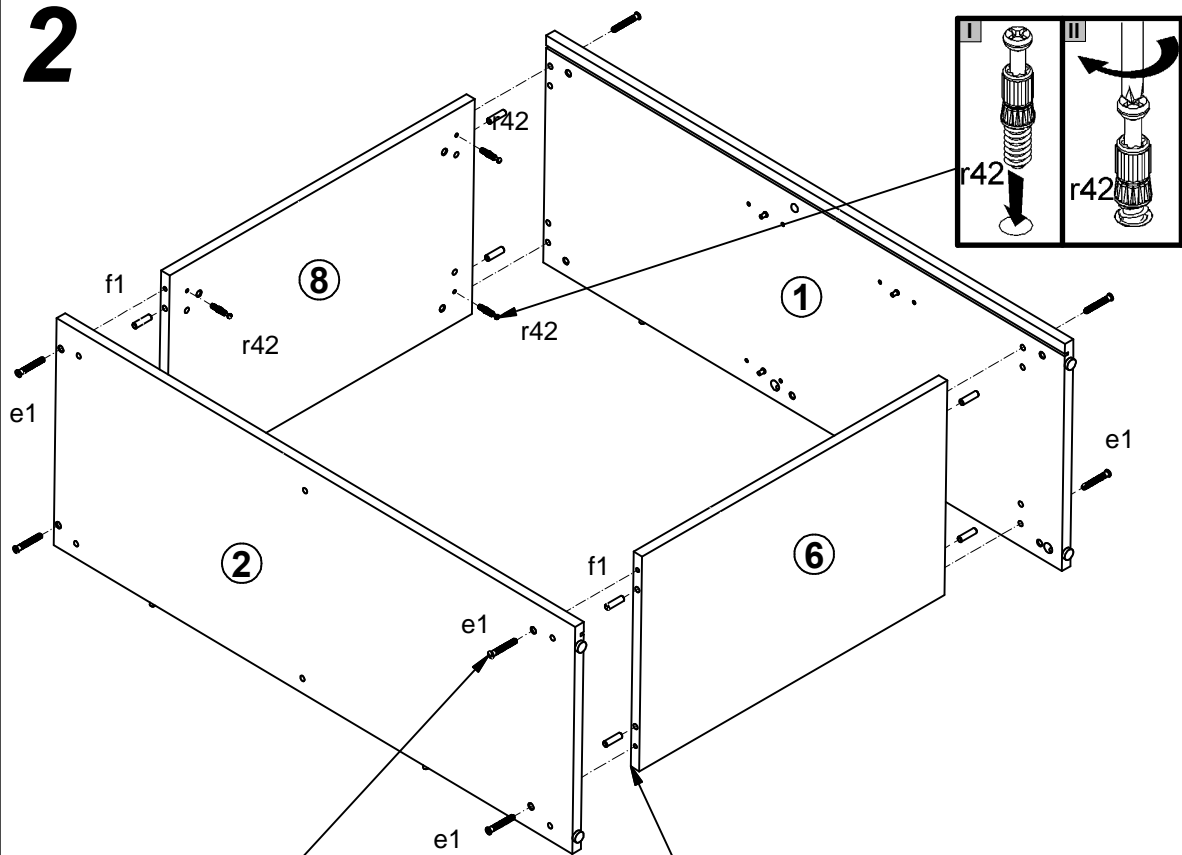


2x a99	2x b43	2x c402	8x Ø5x17 mm d1	8x Ø7x50 mm e1	4x Ø6,3x13 mm e2	16x Ø7x28 mm e22	8x Ø6x13 mm e3	18x Ø8x30 mm f1	4x Ø6,5x40 mm f25	4x k1	12x l1	10x l2
2x silikon o21	1x Ø3,5x16 mm p25	1x Ø3,5x10 mm p35	8x Ø3,5x16 mm p38	4x Ø3,5x15 mm p51	4x M4x22 mm j30	10x Ø15x12 mm #16 r1	4x Ø12x10,5 mm #12 r15	14x r42	1x 300mm w125/P	1x z1	1x 300 mm t25	1x 300mm w125/L
1x 81x21x15/1,5 n14	1x Ø5x60 mm p17	1x Ø10x50 mm f35										

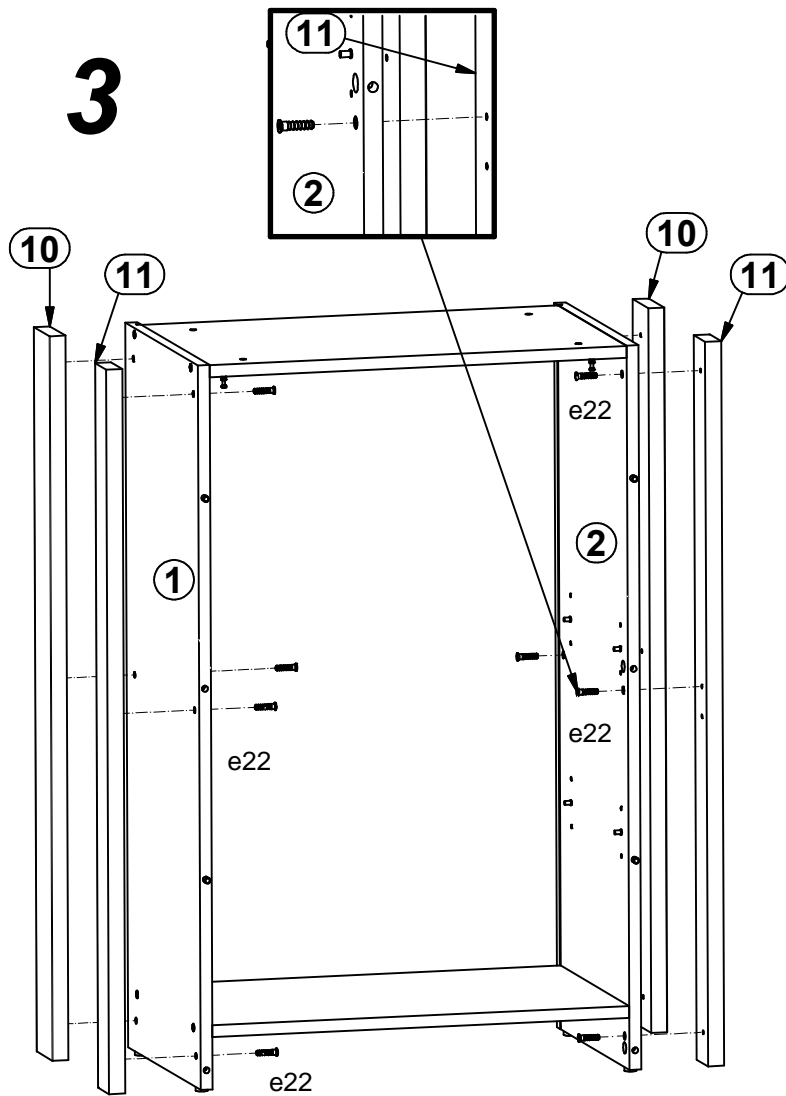
1



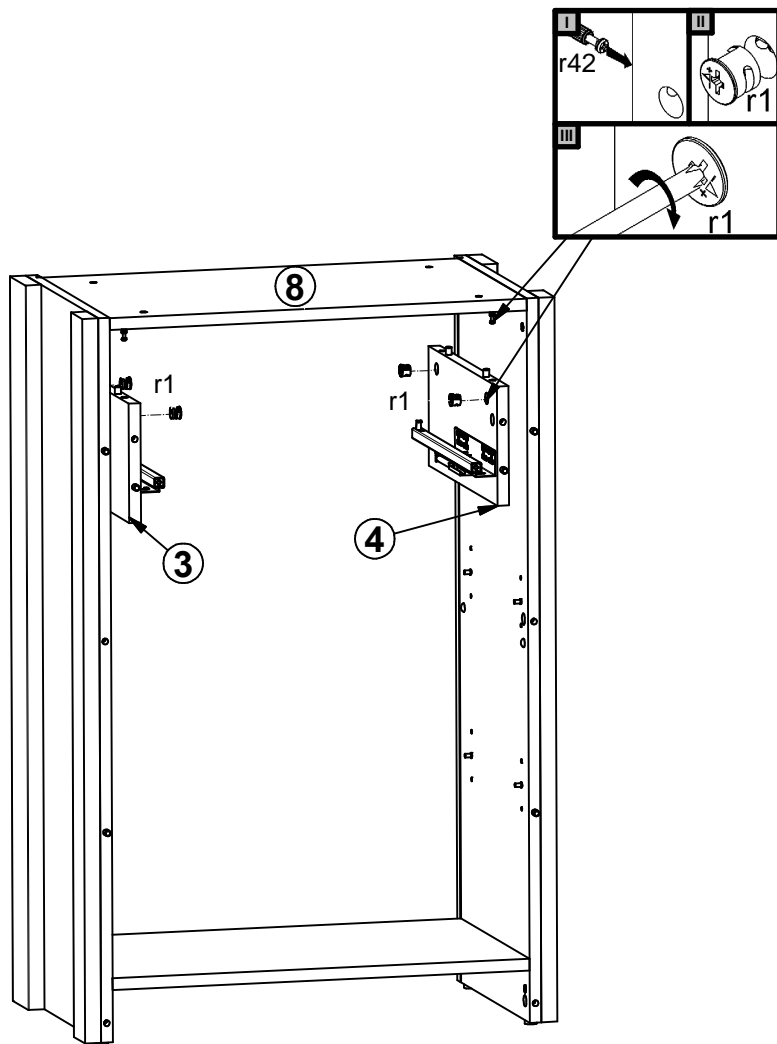
2



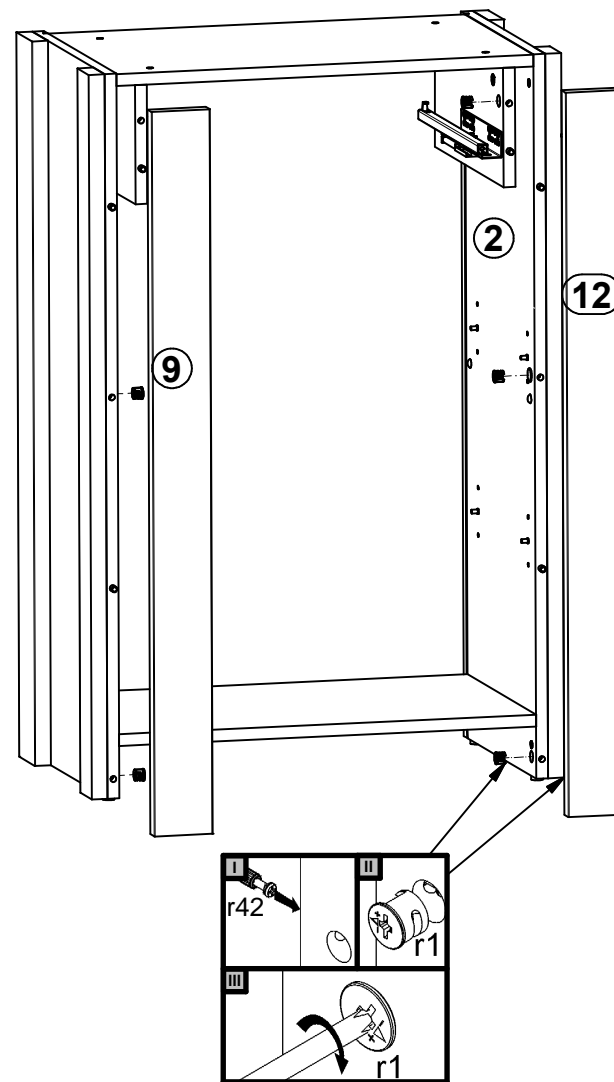
3



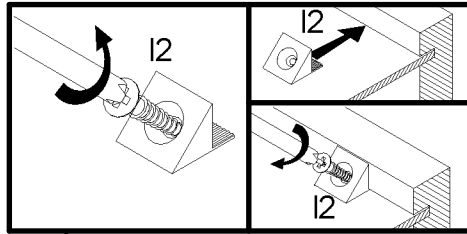
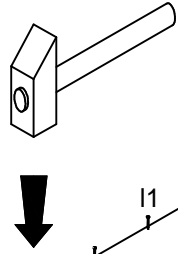
4



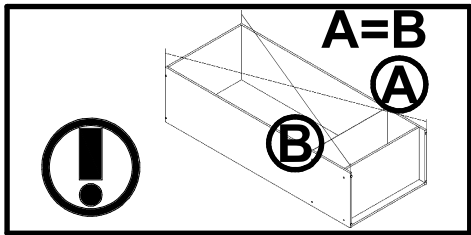
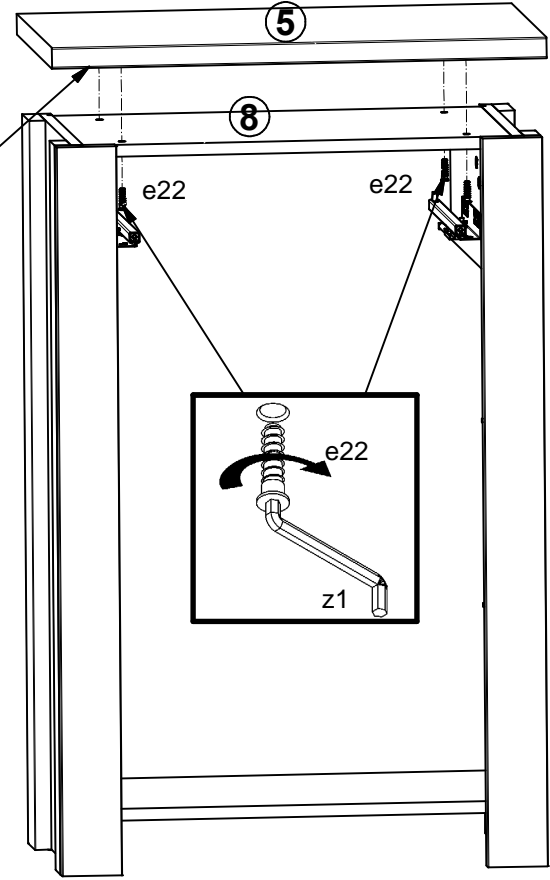
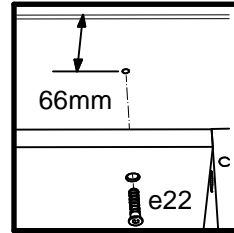
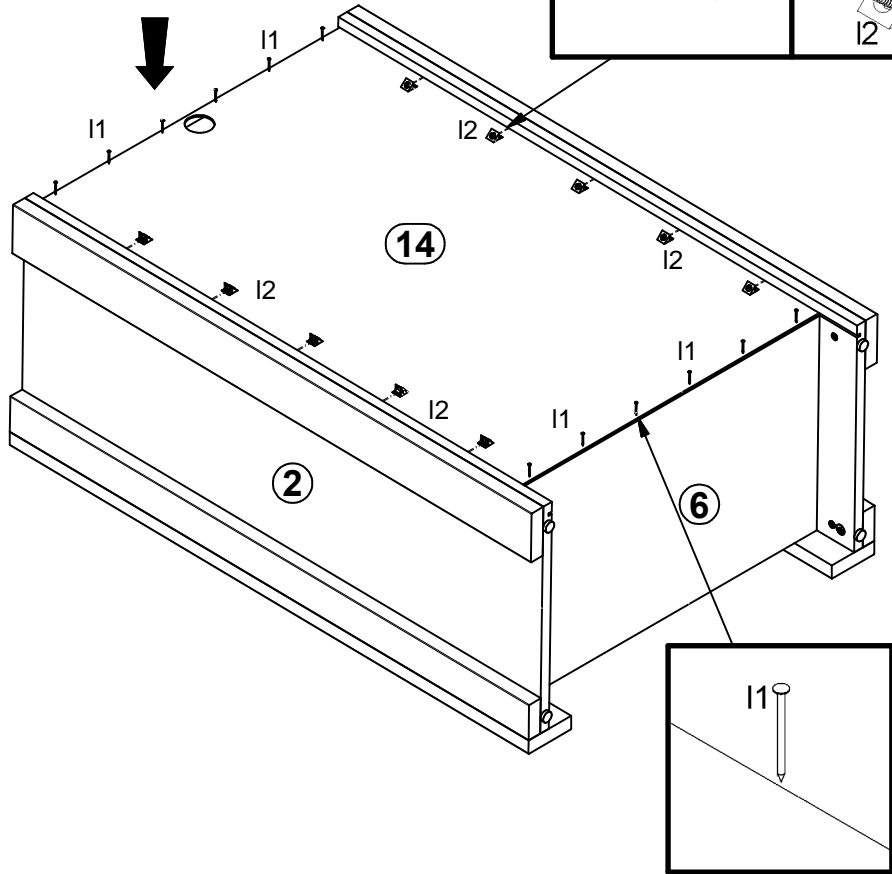
5



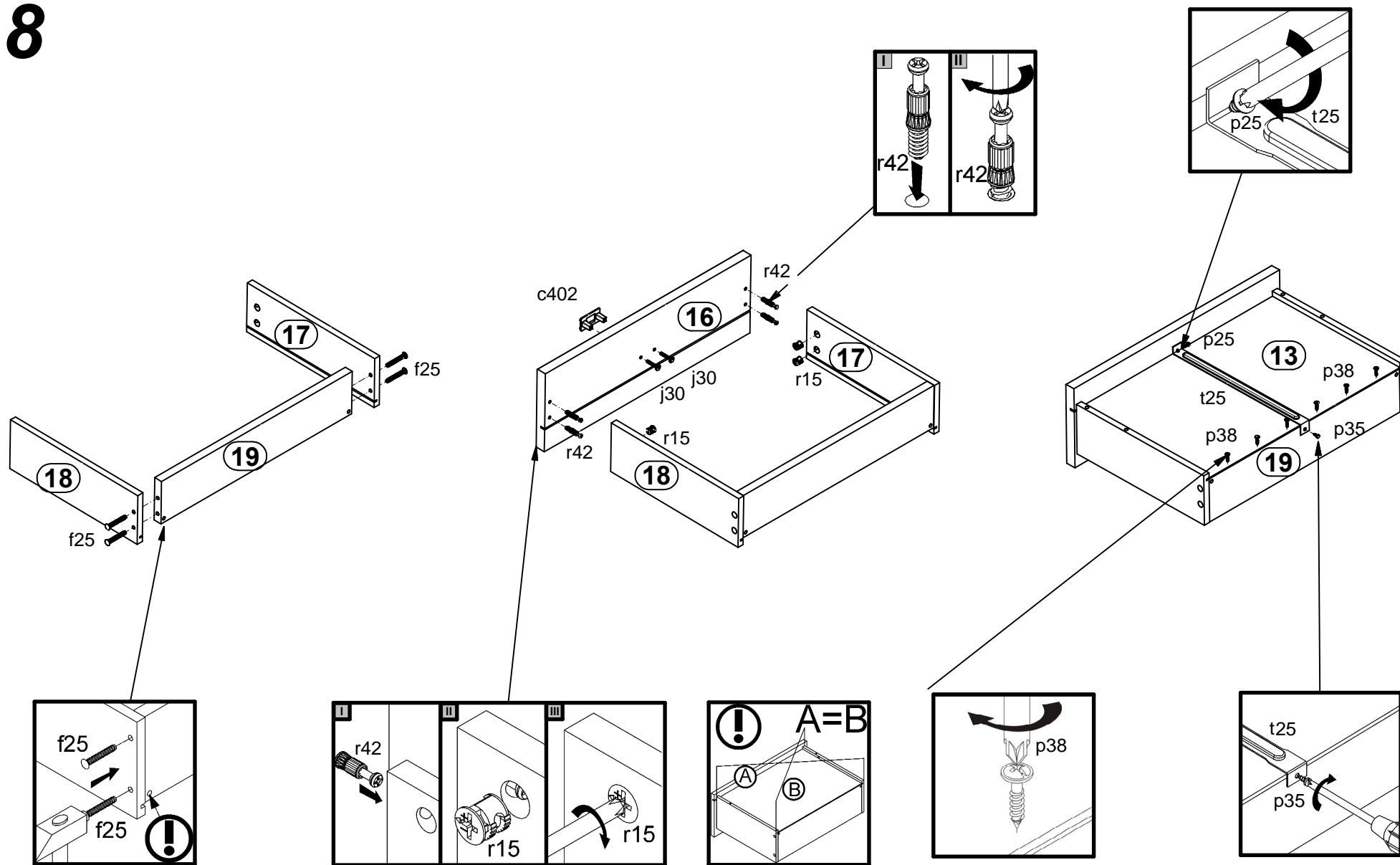
6



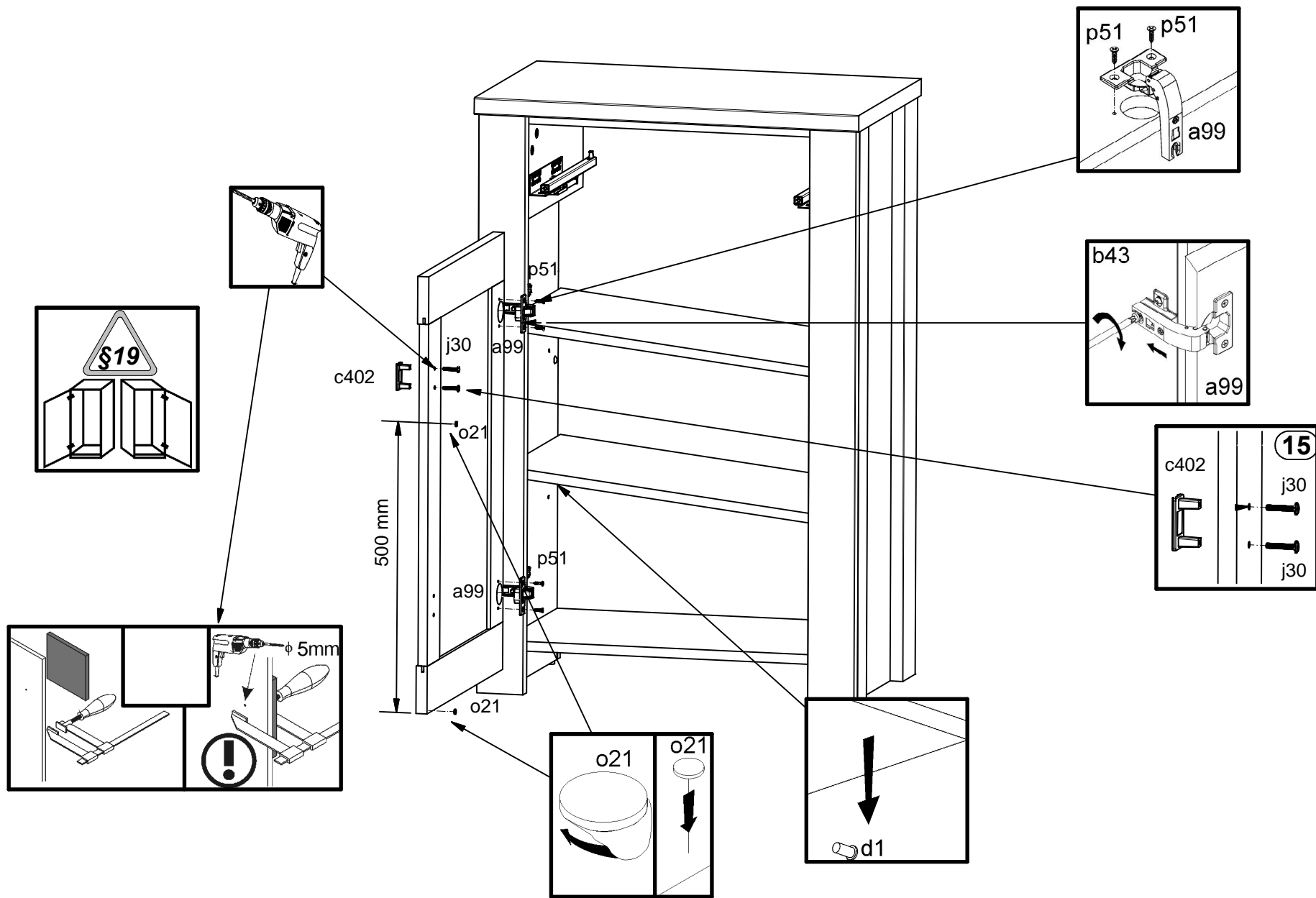
7



8



9



10

