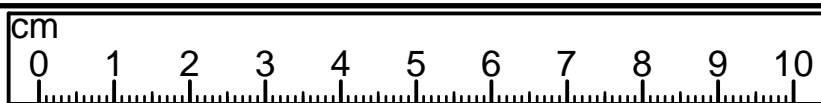


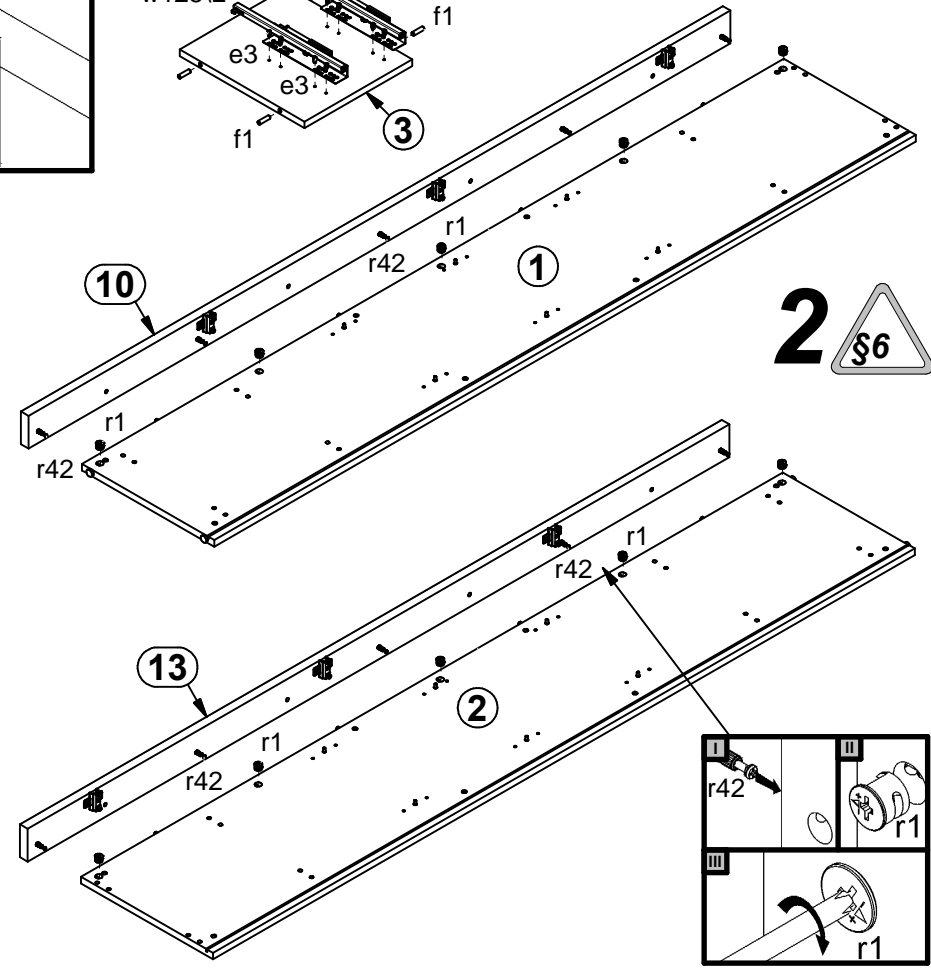
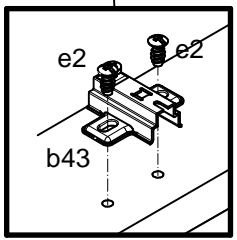
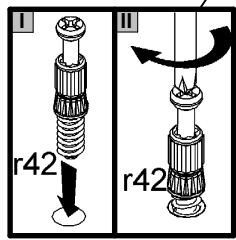
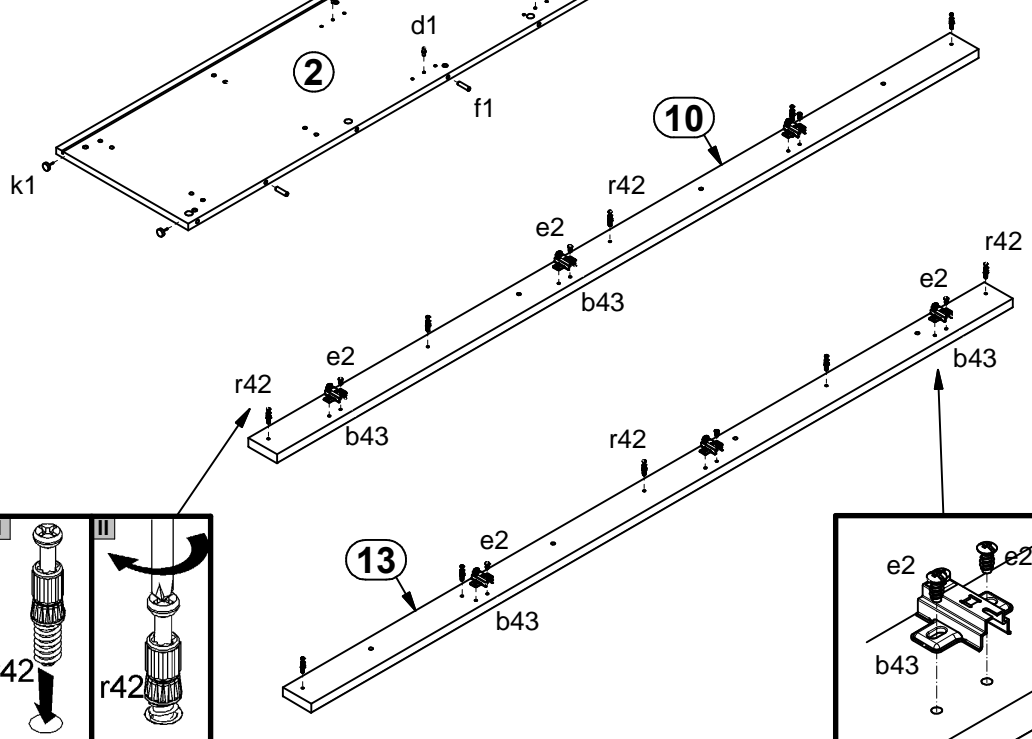
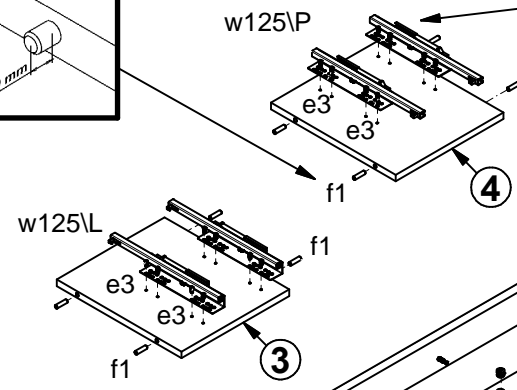
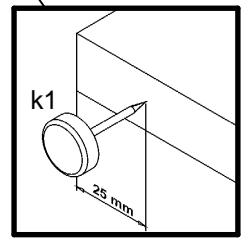
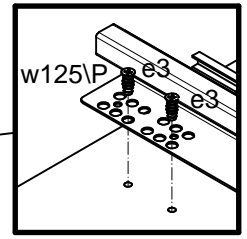
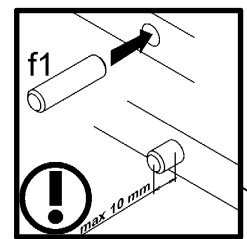
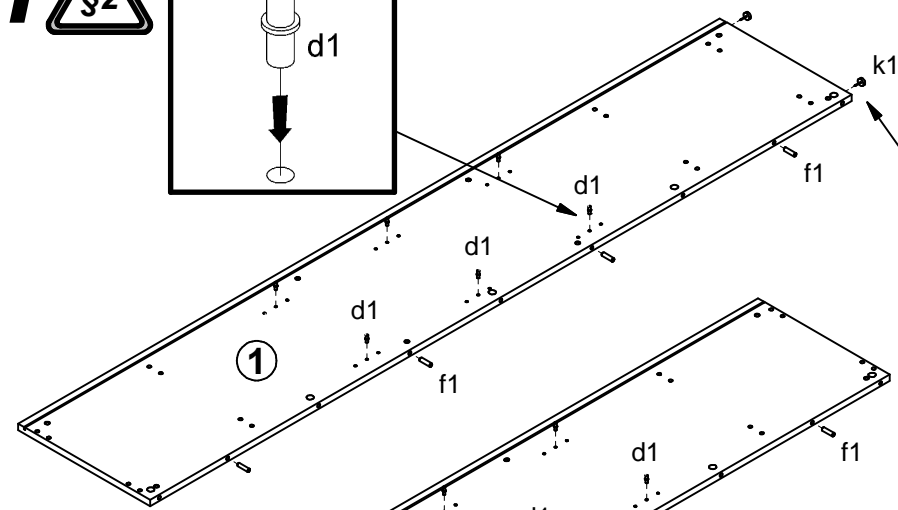
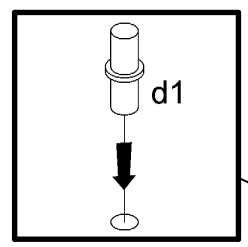
**§1**

A	B	C (mm)	D	
1	M143-101	1972	371	2/3
2	M143-102	1972	371	2/3
3	M143-103	303	351	3/3
4	M143-104	303	351	3/3
5	M143-201	880	400	1/3
6	M143-301	792	351	1/3
7	M143-302	792	351	1/3
8	M143-304	792	351	1/3
9	M143-305	791	340	1/3
10	M143-5501	1972	80	2/3
11	M143-5502	1972	80	2/3
12	M143-5503	1972	58	2/3
13	M143-5504	1972	80	2/3
14	M143-901	679	308	3/3
15	M143-9901	1899	803	2/3
16	M164-001	1570	350	3/3
17	M164-002	1570	350	3/3
18	M164-003	704	160	3/3
19	WSQ2-503	300	100	1/3
20	WSQ2-504	300	100	1/3
21	WTQ-5006	669	87	1/3

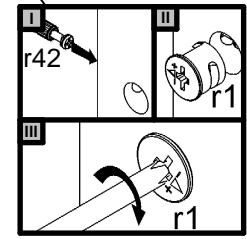


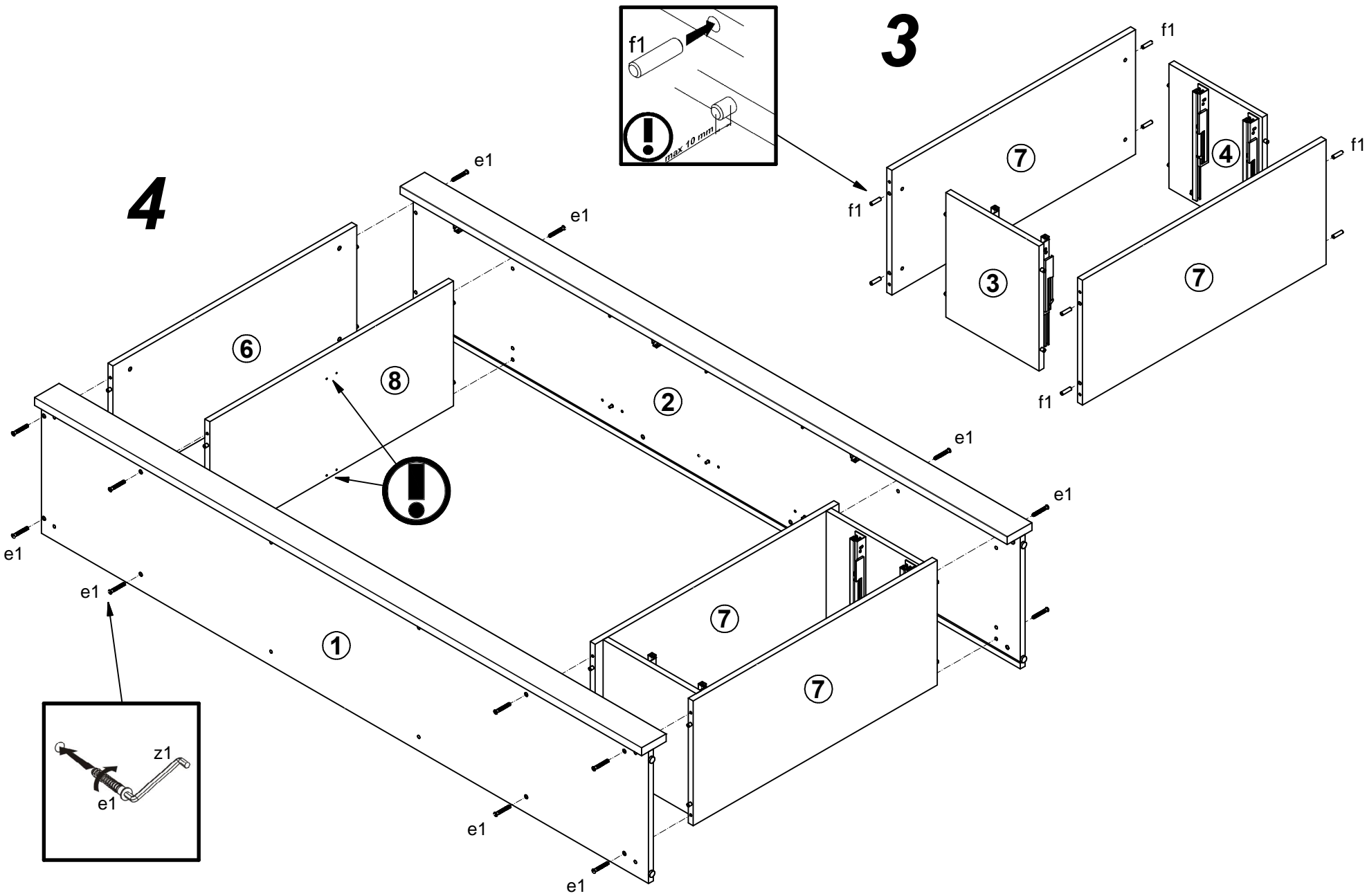
6x 	6x 	6x 	12x 	16x 	12x 	20x 	16x 	32x 	8x 	4x 	25x 	20x 
1x 	2x 	2x 	14x 	12x 	12x 	10x 	8x 	18x 	16x 	8x 	2x 	2x 
2x 	4x 	1x 	1x 	1x 	1x 							

1 

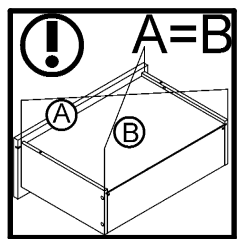
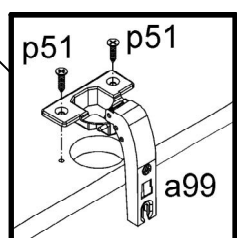
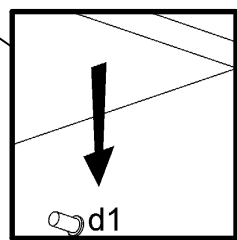
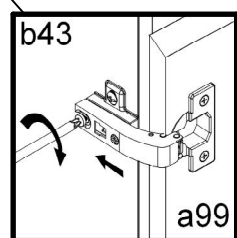
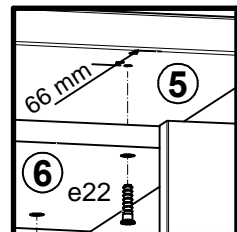
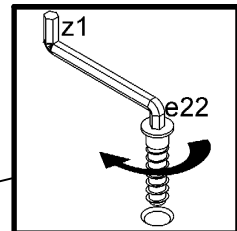
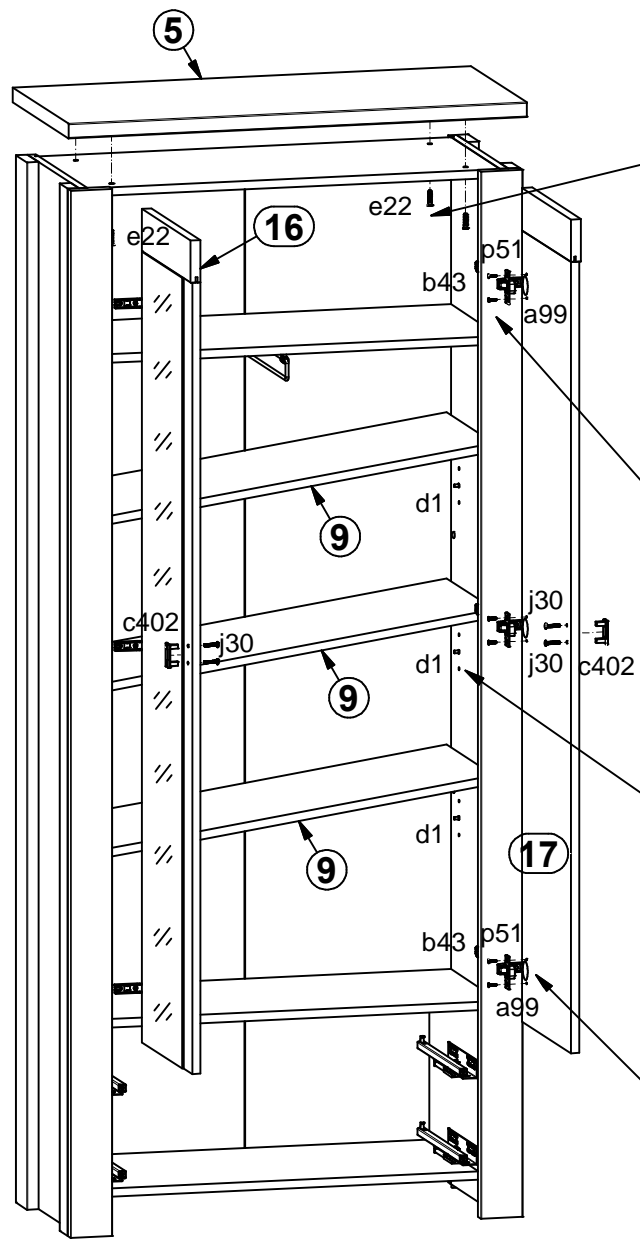
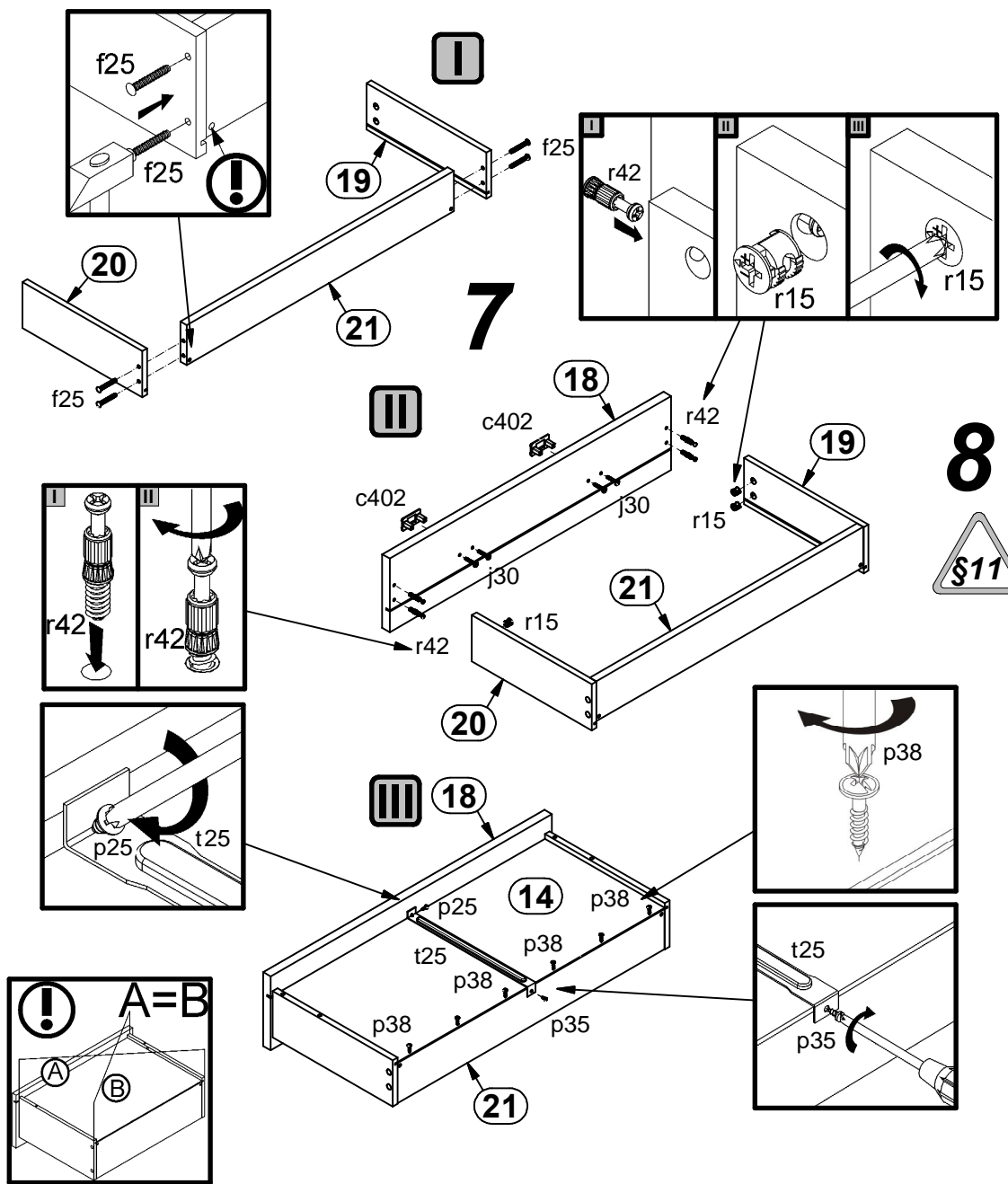


2 









# 9

§11

