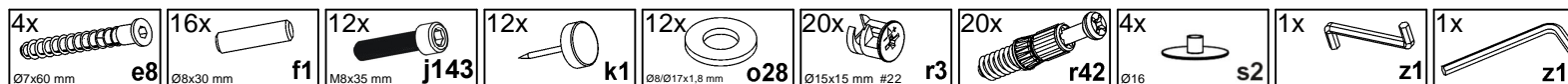
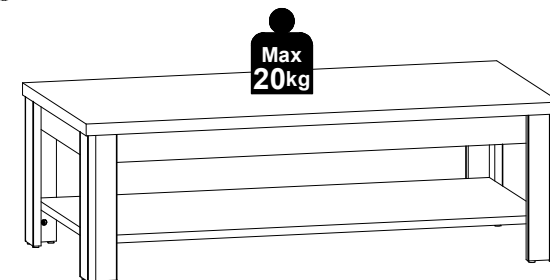


A	B	C (mm)		D
1	S214-209	1300	650	1/1
2	S214-406	1245	80	1/1
3	S214-407	549	80	1/1
4	S248-3020	1244	592	1/1
5	S248-5301	393	80	1/1
6	S248-5302	393	80	1/1
7	S248-5303	393	58	1/1
8	S248-5304	393	58	1/1

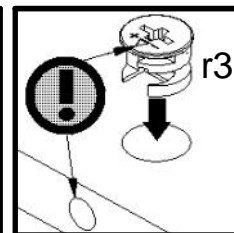
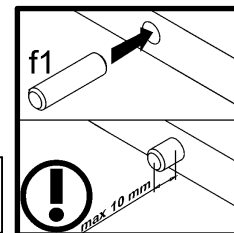
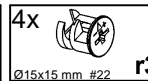
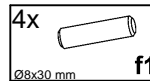
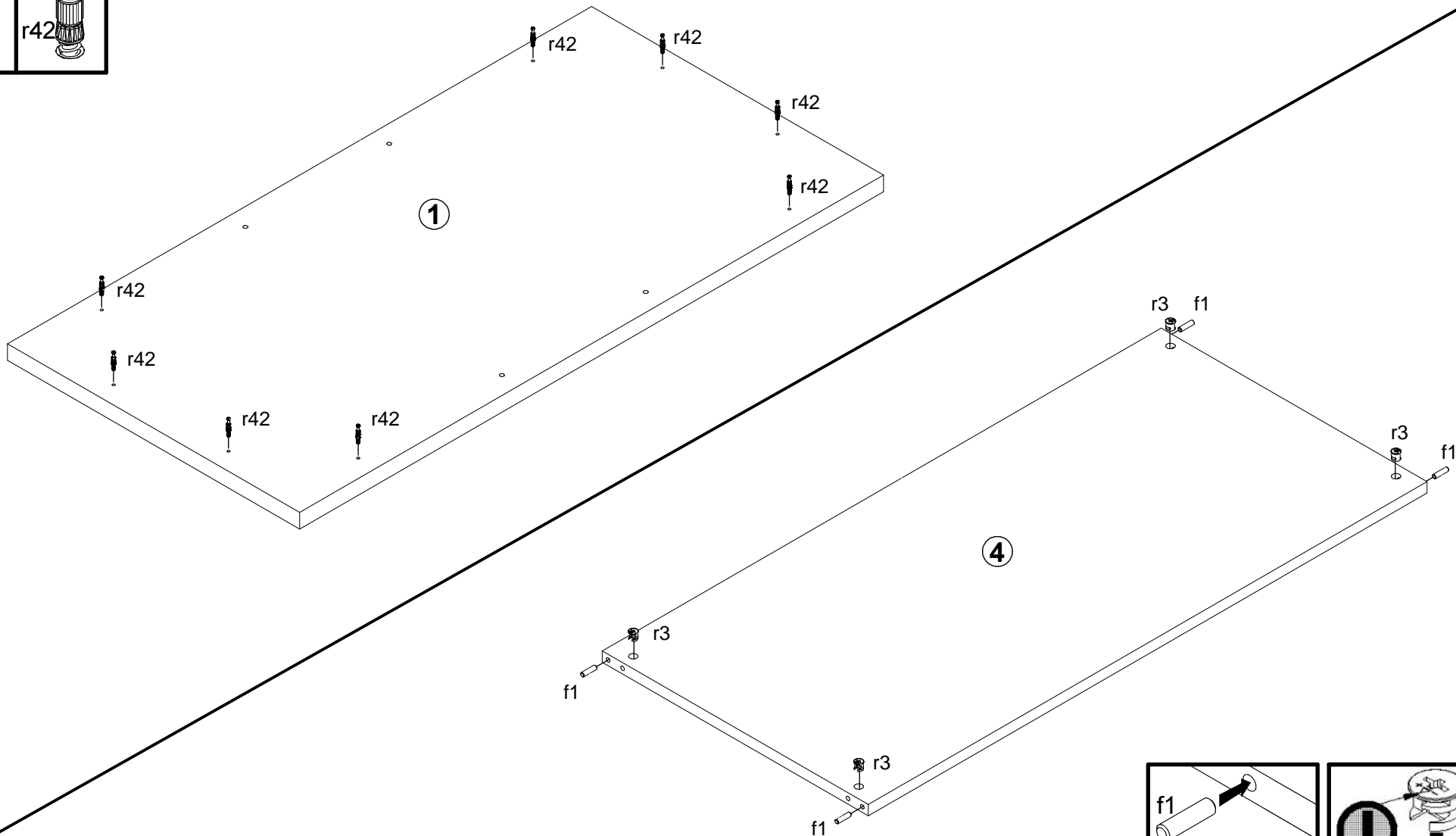
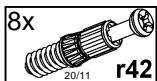
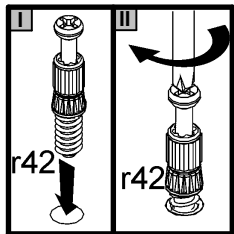


A

S248-LAW/4/13

29D0--02

3 / 8

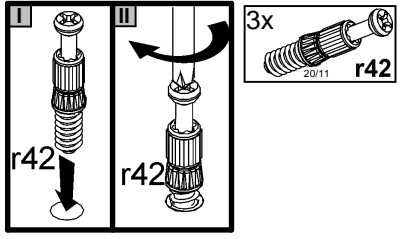


A

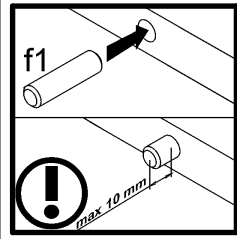
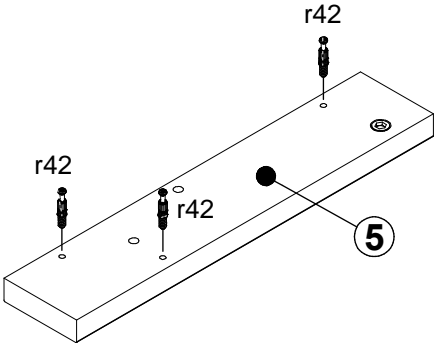
S248-LAW/4/13

29D0--02

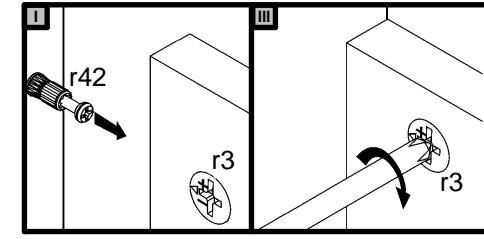
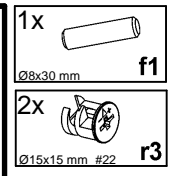
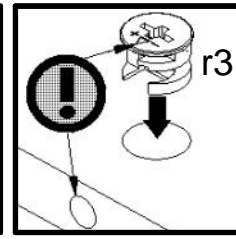
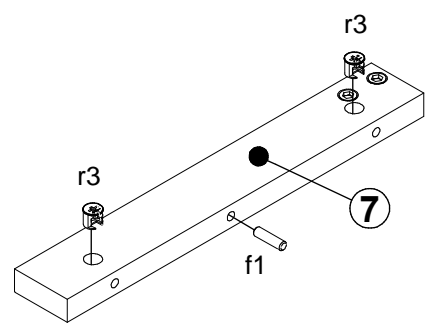
4 / 8



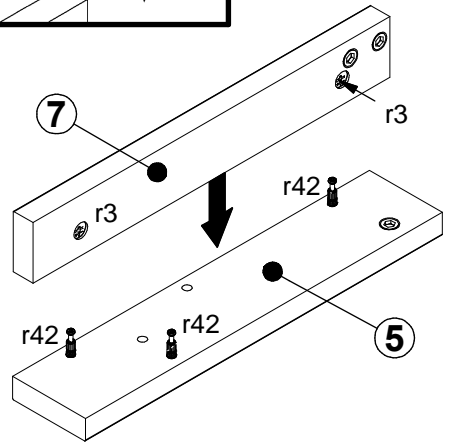
I



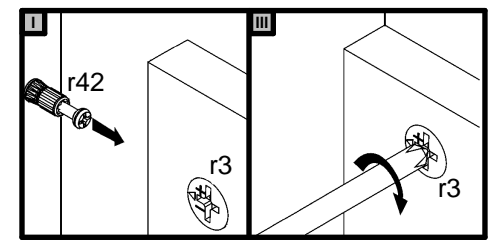
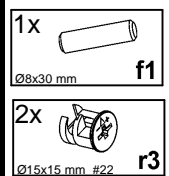
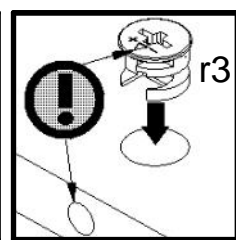
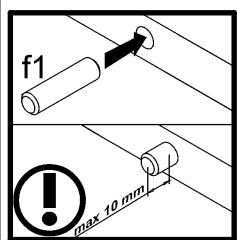
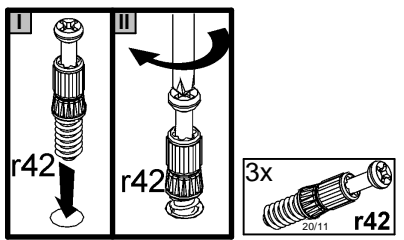
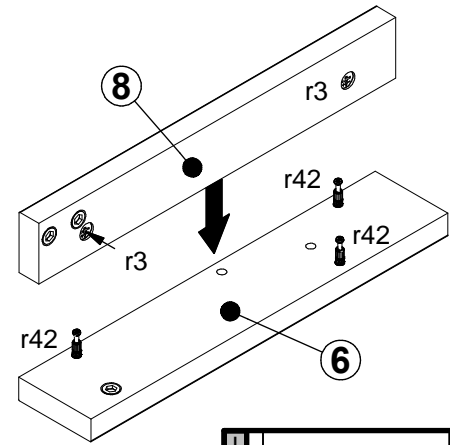
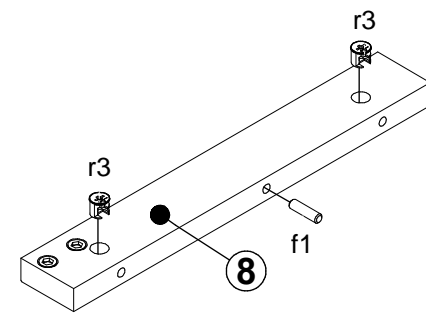
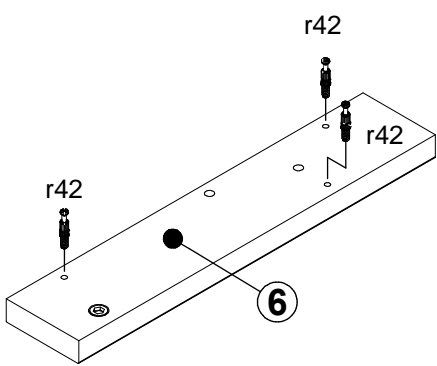
II

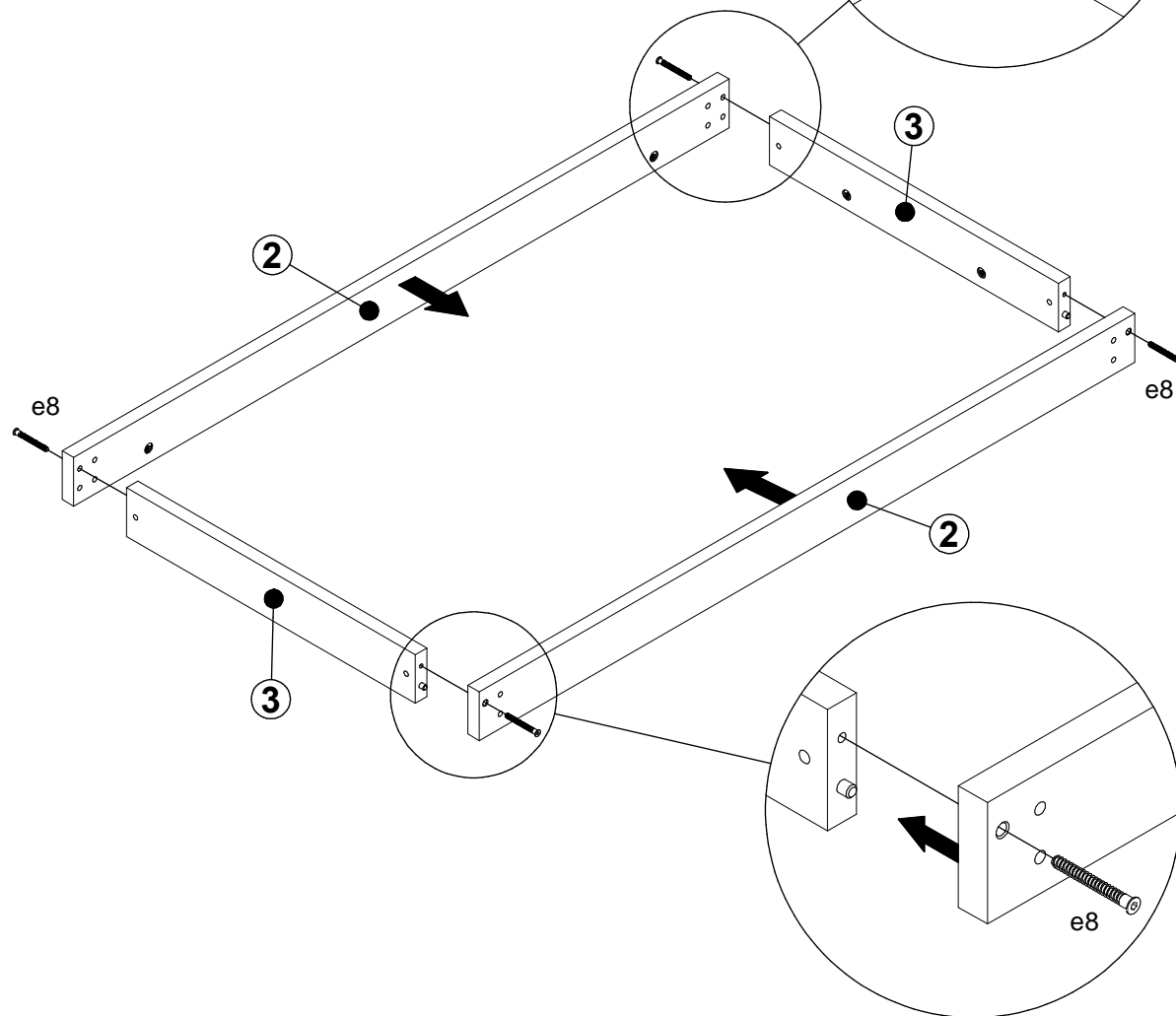
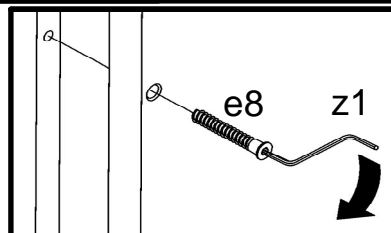
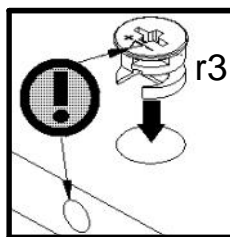
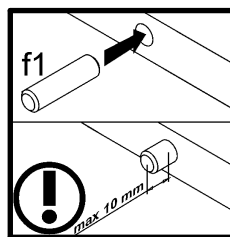
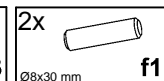
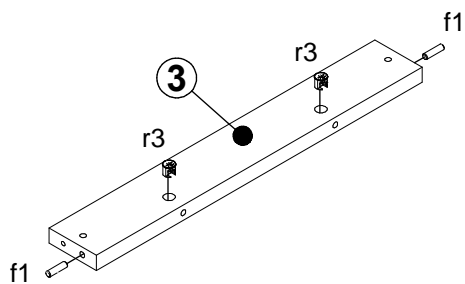
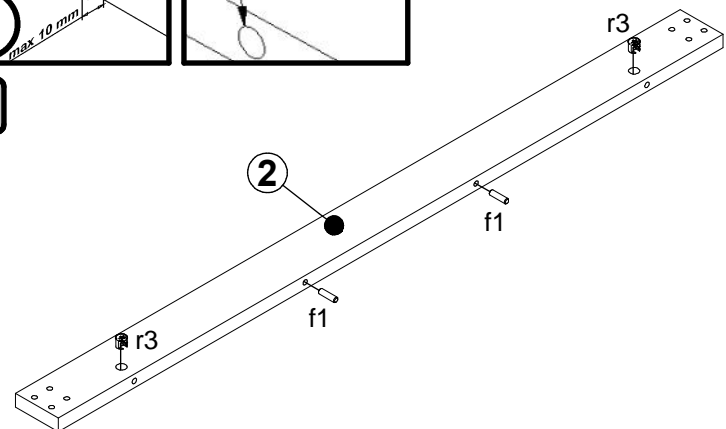
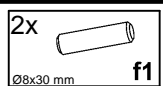
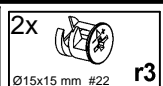
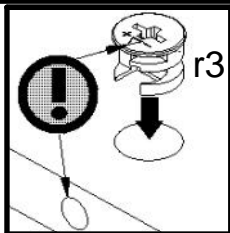
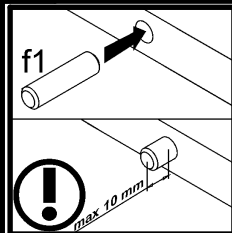


III

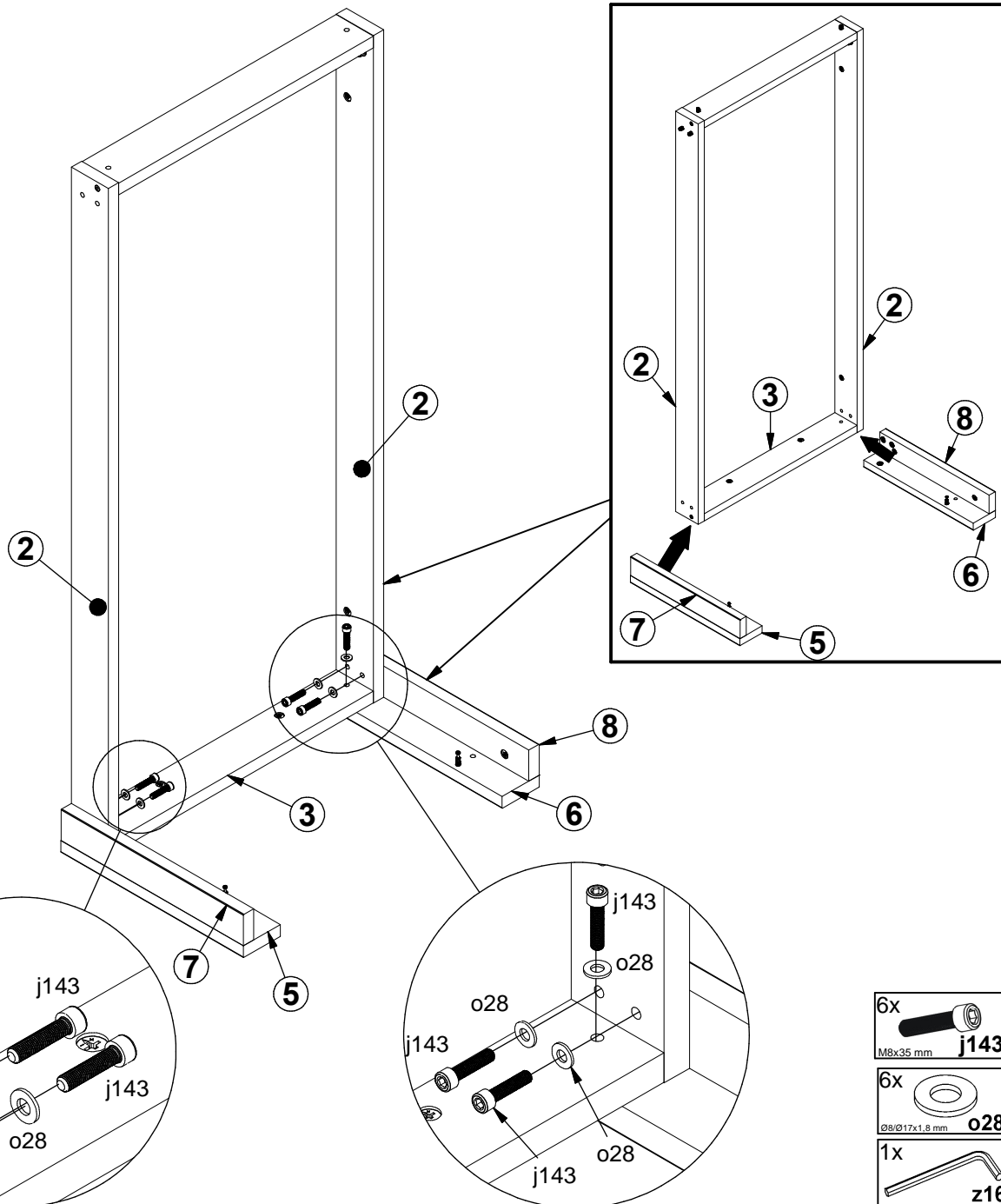


2

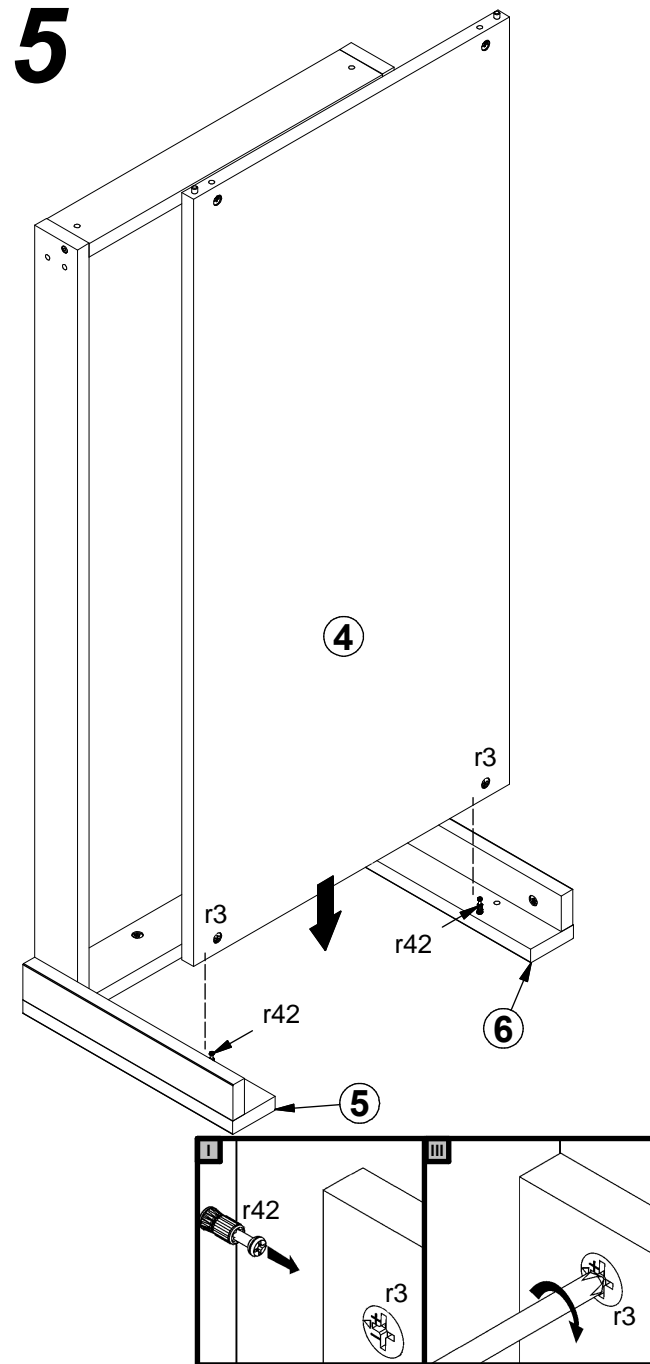


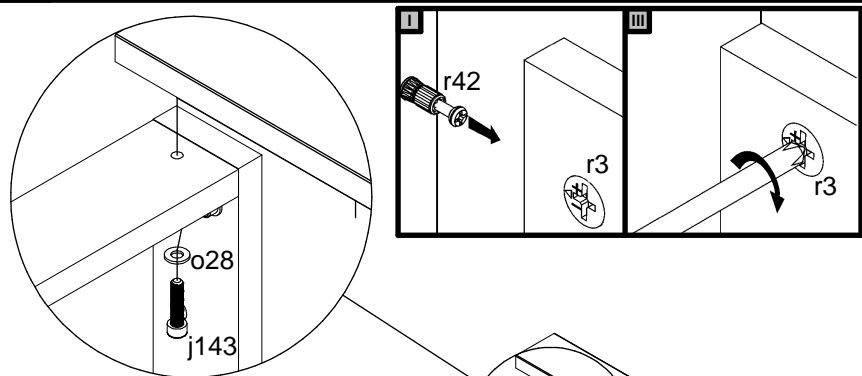


4

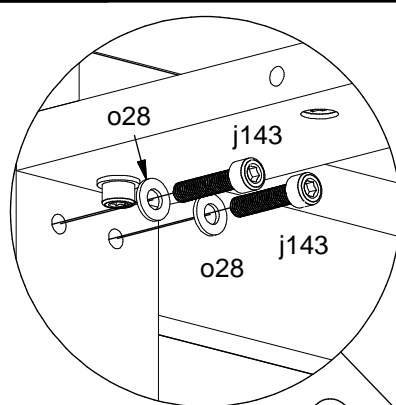
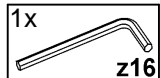
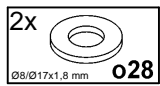
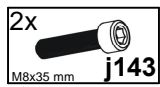
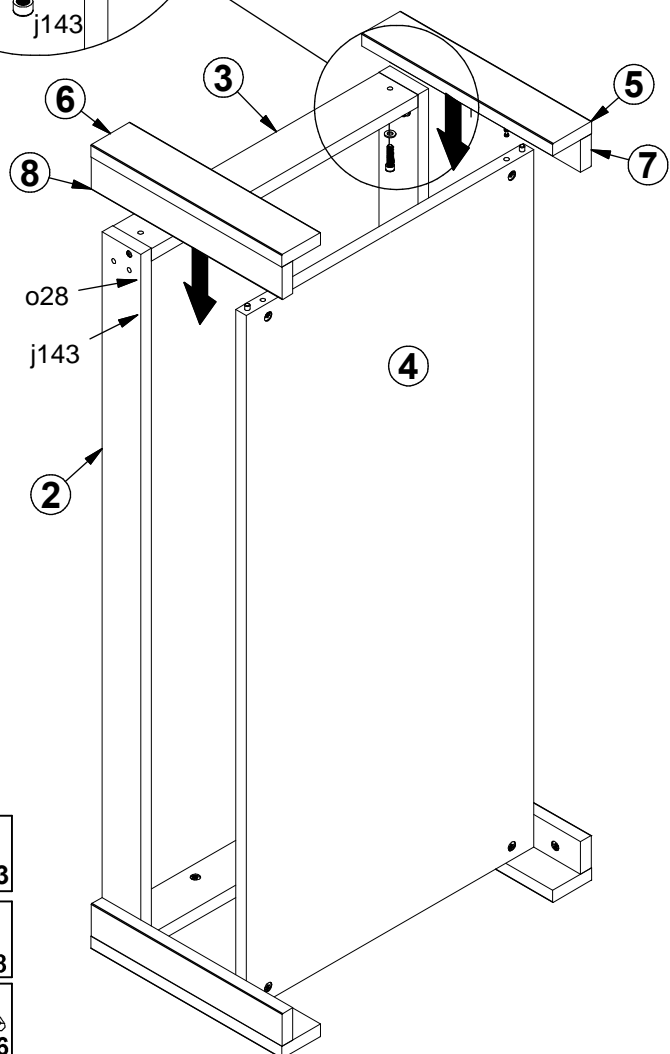


5

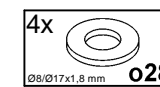
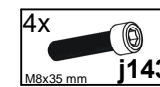
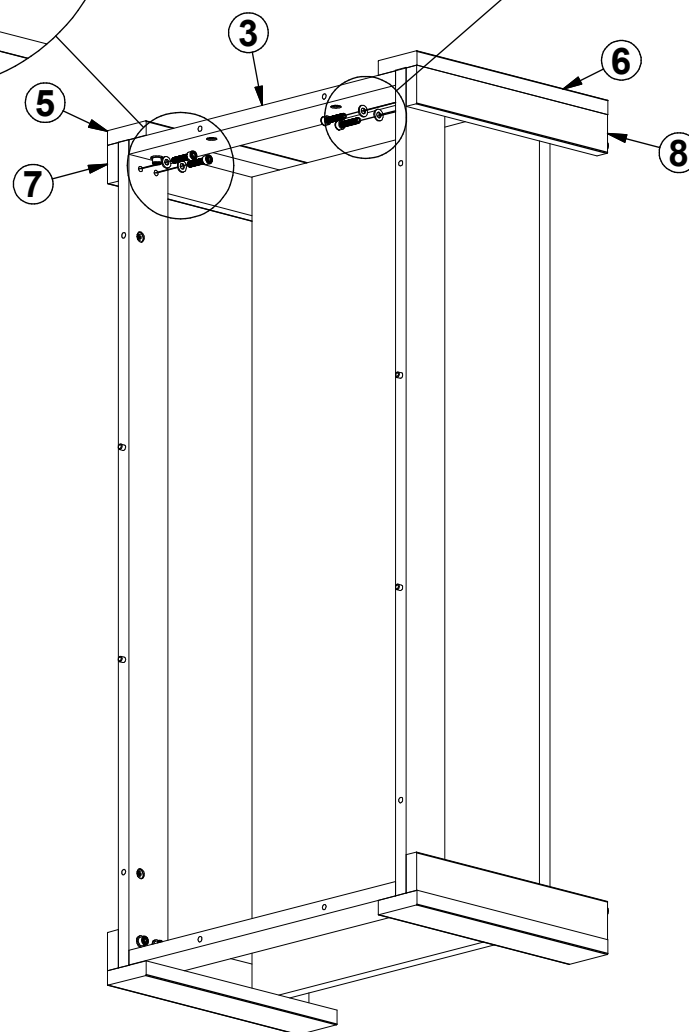


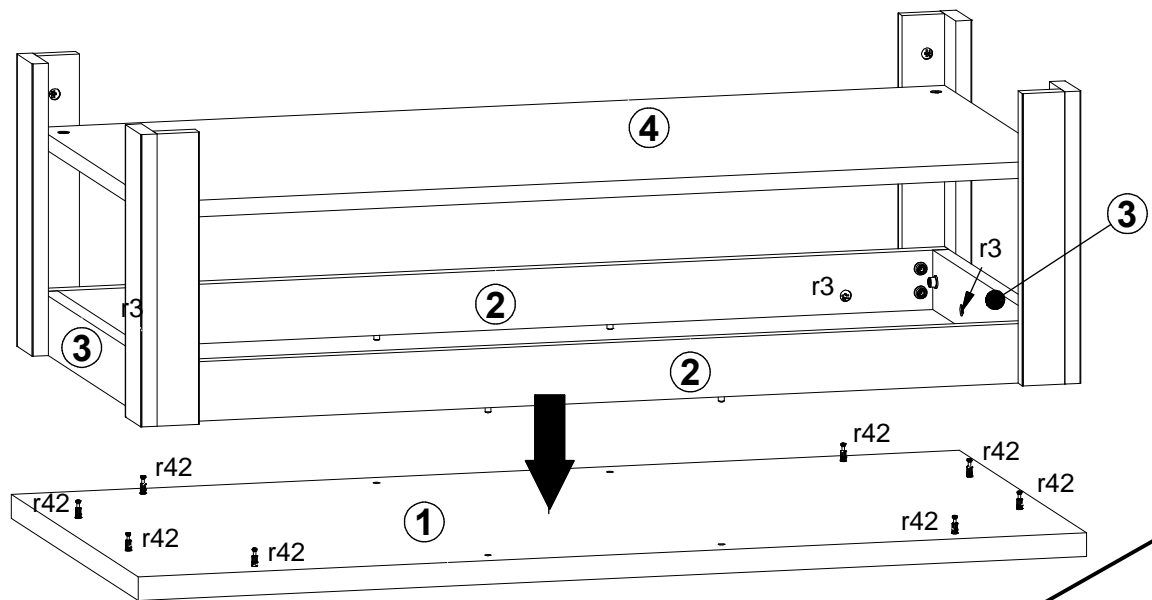


6

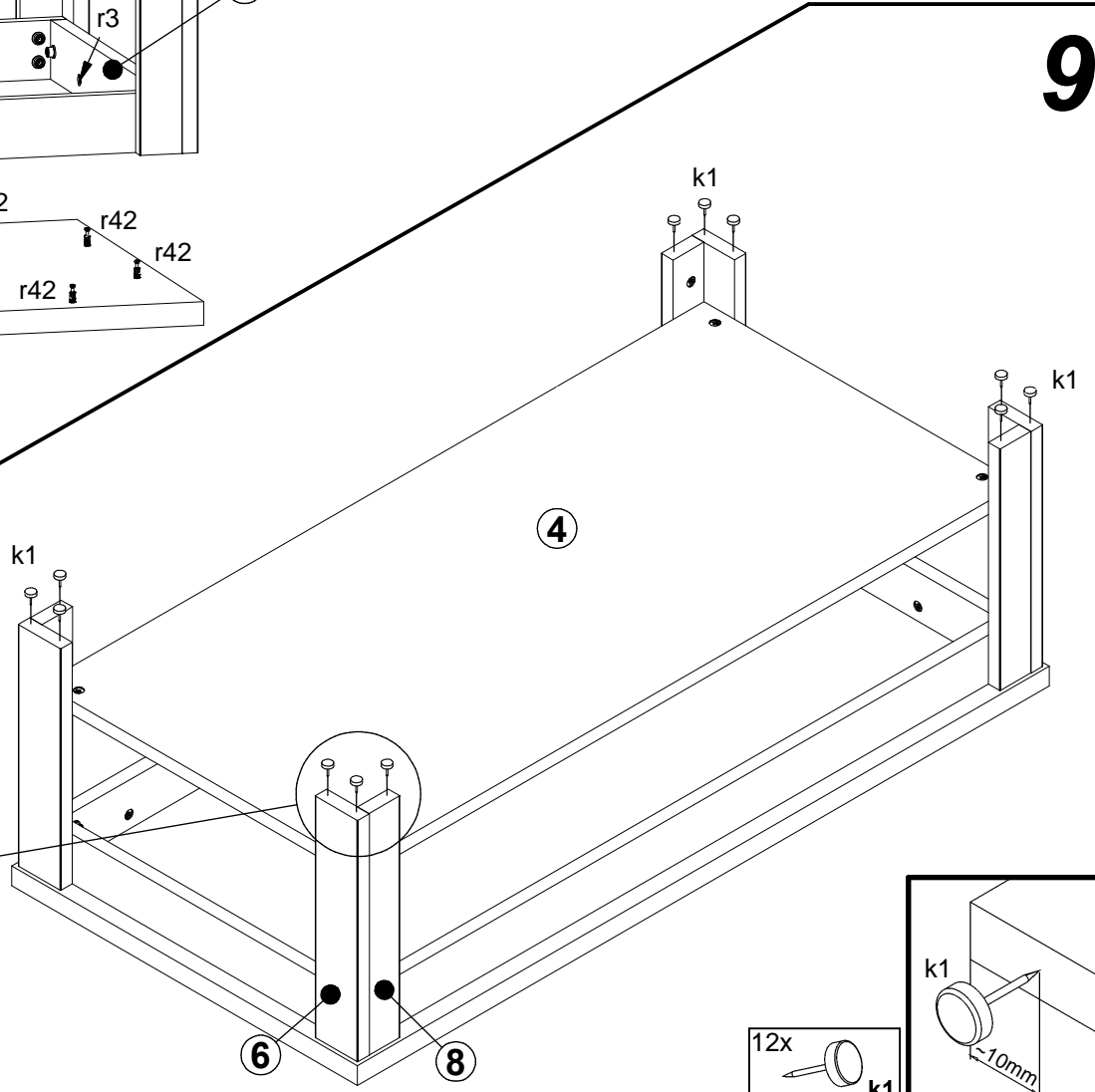
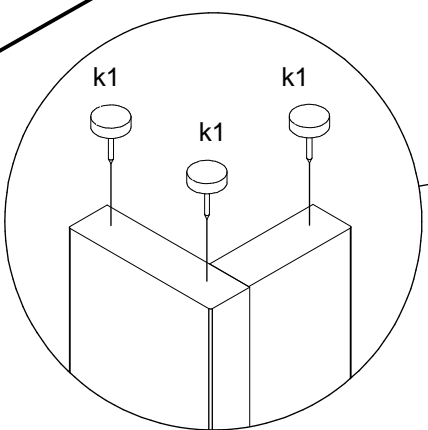
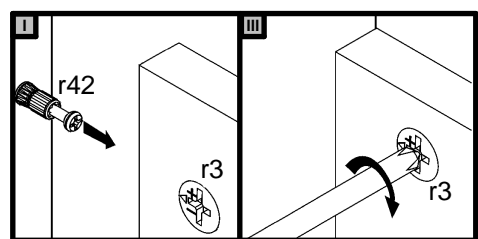


7





8



9

6 8

