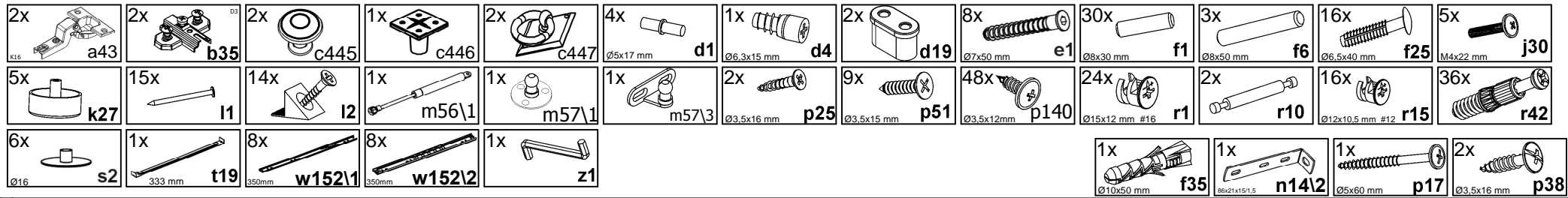
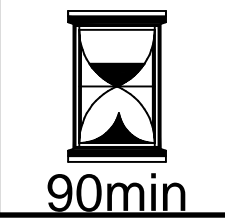
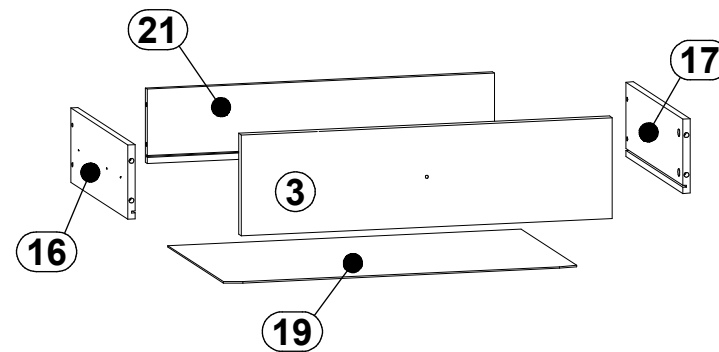
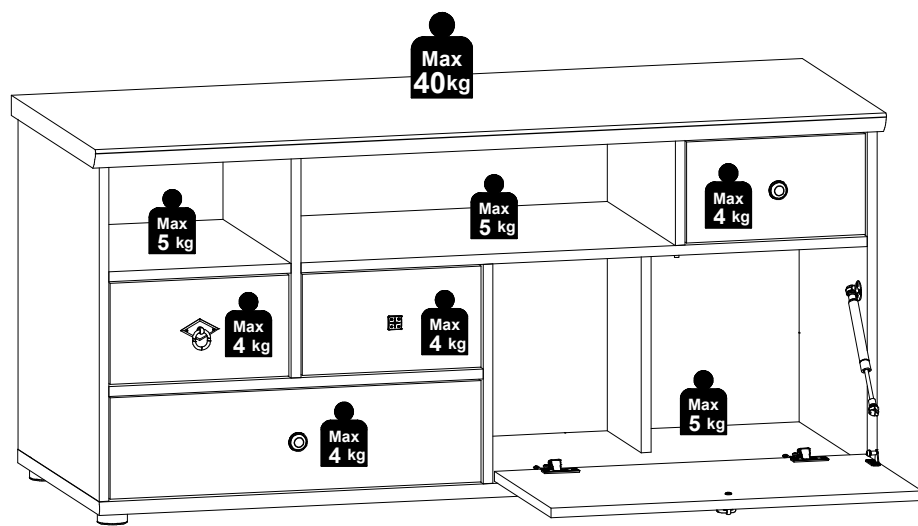
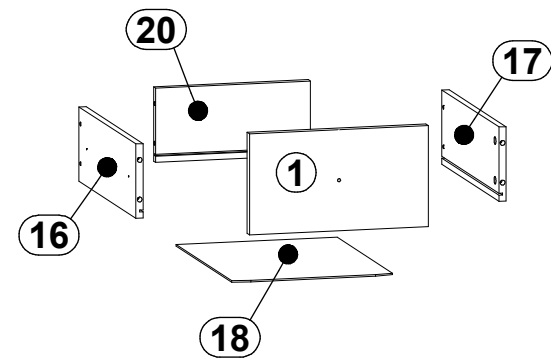
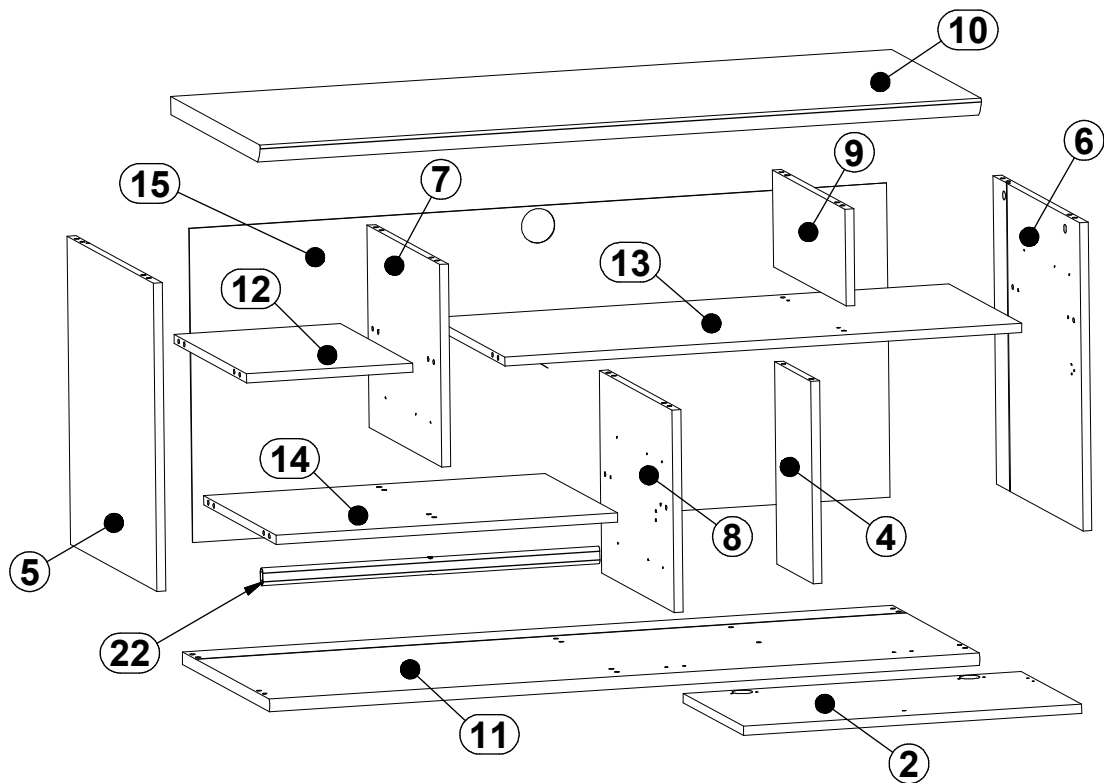
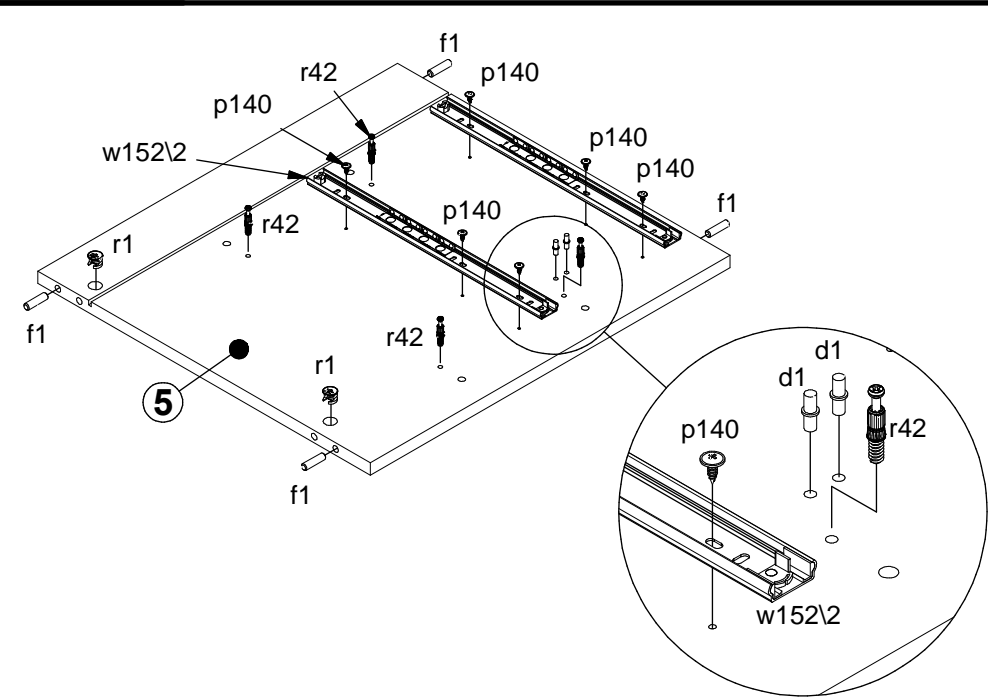
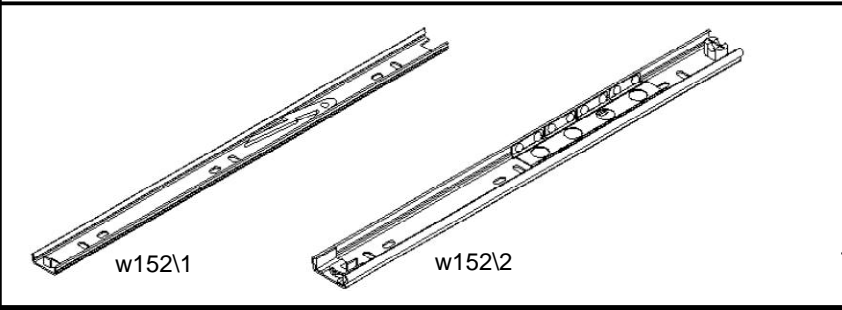
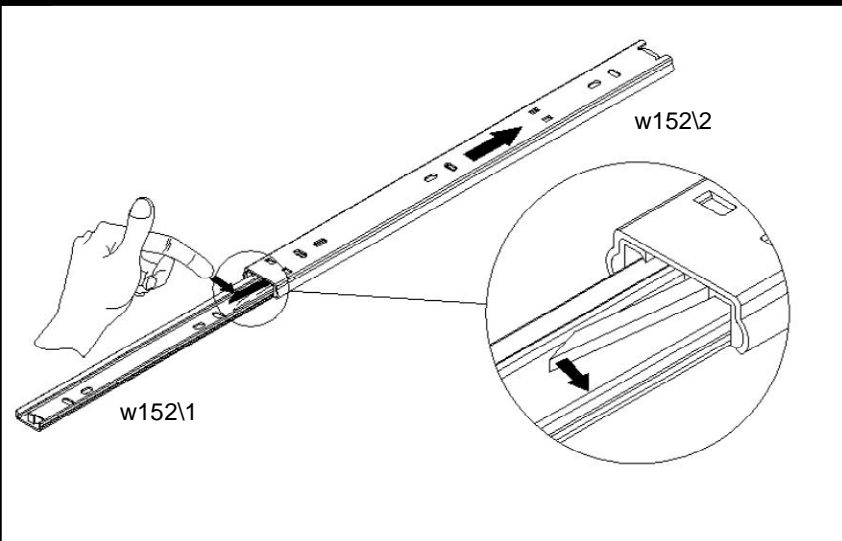


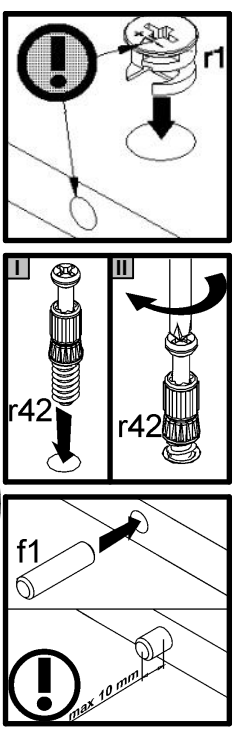
A	B	C (mm)		D
1	S248-0009	163	294	1/2
2	S248-0010	348	610	1/2
3	S248-0016	163	610	1/2
4	S248-1031	354	209	2/2
5	S248-1033	539	498	1/2
6	S248-1034	539	498	1/2
7	S248-1035	354	418	1/2
8	S248-1036	354	418	1/2
9	S248-1039	169	418	2/2
10	S248-2010	1301	516	2/2
11	S248-2011	1281	503	2/2
12	S248-3016	300	418	2/2
13	S248-3021	932	418	2/2
14	S248-3022	616	418	1/2
15	S248-9007	549	1258	2/2
16	WSK3-505	350	120	2/2
17	WSK3-506	350	120	2/2
18	WSP-9095	265	348	2/2
19	WSP-9096	581	348	2/2
20	WTR-5026	255	120	1/2
21	WTR-5027	571	120	1/2
22	wp-608	608	30	1/2



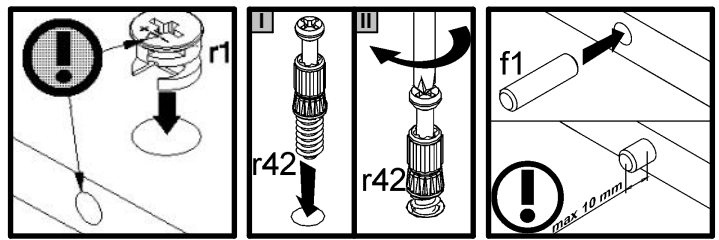
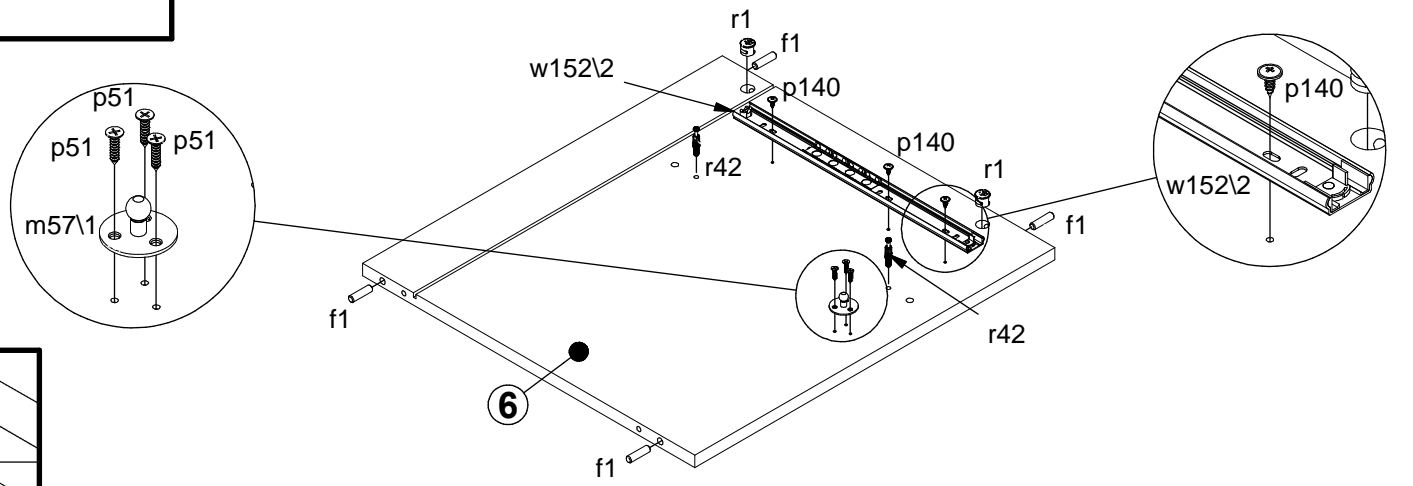




2x 350mm w152\2	6x Ø3,5x12mm p140	4x Ø8x30 mm f1	2x Ø15x12 mm #16 r1	4x r42	2x Ø5x17 mm d1
------------------------------	--------------------------------	-----------------------------	----------------------------------	------------------	-----------------------------

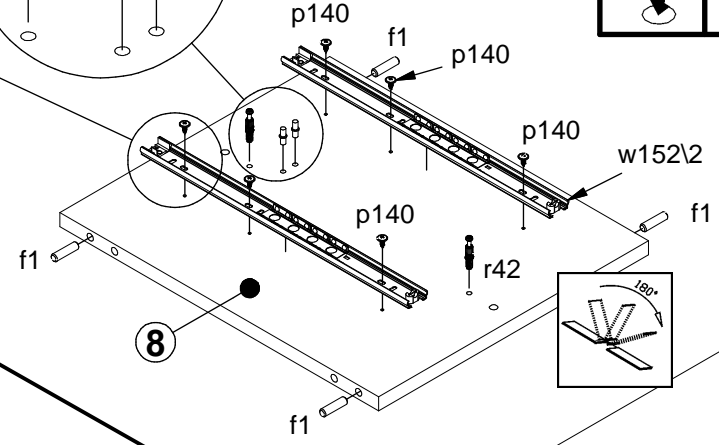
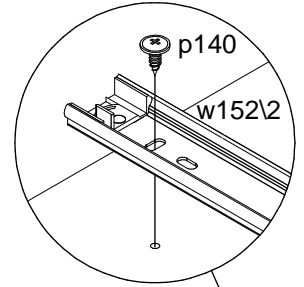
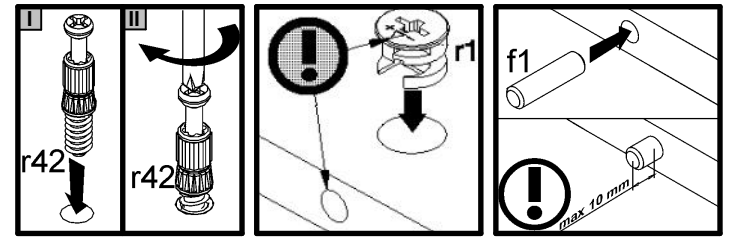
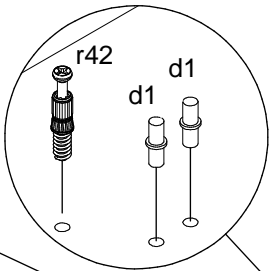
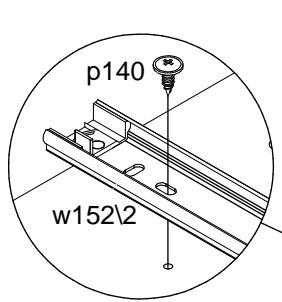


1

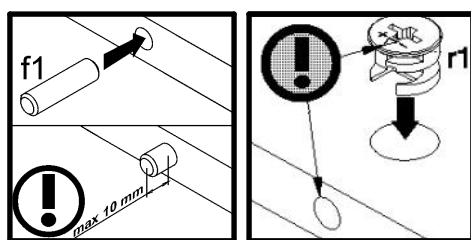
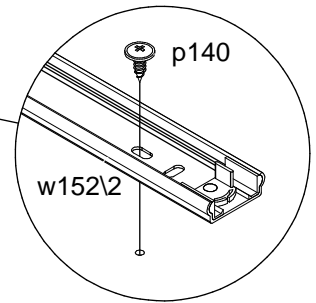
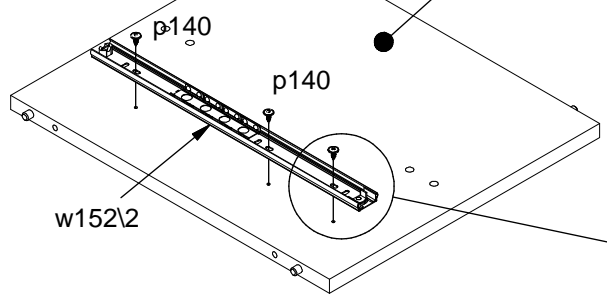
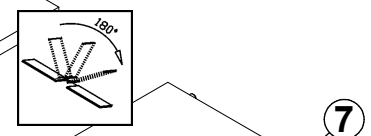
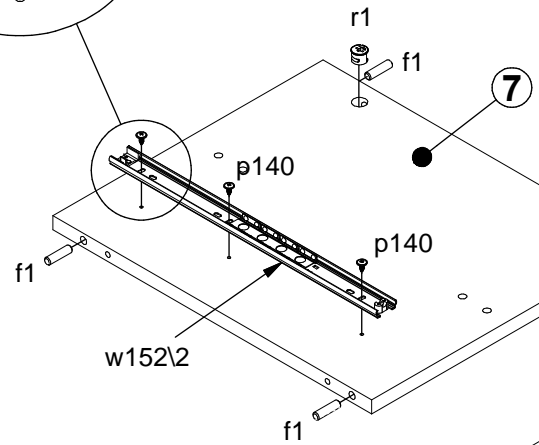


1x 350mm w152\2	3x Ø3,5x12mm p140	4x Ø8x30 mm f1	2x Ø15x12 mm #16 r1	2x r42	1x m57\1	3x Ø3,5x15 mm p51
------------------------------	--------------------------------	-----------------------------	----------------------------------	------------------	--------------------	--------------------------------

1



- 2x r1
Ø15x12 mm #16
- 4x f1
Ø8x30 mm
- 2x r42
- 2x d1
Ø5x17 mm
- 2x w152\2
350mm
- 6x p140
Ø3,5x12mm



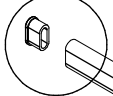
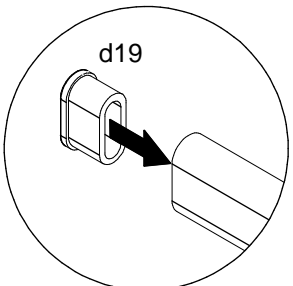
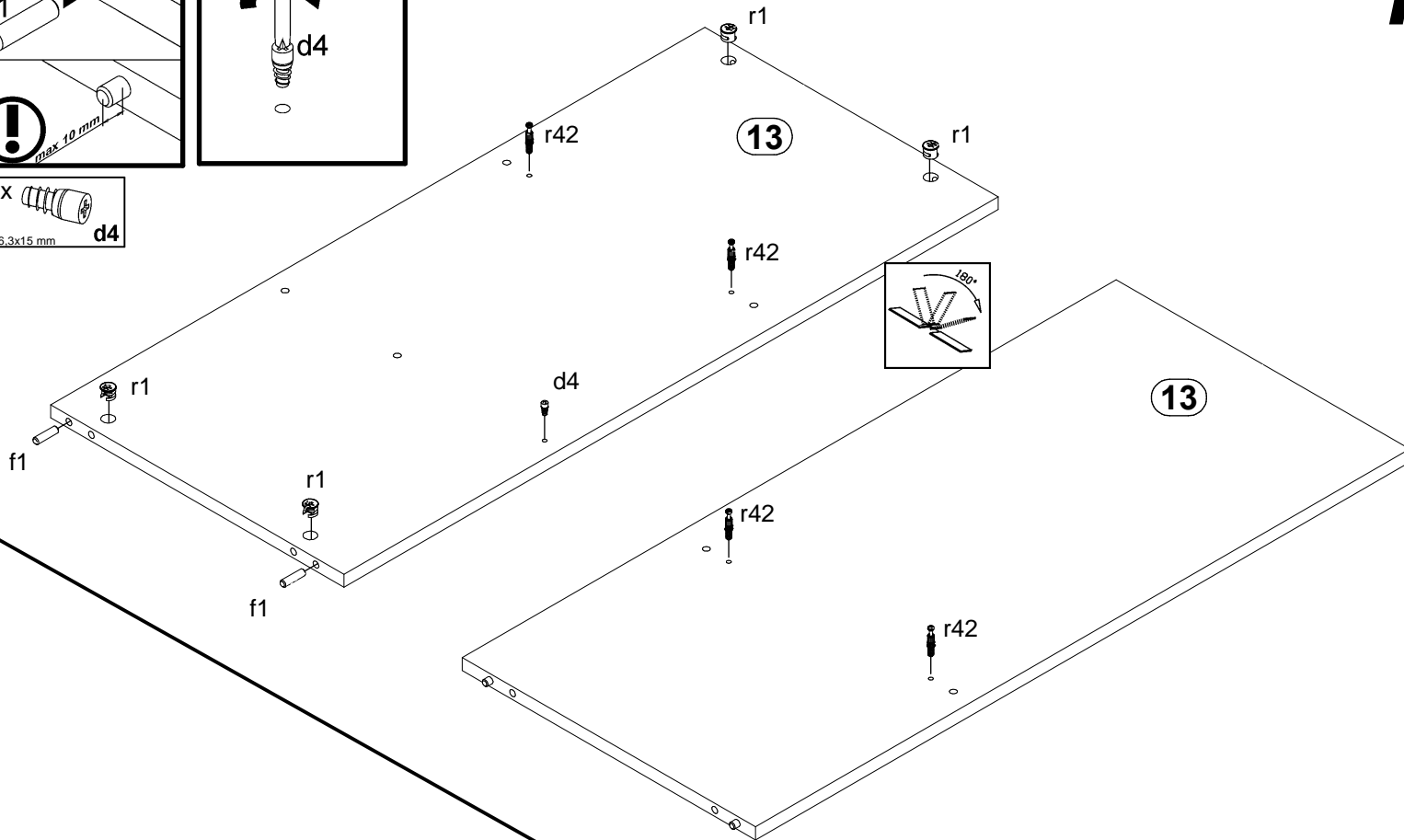
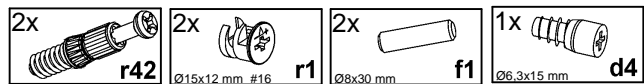
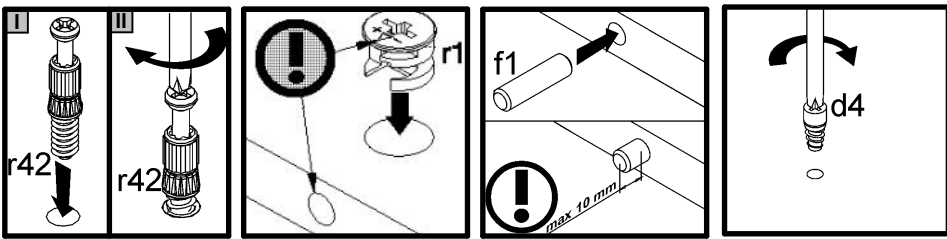
- 6x p140
Ø3,5x12mm
- 2x w152\2
350mm
- 4x f1
Ø8x30 mm
- 2x r1
Ø15x12 mm #16

A

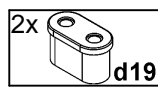
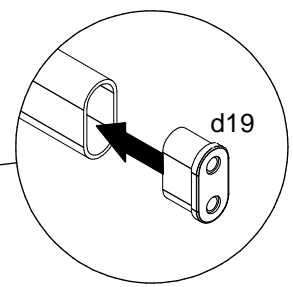
S248-RTV1K4S/6/13

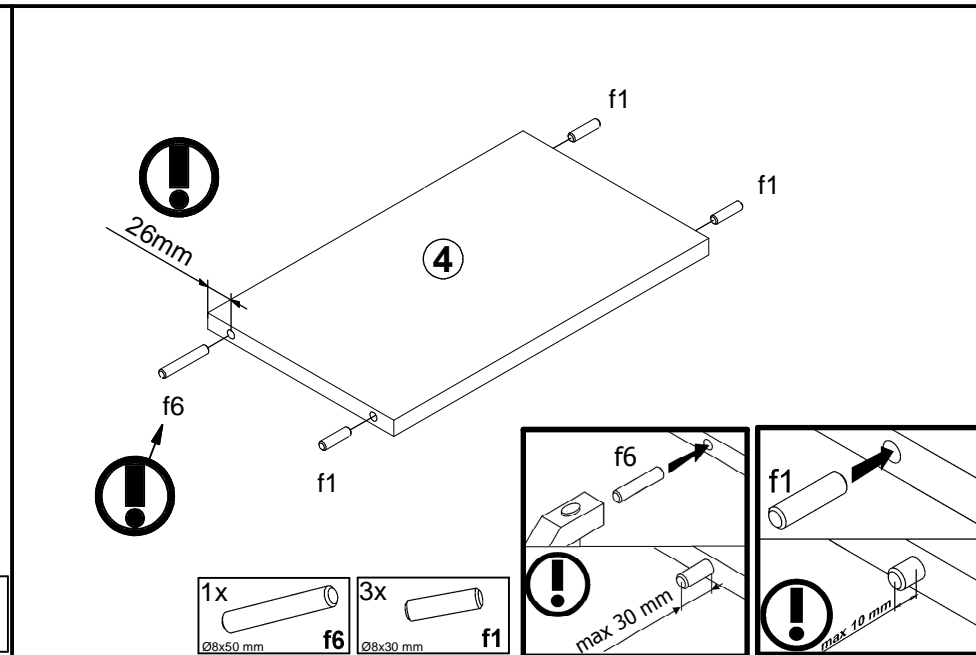
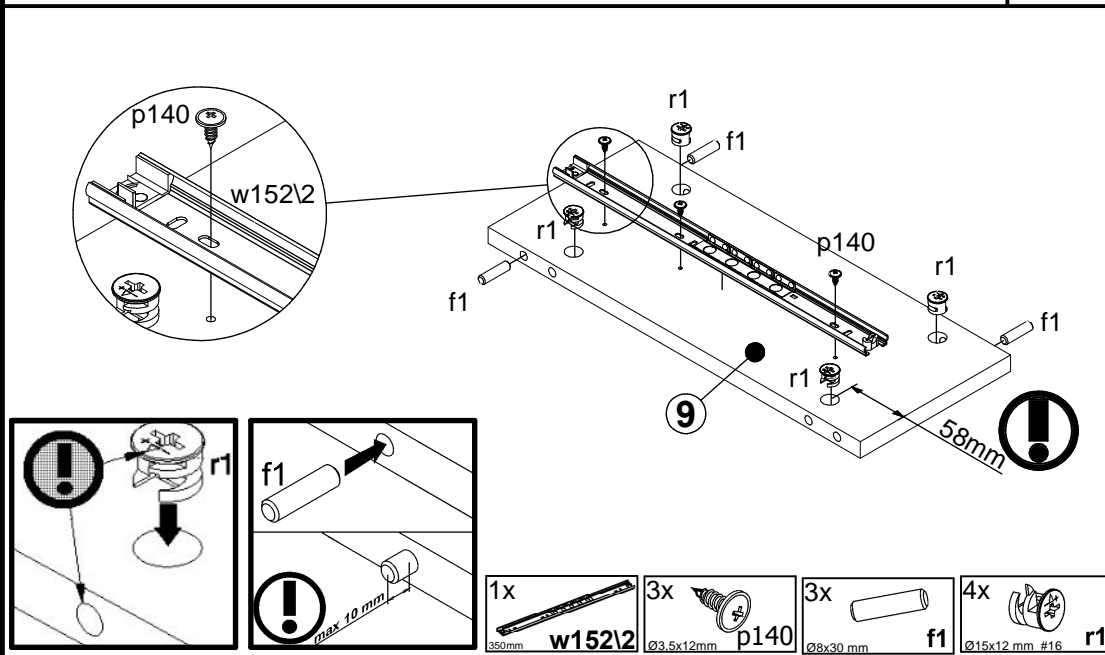
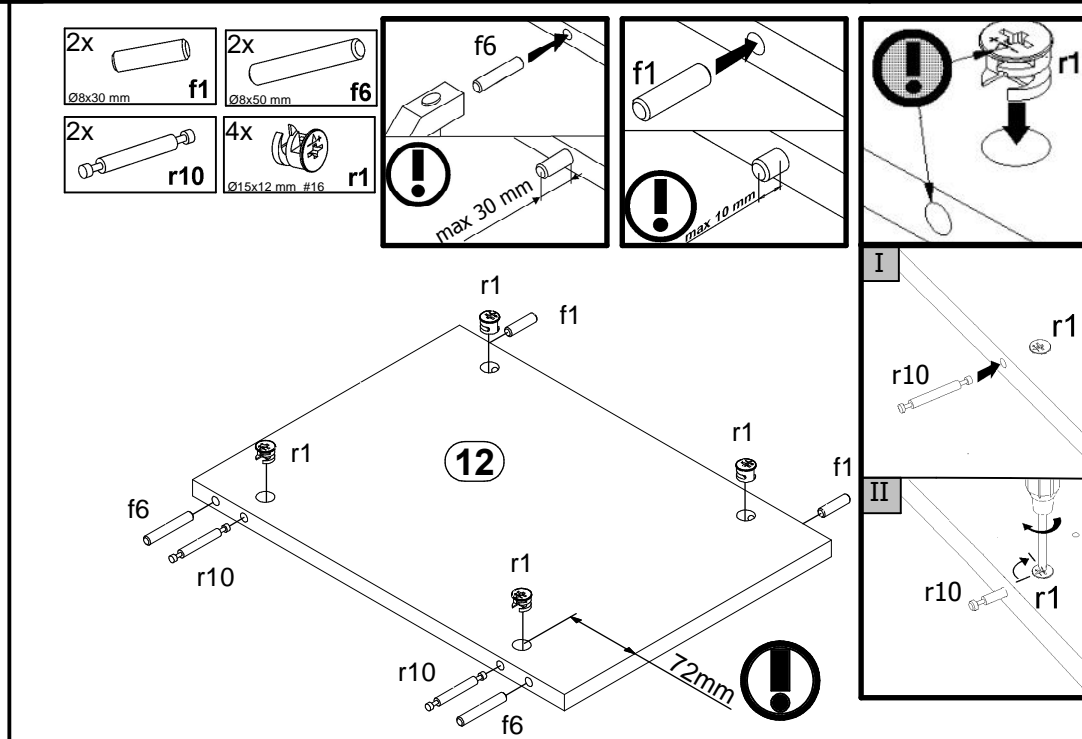
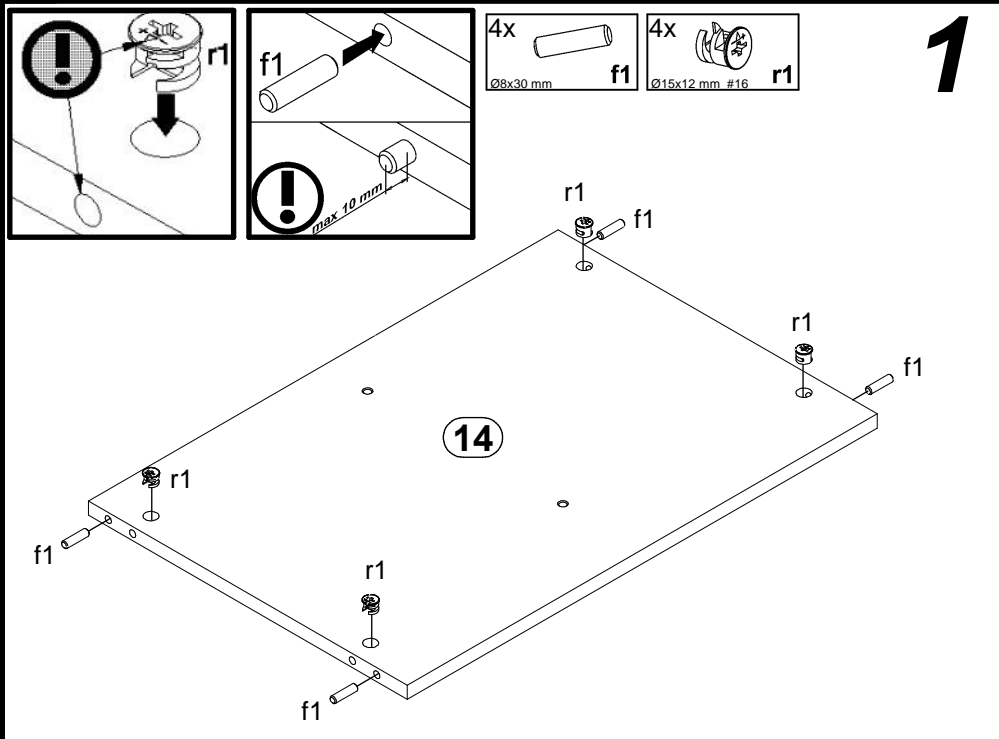
10D0--32

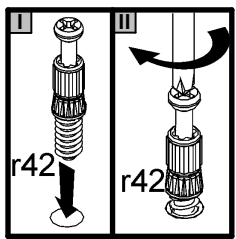
1



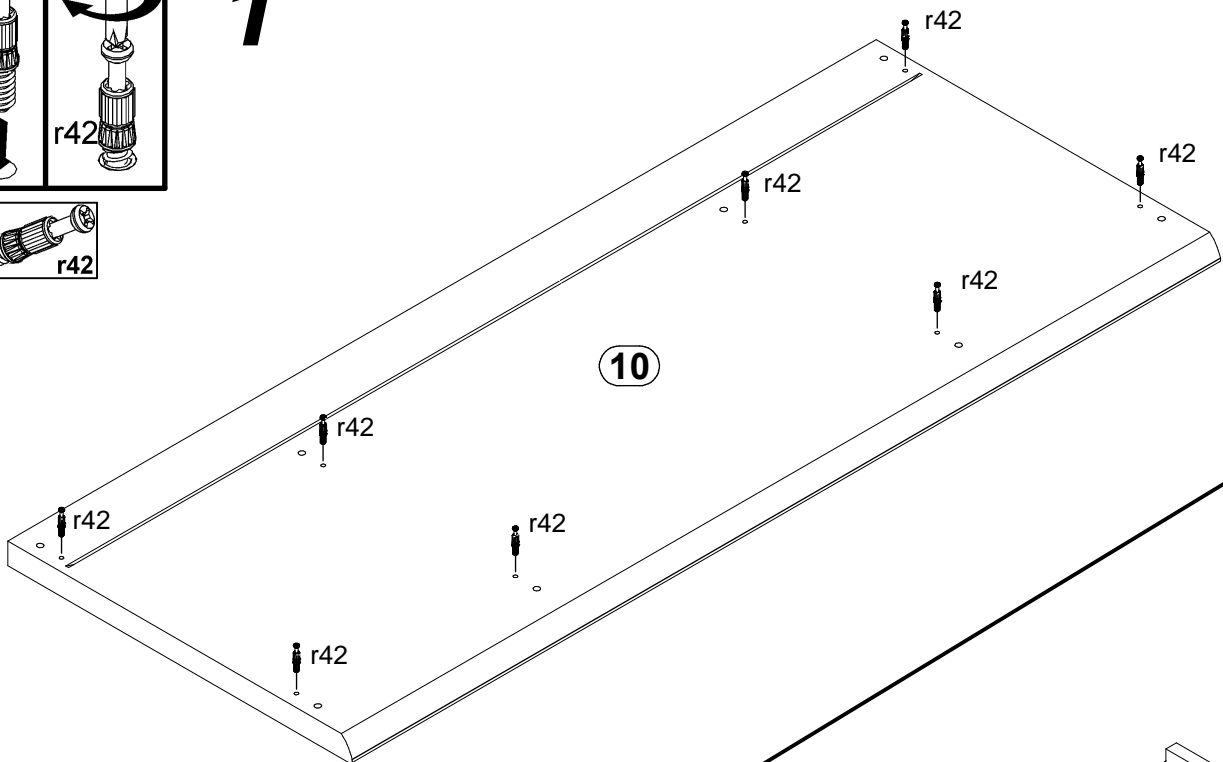
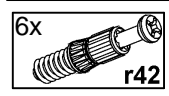
22



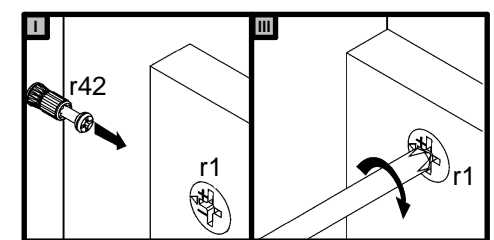
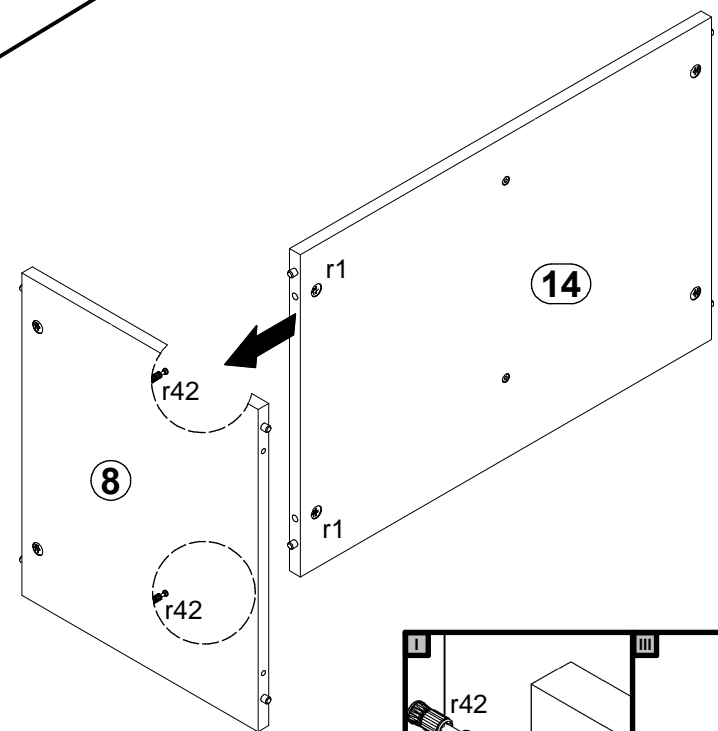


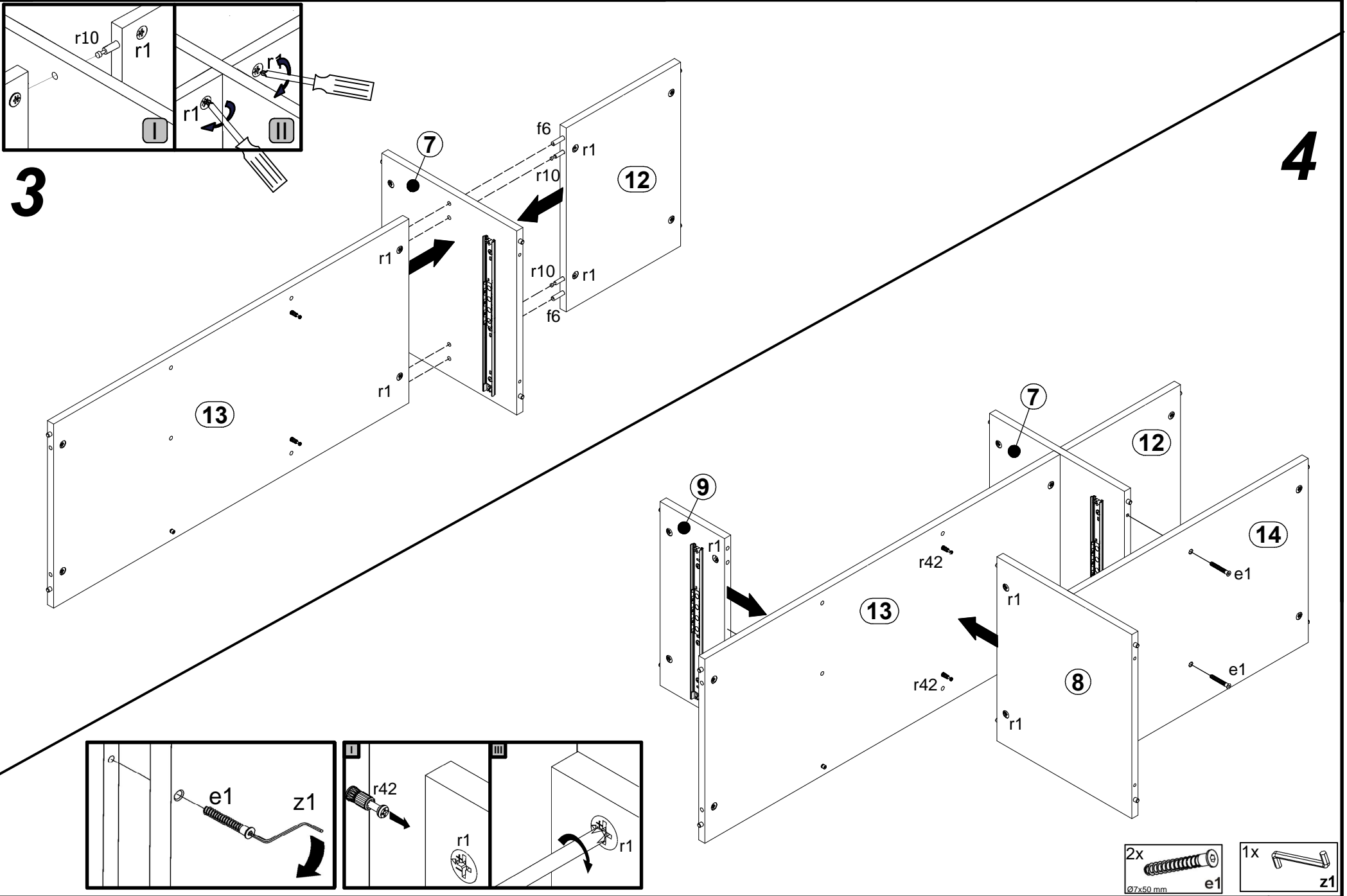


1

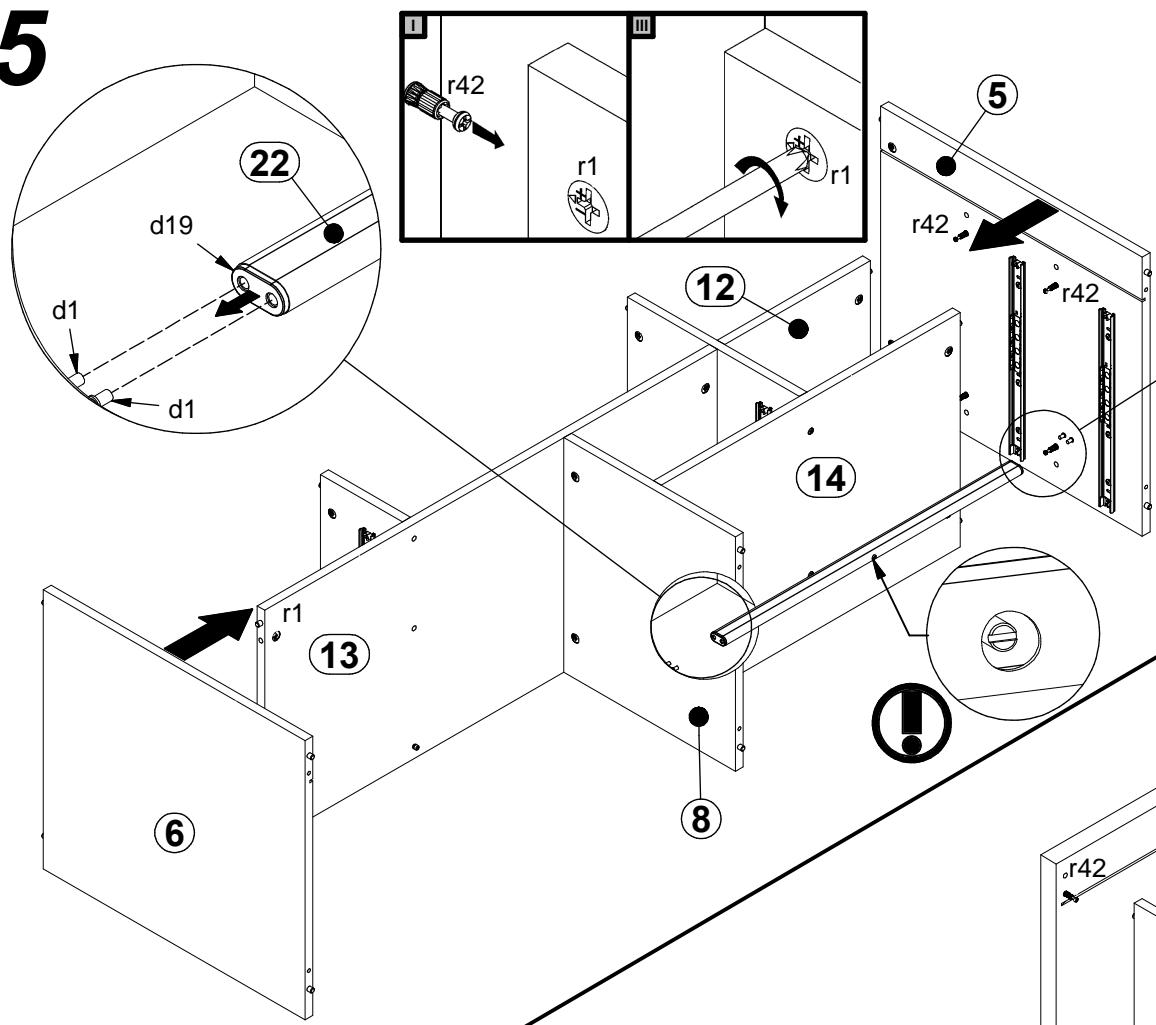


2

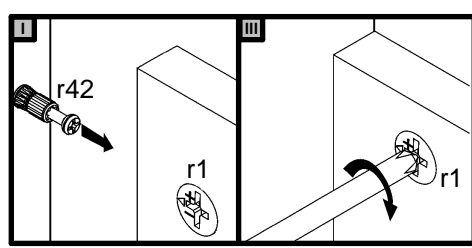
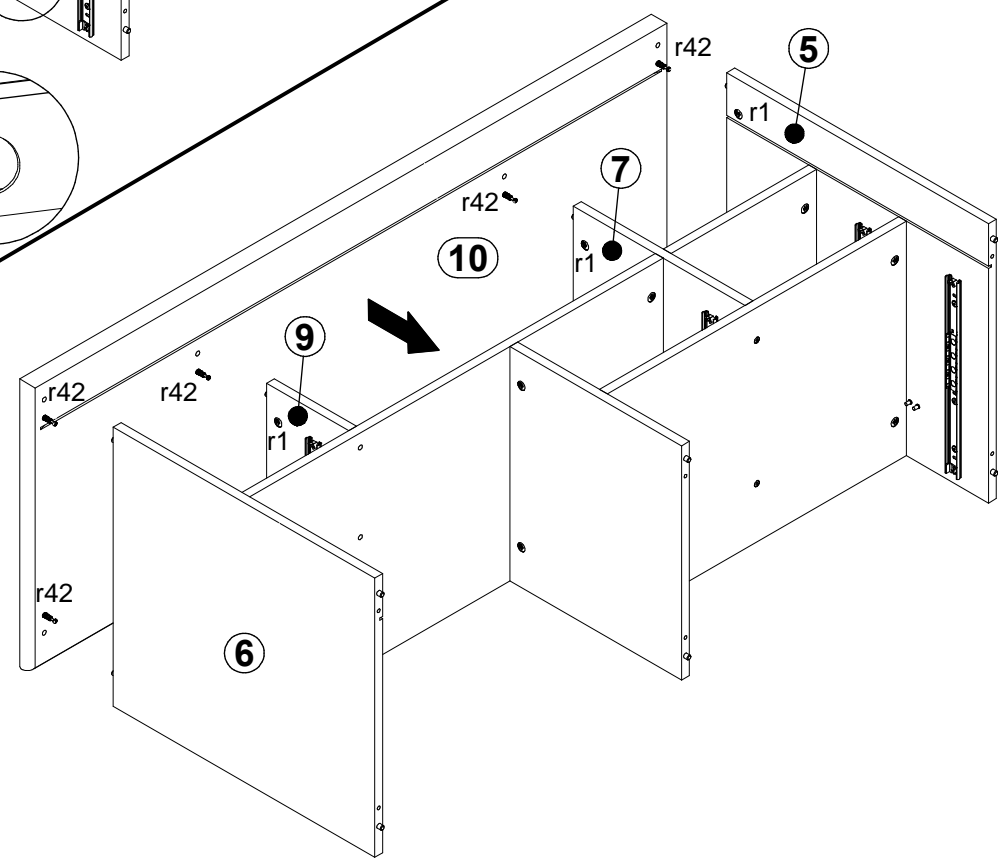




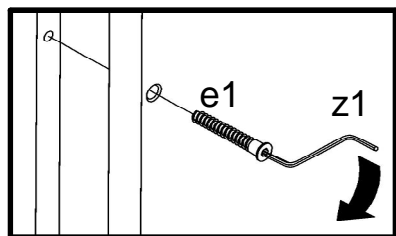
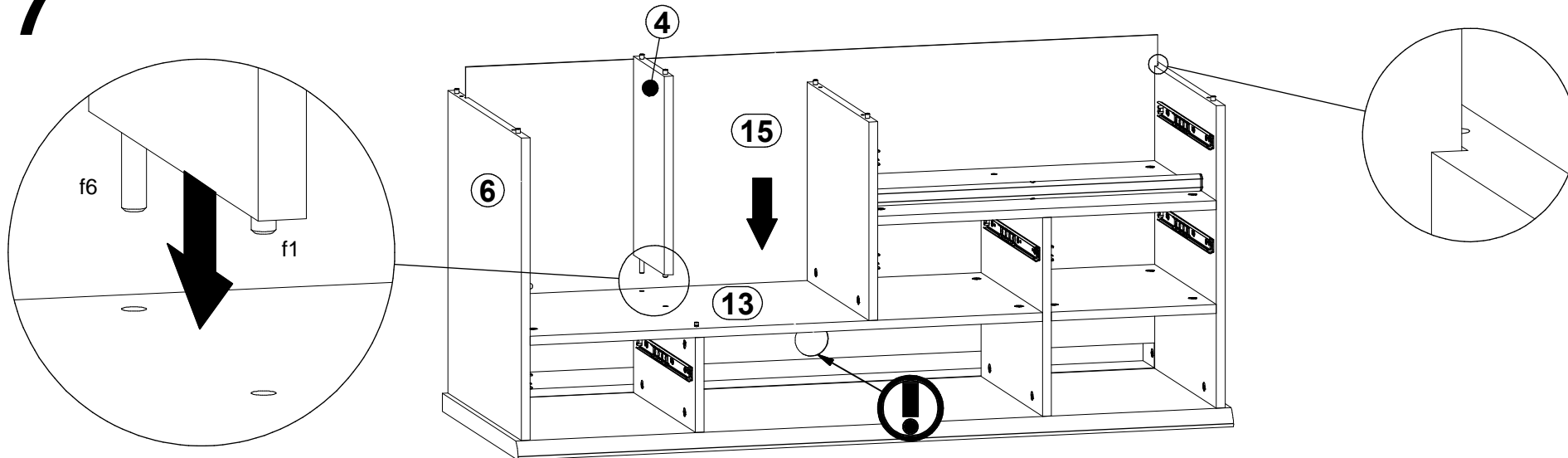
5



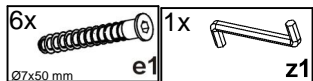
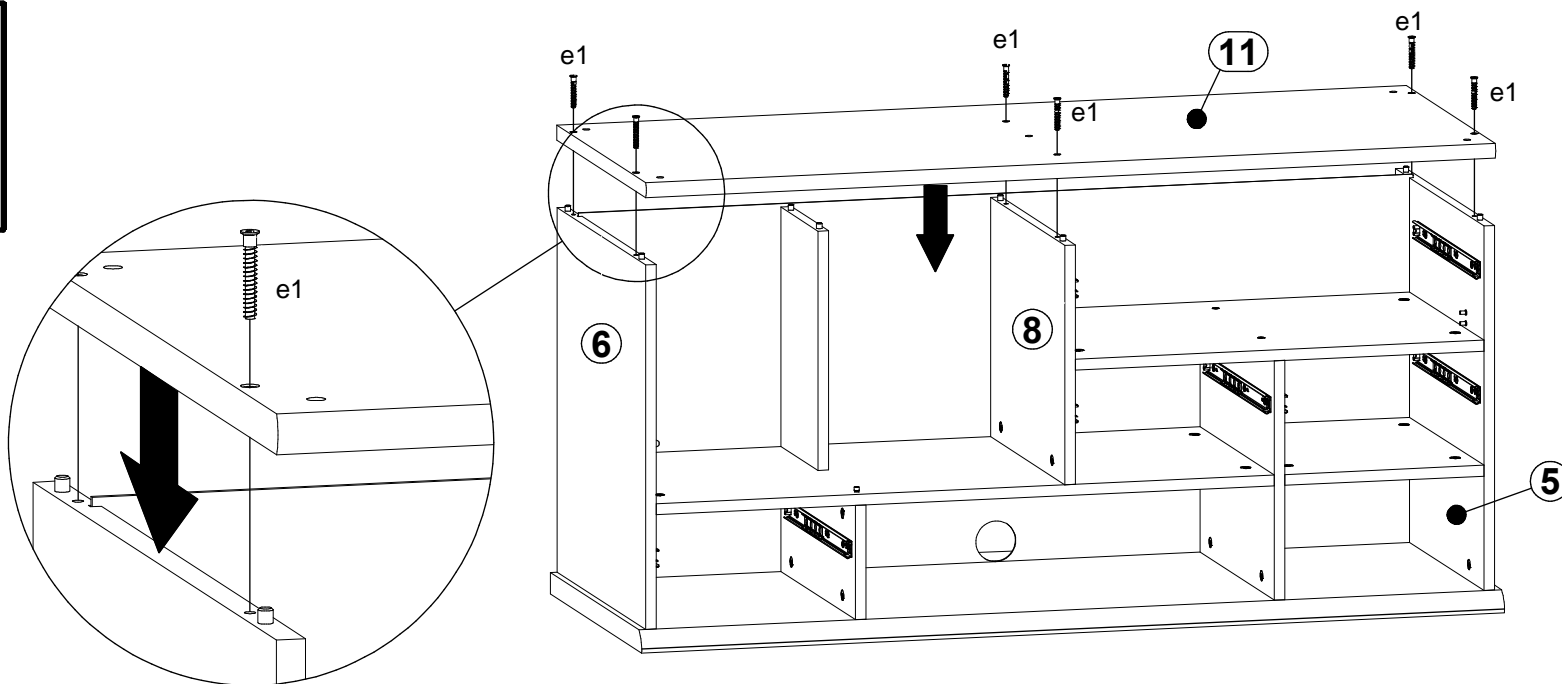
6

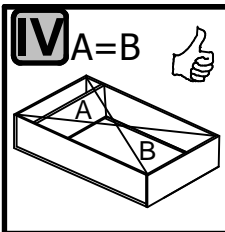
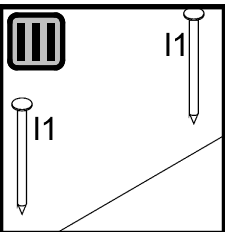
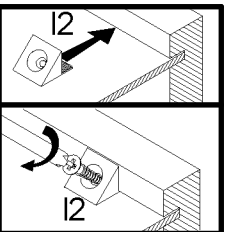
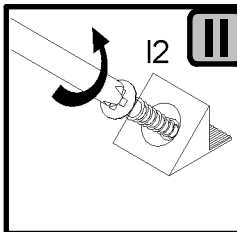
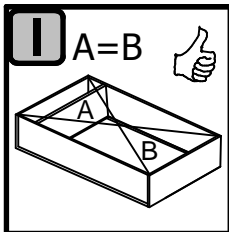


7

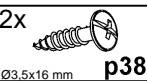
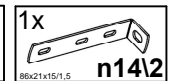
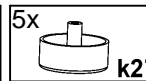
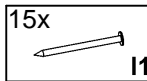
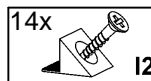
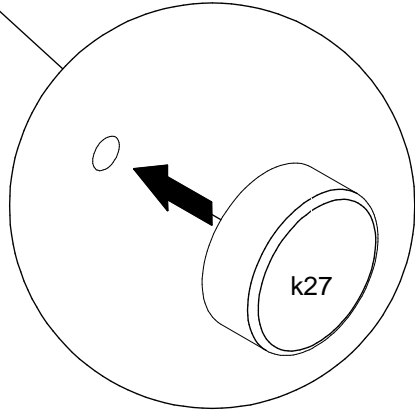
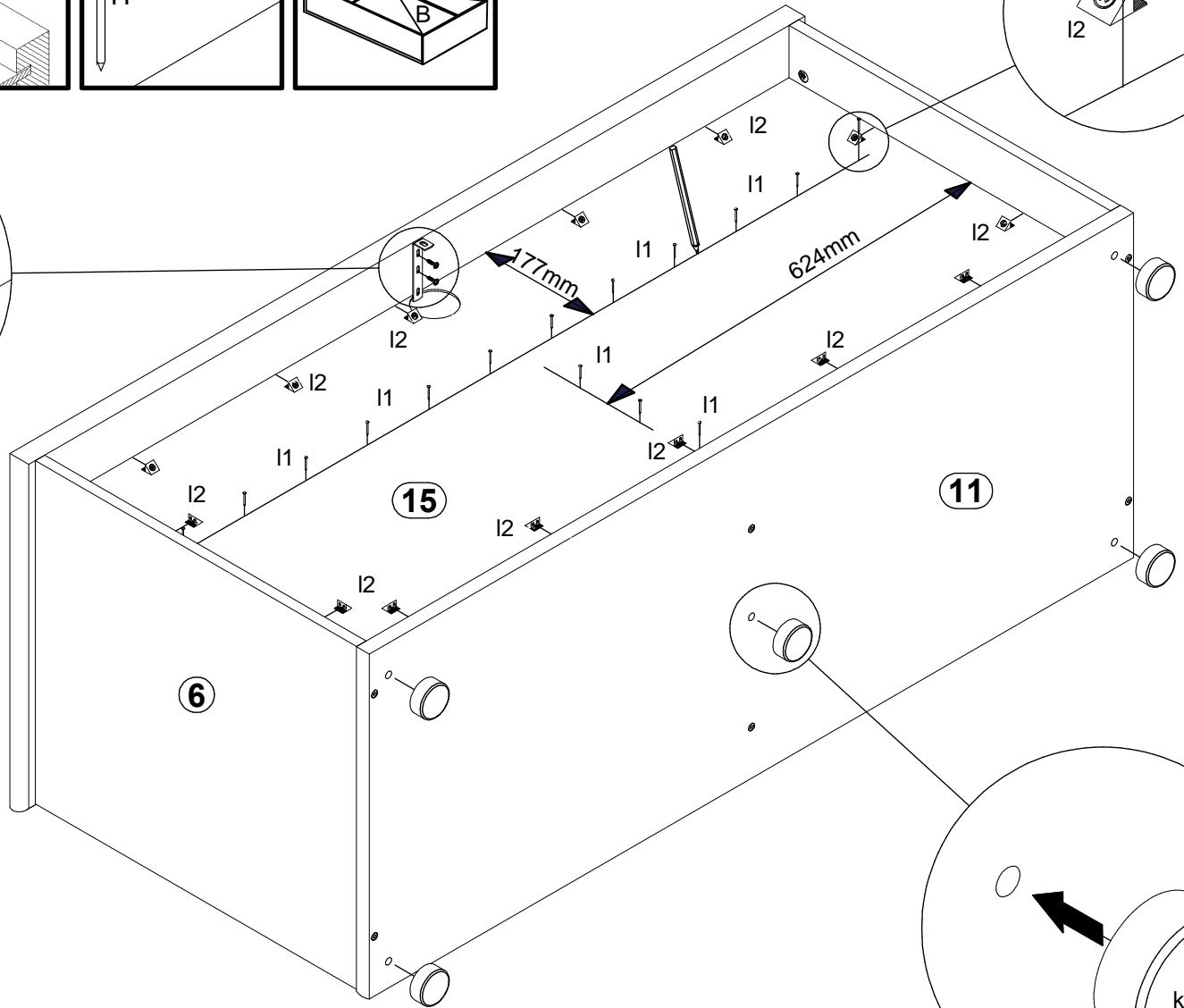
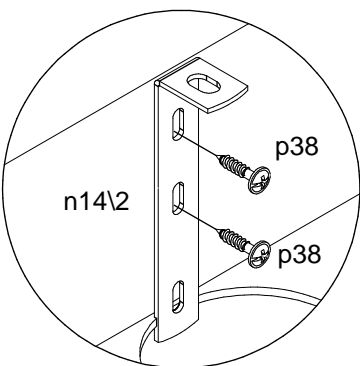
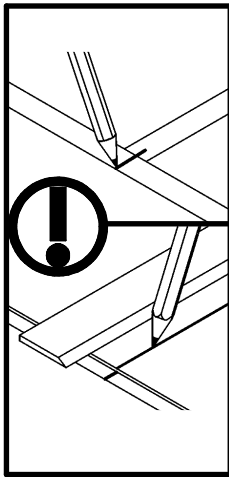
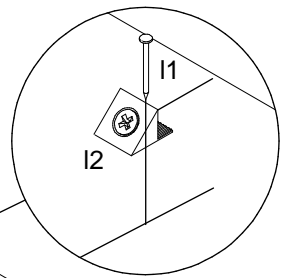


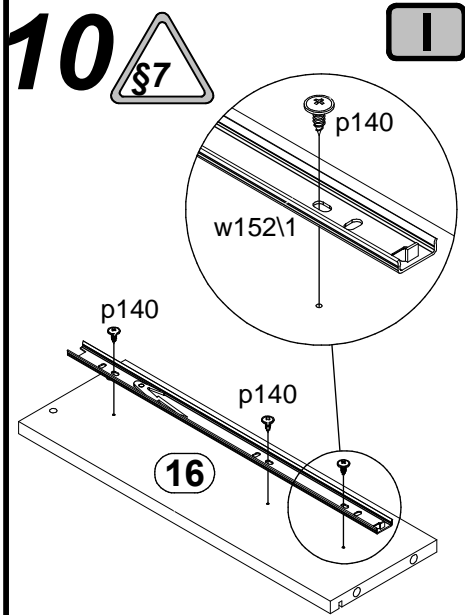
8





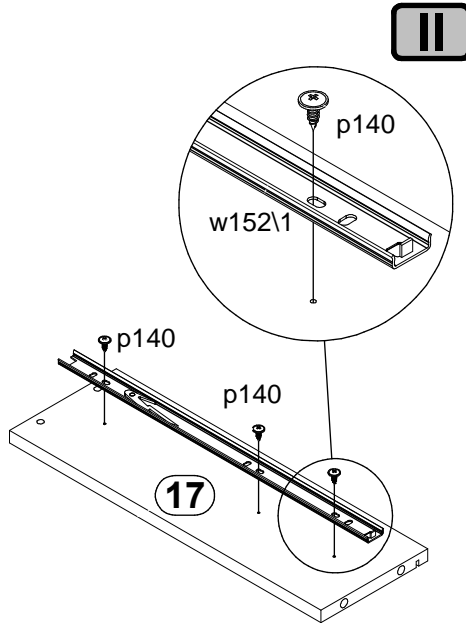




9

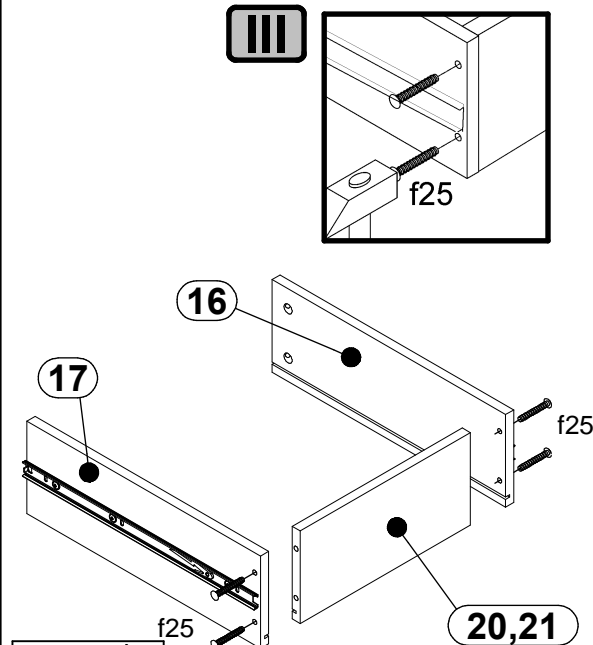





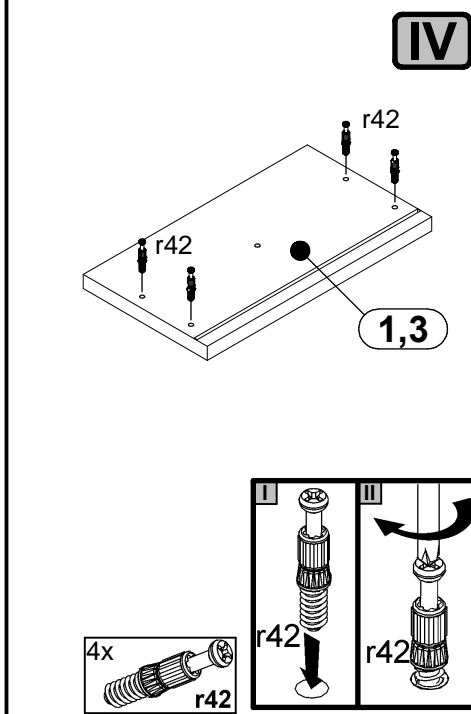
- 1x  w15211 350mm
- 3x  p140 Ø3,5x12mm




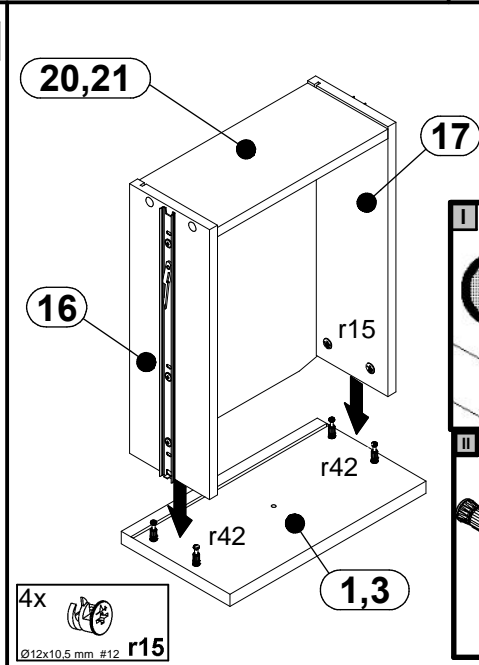
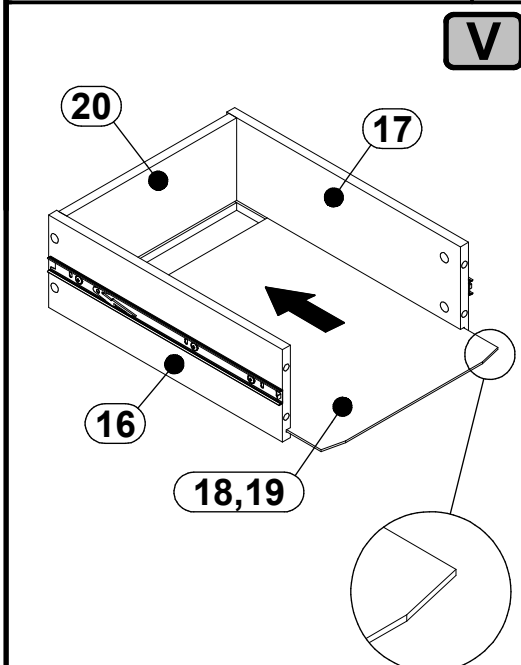
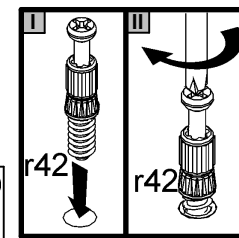
- 1x  w15211 350mm
- 3x  p140 Ø3,5x12mm



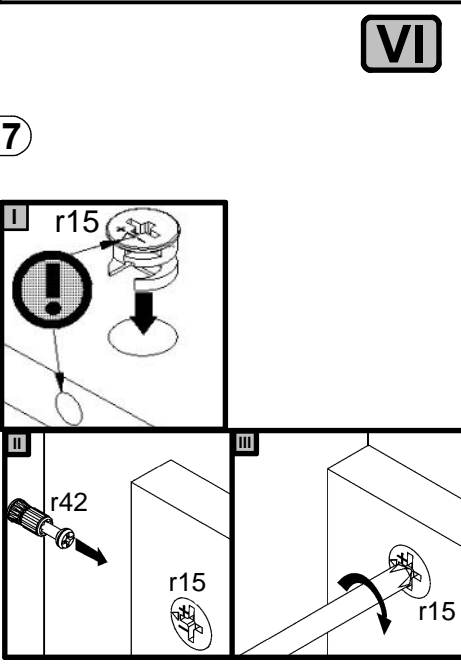
- 4x  f25 Ø6,5x40 mm





- 4x  r42

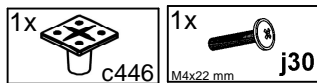


- 4x  r15 Ø12x10,5 mm #12

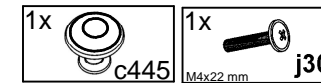
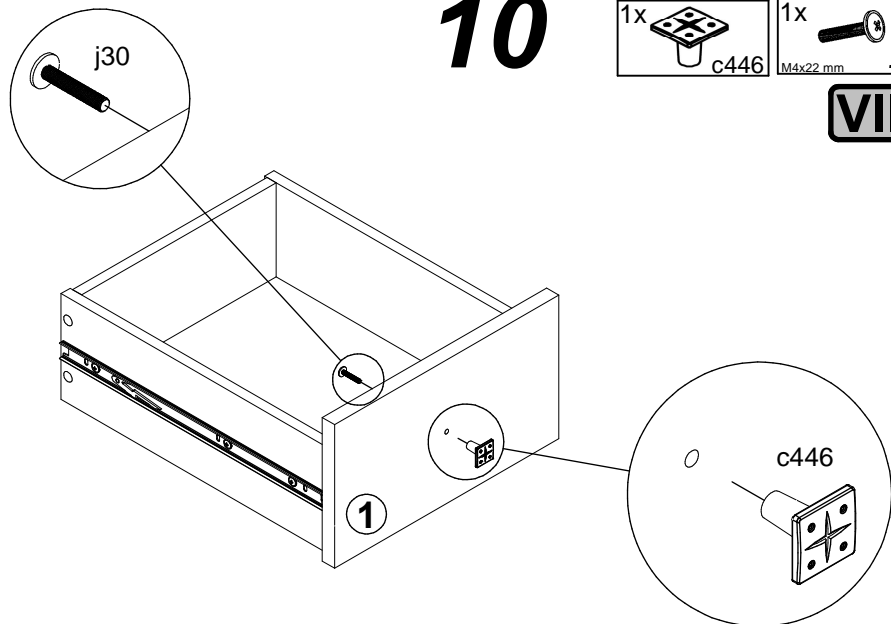


- 1x  t19 333 mm
- 2x  p25 Ø3,5x16 mm

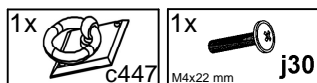
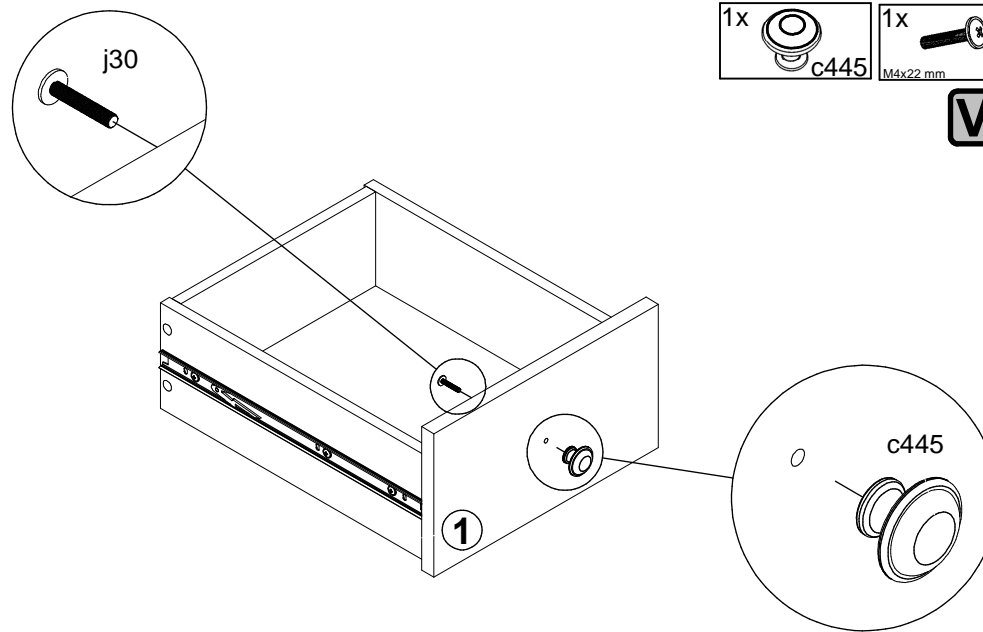
10



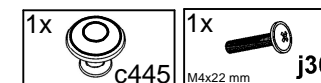
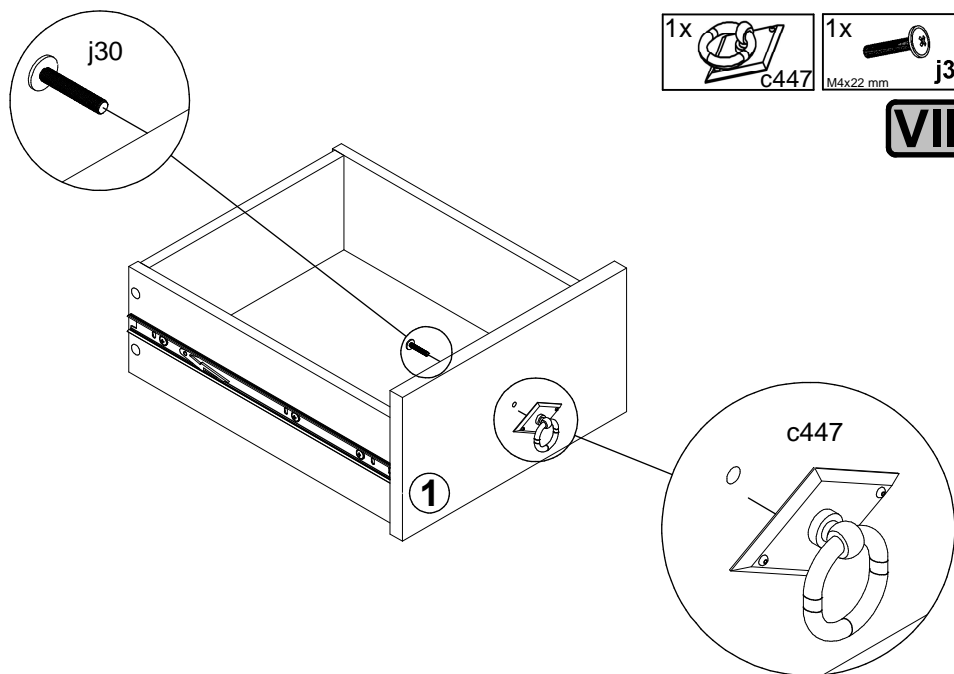
VII



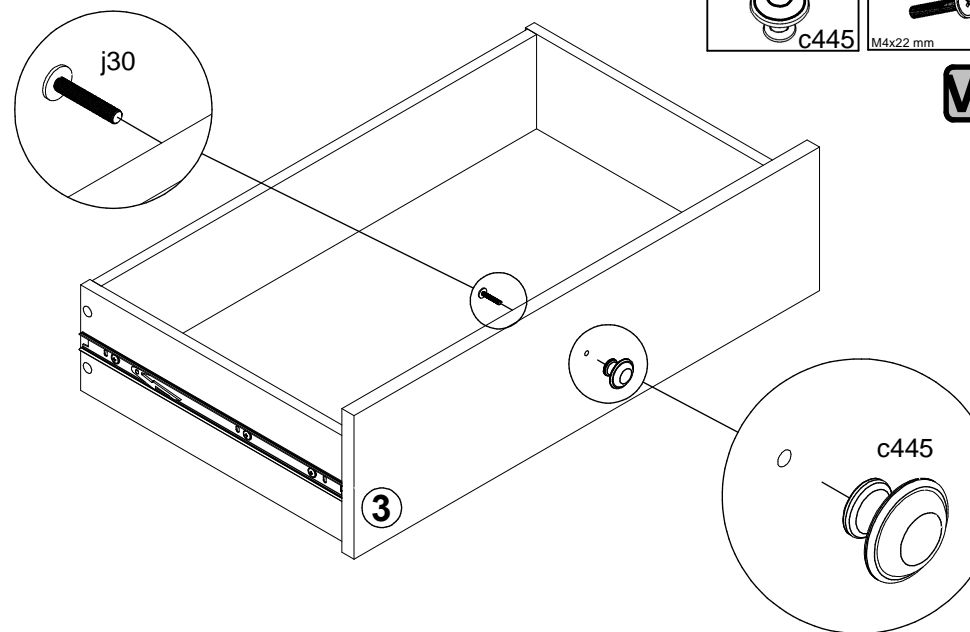
VII



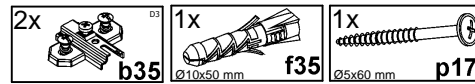
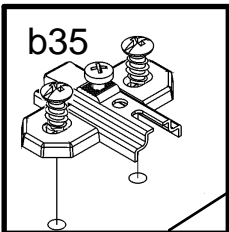
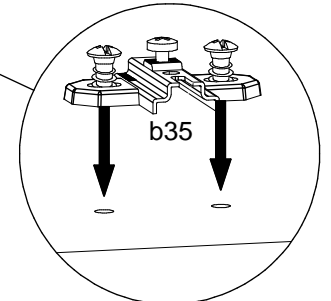
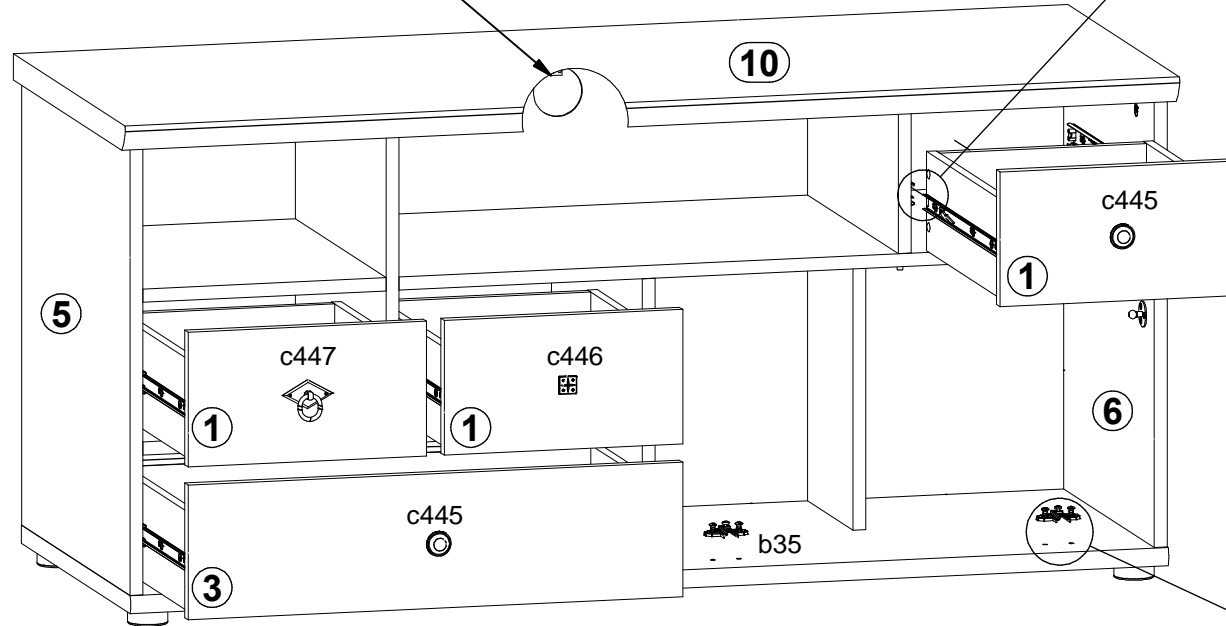
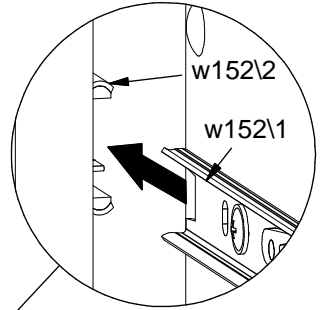
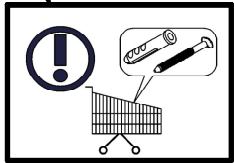
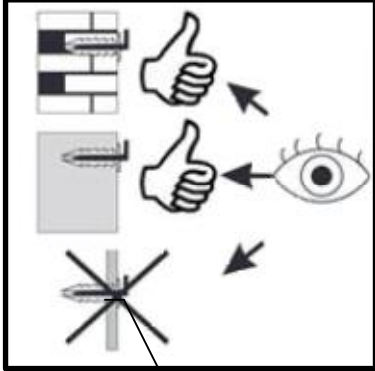
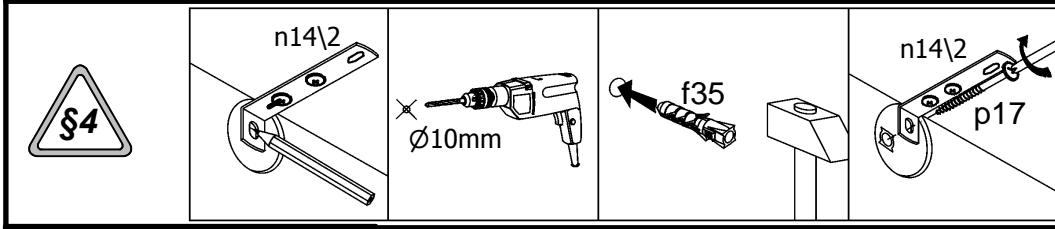
VII

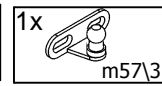
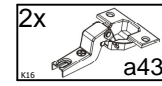
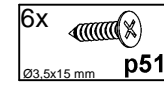
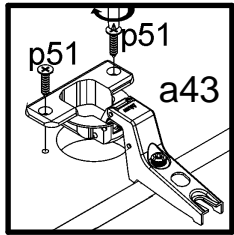


VII

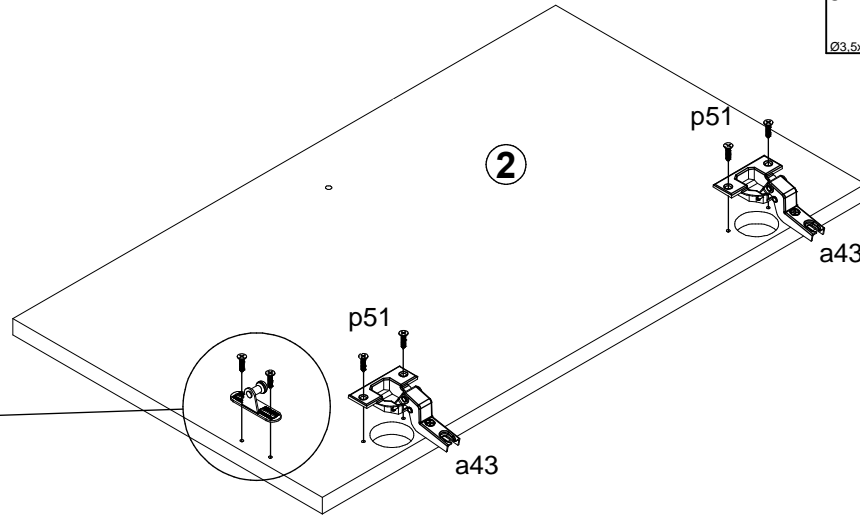
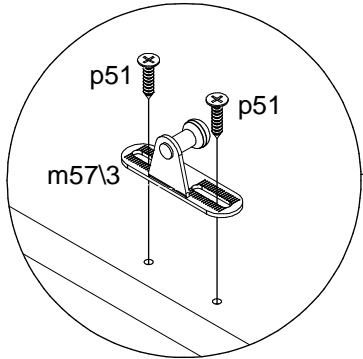


11

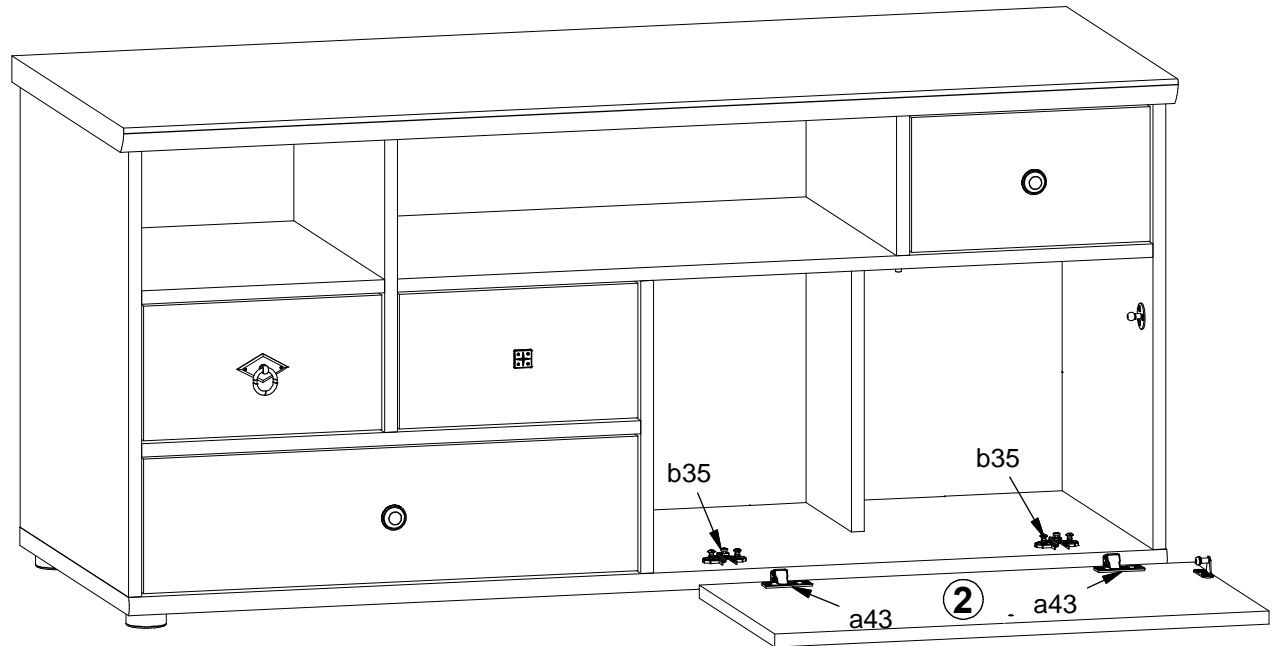
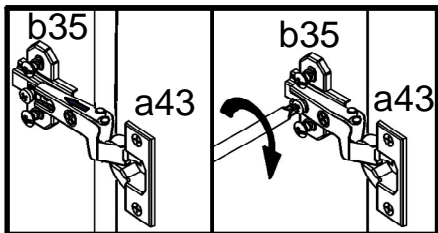




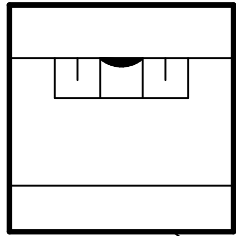
11



12



13



- 1x m56\1
- 1x C447
- 1x M4x22 mm j30
- 6x s2

