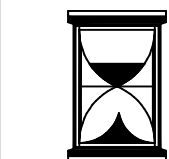
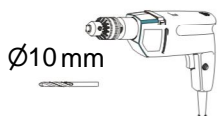
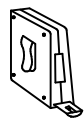
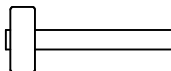
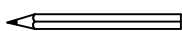
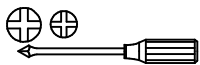
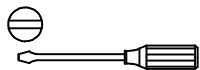
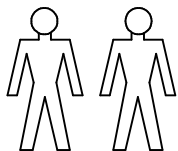


A

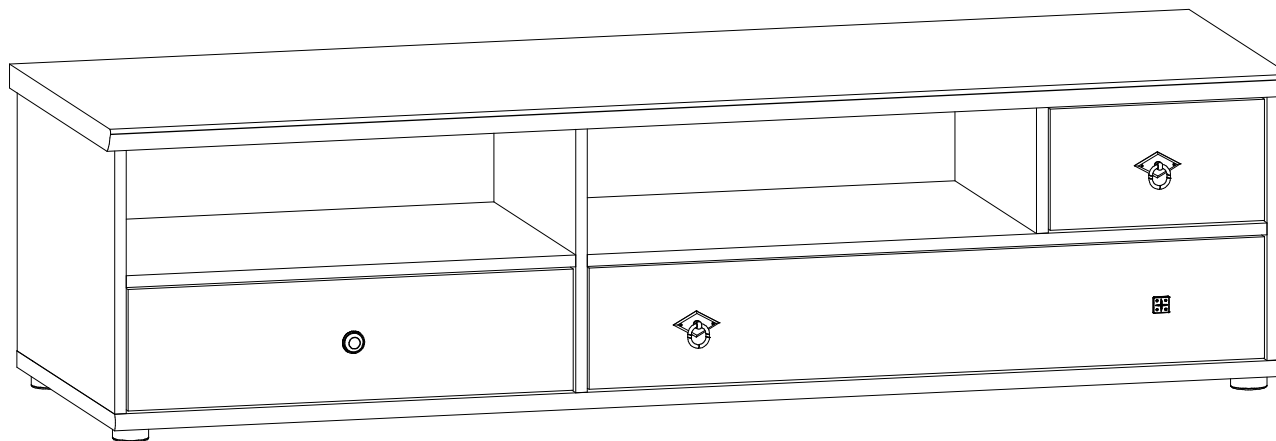
S248-RTV3S/4/16

10D0--31

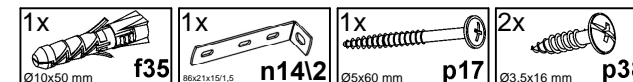
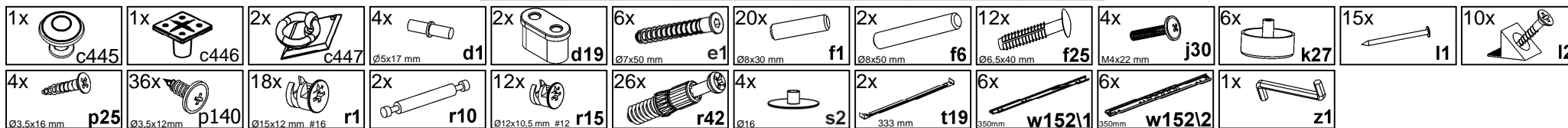
2 / 15

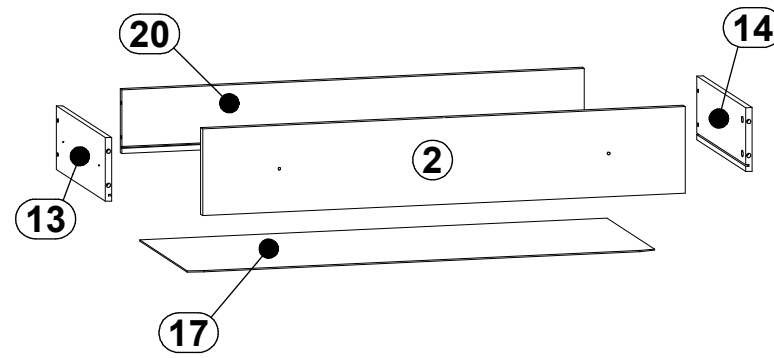
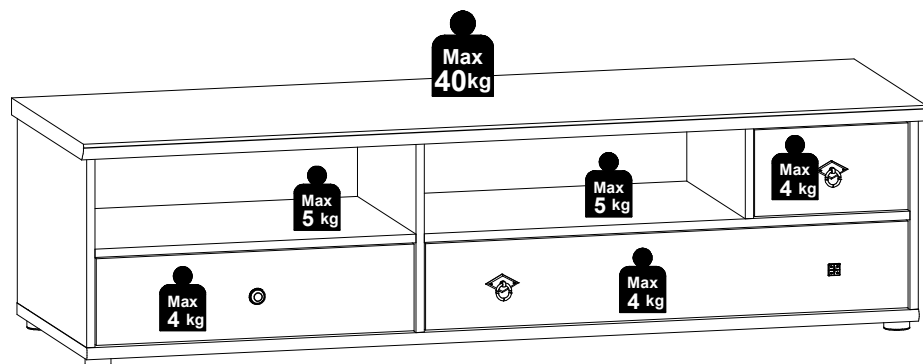
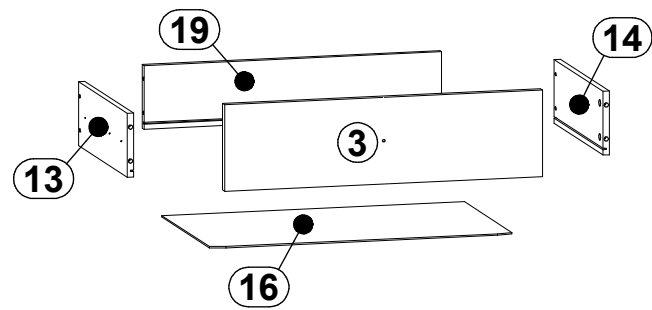
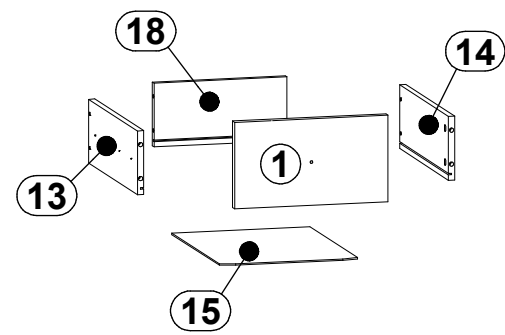
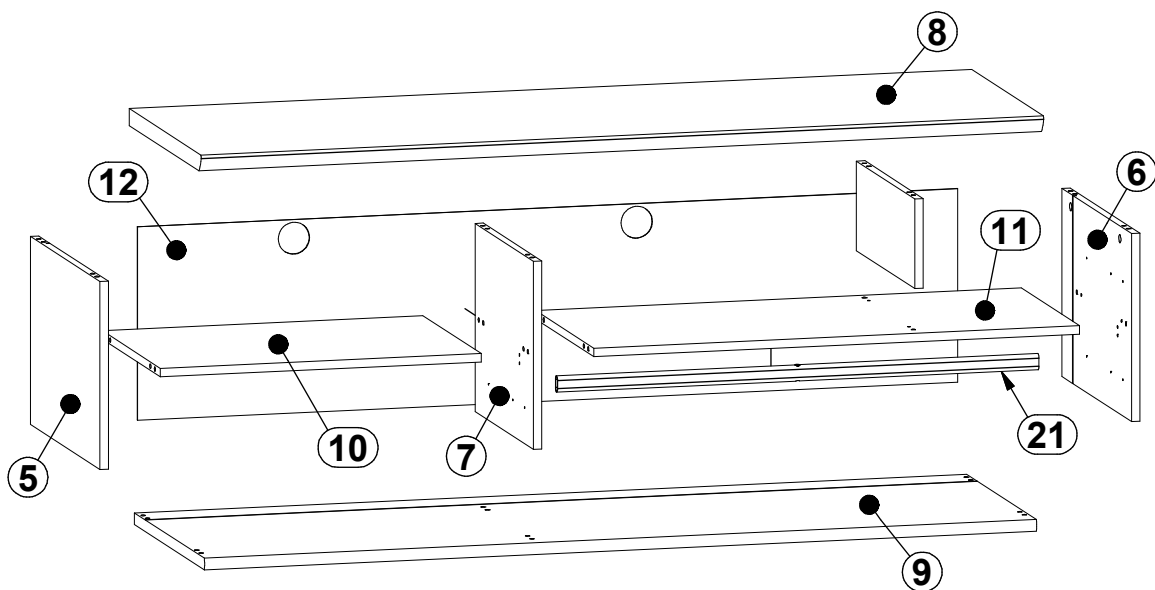


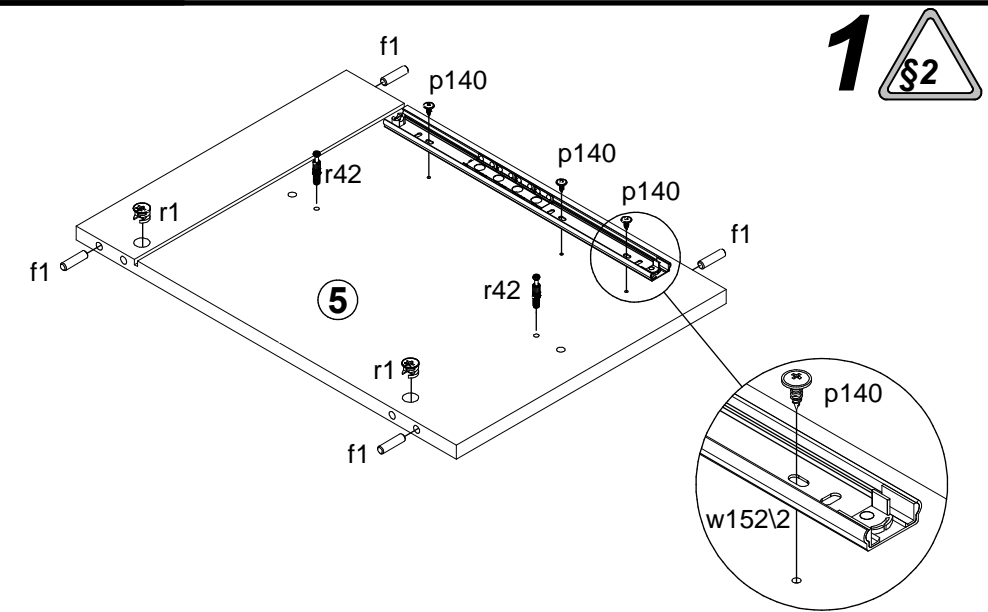
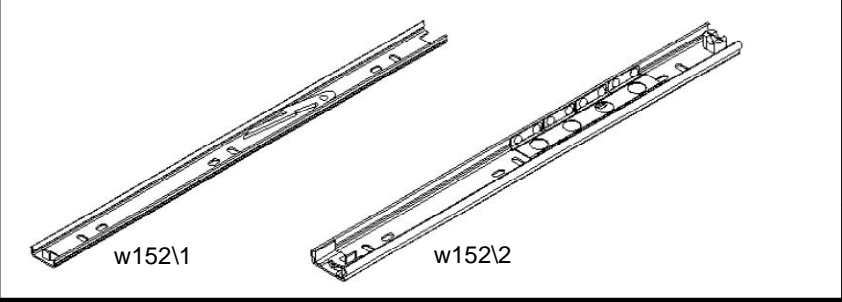
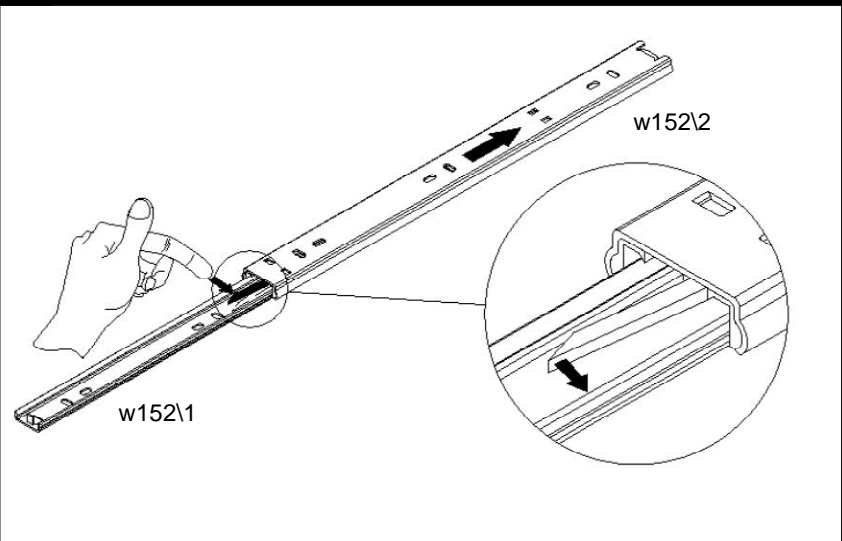
90min



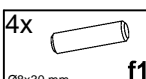
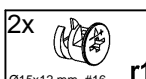
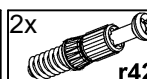


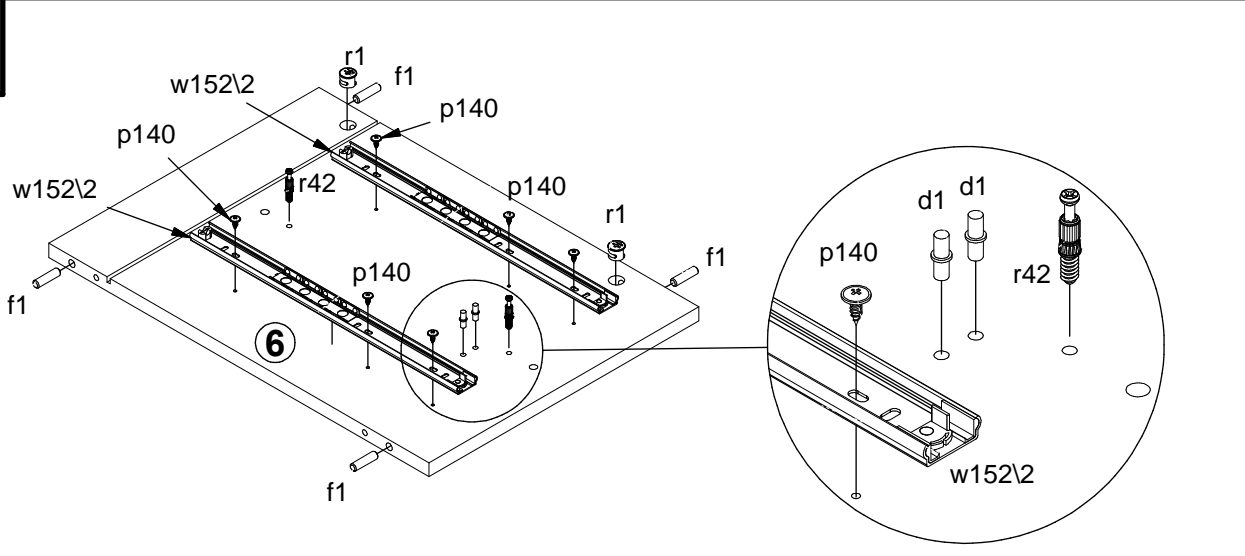
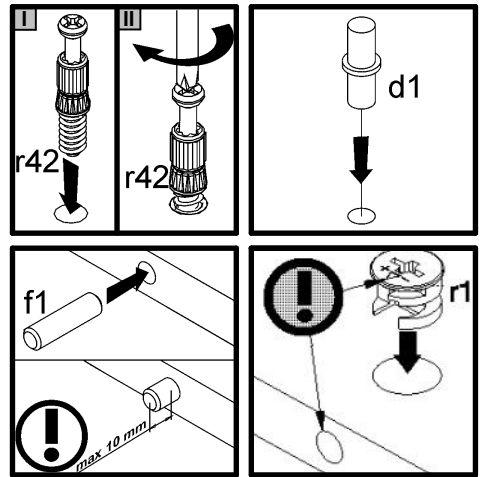
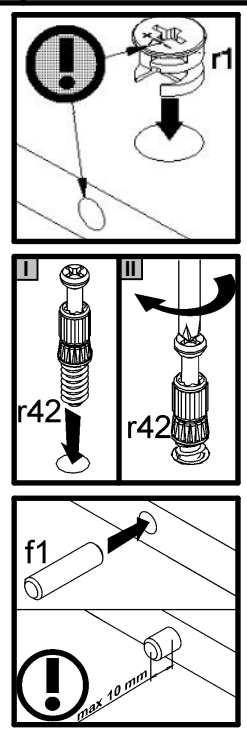
A	B	C (mm)		D
1	S248-0009	163	294	1/2
2	S248-0015	163	926	1/2
3	S248-0016	163	610	1/2
4	S248-1039	169	418	1/2
5	S248-1040	354	498	1/2
6	S248-1041	354	498	1/2
7	S248-1042	354	418	1/2
8	S248-2012	1617	516	2/2
9	S248-2013	1597	503	2/2
10	S248-3023	616	418	1/2
11	S248-3024	932	418	1/2
12	S248-9008	1574	364	2/2
13	WSK3-505	350	120	1/2
14	WSK3-506	350	120	1/2
15	WSP-9095	265	348	2/2
16	WSP-9096	581	348	2/2
17	WSP-9097	897	348	2/2
18	WTR-5026	255	120	1/2
19	WTR-5027	571	120	1/2
20	WTR-5028	887	120	1/2
21	wp-924	924	30	1/2

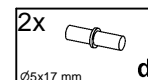


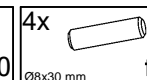
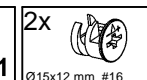
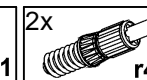




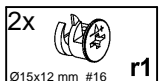
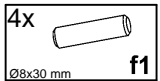
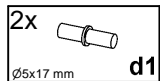
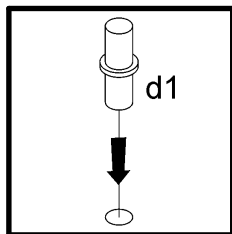
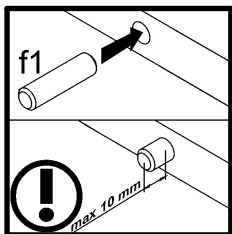
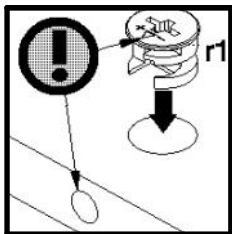
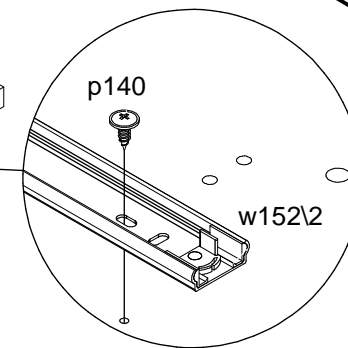
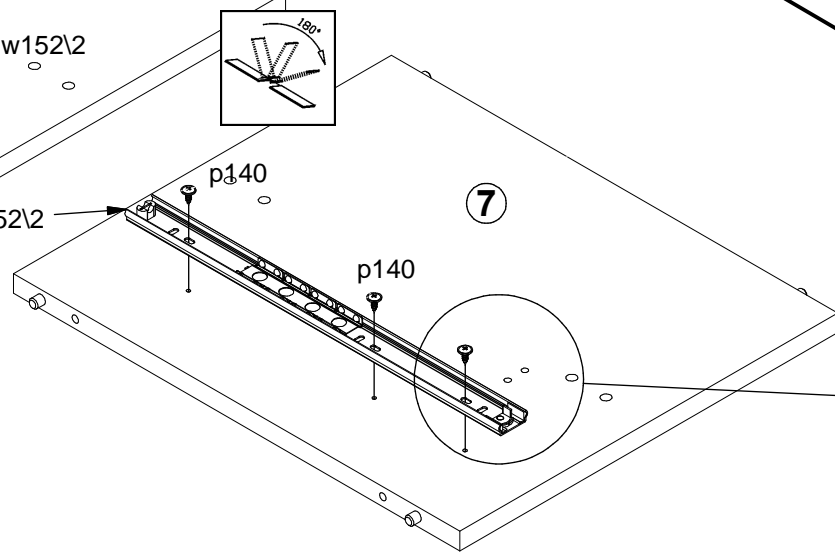
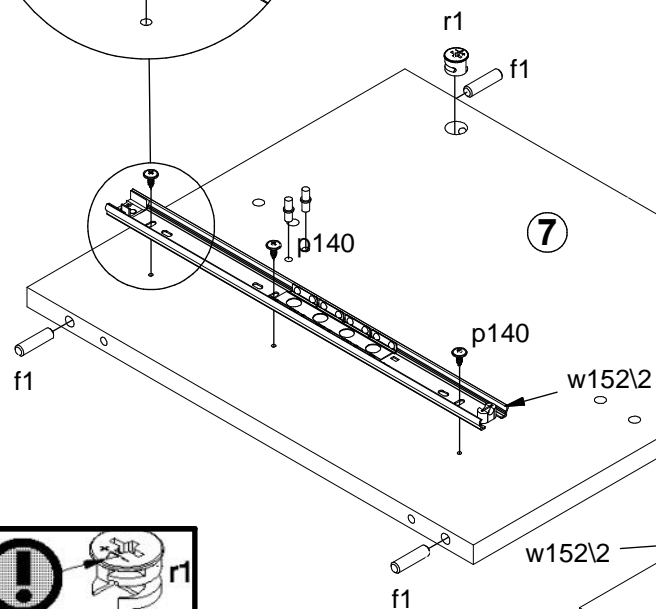
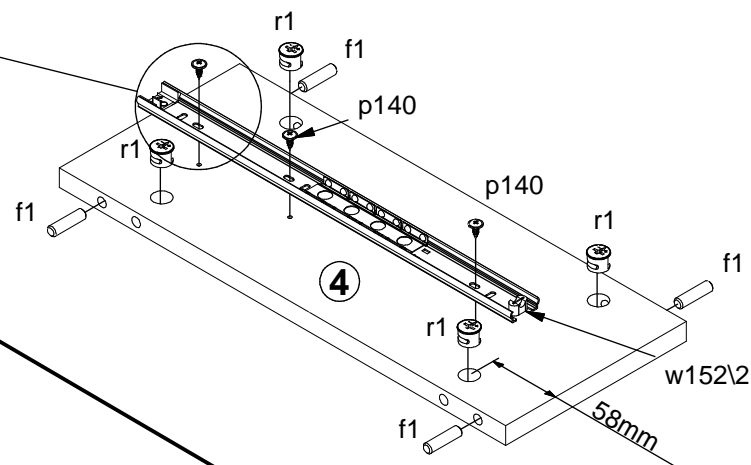
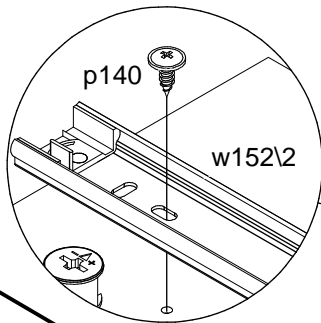
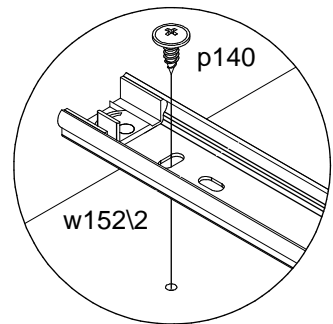
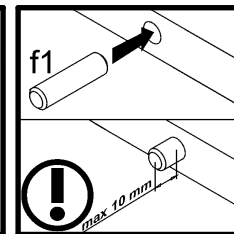
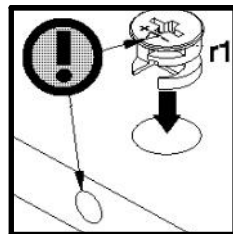
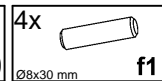
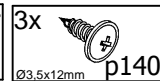
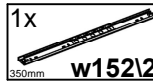


- 1x

350mm **w152\2**
- 3x

Ø3,5x12mm **p140**
- 4x

Ø8x30 mm **f1**
- 2x

Ø15x12 mm #16 **r1**
- 2x

r42

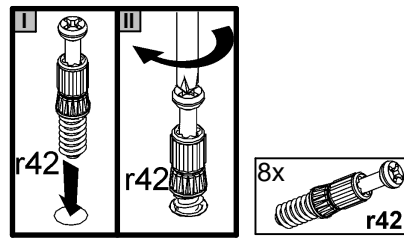
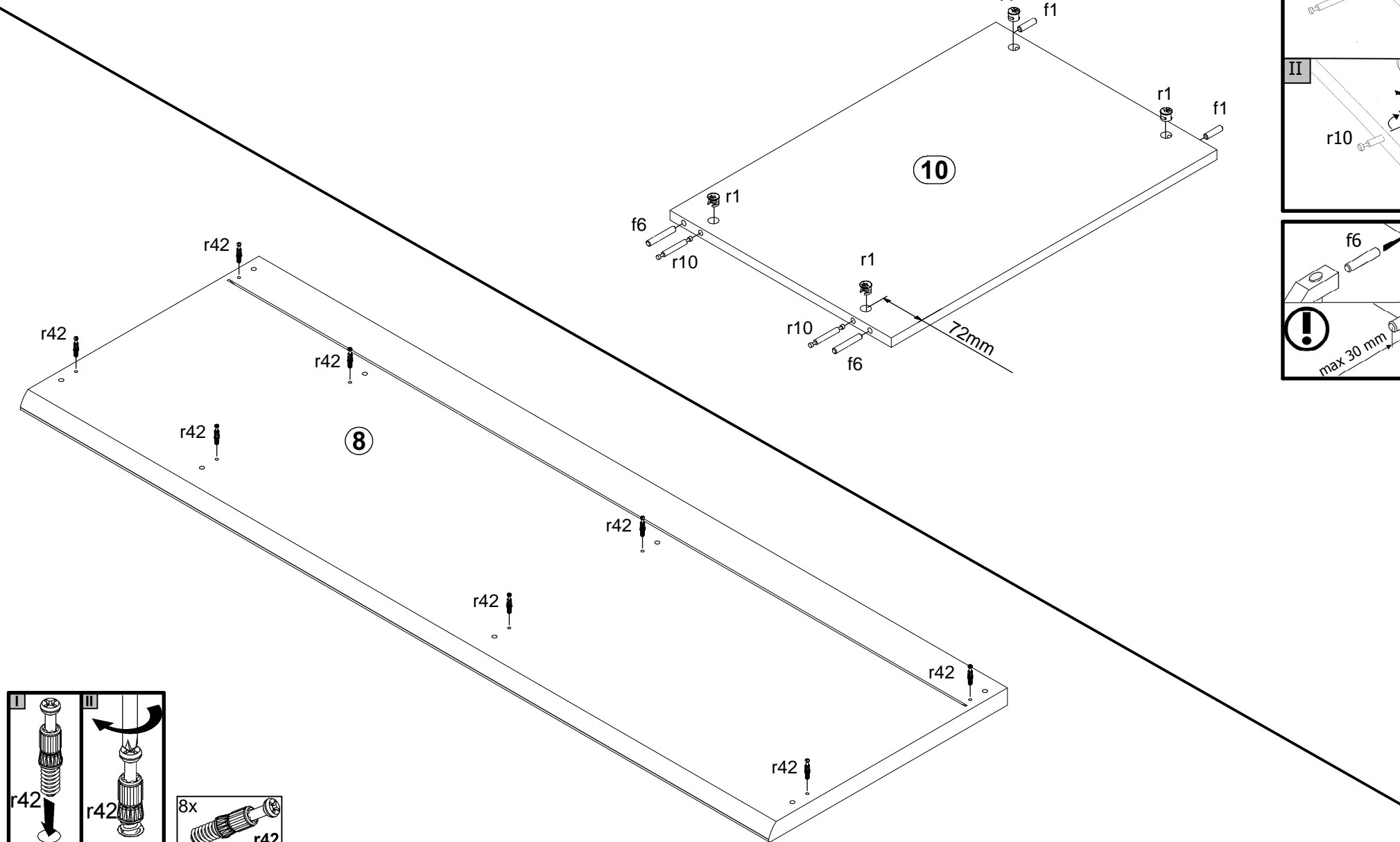
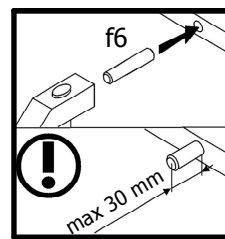
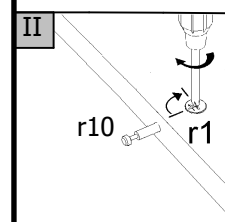
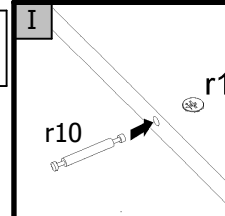
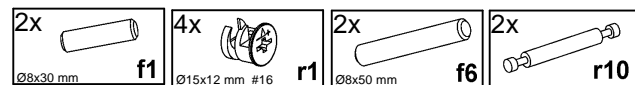


- 2x

Ø5x17 mm **d1**
- 2x

350mm **w152\2**
- 6x

Ø3,5x12mm **p140**
- 4x

Ø8x30 mm **f1**
- 2x

Ø15x12 mm #16 **r1**
- 2x

r42

1



1



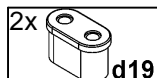
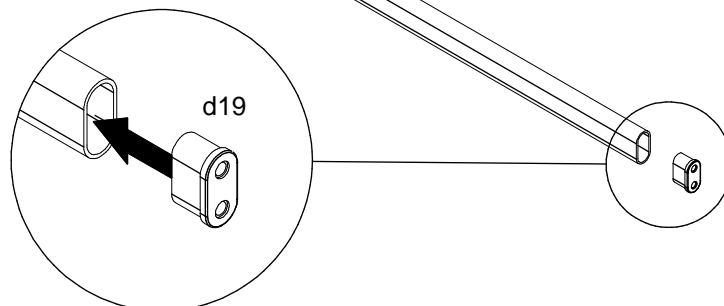
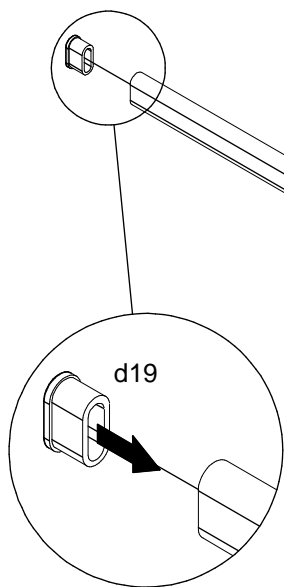
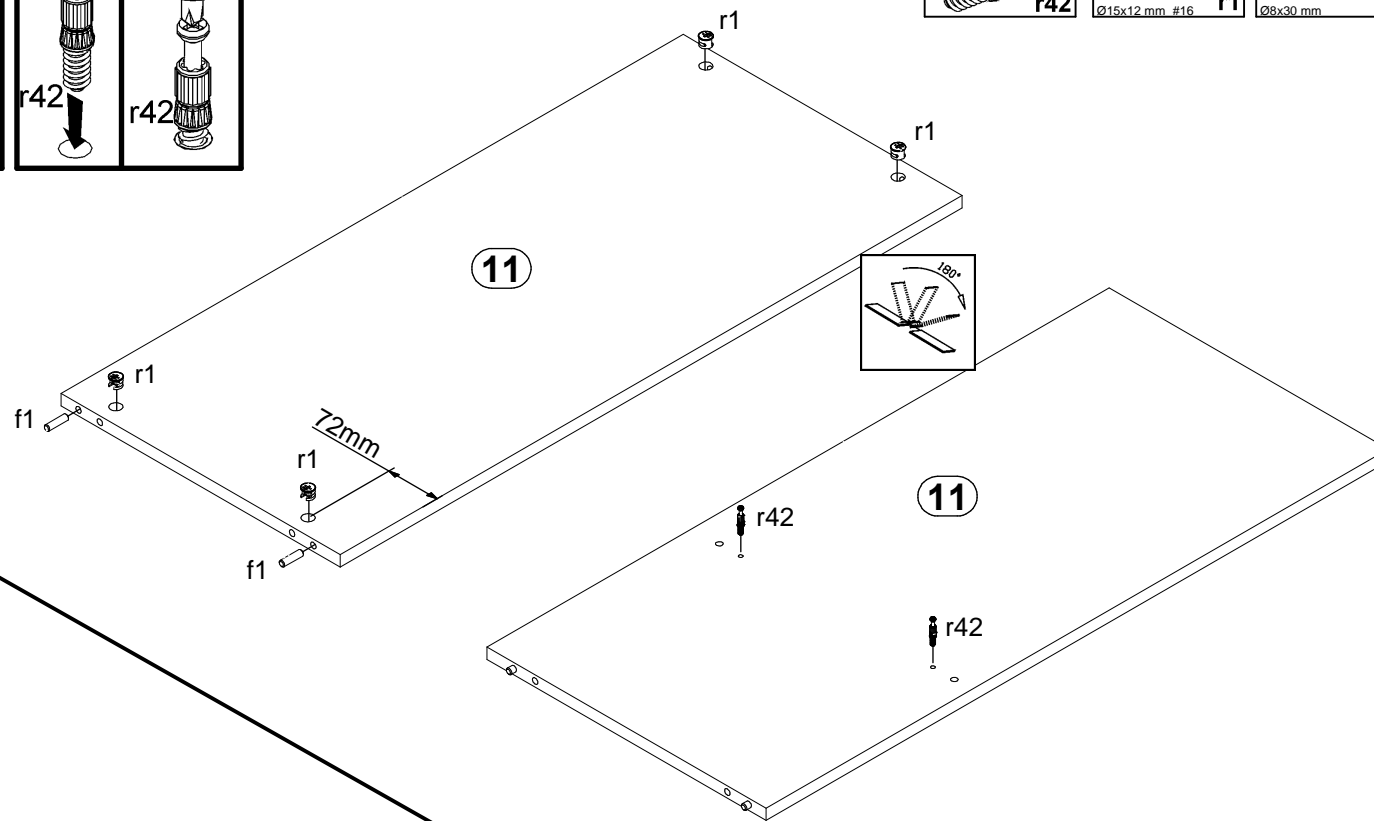
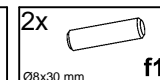
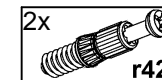
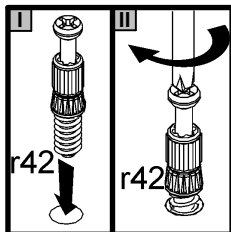
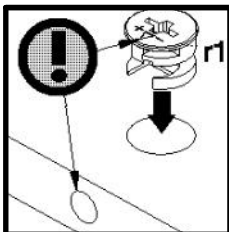
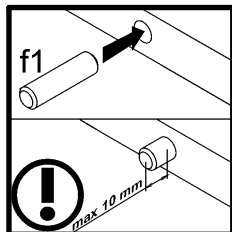
A

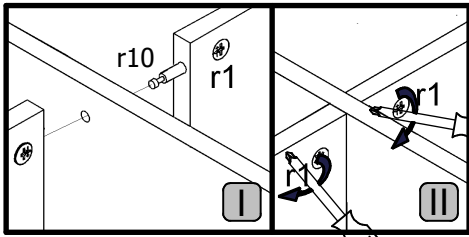
S248-RTV3S/4/16

10D0--31

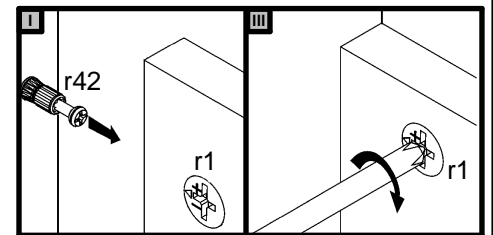
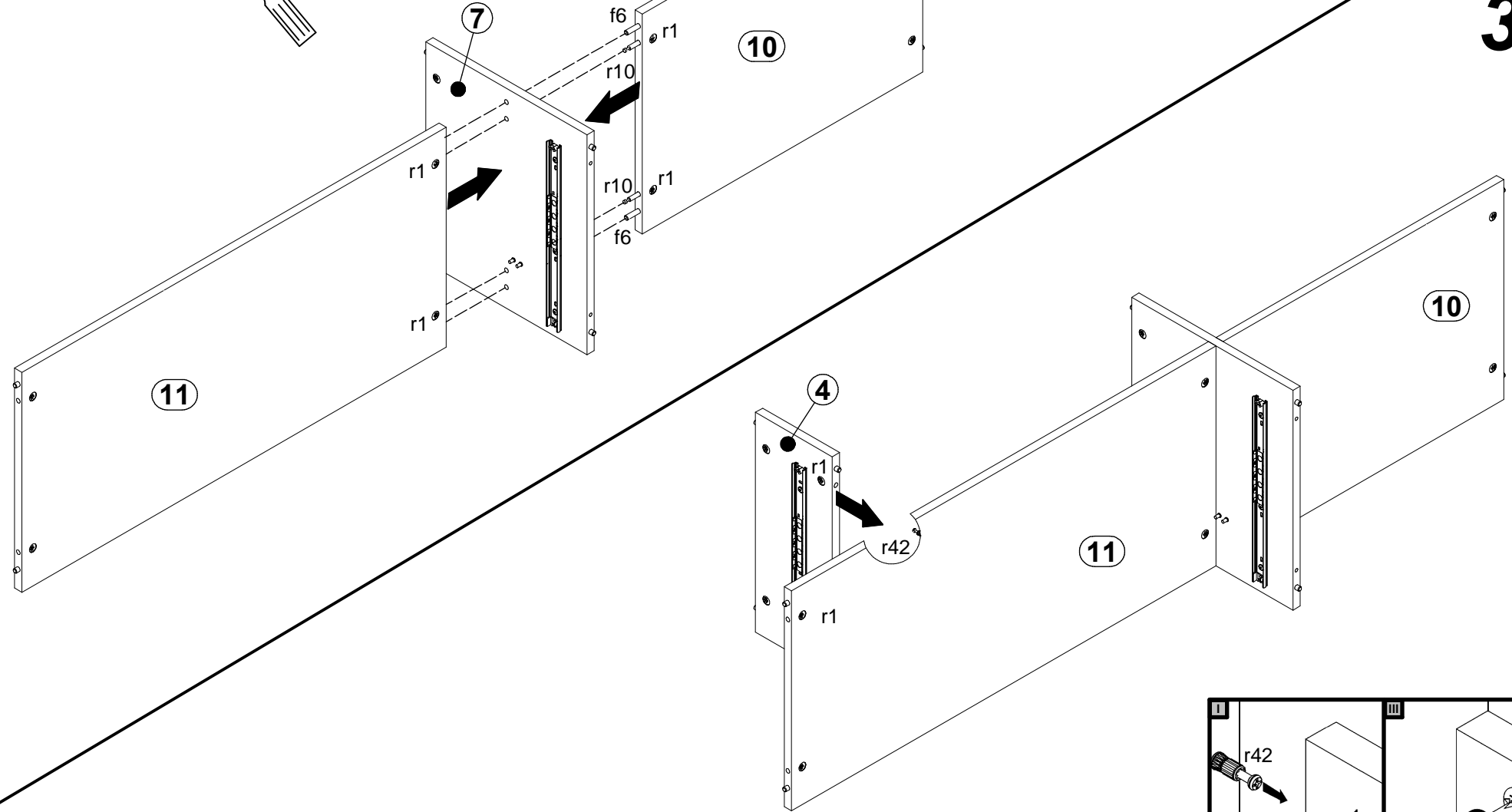
7 / 15

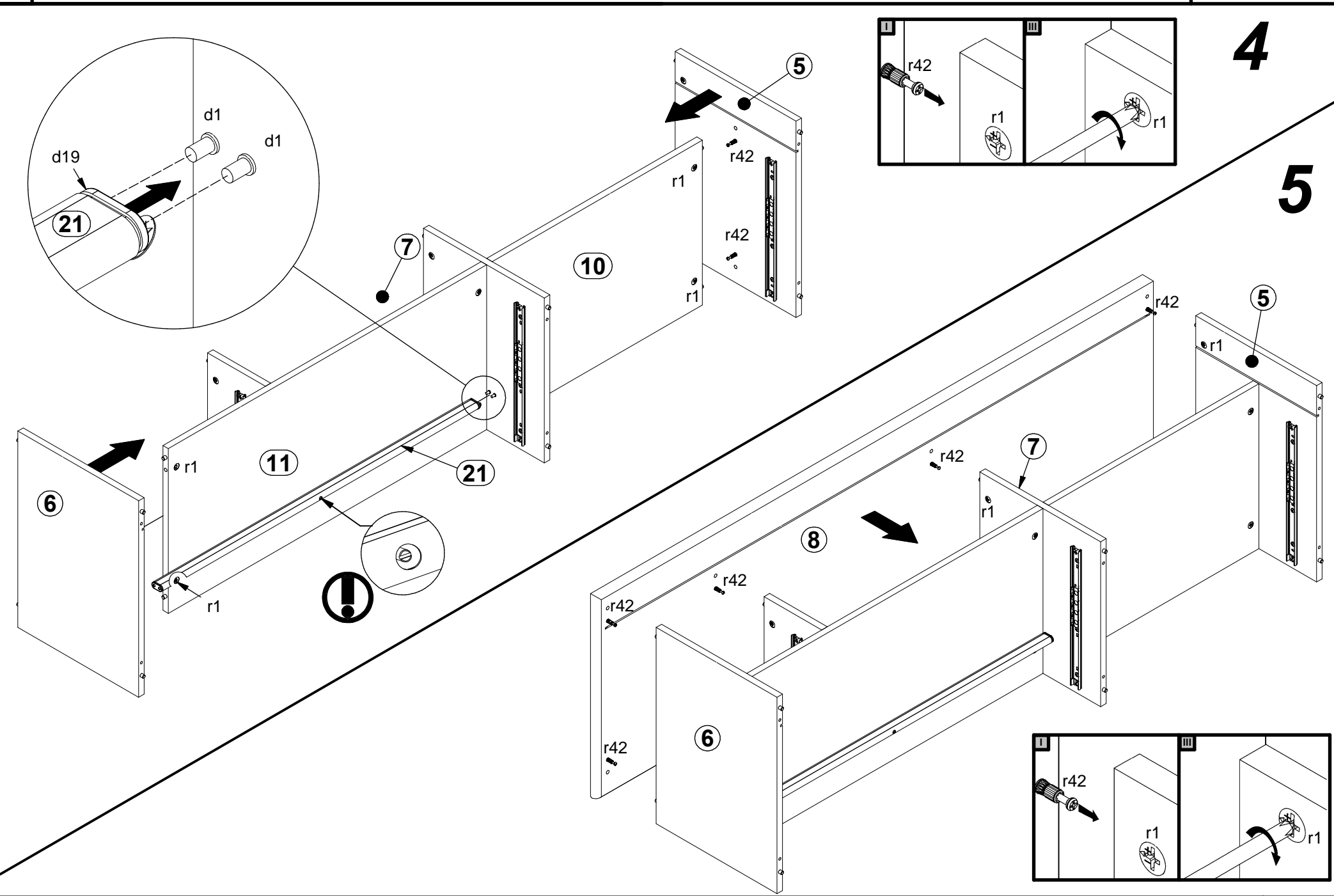
1

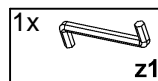
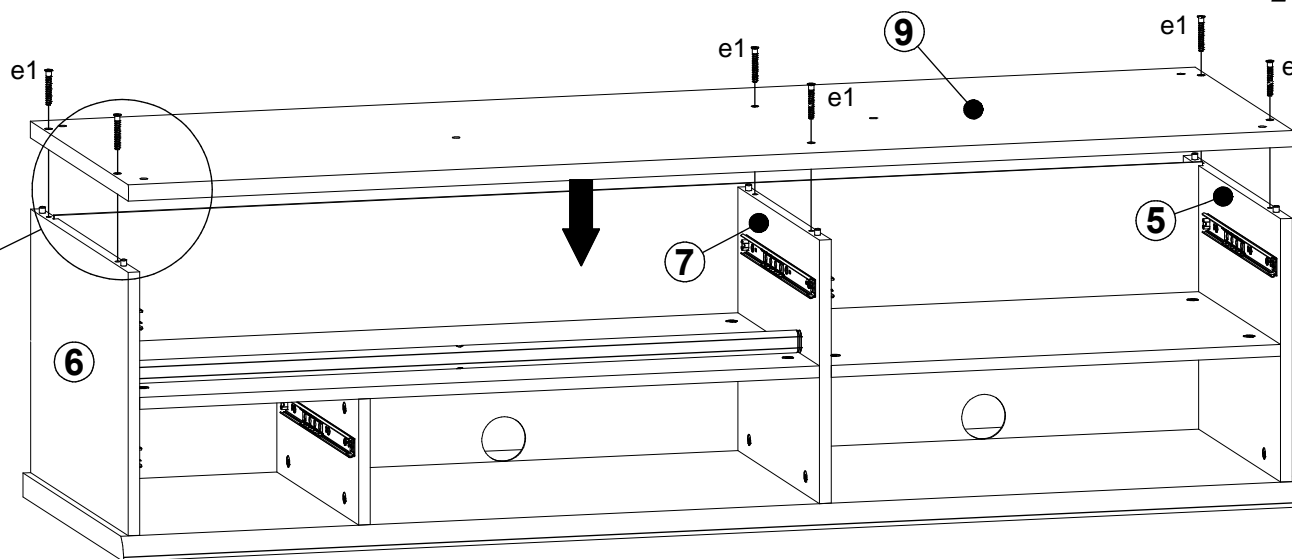
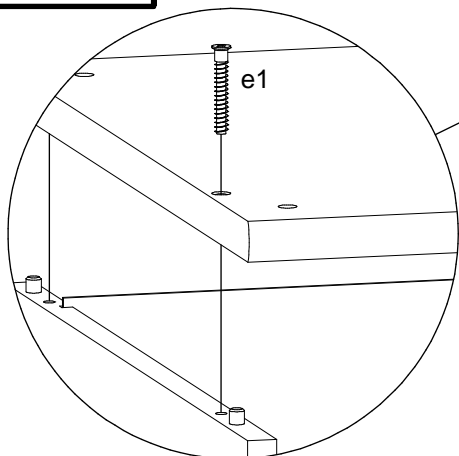
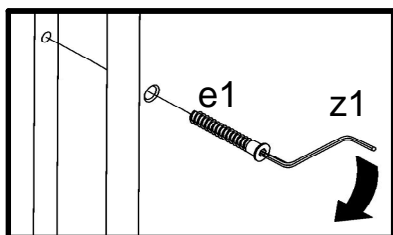
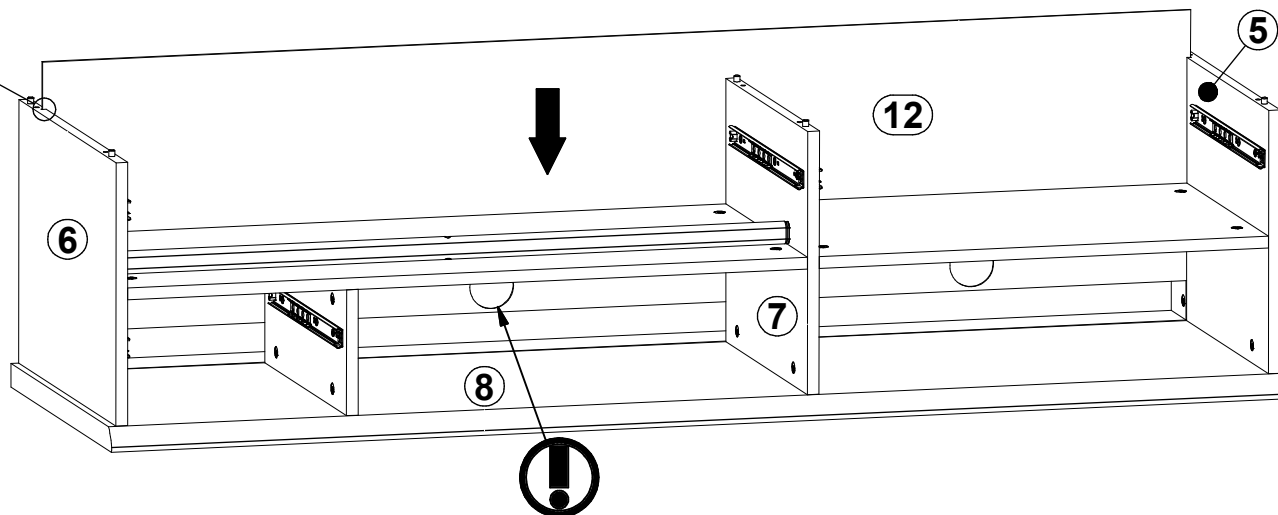
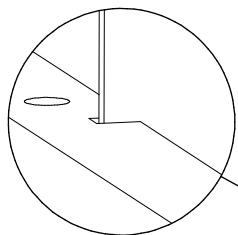


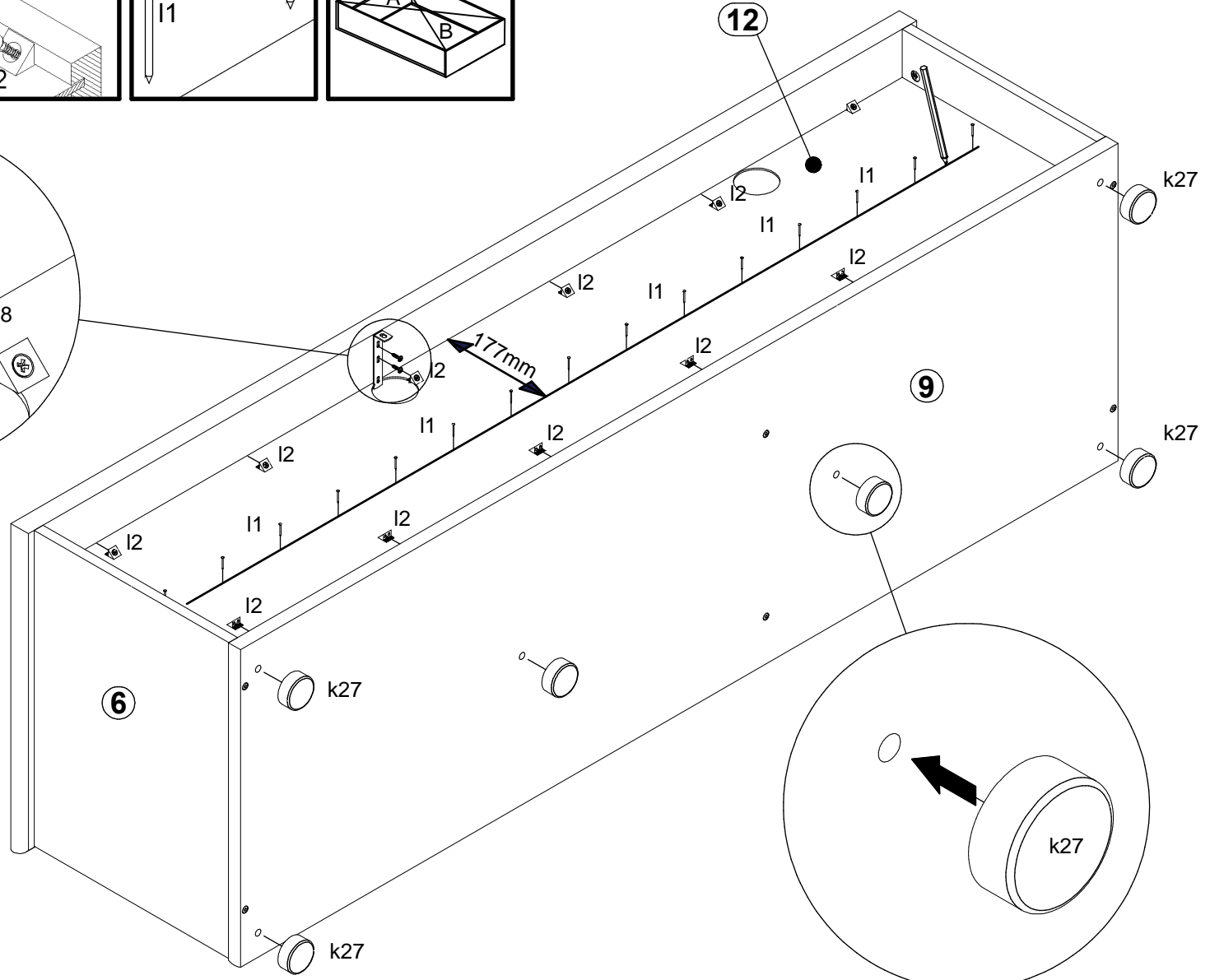
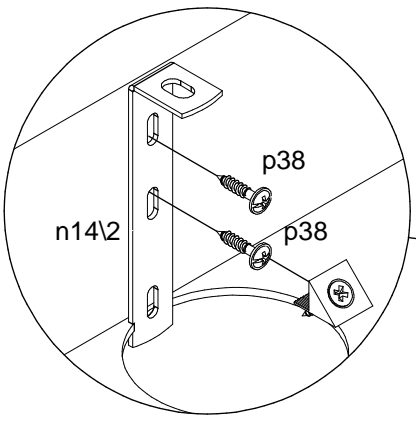
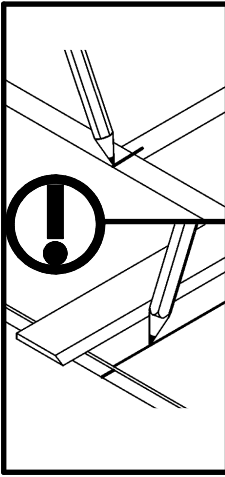
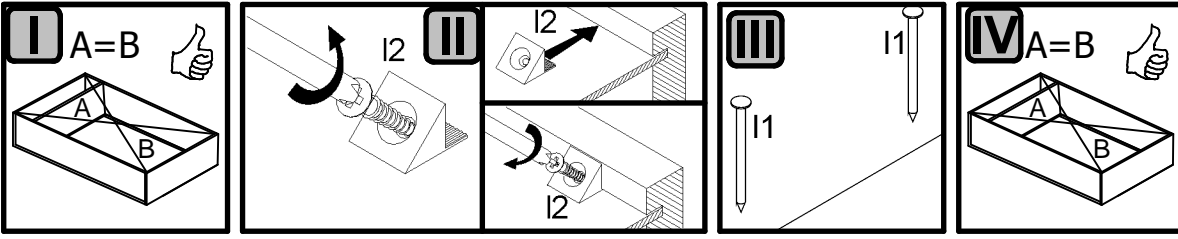


2





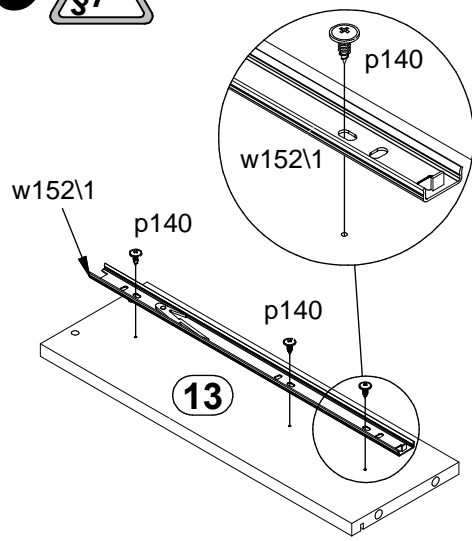




- | | | | | |
|-----------|-----------|-----------|-------------|-----------|
| 10x
I2 | 14x
I1 | 6x
k27 | 1x
n14\2 | 2x
p38 |
|-----------|-----------|-----------|-------------|-----------|

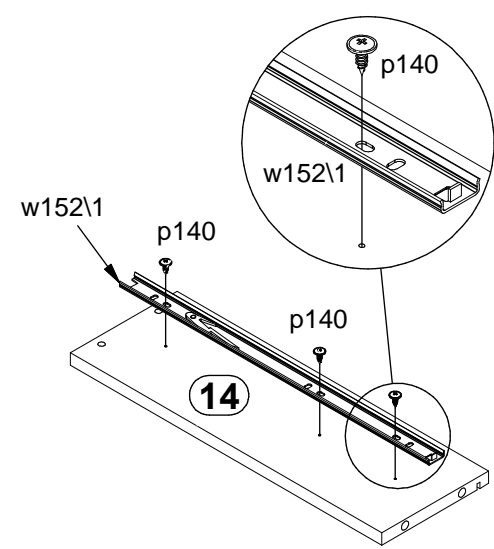
9 §7

I



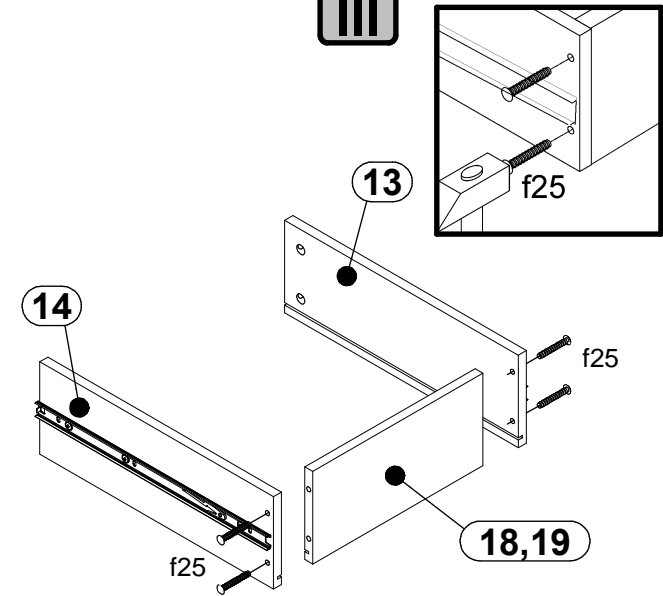
- 1x w152\1 350mm
- 3x p140 Ø3,5x12mm

II



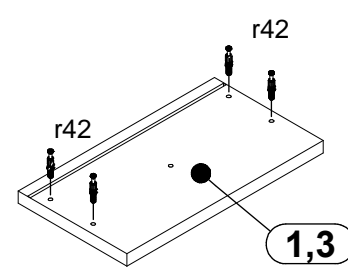
- 1x w152\1 350mm
- 3x p140 Ø3,5x12mm

III



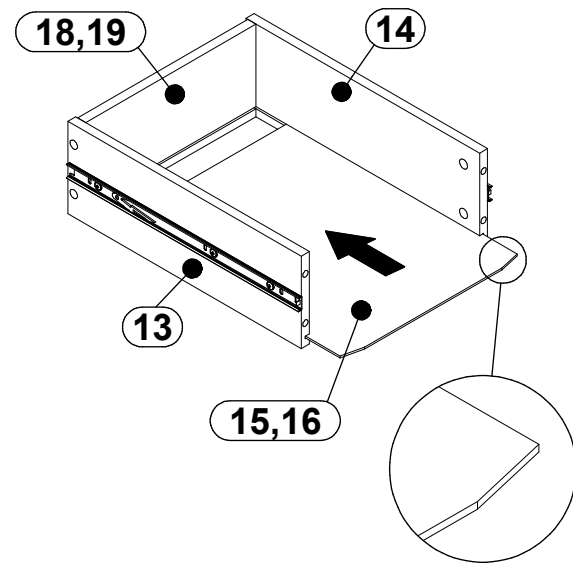
- 4x f25 Ø6,5x40 mm

IV

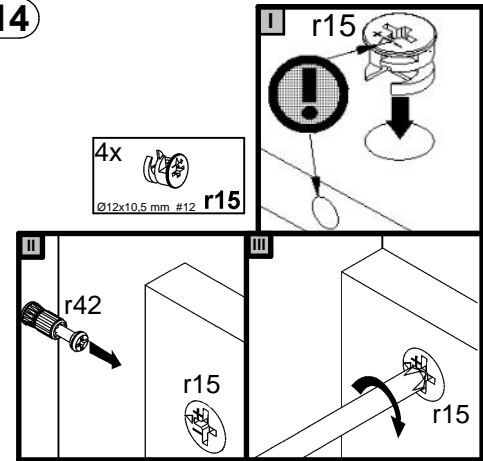
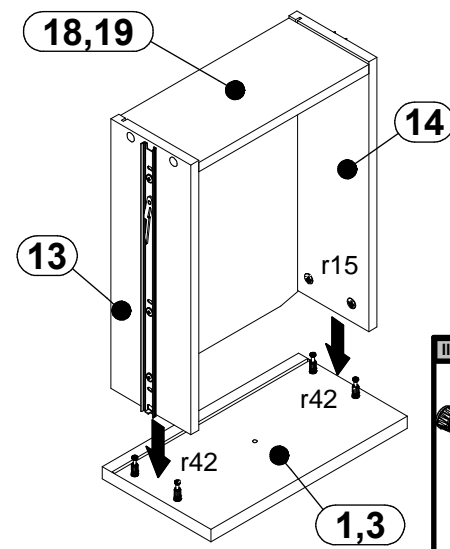


- 4x r42

V



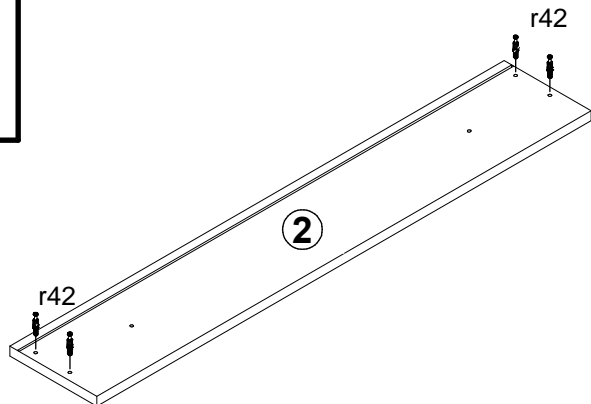
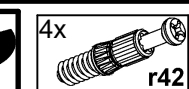
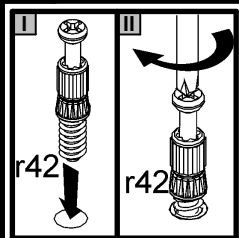
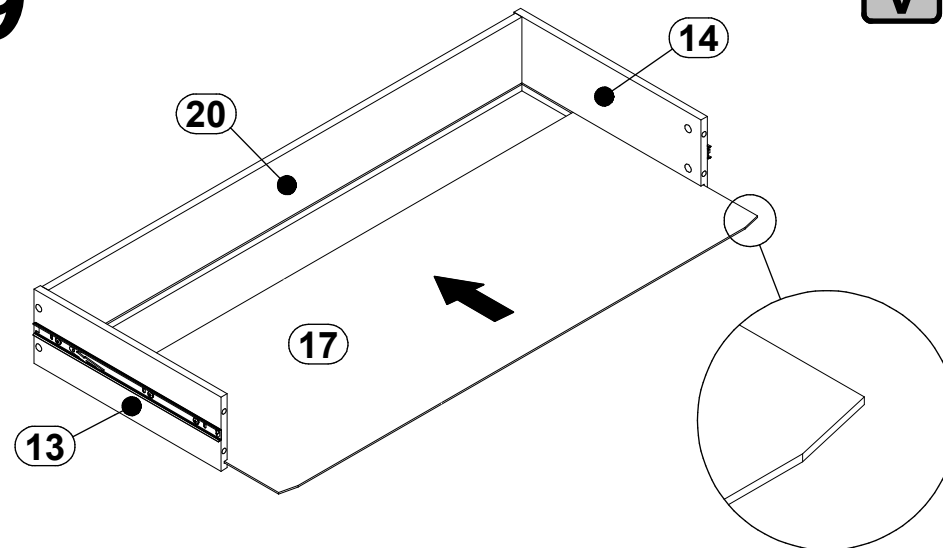
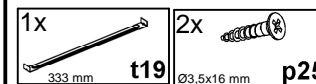
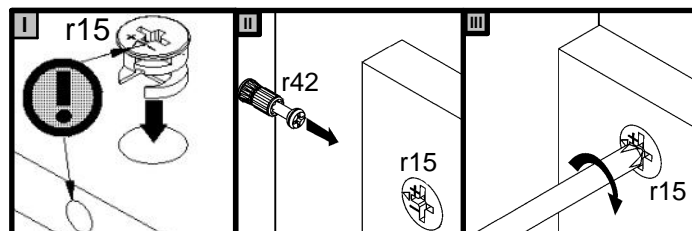
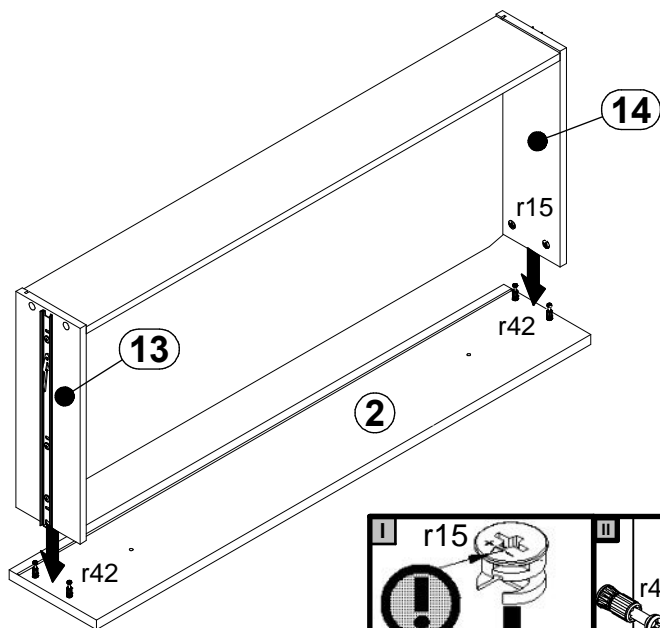
VI



- 4x r15 Ø12x10,5 mm #12

A**S248-RTV3S/4/16****10D0--31**

13 / 15

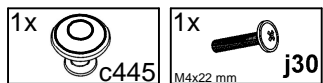
**IV****9****V****VI****VII**

A

S248-RTV3S/4/16

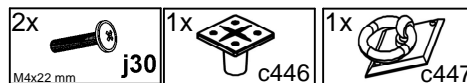
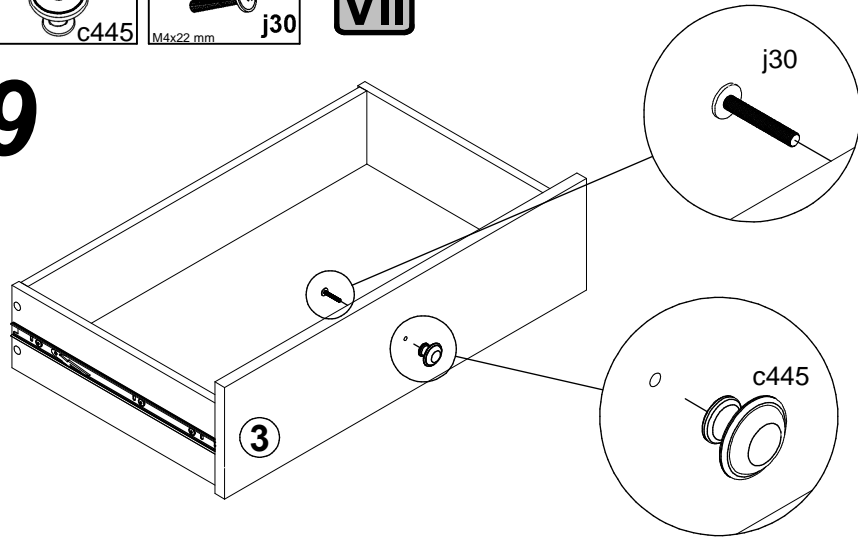
10D0--31

14 / 15



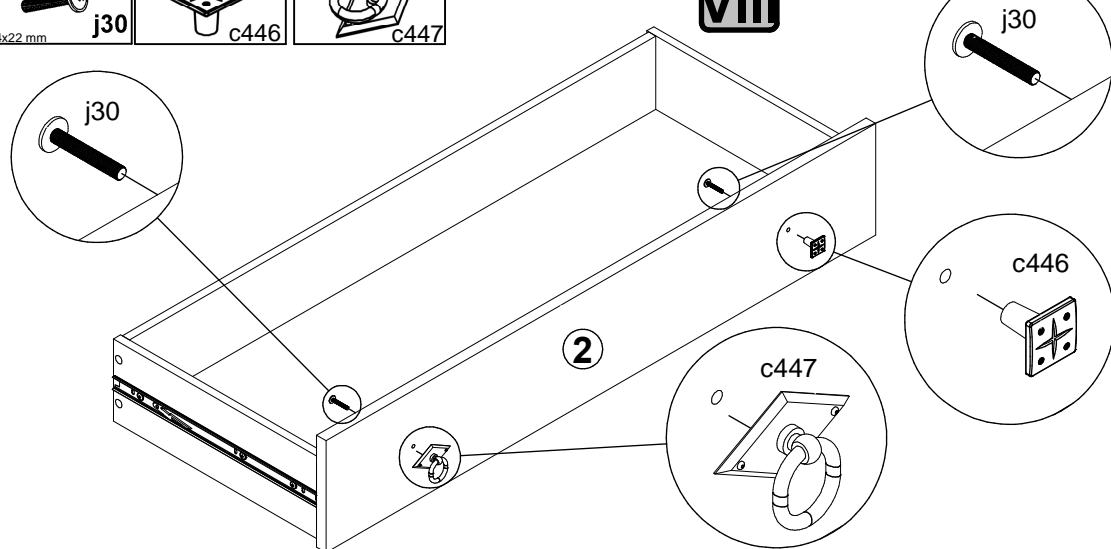
VII

9



VII

10



VII

